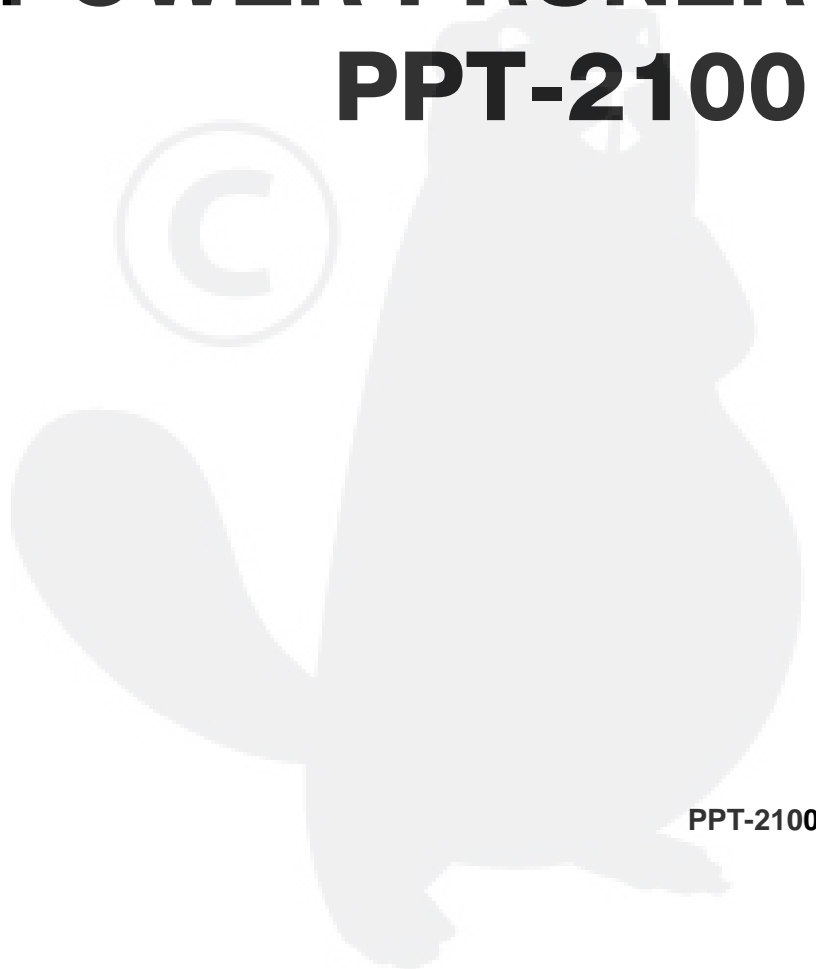
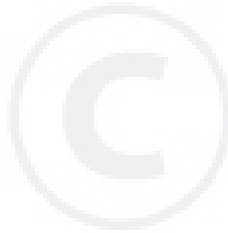




PARTS CATALOG

POWER PRUNER

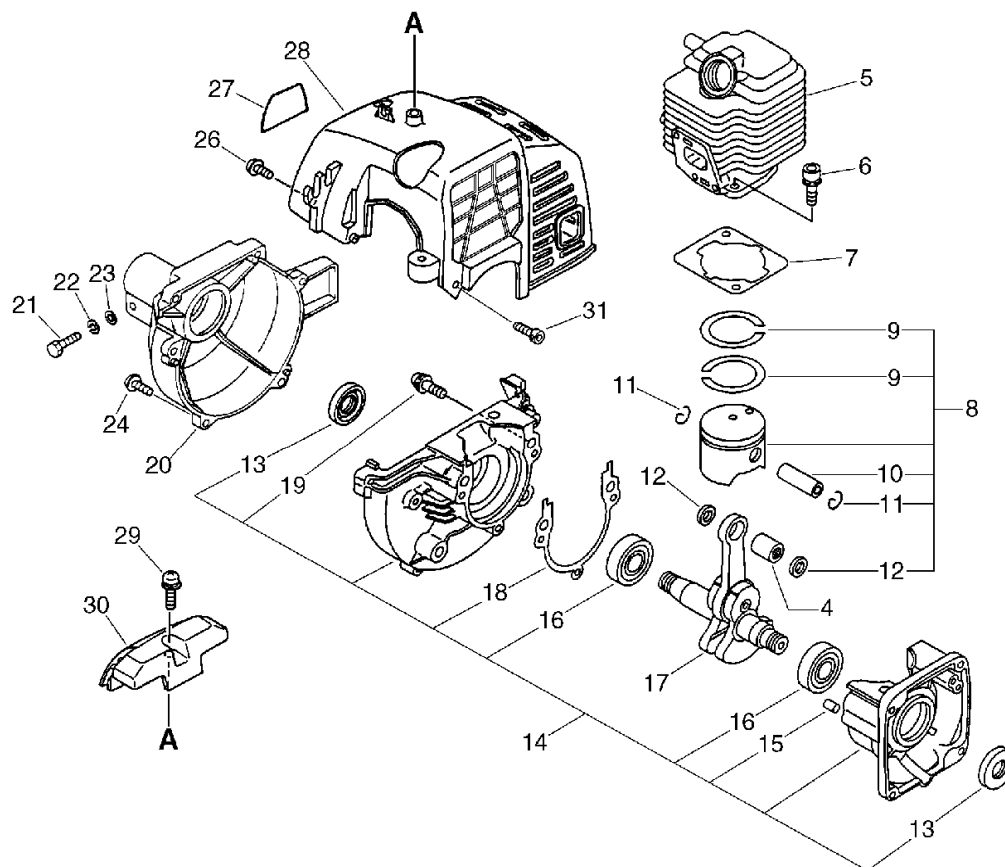
PPT-2100



PPT-2100

1. Cylinder, Crankcase, Piston, Fan Cover

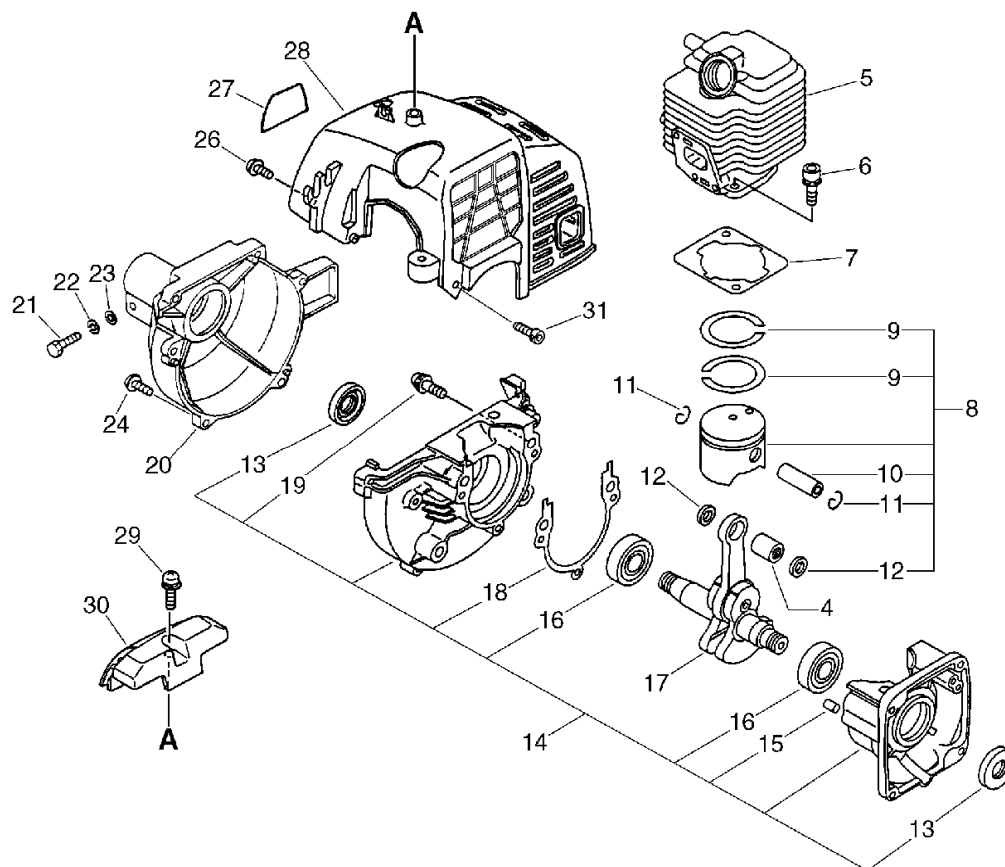
No.1



| KEY | LV | PART NUMBER | Q'TY | DESCRIPTION | REMARKS | NOTE1 | NOTE2 |
|-----|----|--------------|------|---------------------|-----------|-------------------------|-------|
| 5 | | 101011-06562 | 1 | CYLINDER | | Sr/Nr 001350 and before | |
| 5 | | A130-000010 | 1 | CYLINDER | | Sus. by A130-000011 | |
| 5 | | A130-000011 | 1 | CYLINDER | | Sr/Nr 001351 and after | |
| 6 | | 900162-05022 | 2 | BOLT, H.S. 5*22 | 5*22 W,SW | | |
| 7 | | 101010-44332 | 1 | GASKET, CYL. BASE | | | |
| 8 | | 100000-48732 | 1 | PISTON KIT | | Sr/Nr 001350 and before | |
| 8 | | P021-001101 | 1 | PISTON KIT | | Sus. by P021-001102 | |
| 8 | | P021-001102 | 1 | PISTON KIT | | Sr/Nr 001351 and after | |
| 9 | + | 100011-05330 | 2 | RING, PISTON | | Sr/Nr 001350 and before | |
| 9 | + | A101-000000 | 2 | RING,PISTON | | Sr/Nr 001351 and after | |
| 10 | + | 100013-11520 | 1 | PIN, PISTON | | | |
| 11 | + | 100015-04630 | 2 | CIRCLIP, PISTON PIN | | | |
| 12 | + | 100014-11520 | 2 | SPACER, PISTON PIN | | | |
| 14 | | 100204-52130 | 1 | CRANKCASE KIT | | Sus. by 100204-52132 | |
| 14 | | 100204-52131 | 1 | CRANKCASE KIT | | Sus. by 100204-52132 | |
| 14 | | 100204-52132 | 1 | CRANKCASE KIT | | | |

1. Cylinder, Crankcase, Piston, Fan Cover

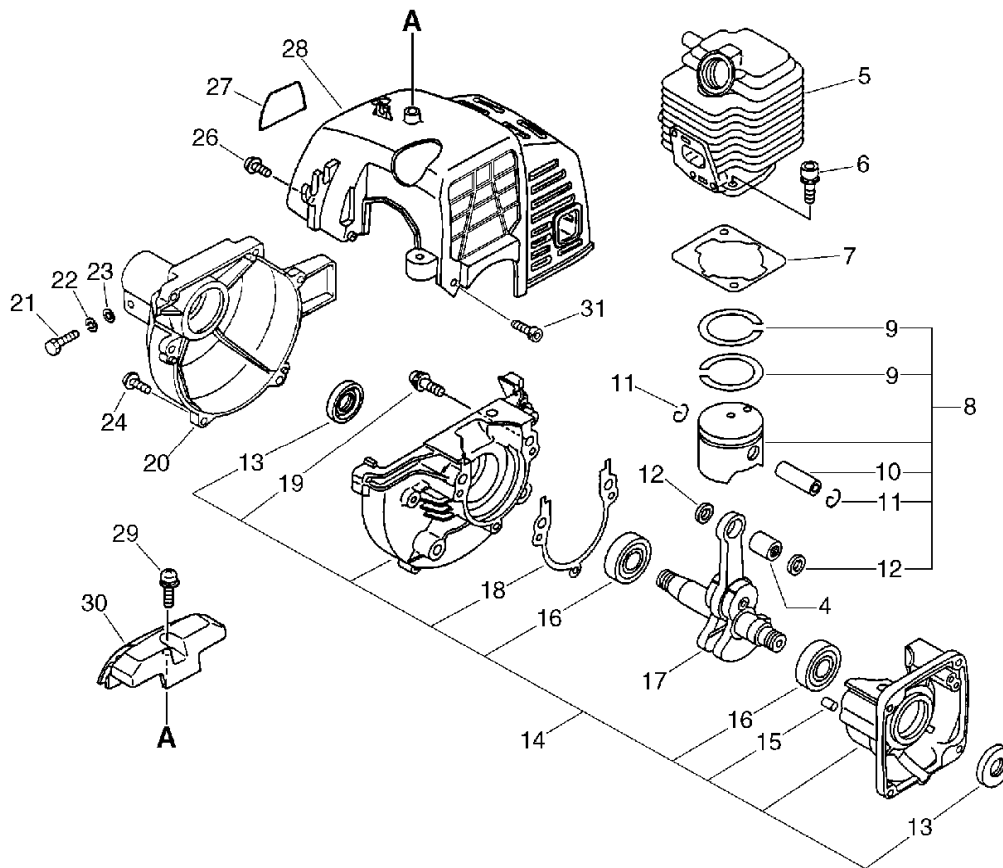
No.1



| KEY | LV | PART NUMBER | Q'TY | DESCRIPTION | REMARKS | NOTE1 | NOTE2 |
|-----|----|--------------|------|--------------------|----------------|-------------------------|-------|
| 13 | + | 100212-42030 | 2 | OILSEAL | ISCD12*22*4.5 | Sus. by 100212-42031 | |
| 13 | + | 100212-42031 | 2 | OILSEAL | ISCD 12*22*4.5 | | |
| 15 | + | 100215-03930 | 2 | PIN, DOWEL | | | |
| 16 | + | 900810-36201 | 2 | BEARING, BALL 6201 | 6201/C3 | | |
| 18 | + | 100242-42030 | 1 | GASKET, CRANKCASE | | | |
| 19 | + | 900162-05028 | 3 | BOLT, H.S. 5*28 | 5*28 W,SW | | |
| 17 | | 100100-44732 | 1 | CRANKSHAFT ASSY | | Sr/Nr 001350 and before | |
| 17 | | A011-000000 | 1 | CRANKSHAFT,ASM | | Sus. by A011-000002 | |
| 17 | | A011-000001 | 1 | CRANKSHAFT,ASM | | Sus. by A011-000002 | |
| 17 | | A011-000002 | 1 | CRANKSHAFT,ASM | | Sr/Nr 001351 and after | |
| 4 | + | 100012-51230 | 1 | BEARING, NEEDLE | 8*12*10 | Sus. by V553-000010 | |
| 4 | + | V553-000030 | 1 | BEARING,NEEDLE 8 | | Sus. by V553-000010 | |
| 4 | + | V553-000010 | 1 | BEARING,NEEDLE 8 | HK0810 | | |
| 20 | | 101511-44630 | 1 | COVER, FAN (BS) | | | |
| 21 | | 900151-05025 | 1 | BOLT 5*25 | 5*25 S45C | Sus. by 900162-05025 | |
| 21 | | 900162-05025 | 1 | BOLT, H.S. 5*25 | 5*25 W,SW | | |
| 22 | | 900605-00005 | 1 | WASHER, SPRING 5 | 5 | Disuse | |

1. Cylinder, Crankcase, Piston, Fan Cover

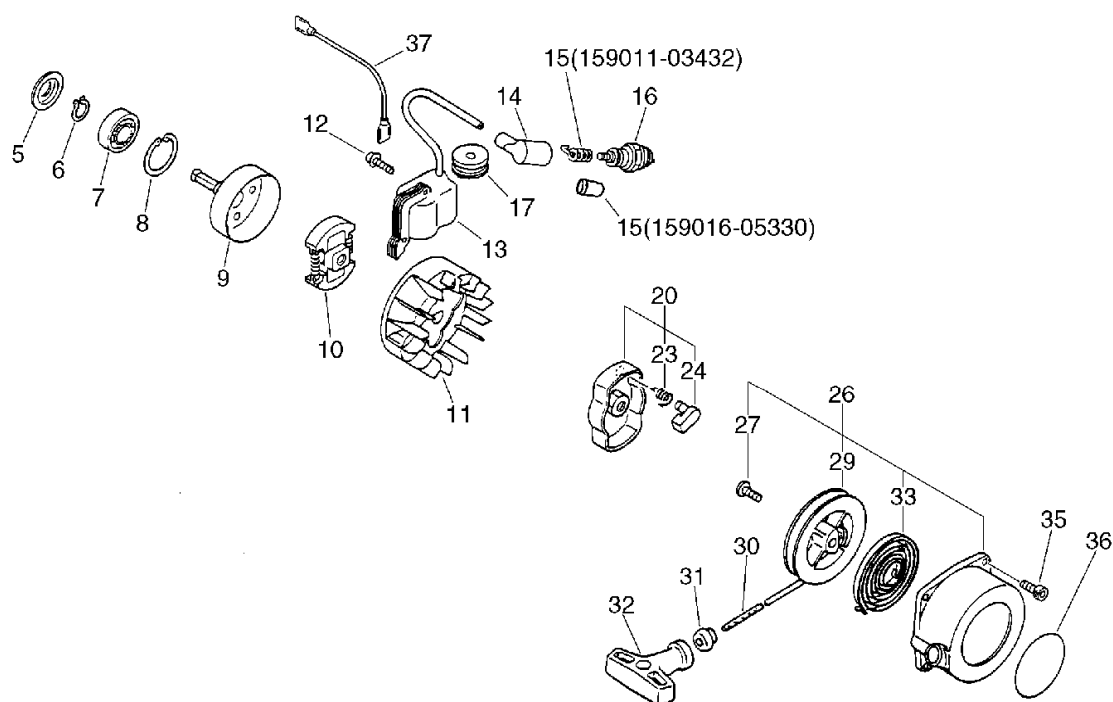
No.1



| KEY | LV | PART NUMBER | Q'TY | DESCRIPTION | REMARKS | NOTE1 | NOTE2 |
|-----|----|--------------|------|-----------------|---------|----------------------|-------|
| 23 | | 900600-00005 | 1 | WASHER 5 | 5 | Disuse | |
| 24 | | 900163-04016 | 4 | BOLT HSH | | | |
| 26 | | 900238-04012 | 2 | SCREW 4*12 | 4*12 | | |
| 27 | | 890068-24660 | 1 | LABEL, MODEL | | Sus. by 890068-24661 | |
| 27 | | 890068-24661 | 1 | LABEL, BRAND | | | |
| 28 | | 101514-44531 | 1 | COVER, CYLINDER | | | |
| 29 | | 900253-05016 | 1 | SCREW | 5*16 | | |
| 30 | | 159912-44530 | 1 | GUARD, TOP | | | |
| 31 | | 900163-04016 | 2 | BOLT HSH | | | |

2. Starter, Magneto, Clutch

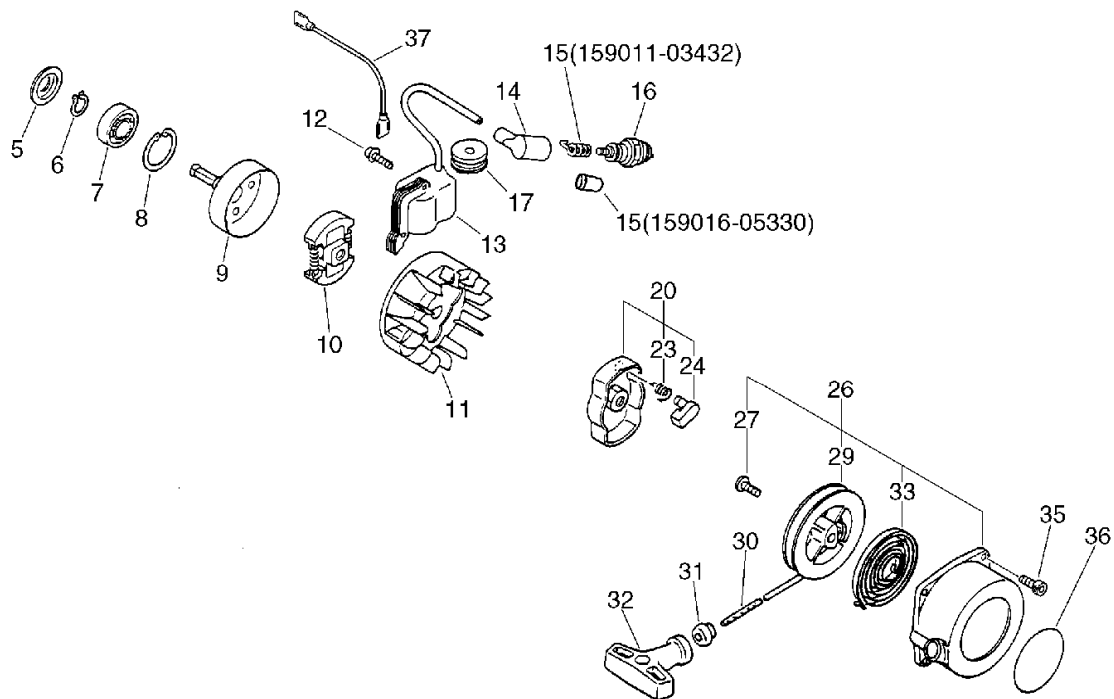
No.2



| KEY | LV | PART NUMBER | Q'TY | DESCRIPTION | REMARKS | NOTE1 | NOTE2 |
|-----|----|--------------|------|-----------------------|-----------|-------------------------|-------|
| 5 | | 175053-04920 | 1 | STOPPER | | | |
| 6 | | 900701-00012 | 1 | CIRCLIP 12 | CS-12 | | |
| 7 | | 900814-06201 | 1 | BEARING, BALL 6201 | 6201ZZ | | |
| 8 | | 900702-00032 | 1 | CIRCLIP 32 | CR-32 | | |
| 9 | | 175005-42030 | 1 | DRUM, CLUTCH | | | |
| 10 | | 175000-56830 | 1 | CLUTCH ASSY | | | |
| 11 | | 156801-09660 | 1 | FLYWHEEL | | | |
| 12 | | 900162-04022 | 2 | BOLT, H.S. 4*22 | 4*22 W,SW | | |
| 13 | | 156626-52730 | 1 | COIL, IGNITION | | | |
| 14 | | 159012-01620 | 1 | CAP, SPARK PLUG | | Sr/Nr 001250 and before | |
| 14 | | 159012-10230 | 1 | CAP, SPARK PLUG | | Sr/Nr 001251 and after | |
| 15 | | 159011-03432 | 1 | COIL, SPARK PLUG | | Sr/Nr 001250 and before | |
| 15 | | 159016-05330 | 1 | ADAPTER, PLUG CAP | | Sr/Nr 001251 and after | |
| 16 | | 159010-10230 | 1 | PLUG, SPARK (BPMR-7A) | BPMR-7A | | |
| 17 | | 150112-44330 | 1 | BUSHING | | | |
| 20 | | 177202-44330 | 1 | PAWL ASSY, STARTER | | Sus. by 177202-44331 | |
| 20 | | 177202-44331 | 1 | PAWL ASM., STARTER | | | |
| 23 | + | 177234-42030 | 1 | SPRING, RETURN | | | |
| 24 | + | 177218-44330 | 1 | PAWL, STARTER | BLACK | | |
| 26 | | 177200-42033 | 1 | STARTER ASSY | | | |
| 27 | + | 177236-44330 | 1 | SCREW | | | |

2. Starter, Magneto, Clutch

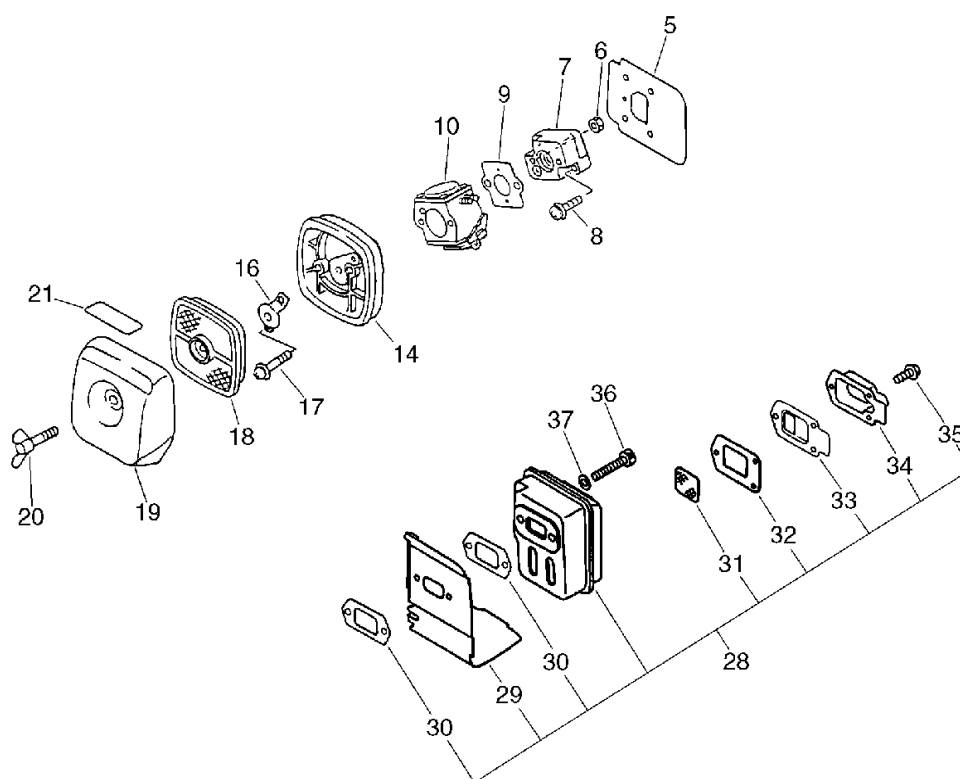
No.2



| KEY | LV | PART NUMBER | Q'TY | DESCRIPTION | REMARKS | NOTE1 | NOTE2 |
|-----|----|--------------|------|----------------|----------|-------|-------|
| 29 | + | 177215-44430 | 1 | DRUM, STARTER | | | |
| 30 | + | 177226-10120 | 1 | ROPE, STARTER | 3.0*1000 | | |
| 31 | + | 177227-42030 | 1 | GUIDE, ROPE | | | |
| 32 | + | 177228-06530 | 1 | GRIP, STARTER | | | |
| 33 | + | 177220-42030 | 1 | SPRING, REWIND | | | |
| 35 | | 900163-04016 | 2 | BOLT HSH | | | |
| 36 | | 890118-49130 | 1 | LABEL, ECHO | | | |
| 37 | | 162010-52830 | 1 | LEAD, GROUND | | | |

3. Air Cleaner, Muffler

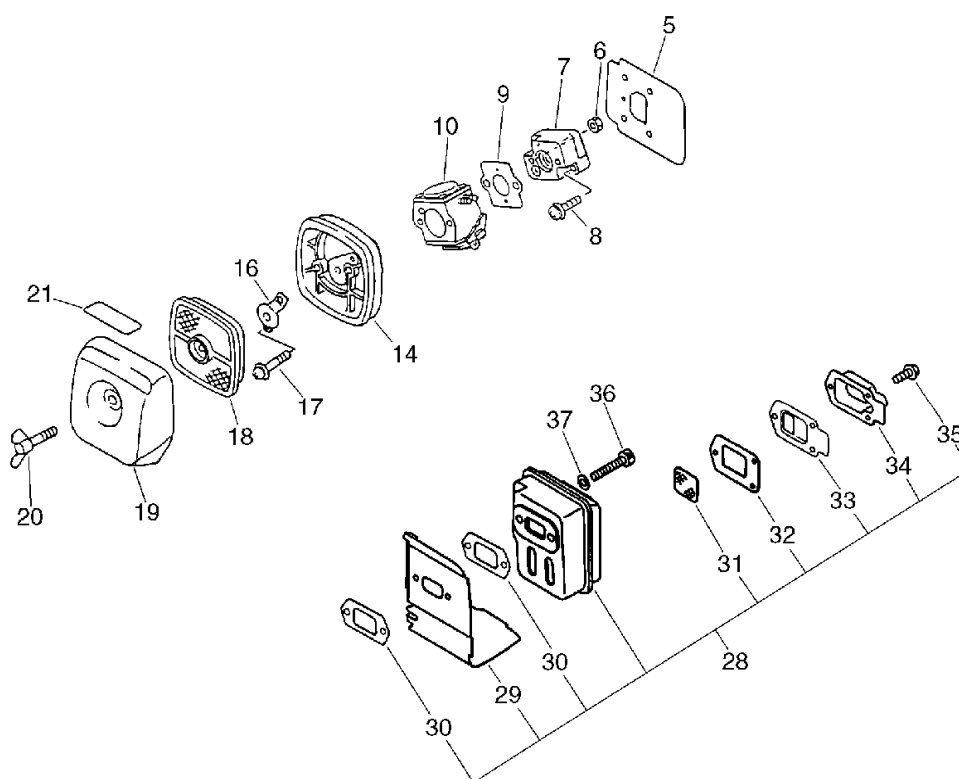
No.3



| KEY | LV | PART NUMBER | Q'TY | DESCRIPTION | REMARKS | NOTE1 | NOTE2 |
|-----|----|--------------|------|--------------------|---------|----------------------|-------|
| 5 | | 130010-42032 | 1 | GASKET,INTAKE | | | |
| 6 | | 900500-00005 | 2 | NUT 5 | 5 | | |
| 7 | | 130017-42031 | 1 | INSULATOR, INTAKE | | | |
| 8 | | 900238-05020 | 2 | SCREW 5*20 | 5*20 | | |
| 9 | | V103-000111 | 1 | GASKET,INTAKE | | Sus. by 130016-42031 | |
| 9 | | 130016-42031 | 1 | GASKET, INTAKE | | | |
| 10 | | 125200-13311 | 1 | CARBURETOR C1U-K52 | C1U-K52 | Sus. by 125200-13314 | |
| 10 | | 125200-13312 | 1 | CARBURETOR | C1U-K52 | Sus. by 125200-13314 | |
| 10 | | 125200-13313 | 1 | CARBURETOR | C1U-K52 | Sus. by 125200-13314 | |
| 10 | | 125200-13314 | 1 | CARBURETOR | C1U-K52 | | |
| 14 | | 130307-06761 | 1 | CASE,AIR CLEANER | | Sus. by P021-002921 | |
| 14 | | P021-004260 | 1 | CASE, AIR CLEANER | | | |
| 16 | | 129011-52730 | 1 | PLATE, PREVENT | | | |
| 17 | | 900242-05065 | 2 | SCREW 5*65 | 5*65 | | |
| 18 | | 130310-54130 | 1 | FILTER, AIR | | | |
| 19 | | 130313-05863 | 1 | LID, AIR CLEANER | | | |
| 20 | | 210417-52730 | 1 | BOLT, WING | 5*20 | | |
| 21 | | 890121-06360 | 1 | LABEL, CHOKE | | Sus. by 890121-05360 | |
| 21 | | 890121-05360 | 1 | LABEL, METERING | | | |

3. Air Cleaner, Muffler

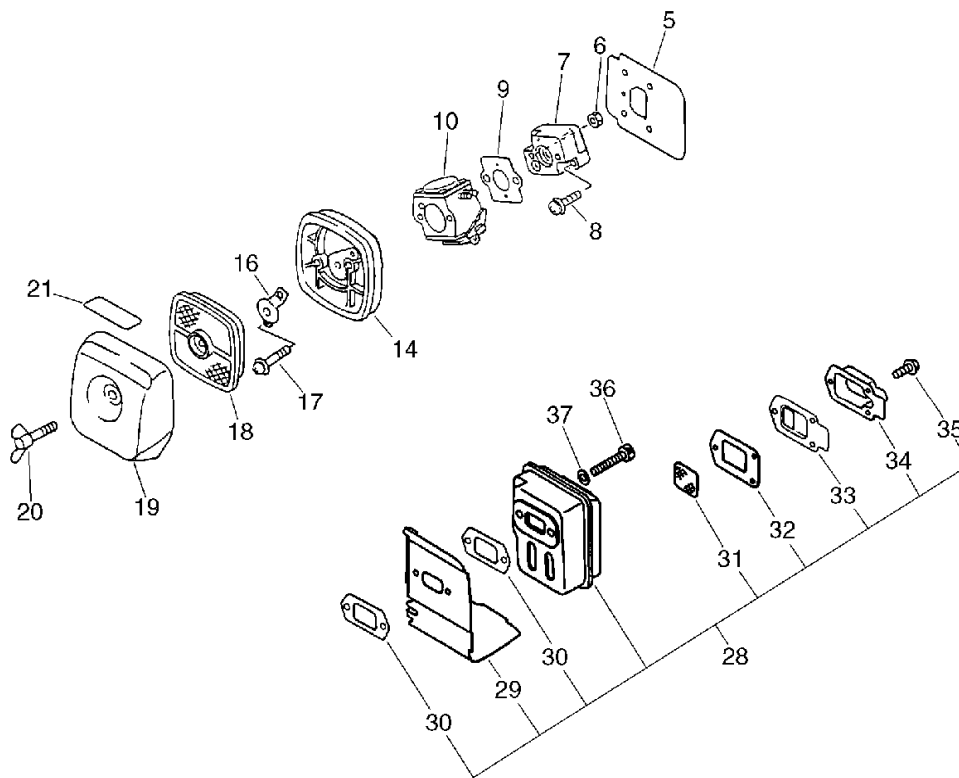
No.3



| KEY | LV | PART NUMBER | Q'TY | DESCRIPTION | REMARKS | NOTE1 | NOTE2 |
|-----|----|--------------|------|---------------------|---------|-------------------------|-------|
| 28 | | 145800-54130 | 1 | MUFFLER ASSY | | Sr/Nr 001350 and before | |
| 28 | | P021-000310 | 1 | MUFFLER ASY | | Sus. by P021-000314 | |
| 28 | | P021-000311 | 1 | MUFFLER ASY | | Sus. by P021-000314 | |
| 28 | | P021-000312 | 1 | MUFFLER ASY | | Sus. by P021-000314 | |
| 28 | | P021-000313 | 1 | MUFFLER ASY | | Sus. by P021-000314 | |
| 28 | | P021-000314 | 1 | MUFFLER ASY | | Sr/Nr 001351 and after | |
| 29 | + | 145871-44331 | 1 | COVER, MUFFLER | | Sus. by A320-000251 | |
| 29 | + | A320-000250 | 1 | COVER, MUFFLER | | Sus. by A320-000251 | |
| 29 | + | A320-000251 | 1 | COVER, MUFFLER | | | |
| 30 | + | 145510-42031 | 2 | GASKET, MUFFLER | | | |
| 31 | + | 145862-40630 | 1 | SCREEN, MUFFLER | | | |
| 32 | + | 145866-42031 | 1 | GASKET, MUFFLER LID | | Sr/Nr 001350 and before | |
| 32 | + | V104-000001 | 1 | GASKET, EXHAUST | | Sus. by V104-000003 | |
| 32 | + | V104-000002 | 1 | GASKET, EXHAUST | | Sus. by V104-000003 | |

3. Air Cleaner, Muffler

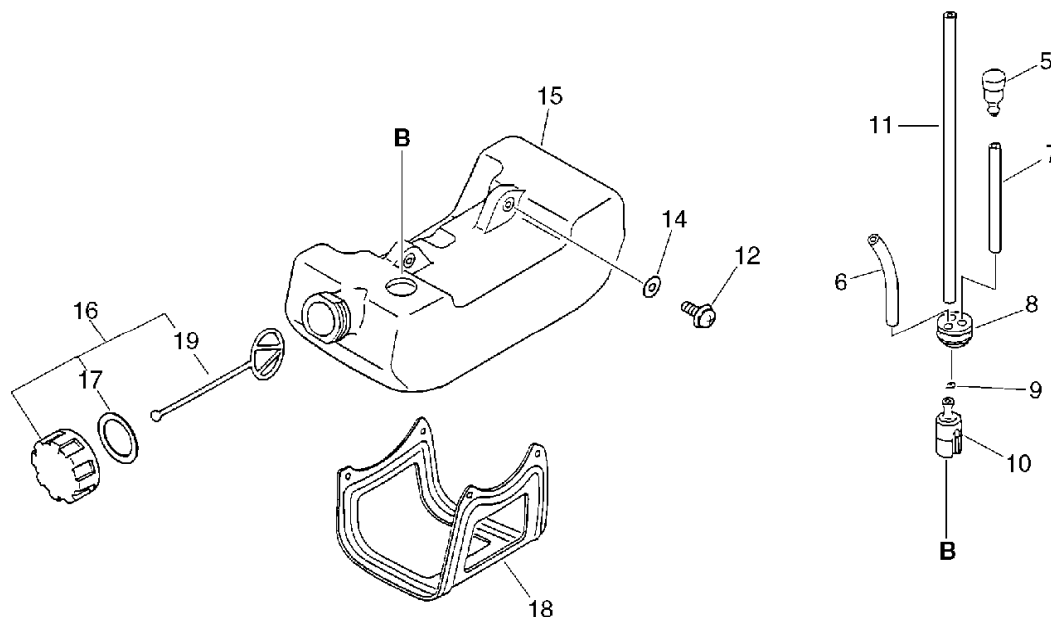
No.3



| KEY | LV | PART NUMBER | Q'TY | DESCRIPTION | REMARKS | NOTE1 | NOTE2 |
|-----|----|--------------|------|------------------|---------|-------------------------|-------|
| 32 | + | V104-000003 | 1 | GASKET,EXHAUST | | Sr/Nr 001351 and after | |
| 33 | + | 145876-42030 | 1 | LID, MUFFLER (B) | | | |
| 34 | + | 145863-54130 | 1 | FIXTURE, SCREEN | | Sr/Nr 001350 and before | |
| 34 | + | A313-000000 | 1 | GUIDE,EXH | | Sr/Nr 001351 and after | |
| 35 | + | 900238-04010 | 3 | SCREW 4*10 | 4*10 | | |
| 36 | | 900105-05055 | 2 | BOLT, H.S. 5*55 | 5*55 | | |
| 37 | | 900600-00005 | 2 | WASHER 5 | 5 | | |

4. Fuel Tank

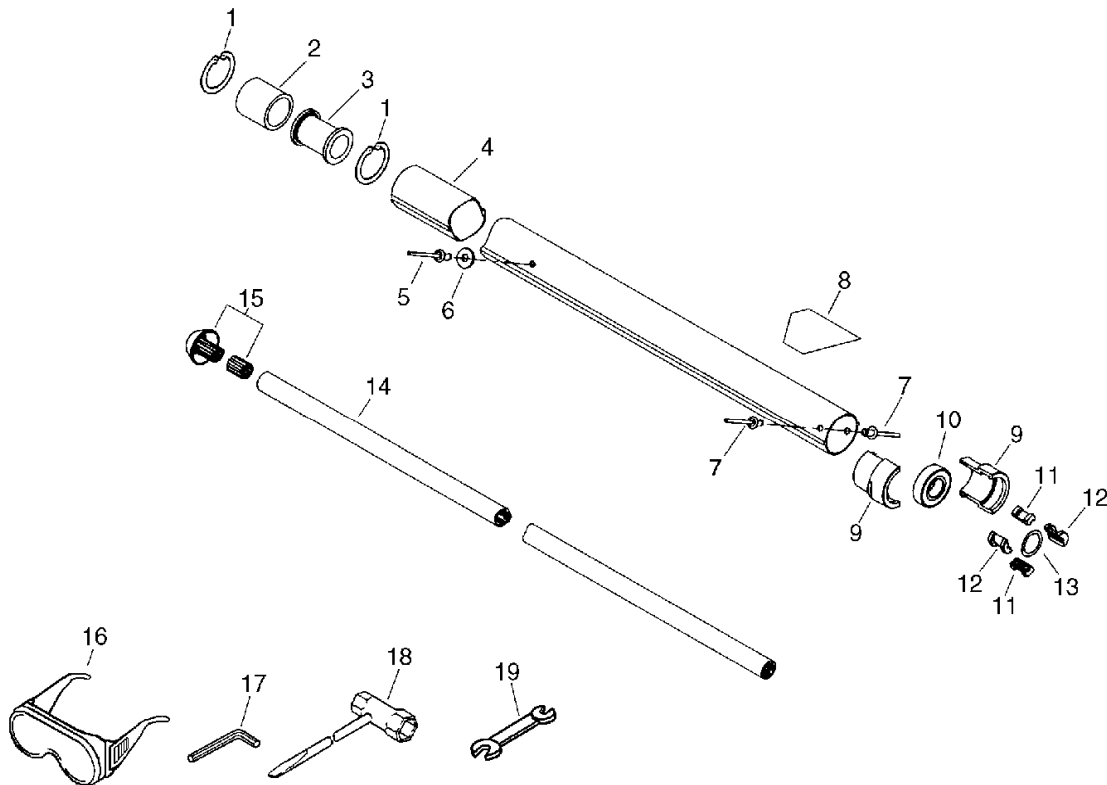
No.4



| KEY | LV | PART NUMBER | Q'TY | DESCRIPTION | REMARKS | NOTE1 | NOTE2 |
|-----|----|--------------|------|---------------------|---------------|----------------------|-------|
| 5 | | 131300-56430 | 1 | VALVE, CHECK | | Sus. by A356-000030 | |
| 5 | | A356-000030 | 1 | VALVE,CHECK | | | |
| 6 | | 132010-56330 | 1 | PIPE 3*6*90 | 3*6*90 YL | | |
| 7 | | 131312-39130 | 1 | PIPE | 3*5*70(+3)NBR | Sus. by V471-001200 | |
| 7 | | V471-001200 | 1 | PIPE | 3*5*70 NBR | | |
| 8 | | 132115-46730 | 1 | GROMMET, FUEL | | Sus. by V137-000030 | |
| 8 | | V137-000030 | 1 | GROMMET,FUEL | | | |
| 9 | | 132013-09820 | 1 | CLIP | 6MM | | |
| 10 | | 131205-07320 | 1 | STRAINER, FUEL | | | |
| 11 | | 132010-13930 | 1 | PIPE, FUEL | 3*5*180L NBR | Sus. by V471-001190 | |
| 11 | | V471-001190 | 1 | PIPE | 3*5*180 NBR | | |
| 12 | | 900238-05016 | 2 | SCREW 5*16 | 5*16 | | |
| 14 | | 900603-00005 | 2 | WASHER 5 | 5.5*12*0.8 | | |
| 15 | | 131005-46830 | 1 | TANK, FUEL | | Sus. by 131005-46831 | |
| 15 | | 131005-46831 | 1 | TANK, FUEL | | | |
| 16 | | 131004-55830 | 1 | CAP ASSY, FUEL TANK | | Sus. by 131004-08960 | |
| 16 | | 131004-08960 | 1 | CAP ASSY, FUEL | | | |
| 17 | + | 131016-55830 | 1 | GASKET, FUEL CAP | | | |
| 19 | + | 131051-52430 | 1 | CONNECTOR, CAP | 80L | | |
| 18 | | 305110-42030 | 1 | STAND (BL) | | | |

5. Pipe, Tools

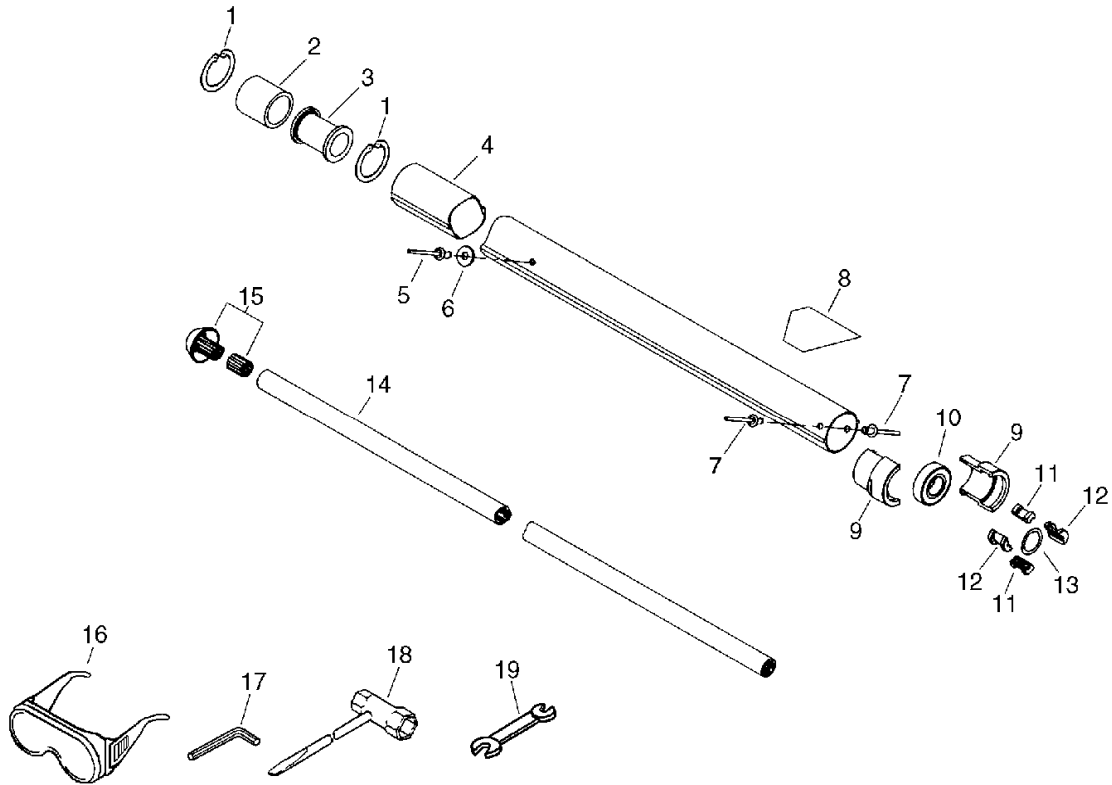
No.5



| KEY | LV | PART NUMBER | Q'TY | DESCRIPTION | REMARKS | NOTE1 | NOTE2 |
|-----|----|--------------|------|--------------------|--------------|----------------------|-------|
| 1 | | 610335-22360 | 2 | RING | | Sus. by 610335-22460 | |
| 1 | | 610335-22460 | 2 | RING | | | |
| 2 | | 104293-22360 | 1 | PAD, FOAM | | TT No.0436 | |
| 3 | | 433345-22360 | 1 | GUIDE, SHAFT | | Sus. by 433345-22361 | |
| 3 | | 433345-22361 | 1 | GUIDE, SHAFT | | | |
| 4 | | 610210-22360 | 1 | PIPE, MAIN | | Sus. by 610210-22361 | |
| 4 | | 610210-22361 | 1 | PIPE, MAIN | | | |
| 5 | | 890011-22460 | 1 | RIVET | | TT No.45200 | |
| 6 | | 400111-22360 | 1 | WASHER | | TT No.0021.18 | |
| 7 | | 890011-22360 | 2 | RIVET | | TT No.0021.15 | |
| 8 | | 890160-22660 | 1 | LABEL, CAUTION | | | |
| 9 | | 610111-22360 | 2 | HOLDER, BEARING | | TT No.0100 | |
| 10 | | 900802-06002 | 1 | BEARING, BALL 6002 | 6002DDU(LLU) | TT No.0116 | |
| 11 | | 433345-22460 | 2 | GUIDE, SHAFT | | TT No.20150 | |
| 12 | | 433345-22560 | 2 | GUIDE, SHAFT | | TT No.20151 | |
| 13 | | 178129-22360 | 1 | WASHER | | TT No.0152 | |
| 14 | | 610011-22360 | 1 | SHAFT, DRIVE | | TT No.0009 | |
| 15 | | 610298-22360 | 1 | SOCKET, SHAFT | | TT No.0144 | |
| 16 | | 899580-40930 | 1 | GOGGLE | | Sus. by 899580-68730 | |
| 16 | | 899580-68730 | 1 | SAFETY GLASSES | | | |

5. Pipe, Tools

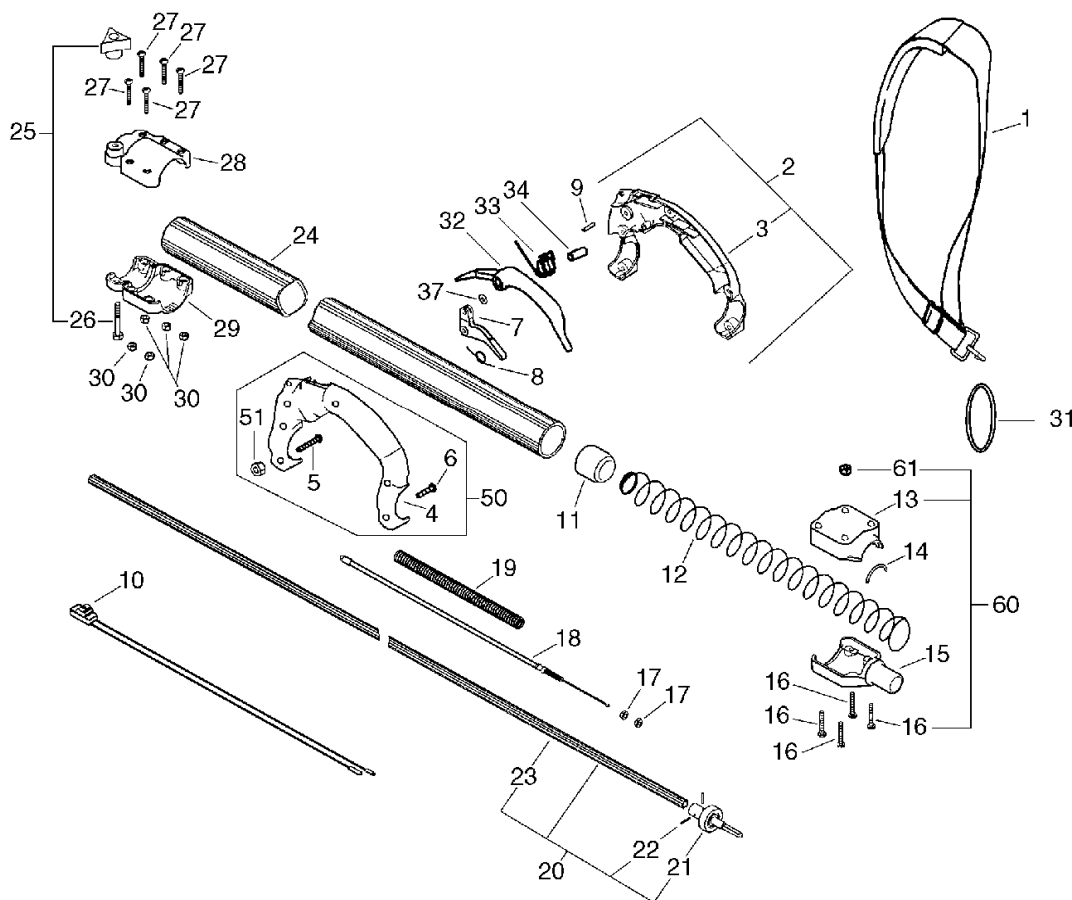
No.5



| KEY | LV | PART NUMBER | Q'TY | DESCRIPTION | REMARKS | NOTE1 | NOTE2 |
|-----|----|--------------|------|--------------------|---------|------------------------------------|-------|
| 17 | | 895612-03430 | 1 | L-WRENCH (3MM) | | TT No.0272 Sus. by 895610-00130 | |
| 17 | | 895610-00130 | 1 | L-WRENCH (4MM) | | | |
| 18 | | 895415-22160 | 1 | WRENCH, SPCKET | | Sus. by 895410-39131 | |
| 18 | | 895410-39130 | 1 | WRENCH, W/S-DRIVER | | Sus. by 895410-39131 | |
| 18 | | 895410-39131 | 1 | WRENCH, W/S-DRIVER | | | |
| 19 | | 895415-22260 | 1 | SPANNER | | Sus. by 895112-00330 | |
| 19 | | 895112-00330 | 1 | SPANNER 8*10 | | | |
| 20 | | 895112-00330 | 1 | SPANNER 8*10 | | | |

6. Handle

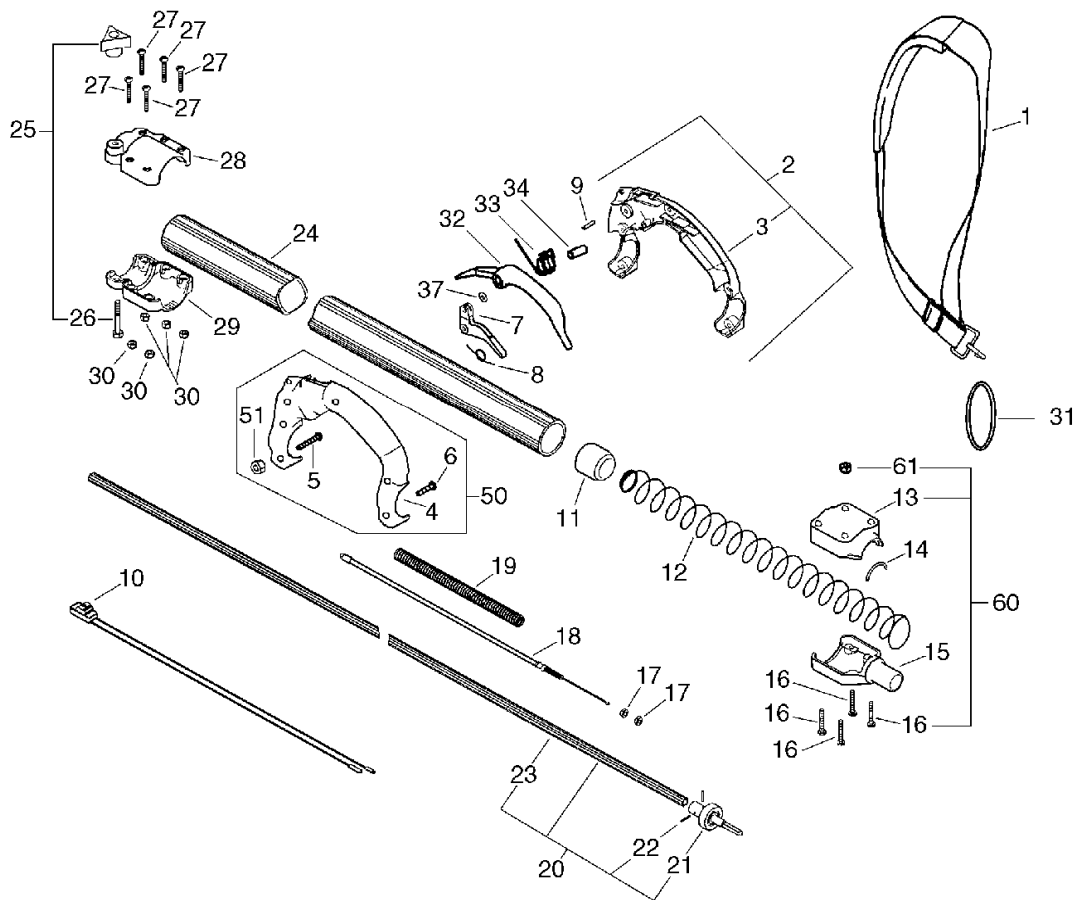
No.6



| KEY | LV | PART NUMBER | Q'TY | DESCRIPTION | REMARKS | NOTE1 | NOTE2 |
|-----|----|--------------|------|---------------------|---------|---|-------|
| 1 | | 301000-22060 | 1 | HARNES ASY,SHOULDER | | TT No.0023 | |
| 2 | | 351100-22560 | 1 | HANDLE ASY, REAR | | Sus. by 351100-22362 | |
| 2 | | 351100-22360 | 1 | HANDLE SET, REAR | | Sus. by 351100-22362 | |
| 2 | | 351100-22361 | 1 | HANDLE SET, REAR | | Sus. by 351100-22362 | |
| 2 | | 351100-22362 | 1 | HANDLE SET, REAR | | | |
| 3 | + | 351129-22360 | 1 | HANDLE, REAR | | TT No.0170 Sr/Nr 001250 and before | |
| 3 | + | 351110-22560 | 1 | HANDLE, REAR | | Sus. by 351110-22561 | |
| 3 | + | 351110-22561 | 1 | HANDLE, REAR | | Sr/Nr 001251 and after | |
| 4 | + | 351101-22360 | 1 | HANDLE REAR | | TT No.0017 Sr/Nr 001250 and before | |
| 4 | + | 351101-22560 | 1 | HANDLE , REAR | | Sus. by P021-003531 | |
| 4 | + | 351101-22561 | 1 | HANDLE, REAR | | Sus. by P021-003531 | |
| 5 | + | 900053-00400 | 4 | SCREW | | TT No.45140 Can be used on 351100-22560,-22360 only | |

6. Handle

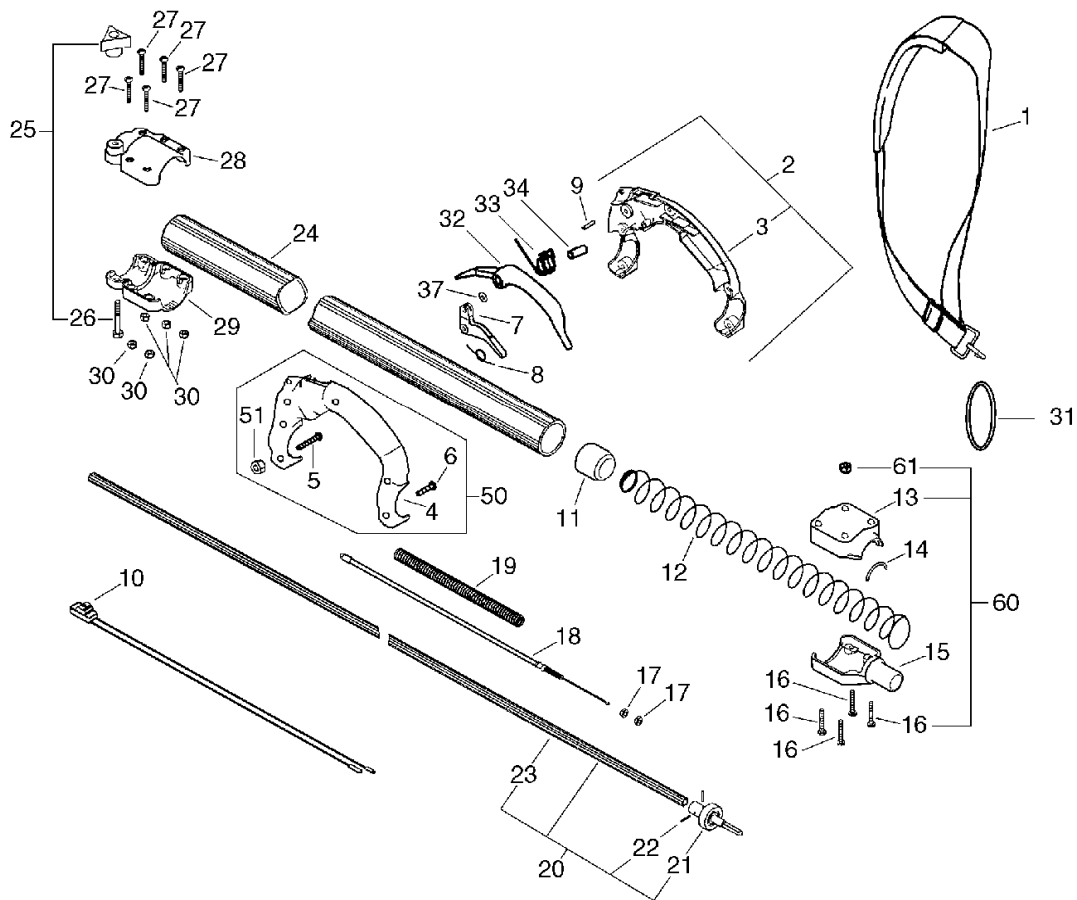
No.6



| KEY | LV | PART NUMBER | Q'TY | DESCRIPTION | REMARKS | NOTE1 | NOTE2 |
|-----|----|--------------|------|-------------|---------|---|-------|
| 6 | + | 900053-00300 | 2 | SCREW | | | |
| 50 | + | P021-003530 | 1 | HANDLE ASY | | TT No.45130 Can be used on 351100-22560,-22360 only | |
| 50 | + | P021-003531 | 1 | HANDLE ASY | | Sus. by P021-003531 | |

7. Handle

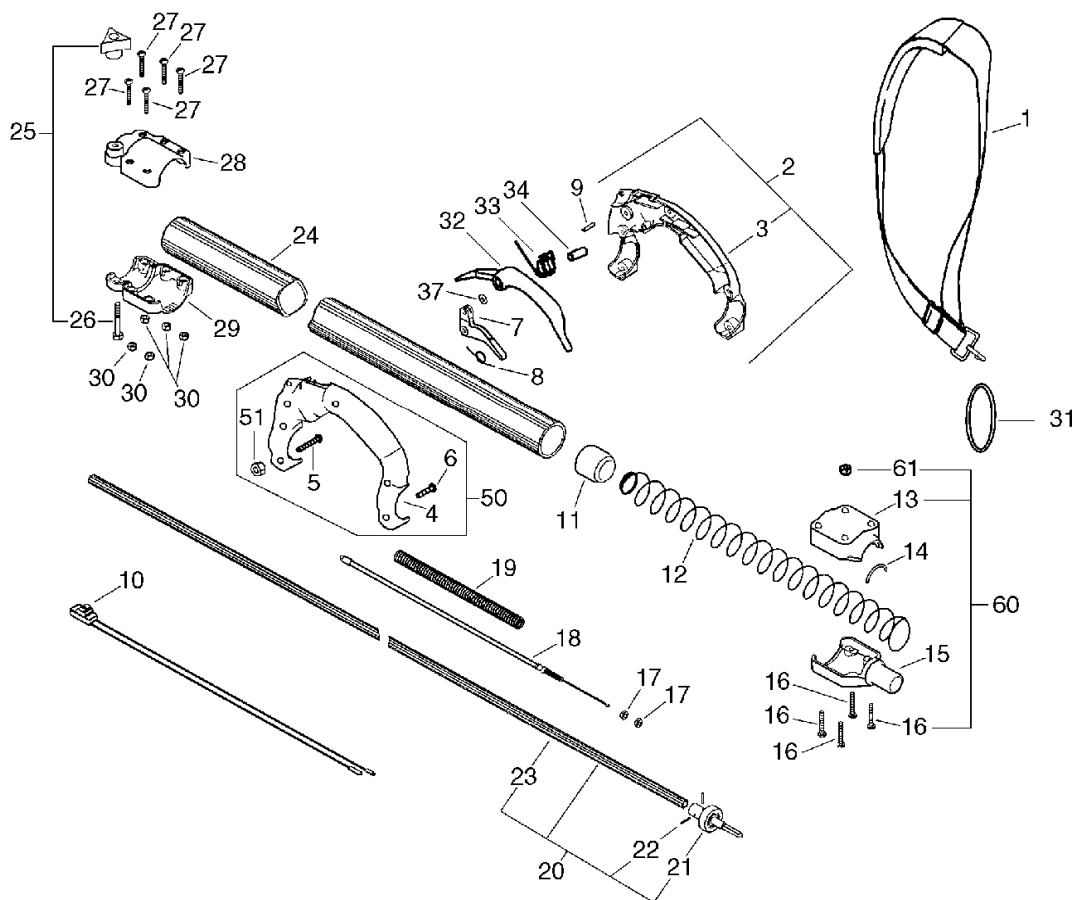
No.6



| KEY | LV | PART NUMBER | Q'TY | DESCRIPTION | REMARKS | NOTE1 | NOTE2 |
|-----|----|--------------|------|-----------------|---------------------|--|-------|
| 4 | ++ | C410-000090 | 1 | HANDLE,REAR | PP THROT LOCKOUT | | |
| 5 | ++ | 900053-00400 | 6 | SCREW | | Can be used on the P021-003530 only | |
| 5 | ++ | 900053-00400 | 2 | SCREW | | Can be used on the P021-003531 only | |
| 6 | ++ | 900053-00500 | 4 | SCREW, PAN HEAD | | Can be used on the P021-003531 only | |
| 51 | ++ | 900031-50100 | 6 | LOCKNUT | | | |

8. Handle

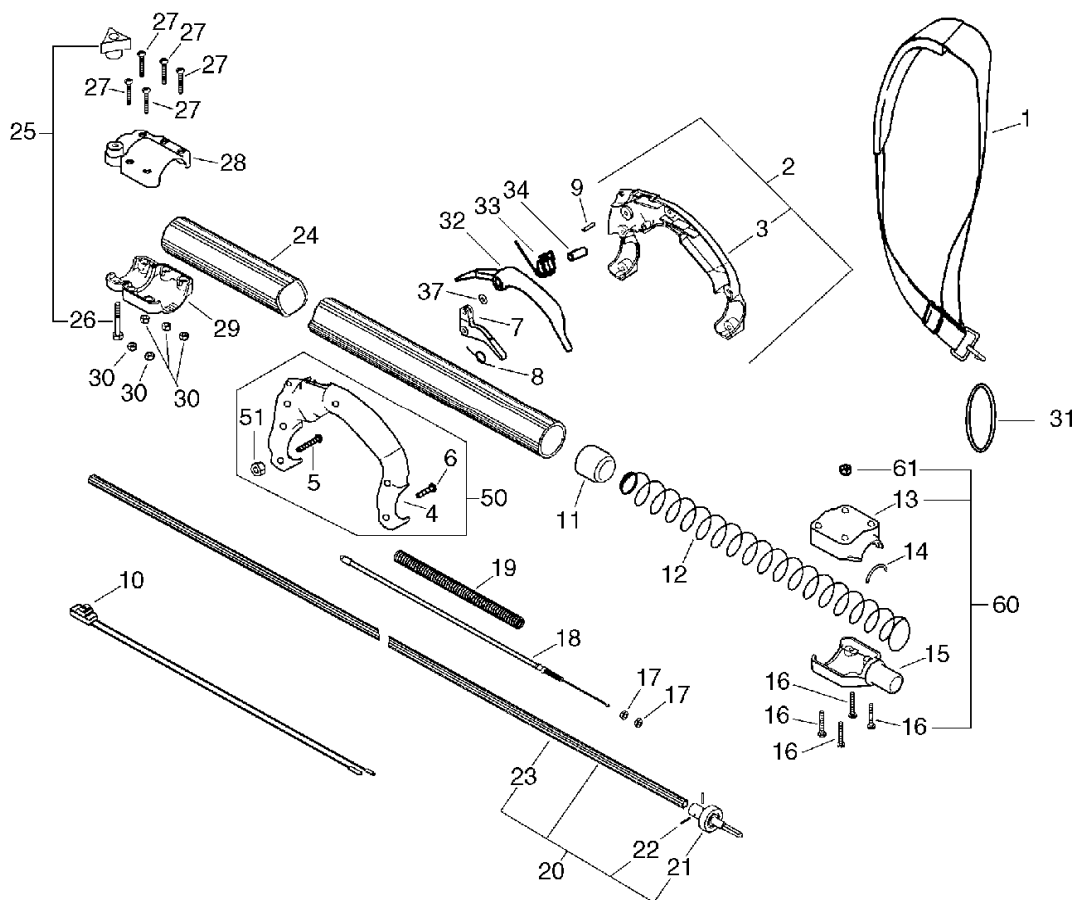
No.6



| KEY | LV | PART NUMBER | Q'TY | DESCRIPTION | REMARKS | NOTE1 | NOTE2 |
|-----|----|--------------|------|--------------------|---------|------------------------------------|-------|
| 7 | | 178010-05631 | 1 | CONTROL, THROTTLE | | TT No.0018 Sr/Nr 001250 and before | |
| 7 | | 178010-22560 | 1 | TRIGGER, THROTTLE | | Sus. by C450-000090 | |
| 7 | | C450-000090 | 1 | TRIGGER, THROTTLE | | Sr/Nr 001251 and after | |
| 8 | | 178043-22360 | 1 | SPRING | | TT No.0180 | |
| 9 | | 889960-22660 | 1 | PIN, STRAIGHT | | TT No.0021.13 | |
| 10 | | 163400-49230 | 1 | SWITCH, IGNITION | | Sus. by 163401-55631 | |
| 10 | | 163401-55631 | 1 | SWITCH, IGNITION | | | |
| 11 | | 433345-22660 | 1 | GUIDE, SHAFT | | TT No.20100 | |
| 12 | | 104940-22560 | 1 | SPRING | | TT No.0110 | |
| 13 | | 610810-22360 | 1 | CAP, PIPE | | TT No.0160 Sus. by P021-003540 | |
| 60 | | P021-003540 | 1 | CAP, MAIN PIPE ASY | | | |
| 13 | + | C525-000000 | 1 | CAP, MAIN PIPE | | | |
| 16 | + | 900053-00500 | 4 | SCREW, PAN HEAD | | Can be used on the P021-003540 | |
| 61 | + | 900031-50100 | 4 | LOCKNUT | | | |
| 14 | | 104910-22460 | 1 | CUSHION | | TT No.0167 | |

8. Handle

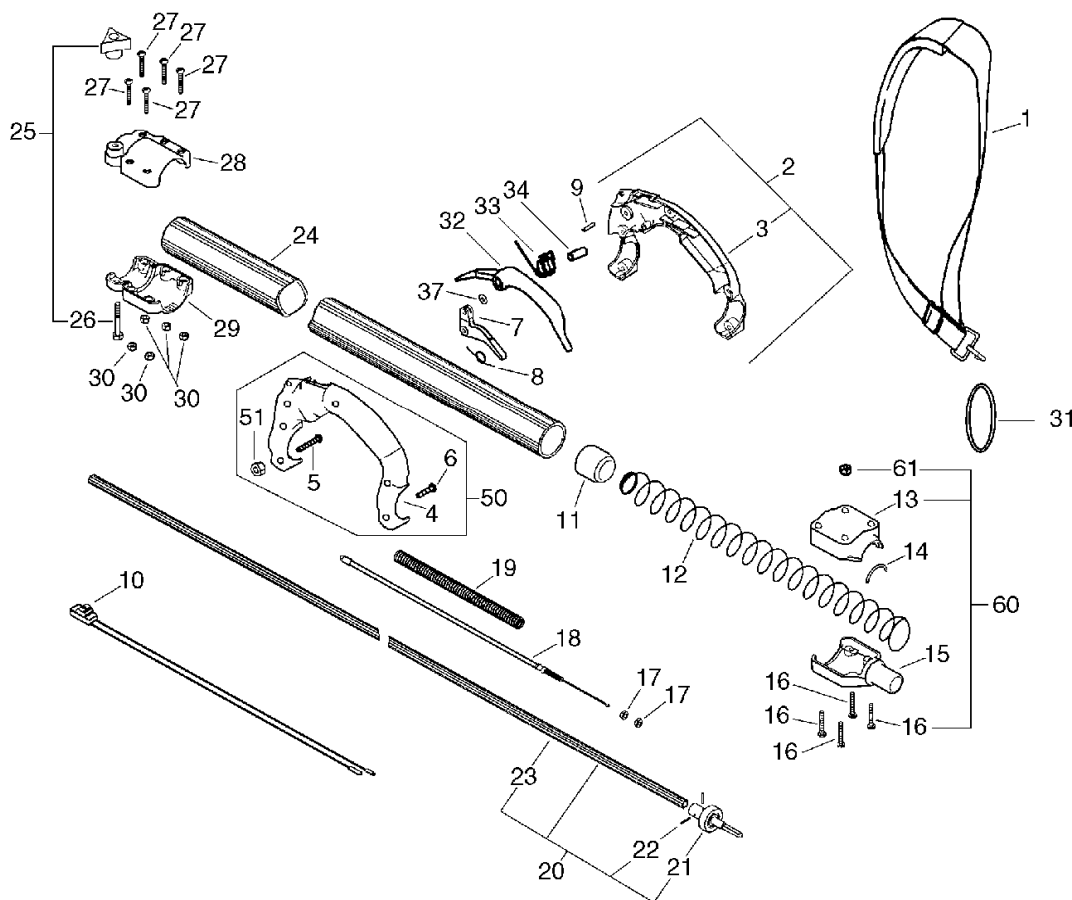
No.6



| KEY | LV | PART NUMBER | Q'TY | DESCRIPTION | REMARKS | NOTE1 | NOTE2 |
|-----|----|--------------|------|---------------------|---------------|-------------------------------------|-------|
| 15 | | 610248-22360 | 1 | CONNECTOR, PIPE | | TT No.0016.2 Sus. by C510-000050 | |
| 15 | | 610248-22361 | 1 | CONNECTOR, PIPE | | TT No.0016.2 Sus. by C510-000050 | |
| 15 | | 610248-22362 | 1 | CONNECTOR, PIPE | | TT No.0016.2 Sus. by C510-000050 | |
| 15 | | C510-000120 | 1 | COUPLING, MAIN PIPE | | Sus. by C510-000050 | |
| 15 | | C510-000050 | 1 | COUPLING, MAIN PIPE | | | |
| 16 | | 900053-00400 | 4 | SCREW | | TT No.45140 | |
| 17 | | 900502-00006 | 2 | NUT '6 (3N) | 3N6 | | |
| 18 | | 178001-51030 | 1 | WIRE, THROTTLE | | | |
| 19 | | 178016-22360 | 1 | TUBE | | TT No.0190 | |
| 20 | | 610006-22060 | 1 | SHAFT, DRIVE | | TT No.5000.10 | |
| 21 | + | 610012-22360 | 1 | CONNECTOR, SHAFT | | TT No.0166.10 | |
| 22 | + | 880050-22360 | 2 | PIN, SPIRAL | | Sus. by V620-000000 | |
| 22 | + | V645-000000 | 2 | PIN, SPIRAL | .098" X .687" | Sus. by V620-000000 | |
| 22 | + | V620-000000 | 2 | PIN, STRAIGHT 3> | 2.5 * 20MM | | |

8. Handle

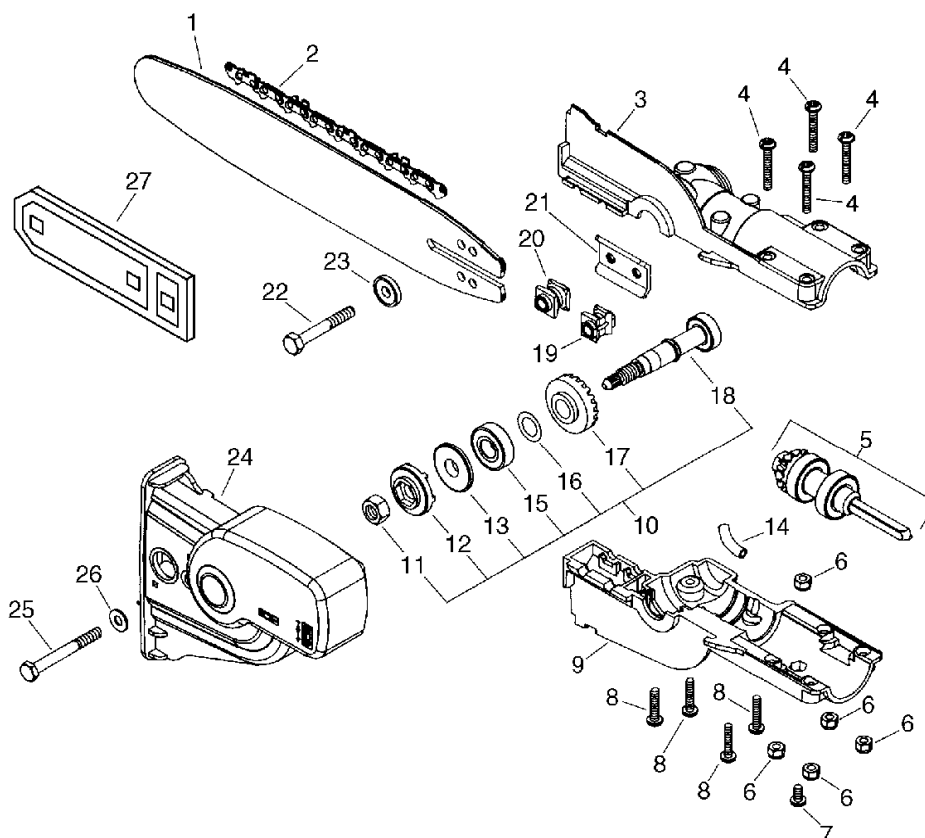
No.6



| KEY | LV | PART NUMBER | Q'TY | DESCRIPTION | REMARKS | NOTE1 | NOTE2 |
|-----|----|--------------|------|----------------------|-----------------|------------------------|-------|
| 23 | + | 610011-22060 | 1 | SHAFT, DRIVE | | Sus. by 610011-22061 | |
| 23 | + | 610011-22061 | 1 | SHAFT, DRIVE | | TT No.0010 | |
| 24 | | 610222-24660 | 1 | PIPE, MAIN | | | |
| 25 | | 130406-22360 | 1 | THUMB | | | |
| 26 | + | 900051-00100 | 1 | SCREW | | Sus. by V204-000090 | |
| 26 | + | V204-000090 | 1 | BOLT,6 | | TT No.0021 | |
| 27 | | 900053-00400 | 5 | SCREW | | TT No.45140 | |
| 28 | | 610282-22460 | 1 | COLLAR, MAIN PIPE | | TT No.20013 | |
| 29 | | 610282-22360 | 1 | COLLAR, MAIN PIPE | | TT No.20130 | |
| 30 | | 900031-50100 | 5 | LOCKNUT | | TT No.45170 | |
| 31 | | 301016-52730 | 1 | RING,HARNESS | | | |
| 32 | | 178090-22560 | 1 | LOCKOUT, THR.CONTROL | | Sr/Nr 001251 and after | |
| 33 | | 178043-22560 | 1 | SPRING | | Sus. by 178043-22562 | |
| 33 | | 178043-22561 | 1 | SPRING | .39 INSIDE DIA. | Sus. by 178043-22562 | |
| 33 | | 178043-22562 | 1 | SPRING | | Sr/Nr 001251 and after | |
| 34 | | 610850-22560 | 1 | COLLAR | | Sr/Nr 001251 and after | |
| 37 | | 900603-00005 | 1 | WASHER 5 | 5.5*12*0.8 | | |

9. Gear Case(Sr/Nr 001700 and before)

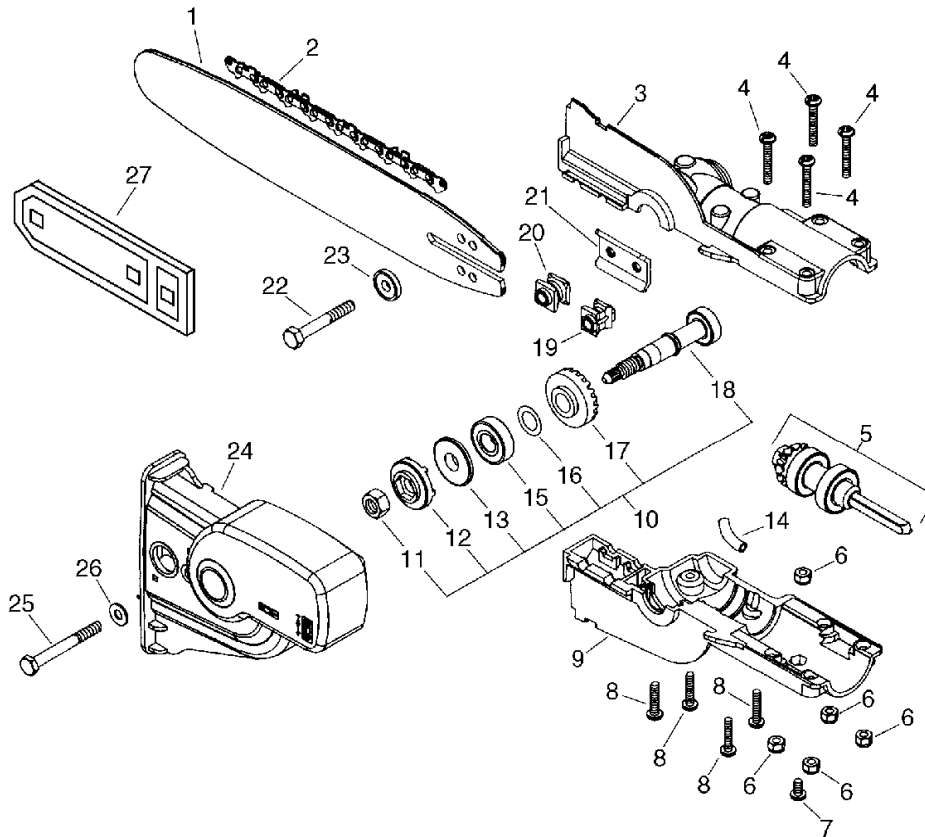
No.7



| KEY | LV | PART NUMBER | Q'TY | DESCRIPTION | REMARKS | NOTE1 | NOTE2 |
|-----|----|--------------|------|--------------------|--------------|---------------|-------|
| 1 | | 430410-22160 | 1 | BAR, GUIDE | (PP) | | |
| 2 | | 431610-22160 | 1 | CHAIN, SAW | 90SG-39 | TT No.23009 | |
| 3 | | 610407-22460 | 1 | CASE, GEAR | | TT No.24107 | |
| 4 | | 900053-00400 | 4 | SCREW | | TT No.45140 | |
| 5 | | 610309-22360 | 1 | SHAFT, GEAR | | | |
| 6 | | 900031-50100 | 5 | LOCKNUT | | TT No.45170 | |
| 7 | | 900053-00200 | 1 | SCREW | | TT No.45120 | |
| 8 | | 900053-00300 | 4 | SCREW | | TT No.45130 | |
| 9 | | 610410-22360 | 1 | CASE, GEAR | | TT No.24007.1 | |
| 10 | | 610306-22360 | 1 | SHAFT, GEAR | | TT No.3002 | |
| 11 | + | 900030-00200 | 1 | NUT | | TT No.40512 | |
| 12 | + | 302810-22360 | 1 | SPROCKET, DRIVE | | TT No.0003.1 | |
| 13 | + | 302812-22360 | 1 | PLATE, SPROCKET | | TT No.0113.1 | |
| 15 | + | 900802-06001 | 1 | BEARING, BALL 6001 | 6001DDU(LLU) | TT No.0106 | |
| 16 | + | 100132-22060 | 1 | WASHER | | TT No.0141 | |
| 17 | + | 610311-22360 | 1 | GEAR | | TT No.0005 | |
| 18 | + | 610360-22360 | 1 | SHAFT, P.T.O. | | TT No.0105 | |
| 14 | | 104910-22360 | 1 | CUSHION | | TT No.0168 | |
| 19 | | 110076-22460 | 1 | SPACER | | TT No.0124 | |
| 20 | | 110076-22360 | 1 | SPACER | | TT No.0112 | |
| 21 | | 433055-22360 | 1 | BRACKET, GUIDE BAR | | TT No.20108 | |
| 22 | | 900051-00100 | 1 | SCREW | | TT No.0021.1 | |
| 23 | | 178020-22360 | 1 | WASHER | | TT No.0102 | |
| 24 | | 437605-22360 | 1 | COVER, OILER | | TT No.0030 | |
| 25 | | 900056-00200 | 1 | BOLT, SHOULDER | | TT No.0021.8 | |

9. Gear Case(Sr/Nr 001700 and before)

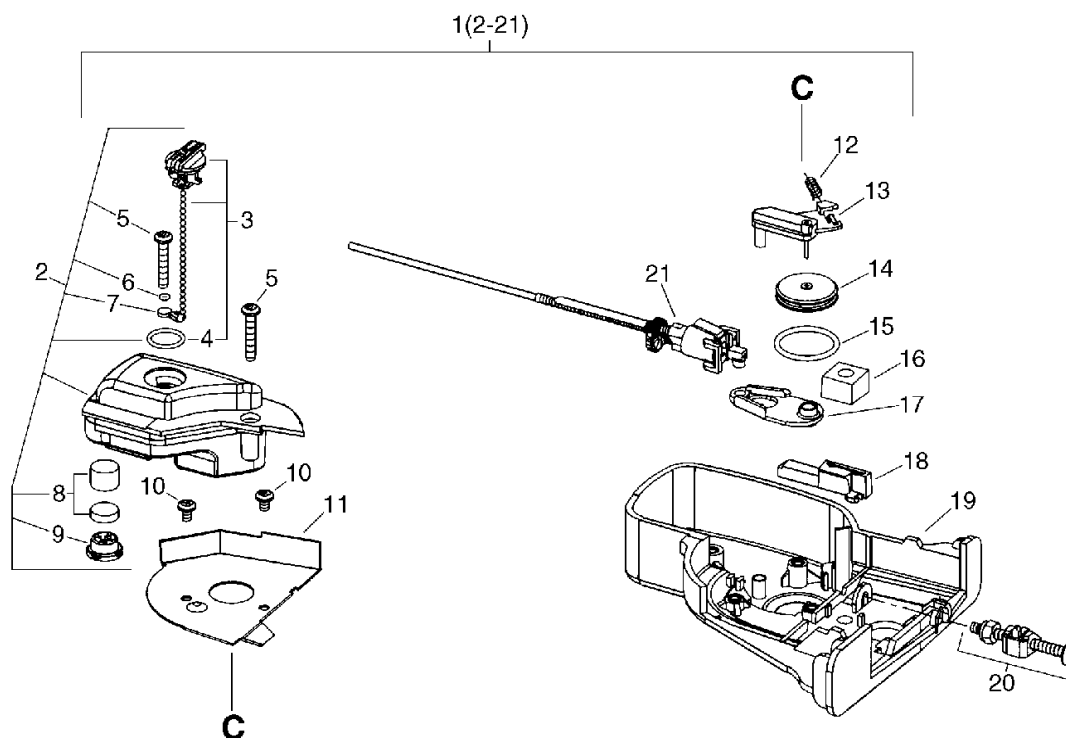
No.7



| KEY | LV | PART NUMBER | Q'TY | DESCRIPTION | REMARKS | NOTE1 | NOTE2 |
|-----|----|--------------|------|---------------------|---------|------------------------------------|-------|
| 26 | | 900035-00200 | 1 | WASHER,FLAT | | TT No.0021.37 | |
| 27 | | 898513-22160 | 1 | SCABBARD, GUIDE BAR | | TT No.20191 Sus. by X490-000060 | |
| 27 | | X490-000060 | 1 | SCABBARD,CHAIN | | | |

10. Oiler Assy(Sr/Nr 001700 and before)

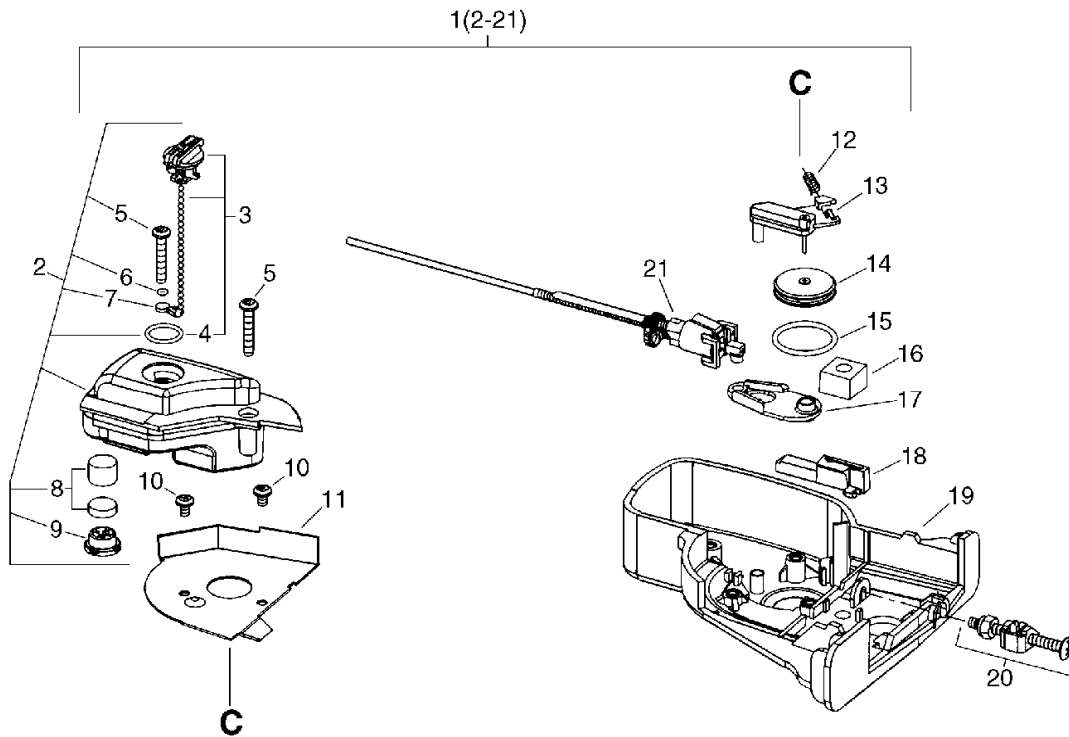
No.8



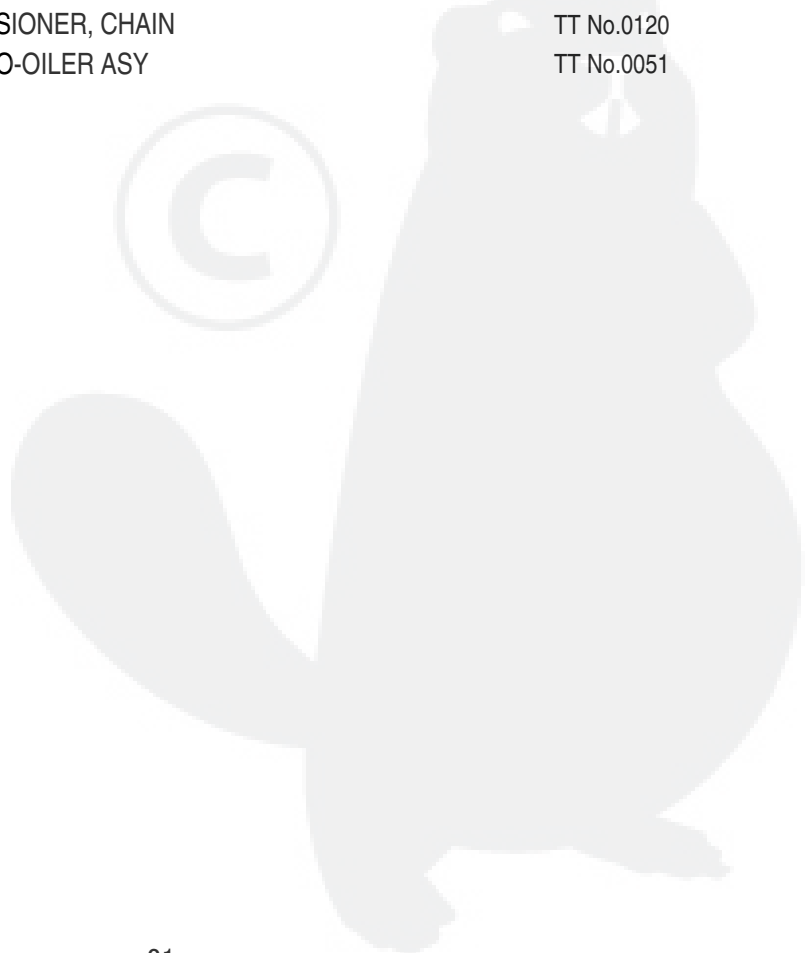
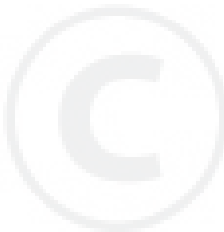
| KEY | LV | PART NUMBER | Q'TY | DESCRIPTION | REMARKS | NOTE1 | NOTE2 |
|-----|----|--------------|------|-------------------|---------|---------------|-------|
| 1 | | 437000-22360 | 1 | AUTO-OILER ASY | | TT No.1206 | |
| 2 | + | 436005-22360 | 1 | TANK, OIL | | TT No.1210 | |
| 3 | ++ | 436001-22060 | 1 | CAP, OIL | | TT No.00055 | |
| 4 | ++ | 437122-22060 | 1 | O-RING | | TT No.0021.28 | |
| 5 | ++ | 900052-00300 | 2 | SCREW | | TT No.0021.26 | |
| 6 | ++ | 270217-22460 | 1 | O-RING | | TT No.0021.49 | |
| 7 | ++ | 169920-22360 | 1 | CAP, CONNECTOR | | TT No.0021.41 | |
| 8 | ++ | 436205-22360 | 1 | STRAINER, OIL | | TT No.0021.31 | |
| 9 | ++ | 437243-22360 | 1 | GROMMET | | TT No.20058 | |
| 10 | + | 900052-00200 | 2 | SCREW | | TT No.0021.27 | |
| 11 | + | 699025-22360 | 1 | PLATE, PROTECTION | | TT No.0050 | |
| 12 | + | 104940-22360 | 1 | SPRING | | TT No.0035 | |
| 13 | + | 707000-22360 | 1 | ROD ASY, OILER | | TT No.0054 | |
| 14 | + | 437068-22360 | 1 | CAM, PUMP | | TT No.0032 | |
| 15 | + | 437122-22360 | 1 | O-RING | | TT No.0021.29 | |
| 16 | + | 110076-22560 | 1 | SPACER | | TT No.0126 | |
| 17 | + | 437041-22360 | 1 | PIECE, PLUNGER | | TT No.0036 | |
| 18 | + | 168218-22160 | 1 | PIPE | | TT No.0039 | |
| 19 | + | 437605-22360 | 1 | COVER, OILER | | TT No.0030 | |

10. Oiler Assy(Sr/Nr 001700 and before)

No.8

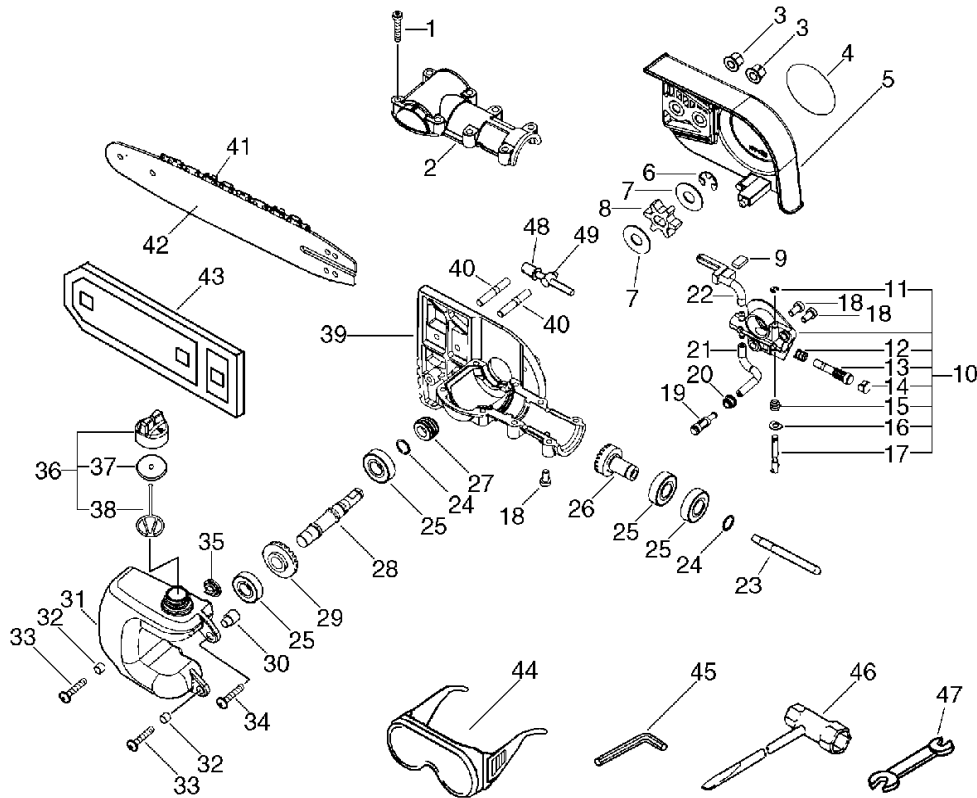


| KEY | LV | PART NUMBER | Q'TY | DESCRIPTION | REMARKS | NOTE1 | NOTE2 |
|-----|----|--------------|------|------------------|---------|------------|-------|
| 20 | + | 433095-22360 | 1 | TENSIONER, CHAIN | | TT No.0120 | |
| 21 | + | 437000-22460 | 1 | AUTO-OILER ASY | | TT No.0051 | |



11. Auto-Oiler, Gear Case, Tools(Sr/Nr 001701 and after)

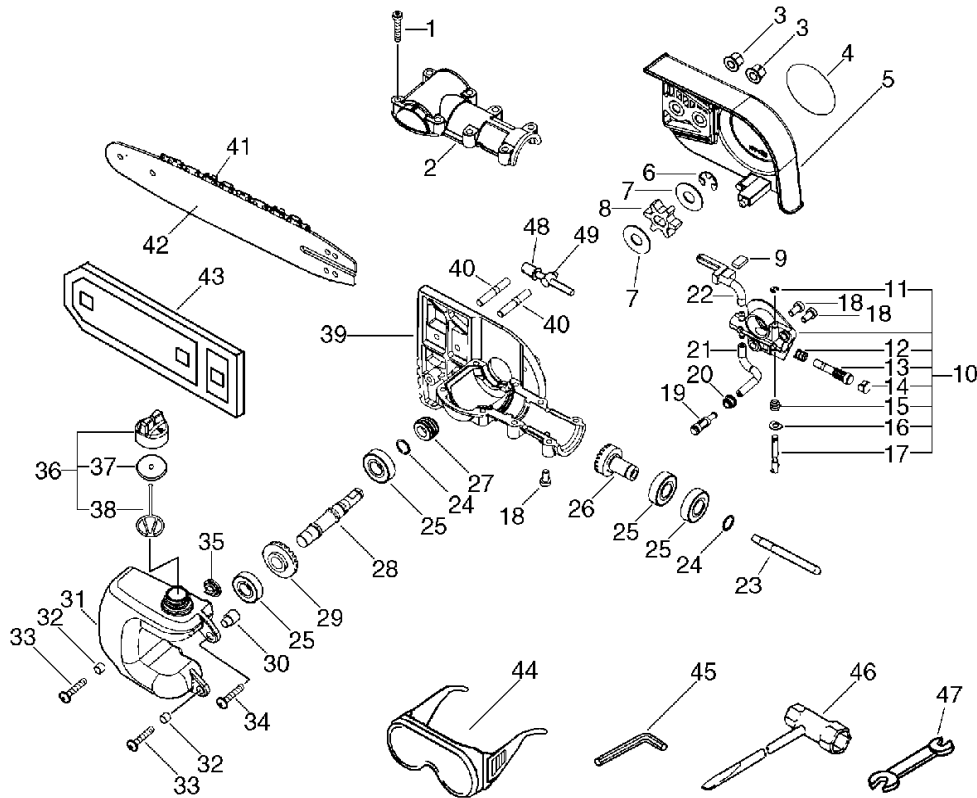
No.9



| KEY | LV | PART NUMBER | Q'TY | DESCRIPTION | REMARKS | NOTE1 | NOTE2 |
|-----|----|--------------|------|-----------------|---------------|----------------------|-------|
| 1 | | V253-000000 | 8 | SCREW,5 | 5*25 | | |
| 2 | | C531-000030 | 1 | CASE,GEAR | | | |
| 3 | | 433019-03933 | 2 | NUT, FLANGE 6 | 6 | | |
| 4 | | 890118-49130 | 1 | LABEL, ECHO | | | |
| 5 | | C300-000000 | 1 | GUARD,SPROCKET | | Sus. by C300-000001 | |
| 5 | | C300-000001 | 1 | GUARD,SPROCKET | | | |
| 6 | | V583-000010 | 1 | RING | | | |
| 7 | | 175014-39130 | 2 | WASHER, CLUTCH | 10.2*25*1.2 | Sus. by 175014-39131 | |
| 7 | | 175014-39131 | 2 | WASHER, CLUTCH | 10.2*24.5*1.2 | | |
| 8 | | C580-000070 | 1 | SPROCKET,DRIVE | | | |
| 9 | | 437244-39130 | 1 | PAD, FORM | | | |
| 10 | | 437002-39130 | 1 | AUTO-OILER ASSY | | | |
| 11 | + | 123127-15030 | 1 | RING | | | |
| 12 | + | 437019-38330 | 1 | SPRING | | | |
| 13 | + | 437024-37330 | 1 | PLUNGER | | | |
| 14 | + | 437062-37330 | 1 | CAP, OIL PUMP | | | |
| 15 | + | 437015-37330 | 1 | SPRING | | | |
| 16 | + | 437029-37330 | 1 | WASHER | | | |
| 17 | + | 437016-39130 | 1 | NEEDLE, ADJUST | | | |
| 18 | | V253-000010 | 3 | SCREW,5 | 5*10 | | |
| 19 | | 436205-02832 | 1 | STRAINER, OIL | | | |
| 20 | | 132115-01461 | 1 | GROMMET | | | |
| 21 | | 130110-12330 | 1 | PIPE, IMPULSE | 3*6*70L | | |

11. Auto-Oiler, Gear Case, Tools(Sr/Nr 001701 and after)

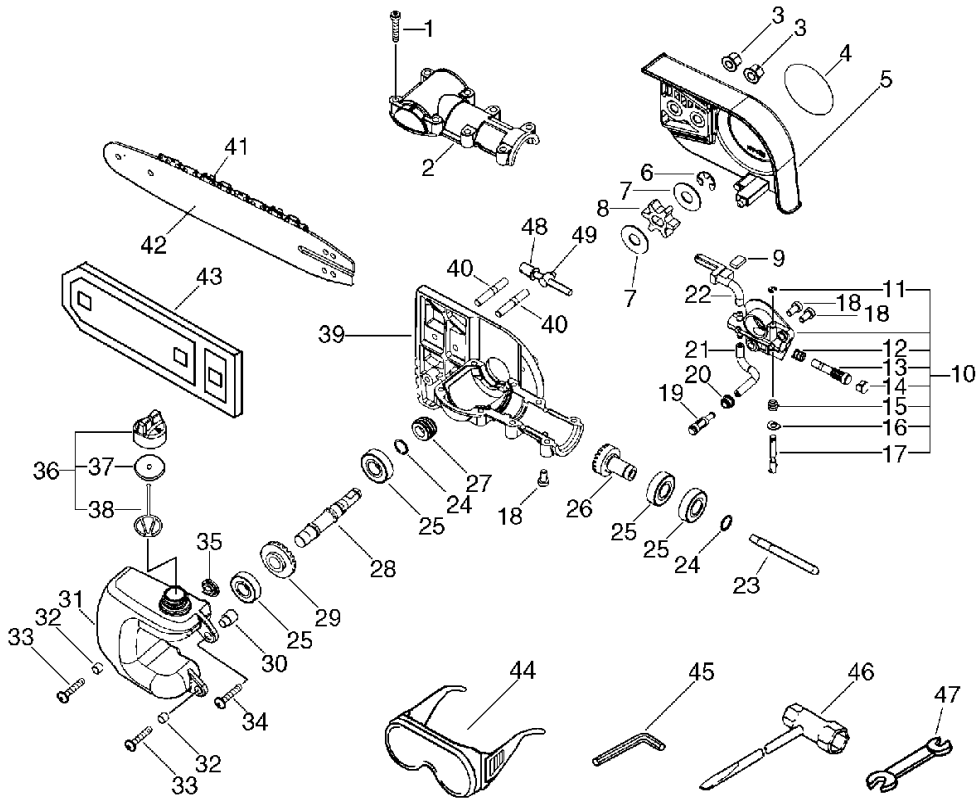
No.9



| KEY | LV | PART NUMBER | Q'TY | DESCRIPTION | REMARKS | NOTE1 | NOTE2 |
|-----|----|--------------|------|------------------|---------|----------------------|-------|
| 22 | | V470-000180 | 1 | PIPE | | | |
| 23 | | 610025-22360 | 1 | CONNECTOR, SHAFT | | Sus. by 610025-22361 | |
| 23 | | 610025-22361 | 1 | CONNECTOR, SHAFT | | | |
| 24 | | 900706-00012 | 2 | CIRCLIP 12 | WR-12 | | |
| 25 | | 940420-06001 | 4 | BEARING BALL | | | |
| 26 | | V651-000041 | 1 | GEAR,BEVEL | | Sus. by V651-000042 | |
| 26 | | V651-000042 | 1 | GEAR,BEVEL | | | |
| 27 | | 437063-38330 | 1 | GEAR, WORM | | | |
| 28 | | C534-000020 | 1 | SHAFT,GEAR | | | |
| 29 | | 610311-22061 | 1 | GEAR | | | |
| 30 | | V354-000010 | 1 | COLLAR,6 | | | |
| 31 | | C200-000000 | 1 | TANK,OIL | | | |
| 32 | | 131045-28230 | 2 | COLLAR | | | |
| 33 | | V253-000030 | 2 | SCREW,5 | 5*16 | | |
| 34 | | V253-000020 | 1 | SCREW,5 | 5*28 | | |
| 35 | | 131314-06320 | 1 | VALVE, CHECK | | | |
| 36 | | P021-000950 | 1 | CAP ASSY, OIL | | Sus. by P021-000951 | |
| 36 | | P021-000951 | 1 | CAP ASSY, OIL | | | |
| 37 | + | 436012-37830 | 1 | GASKET, CIRCULAR | | | |
| 38 | + | 131051-19830 | 1 | LINK | 60L | Sus. by A365-000050 | |
| 38 | + | A365-000050 | 1 | CONNECTOR,CAP | | | |
| 39 | | C531-000040 | 1 | CASE,GEAR | | | |

11. Auto-Oiler, Gear Case, Tools(Sr/Nr 001701 and after)

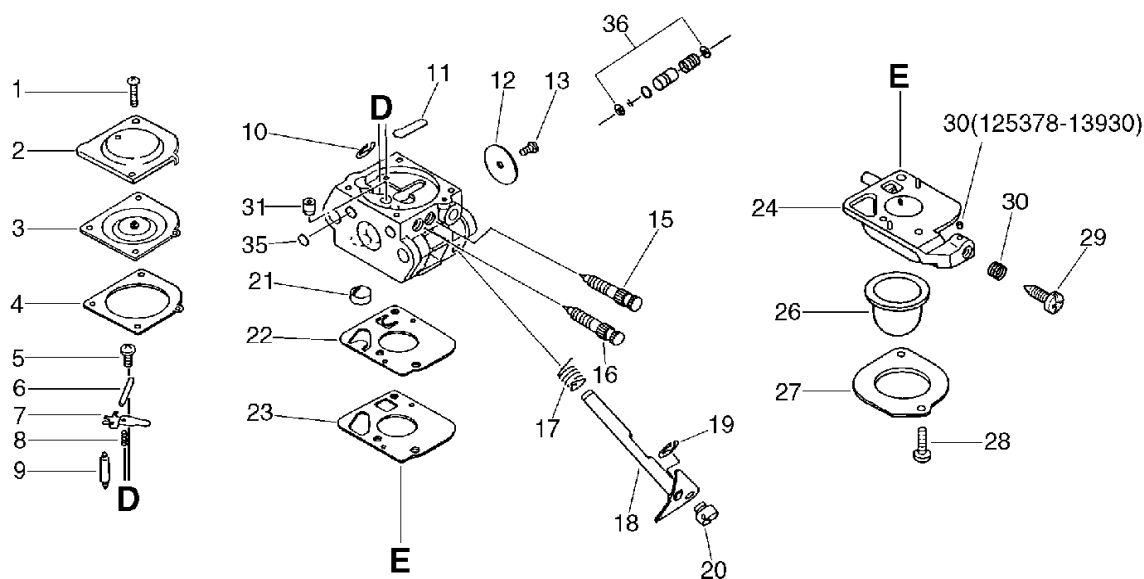
No.9



| KEY | LV | PART NUMBER | Q'TY | DESCRIPTION | REMARKS | NOTE1 | NOTE2 |
|-----|----|--------------|------|---------------------|---------|----------------------|-------|
| 40 | | V224-000000 | 2 | BOLT,STUD 6 | | | |
| 41 | | 431610-22160 | 1 | CHAIN, SAW | 90SG-39 | | |
| 42 | | 430410-22160 | 1 | BAR, GUIDE | (PP) | | |
| 43 | | 898513-22160 | 1 | SCABBARD, GUIDE BAR | | Sus. by X490-000060 | |
| 43 | | X490-000060 | 1 | SCABBARD,CHAIN | | | |
| 44 | | 89958-068730 | 1 | SAFETY GLASSES | | Sus. by P021-002861 | |
| 44 | | P021-002861 | 1 | GOGGLES | | | |
| 45 | | 895612-03430 | 1 | L-WRENCH (3MM) | | Sus. by 895610-00130 | |
| 45 | | 895610-00130 | 1 | L-WRENCH (4MM) | | | |
| 46 | | 895410-39130 | 1 | WRENCH, W/S-DRIVER | | | |
| 47 | | 895112-00330 | 1 | SPANNER 8*10 | | | |
| 48 | | 433016-39131 | 1 | BOLT | | | |
| 49 | | 433014-03931 | 1 | TENSIONER | | | |

12. Carburetor

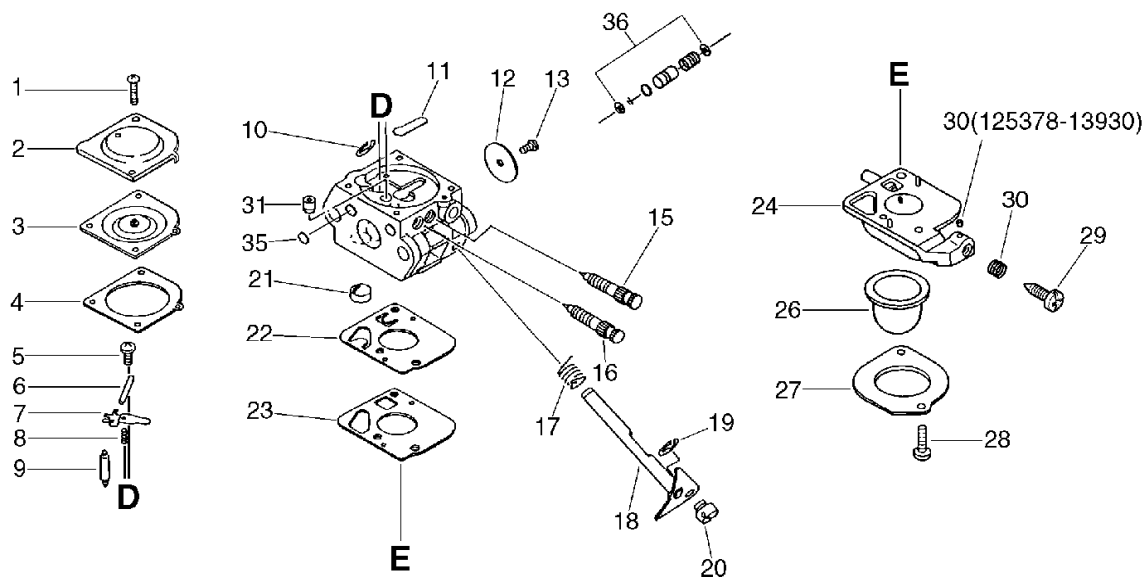
No.10



| KEY | LV | PART NUMBER | Q'TY | DESCRIPTION | REMARKS | NOTE1 | NOTE2 |
|-----|----|--------------|------|----------------------|---------|----------------------|-------|
| | | 125200-13311 | 1 | CARBURETOR C1U-K52 | C1U-K52 | Sus. by 125200-13314 | |
| | | 125200-13312 | 1 | CARBURETOR | C1U-K52 | Sus. by 125200-13314 | |
| | | 125200-13313 | 1 | CARBURETOR | C1U-K52 | Sus. by 125200-13314 | |
| | | 125200-13314 | 1 | CARBURETOR | C1U-K52 | | |
| 1 | + | 125344-52130 | 2 | SCREW | | | |
| 2 | + | 125342-13210 | 1 | COVER, DIAPHRAGM | | | |
| 3 | + | 125341-49030 | 1 | DIAPHRAGM | | | |
| 4 | + | 125340-51030 | 1 | GASKET, DIAPHRAGM | | | |
| 5 | + | 125339-42030 | 1 | SCREW | | | |
| 6 | + | 125338-13930 | 1 | PIN, METERING ARM | | | |
| 7 | + | 125323-42030 | 1 | LEVER, METERING | | | |
| 8 | + | 125322-42030 | 1 | SPRING, COIL | | | |
| 9 | + | 125337-06960 | 1 | VALVE, INLET NEEDLE | | | |
| 10 | + | 125327-15130 | 1 | CLIP | | | |
| 11 | + | 125345-15130 | 1 | PLUG, WELCH | | | |
| 12 | + | 125316-49030 | 1 | VALVE, THROTTLE | | | |
| 13 | + | 125314-13930 | 1 | SCREW | 3*4 | | |
| 15 | + | 125318-13120 | 1 | SCREW, IDLE NEEDLE | | | |
| 16 | + | 125320-13310 | 1 | NEEDLE, HIGH SPEED | | | |
| 17 | + | 125313-42030 | 1 | SPRING, THRT. RETURN | | | |
| 18 | + | 125317-13310 | 1 | SHAFT, THROTTLE | | | |
| 19 | + | 125327-13930 | 1 | CLIP | | | |
| 20 | + | 125372-42030 | 1 | SWIVEL | | | |

12. Carburetor

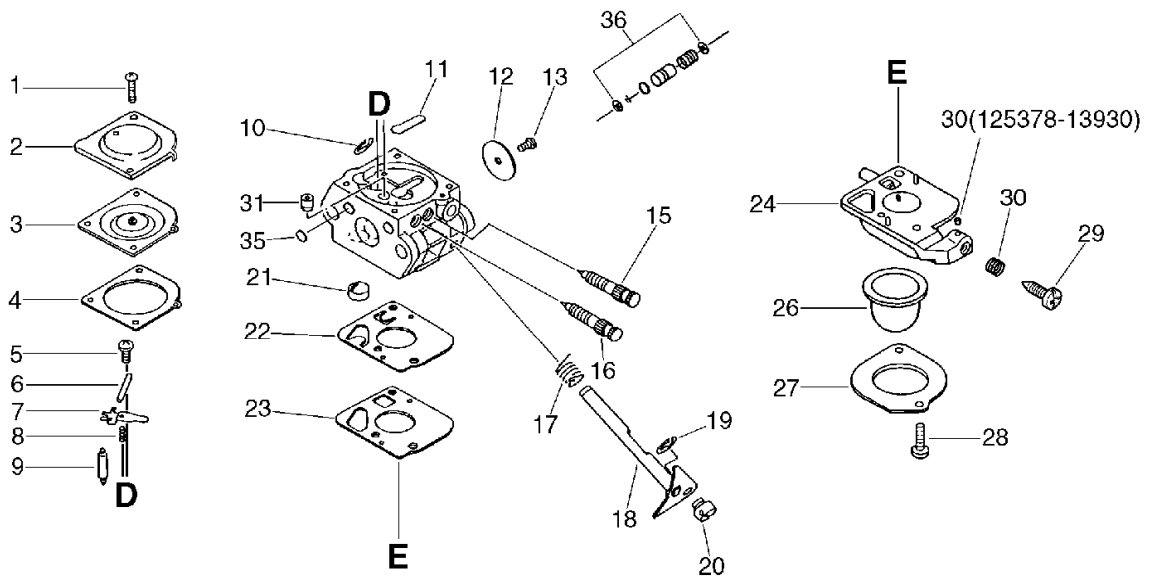
No.10



| KEY | LV | PART NUMBER | Q'TY | DESCRIPTION | REMARKS | NOTE1 | NOTE2 |
|-----|----|--------------|------|-----------------------|---------|--------------------------------------|-------|
| 21 | + | 125326-42030 | 1 | STRAINER | | | |
| 22 | + | 125312-12820 | 1 | DIAPHRAGM, FUEL PUMP | | | |
| 23 | + | 125325-13310 | 1 | GASKET, PUMP | | | |
| 24 | + | 125383-13310 | 1 | BASE, PRIMER | | Sus. by P005-000590 | |
| 24 | + | P005-000590 | 1 | BASE,ASY PRIMER | | | |
| 26 | + | 125381-08660 | 1 | PUMP, PRIMING | | | |
| 27 | + | 125363-11610 | 1 | RING | | | |
| 28 | + | 125310-11610 | 2 | SCREW | | | |
| 29 | + | 125334-13930 | 1 | SCREW, IDLE ADJUST | | Can be used on the 125200-13311 only | |
| 29 | + | 125334-06960 | 1 | SCREW, THROTTLEADJUST | | Can be used on the 125200-13312 only | |
| 30 | + | 125378-13930 | 1 | PIECE, FRICTION | | Can be used on the 125200-13311 only | |
| 30 | + | 125333-06960 | 1 | SPRING, IDLE ADJUSTER | | Can be used on the 125200-13312 only | |
| 31 | + | 125376-13120 | 1 | NOZZLE, CHECK VALVE | | | |
| 35 | + | 125345-13310 | 1 | PLUG, WELCH | | | |
| 36 | + | 125306-13310 | 1 | PUMP KIT, ACC. | | Can be used on the 125200-13311 only | |

12. Carburetor

No.10



| KEY | LV | PART NUMBER | Q'TY | DESCRIPTION | REMARKS | NOTE1 | NOTE2 |
|-----|----|--------------|------|----------------------|---------|--------------------|-------|
| 36 | + | 125306-13120 | 1 | PUMP KIT, ACC. | | Can be used on the | |
| | | 125303-13310 | 1 | DIAPHRAGM/GASKET KIT | | 125200-13312 only | |
| | | 125300-13310 | 1 | REBUILD KIT | | | |

Index

| Patrs Number | Key No. | Patrs Number | Key No. | Patrs Number | Key No. |
|---------------------|----------------|---------------------|----------------|---------------------|----------------|
| 100000-48732 | 1 - 8 | 125323-42030 | 12 - 7 | 145510-42031 | 3 - 30 |
| 100011-05330 | 1 - 9 | 125325-13310 | 12 - 23 | 145800-54130 | 3 - 28 |
| 100012-51230 | 1 - 4 | 125326-42030 | 12 - 21 | 145862-40630 | 3 - 31 |
| 100013-11520 | 1 - 10 | 125327-13930 | 12 - 19 | 145863-54130 | 3 - 34 |
| 100014-11520 | 1 - 12 | 125327-15130 | 12 - 10 | 145866-42031 | 3 - 32 |
| 100015-04630 | 1 - 11 | 125333-06960 | 12 - 30 | 145871-44331 | 3 - 29 |
| 100100-44732 | 1 - 17 | 125334-06960 | 12 - 29 | 145876-42030 | 3 - 33 |
| 100132-22060 | 9 - 16 | 125334-13930 | 12 - 29 | 150112-44330 | 2 - 17 |
| 100204-52130 | 1 - 14 | 125337-06960 | 12 - 9 | 156626-52730 | 2 - 13 |
| 100204-52131 | 1 - 14 | 125338-13930 | 12 - 6 | 156801-09660 | 2 - 11 |
| 100204-52132 | 1 - 14 | 125339-42030 | 12 - 5 | 159010-10230 | 2 - 16 |
| 100212-42030 | 1 - 13 | 125340-51030 | 12 - 4 | 159011-03432 | 2 - 15 |
| 100212-42031 | 1 - 13 | 125341-49030 | 12 - 3 | 159012-01620 | 2 - 14 |
| 100215-03930 | 1 - 15 | 125342-13210 | 12 - 2 | 159012-10230 | 2 - 14 |
| 100242-42030 | 1 - 18 | 125344-52130 | 12 - 1 | 159016-05330 | 2 - 15 |
| 101010-44332 | 1 - 7 | 125345-13310 | 12 - 35 | 159912-44530 | 1 - 30 |
| 101011-06562 | 1 - 5 | 125345-15130 | 12 - 11 | 162010-52830 | 2 - 37 |
| 101511-44630 | 1 - 20 | 125363-11610 | 12 - 27 | 163400-49230 | 8 - 10 |
| 101514-44531 | 1 - 28 | 125372-42030 | 12 - 20 | 163401-55631 | 8 - 10 |
| 104293-22360 | 5 - 2 | 125376-13120 | 12 - 31 | 168218-22160 | 10 - 18 |
| 104910-22360 | 9 - 14 | 125378-13930 | 12 - 30 | 169920-22360 | 10 - 7 |
| 104910-22460 | 8 - 14 | 125381-08660 | 12 - 26 | 175000-56830 | 2 - 10 |
| 104940-22360 | 10 - 12 | 125383-13310 | 12 - 24 | 175005-42030 | 2 - 9 |
| 104940-22560 | 8 - 12 | 129011-52730 | 3 - 16 | 175014-39130 | 11 - 7 |
| 110076-22360 | 9 - 20 | 130010-42032 | 3 - 5 | 175014-39131 | 11 - 7 |
| 110076-22460 | 9 - 19 | 130016-42031 | 3 - 9 | 175053-04920 | 2 - 5 |
| 110076-22560 | 10 - 16 | 130017-42031 | 3 - 7 | 177200-42033 | 2 - 26 |
| 123127-15030 | 11 - 11 | 130110-12330 | 11 - 21 | 177202-44330 | 2 - 20 |
| 125200-13311 | 12 - | 130307-06761 | 3 - 14 | 177202-44331 | 2 - 20 |
| 125200-13311 | 3 - 10 | 130310-54130 | 3 - 18 | 177215-44430 | 2 - 29 |
| 125200-13312 | 12 - | 130313-05863 | 3 - 19 | 177218-44330 | 2 - 24 |
| 125200-13312 | 3 - 10 | 130406-22360 | 8 - 25 | 177220-42030 | 2 - 33 |
| 125200-13313 | 12 - | 131004-08960 | 4 - 16 | 177226-10120 | 2 - 30 |
| 125200-13313 | 3 - 10 | 131004-55830 | 4 - 16 | 177227-42030 | 2 - 31 |
| 125200-13314 | 12 - | 131005-46830 | 4 - 15 | 177228-06530 | 2 - 32 |
| 125200-13314 | 3 - 10 | 131005-46831 | 4 - 15 | 177234-42030 | 2 - 23 |
| 125300-13310 | 12 - | 131016-55830 | 4 - 17 | 177236-44330 | 2 - 27 |
| 125303-13310 | 12 - | 131045-28230 | 11 - 32 | 178001-51030 | 8 - 18 |
| 125306-13120 | 12 - 36 | 131051-19830 | 11 - 38 | 178010-05631 | 8 - 7 |
| 125306-13310 | 12 - 36 | 131051-52430 | 4 - 19 | 178010-22560 | 8 - 7 |
| 125310-11610 | 12 - 28 | 131205-07320 | 4 - 10 | 178016-22360 | 8 - 19 |
| 125312-12820 | 12 - 22 | 131300-56430 | 4 - 5 | 178020-22360 | 9 - 23 |
| 125313-42030 | 12 - 17 | 131312-39130 | 4 - 7 | 178043-22360 | 8 - 8 |
| 125314-13930 | 12 - 13 | 131314-06320 | 11 - 35 | 178043-22560 | 8 - 33 |
| 125316-49030 | 12 - 12 | 132010-13930 | 4 - 11 | 178043-22561 | 8 - 33 |
| 125317-13310 | 12 - 18 | 132010-56330 | 4 - 6 | 178043-22562 | 8 - 33 |
| 125318-13120 | 12 - 15 | 132013-09820 | 4 - 9 | 178090-22560 | 8 - 32 |
| 125320-13310 | 12 - 16 | 132115-01461 | 11 - 20 | 178129-22360 | 5 - 13 |
| 125322-42030 | 12 - 8 | 132115-46730 | 4 - 8 | 210417-52730 | 3 - 20 |

Index

| Patrs Number | Key No. | Patrs Number | Key No. | Patrs Number | Key No. |
|---------------------|----------------|---------------------|----------------|---------------------|----------------|
| 270217-22460 | 10 - 6 | 437122-22360 | 10 - 15 | 895410-39130 | 11 - 46 |
| 301000-22060 | 6 - 1 | 437243-22360 | 10 - 9 | 895410-39130 | 5 - 18 |
| 301016-52730 | 8 - 31 | 437244-39130 | 11 - 9 | 895410-39131 | 5 - 18 |
| 302810-22360 | 9 - 12 | 437605-22360 | 10 - 19 | 895415-22160 | 5 - 18 |
| 302812-22360 | 9 - 13 | 437605-22360 | 9 - 24 | 895415-22260 | 5 - 19 |
| 305110-42030 | 4 - 18 | 610006-22060 | 8 - 20 | 895610-00130 | 11 - 45 |
| 351100-22360 | 6 - 2 | 610011-22060 | 8 - 23 | 895610-00130 | 5 - 17 |
| 351100-22361 | 6 - 2 | 610011-22061 | 8 - 23 | 895612-03430 | 11 - 45 |
| 351100-22362 | 6 - 2 | 610011-22360 | 5 - 14 | 895612-03430 | 5 - 17 |
| 351100-22560 | 6 - 2 | 610012-22360 | 8 - 21 | 898513-22160 | 11 - 43 |
| 351101-22360 | 6 - 4 | 610025-22360 | 11 - 23 | 898513-22160 | 9 - 27 |
| 351101-22560 | 6 - 4 | 610025-22361 | 11 - 23 | 899580-40930 | 5 - 16 |
| 351101-22561 | 6 - 4 | 610111-22360 | 5 - 9 | 899580-68730 | 5 - 16 |
| 351110-22560 | 6 - 3 | 610210-22360 | 5 - 4 | 89958-068730 | 11 - 44 |
| 351110-22561 | 6 - 3 | 610210-22361 | 5 - 4 | 900030-00200 | 9 - 11 |
| 351129-22360 | 6 - 3 | 610222-24660 | 8 - 24 | 900031-50100 | 7 - 51 |
| 400111-22360 | 5 - 6 | 610248-22360 | 8 - 15 | 900031-50100 | 8 - 61 |
| 430410-22160 | 11 - 42 | 610248-22361 | 8 - 15 | 900031-50100 | 8 - 30 |
| 430410-22160 | 9 - 1 | 610248-22362 | 8 - 15 | 900031-50100 | 9 - 6 |
| 431610-22160 | 11 - 41 | 610282-22360 | 8 - 29 | 900035-00200 | 9 - 26 |
| 431610-22160 | 9 - 2 | 610282-22460 | 8 - 28 | 900051-00100 | 8 - 26 |
| 433014-03931 | 11 - 49 | 610298-22360 | 5 - 15 | 900051-00100 | 9 - 22 |
| 433016-39131 | 11 - 48 | 610306-22360 | 9 - 10 | 900052-00200 | 10 - 10 |
| 433019-03933 | 11 - 3 | 610309-22360 | 9 - 5 | 900052-00300 | 10 - 5 |
| 433055-22360 | 9 - 21 | 610311-22061 | 11 - 29 | 900053-00200 | 9 - 7 |
| 433095-22360 | 10 - 20 | 610311-22360 | 9 - 17 | 900053-00300 | 6 - 6 |
| 433345-22360 | 5 - 3 | 610335-22360 | 5 - 1 | 900053-00300 | 9 - 8 |
| 433345-22361 | 5 - 3 | 610335-22460 | 5 - 1 | 900053-00400 | 6 - 5 |
| 433345-22460 | 5 - 11 | 610360-22360 | 9 - 18 | 900053-00400 | 7 - 5 |
| 433345-22560 | 5 - 12 | 610407-22460 | 9 - 3 | 900053-00400 | 7 - 5 |
| 433345-22660 | 8 - 11 | 610410-22360 | 9 - 9 | 900053-00400 | 8 - 16 |
| 436001-22060 | 10 - 3 | 610810-22360 | 8 - 13 | 900053-00400 | 8 - 27 |
| 436005-22360 | 10 - 2 | 610850-22560 | 8 - 34 | 900053-00400 | 9 - 4 |
| 436012-37830 | 11 - 37 | 699025-22360 | 10 - 11 | 900053-00500 | 7 - 6 |
| 436205-02832 | 11 - 19 | 707000-22360 | 10 - 13 | 900053-00500 | 8 - 16 |
| 436205-22360 | 10 - 8 | 880050-22360 | 8 - 22 | 900056-00200 | 9 - 25 |
| 437000-22360 | 10 - 1 | 889960-22660 | 8 - 9 | 900105-05055 | 3 - 36 |
| 437000-22460 | 10 - 21 | 890011-22360 | 5 - 7 | 900151-05025 | 1 - 21 |
| 437002-39130 | 11 - 10 | 890011-22460 | 5 - 5 | 900162-04022 | 2 - 12 |
| 437015-37330 | 11 - 15 | 890068-24660 | 1 - 27 | 900162-05022 | 1 - 6 |
| 437016-39130 | 11 - 17 | 890068-24661 | 1 - 27 | 900162-05025 | 1 - 21 |
| 437019-38330 | 11 - 12 | 890118-49130 | 11 - 4 | 900162-05028 | 1 - 19 |
| 437024-37330 | 11 - 13 | 890118-49130 | 2 - 36 | 900163-04016 | 1 - 24 |
| 437029-37330 | 11 - 16 | 890121-05360 | 3 - 21 | 900163-04016 | 1 - 31 |
| 437041-22360 | 10 - 17 | 890121-06360 | 3 - 21 | 900163-04016 | 2 - 35 |
| 437062-37330 | 11 - 14 | 890160-22660 | 5 - 8 | 900238-04010 | 3 - 35 |
| 437063-38330 | 11 - 27 | 895112-00330 | 11 - 47 | 900238-04012 | 1 - 26 |
| 437068-22360 | 10 - 14 | 895112-00330 | 5 - 19 | 900238-05016 | 4 - 12 |
| 437122-22060 | 10 - 4 | 895112-00330 | 5 - 20 | 900238-05020 | 3 - 8 |

Index

| Patrs Number | Key No. | Patrs Number | Key No. | Patrs Number | Key No. |
|---------------------|----------------|---------------------|----------------|---------------------|----------------|
| 900242-05065 | 3 - 17 | P021-001102 | 1 - 8 | | |
| 900253-05016 | 1 - 29 | P021-002861 | 11 - 44 | | |
| 900500-00005 | 3 - 6 | P021-003530 | 6 - 50 | | |
| 900502-00006 | 8 - 17 | P021-003531 | 6 - 50 | | |
| 900600-00005 | 1 - 23 | P021-003540 | 8 - 60 | | |
| 900600-00005 | 3 - 37 | P021-004260 | 3 - 14 | | |
| 900603-00005 | 4 - 14 | V103-000111 | 3 - 9 | | |
| 900603-00005 | 8 - 37 | V104-000001 | 3 - 32 | | |
| 900605-00005 | 1 - 22 | V104-000002 | 3 - 32 | | |
| 900701-00012 | 2 - 6 | V104-000003 | 3 - 32 | | |
| 900702-00032 | 2 - 8 | V137-000030 | 4 - 8 | | |
| 900706-00012 | 11 - 24 | V204-000090 | 8 - 26 | | |
| 900802-06001 | 9 - 15 | V224-000000 | 11 - 40 | | |
| 900802-06002 | 5 - 10 | V253-000000 | 11 - 1 | | |
| 900810-36201 | 1 - 16 | V253-000010 | 11 - 18 | | |
| 900814-06201 | 2 - 7 | V253-000020 | 11 - 34 | | |
| 940420-06001 | 11 - 25 | V253-000030 | 11 - 33 | | |
| A011-000000 | 1 - 17 | V354-000010 | 11 - 30 | | |
| A011-000001 | 1 - 17 | V470-000180 | 11 - 22 | | |
| A011-000002 | 1 - 17 | V471-001190 | 4 - 11 | | |
| A101-000000 | 1 - 9 | V471-001200 | 4 - 7 | | |
| A130-000010 | 1 - 5 | V553-000010 | 1 - 4 | | |
| A130-000011 | 1 - 5 | V553-000030 | 1 - 4 | | |
| A313-000000 | 3 - 34 | V583-000010 | 11 - 6 | | |
| A320-000250 | 3 - 29 | V620-000000 | 8 - 22 | | |
| A320-000251 | 3 - 29 | V645-000000 | 8 - 22 | | |
| A356-000030 | 4 - 5 | V651-000041 | 11 - 26 | | |
| A365-000050 | 11 - 38 | V651-000042 | 11 - 26 | | |
| C200-000000 | 11 - 31 | X490-000060 | 11 - 43 | | |
| C300-000000 | 11 - 5 | X490-000060 | 9 - 27 | | |
| C300-000001 | 11 - 5 | | | | |
| C410-000090 | 7 - 4 | | | | |
| C450-000090 | 8 - 7 | | | | |
| C510-000050 | 8 - 15 | | | | |
| C510-000120 | 8 - 15 | | | | |
| C525-000000 | 8 - 13 | | | | |
| C531-000030 | 11 - 2 | | | | |
| C531-000040 | 11 - 39 | | | | |
| C534-000020 | 11 - 28 | | | | |
| C580-000070 | 11 - 8 | | | | |
| P005-000590 | 12 - 24 | | | | |
| P021-000310 | 3 - 28 | | | | |
| P021-000311 | 3 - 28 | | | | |
| P021-000312 | 3 - 28 | | | | |
| P021-000313 | 3 - 28 | | | | |
| P021-000314 | 3 - 28 | | | | |
| P021-000950 | 11 - 36 | | | | |
| P021-000951 | 11 - 36 | | | | |
| P021-001101 | 1 - 8 | | | | |

YAMABIKO CORPORATION

7-2 SUEHIROCHO 1-CHOME, OHME, TOKYO 198-8760, JAPAN
PHONE: 81-428-32-6118. FAX: 81-428-32-6145.

ECHO®



2100
No.