



PARTS CATALOG

POWER PRUNER

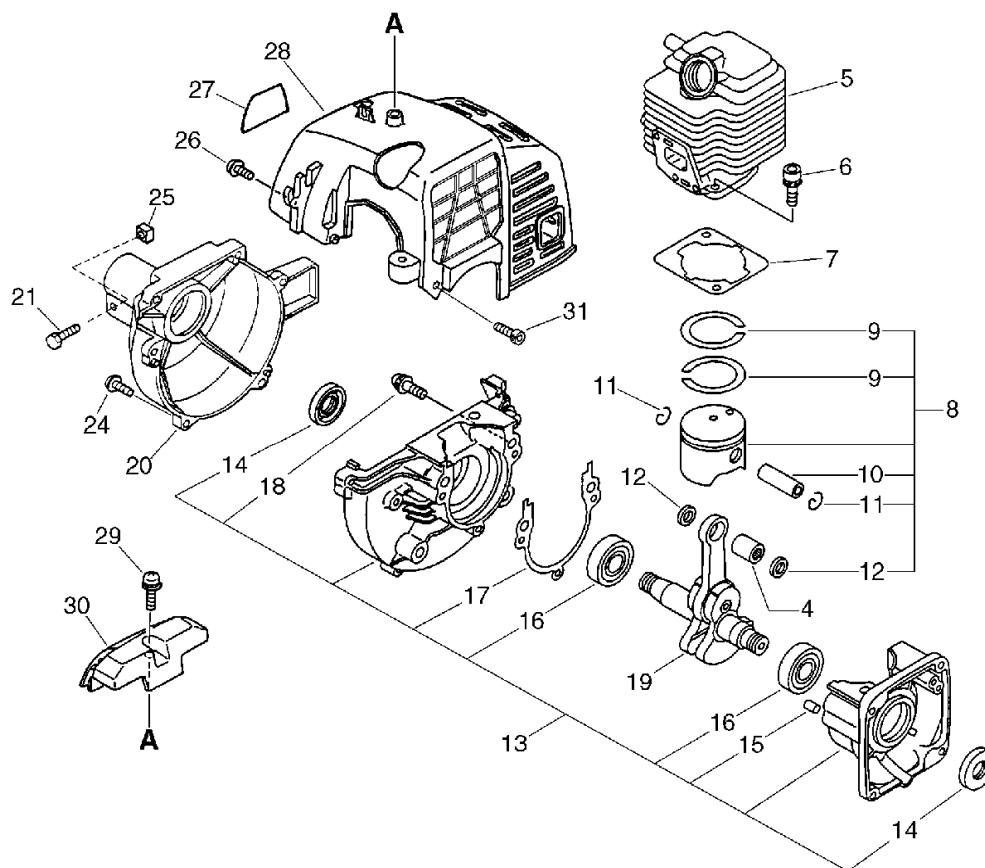
PPSR-2433



PPSR-2433

1. Cylinder, Crankcase, Piston, Fan Cover

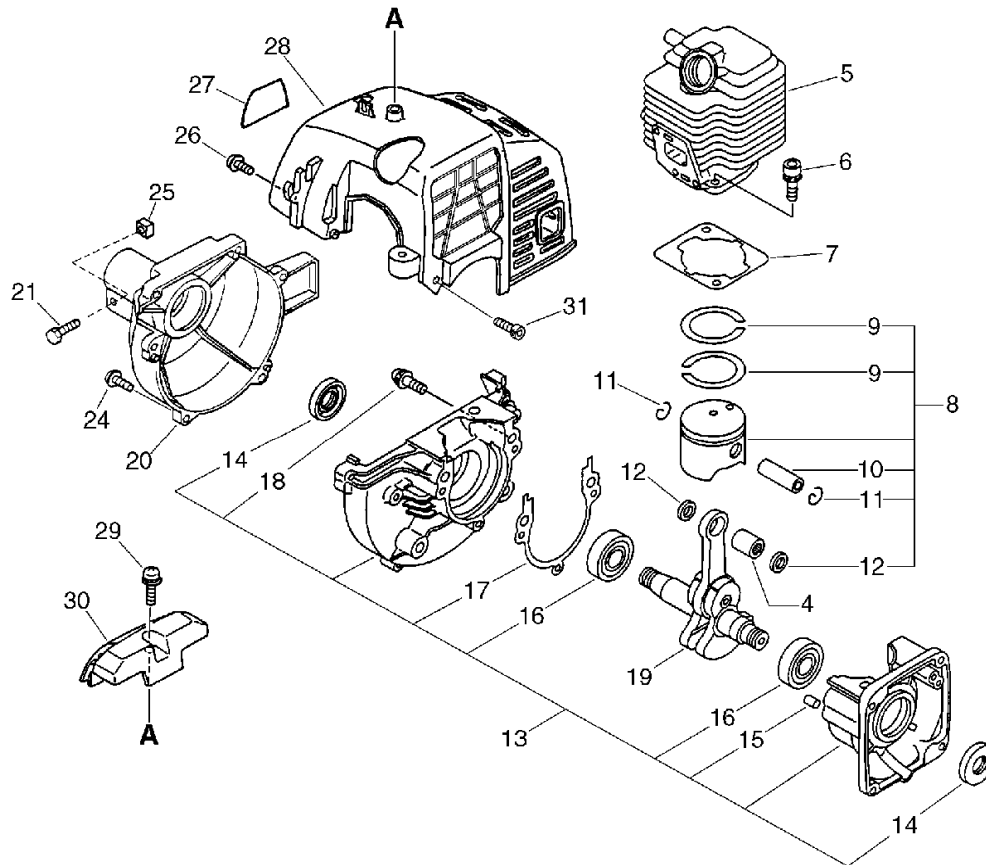
No.1



KEY	LV	PART NUMBER	Q'TY	DESCRIPTION	REMARKS	NOTE1	NOTE2
5		101011-08961	1	CYLINDER (CR)			
6		900162-05022	2	BOLT, H.S. 5*22	5*22 W,SW		
7		101010-44332	1	GASKET, CYL. BASE			
8		100000-09563	1	PISTON KIT			
9	+	100011-09560	2	RING, PISTON			
10	+	100013-11520	1	PIN, PISTON			
11	+	100015-04630	2	CIRCLIP, PISTON PIN			
12	+	100014-11520	2	SPACER, PISTON PIN			
13		100204-52130	1	CRANKCASE KIT		Sus. by 100204-52132	
13		100204-52131	1	CRANKCASE KIT		Sus. by 100204-52132	
13		100204-52132	1	CRANKCASE KIT		Sus. by 100204-52132	
14	+	100212-42030	2	OILSEAL	ISCD12*22*4.5	Sus. by 100212-42031	
14	+	100212-42031	2	OILSEAL	ISCD 12*22*4.5		
15	+	100215-03930	2	PIN, DOWEL			
16	+	900810-36201	2	BEARING, BALL 6201	6201/C3	Sus. by 94035-36201	
16	+	94035-36201	2	BEARING BALL	6201X3JR2C3		
17	+	100242-42030	1	GASKET, CRANKCASE			
18	+	900162-05028	3	BOLT, H.S. 5*28	5*28 W,SW		
19		100100-44732	1	CRANKSHAFT ASSY		Sus. by A011-000101	

1. Cylinder, Crankcase, Piston, Fan Cover

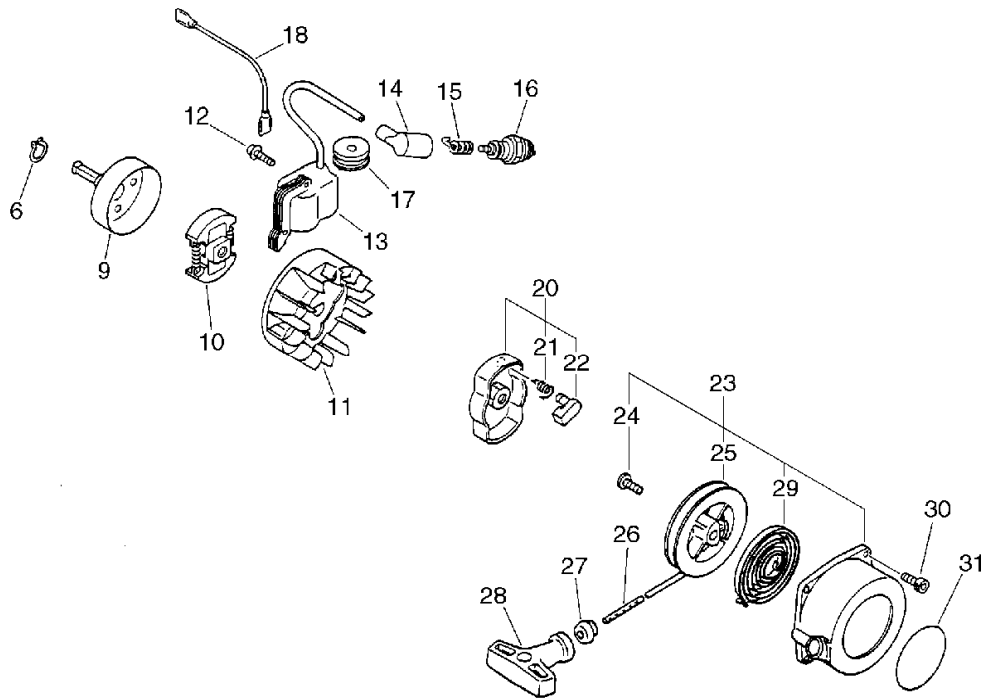
No.1



KEY	LV	PART NUMBER	Q'TY	DESCRIPTION	REMARKS	NOTE1	NOTE2
19		A011-000100	1	CRANKSHAFT,ASM		Sus. by A011-000101	
19		A011-000101	1	CRANKSHAFT,ASM			
4	+	100012-51230	1	BEARING, NEEDLE	8*12*10	Sus. by V553-000010	
4	+	V553-000010	1	BEARING,NEEDLE 8	HK0810		
20		101507-44330	1	COVER, FAN (BS)			
21		900142-05028	2	BOLT 5*28 (W/W,SW)	5*28		
24		900163-04018	4	BOLT HSH			
25		900565-50005	2	NUT 5	5		
26		900253-04012	2	SCREW	4*12		
27		890115-26360	1	LABEL, MODEL			
28		101514-44531	1	COVER, CYLINDER			
29		900253-05016	1	SCREW	5*16		
30		159912-44530	1	GUARD, TOP			
31		900163-04016	2	BOLT HSH			

2. Starter, Magneto, Clutch

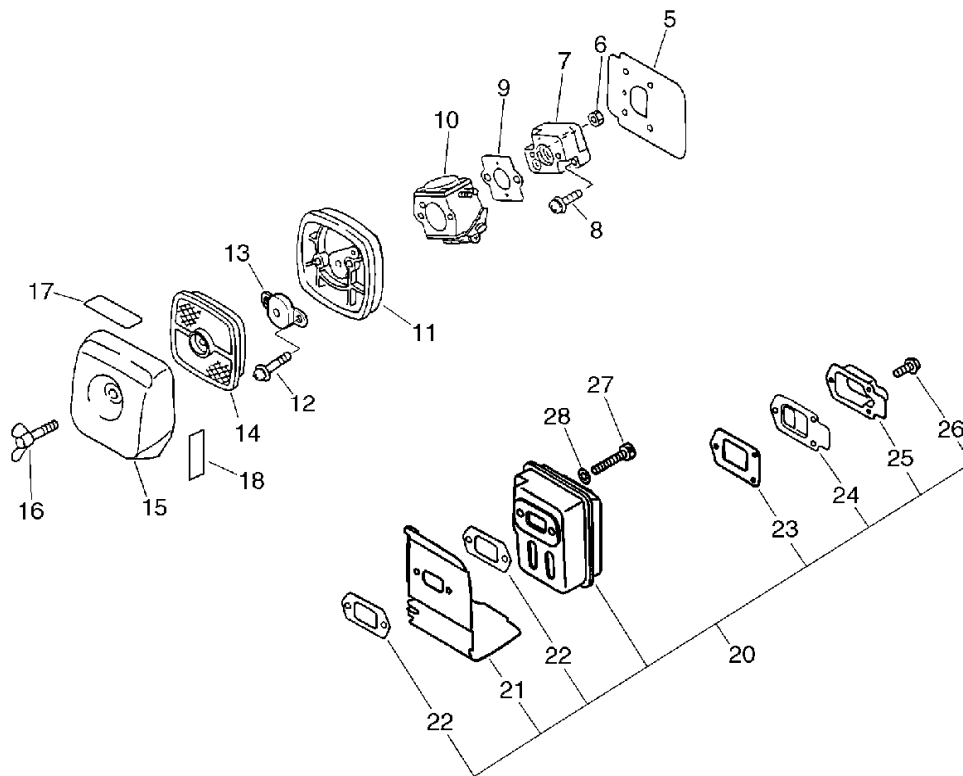
No.2



KEY	LV	PART NUMBER	Q'TY	DESCRIPTION	REMARKS	NOTE1	NOTE2
6		900701-00012	1	CIRCLIP 12	CS-12		
9		175005-44331	1	DRUM, CLUTCH			
10		175000-56830	1	CLUTCH ASSY			
11		156801-09660	1	FLYWHEEL			
12		900162-04022	2	BOLT, H.S. 4*22	4*22 W,SW		
13		156626-52730	1	COIL, IGNITION			
14		159012-03433	1	CAP, SPARK PLUG			
15		159011-03432	1	COIL, SPARK PLUG			
16		159010-10230	1	PLUG, SPARK (BPMR-7A)	BPMR-7A		
17		150112-44330	1	BUSHING			
18		162010-52830	1	LEAD, GROUND			
20		177202-44330	1	PAWL ASSY, STARTER		Sus. by 177202-44331	
20		177202-44331	1	PAWL ASM., STARTER			
21	+	177234-42030	1	SPRING, RETURN			
22	+	177218-44330	1	PAWL, STARTER	BLACK		
23		177200-42033	1	STARTER ASSY			
24	+	177236-44330	1	SCREW			
25	+	177215-44430	1	DRUM, STARTER			
26	+	177226-10120	1	ROPE, STARTER	3.0*1000		
27	+	177227-42030	1	GUIDE, ROPE			
28	+	177228-06530	1	GRIP, STARTER			
29	+	177220-42030	1	SPRING, REWIND			
30		900163-04016	2	BOLT HSH			
31		890118-49130	1	LABEL, ECHO			

3. Air Cleaner, Muffler

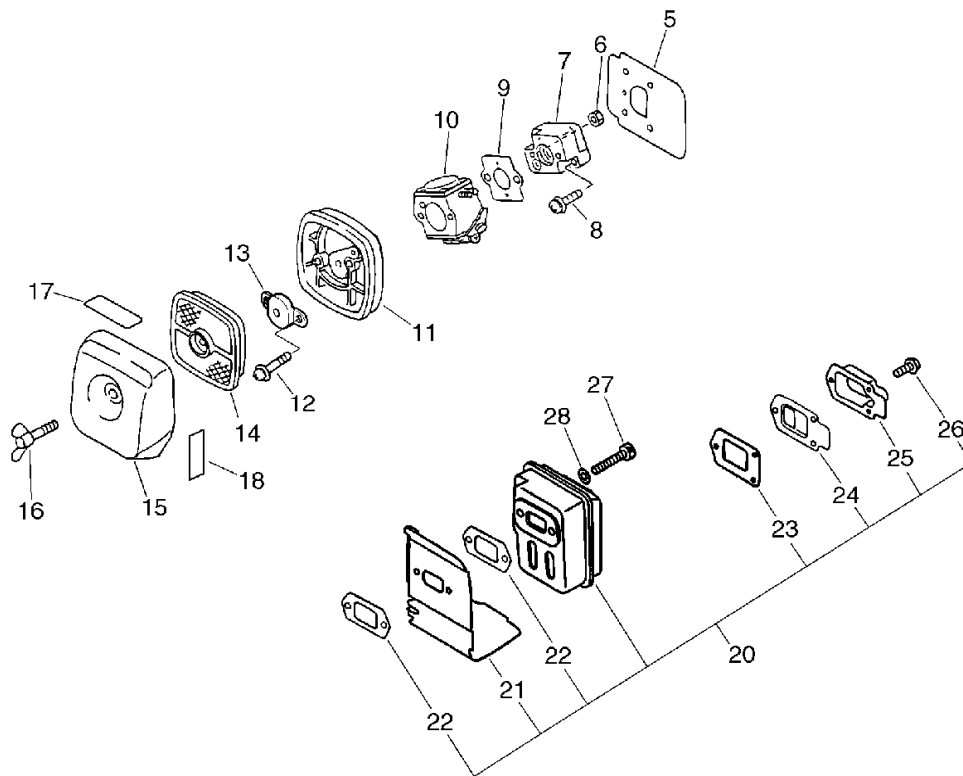
No.3



KEY	LV	PART NUMBER	Q'TY	DESCRIPTION	REMARKS	NOTE1	NOTE2
5		130010-42032	1	GASKET,INTAKE			
6		900500-00005	2	NUT 5	5		
7		130017-42031	1	INSULATOR, INTAKE			
8		900238-05020	2	SCREW 5*20	5*20		
9		130010-05960	1	GASKET, INTAKE			
10		123000-52133	1	CARBURETOR WT-424C	WT-424C		
11		130307-06761	1	CASE,AIR CLEANER			
12		900242-05065	2	SCREW 5*65	5*65		
13		129011-06360	1	PLATE, PREVENT		Sus. by 129011-06361	
13		129011-06361	1	PLATE, PREVENT			
14		130310-54130	1	FILTER, AIR			
15		130313-05863	1	LID, AIR CLEANER			
16		210417-52730	1	BOLT, WING	5*20		
17		890334-52730	1	LABEL, METERING			
18		890332-52730	1	LABEL, CHOKE			
20		145802-52630	1	MUFFLER ASSY		Sus. by 145802-52633	
20		145802-52631	1	MUFFLER ASY (SAM)		Sus. by 145802-52633	
20		145802-52632	1	MUFFLER ASY (SAM)		Sus. by 145802-52633	
20		145802-52633	1	MUFFLER ASY (SAM)			
21	+	145871-44331	1	COVER, MUFFLER		Sus. by A320-000251	

3. Air Cleaner, Muffler

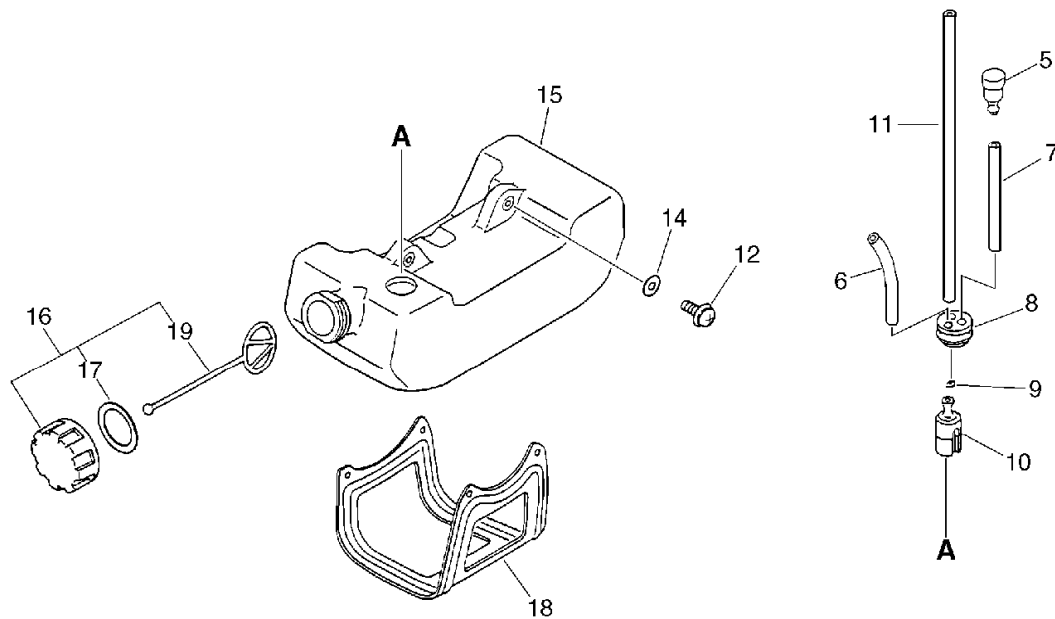
No.3



KEY	LV	PART NUMBER	Q'TY	DESCRIPTION	REMARKS	NOTE1	NOTE2
21	+	145631-42030	1	COVER, MUFFLER		Sus. by A320-000251	
21	+	A320-000250	1	COVER,MUFFLER		Sus. by A320-000251	
21	+	A320-000251	1	COVER,MUFFLER			
22	+	145510-42031	2	GASKET, MUFFLER		Sus. by V104-000160	
22	+	V104-000160	2	GASKET,EXHAUST			
23	+	145866-42031	1	GASKET, MUFFLER LID			
24	+	145876-42030	1	LID, MUFFLER (B)			
25	+	145818-52130	1	GUIDE, EXHAUST			
26	+	900238-04010	3	SCREW 4*10	4*10		
27		900105-05055	2	BOLT, H.S. 5*55	5*55		
28		900600-00005	2	WASHER 5	5		

4. Fuel Tank

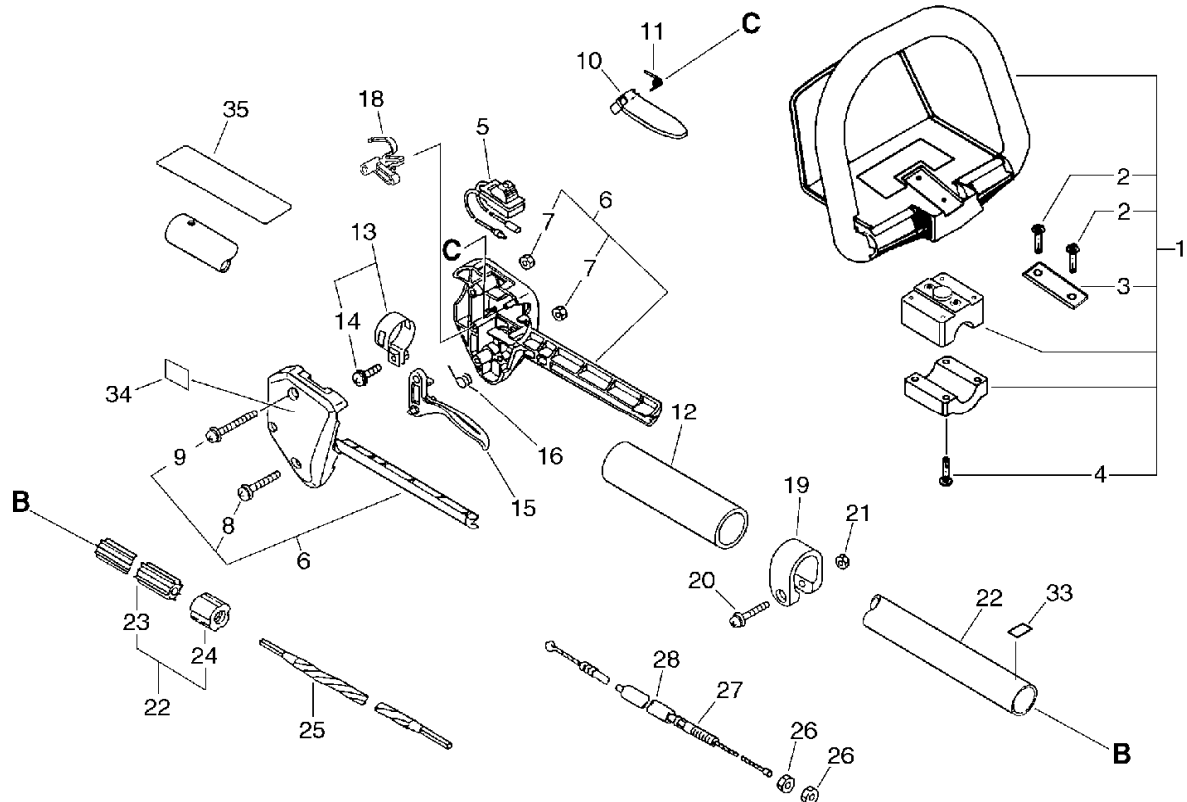
No.4



KEY	LV	PART NUMBER	Q'TY	DESCRIPTION	REMARKS	NOTE1	NOTE2
5		131300-56430	1	VALVE, CHECK		Sus. by A356-000030	
5		A356-000030	1	VALVE,CHECK			
6		132010-56330	1	PIPE 3*6*90	3*6*90 YL		
7		131312-39130	1	PIPE	3*5*70(+3)NBR	Sus. by V471-001200	
7		V471-001200	1	PIPE	3*5*70 NBR		
8		132115-46730	1	GROMMET, FUEL		Sus. by V137-000030	
8		V137-000030	1	GROMMET,FUEL			
9		132013-09820	1	CLIP	6MM		
10		131205-07320	1	STRAINER, FUEL			
11		132010-13930	1	PIPE, FUEL	3*5*180L NBR	Sus. by V471-001190	
11		V471-001190	1	PIPE	3*5*180 NBR		
12		900238-05016	2	SCREW 5*16	5*16		
14		900603-00005	2	WASHER 5	5.5*12*0.8		
15		131005-46830	1	TANK, FUEL		Sus. by 131005-46831	
15		131005-46831	1	TANK, FUEL			
16		131004-08960	1	CAP ASSY, FUEL			
17	+	131016-55830	1	GASKET, FUEL CAP			
19	+	131051-52430	1	CONNECTOR, CAP	80L		
18		305110-42030	1	STAND (BL)			

5. Handle

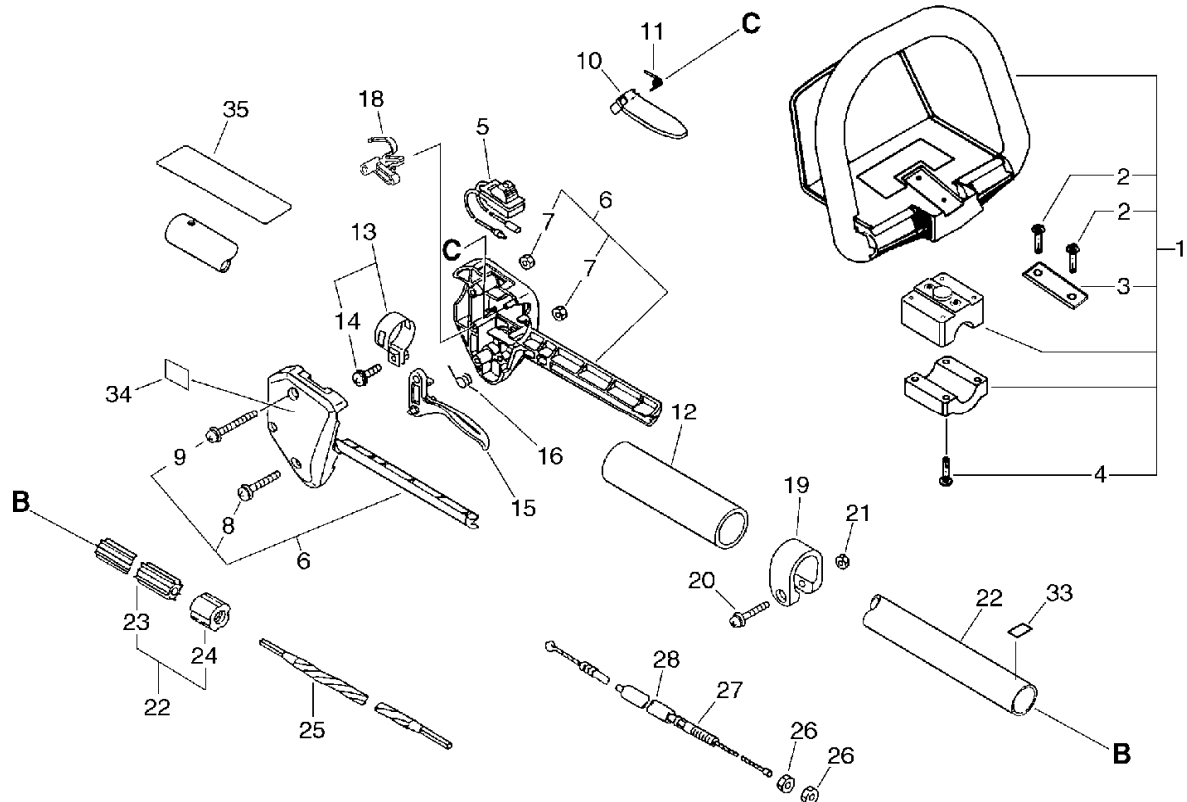
No.5



KEY	LV	PART NUMBER	Q'TY	DESCRIPTION	REMARKS	NOTE1	NOTE2
1		351201-21560	1	HANDLE,FRONT ASY			
2	+	900162-05030	2	BOLT, H.S. 5*30	5*30 W,SW		
3	+	351611-05360	1	WASHER			
4	+	889950-21560	4	SCREW 5			
5		163400-49230	1	SWITCH, IGNITION		Sus. by 163401-55631	
5		163401-55631	1	SWITCH, IGNITION			
6		178003-52731	1	BRACKET SET,THROTTLE			
7	+	900500-00005	2	NUT 5	5		
8	+	900242-05025	1	SCREW 5*25	5*25		
9	+	900242-05035	1	SCREW 5*35	5*35		
10		178090-52630	1	LOCKOUT, T. CONTROL		Sus. by 178090-52632	
10		178090-52631	1	LOCKOUT, T. CONTROL		Sus. by 178090-52632	
10		178090-52632	1	LOCKOUT, T. CONTROL			
11		178013-52630	1	SPRING, THR. LOCK			
12		351213-52730	1	GRIP, FRONT HANDLE			
13		301201-52730	1	BAND HOOK(W/SCREW)			
14	+	900242-05014	1	SCREW 5*14	5*14		
15		178010-52130	1	CONTROL, THROTTLE			
16		178043-42230	1	SPRING, THR. RETURN			
18		178012-52730	1	LOCKOUT, THROTTLE			
19		610272-52730	1	BAND, GRIP			
20		900242-05028	1	SCREW 5*28	5*28		
21		900500-00005	1	NUT 5	5		

5. Handle

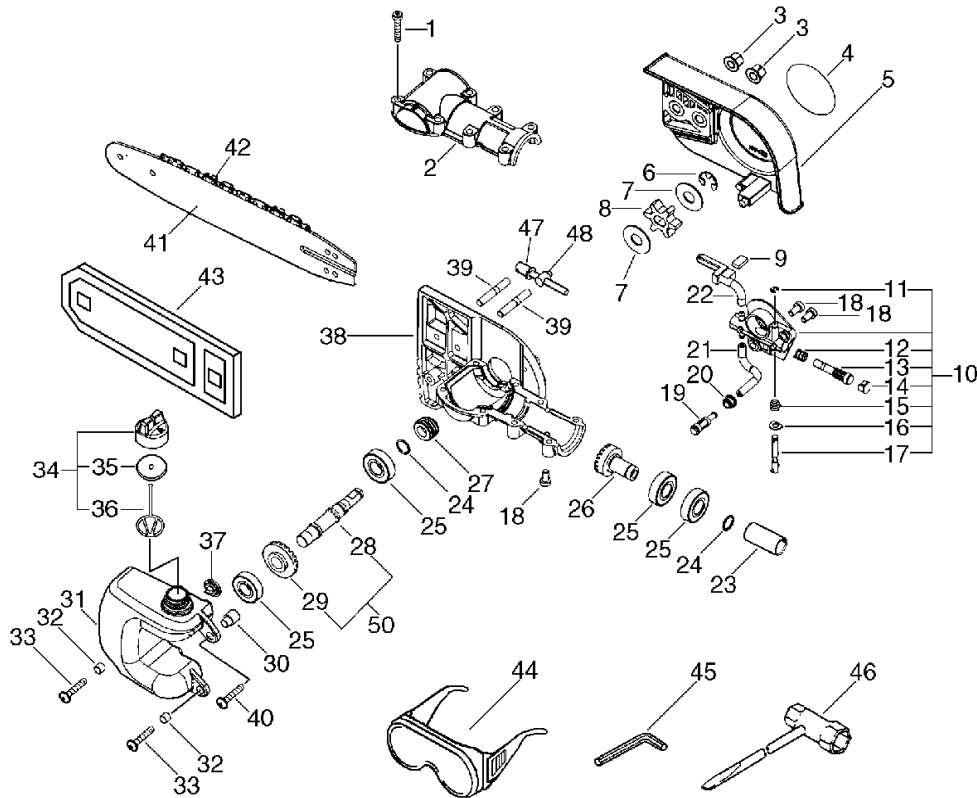
No.5



KEY	LV	PART NUMBER	Q'TY	DESCRIPTION	REMARKS	NOTE1	NOTE2
22		610206-26362	1	PIPE, MAIN	PPSR-2433		
23	+	610217-21560	1	LINER, FLEXIBLE			
24	+	610246-55330	2	FIXTURE, LINER			
25		610013-21560	1	SHAFT, FLEXIBLE			
26		900502-00006	2	NUT 6 (3N)	3N6		
27		178001-44430	1	WIRE, THROTTLE			
28		178127-21360	1	TUBE	7*10*120		
33		890152-04930	1	LABEL, CAUTION			
34		890157-39130	1	LABEL, SWITCH			
35		890160-22660	1	LABEL, CAUTION			

6. Auto-Oiler, Gear Case, Tools

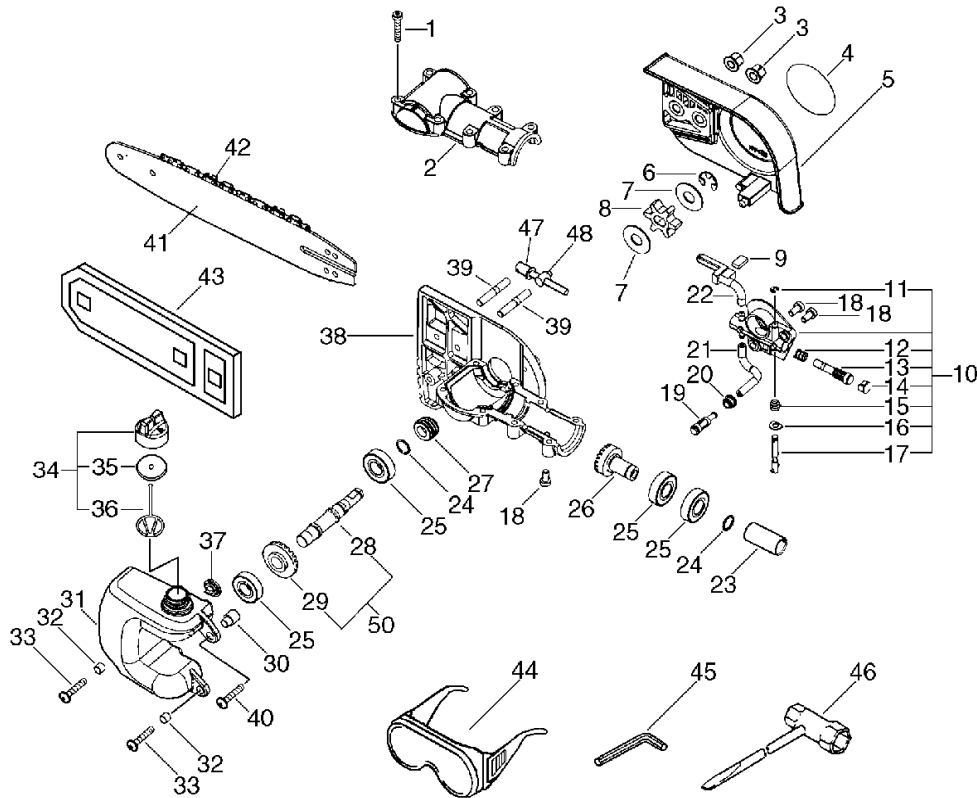
No.6



KEY	LV	PART NUMBER	Q'TY	DESCRIPTION	REMARKS	NOTE1	NOTE2
1		V253-000000	8	SCREW,5	5*25		
2		C531-000010	1	CASE,GEAR	25.5		
3		433019-03933	2	NUT, FLANGE 6	6		
4		890118-49130	1	LABEL, ECHO			
5		C300-000000	1	GUARD,SPROCKET		Sus. by C300-000001	
5		C300-000001	1	GUARD,SPROCKET			
6		V583-000010	1	RING			
7		175014-39130	2	WASHER, CLUTCH	10.2*25*1.2	Sus. by 175014-39131	
7		175014-39131	2	WASHER, CLUTCH	10.2*24.5*1.2		
8		C580-000070	1	SPROCKET,DRIVE			
9		437244-39130	1	PAD, FORM			
10		437002-39130	1	AUTO-OILER ASSY			
11	+	123127-15030	1	RING			
12	+	437019-38330	1	SPRING			
13	+	437024-37330	1	PLUNGER			
14	+	437062-37330	1	CAP, OIL PUMP			
15	+	437015-37330	1	SPRING			
16	+	437029-37330	1	WASHER			
17	+	437016-39130	1	NEEDLE, ADJUST			
18		V253-000010	3	SCREW,5	5*10		
19		436205-02832	1	STRAINER, OIL			
20		132115-01461	1	GROMMET			
21		130110-12330	1	PIPE, IMPULSE	3*6*70L		

6. Auto-Oiler, Gear Case, Tools

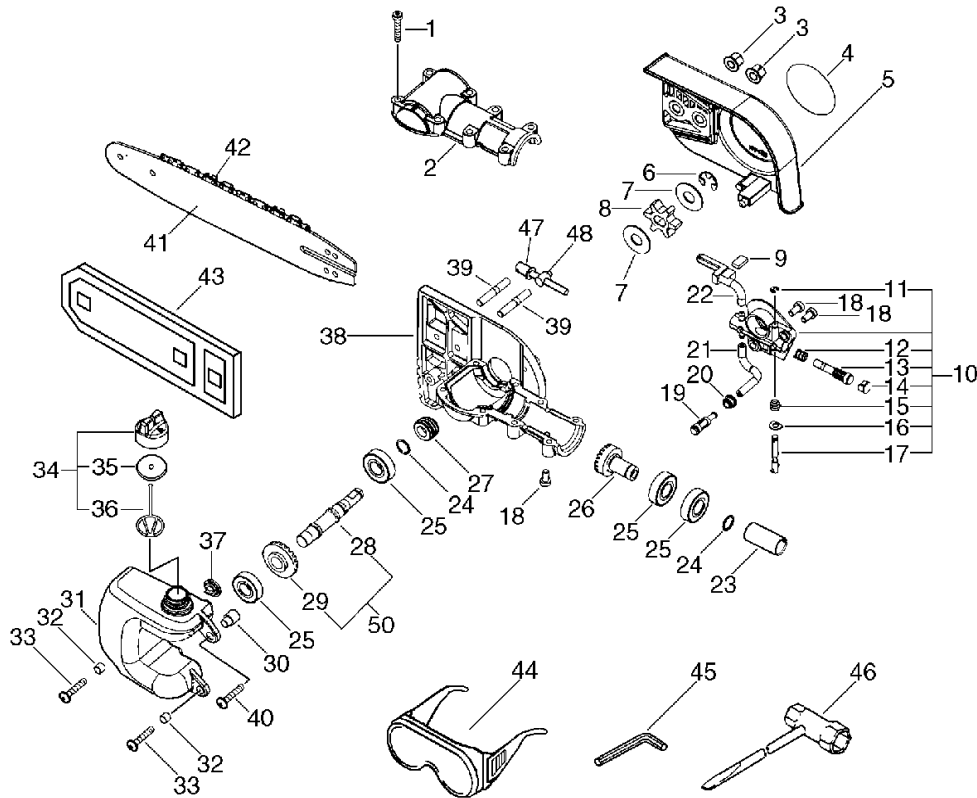
No.6



KEY	LV	PART NUMBER	Q'TY	DESCRIPTION	REMARKS	NOTE1	NOTE2
22		V470-000180	1	PIPE			
23		V362-000010	1	COLLAR,22	22MM X 51 MM		
24		900706-00012	2	CIRCLIP 12	WR-12		
25		94052-06001	4	BEARING BALL	PEER LLU,DDU	Sus. by 94042-06001	
25		94042-06001	4	BEARING BALL	6001LLU		
26		V651-000030	1	GEAR,BEVEL		Sus. by V651-000032	
26		V651-000031	1	GEAR,BEVEL		Sus. by V651-000032	
26		V651-000032	1	GEAR,BEVEL			
27		437063-38330	1	GEAR, WORM			
28		C534-000020	1	SHAFT,GEAR		Sus. by P021-005392	
29		610311-22060	1	GEAR		Sus. by P021-005392	
29		610311-22061	1	GEAR		Sus. by P021-005392	
50		P021-005391	1	GEAR SET		Sus. by P021-005392	
50		P021-005392	1	GEAR SET			
28	+	C534-000180	1	SHAFT,GEAR		Can be used P021-005391,5392	
29	+	V651-000110	1	GEAR,BEVEL		Sus. by V651-000111	

6. Auto-Oiler, Gear Case, Tools

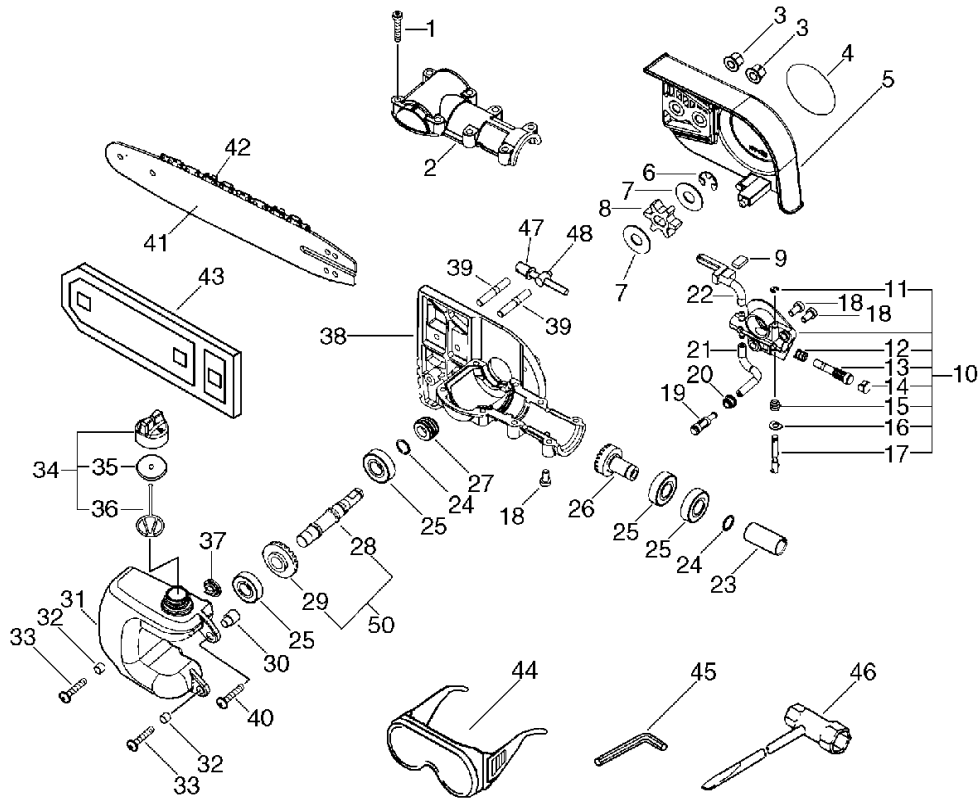
No.6



KEY	LV	PART NUMBER	Q'TY	DESCRIPTION	REMARKS	NOTE1	NOTE2
29	+	V651-000111	1	GEAR,BEVEL			Can be used P021-005392 only
30		V354-000010	1	COLLAR,6			
31		C200-000000	1	TANK,OIL			
32		131045-28230	2	COLLAR			
33		V253-000030	2	SCREW,5	5*16		
34		P021-000950	1	CAP ASSY, OIL			Sus. by P021-000951
34		P021-000951	1	CAP ASSY, OIL			
35	+	436012-37830	1	GASKET, CIRCULAR			
36	+	131051-19830	1	LINK	60L		Sus. by A365-000050
36	+	A365-000050	1	CONNECTOR,CAP			
37		131314-06320	1	VALVE, CHECK			
38		C531-000020	1	CASE,GEAR	25.5		
39		V224-000000	2	BOLT,STUD 6			
40		V253-000020	1	SCREW,5	5*28		
41		X102-000000	1	BAR,GUIDE 30	30 INTENZ		Sus. by 430411-22460
41		430411-22460	1	BAR, GUIDE	30 (PP)		
42		X202-000000	1	CHAIN,SAW	91VG-44E		
43		898513-22360	1	SCABBARD, GUIDE BAR			Sus. by X490-000050
43		X490-000050	1	SCABBARD,CHAIN	12' BAR		

6. Auto-Oiler, Gear Case, Tools

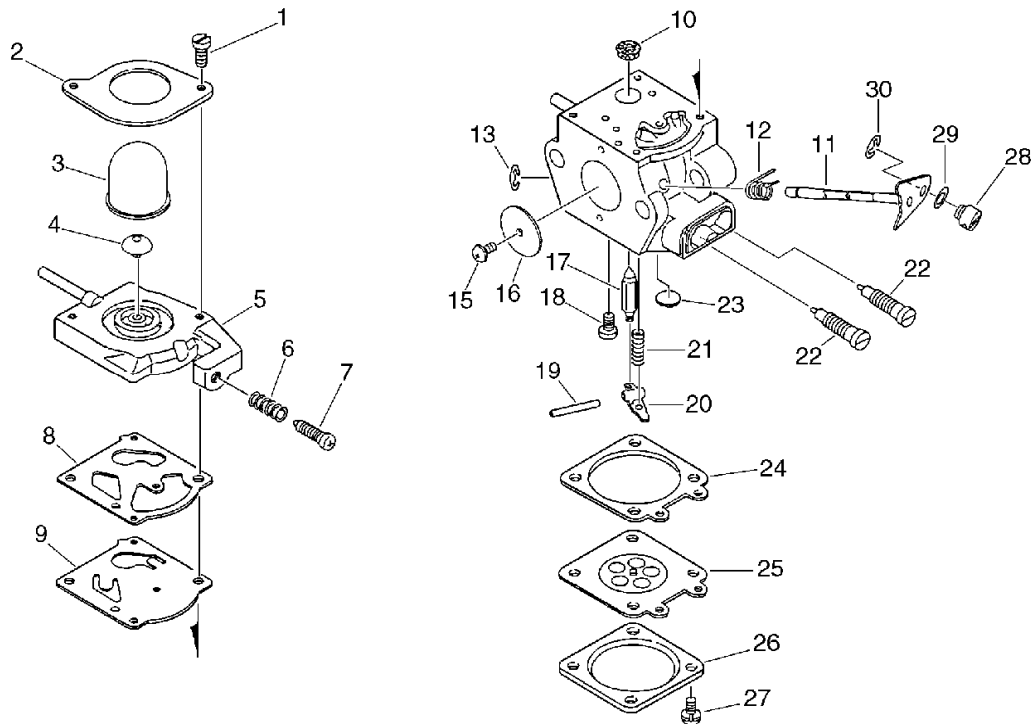
No.6



KEY	LV	PART NUMBER	Q'TY	DESCRIPTION	REMARKS	NOTE1	NOTE2
44		899580-68730	1	SAFETY GLASSES		Sus. by P021-002861	
44		P021-002861	1	GOGGLES			
45		895612-03430	1	L-WRENCH (3MM)			
46		895410-39130	1	WRENCH, W/S-DRIVER		Sus. by 895410-39131	
46		895410-39131	1	WRENCH, W/S-DRIVER			
47		433016-39131	1	BOLT			
48		433014-03931	1	TENSIONER			

7. Carburetor

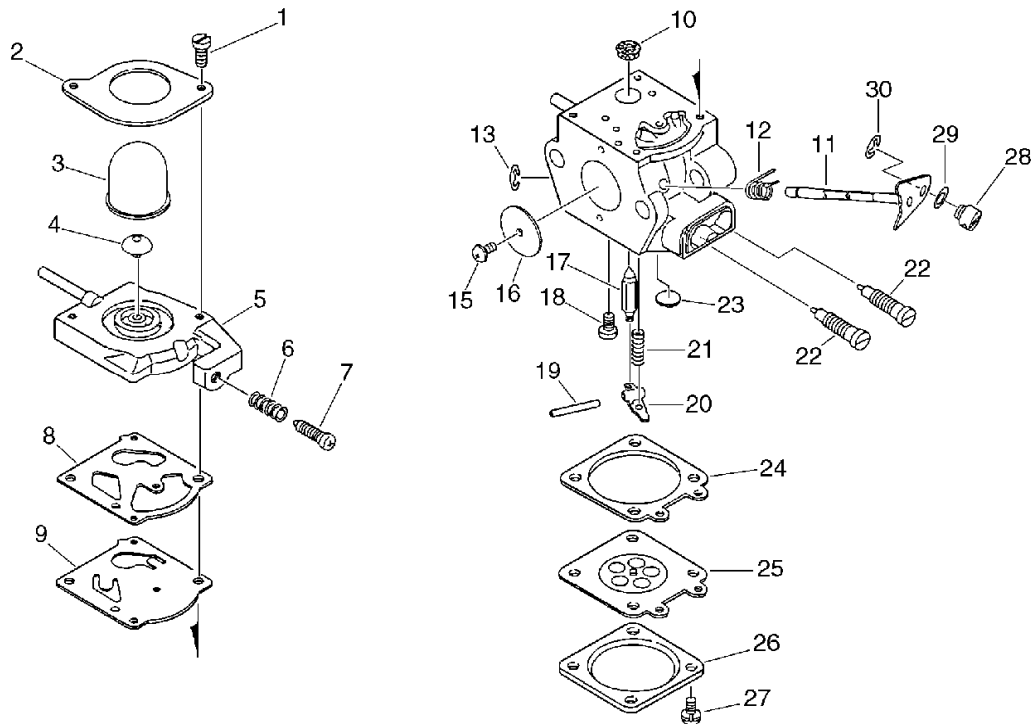
No.7



KEY	LV	PART NUMBER	Q'TY	DESCRIPTION	REMARKS	NOTE1	NOTE2
		123000-52133	1	CARBURETOR WT-424C	WT-424C		
1	+	123110-43130	2	SCREW			
2	+	123142-09560	1	COVER, PRIMER PUMP			
3	+	123181-09560	1	PUMP, PRIMER			
4	+	123171-35630	1	VALVE, CHECK			
5	+	123124-43230	1	COVER, FUEL PUMP			
6	+	123133-04260	1	SPRING, IDLE ADJUST			
7	+	123134-04260	1	SCREW, IDLE ADJUST			
8	+	123125-09560	1	GASKET, FUEL PUMP			
9	+	123112-09560	1	DIAPHRAGM, FUEL PUMP			
10	+	123126-10631	1	SCREEN, INLET			
11	+	123117-52130	1	SHAFT, THROTTLE			
12	+	123113-52130	1	SPRING, THE.RTN			
13	+	123127-15030	1	RING			
15	+	123114-38830	1	SCREW			
16	+	123116-53130	1	VALVE, THROTTLE			
17	+	123137-19830	1	VALVE, INLET NEEDLE			
18	+	123139-03930	1	SCREW, M. LEVER PIN			
19	+	123138-03930	1	PIN, METERING LEVER			
20	+	123123-03930	1	LEVER, METERING			
21	+	123122-39330	1	SPRING, METER. LEVER			
22	+	123120-52131	2	NEEDLE, HIGH SPEED			
23	+	123146-10631	1	PLUG, WELCH			
24	+	123140-03930	1	GASKET, M. DIAPHRAGM			
25	+	123141-03930	1	DIAPHRAGM, METERING			
26	+	123142-03930	1	COVER, M. DIAPHRAGM			

7. Carburetor

No.7



KEY	LV	PART NUMBER	Q'TY	DESCRIPTION	REMARKS	NOTE1	NOTE2
27	+	123130-02960	4	SCREW			
28	+	123172-26030	1	SWIVEL			
29	+	123149-26030	1	WASHER			
30	+	123173-07930	1	CLIP			

Index

Patrs Number	Key No.	Patrs Number	Key No.	Patrs Number	Key No.
100000-09563	1 - 8	123181-09560	7 - 3	175014-39131	6 - 7
100011-09560	1 - 9	129011-06360	3 - 13	177200-42033	2 - 23
100012-51230	1 - 4	129011-06361	3 - 13	177202-44330	2 - 20
100013-11520	1 - 10	130010-05960	3 - 9	177202-44331	2 - 20
100014-11520	1 - 12	130010-42032	3 - 5	177215-44430	2 - 25
100015-04630	1 - 11	130017-42031	3 - 7	177218-44330	2 - 22
100100-44732	1 - 19	130110-12330	6 - 21	177220-42030	2 - 29
100204-52130	1 - 13	130307-06761	3 - 11	177226-10120	2 - 26
100204-52131	1 - 13	130310-54130	3 - 14	177227-42030	2 - 27
100204-52132	1 - 13	130313-05863	3 - 15	177228-06530	2 - 28
100212-42030	1 - 14	131004-08960	4 - 16	177234-42030	2 - 21
100212-42031	1 - 14	131005-46830	4 - 15	177236-44330	2 - 24
100215-03930	1 - 15	131005-46831	4 - 15	178001-44430	5 - 27
100242-42030	1 - 17	131016-55830	4 - 17	178003-52731	5 - 6
101010-44332	1 - 7	131045-28230	6 - 32	178010-52130	5 - 15
101011-08961	1 - 5	131051-19830	6 - 36	178012-52730	5 - 18
101507-44330	1 - 20	131051-52430	4 - 19	178013-52630	5 - 11
101514-44531	1 - 28	131205-07320	4 - 10	178043-42230	5 - 16
123000-52133	3 - 10	131300-56430	4 - 5	178090-52630	5 - 10
123000-52133	7 -	131312-39130	4 - 7	178090-52631	5 - 10
123110-43130	7 - 1	131314-06320	6 - 37	178090-52632	5 - 10
123112-09560	7 - 9	132010-13930	4 - 11	178127-21360	5 - 28
123113-52130	7 - 12	132010-56330	4 - 6	210417-52730	3 - 16
123114-38830	7 - 15	132013-09820	4 - 9	301201-52730	5 - 13
123116-53130	7 - 16	132115-01461	6 - 20	305110-42030	4 - 18
123117-52130	7 - 11	132115-46730	4 - 8	351201-21560	5 - 1
123120-52131	7 - 22	145510-42031	3 - 22	351213-52730	5 - 12
123122-39330	7 - 21	145631-42030	3 - 21	351611-05360	5 - 3
123123-03930	7 - 20	145802-52630	3 - 20	430411-22460	6 - 41
123124-43230	7 - 5	145802-52631	3 - 20	433014-03931	6 - 48
123125-09560	7 - 8	145802-52632	3 - 20	433016-39131	6 - 47
123126-10631	7 - 10	145802-52633	3 - 20	433019-03933	6 - 3
123127-15030	6 - 11	145818-52130	3 - 25	436012-37830	6 - 35
123127-15030	7 - 13	145866-42031	3 - 23	436205-02832	6 - 19
123130-02960	7 - 27	145871-44331	3 - 21	437002-39130	6 - 10
123133-04260	7 - 6	145876-42030	3 - 24	437015-37330	6 - 15
123134-04260	7 - 7	150112-44330	2 - 17	437016-39130	6 - 17
123137-19830	7 - 17	156626-52730	2 - 13	437019-38330	6 - 12
123138-03930	7 - 19	156801-09660	2 - 11	437024-37330	6 - 13
123139-03930	7 - 18	159010-10230	2 - 16	437029-37330	6 - 16
123140-03930	7 - 24	159011-03432	2 - 15	437062-37330	6 - 14
123141-03930	7 - 25	159012-03433	2 - 14	437063-38330	6 - 27
123142-03930	7 - 26	159912-44530	1 - 30	437244-39130	6 - 9
123142-09560	7 - 2	162010-52830	2 - 18	610013-21560	5 - 25
123146-10631	7 - 23	163400-49230	5 - 5	610206-26362	5 - 22
123149-26030	7 - 29	163401-55631	5 - 5	610217-21560	5 - 23
123171-35630	7 - 4	175000-56830	2 - 10	610246-55330	5 - 24
123172-26030	7 - 28	175005-44331	2 - 9	610272-52730	5 - 19
123173-07930	7 - 30	175014-39130	6 - 7	610311-22060	6 - 29

Index

Patrs Number	Key No.	Patrs Number	Key No.	Patrs Number	Key No.
610311-22061	6 - 29	A320-000250	3 - 21		
889950-21560	5 - 4	A320-000251	3 - 21		
890115-26360	1 - 27	A356-000030	4 - 5		
890118-49130	2 - 31	A365-000050	6 - 36		
890118-49130	6 - 4	C200-000000	6 - 31		
890152-04930	5 - 33	C300-000000	6 - 5		
890157-39130	5 - 34	C300-000001	6 - 5		
890160-22660	5 - 35	C531-000010	6 - 2		
890332-52730	3 - 18	C531-000020	6 - 38		
890334-52730	3 - 17	C534-000020	6 - 28		
895410-39130	6 - 46	C534-000180	6 - 28		
895410-39131	6 - 46	C580-000070	6 - 8		
895612-03430	6 - 45	P021-000950	6 - 34		
898513-22360	6 - 43	P021-000951	6 - 34		
899580-68730	6 - 44	P021-002861	6 - 44		
900105-05055	3 - 27	P021-005391	6 - 50		
900142-05028	1 - 21	P021-005392	6 - 50		
900162-04022	2 - 12	V104-000160	3 - 22		
900162-05022	1 - 6	V137-000030	4 - 8		
900162-05028	1 - 18	V224-000000	6 - 39		
900162-05030	5 - 2	V253-000000	6 - 1		
900163-04016	1 - 31	V253-000010	6 - 18		
900163-04016	2 - 30	V253-000020	6 - 40		
900163-04018	1 - 24	V253-000030	6 - 33		
900238-04010	3 - 26	V354-000010	6 - 30		
900238-05016	4 - 12	V362-000010	6 - 23		
900238-05020	3 - 8	V470-000180	6 - 22		
900242-05014	5 - 14	V471-001190	4 - 11		
900242-05025	5 - 8	V471-001200	4 - 7		
900242-05028	5 - 20	V553-000010	1 - 4		
900242-05035	5 - 9	V583-000010	6 - 6		
900242-05065	3 - 12	V651-000030	6 - 26		
900253-04012	1 - 26	V651-000031	6 - 26		
900253-05016	1 - 29	V651-000032	6 - 26		
900500-00005	3 - 6	V651-000110	6 - 29		
900500-00005	5 - 7	V651-000111	6 - 29		
900500-00005	5 - 21	X102-000000	6 - 41		
900502-00006	5 - 26	X202-000000	6 - 42		
900565-50005	1 - 25	X490-000050	6 - 43		
900600-00005	3 - 28				
900603-00005	4 - 14				
900701-00012	2 - 6				
900706-00012	6 - 24				
900810-36201	1 - 16				
94035-36201	1 - 16				
94042-06001	6 - 25				
94052-06001	6 - 25				
A011-000100	1 - 19				
A011-000101	1 - 19				

YAMABIKO CORPORATION

7-2 SUEHIROCHO 1-CHOME, OHME, TOKYO 198-8760, JAPAN
PHONE: 81-428-32-6118. FAX: 81-428-32-6145.

ECHO®



2433
No.