



PARTS CATALOG

POWER PRUNER

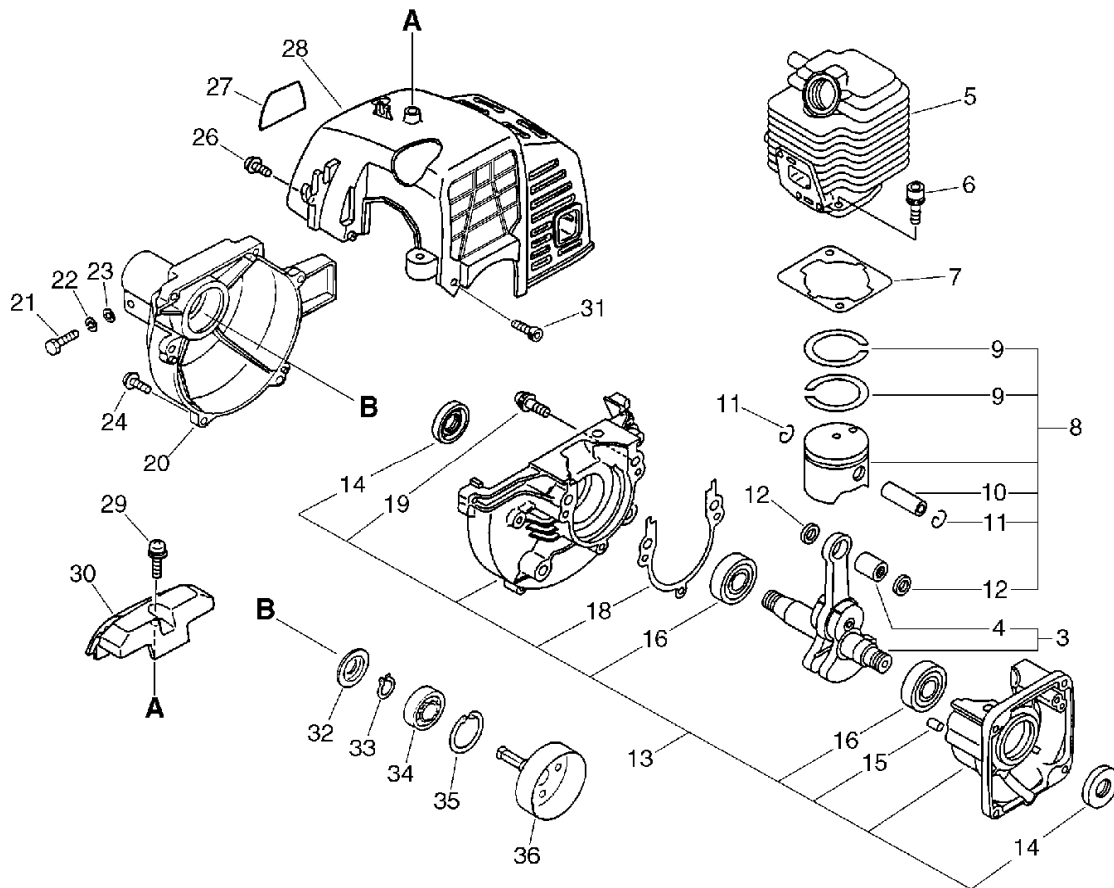
PPF-2100(CE)



PPF-2100(CE)

1. Cylinder, Crankcase, Piston, Fan Cover

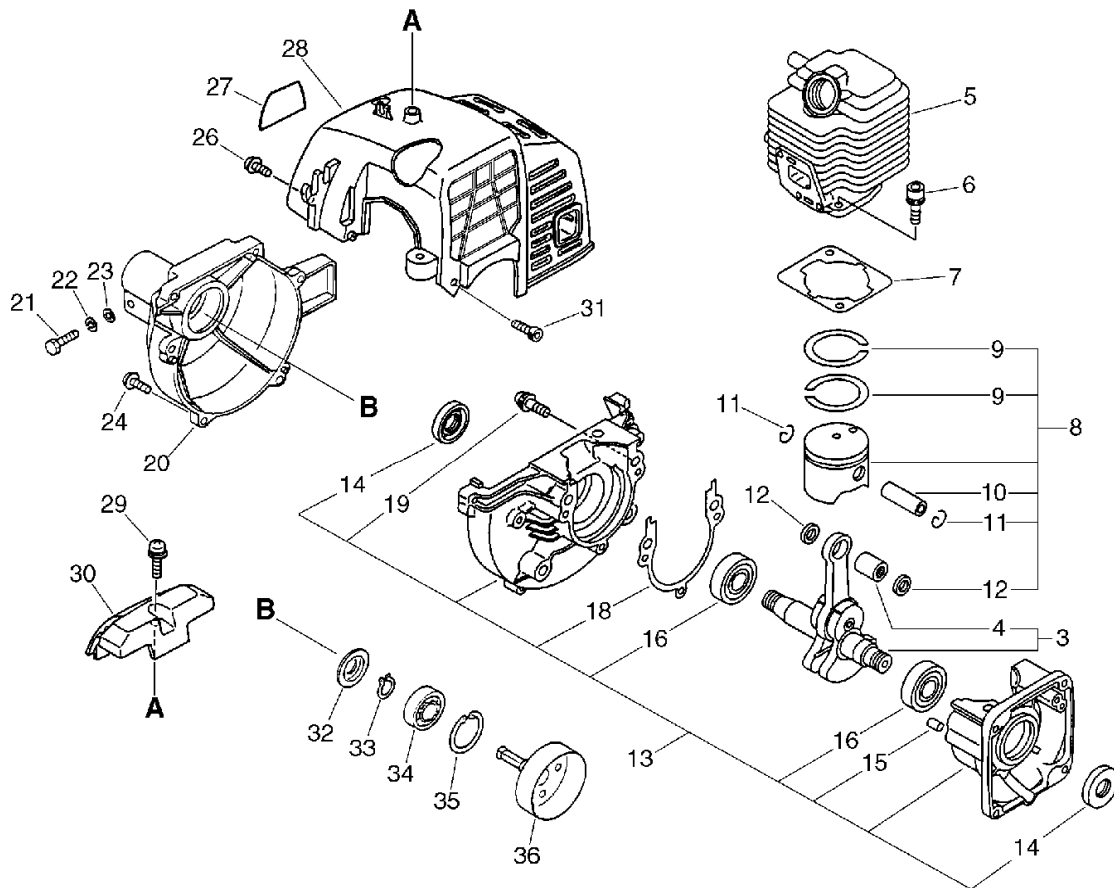
No.1



KEY	LV	PART NUMBER	Q'TY	DESCRIPTION	REMARKS	NOTE1	NOTE2
3		A011-000000	1	CRANKSHAFT,ASM		Sus. by A011-000002	
3		A011-000001	1	CRANKSHAFT,ASM		Sus. by A011-000002	
3		A011-000002	1	CRANKSHAFT,ASM			
4	+	100012-51230	1	BEARING, NEEDLE	8*12*10	Sus. by V553-000010	
4	+	V553-000030	1	BEARING,NEEDLE 8		Sus. by V553-000010	
4	+	V553-000010	1	BEARING,NEEDLE 8	HK0810		
5		A130-000021	1	CYLINDER			
6		900162-05022	2	BOLT, H.S. 5*22	5*22 W,SW		
7		101010-44332	1	GASKET, CYL. BASE			
8		P021-001101	1	PISTON KIT		Sus. by P021-001102	
8		P021-001102	1	PISTON KIT			
9	+	A101-000000	2	RING,PISTON			
10	+	100013-11520	1	PIN, PISTON			
11	+	100015-04630	2	CIRCLIP, PISTON PIN			
12	+	100014-11520	2	SPACER, PISTON PIN			
13		100204-52130	1	CRANKCASE KIT		Sus. by 100204-52132	
13		100204-52131	1	CRANKCASE KIT		Sus. by 100204-52132	
13		100204-52132	1	CRANKCASE KIT			

1. Cylinder, Crankcase, Piston, Fan Cover

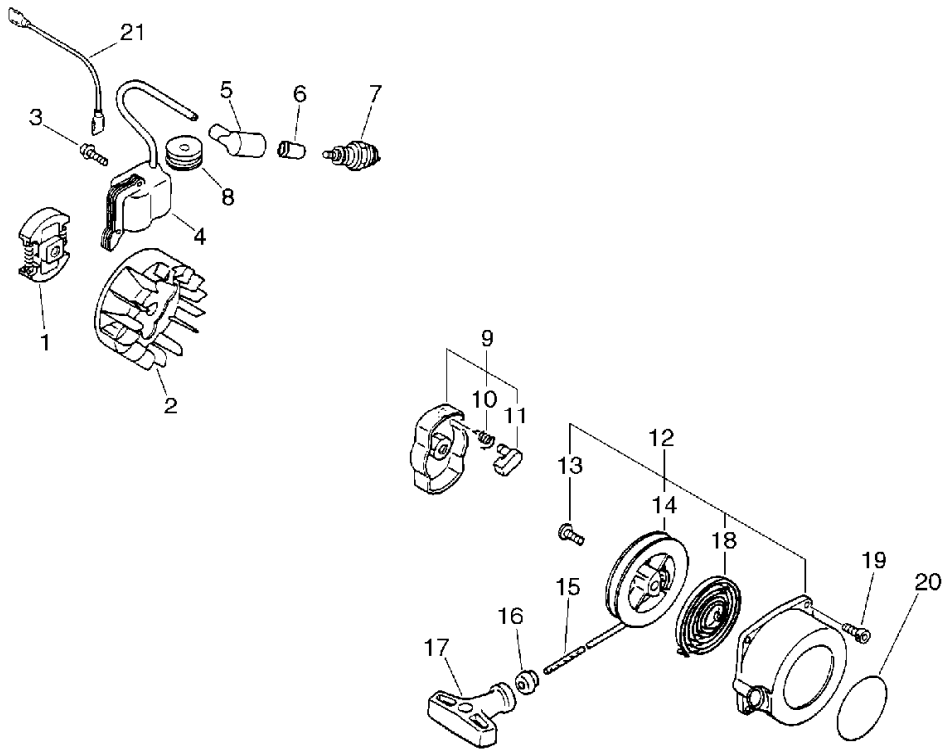
No.1



KEY	LV	PART NUMBER	Q'TY	DESCRIPTION	REMARKS	NOTE1	NOTE2
14	+	100212-42030	2	OILSEAL	ISCD12*22*4.5	Sus. by 100212-42031	
14	+	100212-42031	2	OILSEAL	ISCD 12*22*4.5		
15	+	100215-03930	2	PIN, DOWEL			
16	+	94035-36201	2	BEARING BALL	6201X3JR2C3		
18	+	100242-42030	1	GASKET, CRANKCASE			
19	+	900162-05028	3	BOLT, H.S. 5*28	5*28 W,SW		
20		101511-44630	1	COVER, FAN (BS)			
21		900151-05025	1	BOLT 5*25	5*25 S45C	Sus. by 900162-05025	
21		900162-05025	1	BOLT, H.S. 5*25	5*25 W,SW		
22		900605-00005	1	WASHER, SPRING 5	5	Disuse	
23		900600-00005	1	WASHER 5	5	Disuse	
24		900163-04016	4	BOLT HSH			
26		900238-04012	2	SCREW 4*12	4*12		
27		890115-24660	1	LABEL, MODEL			
28		101514-44531	1	COVER, CYLINDER			
29		900253-05016	1	SCREW	5*16		
30		159912-44530	1	GUARD, TOP			
31		900163-04016	2	BOLT HSH			
32		175053-04920	1	STOPPER			
33		900701-00012	1	CIRCLIP 12	CS-12		
34		900814-06201	1	BEARING, BALL 6201	6201ZZ		
35		900702-00032	1	CIRCLIP 32	CR-32		
36		175005-42030	1	DRUM, CLUTCH			

2. Starter, Magneto, Clutch

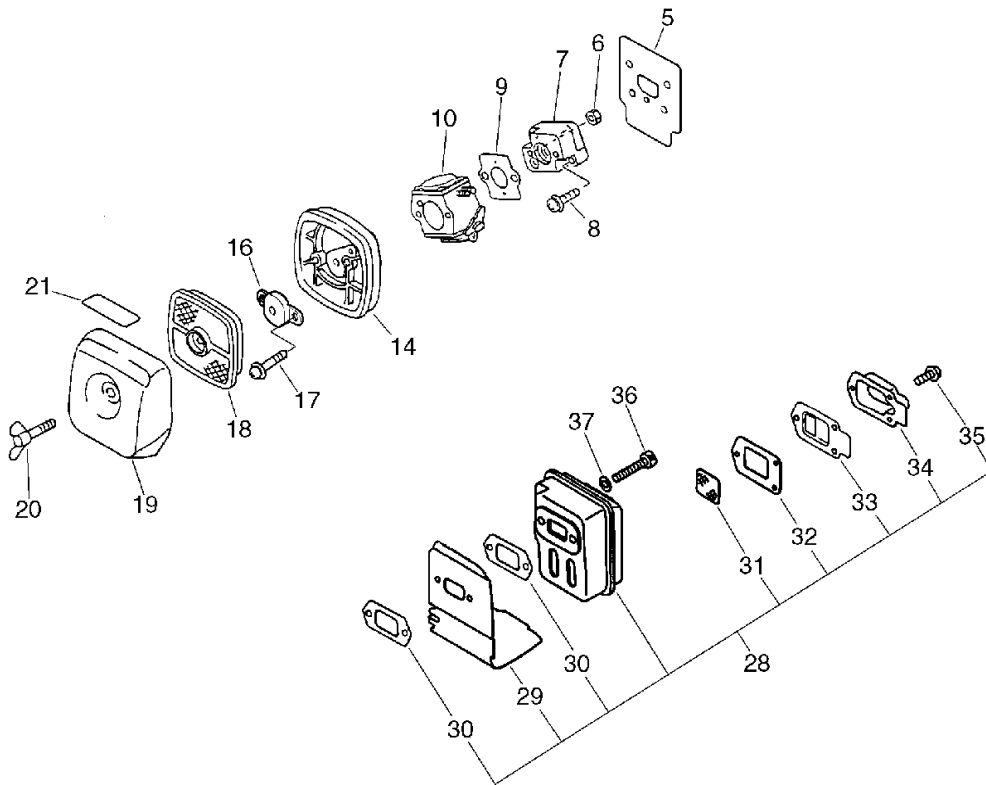
No.2



KEY	LV	PART NUMBER	Q'TY	DESCRIPTION	REMARKS	NOTE1	NOTE2
1		175000-56830	1	CLUTCH ASSY			
2		156801-09660	1	FLYWHEEL			
3		900162-04022	2	BOLT, H.S. 4*22	4*22 W,SW		
4		156626-52730	1	COIL, IGNITION			
5		159012-10230	1	CAP, SPARK PLUG			
6		159016-05330	1	ADAPTER, PLUG CAP			
7		159010-10230	1	PLUG, SPARK (BPMR-7A	BPMR-7A		
8		150112-44330	1	BUSHING			
9		177202-44330	1	PAWL ASSY, STARTER		Sus. by 177202-44331	
9		177202-44331	1	PAWL ASM., STARTER			
10	+	177234-42030	1	SPRING, RETURN			
11	+	177218-44330	1	PAWL, STARTER	BLACK		
12		177200-42033	1	STARTER ASSY			
13	+	177236-44330	1	SCREW			
14	+	177215-44430	1	DRUM, STARTER			
15	+	177226-10120	1	ROPE, STARTER	3.0*1000		
16	+	177227-42030	1	GUIDE, ROPE			
17	+	177228-06530	1	GRIP, STARTER			
18	+	177220-42030	1	SPRING, REWIND			
19		900163-04016	2	BOLT HSH			
20		890118-49130	1	LABEL, ECHO			
21		162010-52830	1	LEAD, GROUND			

3. Air Cleaner, Muffler

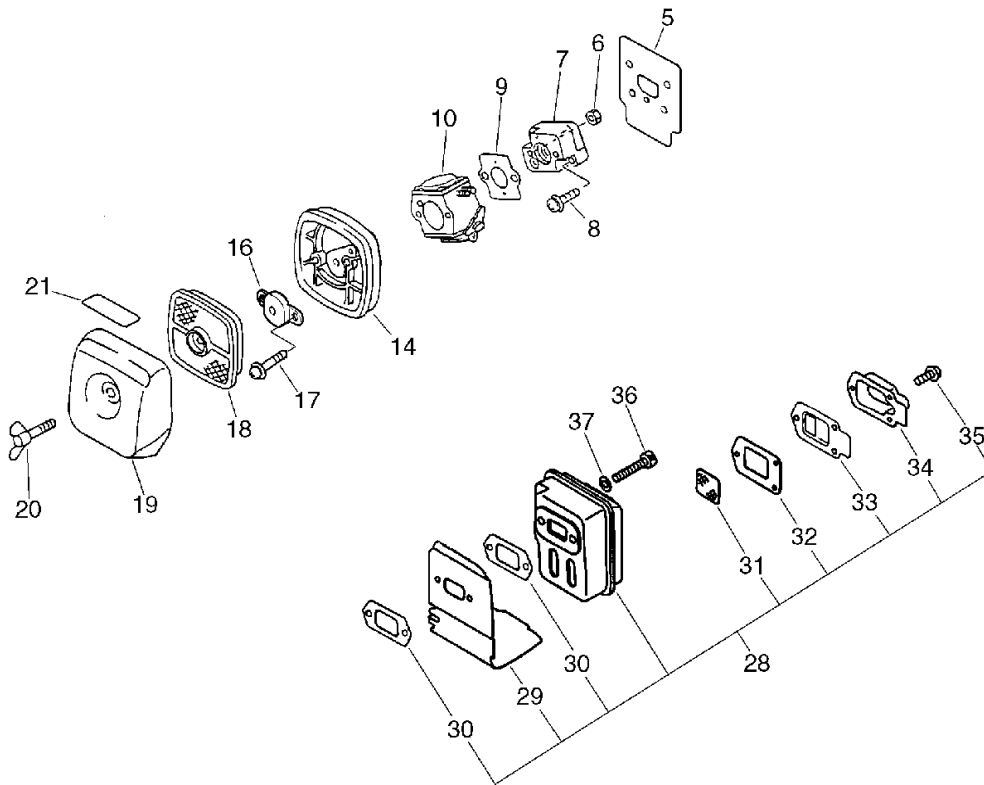
No.3



KEY	LV	PART NUMBER	Q'TY	DESCRIPTION	REMARKS	NOTE1	NOTE2
5		130010-42032	1	GASKET,INTAKE			
6		900500-00005	2	NUT 5	5		
7		130017-42031	1	INSULATOR, INTAKE			
8		900238-05020	2	SCREW 5*20	5*20		
9		130016-42031	1	GASKET, INTAKE		Sus. by V103-000111	
9		V103-000111	1	GASKET,INTAKE			
10		125200-13312	1	CARBURETOR	C1U-K52	Sus. by 125200-13314	
10		125200-13313	1	CARBURETOR	C1U-K52	Sus. by 125200-13314	
10		125200-13314	1	CARBURETOR	C1U-K52		
14		130307-06761	1	CASE,AIR CLEANER		Sus. by P021-002921	
14		P021-004260	1	CASE, AIR CLEANER			
16		129011-52730	1	PLATE, PREVENT			
17		900242-05065	2	SCREW 5*65	5*65		
18		130310-54130	1	FILTER, AIR			
19		130313-05863	1	LID, AIR CLEANER			
20		210417-52730	1	BOLT, WING	5*20		
21		890121-05360	1	LABEL, METERING			
28		P021-000311	1	MUFFLER ASY		Sus. by P021-000314	
28		P021-000312	1	MUFFLER ASY		Sus. by P021-000314	

3. Air Cleaner, Muffler

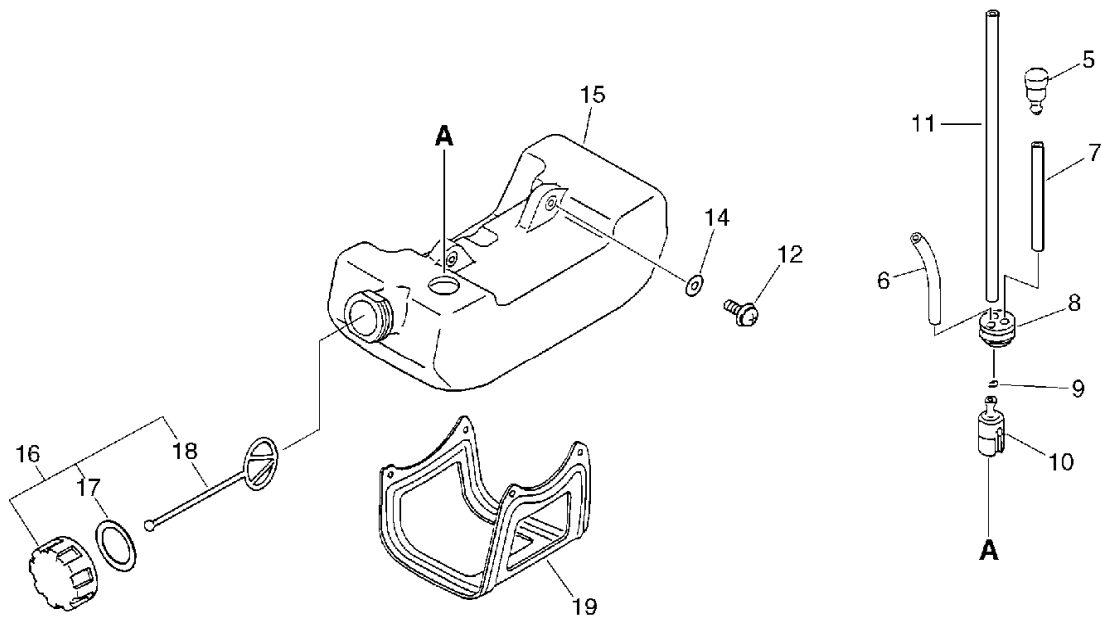
No.3



KEY	LV	PART NUMBER	Q'TY	DESCRIPTION	REMARKS	NOTE1	NOTE2
28		P021-000313	1	MUFFLER ASY		Sus. by P021-000314	
28		P021-000314	1	MUFFLER ASY			
29	+	145631-42030	1	COVER, MUFFLER		Sus. by A320-000251	
29	+	A320-000250	1	COVER, MUFFLER		Sus. by A320-000251	
29	+	A320-000251	1	COVER, MUFFLER			
30	+	V104-000160	2	GASKET, EXHAUST			
31	+	145862-40630	1	SCREEN, MUFFLER			
32	+	V104-000002	1	GASKET, EXHAUST		Sus. by V104-000003	
32	+	V104-000003	1	GASKET, EXHAUST			
33	+	145876-42030	1	LID, MUFFLER (B)			
34	+	A313-000000	1	GUIDE, EXH			
35	+	900238-04010	3	SCREW 4*10	4*10		
36		900105-05055	2	BOLT, H.S. 5*55	5*55		
37		900600-00005	2	WASHER 5	5		

4. Fuel Tank

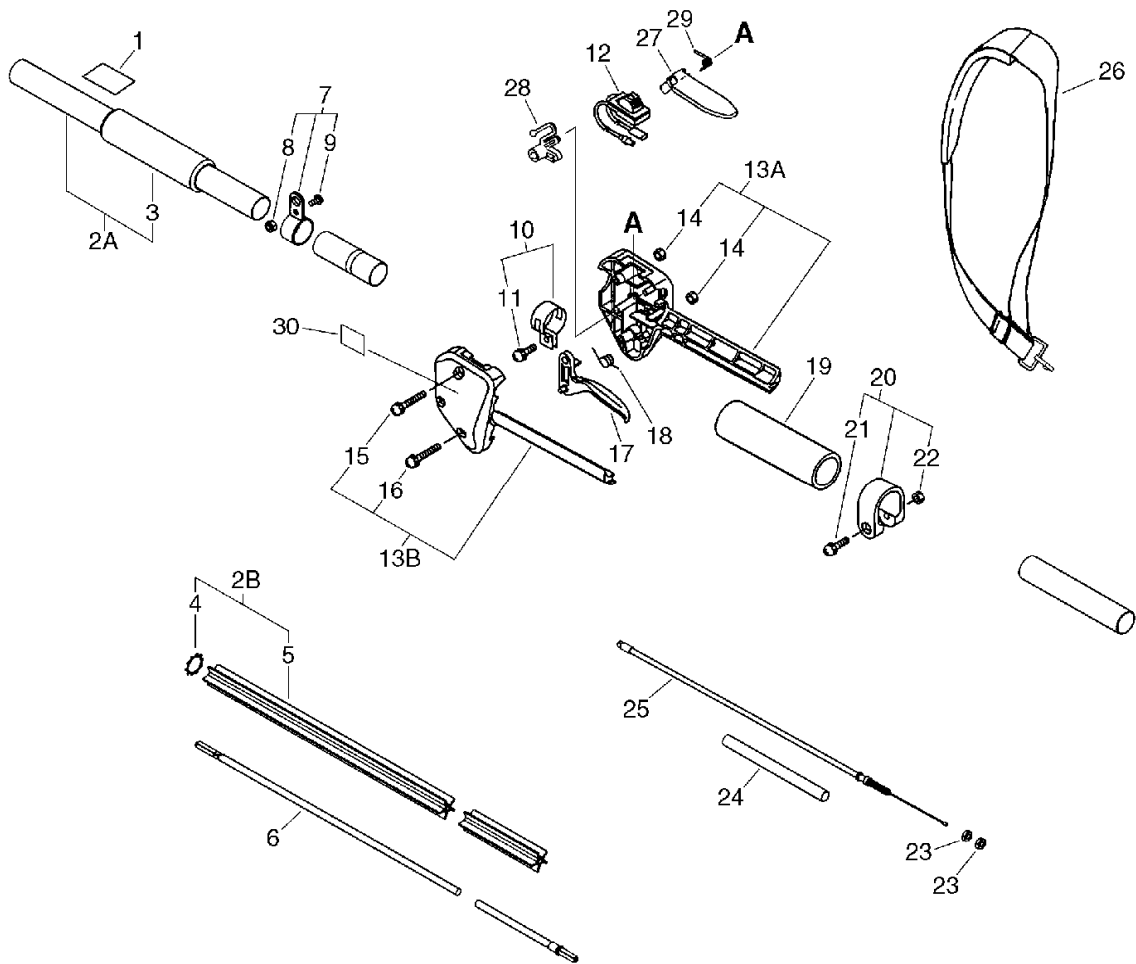
No.4



KEY	LV	PART NUMBER	Q'TY	DESCRIPTION	REMARKS	NOTE1	NOTE2
5		131300-56430	1	VALVE, CHECK		Sus. by A356-000030	
5		A356-000030	1	VALVE,CHECK			
6		132010-56330	1	PIPE 3*6*90	3*6*90 YL		
7		131312-39130	1	PIPE	3*5*70(+3)NBR	Sus. by V471-001200	
7		V471-001200	1	PIPE	3*5*70 NBR		
8		132115-46730	1	GROMMET, FUEL		Sus. by V137-000030	
8		V137-000030	1	GROMMET,FUEL			
9		132013-09820	1	CLIP	6MM		
10		131205-07320	1	STRAINER, FUEL			
11		132010-13930	1	PIPE, FUEL	3*5*180L NBR	Sus. by V471-001190	
11		V471-001190	1	PIPE	3*5*180 NBR		
12		900238-05016	2	SCREW 5*16	5*16		
14		900603-00005	2	WASHER 5	5.5*12*0.8		
15		131005-46830	1	TANK, FUEL		Sus. by 131005-46831	
15		131005-46831	1	TANK, FUEL			
16		131004-08960	1	CAP ASSY, FUEL			
17	+	131016-55830	1	GASKET, FUEL CAP			
18	+	131051-52430	1	CONNECTOR, CAP	80L		
19		305110-42030	1	STAND (BL)			

5. Handle

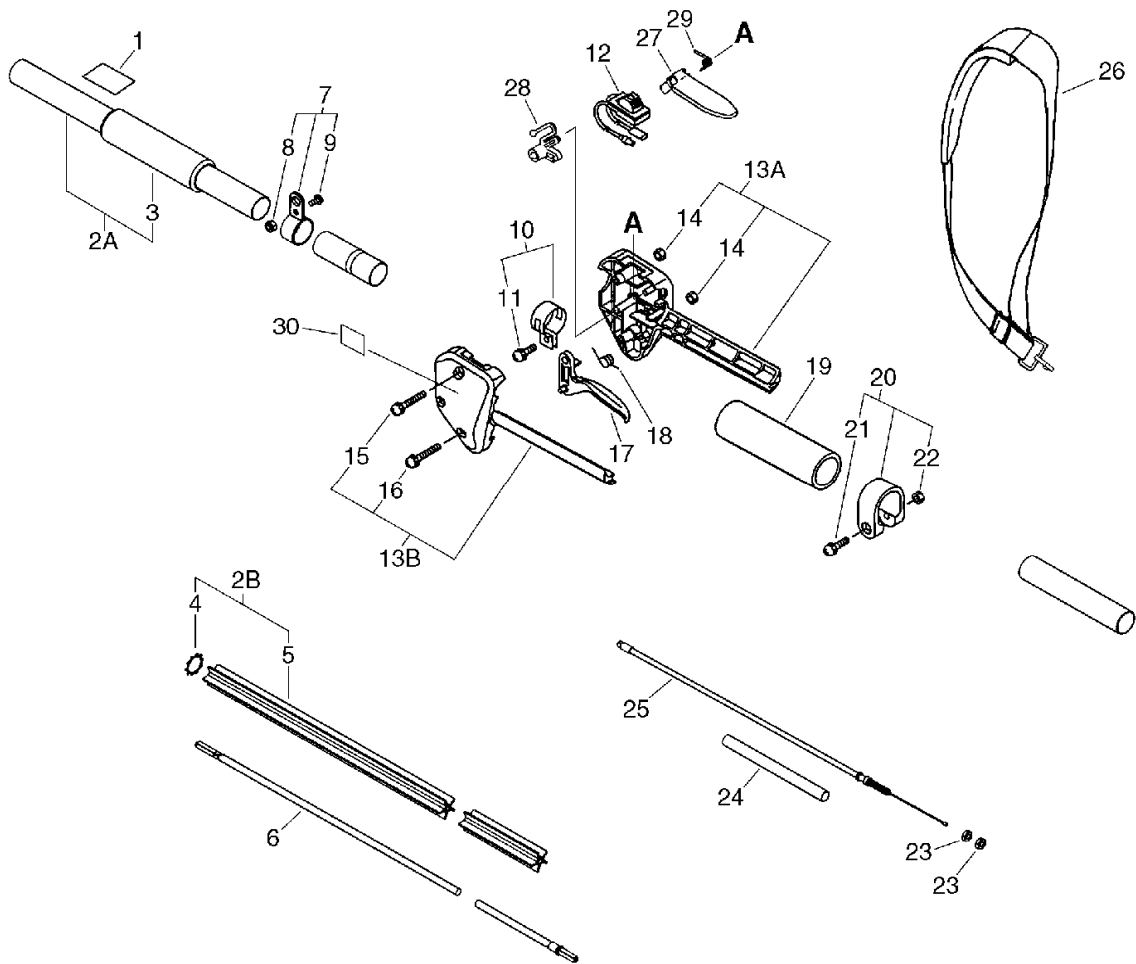
No.5



KEY	LV	PART NUMBER	Q'TY	DESCRIPTION	REMARKS	NOTE1	NOTE2
1		890160-22660	1	LABEL, CAUTION			
2		610609-24661	1	PIPE, MAIN			
3	+	351311-22060	1	GRIP, HANDLE			
4	+	900038-00100	1	WASHER,EXTERNAL			
5	+	610217-22060	1	LINER, FLEXBLE			
6		610013-22060	1	SHAFT, FLEXIBLE			
7		300605-22060	1	BRACKET, HARNESS			
8	+	900031-50100	1	LOCKNUT			
9	+	900053-00200	1	SCREW			
10		301200-29430	1	BAND ASSY			
11	+	900242-05014	1	SCREW 5*14	5*14		
12		163401-55630	1	SWITCH, IGNITION		Sus. by 163401-55631	
12		163401-55631	1	SWITCH, IGNITION			
13		178003-52130	1	BRACKET SET,THROTTLE			
14	+	900500-00005	2	NUT 5	5		
15	+	900242-05035	1	SCREW 5*35	5*35		
16	+	900242-05025	1	SCREW 5*25	5*25		
17		178010-52130	1	CONTROL, THROTTLE			
18		178043-42230	1	SPRING, THR. RETURN			
19		351213-52130	1	GRIP			
20		610272-52130	1	BAND			
21	+	900242-05028	1	SCREW 5*28	5*28		
22	+	900500-00005	1	NUT 5	5		
23		900502-00006	2	NUT 6 (3N)	3N6		
24		178127-50330	1	TUBE	10*11*140		

5. Handle

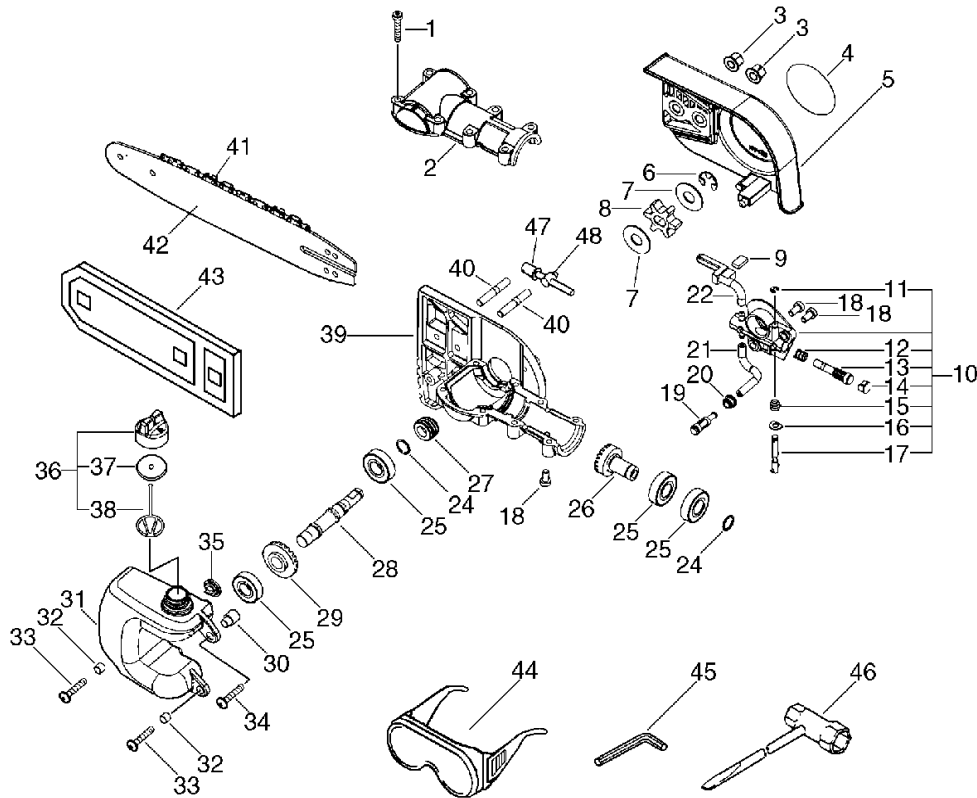
No.5



KEY	LV	PART NUMBER	Q'TY	DESCRIPTION	REMARKS	NOTE1	NOTE2
25		178001-44430	1	WIRE, THROTTLE			
26		301000-22060	1	HARNES ASY, SHOULDER			
27		178090-52630	1	LOCKOUT, T. CONTROL		Sus. by 178090-52632	
27		178090-52631	1	LOCKOUT, T. CONTROL		Sus. by 178090-52632	
27		178090-52632	1	LOCKOUT, T. CONTROL			
28		178012-52730	1	LOCKOUT, THROTTLE			
29		178013-52630	1	SPRING, THR. LOCK			
30		890157-39130	1	LABEL, SWITCH			

6. Auto-Oiler, Gear Case, Tools

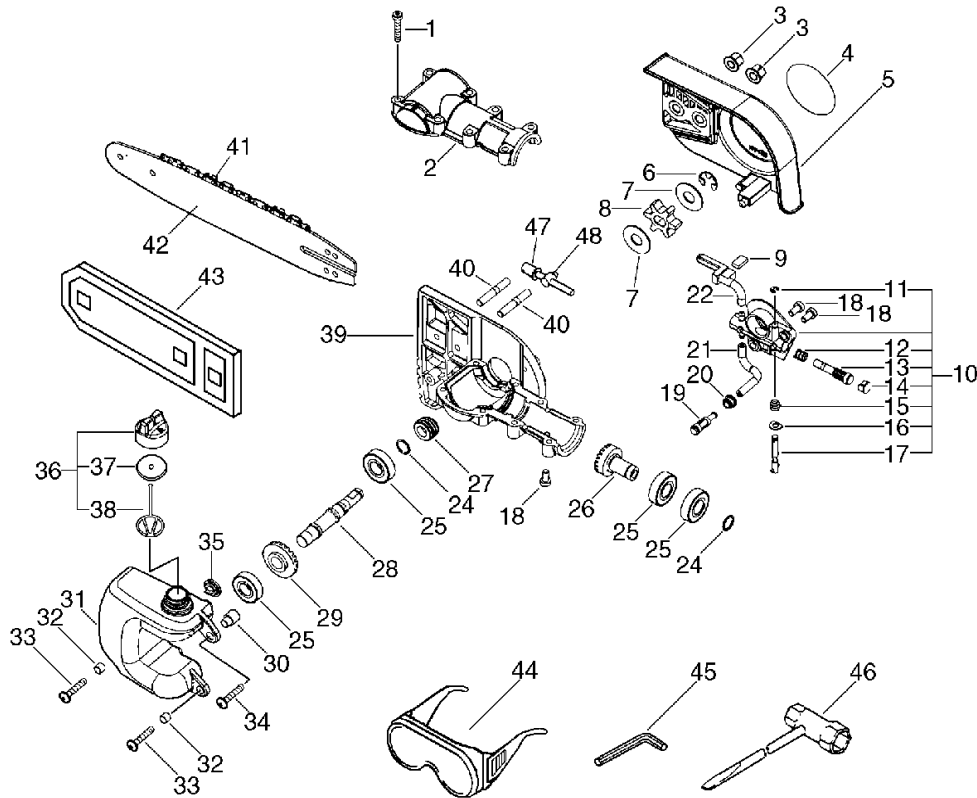
No.6



KEY	LV	PART NUMBER	Q'TY	DESCRIPTION	REMARKS	NOTE1	NOTE2
1		V253-000000	8	SCREW,5	5*25		
2		C531-000010	1	CASE,GEAR	25.5		
3		433019-03933	2	NUT, FLANGE 6	6		
4		890118-49130	1	LABEL, ECHO			
5		C300-000000	1	GUARD,SPROCKET		Sus. by C300-000001	
5		C300-000001	1	GUARD,SPROCKET			
6		V583-000010	1	RING			
7		175014-39130	2	WASHER, CLUTCH	10.2*25*1.2	Sus. by 175014-39131	
7		175014-39131	2	WASHER, CLUTCH	10.2*24.5*1.2		
8		C580-000070	1	SPROCKET,DRIVE			
9		437244-39130	1	PAD, FORM			
10		437002-39130	1	AUTO-OILER ASSY			
11	+	123127-15030	1	RING			
12	+	437019-38330	1	SPRING			
13	+	437024-37330	1	PLUNGER			
14	+	437062-37330	1	CAP, OIL PUMP			
15	+	437015-37330	1	SPRING			
16	+	437029-37330	1	WASHER			
17	+	437016-39130	1	NEEDLE, ADJUST			
18		V253-000010	3	SCREW,5	5*10		
19		436205-02832	1	STRAINER, OIL			
20		132115-01461	1	GROMMET			
21		130110-12330	1	PIPE, IMPULSE	3*6*70L		

6. Auto-Oiler, Gear Case, Tools

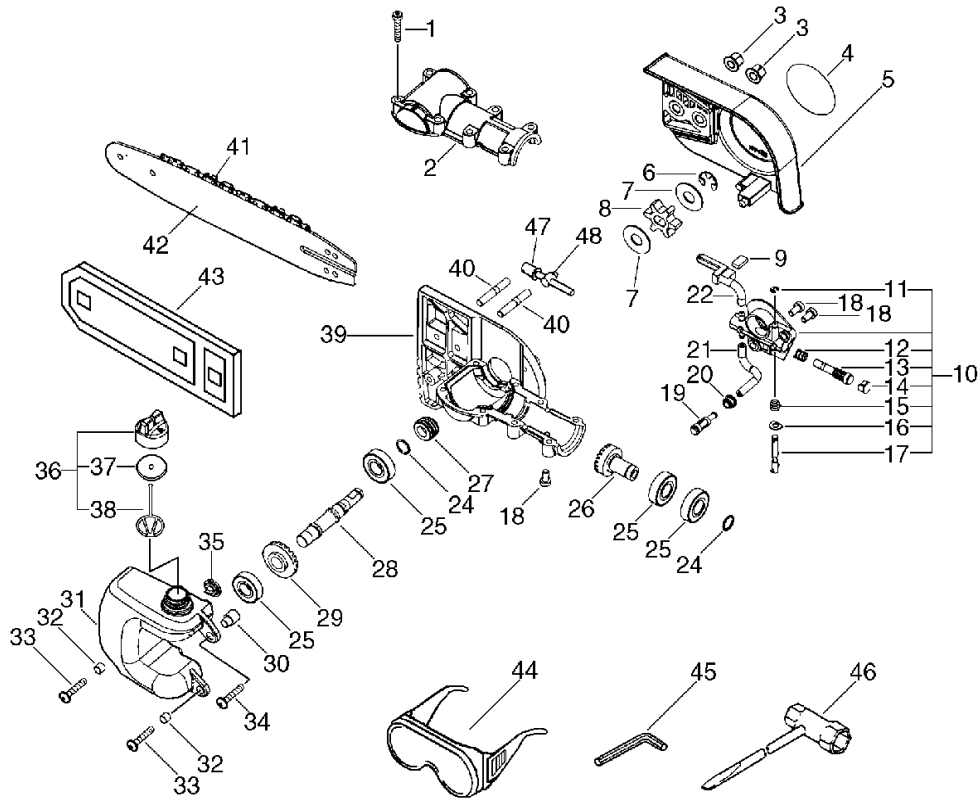
No.6



KEY	LV	PART NUMBER	Q'TY	DESCRIPTION	REMARKS	NOTE1	NOTE2
36		P021-000950	1	CAP ASSY, OIL		Sus. by P021-000951	
36		P021-000951	1	CAP ASSY, OIL			
37	+	436012-37830	1	GASKET, CIRCULAR			
38	+	131051-19830	1	LINK	60L	Sus. by A365-000050	
38	+	A365-000050	1	CONNECTOR,CAP			
39		C531-000020	1	CASE,GEAR	25.5		
40		V224-000000	2	BOLT,STUD 6			
41		431610-22160	1	CHAIN, SAW	90SG-39		
42		430410-22160	1	BAR, GUIDE	(PP)	Sr/Nr 001919 and before	
42		X101-000070	1	BAR,GUIDE2580-43-3/8	25RC-43-3/8	Sr/Nr 001920 and after	
43		898513-22160	1	SCABBARD, GUIDE BAR		Sus. by X490-000060	
43		X490-000060	1	SCABBARD,CHAIN			
44		899580-68730	1	SAFETY GLASSES		Sus. by P021-002861	
44		X690-000030	1	GOGGLE		Sus. by P021-002861	
44		P021-002861	1	GOGGLES			
45		895612-03430	1	L-WRENCH (3MM)		Sus. by 895610-00130	
45		895610-00130	1	L-WRENCH (4MM)			

6. Auto-Oiler, Gear Case, Tools

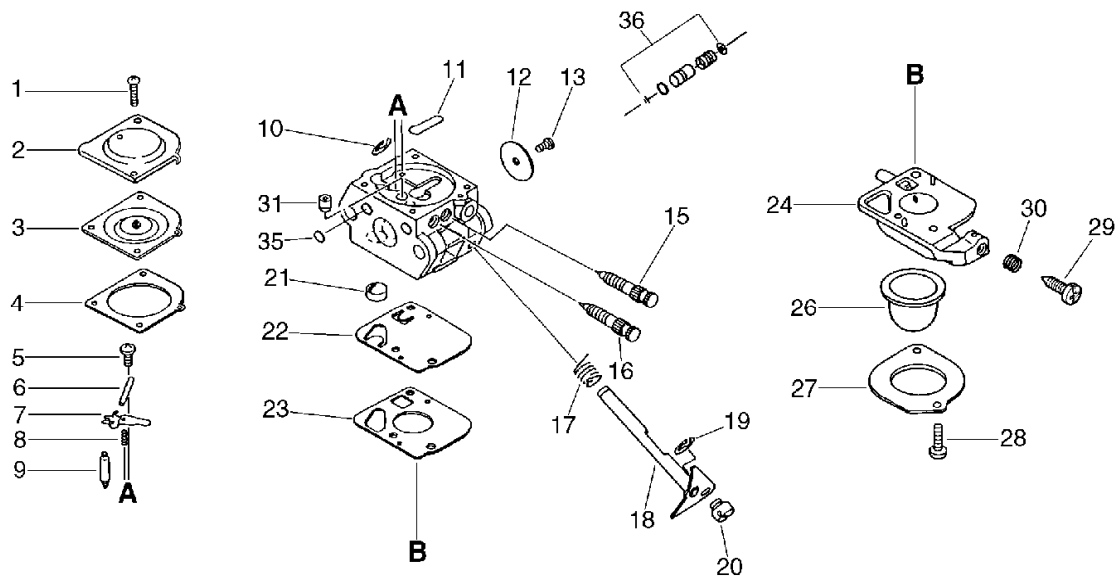
No.6



KEY	LV	PART NUMBER	Q'TY	DESCRIPTION	REMARKS	NOTE1	NOTE2
46		895410-39130	1	WRENCH, W/S-DRIVER		Sus. by 895410-39131	
46		895410-39131	1	WRENCH, W/S-DRIVER			
47		433016-39131	1	BOLT			
48		433014-03931	1	TENSIONER			

7. Carburetor

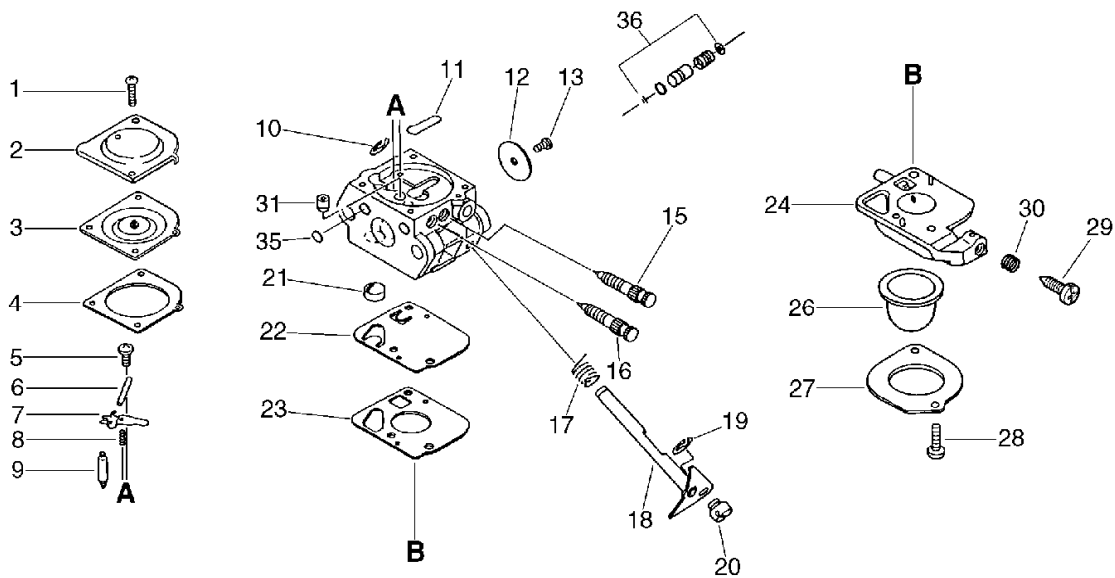
No.7



KEY	LV	PART NUMBER	Q'TY	DESCRIPTION	REMARKS	NOTE1	NOTE2
		125200-13314	1	CARBURETOR	C1U-K52	Sus. by 125200-13314	
		125200-13314	1	CARBURETOR	C1U-K52	Sus. by 125200-13314	
		125200-13314	1	CARBURETOR	C1U-K52		
1	+	125344-52130	2	SCREW			
2	+	125342-13210	1	COVER, DIAPHRAGM			
3	+	125341-49030	1	DIAPHRAGM			
4	+	125340-51030	1	GASKET, DIAPHRAGM			
5	+	125339-42030	1	SCREW			
6	+	125338-13930	1	PIN, METERING ARM			
7	+	125323-42030	1	LEVER, METERING			
8	+	125322-42030	1	SPRING, COIL			
9	+	125337-06960	1	VALVE, INLET NEEDLE			
10	+	125327-15130	1	CLIP			
11	+	125345-15130	1	PLUG, WELCH			
12	+	125316-49030	1	VALVE, THROTTLE			
13	+	125314-13930	1	SCREW	3*4		
15	+	125318-13120	1	SCREW, IDLE NEEDLE			
16	+	125320-13310	1	NEEDLE, HIGH SPEED			
17	+	125313-42030	1	SPRING, THRT. RETURN			
18	+	125317-13310	1	SHAFT, THROTTLE			
19	+	125327-13930	1	CLIP			
20	+	125372-42030	1	SWIVEL			
21	+	125326-42030	1	STRAINER			
22	+	125312-12820	1	DIAPHRAGM, FUEL PUMP			

7. Carburetor

No.7



KEY	LV	PART NUMBER	Q'TY	DESCRIPTION	REMARKS	NOTE1	NOTE2
23	+	125325-13310	1	GASKET, PUMP			
24	+	125383-13310	1	BASE, PRIMER		Sus. by P005-000590	
24	+	P005-000590	1	BASE, ASY PRIMER			
26	+	125381-08660	1	PUMP, PRIMING			
27	+	125363-11610	1	RING			
28	+	125310-11610	2	SCREW			
29	+	125334-06960	1	SCREW, THROTTLE ADJUST			
30	+	125333-06960	1	SPRING, IDLE ADJUSTER			
31	+	125376-13120	1	NOZZLE, CHECK VALVE			
35	+	125345-13310	1	PLUG, WELCH			
36	+	125306-13120	1	PUMP KIT, ACC.			
		125303-13310	1	DIAPHRAGM/GASKET KIT			
		125300-13310	1	REBUILD KIT			

8. Repair Kit

KEY	LV	PART NUMBER	Q'TY	DESCRIPTION	REMARKS	NOTE1	NOTE2
		125303-13310	1	DIAPHRAGM/GASKET KIT			
7-3	+	125341-49030	1	DIAPHRAGM			
7-4	+	125340-51030	1	GASKET, DIAPHRAGM			
7-22	+	125312-12820	1	DIAPHRAGM, FUEL PUMP			
7-23	+	125325-13310	1	GASKET, PUMP			
		125300-13310	1	REBUILD KIT			
7-3	+	125341-49030	1	DIAPHRAGM			
7-4	+	125340-51030	1	GASKET, DIAPHRAGM			
7-6	+	125338-13930	1	PIN, METERING ARM			
7-7	+	125323-42030	1	LEVER, METERING			
7-8	+	125322-42030	1	SPRING, COIL			
7-9	+	125337-06960	1	VALVE, INLET NEEDLE			
7-11	+	125345-15130	1	PLUG, WELCH			
7-21	+	125326-42030	1	STRAINER			
7-22	+	125312-12820	1	DIAPHRAGM, FUEL PUMP			
7-23	+	125325-13310	1	GASKET, PUMP			

Index

Patrs Number	Key No.	Patrs Number	Key No.	Patrs Number	Key No.
100012-51230	1 - 4	125337-06960	7 - 9	156626-52730	2 - 4
100013-11520	1 - 10	125337-06960	8 - 7-9	156801-09660	2 - 2
100014-11520	1 - 12	125338-13930	7 - 6	159010-10230	2 - 7
100015-04630	1 - 11	125338-13930	8 - 7-6	159012-10230	2 - 5
100204-52130	1 - 13	125339-42030	7 - 5	159016-05330	2 - 6
100204-52131	1 - 13	125340-51030	7 - 4	159912-44530	1 - 30
100204-52132	1 - 13	125340-51030	8 - 7-4	162010-52830	2 - 21
100212-42030	1 - 14	125340-51030	8 - 7-4	163401-55630	5 - 12
100212-42031	1 - 14	125341-49030	7 - 3	163401-55631	5 - 12
100215-03930	1 - 15	125341-49030	8 - 7-3	175000-56830	2 - 1
100242-42030	1 - 18	125341-49030	8 - 7-3	175005-42030	1 - 36
101010-44332	1 - 7	125342-13210	7 - 2	175014-39130	6 - 7
101511-44630	1 - 20	125344-52130	7 - 1	175014-39131	6 - 7
101514-44531	1 - 28	125345-13310	7 - 35	175053-04920	1 - 32
123127-15030	6 - 11	125345-15130	7 - 11	177200-42033	2 - 12
125200-13312	3 - 10	125345-15130	8 - 7-11	177202-44330	2 - 9
125200-13313	3 - 10	125363-11610	7 - 27	177202-44331	2 - 9
125200-13314	3 - 10	125372-42030	7 - 20	177215-44430	2 - 14
125200-13314	7 -	125376-13120	7 - 31	177218-44330	2 - 11
125200-13314	7 -	125381-08660	7 - 26	177220-42030	2 - 18
125200-13314	7 -	125383-13310	7 - 24	177226-10120	2 - 15
125300-13310	7 -	129011-52730	3 - 16	177227-42030	2 - 16
125300-13310	8 -	130010-42032	3 - 5	177228-06530	2 - 17
125303-13310	7 -	130016-42031	3 - 9	177234-42030	2 - 10
125303-13310	8 -	130017-42031	3 - 7	177236-44330	2 - 13
125306-13120	7 - 36	130110-12330	6 - 21	178001-44430	5 - 25
125310-11610	7 - 28	130307-06761	3 - 14	178003-52130	5 - 13
125312-12820	7 - 22	130310-54130	3 - 18	178010-52130	5 - 17
125312-12820	8 - 7-22	130313-05863	3 - 19	178012-52730	5 - 28
125312-12820	8 - 7-22	131004-08960	4 - 16	178013-52630	5 - 29
125313-42030	7 - 17	131005-46830	4 - 15	178043-42230	5 - 18
125314-13930	7 - 13	131005-46831	4 - 15	178090-52630	5 - 27
125316-49030	7 - 12	131016-55830	4 - 17	178090-52631	5 - 27
125317-13310	7 - 18	131045-28230	6 - 32	178090-52632	5 - 27
125318-13120	7 - 15	131051-19830	6 - 38	178127-50330	5 - 24
125320-13310	7 - 16	131051-52430	4 - 18	210417-52730	3 - 20
125322-42030	7 - 8	131205-07320	4 - 10	300605-22060	5 - 7
125322-42030	8 - 7-8	131300-56430	4 - 5	301000-22060	5 - 26
125323-42030	7 - 7	131312-39130	4 - 7	301200-29430	5 - 10
125323-42030	8 - 7-7	131314-06320	6 - 35	305110-42030	4 - 19
125325-13310	7 - 23	132010-13930	4 - 11	351213-52130	5 - 19
125325-13310	8 - 7-23	132010-56330	4 - 6	351311-22060	5 - 3
125325-13310	8 - 7-23	132013-09820	4 - 9	430410-22160	6 - 42
125326-42030	7 - 21	132115-01461	6 - 20	431610-22160	6 - 41
125326-42030	8 - 7-21	132115-46730	4 - 8	433014-03931	6 - 48
125327-13930	7 - 19	145631-42030	3 - 29	433016-39131	6 - 47
125327-15130	7 - 10	145862-40630	3 - 31	433019-03933	6 - 3
125333-06960	7 - 30	145876-42030	3 - 33	436012-37830	6 - 37
125334-06960	7 - 29	150112-44330	2 - 8	436205-02832	6 - 19

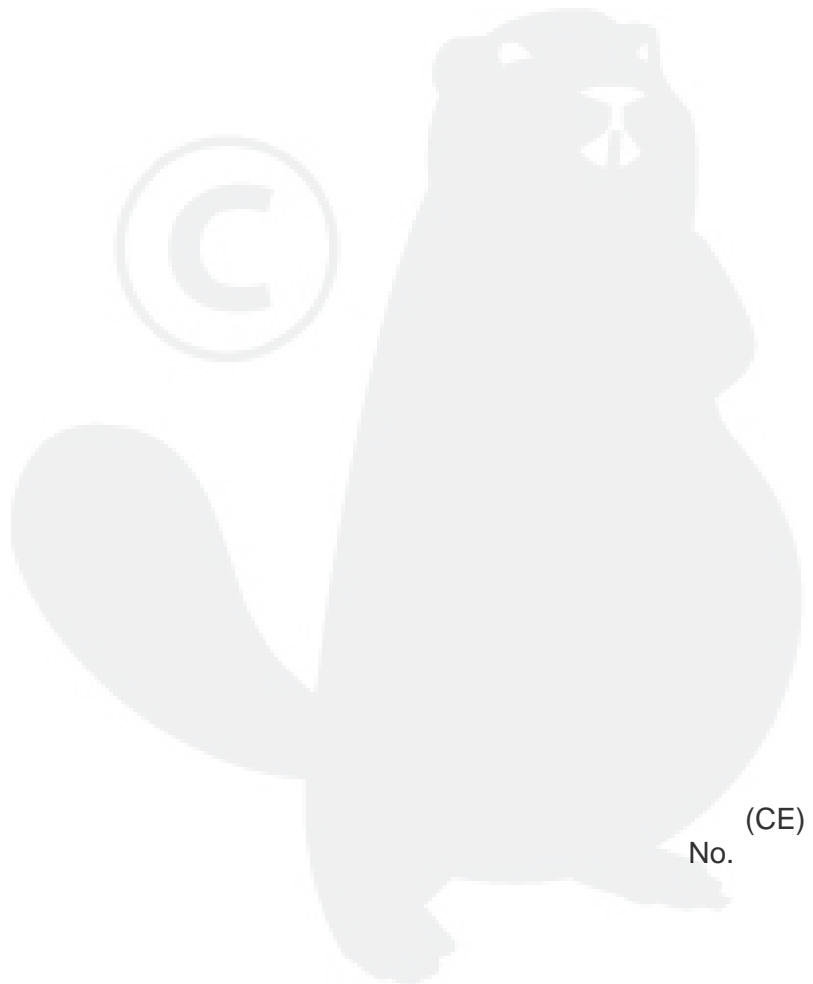
Index

Patrs Number	Key No.	Patrs Number	Key No.	Patrs Number	Key No.
437002-39130	6 - 10	900500-00005	5 - 14	V253-000010	6 - 18
437015-37330	6 - 15	900500-00005	5 - 22	V253-000020	6 - 34
437016-39130	6 - 17	900502-00006	5 - 23	V253-000030	6 - 33
437019-38330	6 - 12	900600-00005	1 - 23	V354-000010	6 - 30
437024-37330	6 - 13	900600-00005	3 - 37	V470-000180	6 - 22
437029-37330	6 - 16	900603-00005	4 - 14	V471-001190	4 - 11
437062-37330	6 - 14	900605-00005	1 - 22	V471-001200	4 - 7
437063-38330	6 - 27	900701-00012	1 - 33	V553-000010	1 - 4
437244-39130	6 - 9	900702-00032	1 - 35	V553-000030	1 - 4
610013-22060	5 - 6	900706-00012	6 - 24	V583-000010	6 - 6
610217-22060	5 - 5	900814-06201	1 - 34	V651-000031	6 - 26
610272-52130	5 - 20	94035-36201	1 - 16	V651-000032	6 - 26
610311-22061	6 - 29	94042-06001	6 - 25	V651-000101	6 - 29
610609-24661	5 - 2	A011-000000	1 - 3	V651-000110	6 - 29
890115-24660	1 - 27	A011-000001	1 - 3	V651-000111	6 - 29
890118-49130	2 - 20	A011-000002	1 - 3	X101-000070	6 - 42
890118-49130	6 - 4	A101-000000	1 - 9	X490-000060	6 - 43
890121-05360	3 - 21	A130-000021	1 - 5	X690-000030	6 - 44
890157-39130	5 - 30	A313-000000	3 - 34		
890160-22660	5 - 1	A320-000250	3 - 29		
895410-39130	6 - 46	A320-000251	3 - 29		
895410-39131	6 - 46	A356-000030	4 - 5		
895610-00130	6 - 45	A365-000050	6 - 38		
895612-03430	6 - 45	C200-000000	6 - 31		
898513-22160	6 - 43	C300-000000	6 - 5		
899580-68730	6 - 44	C300-000001	6 - 5		
900031-50100	5 - 8	C531-000010	6 - 2		
900038-00100	5 - 4	C531-000020	6 - 39		
900053-00200	5 - 9	C534-000020	6 - 28		
900105-05055	3 - 36	C534-000180	6 - 28		
900151-05025	1 - 21	C580-000070	6 - 8		
900162-04022	2 - 3	P005-000590	7 - 24		
900162-05022	1 - 6	P021-000311	3 - 28		
900162-05025	1 - 21	P021-000312	3 - 28		
900162-05028	1 - 19	P021-000313	3 - 28		
900163-04016	1 - 24	P021-000314	3 - 28		
900163-04016	1 - 31	P021-000950	6 - 36		
900163-04016	2 - 19	P021-000951	6 - 36		
900238-04010	3 - 35	P021-001101	1 - 8		
900238-04012	1 - 26	P021-001102	1 - 8		
900238-05016	4 - 12	P021-002861	6 - 44		
900238-05020	3 - 8	P021-004260	3 - 14		
900242-05014	5 - 11	V103-000111	3 - 9		
900242-05025	5 - 16	V104-000002	3 - 32		
900242-05028	5 - 21	V104-000003	3 - 32		
900242-05035	5 - 15	V104-000160	3 - 30		
900242-05065	3 - 17	V137-000030	4 - 8		
900253-05016	1 - 29	V224-000000	6 - 40		
900500-00005	3 - 6	V253-000000	6 - 1		

YAMABIKO CORPORATION

7-2 SUEHIROCHO 1-CHOME, OHME, TOKYO 198-8760, JAPAN
PHONE: 81-428-32-6118. FAX: 81-428-32-6145.

ECHO[®]



(CE)
No.