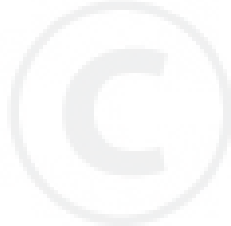




PARTS CATALOG

POWER PRUNER

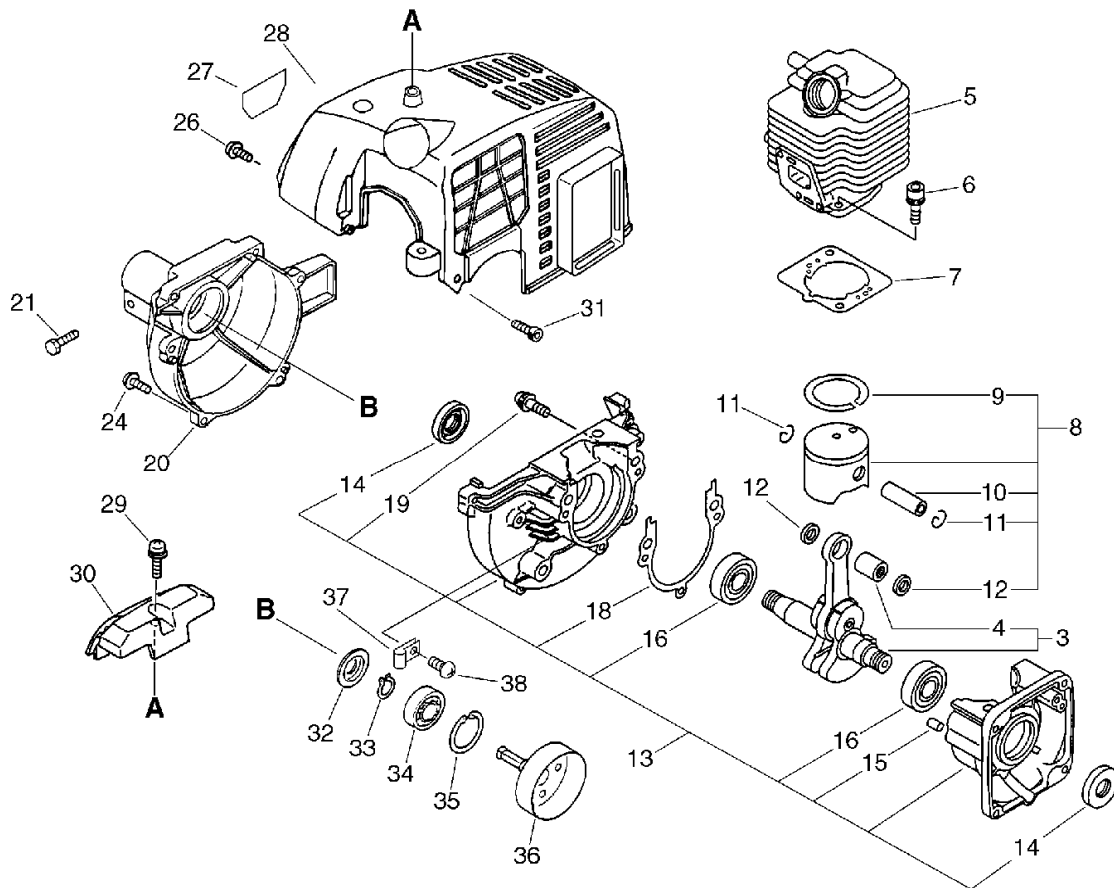
PPF-2100(36)



- 36003401

PPF-2100(36)

1. Cylinder, Crankcase, Piston, Fan Cover(Sr/Nr 36003300 and before)

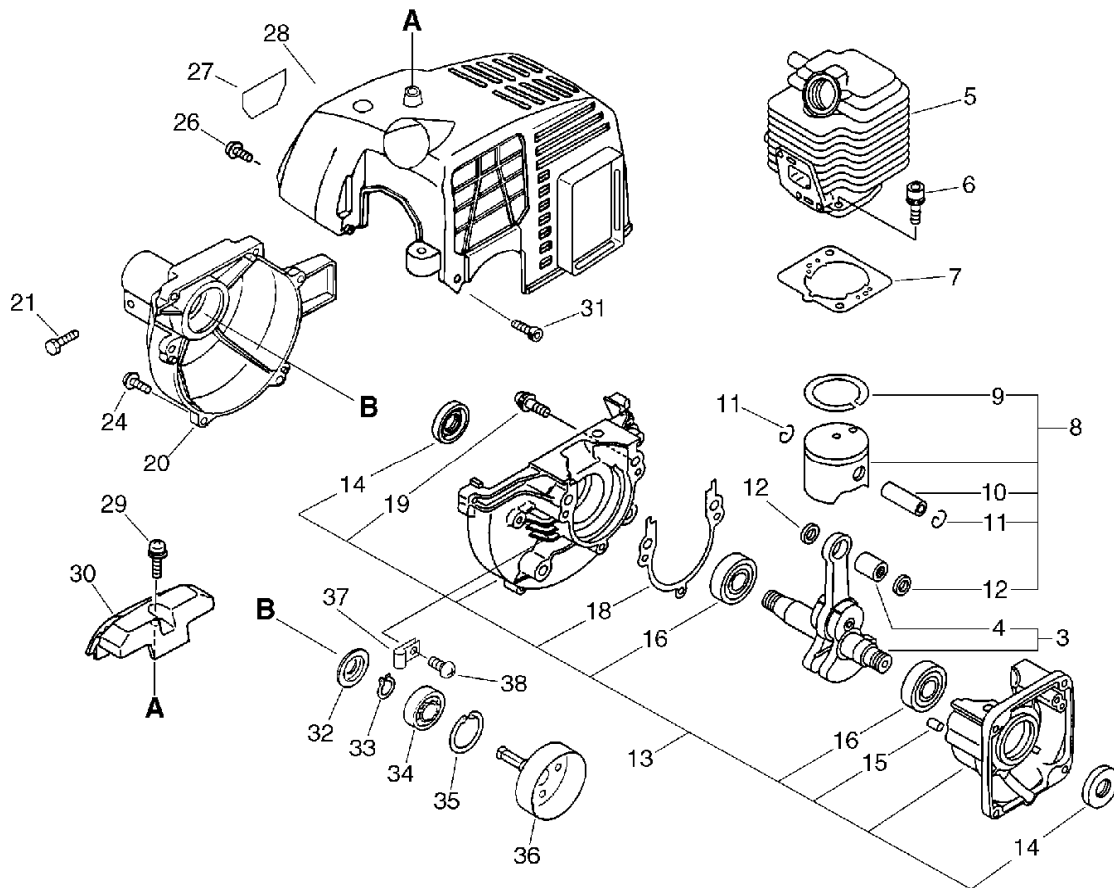


KEY	LV	PART NUMBER	Q'TY	DESCRIPTION	REMARKS	NOTE1	NOTE2
3		A011-000101	1	CRANKSHAFT,ASM			
4	+	V553-000010	1	BEARING,NEEDLE 8	HK0810		
5		A130-000540	1	CYLINDER			
6		900162-05022	2	BOLT, H.S. 5*22	5*22 W,SW		
7		V100-000160	1	GASKET,CYL			
8		P021-007711	1	PISTON KIT		Sus. by P021-007712	
8		P021-007712	1	PISTON KIT			
9	+	A101-000090	1	RING,PISTON			
10	+	100013-11520	1	PIN, PISTON			
11	+	100015-04630	2	CIRCLIP, PISTON PIN			
12	+	100014-11520	3	SPACER, PISTON PIN			
12	+	100014-11520	2	SPACER, PISTON PIN		Q'ty 3 -> 2	
13		100204-52132	1	CRANKCASE KIT			
14	+	100212-42031	2	OILSEAL	ISCD 12*22*4.5		
15	+	100215-03930	2	PIN, DOWEL			
16	+	94035-36201	2	BEARING BALL	6201X3JR2C3		
18	+	100242-42030	1	GASKET, CRANKCASE			
19	+	900162-05028	3	BOLT, H.S. 5*28	5*28 W,SW		
20		101511-44630	1	COVER, FAN (BS)			
21		900151-05025	1	BOLT 5*25	5*25 S45C	Sus. by 900162-05025	
22		900605-00005	1	WASHER, SPRING 5	5	Disuse	
23		900600-00005	1	WASHER 5	5	Disuse	
24		900163-04016	4	BOLT HSH			

ore)



1. Cylinder, Crankcase, Piston, Fan Cover(Sr/Nr 36003300 and before)

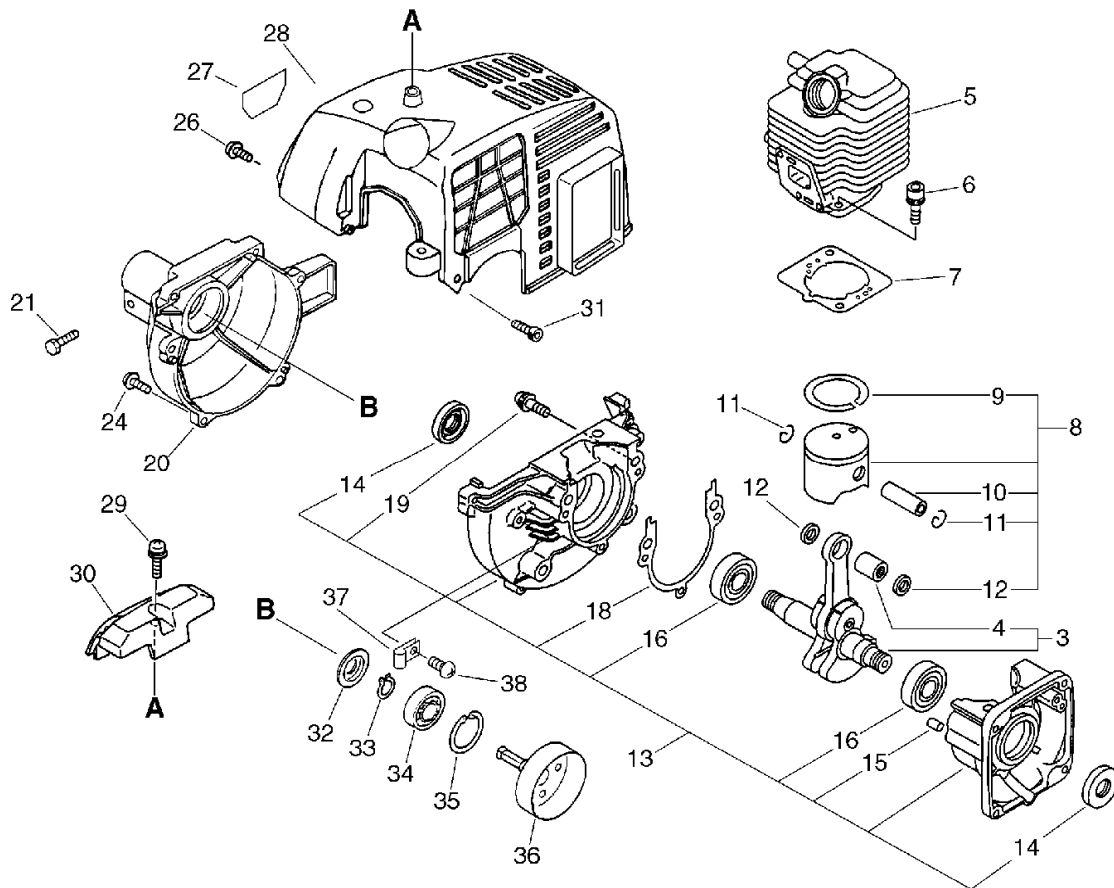


KEY	LV	PART NUMBER	Q'TY	DESCRIPTION	REMARKS	NOTE1	NOTE2
26		900238-04012	2	SCREW 4*12	4*12		
27		890115-24660	1	LABEL, MODEL		Sus. by X547-000920	
28		A160-000590	1	COVER,CYLINDER			
29		900253-05016	1	SCREW	5*16		
30		A162-000070	1	GUARD, TOP			
31		900163-04016	2	BOLT HSH			
32		175053-04920	1	STOPPER			
33		900701-00012	1	CIRCLIP 12	CS-12		
34		900814-06201	1	BEARING, BALL 6201	6201ZZ		
35		900702-00032	1	CIRCLIP 32	CR-32		
36		175005-42030	1	DRUM, CLUTCH			

ore)



2. Cylinder, Crankcase, Piston, Fan Cover(Sr/Nr 36003301 and after)

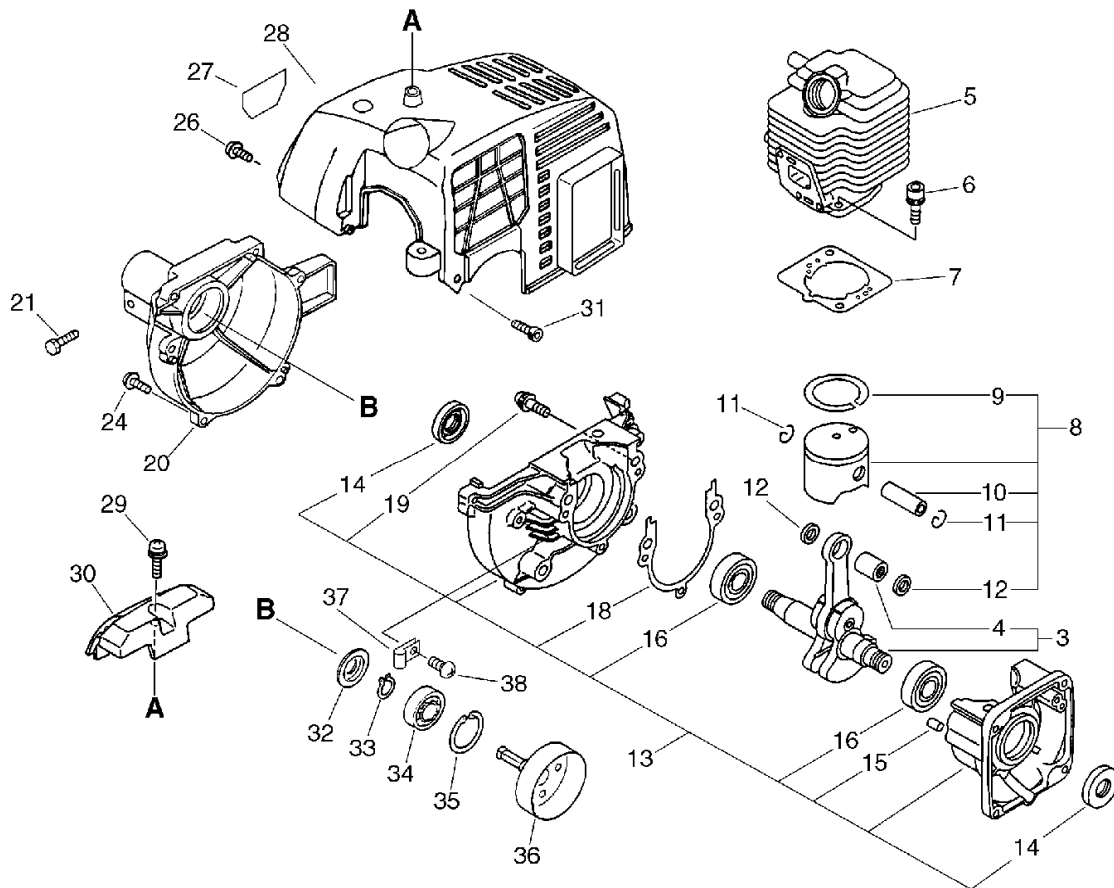


KEY	LV	PART NUMBER	Q'TY	DESCRIPTION	REMARKS	NOTE1	NOTE2
3		A011-000101	1	CRANKSHAFT,ASM			
4	+	V553-000010	1	BEARING,NEEDLE 8	HK0810		
5		A130-000540	1	CYLINDER			
6		900162-05022	2	BOLT, H.S. 5*22	5*22 W,SW		
7		V100-000160	1	GASKET,CYL			
8		P021-007712	1	PISTON KIT			
9	+	A101-000090	1	RING,PISTON			
10	+	100013-11520	1	PIN, PISTON			
11	+	100015-04630	2	CIRCLIP, PISTON PIN			
12	+	100014-11520	3	SPACER, PISTON PIN			
13		100204-52132	1	CRANKCASE KIT			
14	+	100212-42031	2	OILSEAL	ISCD 12*22*4.5		
15	+	100215-03930	2	PIN, DOWEL			
16	+	94035-36201	2	BEARING BALL	6201X3JR2C3		
18	+	100242-42030	1	GASKET, CRANKCASE			
19	+	900162-05028	3	BOLT, H.S. 5*28	5*28 W,SW		
20		101511-44630	1	COVER, FAN (BS)			
21		900151-05025	1	BOLT 5*25	5*25 S45C	Sus. by 900162-05025	
21		900162-05025	1	BOLT, H.S. 5*25	5*25 W,SW		
24		900163-04016	4	BOLT HSH			
26		900238-04012	2	SCREW 4*12	4*12		
27		890115-24660	1	LABEL, MODEL		Sus. by X547-000920	
27		X547-000920	1	LABEL,ECHO			

er)



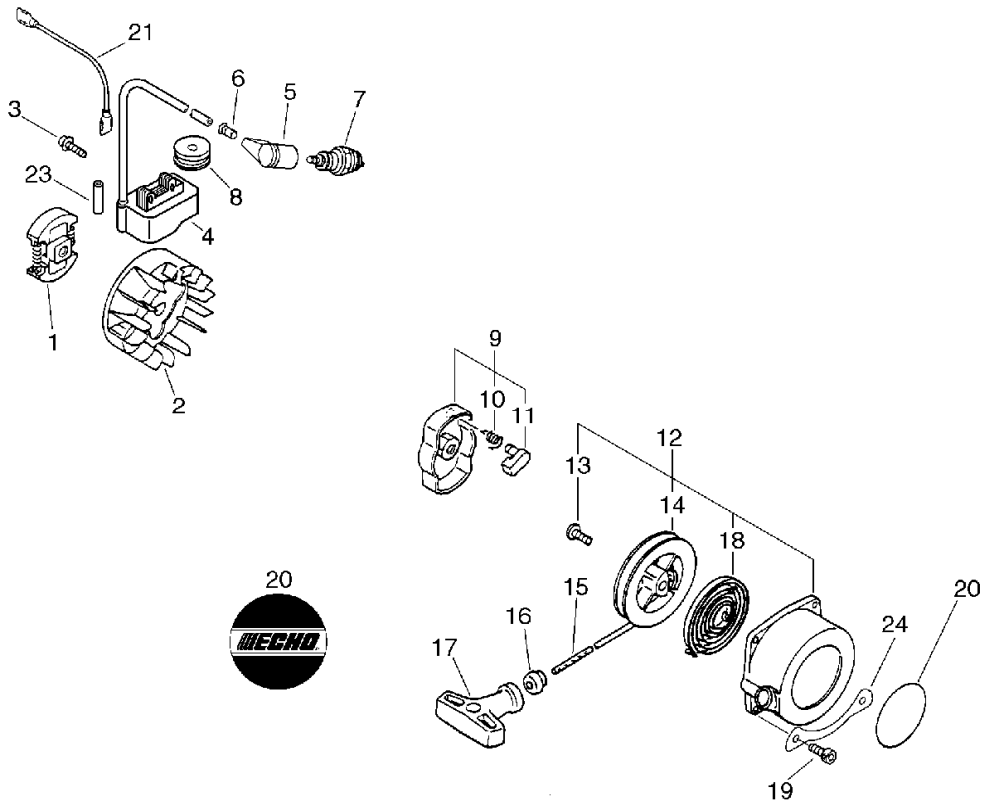
2. Cylinder, Crankcase, Piston, Fan Cover(Sr/Nr 36003301 and after



KEY	LV	PART NUMBER	Q'TY	DESCRIPTION	REMARKS	NOTE1	NOTE2
28		A160-000590	1	COVER,CYLINDER			
29		900253-05016	1	SCREW	5*16		
30		A162-000070	1	GUARD, TOP			
31		900163-04016	2	BOLT HSH			
32		175053-04920	1	STOPPER			
33		900701-00012	1	CIRCLIP 12	CS-12		
34		900814-06201	1	BEARING, BALL 6201	6201ZZ		
35		900702-00032	1	CIRCLIP 32	CR-32		
36		175005-42030	1	DRUM, CLUTCH			
37		132112-22031	1	CLIP, FUEL PIPE		Sr/Nr 36003301 and after	
38		900238-05010	1	SCREW 5*10	5*10	Sr/Nr 36003301 and after	

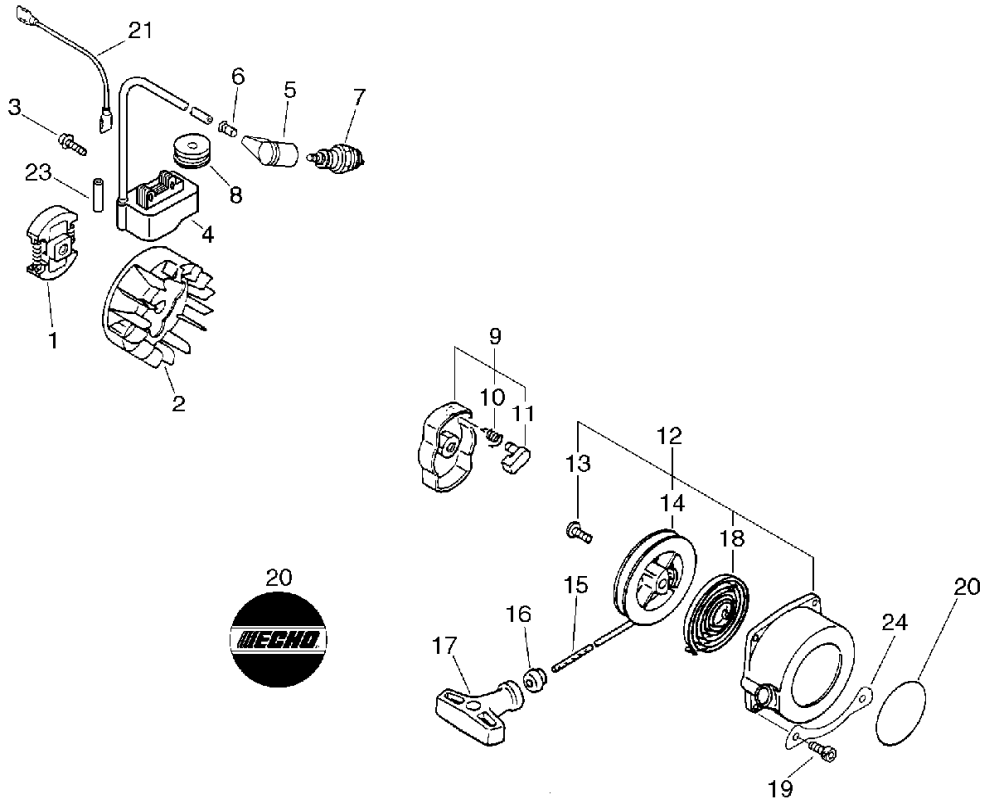
er)



3. Starter, Magneto, Clutch(Sr/Nr 36003300 and before)

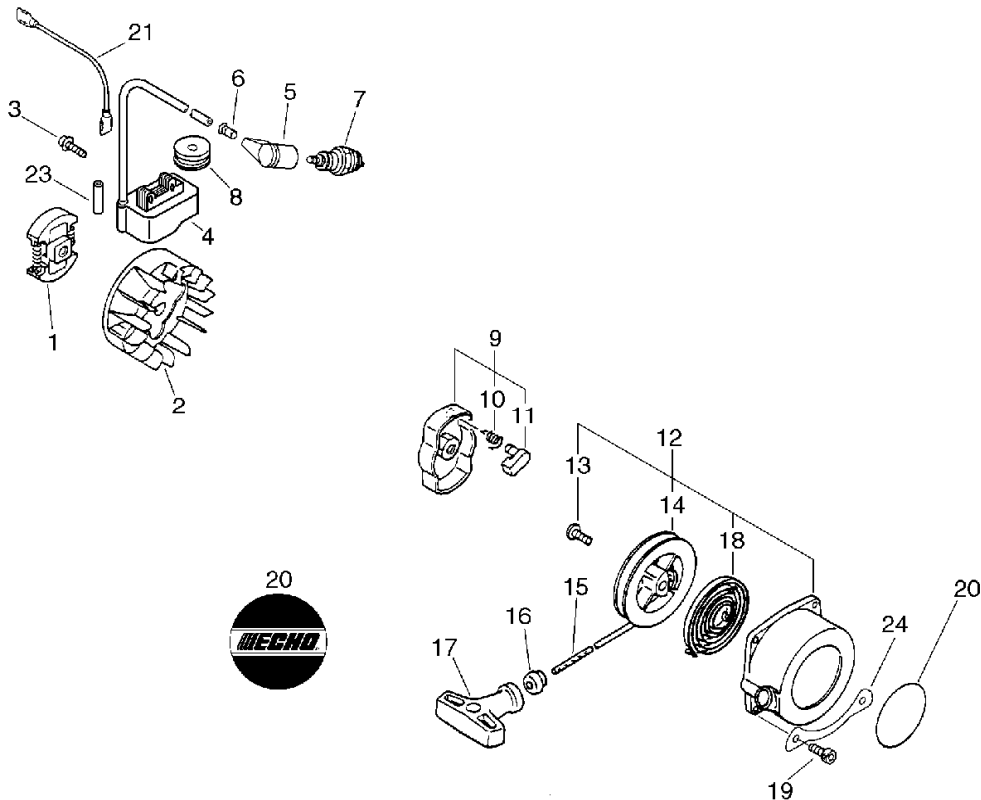
KEY	LV	PART NUMBER	Q'TY	DESCRIPTION	REMARKS	NOTE1	NOTE2
1		175000-56830	1	CLUTCH ASSY		Sus. by 175000-56831	
2		A409-000210	1	ROTOR,MAGNETO			
3		900162-04020	2	BOLT, H.S. 4*20	4*20 W,SW		
4		A411-000130	1	COIL,IGNITION			
5		159012-10230	1	CAP, SPARK PLUG			
6		159016-05330	1	ADAPTER, PLUG CAP			
7		A425-000000	1	SPARKPLUG	BPMR8Y		
8		150112-44330	1	BUSHING			
9		177202-44331	1	PAWL ASM., STARTER			
10	+	177234-12220	1	SPRING, PAWL			
11	+	177218-44330	1	PAWL, STARTER	BLACK		
12		177200-42033	1	STARTER ASSY			
13	+	177236-44330	1	SCREW			
14	+	177215-44430	1	DRUM, STARTER			
15	+	177226-10120	1	ROPE, STARTER	3.0*1000		
16	+	177227-42030	1	GUIDE, ROPE			
17	+	177228-06530	1	GRIP, STARTER			
18	+	177220-42030	1	SPRING, REWIND			
19		900163-04016	2	BOLT HSH		Sr/Nr 36001457 and before	
19		900163-04020	2	BOLT HSH		Sr/Nr 36001458 and after	
20		890118-49130	1	LABEL, ECHO			
21		V485-000290	1	LEAD			
23		156110-54930	1	TUBE	7*8.6*18.5		

3. Starter, Magneto, Clutch(Sr/Nr 36003300 and before)



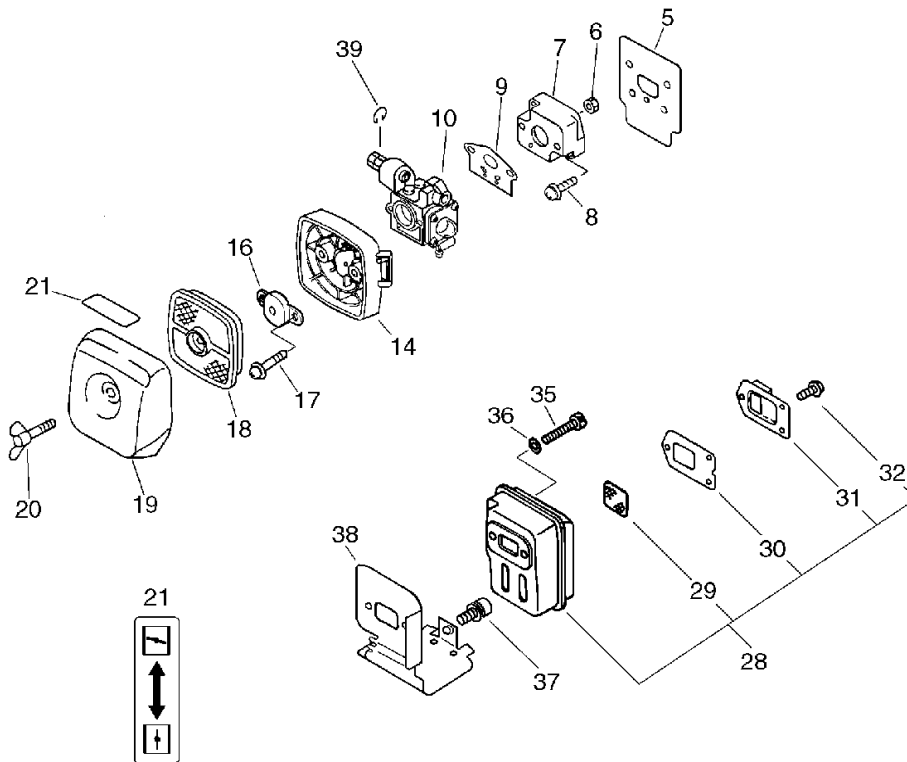
KEY	LV	PART NUMBER	Q'TY	DESCRIPTION	REMARKS	NOTE1	NOTE2
24		V150-001640	1	PLATE,EYE		Sr/Nr 36001458 and after	

4. Starter, Magneto, Clutch(Sr/Nr 36003301 and after)



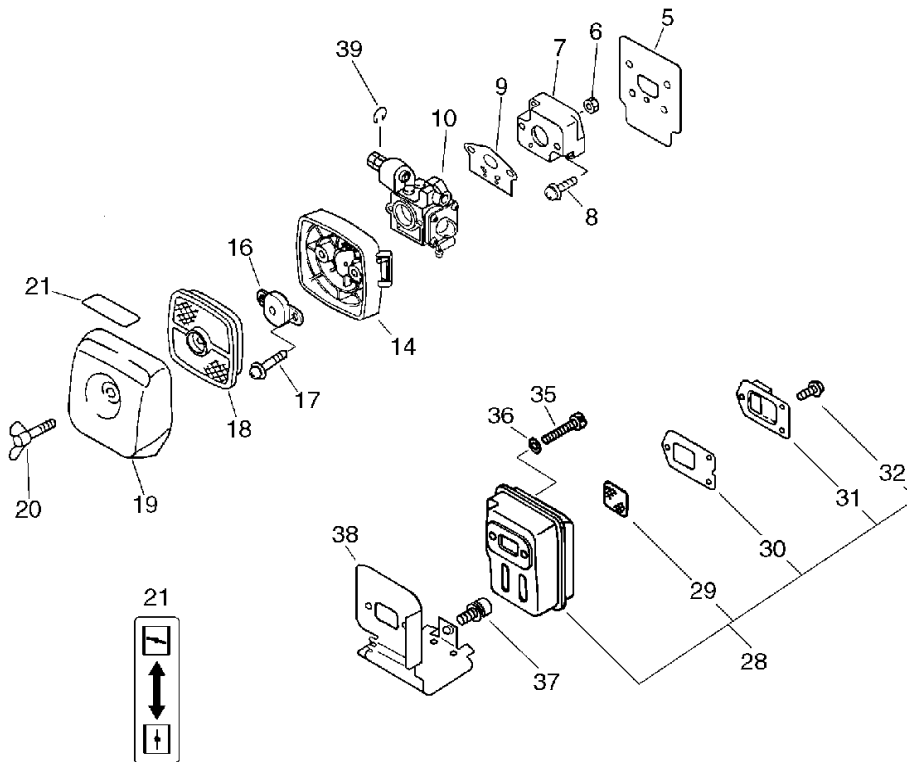
KEY	LV	PART NUMBER	Q'TY	DESCRIPTION	REMARKS	NOTE1	NOTE2
1		175000-56830	1	CLUTCH ASSY		Sus. by 175000-56831	
1		175000-56831	1	CLUTCH ASSEMBLY			
2		A409-000210	1	ROTOR, MAGNETO			
3		900162-04020	2	BOLT, H.S. 4*20	4*20 W,SW		
4		A411-000130	1	COIL, IGNITION			
5		159012-10230	1	CAP, SPARK PLUG			
6		159016-05330	1	ADAPTER, PLUG CAP			
7		A425-000000	1	SPARKPLUG	BPMR8Y		
8		150112-44330	1	BUSHING			
9		177202-44331	1	PAWL ASM., STARTER			
10	+	177234-12220	1	SPRING, PAWL			
11	+	177218-44330	1	PAWL, STARTER	BLACK		
12		177200-42033	1	STARTER ASSY			
13	+	177236-44330	1	SCREW			
14	+	177215-44430	1	DRUM, STARTER			
15	+	177226-10120	1	ROPE, STARTER	3.0*1000		
16	+	177227-42030	1	GUIDE, ROPE			
17	+	177228-06530	1	GRIP, STARTER			
18	+	177220-42030	1	SPRING, REWIND			
19		900162-04020	2	BOLT, H.S. 4*20	4*20 W,SW		
20		890118-49130	1	LABEL, ECHO		Sus. by X502-000330	
21		V485-000290	1	LEAD			
23		156110-54930	1	TUBE	7*8.6*18.5		
24		V150-001640	1	PLATE, EYE			

5. Air Cleaner, Muffler(Sr/Nr 36003300 and before)



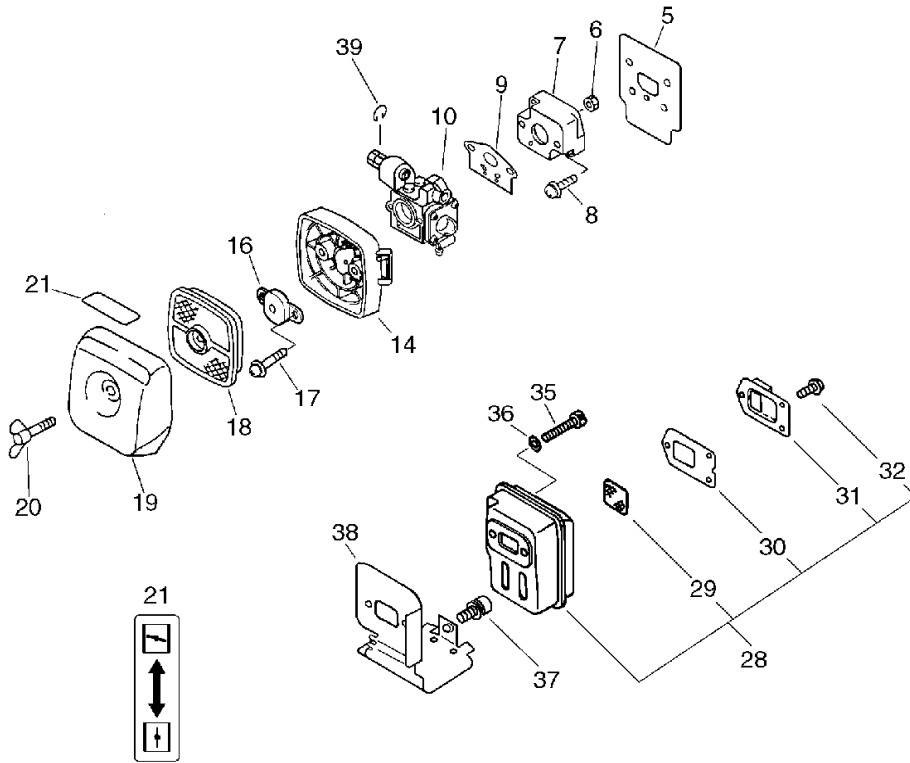
KEY	LV	PART NUMBER	Q'TY	DESCRIPTION	REMARKS	NOTE1	NOTE2
5		130010-42032	1	GASKET,INTAKE			
6		900500-00005	2	NUT 5	5		
7		130017-44330	1	INSULATOR			
8		900238-05020	2	SCREW 5*20	5*20		
9		130010-13410	1	GASKET, INTAKE			
10		A021-000740	1	CARBURETOR,DIAPHRAGM	RB-75		
14		P021-004480	1	CASE, AIR CLEANER			
16		129011-52730	1	PLATE, PREVENT			
17		900220-05065	2	SCREW 5*65	5*65		
18		130310-54130	1	FILTER, AIR			
19		130313-05863	1	LID, AIR CLEANER			
20		210417-52730	1	BOLT, WING	5*20		
21		890332-52730	1	LABEL, CHOKE			
28		P021-007420	1	MUFFLER ASY			
29	+	145862-40630	1	SCREEN, MUFFLER			
30	+	145866-42031	1	GASKET, MUFFLER LID			
31	+	A313-000580	1	GUIDE,EXH			
32	+	900242-04010	3	SCREW 4*10	4*10		
35		900105-05055	2	BOLT, H.S. 5*55	5*55		
36		900600-00005	2	WASHER 5	5		
37		91107-04008	1	BOLT HSH FLANGE	4*8		
38		V104-000510	1	GASKET,EXHAUST			

6. Air Cleaner, Muffler(Sr/Nr 36003301 and after)

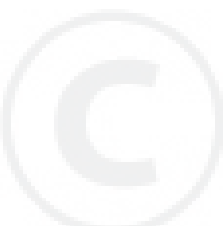


KEY	LV	PART NUMBER	Q'TY	DESCRIPTION	REMARKS	NOTE1	NOTE2
5		130010-42032	1	GASKET,INTAKE			
6		900500-00005	2	NUT 5	5		
7		130017-44330	1	INSULATOR		Sus. by 130017-44331	
8		900238-05020	2	SCREW 5*20	5*20	Sus. by 900238-05022	
9		130010-13410	1	GASKET, INTAKE			
10		A021-001460	1	CARBURETOR,DIAPHRAGM	RB-K87	Sr/Nr 36003301 and after	
14		P021-004480	1	CASE, AIR CLEANER			
16		129011-52730	1	PLATE, PREVENT			
17		900220-05065	2	SCREW 5*65	5*65		
18		130310-54130	1	FILTER, AIR			
19		130313-05863	1	LID, AIR CLEANER			
20		210417-52730	1	BOLT, WING	5*20		
21		890332-52730	1	LABEL, CHOKE			
28		P021-007420	1	MUFFLER ASY			
29	+	145862-40630	1	SCREEN, MUFFLER			
30	+	145866-42031	1	GASKET, MUFFLER LID			
31	+	A313-000580	1	GUIDE,EXH			
32	+	900242-04010	3	SCREW 4*10	4*10		
35		900105-05055	2	BOLT, H.S. 5*55	5*55		
36		900600-00005	2	WASHER 5	5		
37		91107-04008	1	BOLT HSH FLANGE	4*8		
38		V104-000510	1	GASKET,EXHAUST			

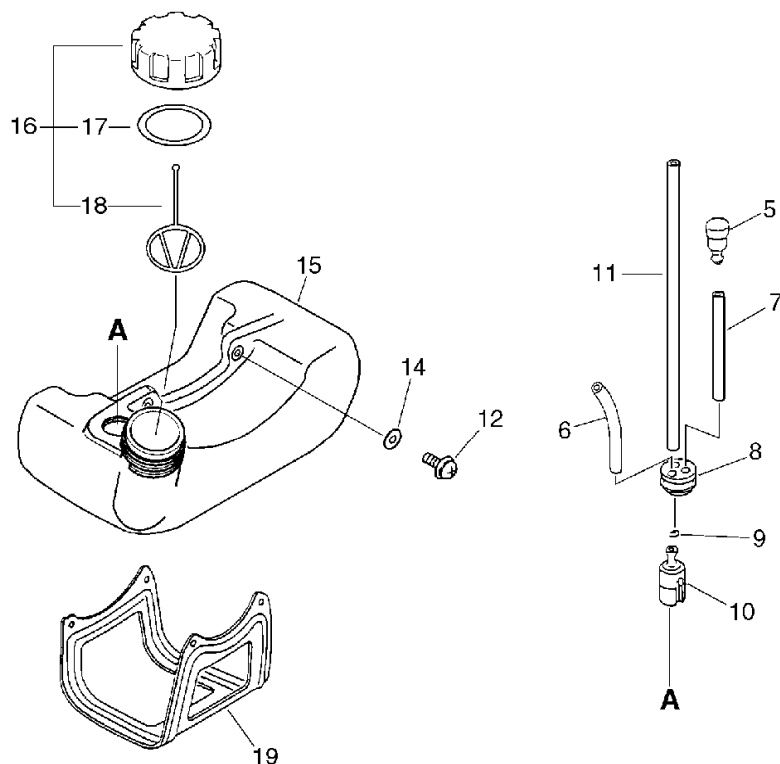
6. Air Cleaner, Muffler(Sr/Nr 36003301 and after)



KEY	LV	PART NUMBER	Q'TY	DESCRIPTION	REMARKS	NOTE1	NOTE2
39		100015-00120	1	CIRCLIP, PISTON PIN		Sr/Nr 36003301 and after	

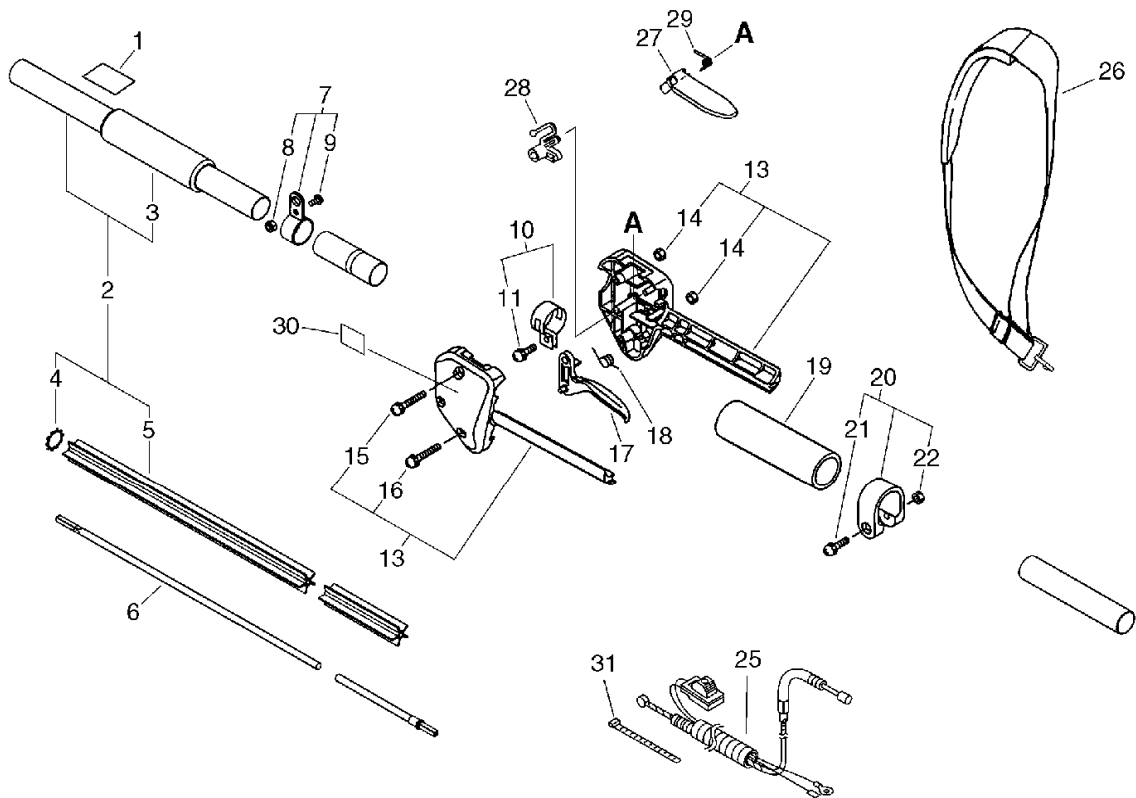


7. Fuel Tank



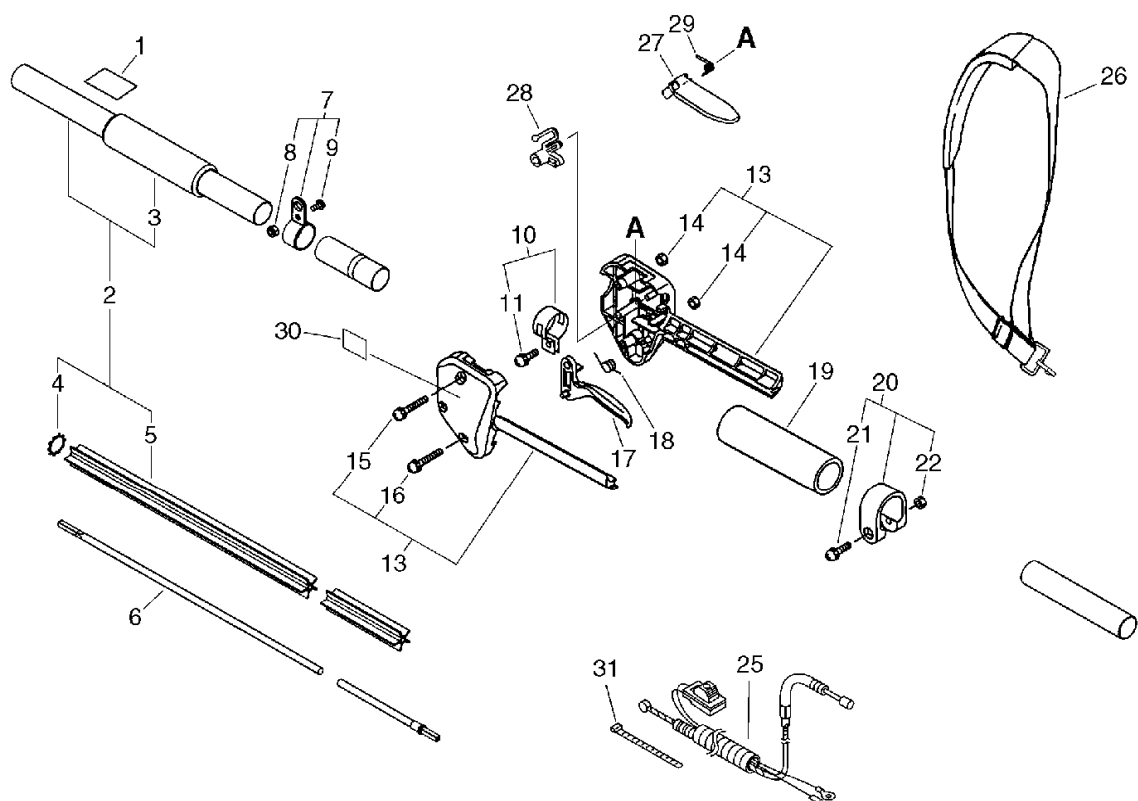
KEY	LV	PART NUMBER	Q'TY	DESCRIPTION	REMARKS	NOTE1	NOTE2
5		A356-000030	1	VALVE,CHECK			
6		132012-56030	1	PIPE	3*6*80 YL		
7		V471-001200	1	PIPE	3*5*70 NBR		
8		V137-000030	1	GROMMET,FUEL			
9		132013-09820	1	CLIP	6MM		
10		131205-07320	1	STRAINER, FUEL			
11		V471-001190	1	PIPE	3*5*180 NBR		
12		900238-05020	2	SCREW 5*20	5*20		
14		900603-00005	2	WASHER 5	5.5*12*0.8		
15		A350-000291	1	TANK,FUEL			
16		131004-55530	1	CAP ASSY, FUEL TANK			
17	+	131016-55830	1	GASKET, FUEL CAP			
18	+	131051-56030	1	CLIP, FUEL CAP	100L		
19		305110-42030	1	STAND (BL)			

8. Handle(Sr/Nr 36003300 and before)



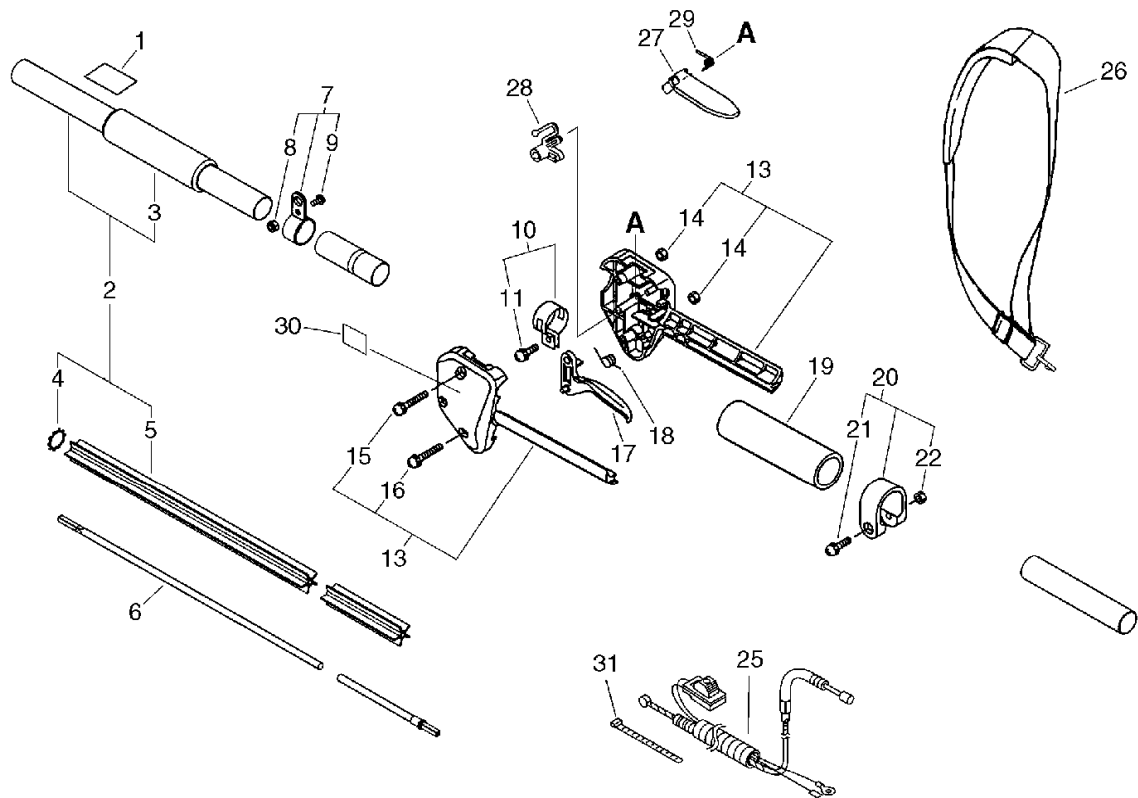
KEY	LV	PART NUMBER	Q'TY	DESCRIPTION	REMARKS	NOTE1	NOTE2
1		890160-22660	1	LABEL, CAUTION			
2		610609-24661	1	PIPE, MAIN			
3	+	351311-22060	1	GRIP, HANDLE			
4	+	900038-00100	1	WASHER,EXTERNAL			
5	+	610217-22060	1	LINER, FLEXBLE			
6		610013-22060	1	SHAFT, FLEXIBLE			
7		300605-22060	1	BRACKET, HARNESS			
8	+	900031-50100	1	LOCKNUT			
9	+	900053-00200	1	SCREW			
10		301200-29430	1	BAND ASSY			
11	+	900242-05014	1	SCREW 5*14	5*14		
12		163401-55631	1	SWITCH, IGNITION		Sr/Nr 36003300 and before	
13		178003-52130	1	BRACKET SET,THROTTLE			
14	+	900500-00005	2	NUT 5	5		
15	+	900242-05035	1	SCREW 5*35	5*35		
16	+	900242-05025	1	SCREW 5*25	5*25		
17		178010-52130	1	CONTROL, THROTTLE			
18		178043-42230	1	SPRING, THR. RETURN			
19		351213-52130	1	GRIP			
20		610272-52130	1	BAND			
21	+	900242-05028	1	SCREW 5*28	5*28		
22	+	900500-00005	1	NUT 5	5		
24		178127-50330	1	TUBE	10*11*140	Sr/Nr 36003300 and before	

8. Handle(Sr/Nr 36003300 and before)



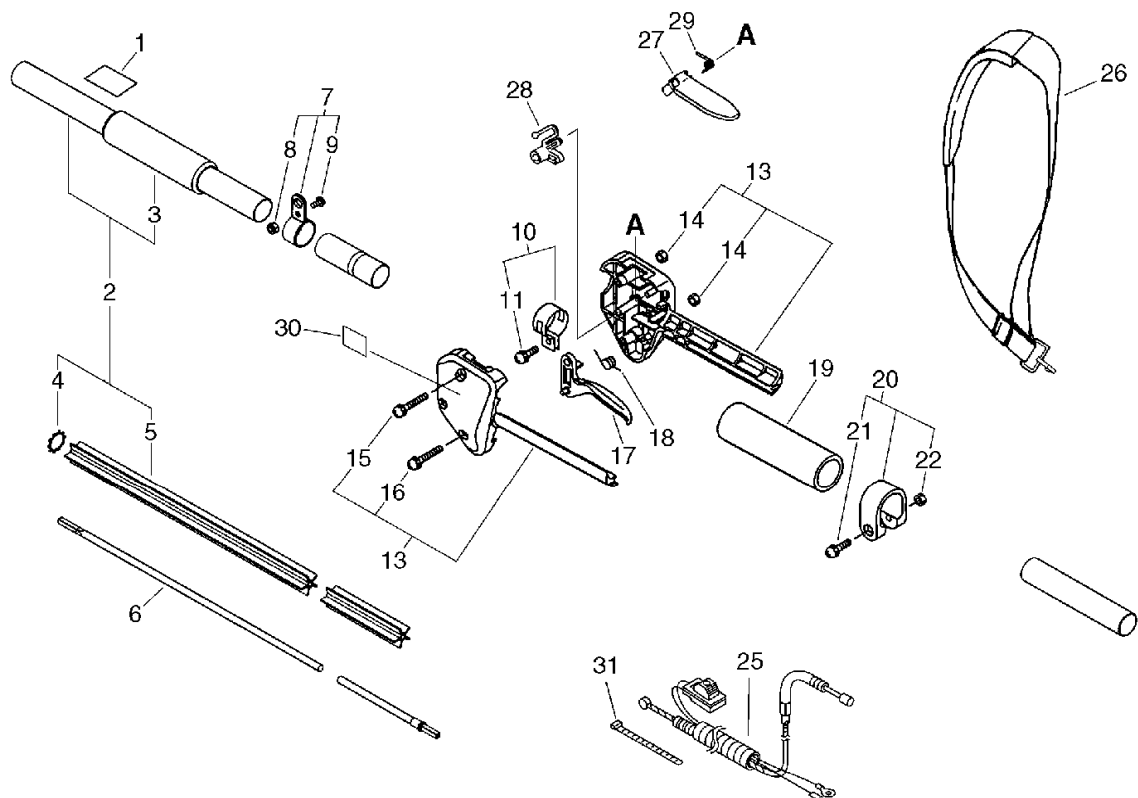
KEY	LV	PART NUMBER	Q'TY	DESCRIPTION	REMARKS	NOTE1	NOTE2
25		V430-000671	1	CABLE,BOWDEN		Sr/Nr 36003300 and before	
26		301000-22060	1	HARNESS ASY,SHOULDER			
27		178090-52631	1	LOCKOUT, T. CONTROL		Sus. by 178090- 52632	
27		178090-52632	1	LOCKOUT, T. CONTROL			
28		178012-52730	1	LOCKOUT, THROTTLE			
29		178013-52630	1	SPRING, THR. LOCK			
30		890157-39130	1	LABEL, SWITCH			

9. Handle(Sr/Nr 36003301 and after)



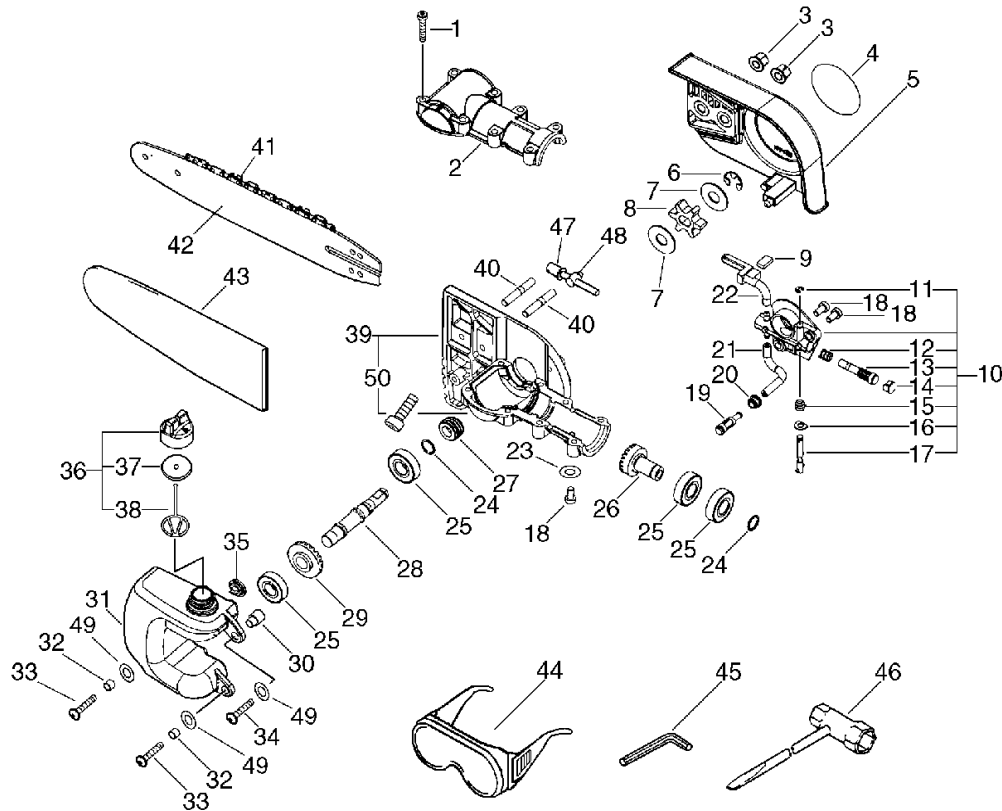
KEY	LV	PART NUMBER	Q'TY	DESCRIPTION	REMARKS	NOTE1	NOTE2
1		890160-22660	1	LABEL, CAUTION		Sus. by 890160-22661	
2		610609-24661	1	PIPE, MAIN			
3	+	351311-22060	1	GRIP, HANDLE			
4	+	900038-00100	1	WASHER, EXTERNAL			
5	+	610217-22060	1	LINER, FLEXBLE			
6		610013-22060	1	SHAFT, FLEXIBLE			
7		300605-22060	1	BRACKET, HARNESS			
8	+	900031-50100	1	LOCKNUT			
9	+	900053-00200	1	SCREW			
10		301200-29430	1	BAND ASSY			
11	+	900242-05014	1	SCREW 5*14	5*14		
13		178003-52130	1	BRACKET SET, THROTTLE			
14	+	900500-00005	2	NUT 5	5		
15	+	900242-05035	1	SCREW 5*35	5*35		
16	+	900242-05025	1	SCREW 5*25	5*25		
17		178010-52130	1	CONTROL, THROTTLE			
18		178043-42230	1	SPRING, THR. RETURN			
19		351213-52130	1	GRIP			
20		610272-52130	1	BAND			
21	+	900242-05028	1	SCREW 5*28	5*28		
22	+	900500-00005	1	NUT 5	5		
25		V043-000200	1	CABLE ASY, CONTROL		Sr/Nr 36003301 and after	
26		301000-22060	1	HARNESS ASY, SHOULDER			
27		178090-52632	1	LOCKOUT, T. CONTROL			

9. Handle(Sr/Nr 36003301 and after)



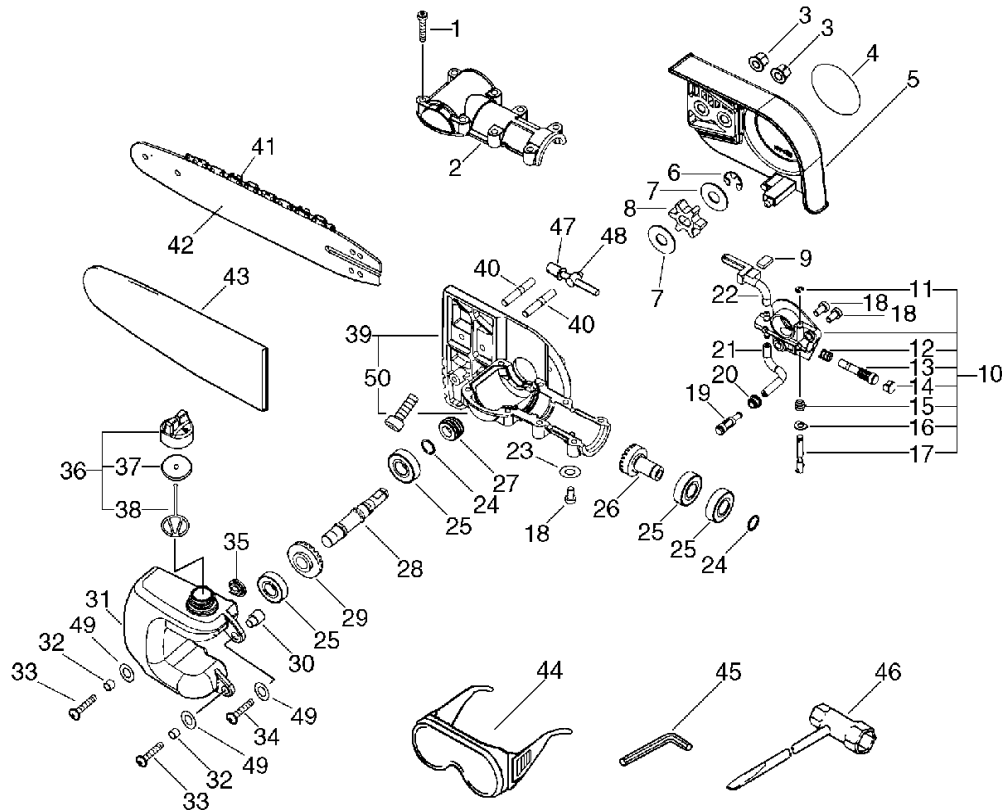
KEY	LV	PART NUMBER	Q'TY	DESCRIPTION	REMARKS	NOTE1	NOTE2
28		178012-52730	1	LOCKOUT, THROTTLE			
29		178013-52630	1	SPRING, THR. LOCK			
30		890157-39130	1	LABEL, SWITCH			
31		178121-43230	1	BAND	CV-150 BL	Sr/Nr 36003301 and after	

10. Auto-Oiler, Gear Case, Tools(Sr/Nr 36003000 and before)



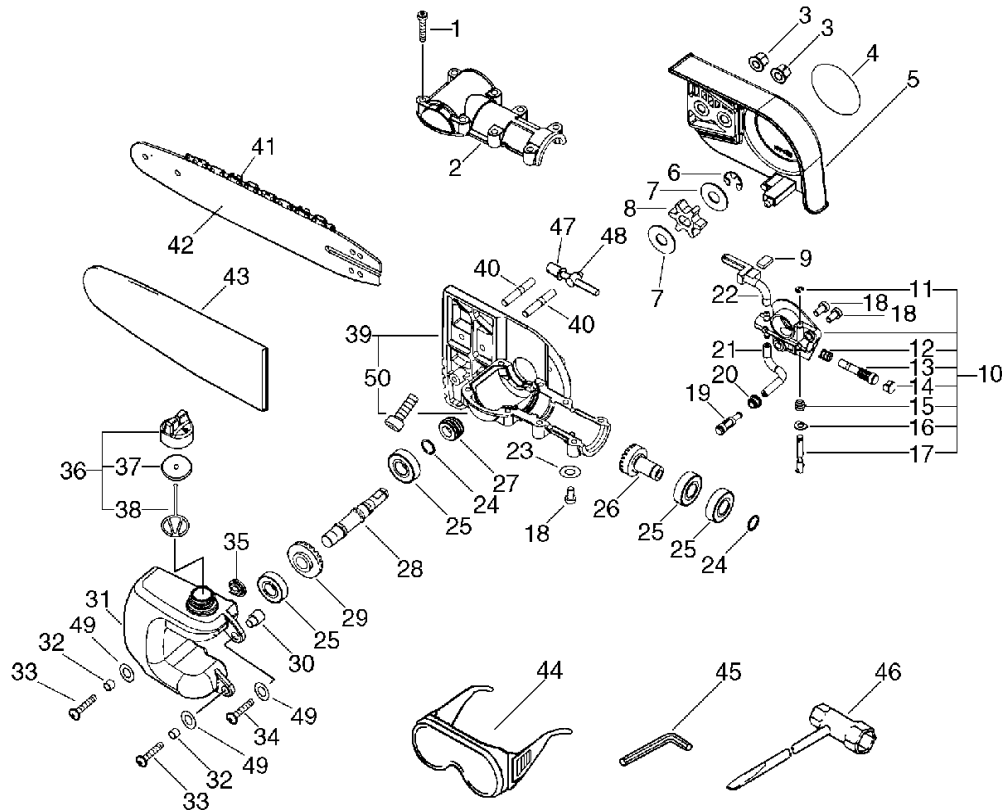
KEY	LV	PART NUMBER	Q'TY	DESCRIPTION	REMARKS	NOTE1	NOTE2
1		V253-000000	8	SCREW,5	5*25	Sus. by 900109-05025	
1		900109-05025	8	BOLT, H.S,H	5*25 SUS		
2		C531-000010	1	CASE,GEAR	25.5		
3		433019-03933	2	NUT, FLANGE 6	6		
4		890118-49130	1	LABEL, ECHO			
5		C300-000001	1	GUARD,SPROCKET			
6		V583-000010	1	RING			
7		175014-39130	2	WASHER, CLUTCH	10.2*25*1.2	Sus. by 175014-39131	
7		175014-39131	2	WASHER, CLUTCH	10.2*24.5*1.2		
8		C580-000070	1	SPROCKET,DRIVE			
9		437244-39130	1	PAD, FORM			
10		437002-39130	1	AUTO-OILER ASSY			
11	+	123127-15030	1	RING			
12	+	437019-38330	1	SPRING			
13	+	437024-37330	1	PLUNGER			
14	+	437062-37330	1	CAP, OIL PUMP			
15	+	437015-37330	1	SPRING			
16	+	437029-37330	1	WASHER			
17	+	437016-39130	1	NEEDLE, ADJUST			
18		V253-000010	3	SCREW,5	5*10	Sus. by 900109-05010	
18		900109-05010	3	BOLT, H.S,	5*10		
19		436205-02832	1	STRAINER, OIL			

10. Auto-Oiler, Gear Case, Tools(Sr/Nr 36003000 and before)



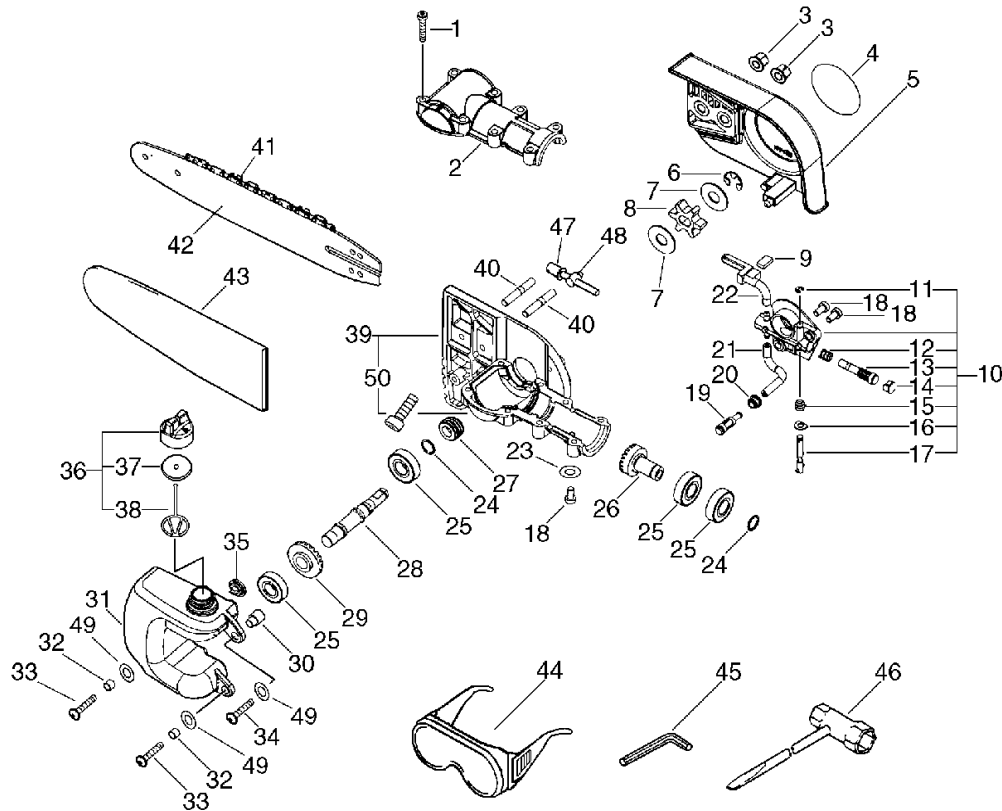
KEY	LV	PART NUMBER	Q'TY	DESCRIPTION	REMARKS	NOTE1	NOTE2
20		132115-01461	1	GROMMET			
21		130110-12330	1	PIPE, IMPULSE	3*6*70L		
22		V470-000180	1	PIPE			
23		900600-00005	1	WASHER 5	5	Sr/Nr 36001478 and after	
24		900706-00012	2	CIRCLIP 12	WR-12		
25		94042-06001	4	BEARING BALL	6001LLU		
26		V651-000032	1	GEAR,BEVEL		Sr/Nr 36001477 and before	
26		V651-000230	1	GEAR,BEVEL	MG 80.2310.001	Sr/Nr 36001478 and after	
27		437063-38330	1	GEAR, WORM			
28		C534-000180	1	SHAFT,GEAR		Sr/Nr 36003000 and before	
29		V651-000111	1	GEAR,BEVEL		Sr/Nr 36001477 and before	
29		V651-000200	1	GEAR,BEVEL	MG 0600.2259	Sr/Nr 36001478 and after Sus. by V651-000201	
30		V354-000010	1	COLLAR,6			
31		C200-000000	1	TANK,OIL			
32		131045-28230	2	COLLAR			
33		V253-000030	2	SCREW,5	5*16	Sus. by 91109- 05016	
33		91109-05016	2	BOLT	CB 5*16		

10. Auto-Oiler, Gear Case, Tools(Sr/Nr 36003000 and before)



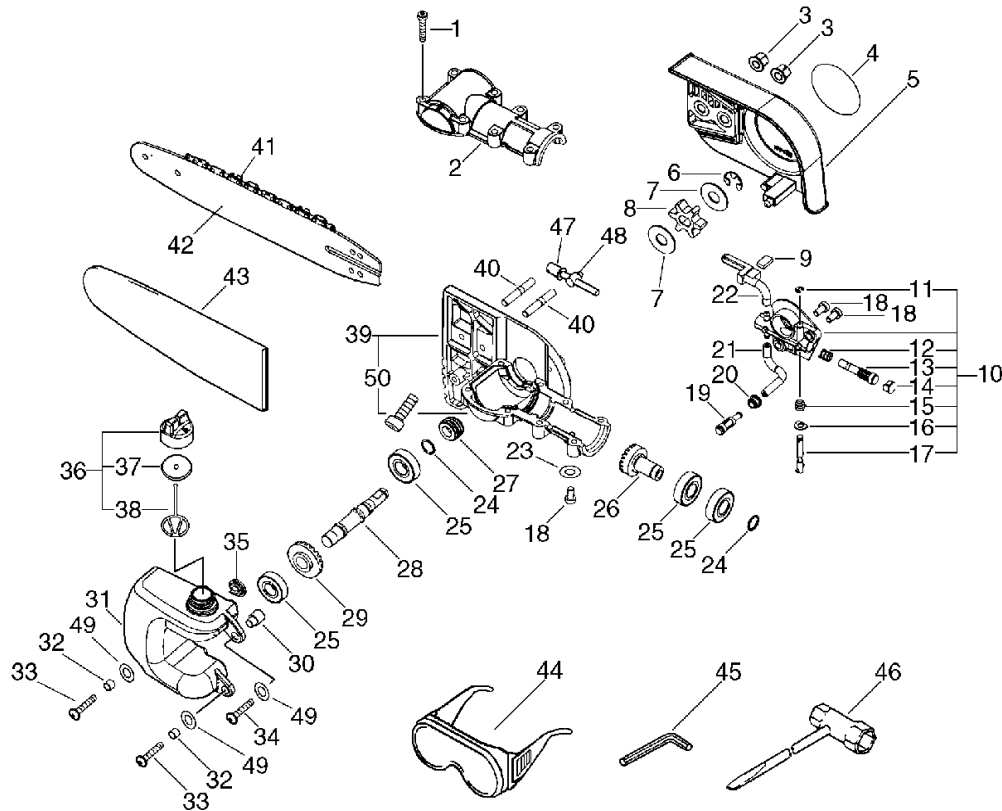
KEY	LV	PART NUMBER	Q'TY	DESCRIPTION	REMARKS	NOTE1	NOTE2
34		V253-000020	1	SCREW,5	5*28	Sus. by 900109-05025	
34		900109-05025	1	BOLT, H.S,H	5*25 SUS		
35		131314-06320	1	VALVE, CHECK			
36		P021-000950	1	CAP ASSY, OIL		Sus. by P021-000951	
36		P021-000951	1	CAP ASSY, OIL			
37	+	436012-37830	1	GASKET, CIRCULAR			
38	+	131051-19830	1	LINK	60L	Sus. by A365-000050	
38	+	A365-000050	1	CONNECTOR,CAP			
39		C531-000020	1	CASE,GEAR	25.5	Sr/Nr 36001498 and before	
39		C051-000110	1	CASE,GEAR	PPF GC ASSEMBLY	Sr/Nr 36001499 and after	
50	+	900109-05010	1	BOLT, H.S,	5*10	Can be used on the C051-000110 only	
40		V224-000000	2	BOLT,STUD 6			
41		431610-22160	1	CHAIN, SAW	90SG-39	Sus. by X221-000040	
42		X101-000070	1	BAR,GUIDE2580-43-3/8	25RC-43-3/8		
43		X490-000060	1	SCABBARD.CHAIN			
44		P021-002861	1	GOGGLES			
45		895612-03430	1	L-WRENCH (3MM)		Sr/Nr 36001498 and before	

10. Auto-Oiler, Gear Case, Tools(Sr/Nr 36003000 and before)



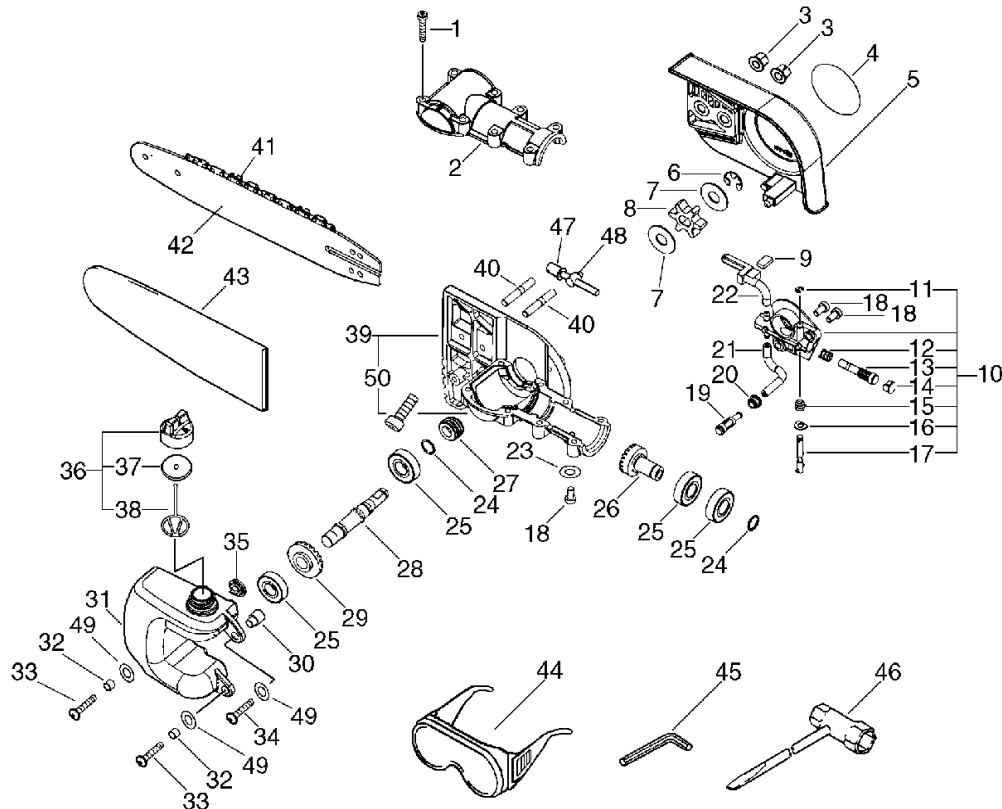
KEY	LV	PART NUMBER	Q'TY	DESCRIPTION	REMARKS	NOTE1	NOTE2
45		895610-00130	1	L-WRENCH (4MM)		Sr/Nr 36001499 and after	
46		895410-39130	1	WRENCH, W/S-DRIVER		Sus. by 895410- 39131	
46		895410-39131	1	WRENCH, W/S-DRIVER			
47		433016-39131	1	BOLT			
48		433014-03931	1	TENSIONER			
49		900603-00005	3	WASHER 5	5.5*12*0.8	Sr/Nr 36001478 and after	

11. Auto-Oiler, Gear Case, Tools(Sr/Nr 36003001 and after)



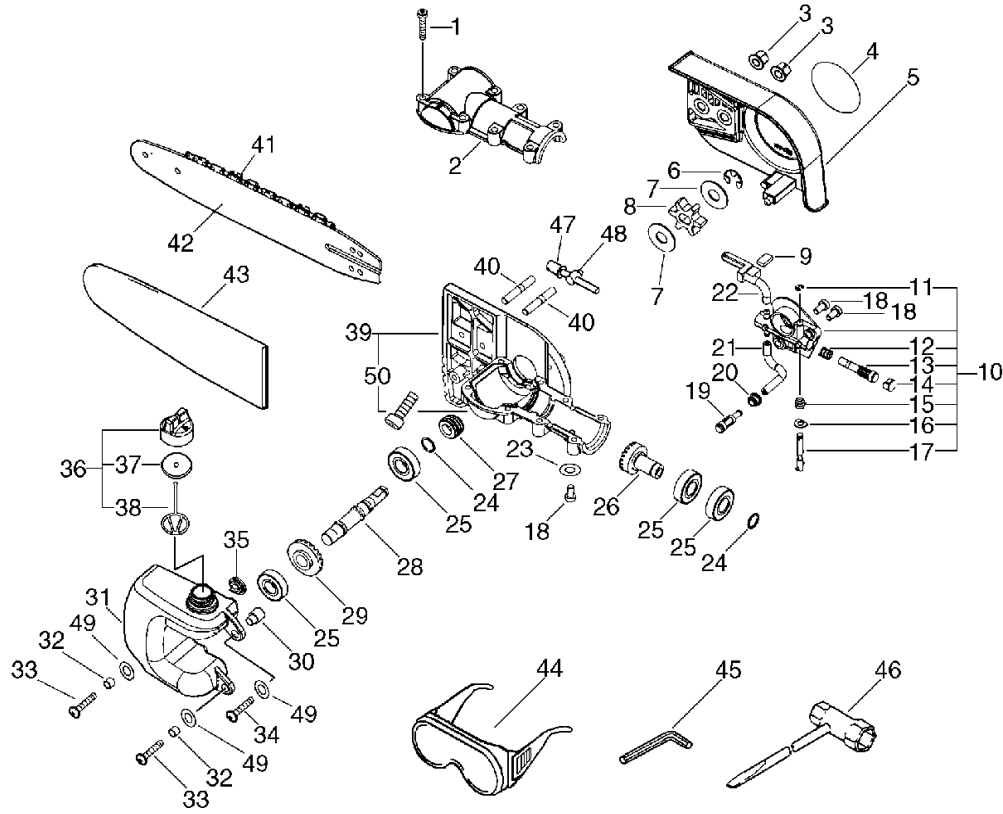
KEY	LV	PART NUMBER	Q'TY	DESCRIPTION	REMARKS	NOTE1	NOTE2
1		900109-05025	8	BOLT, H.S,H	5*25 SUS		
2		C531-000010	1	CASE,GEAR	25.5		
3		433019-03933	2	NUT, FLANGE 6	6		
4		890118-49130	1	LABEL, ECHO		Sus. by X502-000330	
5		C300-000001	1	GUARD,SPROCKET			
6		V583-000010	1	RING			
7		175014-39130	2	WASHER, CLUTCH	10.2*25*1.2		
8		C580-000070	1	SPROCKET,DRIVE			
9		437244-39130	1	PAD, FORM			
10		437002-39130	1	AUTO-OILER ASSY			
11	+	123127-15030	1	RING			
12	+	437019-38330	1	SPRING			
13	+	437024-37330	1	PLUNGER			
14	+	437062-37330	1	CAP, OIL PUMP			
15	+	437015-37330	1	SPRING			
16	+	437029-37330	1	WASHER			
17	+	437016-39130	1	NEEDLE, ADJUST			
18		900109-05010	3	BOLT, H.S,	5*10		
19		436205-02832	1	STRAINER, OIL			
20		132115-01461	1	GROMMET			
21		130110-12330	1	PIPE, IMPULSE	3*6*70L		
22		V470-000180	1	PIPE			
23		900600-00005	1	WASHER 5	5		
24		900706-00012	2	CIRCLIP 12	WR-12		
25		94042-06001	4	BEARING BALL	6001LLU		

11. Auto-Oiler, Gear Case, Tools(Sr/Nr 36003001 and after)



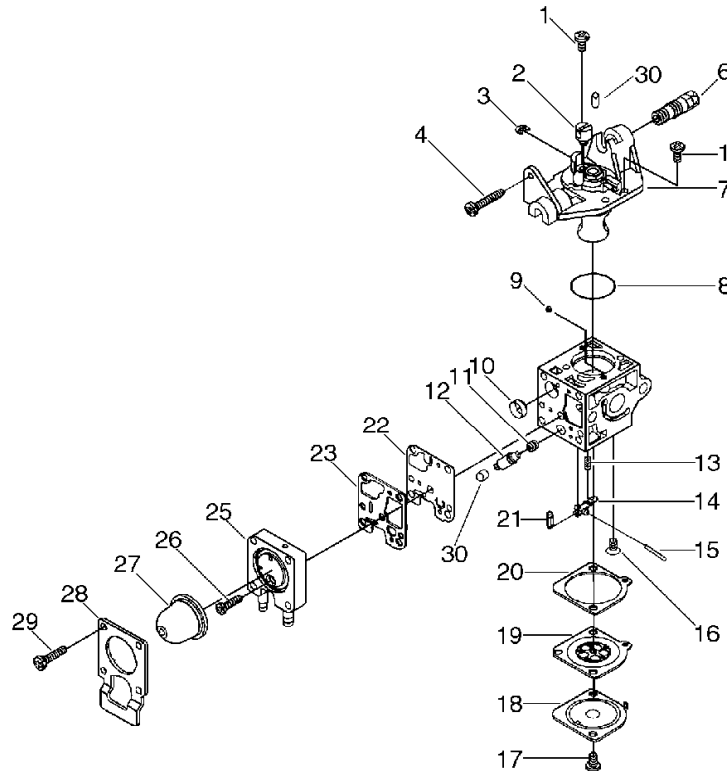
KEY	LV	PART NUMBER	Q'TY	DESCRIPTION	REMARKS	NOTE1	NOTE2
26		V651-000230	1	GEAR,BEVEL	MG 80.2310.001		
27		437063-38330	1	GEAR, WORM			
28		C534-000400	1	SHAFT, GEAR	84.50MM LENGTH	Sr/Nr 36003001 and after	
29		V651-000201	1	GEAR,BEVEL	MG 0600.2259		
30		V354-000010	1	COLLAR,6			
31		C200-000000	1	TANK,OIL			
32		131045-28230	2	COLLAR			
33		91109-05016	2	BOLT	CB 5*16		
34		900109-05025	1	BOLT, H.S.H	5*25 SUS		
35		131314-06320	1	VALVE, CHECK			
36		P021-000951	1	CAP ASSY, OIL			
37	+	436012-37830	1	GASKET, CIRCULAR			
38	+	A365-000050	1	CONNECTOR,CAP			
39		C051-000110	1	CASE,GEAR	PPF GC ASSEMBLY		
50	+	900109-05010	1	BOLT, H.S.	5*10		
40		V224-000000	2	BOLT,STUD 6			
41		431610-22160	1	CHAIN, SAW	90SG-39	Sus. by X221- 000040	
41		X221-000040	1	CHAIN,SAW 90SG-39CQ	90SG-39CQ ECHO		
42		X101-000070	1	BAR,GUIDE2580-43-3/8	25RC-43-3/8	Sus. by X101- 000110	
43		X490-000060	1	SCABBARD,CHAIN			

11. Auto-Oiler, Gear Case, Tools(Sr/Nr 36003001 and after)



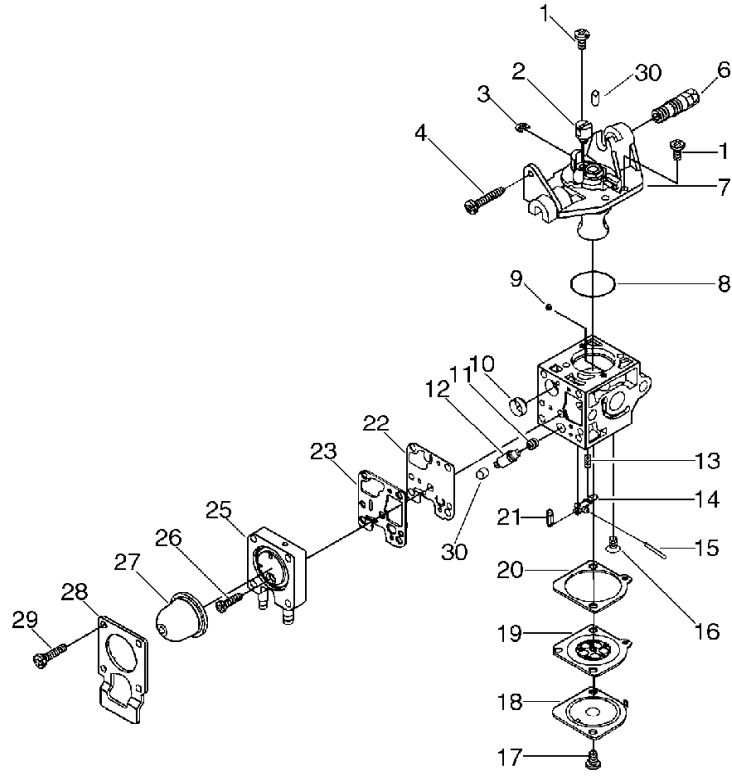
KEY	LV	PART NUMBER	Q'TY	DESCRIPTION	REMARKS	NOTE1	NOTE2
44		P021-002861	1	GOGGLES		Sus. by X690-000050	
45		895610-00130	1	L-WRENCH (4MM)			
46		895410-39131	1	WRENCH, W/S-DRIVER			
47		433016-39131	1	BOLT			
48		433014-03931	1	TENSIONER			
49		900603-00005	3	WASHER 5	5.5*12*0.8		

12. Carburetor(Sr/Nr 36003300 and before)



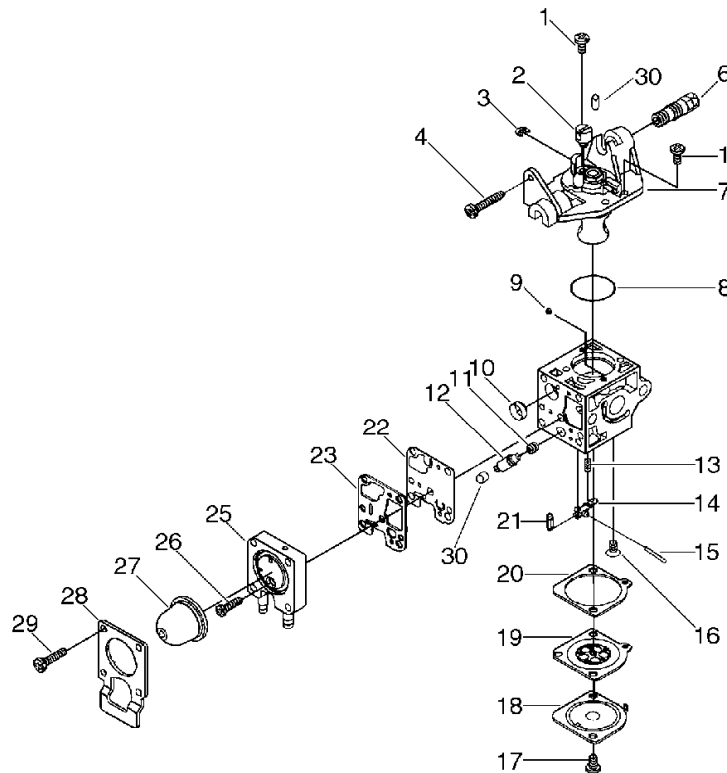
KEY	LV	PART NUMBER	Q'TY	DESCRIPTION	REMARKS	NOTE1	NOTE2
		A021-000740	1	CARBURETOR,DIAPHRAGM	RB-75	Sr/Nr 36003300 and before	
1	+	125344-13931	3	SCREW			
2	+	P005-001240	1	POST			
3	+	P005-000190	1	E-RING			
4	+	P005-000100	1	SCREW,THROTTLEADJUST			
6	+	P005-001330	1	SCREW, WIRE ADJUST		Sr/Nr 36003300 and before	
7	+	P005-001320	1	COVER ASY, ROTOR			
8	+	P005-000280	1	O-RING			
9	+	P005-001000	1	ROLLER, GUIDE			
10	+	P005-000010	1	STRAINER			
11	+	P005-001260	1	SCREW,MAINN MIXTURE			
12	+	P005-001250	1	RETAINER,PLUG BALL			
13	+	P005-000940	1	SPRING, METER. LEVER			
14	+	125323-08260	1	ARM, VALVE			
15	+	125338-13930	1	PIN, METERING ARM			
16	+	125339-42030	1	SCREW			
17	+	125344-52130	2	SCREW			
18	+	125342-52130	1	COVER, DIAPHRAGM			
19	+	125341-42030	1	DIAPHRAGM			
20	+	P005-000200	1	GASKET, METERING			
21	+	125337-08260	1	VALVE, INLET NEEDLE			
22	+	P005-000510	1	DIAPHRAGM, PUMP			
23	+	P005-000520	1	GASKET, PUMP			

12. Carburetor(Sr/Nr 36003300 and before)



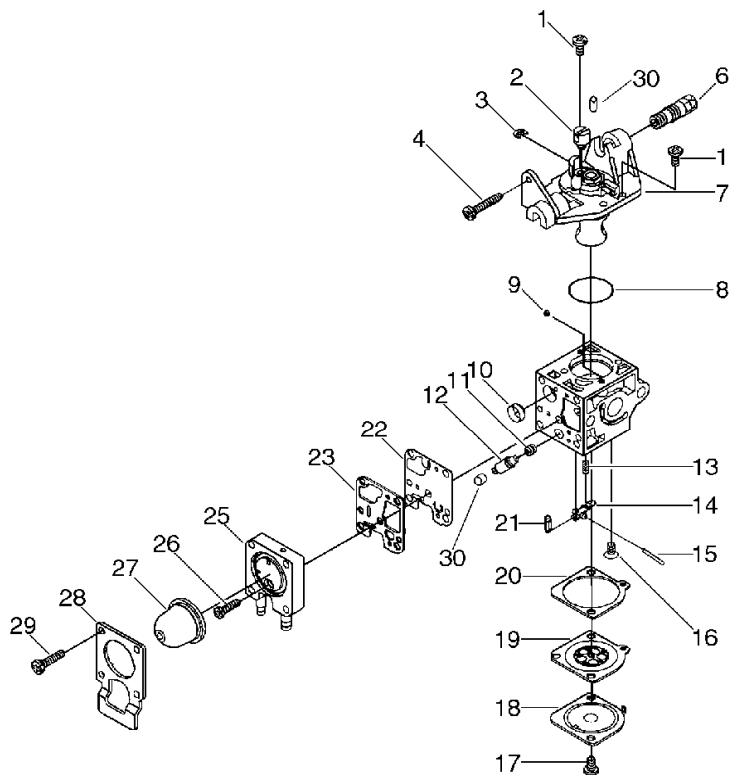
KEY	LV	PART NUMBER	Q'TY	DESCRIPTION	REMARKS	NOTE1	NOTE2
25	+	P005-000930	1	BASE, ASY PRIMER		Sus. by P005-001890	
26	+	P005-000270	1	SCREW			
27	+	125381-46730	1	PUMP, PRIMING			
28	+	P005-000250	1	RETAINER			
29	+	125310-61830	4	SCREW			
30	+	P005-001270	2	PLUG, H AJUST SCREW			

13. Carburetor(Sr/Nr 36003301 and after)



KEY	LV	PART NUMBER	Q'TY	DESCRIPTION	REMARKS	NOTE1	NOTE2
		A021-001460	1	CARBURETOR,DIAPHRAGM	RB-K87		
1	+	125344-13931	3	SCREW			
2	+	P005-001240	1	POST			
3	+	P005-000190	1	E-RING			
4	+	P005-000100	1	SCREW,THROTTLEADJUST			
6	+	P005-002010	1	SCREW, WIRW ADJUST		Sr/Nr 36003301 and after	
7	+	P005-001320	1	COVER ASY, ROTOR			
8	+	P005-000280	1	O-RING			
9	+	P005-001000	1	ROLLER, GUIDE			
10	+	P005-000010	1	STRAINER			
11	+	P005-001260	1	SCREW,MAINN MIXTURE			
12	+	P005-001250	1	RETAINER,PLUG BALL			
13	+	P005-000940	1	SPRING, METER. LEVER			
14	+	125323-08260	1	ARM, VALVE			
15	+	125338-13930	1	PIN, METERING ARM			
16	+	125339-42030	1	SCREW			
17	+	125344-52130	2	SCREW			
18	+	125342-52130	1	COVER, DIAPHRAGM			
19	+	125341-42030	1	DIAPHRAGM			
20	+	P005-000200	1	GASKET, METERING			
21	+	125337-08260	1	VALVE, INLET NEEDLE			
22	+	P005-000510	1	DIAPHRAGM, PUMP			
23	+	P005-000520	1	GASKET, PUMP			
25	+	P005-001890	1	BASE, ASY PRIMER			
26	+	P005-000270	1	SCREW			

13. Carburetor(Sr/Nr 36003301 and after)



KEY	LV	PART NUMBER	Q'TY	DESCRIPTION	REMARKS	NOTE1	NOTE2
27	+	125381-46730	1	PUMP, PRIMING			
28	+	P005-000250	1	RETAINER			
29	+	125310-61830	4	SCREW			
30	+	P005-001270	2	PLUG, H AJUST SCREW			

14. Repair Kit

KEY	LV	PART NUMBER	Q'TY	DESCRIPTION	REMARKS	NOTE1	NOTE2
		P005-000550	1	DIAPHRAGM/GASKET KIT			
7-19	+	125341-42030	1	DIAPHRAGM			
7-20	+	P005-000200	1	GASKET, METERING			
7-22	+	P005-000510	1	DIAPHRAGM, PUMP			
7-23	+	P005-000520	1	GASKET, PUMP			
		P005-000950	1	REBUILD KIT			
7-9	+	P005-001000	1	ROLLER, GUIDE			
7-10	+	P005-000010	1	STRAINER			
7-13	+	P005-000940	1	SPRING, METER. LEVER			
7-14	+	125323-08260	1	ARM, VALVE			
7-15	+	125338-13930	1	PIN, METERING ARM			
7-19	+	125341-42030	1	DIAPHRAGM			
7-20	+	P005-000200	1	GASKET, METERING			
7-21	+	125337-08260	1	VALVE, INLET NEEDLE			
7-22	+	P005-000510	1	DIAPHRAGM, PUMP			
7-23	+	P005-000520	1	GASKET, PUMP			

Index

Patrs Number	Key No.	Patrs Number	Key No.	Patrs Number	Key No.
100013-11520	1 - 10	130010-42032	5 - 5	177202-44331	3 - 9
100013-11520	2 - 10	130010-42032	6 - 5	177202-44331	4 - 9
100014-11520	1 - 12	130017-44330	5 - 7	177215-44430	3 - 14
100014-11520	1 - 12	130017-44330	6 - 7	177215-44430	4 - 14
100014-11520	2 - 12	130110-12330	10 - 21	177218-44330	3 - 11
100015-00120	6 - 39	130110-12330	11 - 21	177218-44330	4 - 11
100015-04630	1 - 11	130310-54130	5 - 18	177220-42030	3 - 18
100015-04630	2 - 11	130310-54130	6 - 18	177220-42030	4 - 18
100204-52132	1 - 13	130313-05863	5 - 19	177226-10120	3 - 15
100204-52132	2 - 13	130313-05863	6 - 19	177226-10120	4 - 15
100212-42031	1 - 14	131004-55530	7 - 16	177227-42030	3 - 16
100212-42031	2 - 14	131016-55830	7 - 17	177227-42030	4 - 16
100215-03930	1 - 15	131045-28230	10 - 32	177228-06530	3 - 17
100215-03930	2 - 15	131045-28230	11 - 32	177228-06530	4 - 17
100242-42030	1 - 18	131051-19830	10 - 38	177234-12220	3 - 10
100242-42030	2 - 18	131051-56030	7 - 18	177234-12220	4 - 10
101511-44630	1 - 20	131205-07320	7 - 10	177236-44330	3 - 13
101511-44630	2 - 20	131314-06320	10 - 35	177236-44330	4 - 13
123127-15030	10 - 11	131314-06320	11 - 35	178003-52130	8 - 13
123127-15030	11 - 11	132012-56030	7 - 6	178003-52130	9 - 13
125310-61830	12 - 29	132013-09820	7 - 9	178010-52130	8 - 17
125310-61830	13 - 29	132112-22031	2 - 37	178010-52130	9 - 17
125323-08260	12 - 14	132115-01461	10 - 20	178012-52730	8 - 28
125323-08260	13 - 14	132115-01461	11 - 20	178012-52730	9 - 28
125323-08260	14 - 7-14	145862-40630	5 - 29	178013-52630	8 - 29
125337-08260	12 - 21	145862-40630	6 - 29	178013-52630	9 - 29
125337-08260	13 - 21	145866-42031	5 - 30	178043-42230	8 - 18
125337-08260	14 - 7-21	145866-42031	6 - 30	178043-42230	9 - 18
125338-13930	12 - 15	150112-44330	3 - 8	178090-52631	8 - 27
125338-13930	13 - 15	150112-44330	4 - 8	178090-52632	8 - 27
125338-13930	14 - 7-15	156110-54930	3 - 23	178090-52632	9 - 27
125339-42030	12 - 16	156110-54930	4 - 23	178121-43230	9 - 31
125339-42030	13 - 16	159012-10230	3 - 5	178127-50330	8 - 24
125341-42030	12 - 19	159012-10230	4 - 5	210417-52730	5 - 20
125341-42030	13 - 19	159016-05330	3 - 6	210417-52730	6 - 20
125341-42030	14 - 7-19	159016-05330	4 - 6	300605-22060	8 - 7
125341-42030	14 - 7-19	163401-55631	8 - 12	300605-22060	9 - 7
125342-52130	12 - 18	175000-56830	3 - 1	301000-22060	8 - 26
125342-52130	13 - 18	175000-56830	4 - 1	301000-22060	9 - 26
125344-13931	12 - 1	175000-56831	4 - 1	301200-29430	8 - 10
125344-13931	13 - 1	175005-42030	1 - 36	301200-29430	9 - 10
125344-52130	12 - 17	175005-42030	2 - 36	305110-42030	7 - 19
125344-52130	13 - 17	175014-39130	10 - 7	351213-52130	8 - 19
125381-46730	12 - 27	175014-39130	11 - 7	351213-52130	9 - 19
125381-46730	13 - 27	175014-39131	10 - 7	351311-22060	8 - 3
129011-52730	5 - 16	175053-04920	1 - 32	351311-22060	9 - 3
129011-52730	6 - 16	175053-04920	2 - 32	431610-22160	10 - 41
130010-13410	5 - 9	177200-42033	3 - 12	431610-22160	11 - 41
130010-13410	6 - 9	177200-42033	4 - 12	433014-03931	10 - 48

Index

Patrs Number	Key No.	Patrs Number	Key No.	Patrs Number	Key No.
433014-03931	11 - 48	895410-39131	11 - 46	900242-05025	9 - 16
433016-39131	10 - 47	895610-00130	10 - 45	900242-05028	8 - 21
433016-39131	11 - 47	895610-00130	11 - 45	900242-05028	9 - 21
433019-03933	10 - 3	895612-03430	10 - 45	900242-05035	8 - 15
433019-03933	11 - 3	900031-50100	8 - 8	900242-05035	9 - 15
436012-37830	10 - 37	900031-50100	9 - 8	900253-05016	1 - 29
436012-37830	11 - 37	900038-00100	8 - 4	900253-05016	2 - 29
436205-02832	10 - 19	900038-00100	9 - 4	900500-00005	5 - 6
436205-02832	11 - 19	900053-00200	8 - 9	900500-00005	6 - 6
437002-39130	10 - 10	900053-00200	9 - 9	900500-00005	8 - 14
437002-39130	11 - 10	900105-05055	5 - 35	900500-00005	8 - 22
437015-37330	10 - 15	900105-05055	6 - 35	900500-00005	9 - 14
437015-37330	11 - 15	900109-05010	10 - 18	900500-00005	9 - 22
437016-39130	10 - 17	900109-05010	10 - 50	900600-00005	10 - 23
437016-39130	11 - 17	900109-05010	11 - 18	900600-00005	1 - 23
437019-38330	10 - 12	900109-05010	11 - 50	900600-00005	11 - 23
437019-38330	11 - 12	900109-05025	10 - 1	900600-00005	5 - 36
437024-37330	10 - 13	900109-05025	10 - 34	900600-00005	6 - 36
437024-37330	11 - 13	900109-05025	11 - 1	900603-00005	10 - 49
437029-37330	10 - 16	900109-05025	11 - 34	900603-00005	11 - 49
437029-37330	11 - 16	900151-05025	1 - 21	900603-00005	7 - 14
437062-37330	10 - 14	900151-05025	2 - 21	900605-00005	1 - 22
437062-37330	11 - 14	900162-04020	3 - 3	900701-00012	1 - 33
437063-38330	10 - 27	900162-04020	4 - 3	900701-00012	2 - 33
437063-38330	11 - 27	900162-04020	4 - 19	900702-00032	1 - 35
437244-39130	10 - 9	900162-05022	1 - 6	900702-00032	2 - 35
437244-39130	11 - 9	900162-05022	2 - 6	900706-00012	10 - 24
610013-22060	8 - 6	900162-05025	2 - 21	900706-00012	11 - 24
610013-22060	9 - 6	900162-05028	1 - 19	900814-06201	1 - 34
610217-22060	8 - 5	900162-05028	2 - 19	900814-06201	2 - 34
610217-22060	9 - 5	900163-04016	1 - 24	91107-04008	5 - 37
610272-52130	8 - 20	900163-04016	1 - 31	91107-04008	6 - 37
610272-52130	9 - 20	900163-04016	2 - 24	91109-05016	10 - 33
610609-24661	8 - 2	900163-04016	2 - 31	91109-05016	11 - 33
610609-24661	9 - 2	900163-04016	3 - 19	94035-36201	1 - 16
890115-24660	1 - 27	900163-04020	3 - 19	94035-36201	2 - 16
890115-24660	2 - 27	900220-05065	5 - 17	94042-06001	10 - 25
890118-49130	10 - 4	900220-05065	6 - 17	94042-06001	11 - 25
890118-49130	11 - 4	900238-04012	1 - 26	A011-000101	1 - 3
890118-49130	3 - 20	900238-04012	2 - 26	A011-000101	2 - 3
890118-49130	4 - 20	900238-05010	2 - 38	A021-000740	12 -
890157-39130	8 - 30	900238-05020	5 - 8	A021-000740	5 - 10
890157-39130	9 - 30	900238-05020	6 - 8	A021-001460	13 -
890160-22660	8 - 1	900238-05020	7 - 12	A021-001460	6 - 10
890160-22660	9 - 1	900242-04010	5 - 32	A101-000090	1 - 9
890332-52730	5 - 21	900242-04010	6 - 32	A101-000090	2 - 9
890332-52730	6 - 21	900242-05014	8 - 11	A130-000540	1 - 5
895410-39130	10 - 46	900242-05014	9 - 11	A130-000540	2 - 5
895410-39131	10 - 46	900242-05025	8 - 16	A160-000590	1 - 28

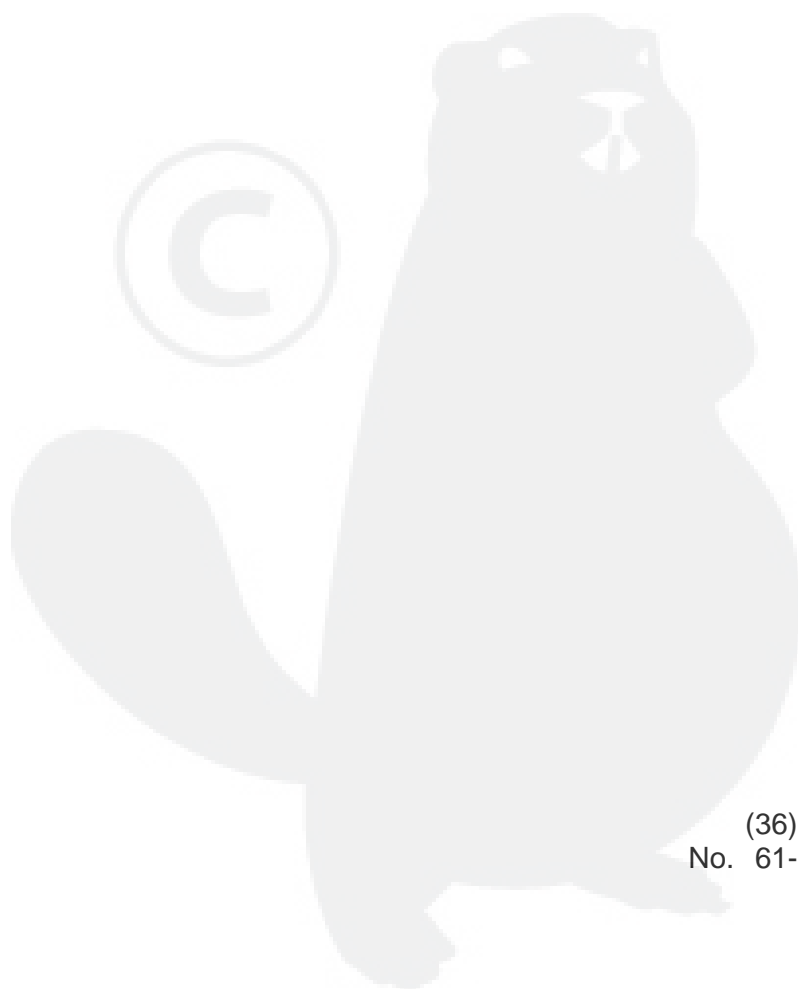
Index

Patrs Number	Key No.	Patrs Number	Key No.	Patrs Number	Key No.
A160-000590	2 - 28	P005-000520	12 - 23	V253-000010	10 - 18
A162-000070	1 - 30	P005-000520	13 - 23	V253-000020	10 - 34
A162-000070	2 - 30	P005-000520	14 - 7-23	V253-000030	10 - 33
A313-000580	5 - 31	P005-000520	14 - 7-23	V354-000010	10 - 30
A313-000580	6 - 31	P005-000550	14 -	V354-000010	11 - 30
A350-000291	7 - 15	P005-000930	12 - 25	V430-000671	8 - 25
A356-000030	7 - 5	P005-000940	12 - 13	V470-000180	10 - 22
A365-000050	10 - 38	P005-000940	13 - 13	V470-000180	11 - 22
A365-000050	11 - 38	P005-000940	14 - 7-13	V471-001190	7 - 11
A409-000210	3 - 2	P005-000950	14 -	V471-001200	7 - 7
A409-000210	4 - 2	P005-001000	12 - 9	V485-000290	3 - 21
A411-000130	3 - 4	P005-001000	13 - 9	V485-000290	4 - 21
A411-000130	4 - 4	P005-001000	14 - 7- 9	V553-000010	1 - 4
A425-000000	3 - 7	P005-001240	12 - 2	V553-000010	2 - 4
A425-000000	4 - 7	P005-001240	13 - 2	V583-000010	10 - 6
C051-000110	10 - 39	P005-001250	12 - 12	V583-000010	11 - 6
C051-000110	11 - 39	P005-001250	13 - 12	V651-000032	10 - 26
C200-000000	10 - 31	P005-001260	12 - 11	V651-000111	10 - 29
C200-000000	11 - 31	P005-001260	13 - 11	V651-000200	10 - 29
C300-000001	10 - 5	P005-001270	12 - 30	V651-000201	11 - 29
C300-000001	11 - 5	P005-001270	13 - 30	V651-000230	10 - 26
C531-000010	10 - 2	P005-001320	12 - 7	V651-000230	11 - 26
C531-000010	11 - 2	P005-001320	13 - 7	X101-000070	10 - 42
C531-000020	10 - 39	P005-001330	12 - 6	X101-000070	11 - 42
C534-000180	10 - 28	P005-001890	13 - 25	X221-000040	11 - 41
C534-000400	11 - 28	P005-002010	13 - 6	X490-000060	10 - 43
C580-000070	10 - 8	P021-000950	10 - 36	X490-000060	11 - 43
C580-000070	11 - 8	P021-000951	10 - 36	X547-000920	2 - 27
P005-000010	12 - 10	P021-000951	11 - 36		
P005-000010	13 - 10	P021-002861	10 - 44		
P005-000010	14 - 7-10	P021-002861	11 - 44		
P005-000100	12 - 4	P021-004480	5 - 14		
P005-000100	13 - 4	P021-004480	6 - 14		
P005-000190	12 - 3	P021-007420	5 - 28		
P005-000190	13 - 3	P021-007420	6 - 28		
P005-000200	12 - 20	P021-007711	1 - 8		
P005-000200	13 - 20	P021-007712	1 - 8		
P005-000200	14 - 7-20	P021-007712	2 - 8		
P005-000200	14 - 7-20	V043-000200	9 - 25		
P005-000250	12 - 28	V100-000160	1 - 7		
P005-000250	13 - 28	V100-000160	2 - 7		
P005-000270	12 - 26	V104-000510	5 - 38		
P005-000270	13 - 26	V104-000510	6 - 38		
P005-000280	12 - 8	V137-000030	7 - 8		
P005-000280	13 - 8	V150-001640	3 - 24		
P005-000510	12 - 22	V150-001640	4 - 24		
P005-000510	13 - 22	V224-000000	10 - 40		
P005-000510	14 - 7-22	V224-000000	11 - 40		
P005-000510	14 - 7-22	V253-000000	10 - 1		

YAMABIKO CORPORATION

7-2 SUEHIROCHO 1-CHOME, OHME, TOKYO 198-8760, JAPAN
PHONE: 81-428-32-6118. FAX: 81-428-32-6145.

ECHO®



(36)
No. 61-055