

DLM-310/35P

Serial Number

U60935000001-U60935999999

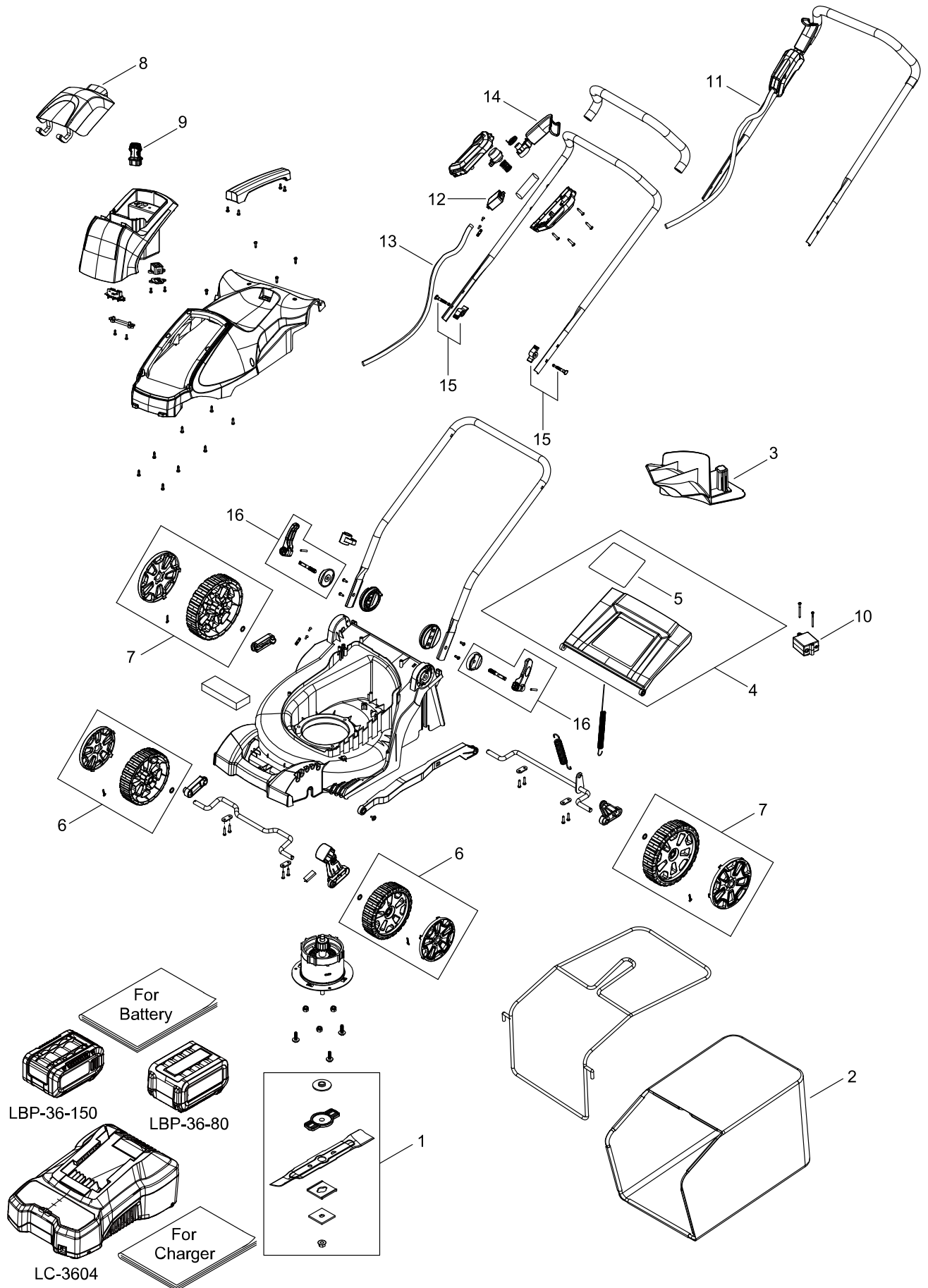
Last updated date

30/Oct/2021

TABLE OF CONTENTS

BODY	1
------------	---

BODY



* Batteries and charger are handled as accessories instead of spare parts.
 Please place an order of batteries and charger at the same time as unit order.

BODY

Key No.	LV (+)	Parts Number	Parts Description	Qty	Standard	Class
1		P022-060890	KIT, BLADE	1		A
2		P022-060920	BAG,DUST	1		D
3		P022-060930	PLAG	1		D
4		P022-060940	DOOR	1		C
5	+	P022-060950	LABEL, CAUTION	1		D
6		P022-060960	WHEEL,FRONT KIT	2		A
7		P022-060970	WHEEL,REAR KIT	2		A
8		P022-060980	COVER	1		C
9		P022-060990	KEY,SWITCH	1		D
10		P022-061000	BOARD,ASM CONTROL	1		D
11		P022-061010	HANDLE,ASY UPPER	1		C
12		P022-061030	SWITCH	1		B
13		P022-061040	HARNESS, WIRE	1		B
14		P022-061050	LEVER	1		C
15		P022-061060	KNOB KIT	2		C
16		P022-061070	CAM LOCK ASY	2		C

Class : Consumable class

A:Fast moving parts B:Semi-fast moving parts C:Slow moving parts D:Order only as needed

NUMERICAL PARTS INDEX

Part No	Part description	Page
P022-060890	KIT, BLADE	2
P022-060920	BAG,DUST	2
P022-060930	PLAG	2
P022-060940	DOOR	2
P022-060950	LABEL, CAUTION	2
P022-060960	WHEEL,FRONT KIT	2
P022-060970	WHEEL,REAR KIT	2
P022-060980	COVER	2
P022-060990	KEY,SWITCH	2
P022-061000	BOARD,ASM CONTROL	2
P022-061010	HANDLE,ASY UPPER	2
P022-061030	SWITCH	2
P022-061040	HARNESS, WIRE	2
P022-061050	LEVER	2
P022-061060	KNOB KIT	2
P022-061070	CAM LOCK ASY	2