



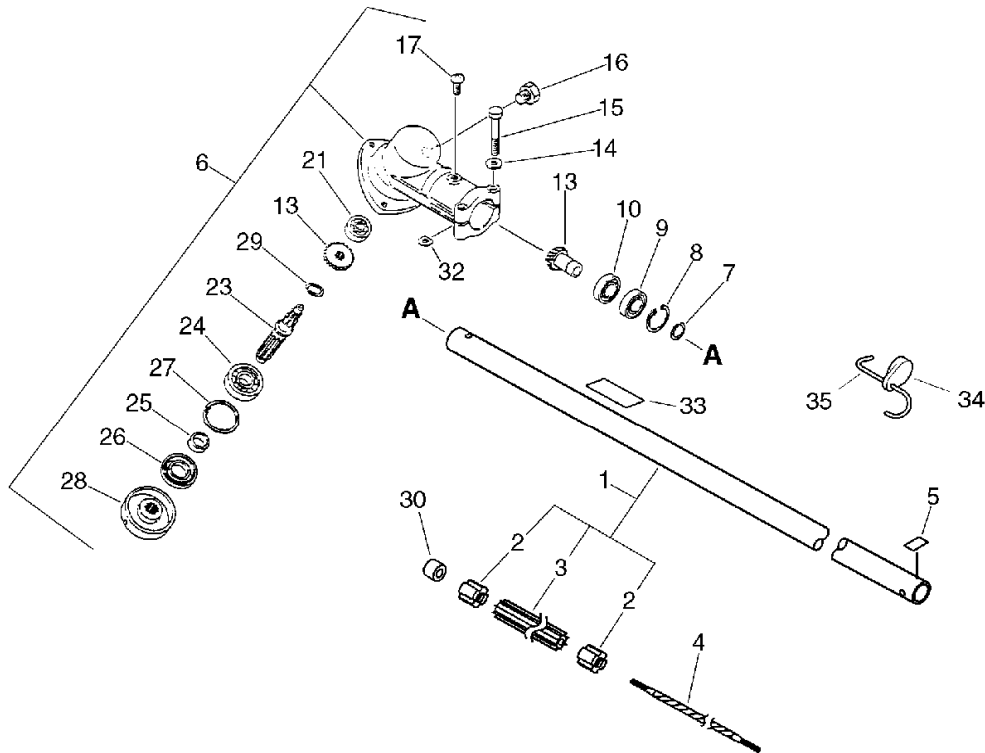
PARTS CATALOG

PAS ATTACHMENT SBSRM-SRM (PAS-Trimmer)

35003753 -

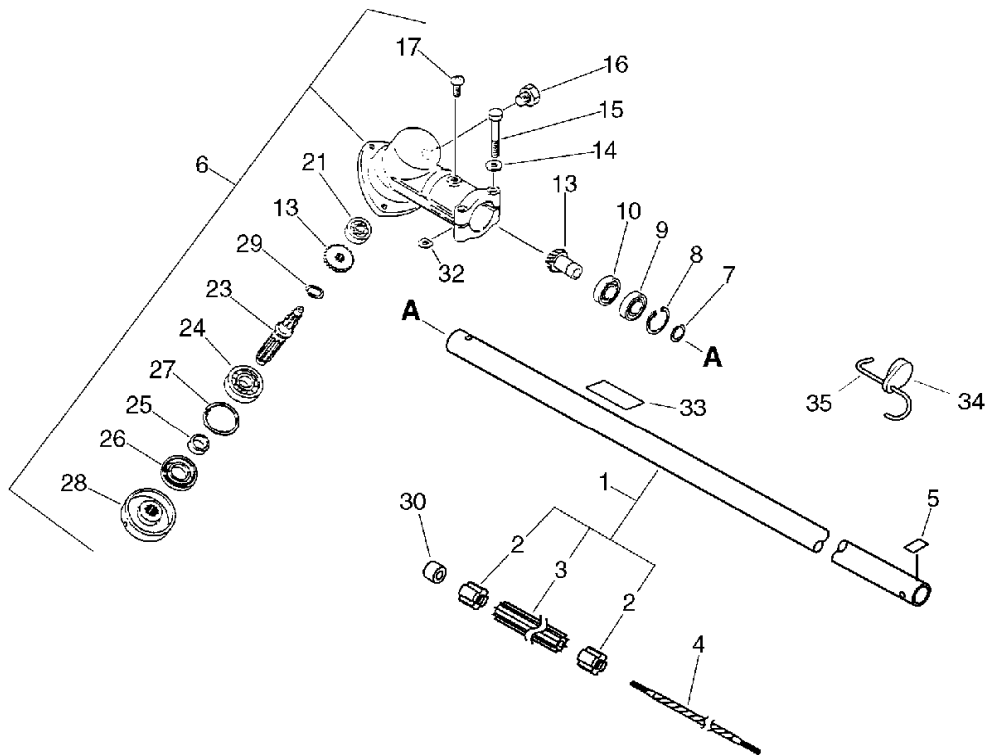
P014-000280-10Hb

1. GEAR CASE



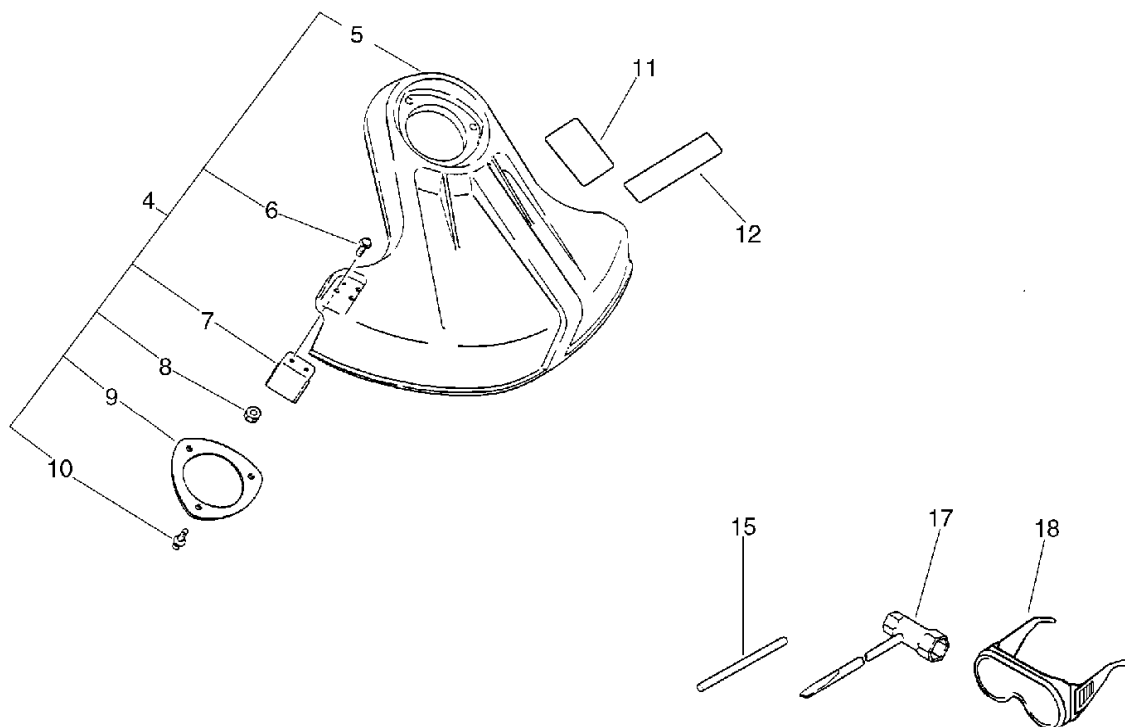
KEY	LV	PART NUMBER	Q'TY	DESCRIPTION	REMARKS	NOTE1	NOTE2
1		C050-000200	1	PIPE,MAIN			
2	+	610246-44730	2	STOPPER			
3	+	610217-52630	1	LINER, FLEXIBLE			
3	+	C507-000240	1	LINER, FLEXIBLE	21.6*643LNG		
4		C506-000002	1	SHAFT,FLEXIBLE			
6		610402-47732	1	CASE ASY, GEAR			
7	+	900706-00012	1	CIRCLIP 12	WR-12		
8	+	900702-00022	1	CIRCLIP 22	CR-22		
9	+	900858-06900	1	BEARING, BALL 6900Z	6900Z		
10	+	900855-06900	1	BEARING, BALL 6900	6900		
13	+	610300-44830	1	GEAR SET			
14	+	900600-00005	2	WASHER 5	5		
15	+	900100-05035	2	BOLT 5*35	5*35		
16	+	610434-50031	1	BOLT 8*8	M8*8		
17	+	900242-05010	1	SCREW 5*10			
20	+	610460-27431	1	HOUSING, GEAR			
21	+	900800-00609	1	BEARING, BALL 609	609		
23	+	610360-08931	1	SHAFT, P.T.O.			
24	+	900810-06201	1	BEARING, BALL 6201	6201		
25	+	610315-07130	1	SPACER			
26	+	610413-07130	1	OILSEAL			
27	+	900702-00032	1	CIRCLIP 32	CR-32		
28	+	610313-47731	1	PLATE, ADAPTER (U)			
29	+	900706-00010	1	CIRCLIP 10	WR-10		
32	+	610239-04130	2	WASHER, SHIM			
33		890617-63630	1	LABEL,CAUTION			

1. GEAR CASE



KEY	LV	PART NUMBER	Q'TY	DESCRIPTION	REMARKS	NOTE1	NOTE2
34		C525-000010	1	CAP,MAIN PIPE	25MM PIPE		
35		C649-000120	1	HOOK			

2. SHIELD



KEY	LV	PART NUMBER	Q'TY	DESCRIPTION	REMARKS	NOTE1	NOTE2
4		699000-40931	1	SHIELD ASSY			
5	+	699010-27231	1	SHIELD, BLADE			
6	+	900238-05016	2	SCREW 5*16	5*16		
7	+	699016-44330	1	CUTTER			
8	+	900500-00005	2	NUT 5	5		
9	+	C552-000110	1	PLATE, SHIELD			
10	+	900238-05016	3	SCREW 5*16	5*16		
11		890186-23760	1	LABEL, CAUTION			
12		X502-000320	1	LABEL, ECHO	61MM X 24MM		
15		X606-000080	1	TOOL, BAR	5*120		

Index

Patrs Number	Key No.	Patrs Number	Key No.	Patrs Number	Key No.
610217-52630	1 - 3				
610239-04130	1 - 32				
610246-44730	1 - 2				
610300-44830	1 - 13				
610313-47731	1 - 28				
610315-07130	1 - 25				
610360-08931	1 - 23				
610402-47732	1 - 6				
610413-07130	1 - 26				
610434-50031	1 - 16				
610460-27431	1 - 20				
699000-40931	2 - 4				
699010-27231	2 - 5				
699016-44330	2 - 7				
890186-23760	2 - 11				
890617-63630	1 - 33				
900100-05035	1 - 15				
900238-05016	2 - 6				
900238-05016	2 - 10				
900242-05010	1 - 17				
900500-00005	2 - 8				
900600-00005	1 - 14				
900702-00022	1 - 8				
900702-00032	1 - 27				
900706-00010	1 - 29				
900706-00012	1 - 7				
900800-00609	1 - 21				
900810-06201	1 - 24				
900855-06900	1 - 10				
900858-06900	1 - 9				
C050-000200	1 - 1				
C506-000002	1 - 4				
C507-000240	1 - 3				
C525-000010	1 - 34				
C552-000110	2 - 9				
C649-000120	1 - 35				
X502-000320	2 - 12				
X606-000080	2 - 15				

YAMABIKO CORPORATION

7-2 SUEHIROCHO 1-CHOME, OHME, TOKYO 198-8760, JAPAN
PHONE: 81-428-32-6118. FAX: 81-428-32-6145.

ECHO®



10Hb
No. 56-133