



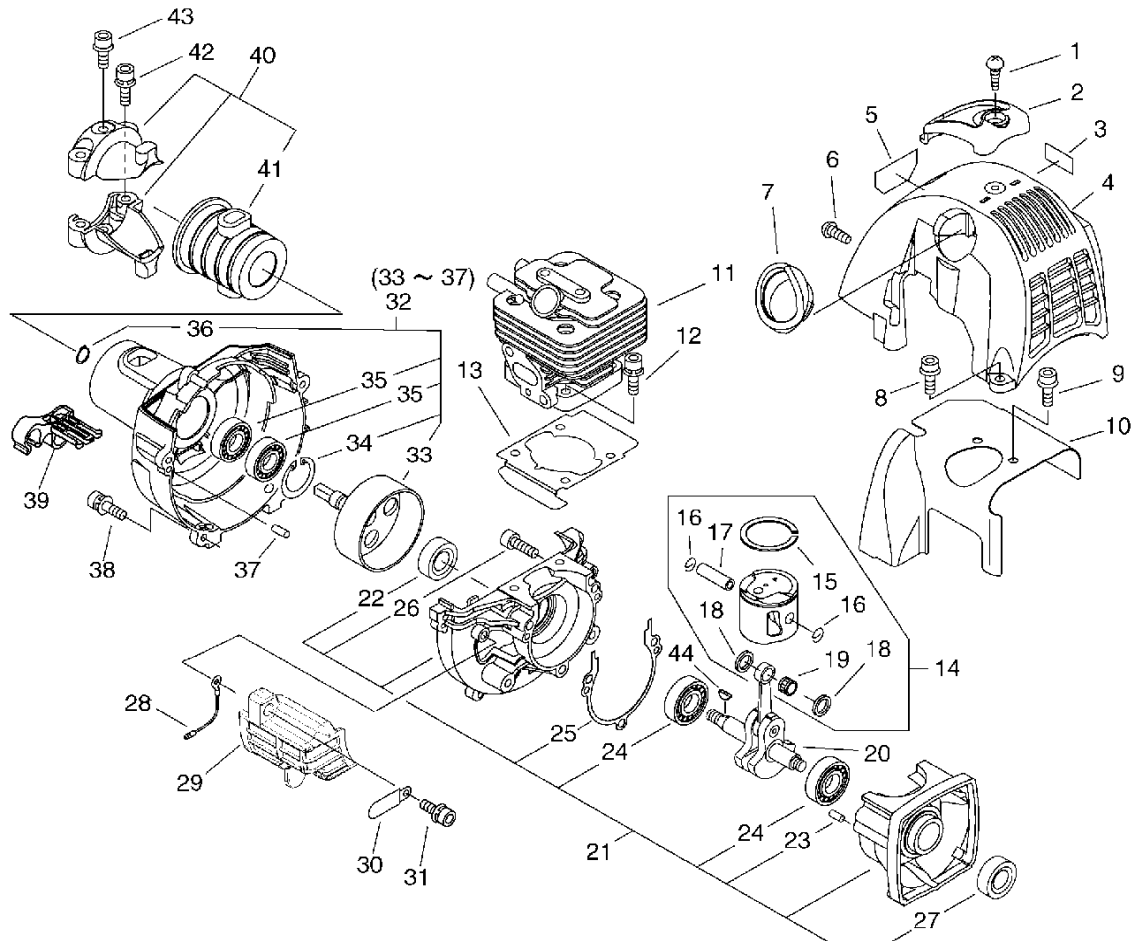
PARTS CATALOG

PAS ATTACHMENT PAS-265ES(37)

37003305 -

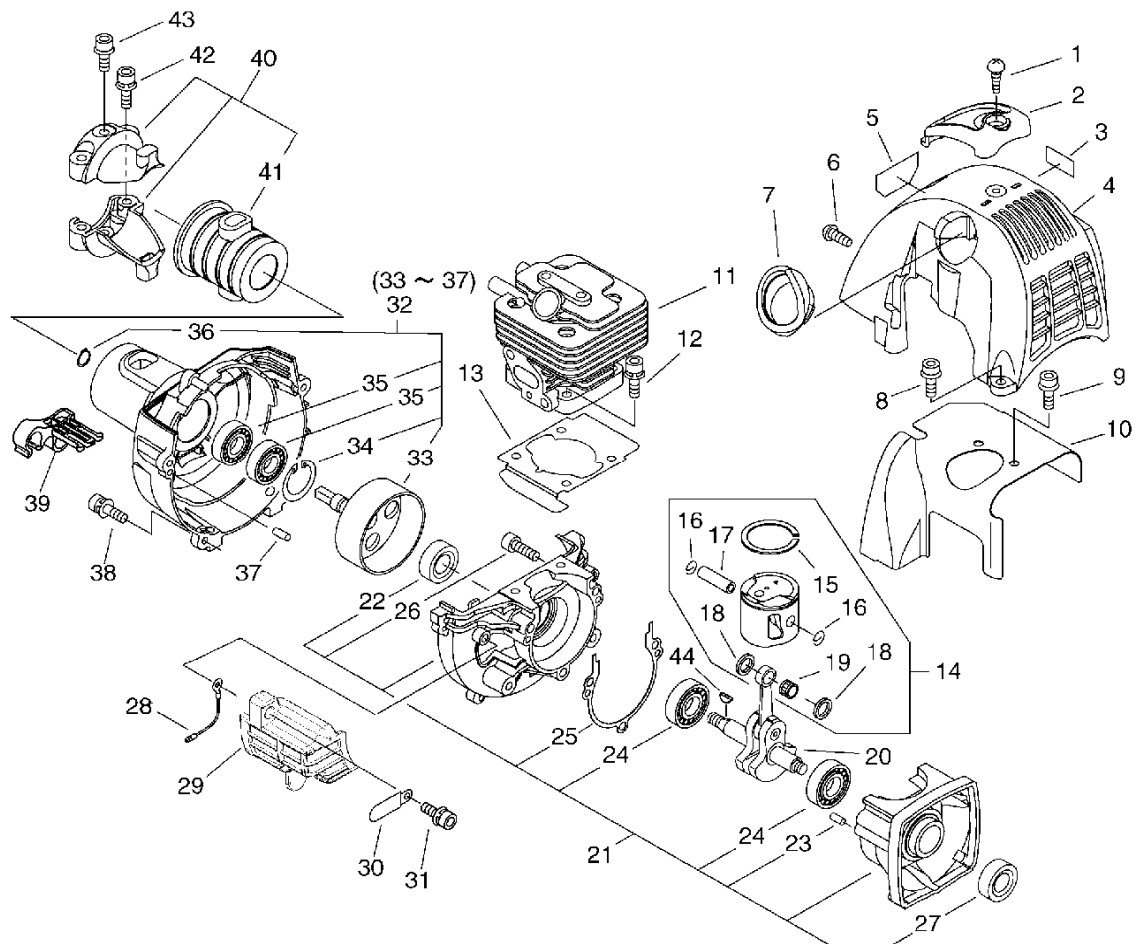
P014-000250-10Gb

1. CYLINDER, CRANKCASE, PISTON



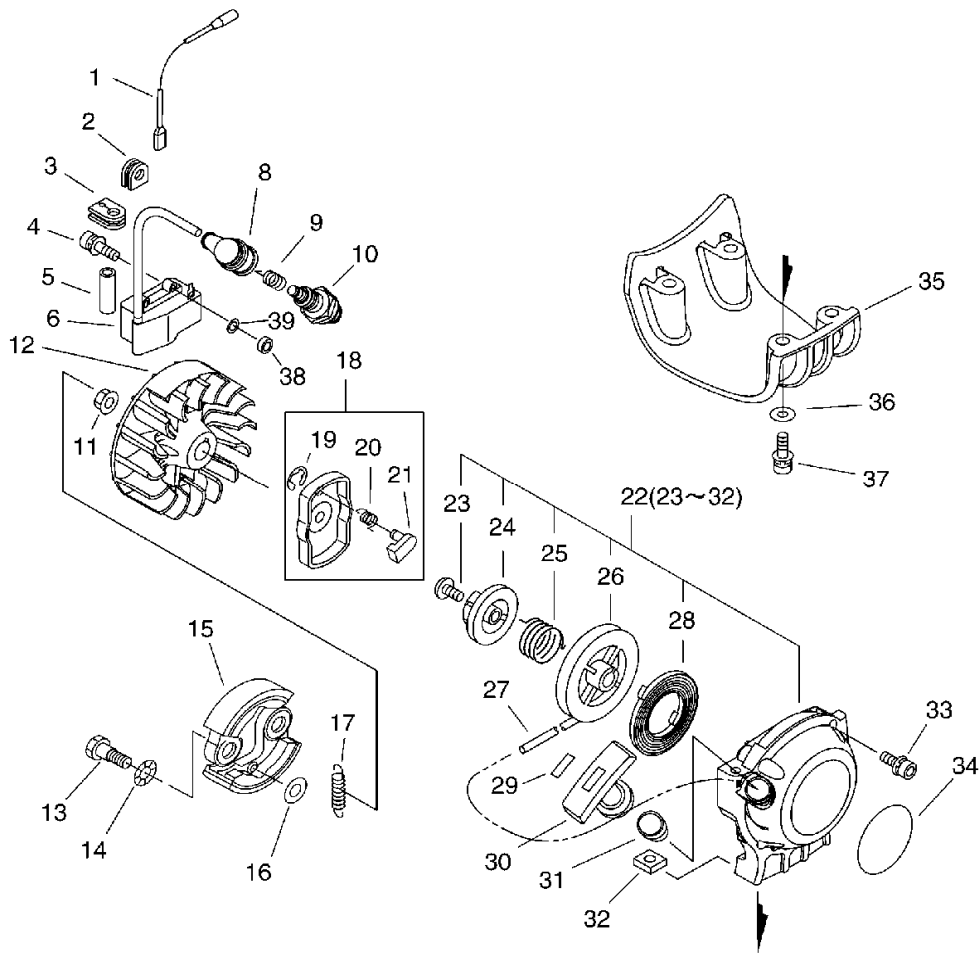
KEY	LV	PART NUMBER	Q'TY	DESCRIPTION	REMARKS	NOTE1	NOTE2
1		900256-05016	1	SCREW, TAPPING	5*16		
2		A162-000100	1	GUARD, TOP			
3		X505-002310	1	LABEL, CAUTION	HOT CAUTION		
4		A160-000780	1	COVER, CYLINDER			
5		X547-000880	1	LABEL, ECHO	ECHO+PAS-265ES		
6		91140-05012	1	BOLT	M5*12		
7		A162-000080	1	GUARD, TOP			
8		900106-05014	1	BOLT, H.S. 5*14	5*14		
9		900106-05008	2	BOLT, H.S. 5*8	5*8		
10		A160-000691	1	COVER, CYLINDER			
11		A130-000761	1	CYLINDER			
12		900162-05025	4	BOLT, H.S. 5*25	5*25 W, SW		
13		V100-000210	1	GASKET, CYL	T0.5 38.1		
14		P021-009771	1	PISTON KIT			
15	+	A101-000170	1	RING, PISTON	34*1.5*1.5		
16	+	100015-03931	2	CIRCLIP, PISTON PIN			
17	+	100013-35430	1	PIN, PISTON	6*9*27.8		
18	+	100014-53630	2	SPACER, PISTON PIN			
19	+	100012-16131	1	BEARING, NEEDLE			
20		A011-000434	1	CRANKSHAFT, ASY			
21		P021-010801	1	CRANKCASE KIT			
22	+	100212-42031	1	OILSEAL	ISCD 12*22*4.5		
23	+	100215-03930	2	PIN, DOWEL			
24	+	94035-36201	2	BEARING BALL	6201X3JR2C3		

1. CYLINDER, CRANKCASE, PISTON



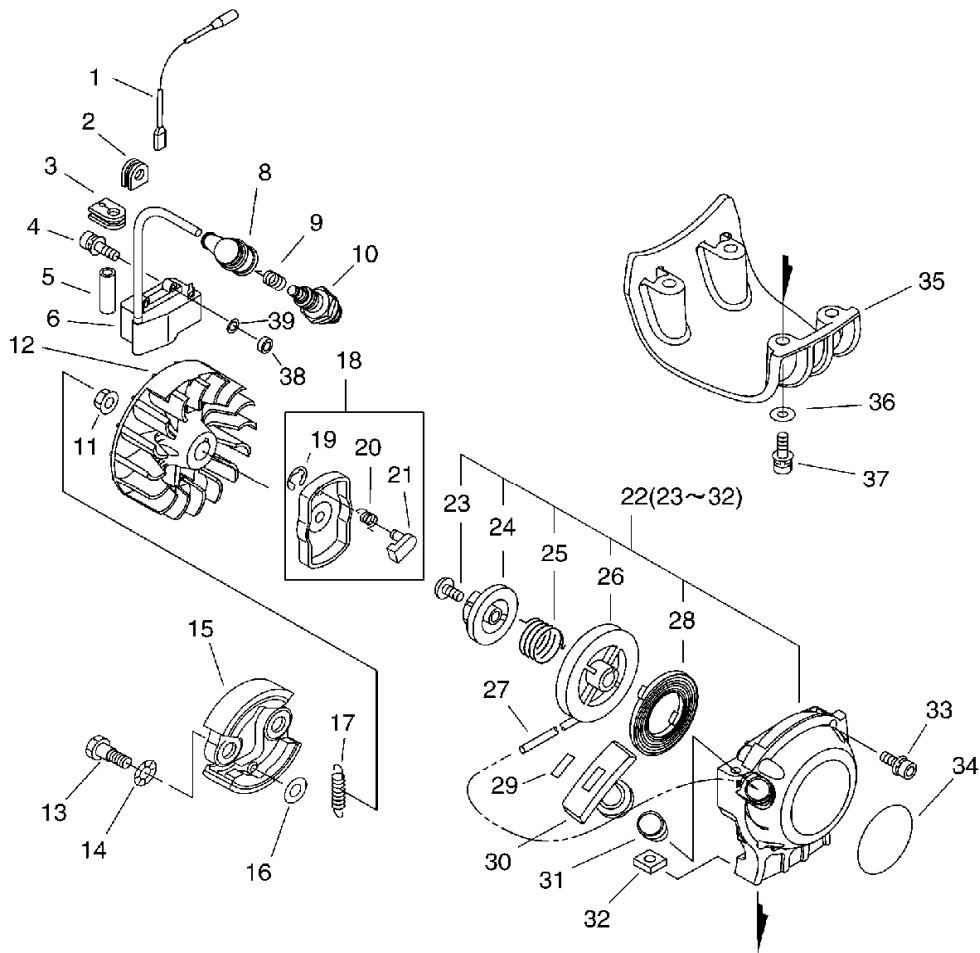
KEY	LV	PART NUMBER	Q'TY	DESCRIPTION	REMARKS	NOTE1	NOTE2
25	+	100242-42030	1	GASKET, CRANKCASE			
26	+	900162-05028	3	BOLT, H.S. 5*28	5*28 W,SW		
27	+	V505-000050	1	SEAL,OIL 12			
28		156635-43130	1	LEAD, GROUND			
29		A127-000160	1	COVER,DUST			
30		159116-21231	1	CLAMP			
31		900162-05016	1	BOLT, H.S. 5*16	5*16 W,SW		
32		P021-009790	1	COVER ASY, FAN			
33	+	A556-000390	1	DRUM, CLUTCH			
34	+	900702-00028	1	CIRCLIP 28	CR-28		
35	+	900807-06001	2	BEARING, BALL 6001	6001V(LB)		
36	+	900701-00012	1	CIRCLIP 12	CS-12		
37	+	V622-000020	2	PIN,STRAIGHT 4	4*7.8		
38		900163-04016	4	BOLT HSH			
39		V491-000180	1	CLIP			
40		P021-009380	1	FIXTURE,MAIN PIPE			
41	+	V420-001081	1	CUSHION			
42		900162-05025	2	BOLT, H.S. 5*25	5*25 W,SW		
43		900105-05012	1	BOLT, H.S. 5*12	5*12		
44		100142-12330	1	KEY, WOODRUFF			

2. STARTER, MAGNETO



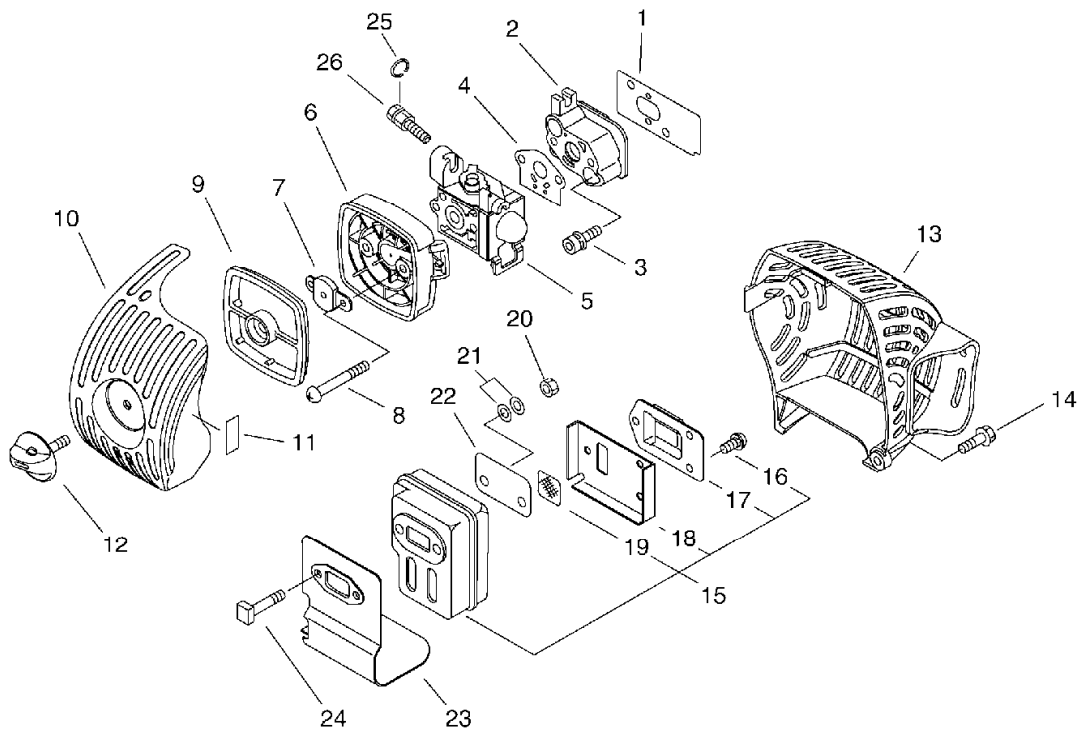
KEY	LV	PART NUMBER	Q'TY	DESCRIPTION	REMARKS	NOTE1	NOTE2
1		162010-04561	1	LEAD, GROUND	210L		
2		156110-04920	1	BUSHING			
3		V135-000030	1	GROMMET, HT CORD			
4		V202-000130	2	BOLT, 4	CBF-4*20		
5		V475-003380	1	TUBE			
6		A411-000250	1	COIL, IGNITION	ID#C10048		
6		A411-000251	1	COIL, IGNITION	ID#C10048		
8		A427-000013	1	CAP, SPARK PLUG			
9		A426-000010	1	TERMINAL, SPARKPLUG			
10		A425-000000	1	SPARKPLUG	BPMR8Y		
11		900515-00008	1	NUT, FLANGE 8	8		
12		A409-000310	1	ROTOR, MAGNETO	ID:C10744G		
13		175046-56030	2	SHAFT, CLUTCH			
14		175049-56030	2	WASHER	8.5*16*0.5		
15		A553-000010	2	ARM, CLUTCH			
16		175048-05530	2	WASHER (I)	6.2*19*1.0		
17		V451-000400	1	SPRING, TENSION			
18		A052-000180	1	PULLEY, ASM STARTER			
19	+	P022-002100	2	E-RING	4		
20	+	P022-006510	2	SPRING, RETURN			
21	+	P022-006850	2	PAWL, STARTER			
22		A051-000940	1	STARTER, RECOIL ASY			
22		A051-000940	1	STARTER, RECOIL ASY			
23	+	177236-61830	1	SCREW			
24	+	P022-008280	1	PLATE, CAM			
25	+	P022-008270	1	SPRING, DAMPER			

2. STARTER, MAGNETO



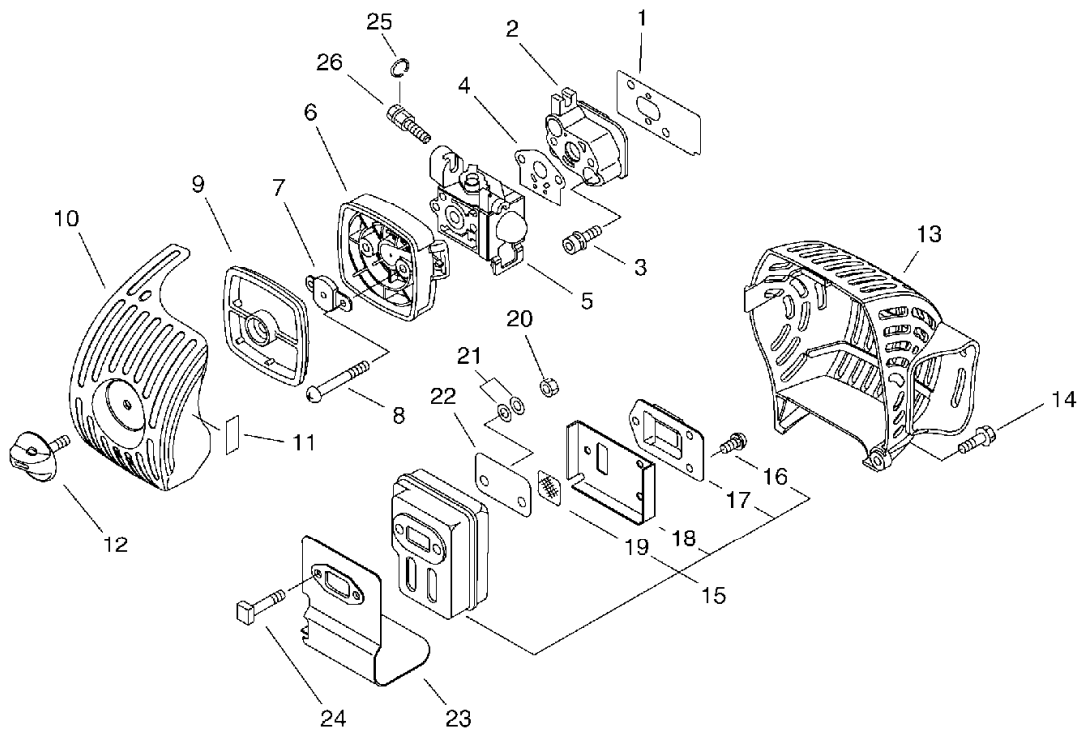
KEY	LV	PART NUMBER	Q'TY	DESCRIPTION	REMARKS	NOTE1	NOTE2
26	+	P022-006830	1	DRUM			
27	+	P022-008260	1	ROPE	3M/M		
28	+	177220-42030	1	SPRING, REWIND			
29	+	177246-11120	1	CLIP, STARTER ROPE			
30	+	177228-27030	1	GRIP, STARTER			
31	+	177227-42030	1	GUIDE, ROPE			
32	+	900565-00005	1	NUT	5		
33		900163-04016	4	BOLT HSH			
34		X502-000330	1	LABEL,ECHO	ECHO		
35		A175-000030	1	STAND			
36		900603-00005	4	WASHER 5	5.5*12*0.8		
37		900162-05025	4	BOLT, H.S. 5*25	5*25 W,SW		
38		V322-000031	2	WASHER,CIRCULAR 4			
39		900603-00004	2	WASHER 4	4.5*10*0.8		

3. AIR CLEANER, CARBURETOR, MUFFLER



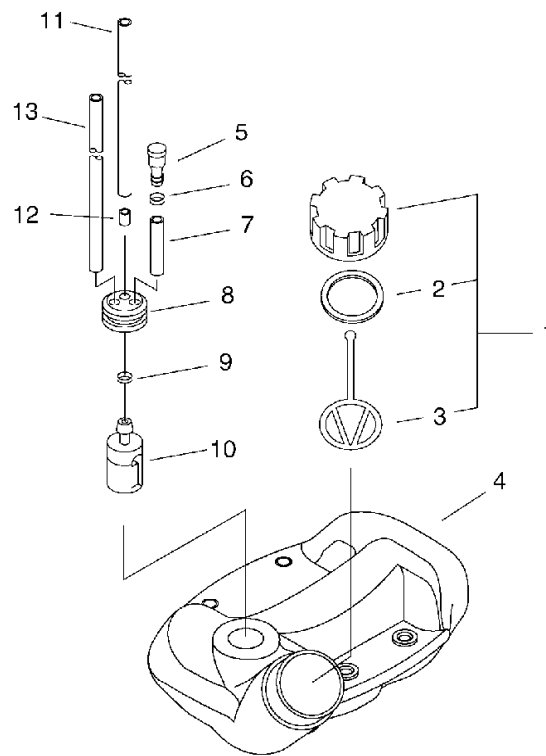
KEY	LV	PART NUMBER	Q'TY	DESCRIPTION	REMARKS	NOTE1	NOTE2
1		V103-000210	1	GASKET,INTAKE			
2		A200-000200	1	INSULATOR,INTAKE			
3		900162-05025	2	BOLT, H.S. 5*25	5*25 W,SW		
4		V103-000270	1	GASKET,INTAKE	T1.5-11		
5		A021-001530	1	CARBURETOR,DIAPHRAGM	RB-K		
6		P021-004480	1	CASE, AIR CLEANER			
7		129011-52730	1	PLATE, PREVENT			
8		900242-05065	2	SCREW 5*65	5*65		
9		130310-54130	1	FILTER, AIR			
9		A226-001410	1	ELEMENT,AIR FILTER			
10		A232-000330	1	LID,CLEANER			
11		890332-52730	1	LABEL, CHOKE			
12		V299-000250	1	KNOB,FASTENER			
13		A320-000341	1	COVER,MUFFLER			
14		900106-05014	1	BOLT, H.S. 5*14	5*14		
15		P021-011580	1	MUFFLER ASY			
16	+	91367-04010	3	SCREW	4*10/SW(SUS)		
17	+	A313-000830	1	GUIDE, EXHAUST	ID#1330		
18	+	V104-000790	1	GASKET,EXHAUST			
19	+	145862-40630	1	SCREEN, MUFFLER			
20		900500-00005	2	NUT 5	5		
21		92280-05000	2	WASHER, NORD-LOCK	NL5 5.4*9*1.8		
22		V150-001760	1	PLATE,EYE			
23		V104-000780	1	GASKET,EXHAUST			
24		V203-000120	2	BOLT,5	L=60		

3. AIR CLEANER, CARBURETOR, MUFFLER



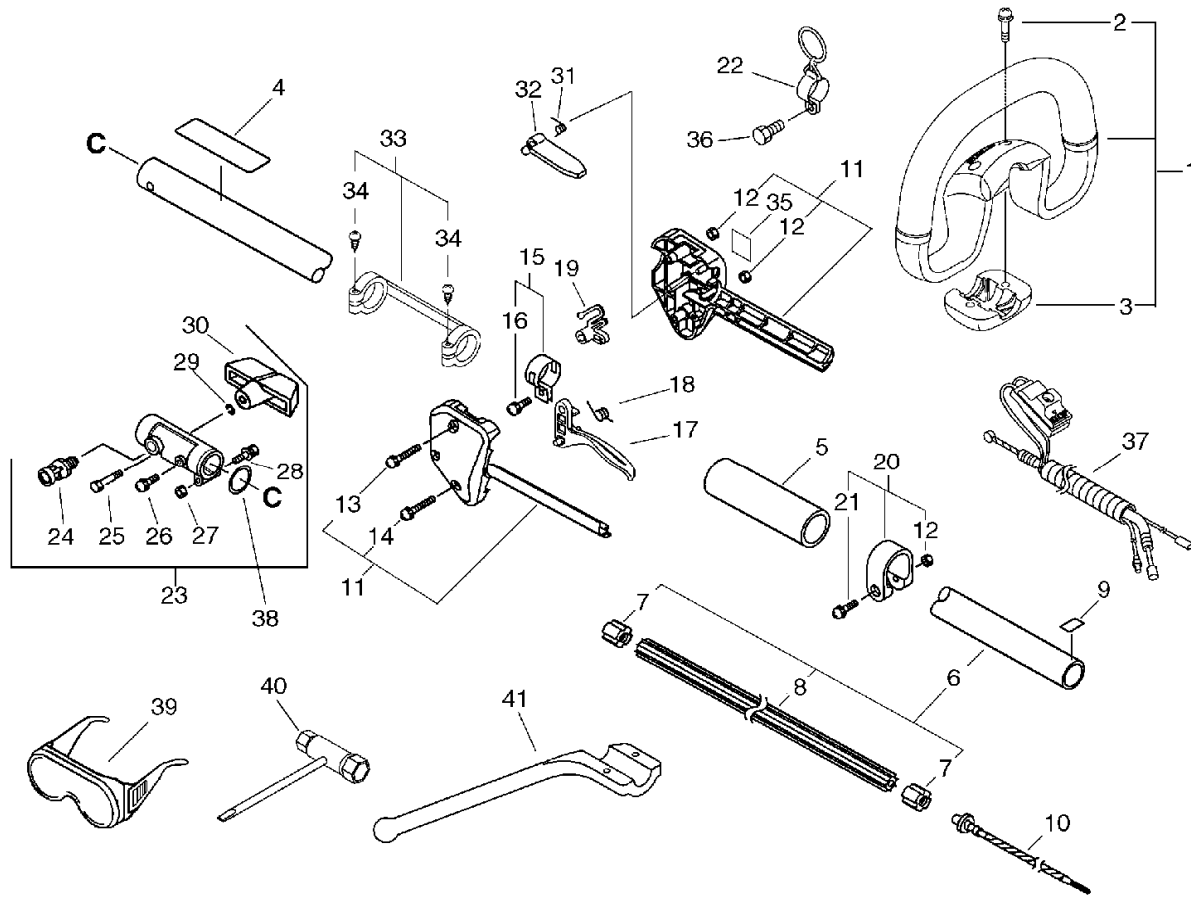
KEY	LV	PART NUMBER	Q'TY	DESCRIPTION	REMARKS	NOTE1	NOTE2
25		100015-00120	1	CIRCLIP, PISTON PIN			
26		C486-000000	1	CABLE, ADJUSTER			

4. FUEL TANK



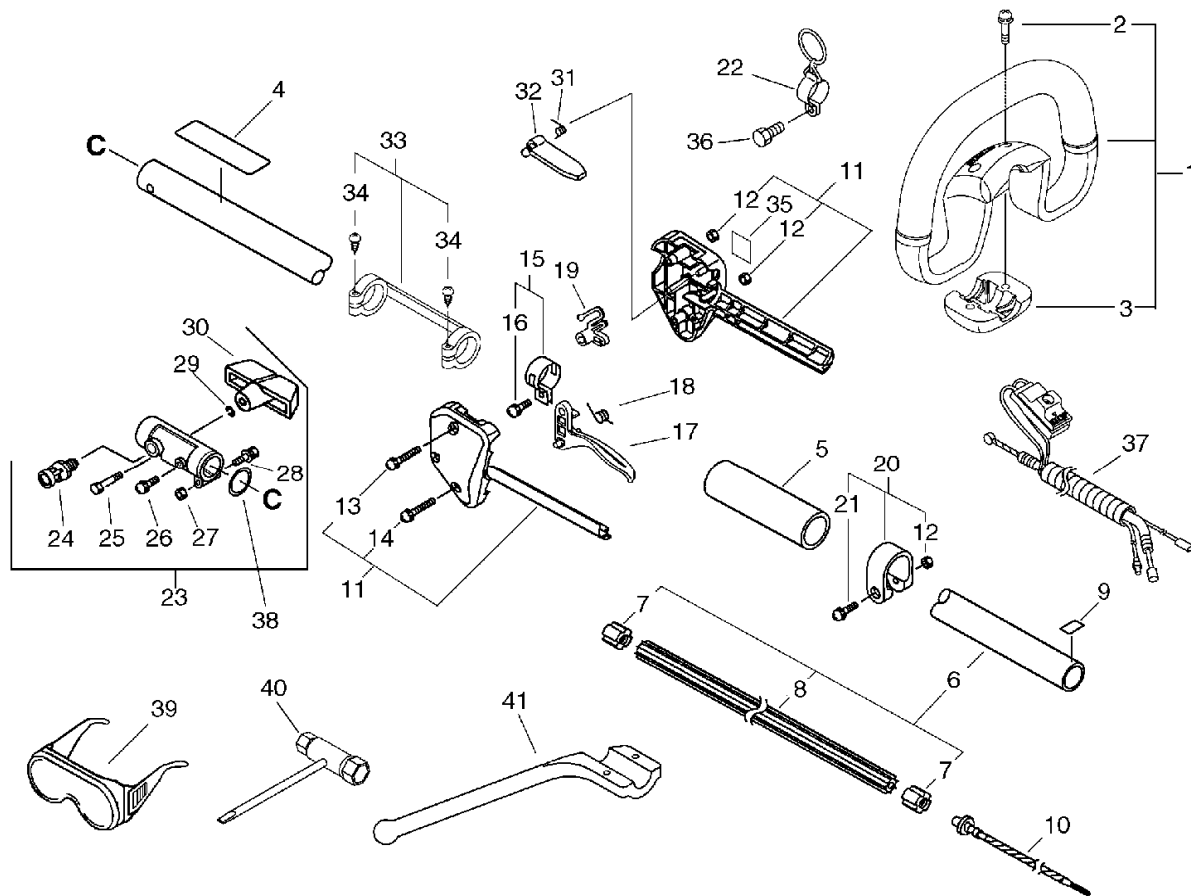
KEY	LV	PART NUMBER	Q'TY	DESCRIPTION	REMARKS	NOTE1	NOTE2
1		131004-55530	1	CAP ASSY, FUEL TANK			
2	+	131016-55830	1	GASKET, FUEL CAP			
3	+	131051-56030	1	CLIP, FUEL CAP	100L		
4		A350-000600	1	TANK, FUEL	WEM SRM-265		
5		A356-000030	1	VALVE, CHECK			
6		132013-26630	1	CLIP	6.5MM		
7		V471-001180	1	PIPE	3*6*35 NBR		
8		132115-55930	1	GROMMET, FUEL			
9		132013-09820	1	CLIP	6MM		
10		A369-000000	1	STRAINER, FUEL	125-528		
11		V470-000580	1	PIPE	3*5*195		
13		132010-40830	1	PIPE 3*6*75	3*6*75 YL		

5. HANDLE



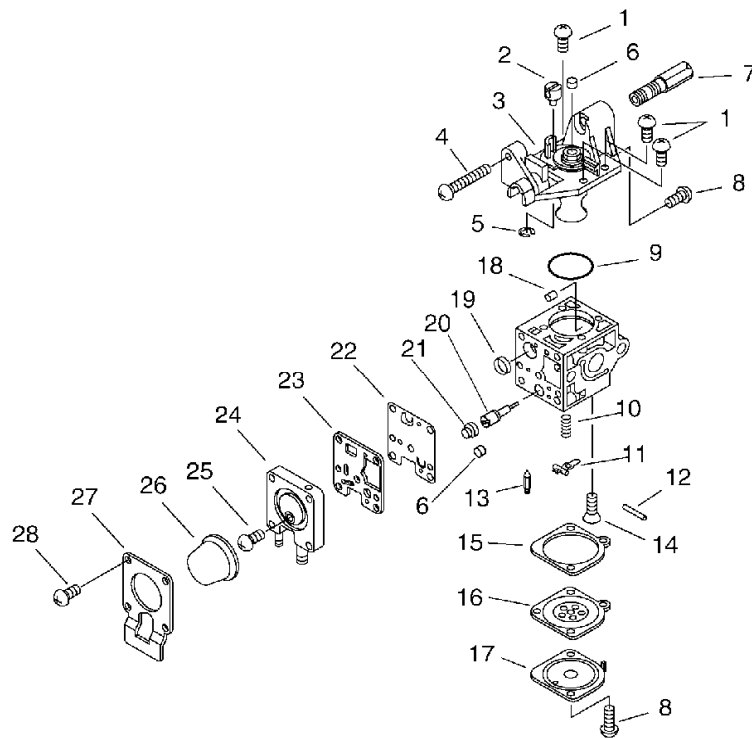
KEY	LV	PART NUMBER	Q'TY	DESCRIPTION	REMARKS	NOTE1	NOTE2
1		P021-008322	1	FRONT HANDLE ASY			
2	+	900242-05040	2	SCREW 5*40	5*40		
3	+	C423-000190	1	FIXTURE, HANDLE			
4		890617-07660	1	LABEL, CAUTION			
5		351213-52130	1	GRIP			
6		C050-000750	1	PIPE, MAIN	25*L=756		
7	+	610246-44730	2	STOPPER			
8	+	C507-000230	1	LINER, FLEXIBLE	21.6*658LNG		
9		890152-04930	1	LABEL, CAUTION			
10		C506-000042	1	SHAFT, FLEXIBLE			
11		178003-52130	1	BRACKET SET, THROTTLE			
35	+	890157-39130	1	LABEL, SWITCH			
12	+	900500-00005	2	NUT 5	5		
13	+	900242-05035	1	SCREW 5*35	5*35		
14	+	900242-05025	1	SCREW 5*25	5*25		
15		301200-29430	1	BAND ASSY			
16	+	900242-05014	1	SCREW 5*14			
17		178010-52130	1	CONTROL, THROTTLE			
18		178043-42230	1	SPRING, THR. RETURN			
19		178012-52730	1	LOCKOUT, THROTTLE			
20		610272-52130	1	BAND			
12	+	900500-00005	1	NUT 5	5		
21	+	900242-05028	1	SCREW 5*28	5*28		
22		C646-000060	1	RING, HARNESS	3-PIECE ASM		
23		C510-000180	1	COUPLING, MAIN PIPE	FINAL COUPLING		

5. HANDLE



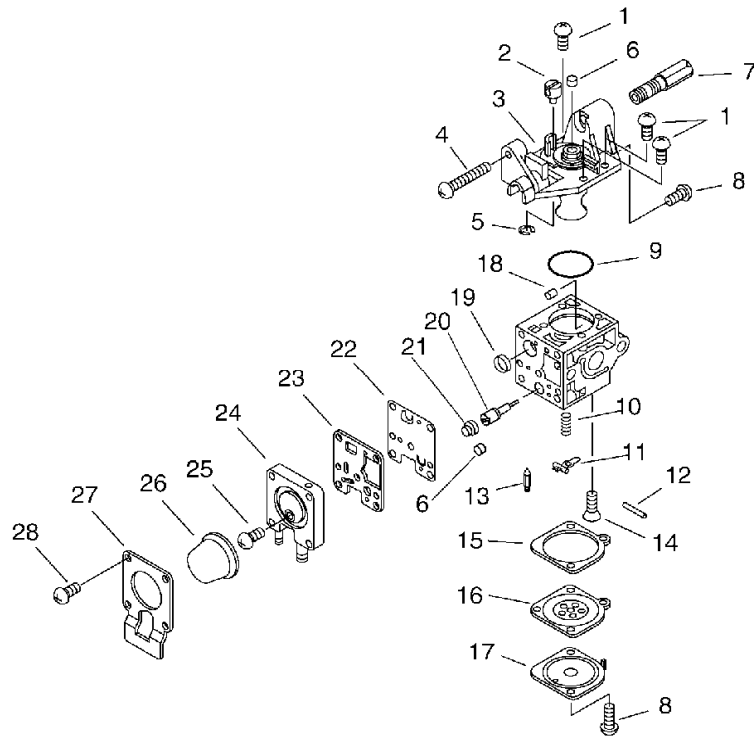
KEY	LV	PART NUMBER	Q'TY	DESCRIPTION	REMARKS	NOTE1	NOTE2
24	+	178302-56630	1	LATCH ASSY			
25	+	91085-06040	1	BOLT	6*40		
26	+	V805-000130	1	BOLT, TORX 5	TB-5*10 10.9		
27	+	900514-00006	1	NUT 6	6		
28	+	V806-000020	1	BOLT, TORX 6	TB-6*25 10.9		
29	+	V304-000040	1	WASHER,CIRCULAR 6	6.6*20*1.6		
30	+	V299-000160	1	KNOB,FASTENER	M6*1.0 INSERT		
38	+	V312-000010	1	WASHER,CIRCULAR 18	18*21.85*.203		
31		178013-52630	1	SPRING, THR. LOCK			
32		178090-52632	1	LOCKOUT, T. CONTROL			
33		610281-54131	1	COLLER			
34	+	900253-04025	2	SCREW 4*25	4*25		
36		900100-05012	1	BOLT 5*12	5*12		
37		V043-000151	1	CABLE ASY, CONTROL			
39		X690-000050	1	GOGGLE	GOGGLE + NOTE		
40		895410-39131	1	WRENCH, W/S-DRIVER			
41		C405-000170	1	BRACKET,HANDLE	BARRIER BAR		

6. CARBURETOR



KEY	LV	PART NUMBER	Q'TY	DESCRIPTION	REMARKS	NOTE1	NOTE2
		A021-001530	1	CARBURETOR,DIAPHRAGM	RB-K		
1	+	125344-13931	3	SCREW			
2	+	P005-001240	1	POST			
3	+	P005-001980	1	COVER ASY, ROTOR			
4	+	P005-000100	1	SCREW,THROTTLEADJUST			
5	+	P005-000190	1	E-RING			
6	+	P005-001270	2	PLUG, H AJUST SCREW			
7	+	P005-002010	1	SCREW, WIRW ADJUST			
8	+	125344-52130	3	SCREW			
9	+	P005-000280	1	O-RING			
10	+	125322-07260	1	SPRING, COIL			
11	+	125323-08260	1	ARM, VALVE			
12	+	125338-13930	1	PIN, METERING ARM			
13	+	125337-08260	1	VALVE, INLET NEEDLE			
14	+	125339-42030	1	SCREW			
15	+	P005-000200	1	GASKET, METERING			
16	+	P005-001780	1	DIAPHRAGM			
17	+	125342-52130	1	COVER, DIAPHRAGM			
18	+	P005-001000	1	ROLLER, GUIDE			
19	+	P005-000010	1	STRAINER			
20	+	P005-001290	1	SCREW,MAINN MIXTURE			
21	+	P005-001250	1	RETAINER,PLUG BALL			
22	+	P005-000510	1	DIAPHRAGM, PUMP			
23	+	P005-000520	1	GASKET, PUMP			
24	+	P005-001890	1	BASE, ASY PRIMER			
25	+	P005-000270	1	SCREW			

6. CARBURETOR



KEY	LV	PART NUMBER	Q'TY	DESCRIPTION	REMARKS	NOTE1	NOTE2
26	+	125381-46730	1	PUMP, PRIMING			
27	+	P005-000250	1	RETAINER			
28	+	P005-001900	4	SCREW			

7. DIAPHRAGM/GASKET KIT

KEY	LV	PART NUMBER	Q'TY	DESCRIPTION	REMARKS	NOTE1	NOTE2
		P005-001660	1	DIAPHRAGM/GASKET KIT			
1	+	P005-001780	1	DIAPHRAGM			
2	+	P005-000200	1	GASKET, METERING			
3	+	P005-000510	1	DIAPHRAGM, PUMP			
4	+	P005-000520	1	GASKET, PUMP			

8. REBUILD KIT

KEY	LV	PART NUMBER	Q'TY	DESCRIPTION	REMARKS	NOTE1	NOTE2
		P005-001990	1	REBUILD KIT			
1	+	125322-07260	1	SPRING, COIL			
2	+	125323-08260	1	ARM, VALVE			
3	+	125338-13930	1	PIN, METERING ARM			
4	+	125337-08260	1	VALVE, INLET NEEDLE			
5	+	P005-000200	1	GASKET, METERING			
6	+	P005-001780	1	DIAPHRAGM			
7	+	P005-001000	1	ROLLER, GUIDE			
8	+	P005-000010	1	STRAINER			
9	+	P005-000510	1	DIAPHRAGM, PUMP			
10	+	P005-000520	1	GASKET, PUMP			

Index

Patrs Number	Key No.	Patrs Number	Key No.	Patrs Number	Key No.
100012-16131	1 - 19	178090-52632	5 - 32	A011-000434	1 - 20
100013-35430	1 - 17	178302-56630	5 - 24	A021-001530	3 - 5
100014-53630	1 - 18	301200-29430	5 - 15	A021-001530	6 -
100015-00120	3 - 25	351213-52130	5 - 5	A051-000940	2 - 22
100015-03931	1 - 16	610246-44730	5 - 7	A051-000940	2 - 22
100142-12330	1 - 44	610272-52130	5 - 20	A052-000180	2 - 18
100212-42031	1 - 22	610281-54131	5 - 33	A101-000170	1 - 15
100215-03930	1 - 23	890152-04930	5 - 9	A127-000160	1 - 29
100242-42030	1 - 25	890157-39130	5 - 35	A130-000761	1 - 11
125322-07260	6 - 10	890332-52730	3 - 11	A160-000691	1 - 10
125322-07260	8 - 1	890617-07660	5 - 4	A160-000780	1 - 4
125323-08260	6 - 11	895410-39131	5 - 40	A162-000080	1 - 7
125323-08260	8 - 2	900100-05012	5 - 36	A162-000100	1 - 2
125337-08260	6 - 13	900105-05012	1 - 43	A175-000030	2 - 35
125337-08260	8 - 4	900106-05008	1 - 9	A200-000200	3 - 2
125338-13930	6 - 12	900106-05014	1 - 8	A226-001410	3 - 9
125338-13930	8 - 3	900106-05014	3 - 14	A232-000330	3 - 10
125339-42030	6 - 14	900162-05016	1 - 31	A313-000830	3 - 17
125342-52130	6 - 17	900162-05025	1 - 12	A320-000341	3 - 13
125344-13931	6 - 1	900162-05025	1 - 42	A350-000600	4 - 4
125344-52130	6 - 8	900162-05025	2 - 37	A356-000030	4 - 5
125381-46730	6 - 26	900162-05025	3 - 3	A369-000000	4 - 10
129011-52730	3 - 7	900162-05028	1 - 26	A409-000310	2 - 12
130310-54130	3 - 9	900163-04016	1 - 38	A411-000250	2 - 6
131004-55530	4 - 1	900163-04016	2 - 33	A411-000251	2 - 6
131016-55830	4 - 2	900242-05014	5 - 16	A425-000000	2 - 10
131051-56030	4 - 3	900242-05025	5 - 14	A426-000010	2 - 9
132010-40830	4 - 13	900242-05028	5 - 21	A427-000013	2 - 8
132013-09820	4 - 9	900242-05035	5 - 13	A553-000010	2 - 15
132013-26630	4 - 6	900242-05040	5 - 2	A556-000390	1 - 33
132115-55930	4 - 8	900242-05065	3 - 8	C050-000750	5 - 6
145862-40630	3 - 19	900253-04025	5 - 34	C405-000170	5 - 41
156110-04920	2 - 2	900256-05016	1 - 1	C423-000190	5 - 3
156635-43130	1 - 28	900500-00005	3 - 20	C486-000000	3 - 26
159116-21231	1 - 30	900500-00005	5 - 12	C506-000042	5 - 10
162010-04561	2 - 1	900500-00005	5 - 12	C507-000230	5 - 8
175046-56030	2 - 13	900514-00006	5 - 27	C510-000180	5 - 23
175048-05530	2 - 16	900515-00008	2 - 11	C646-000060	5 - 22
175049-56030	2 - 14	900565-00005	2 - 32	P005-000010	6 - 19
177220-42030	2 - 28	900603-00004	2 - 39	P005-000010	8 - 8
177227-42030	2 - 31	900603-00005	2 - 36	P005-000100	6 - 4
177228-27030	2 - 30	900701-00012	1 - 36	P005-000190	6 - 5
177236-61830	2 - 23	900702-00028	1 - 34	P005-000200	6 - 15
177246-11120	2 - 29	900807-06001	1 - 35	P005-000200	7 - 2
178003-52130	5 - 11	91085-06040	5 - 25	P005-000200	8 - 5
178010-52130	5 - 17	91140-05012	1 - 6	P005-000250	6 - 27
178012-52730	5 - 19	91367-04010	3 - 16	P005-000270	6 - 25
178013-52630	5 - 31	92280-05000	3 - 21	P005-000280	6 - 9
178043-42230	5 - 18	94035-36201	1 - 24	P005-000510	6 - 22

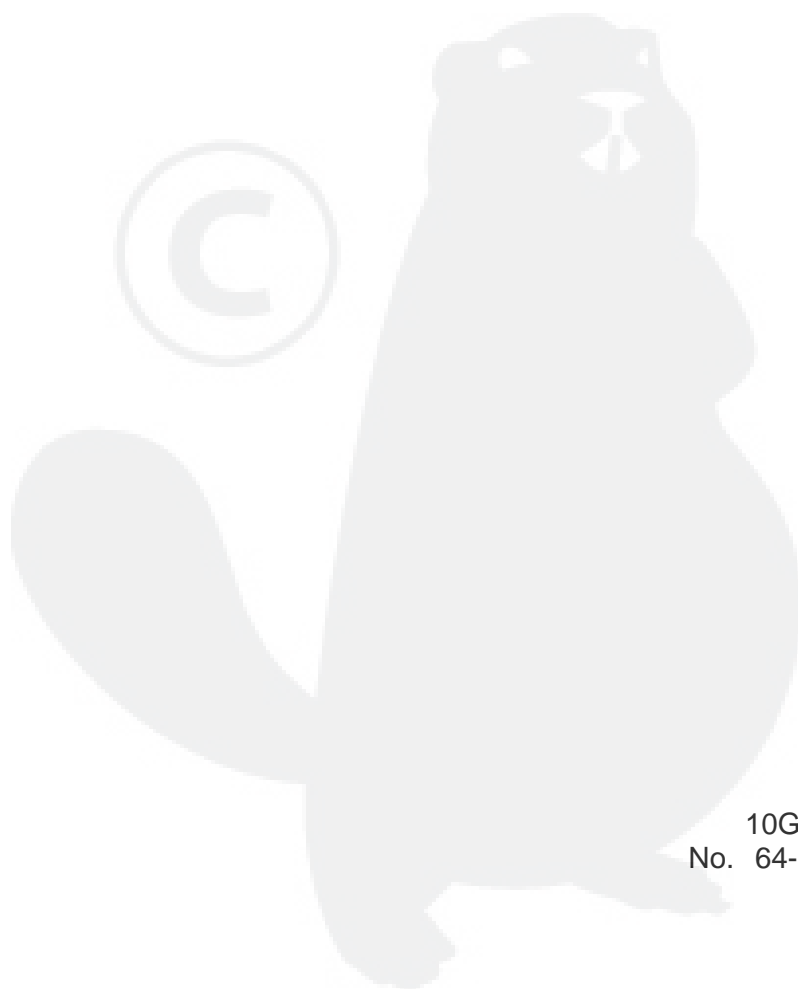
Index

Patrs Number	Key No.	Patrs Number	Key No.	Patrs Number	Key No.
P005-000510	7 - 3	V420-001081	1 - 41		
P005-000510	8 - 9	V451-000400	2 - 17		
P005-000520	6 - 23	V470-000580	4 - 11		
P005-000520	7 - 4	V471-001180	4 - 7		
P005-000520	8 - 10	V475-003380	2 - 5		
P005-001000	6 - 18	V491-000180	1 - 39		
P005-001000	8 - 7	V505-000050	1 - 27		
P005-001240	6 - 2	V622-000020	1 - 37		
P005-001250	6 - 21	V805-000130	5 - 26		
P005-001270	6 - 6	V806-000020	5 - 28		
P005-001290	6 - 20	X502-000330	2 - 34		
P005-001660	7 -	X505-002310	1 - 3		
P005-001780	6 - 16	X547-000880	1 - 5		
P005-001780	7 - 1	X690-000050	5 - 39		
P005-001780	8 - 6				
P005-001890	6 - 24				
P005-001900	6 - 28				
P005-001980	6 - 3				
P005-001990	8 -				
P005-002010	6 - 7				
P021-004480	3 - 6				
P021-008322	5 - 1				
P021-009380	1 - 40				
P021-009771	1 - 14				
P021-009790	1 - 32				
P021-010801	1 - 21				
P021-011580	3 - 15				
P022-002100	2 - 19				
P022-006510	2 - 20				
P022-006830	2 - 26				
P022-006850	2 - 21				
P022-008260	2 - 27				
P022-008270	2 - 25				
P022-008280	2 - 24				
V043-000151	5 - 37				
V100-000210	1 - 13				
V103-000210	3 - 1				
V103-000270	3 - 4				
V104-000780	3 - 23				
V104-000790	3 - 18				
V135-000030	2 - 3				
V150-001760	3 - 22				
V202-000130	2 - 4				
V203-000120	3 - 24				
V299-000160	5 - 30				
V299-000250	3 - 12				
V304-000040	5 - 29				
V312-000010	5 - 38				
V322-000031	2 - 38				

YAMABIKO CORPORATION

7-2 SUEHIROCHO 1-CHOME, OHME, TOKYO 198-8760, JAPAN
PHONE: 81-428-32-6118. FAX: 81-428-32-6145.

ECHO[®]



10Gb
No. 64-132