



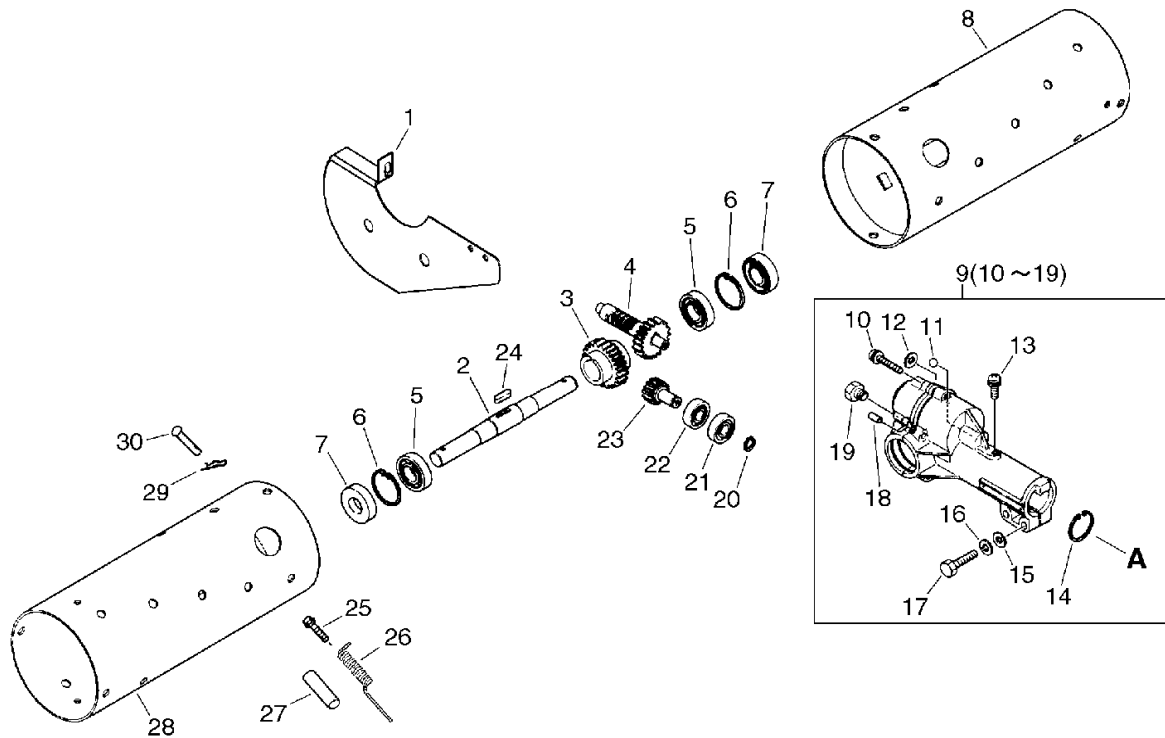
PARTS CATALOG

PAS ATTACHMENT PAS-PT(PAS-ProThatch)



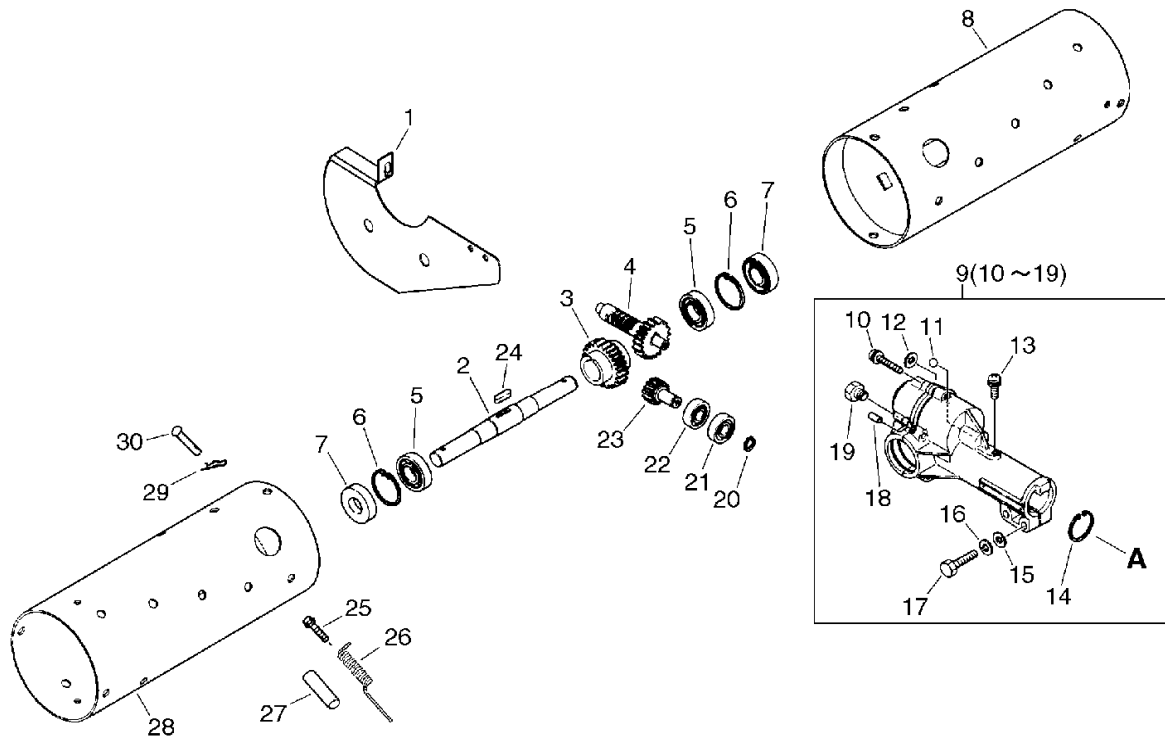
P014-000290-10Hb

1. GEAR CASE



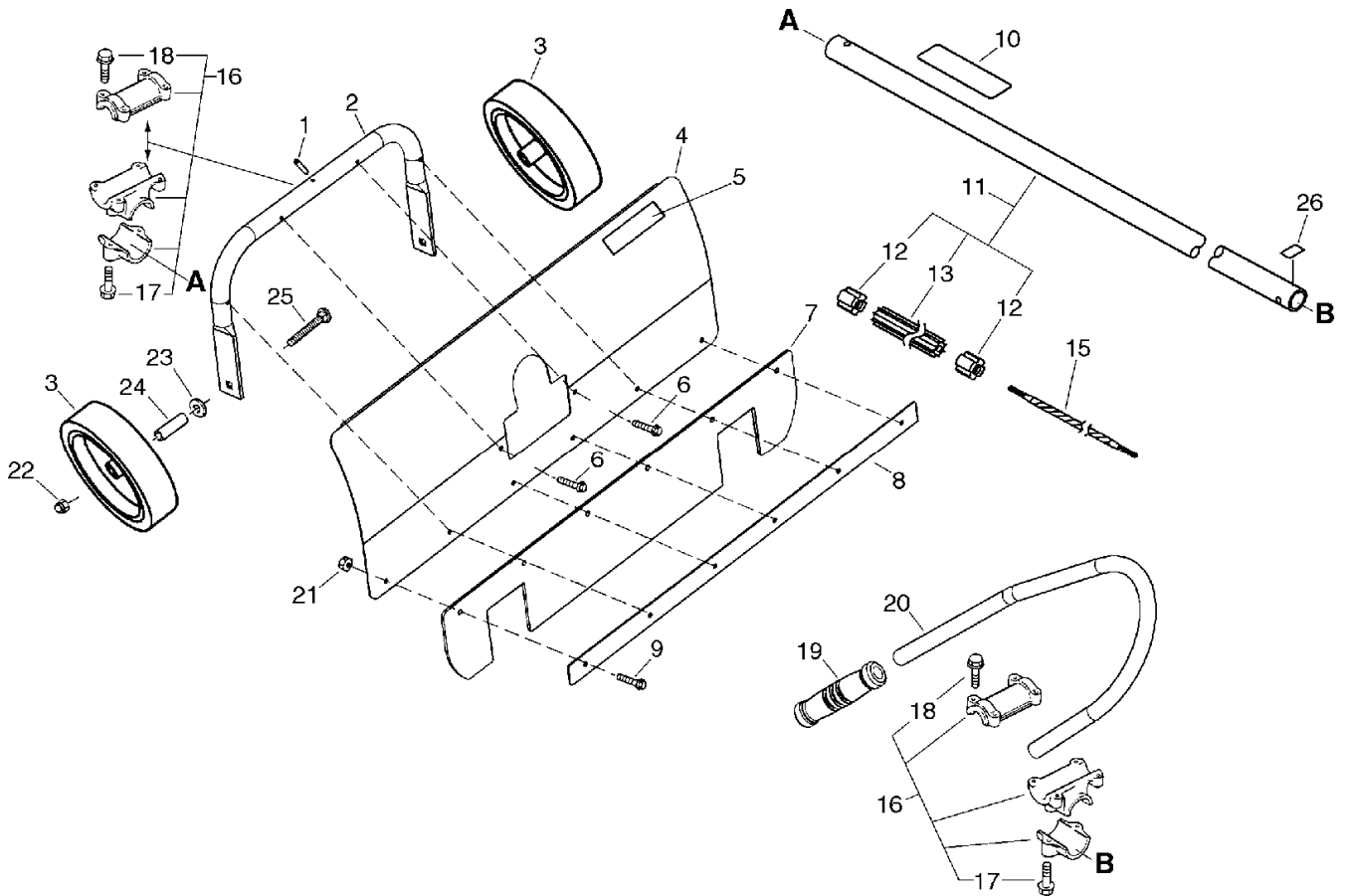
KEY	LV	PART NUMBER	Q'TY	DESCRIPTION	REMARKS	NOTE1	NOTE2
		601400-24960	1	CASE,GEAR			
1		694113-25561	1	GUIDE,GRASS	FOOT THATCHER		
2		605314-25560	1	SHAFT, WORM WHEEL			
3		605315-11050	1	WHEEL, WORM			
4		605313-11050	1	GEAR, WORM			
5		900855-06903	2	BEARING, BALL 6903	6903		
6		900702-00030	2	CIRCLIP 30	CR-30		
7		605416-11050	2	OILSEAL			
8		696334-25660	1	HUB,REEL			
9		605401-12050	1	CASE, GEAR			
10	+	900242-04025	5	SCREW 4*25	4*25		
11	+	900731-01004	1	BALL, STEEL 1/4	1/4		
12	+	605324-11050	1	WASHER			
13	+	900242-05014	1	SCREW 5*14			
14	+	900702-00025	1	CIRCLIP 25	CR-25		
15	+	900600-00006	2	WASHER 6	6		
16	+	900605-00006	2	WASHER, SPRING 6	6		
17	+	900100-06025	2	BOLT 6*25	6*25		
18	+	605430-11050	2	PIN, DOWEL			
19	+	900100-08008	1	BOLT 8*8	8*8		
20		900706-00009	1	CIRCLIP 9	WR-9		
21		900803-00609	1	BEARING, BALL 609	609Z		
22		900800-00609	1	BEARING, BALL 609	609		
23		605310-11050	1	GEAR, DRIVE			
24		900325-04015	1	KEY, FEATHER 4*15	4*15		

1. GEAR CASE



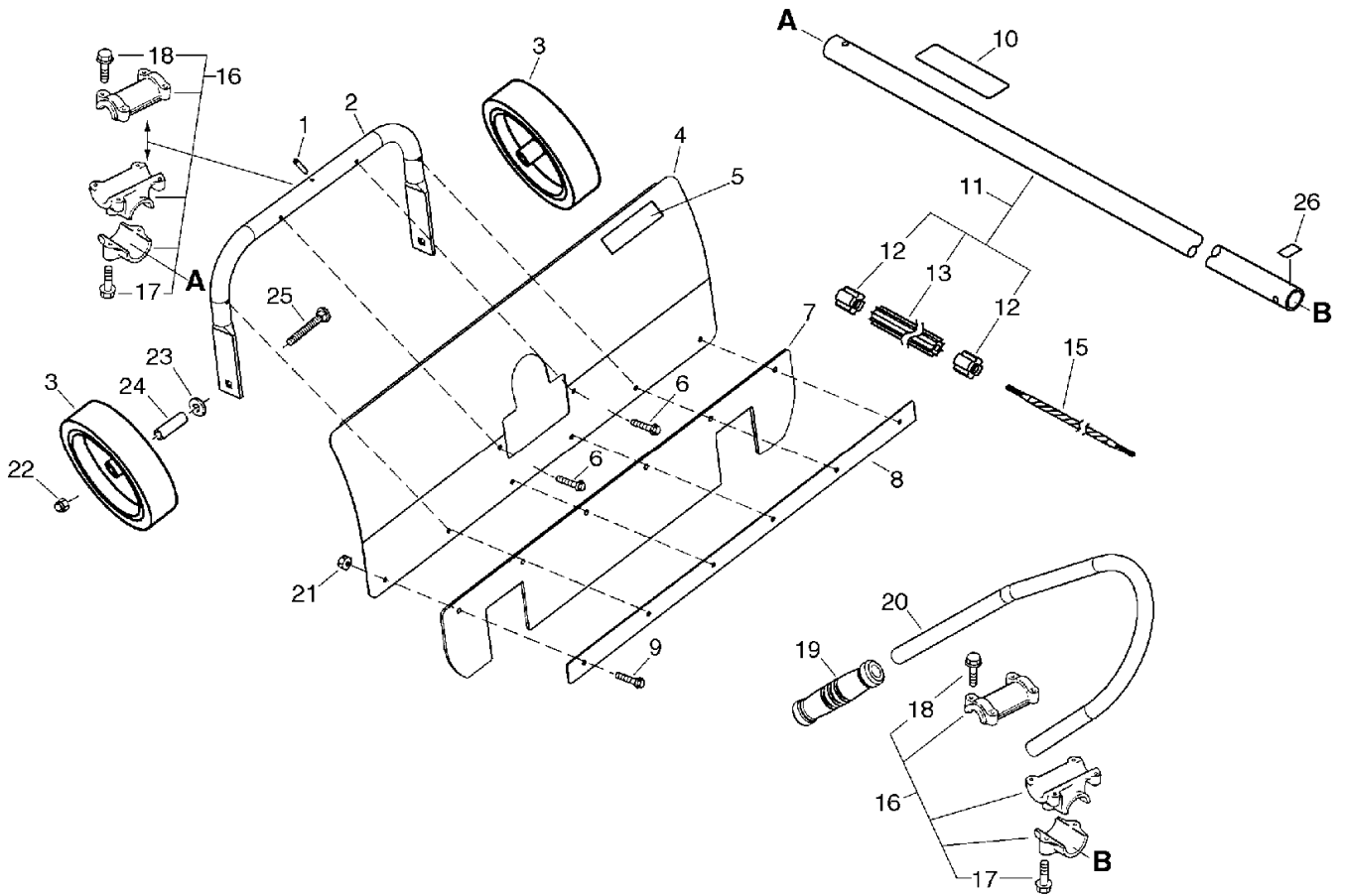
KEY	LV	PART NUMBER	Q'TY	DESCRIPTION	REMARKS	NOTE1	NOTE2
25		889953-25560	44	SCREW,6			
26		610047-25560	44	SPRING,TORSION			
27		210013-25560	44	PIPE, FLEXIBLE			
28		696335-25560	1	HUB,REEL			
29		605612-11050	2	CLIP, PIN			
30		605611-11050	2	PIN			

2. HANDLE, MAIN PIPE



KEY	LV	PART NUMBER	Q'TY	DESCRIPTION	REMARKS	NOTE1	NOTE2
1		889960-22660	1	PIN, STRAIGHT			
2		605105-25560	1	BRACKET,FRONT AXLE			
3		C730-000030	2	WHEEL	GRAY HUB		
4		302130-25560	1	FENDER			
5		890118-04262	1	LABEL, ECHO	194*44		
6		900238-05016	4	SCREW 5*16	5*16		
7		699010-25560	1	SHIELD,BLADE			
8		699013-25560	1	PLATE, SHIELD			
9		900263-05012	4	SCREW TAPPING			
10		890160-25560	1	LABEL, CAUTION			
11		C050-000160	1	PIPE,MAIN			
12	+	610246-44730	2	STOPPER			
13	+	610217-52630	1	LINER, FLEXIBLE			
13	+	C507-000240	1	LINER, FLEXIBLE	21.6*643LNG		
15		C506-000002	1	SHAFT,FLEXIBLE			
16		P021-000460	1	FIXTURE,ASY HANDLE			
17	+	900142-06030	2	BOLT 6*30 (W/W,SW)	6*30		
17	+	900142-06030	2	BOLT 6*30 (W/W,SW)	6*30		
18	+	900162-05025	4	BOLT, H.S. 5*25	5*25 W,SW		
18	+	900162-05025	4	BOLT, H.S. 5*25	5*25 W,SW		
19		351311-02330	1	GRIP, HANDLE			
20		351214-25560	1	HANDLE,FRONT			
21		900560-00005	4	NUT, LOCK 5	5		
22		900031-00200	2	LOCKNUT			
23		900600-00008	2	WASHER 8	8		
24		302424-52630	2	COLLAR, 12			

2. HANDLE, MAIN PIPE



KEY	LV	PART NUMBER	Q'TY	DESCRIPTION	REMARKS	NOTE1	NOTE2
25		610250-55330	2	BOLT			
26		890152-04930	1	LABEL, CAUTION			

Index

Patrs Number	Key No.	Patrs Number	Key No.	Patrs Number	Key No.
210013-25560	1 - 27	900706-00009	1 - 20		
302130-25560	2 - 4	900731-01004	1 - 11		
302424-52630	2 - 24	900800-00609	1 - 22		
351214-25560	2 - 20	900803-00609	1 - 21		
351311-02330	2 - 19	900855-06903	1 - 5		
601400-24960	1 -	C050-000160	2 - 11		
605105-25560	2 - 2	C506-000002	2 - 15		
605310-11050	1 - 23	C507-000240	2 - 13		
605313-11050	1 - 4	C730-000030	2 - 3		
605314-25560	1 - 2	P021-000460	2 - 16		
605315-11050	1 - 3				
605324-11050	1 - 12				
605401-12050	1 - 9				
605416-11050	1 - 7				
605430-11050	1 - 18				
605611-11050	1 - 30				
605612-11050	1 - 29				
610047-25560	1 - 26				
610217-52630	2 - 13				
610246-44730	2 - 12				
610250-55330	2 - 25				
694113-25561	1 - 1				
696334-25660	1 - 8				
696335-25560	1 - 28				
699010-25560	2 - 7				
699013-25560	2 - 8				
889953-25560	1 - 25				
889960-22660	2 - 1				
890118-04262	2 - 5				
890152-04930	2 - 26				
890160-25560	2 - 10				
900031-00200	2 - 22				
900100-06025	1 - 17				
900100-08008	1 - 19				
900142-06030	2 - 17				
900142-06030	2 - 17				
900162-05025	2 - 18				
900162-05025	2 - 18				
900238-05016	2 - 6				
900242-04025	1 - 10				
900242-05014	1 - 13				
900263-05012	2 - 9				
900325-04015	1 - 24				
900560-00005	2 - 21				
900600-00006	1 - 15				
900600-00008	2 - 23				
900605-00006	1 - 16				
900702-00025	1 - 14				
900702-00030	1 - 6				

YAMABIKO CORPORATION

7-2 SUEHIROCHO 1-CHOME, OHME, TOKYO 198-8760, JAPAN
PHONE: 81-428-32-6118. FAX: 81-428-32-6145.

ECHO®



10Hb
No. 56-133