

HCA-265ES-HD

Serial Number

38000001-38999999

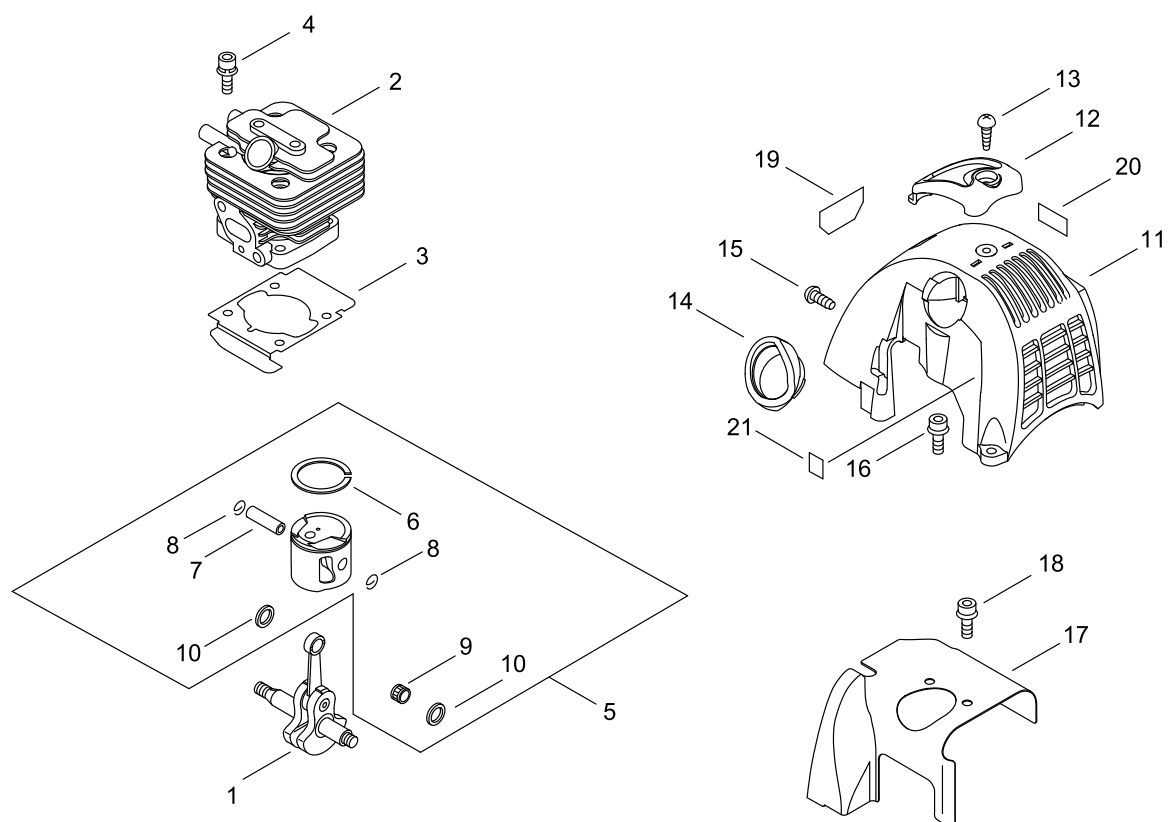
Last updated date

17/Feb/2022

TABLE OF CONTENTS

CYLINDER, PISTON, CRANKSHAFT	1
CRANKCASE	3
MAGNETO.....	5
CLUTCH.....	7
AIR CLEANER, CARBURETOR.....	9
CARBURETOR.....	11
FUEL TANK	13
MUFFLER.....	15
RECOIL STARTER, PULLY	17
GEAR CASE	19
CUTTING BLADE	23
MAIN PIPE	25
THROTTLE.....	27
ACCESSORIES	29

CYLINDER, PISTON, CRANKSHAFT



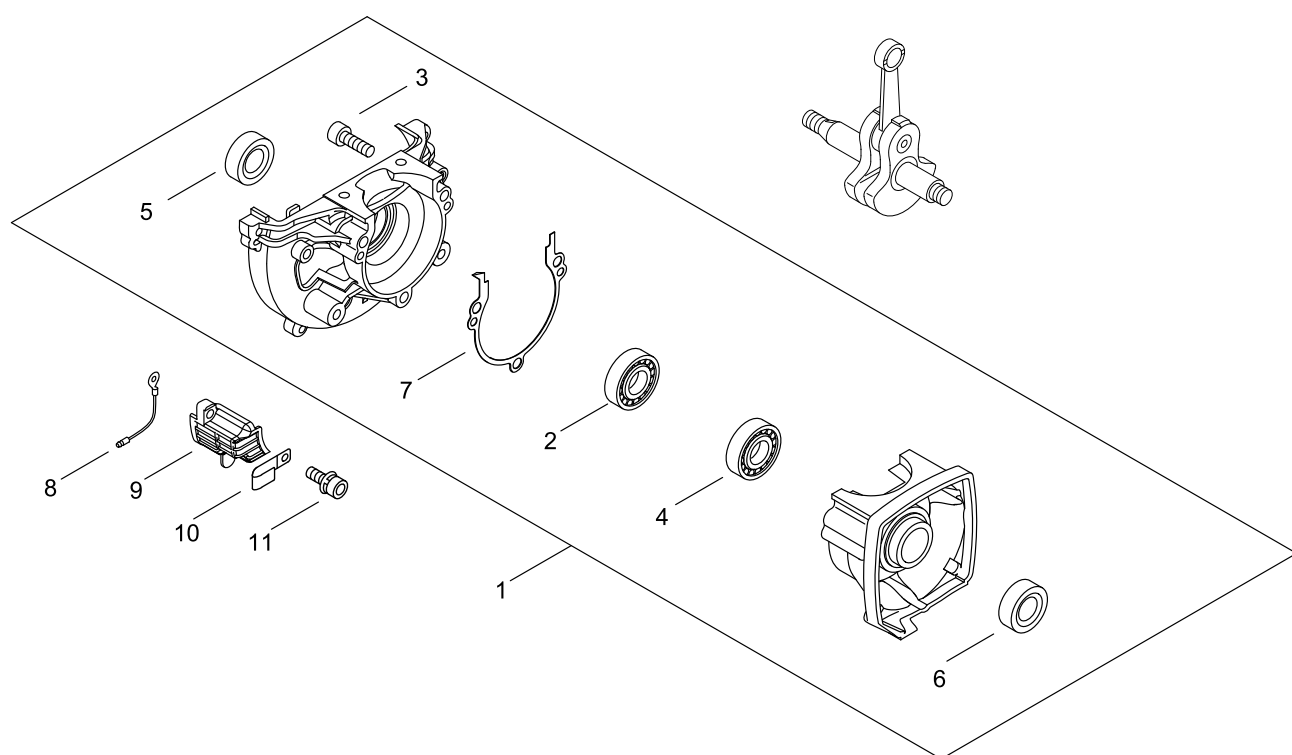
CYLINDER, PISTON, CRANKSHAFT

Key No.	LV (+)	Parts Number	Parts Description	Qty	Standard	Class
1		A011-000434	CRANKSHAFT,ASY	1		D
2		A130-000761	CYLINDER	1		D
3		V100-000210	GASKET,CYL	1	T0.5 38.1	B
4		900162-05025	BOLT HSH	4	5*25	
5		P021-009771	PISTON KIT	1		
6	+	A101-000170	RING, PISTON	1	34*1.5*1.5	B
7	+	100013-35430	PIN, PISTON	1	6*9*27.8	D
8	+	100015-03931	CIRCLIP, PISTON PIN	2		C
9	+	100012-16131	BEARING, NEEDLE	1		C
10	+	100014-53630	SPACER, PISTON PIN	2		C
11		A160-000780	COVER,CYLINDER	1		C
12		A162-000100	GUARD, TOP	1		C
13		900256-05016	SCREW, TAPPING	1	5*16	
14		A162-000080	GUARD, TOP	1		C
15		91140-05012	BOLT HS, BUTTON	1	5*12	
16		900106-05014	BOLT HSH, FLANGE	1	5*14	
17		A160-000691	COVER,CYLINDER	1		C
18		900106-05008	BOLT HSH, FLANGE	2	5*8	
19		X547-000930	LABEL,ECHO	1	ECHO+HCA-265ES	D
20		X505-007710	LABEL,CAUTION	1		D
21		X524-001901	LABEL	1		D

Class : Consumable class

A:Fast moving parts B:Semi-fast moving parts C:Slow moving parts D:Order only as needed

CRANKCASE



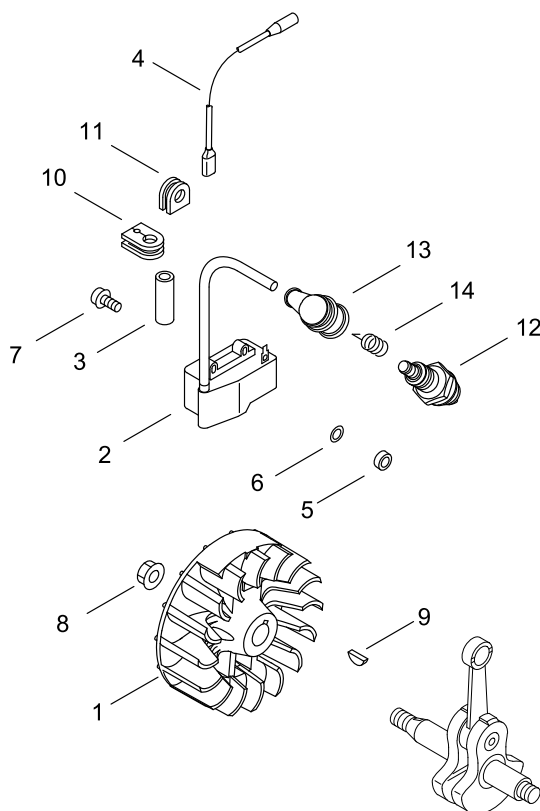
CRANKCASE

Key No.	LV (+)	Parts Number	Parts Description	Qty	Standard	Class
1		P021-010801	CRANKCASE KIT	1		
2	+	94035-36201	BEARING, BALL	1	6201	
3	+	900162-05028	BOLT HSH	3	5*28	
4	+	94035-36201	BEARING, BALL	1	6201	
5	+	100212-42031	OILSEAL	1	ISCD 12*22*4.5	C
6	+	V505-000050	SEAL,OIL 12	1		C
7	+	100242-42030	GASKET, CRANKCASE	1		B
8		156635-43130	LEAD, GROUND	1		C
9		A127-000160	COVER,DUST	1		C
10		159116-21231	CLAMP	1		C
11		900162-05016	BOLT HSH	1	5*16	

Class : Consumable class

A:Fast moving parts B:Semi-fast moving parts C:Slow moving parts D:Order only as needed

MAGNETO



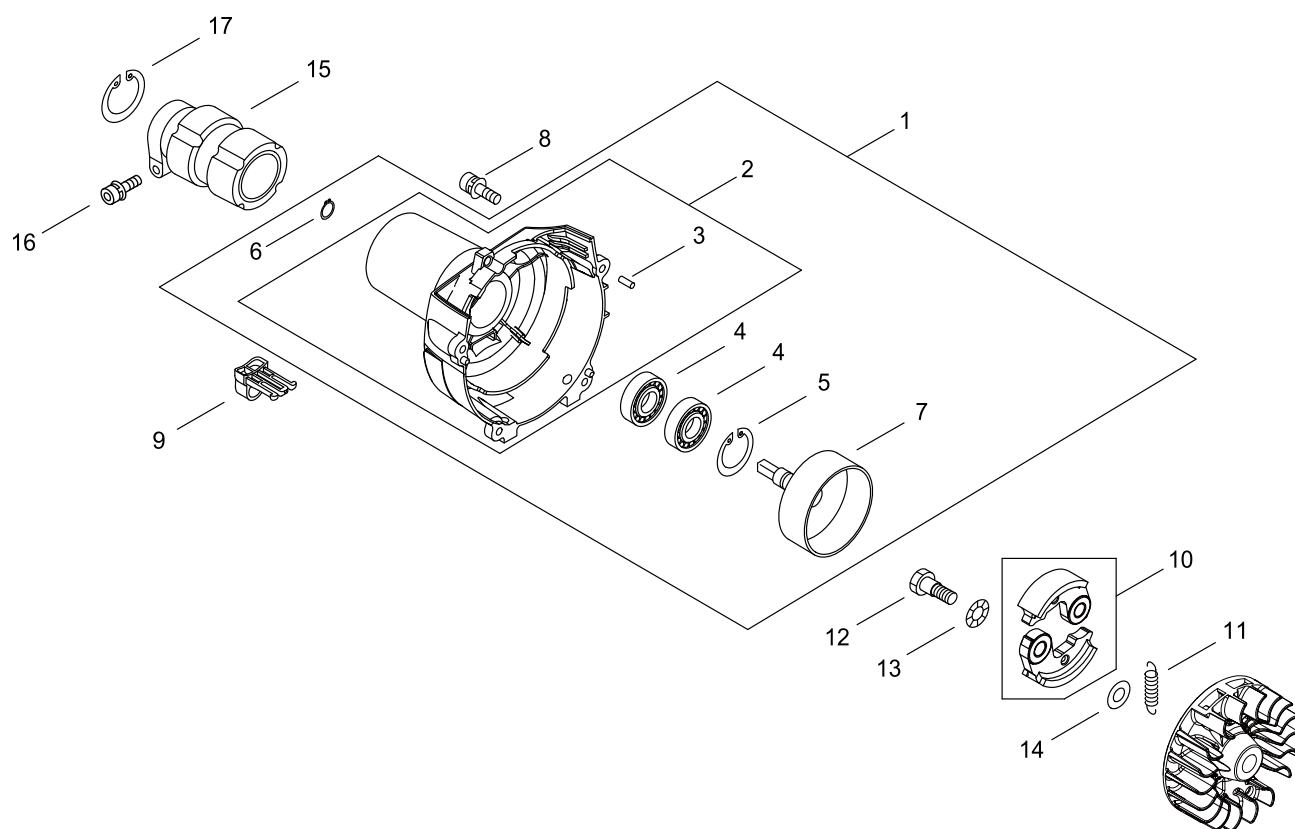
MAGNETO

Key No.	LV (+)	Parts Number	Parts Description	Qty	Standard	Class
1		A409-001222	ROTOR, MAGNETO	1	ID:C10744	C
2		A411-000252	COIL, IGNITION	1	ID#C10048 [1]	C
3		V475-003380	TUBE	1		C
4		162010-04561	LEAD, GROUND	1	210L	C
5		V322-000031	WASHER,CIRCULAR 4	2		C
6		900603-00004	WASHER	2	4	
7		V202-000130	BOLT,4	2	CBF-4*20	C
8		900515-00008	NUT, FLANGE	1	8	
9		100142-12330	KEY, WOODRUFF	1		C
10		V135-000030	GROMMET,HT CORD	1		C
11		156110-04920	BUSHING	1		C
12		A425-000000	SPARKPLUG	1	BPMR8Y	A
13		A427-000013	CAP,SPARK PLUG	1		C
14		A426-000010	TERMINAL,SPARKPLUG	1		C

Class : Consumable class

A:Fast moving parts B:Semi-fast moving parts C:Slow moving parts D:Order only as needed

CLUTCH



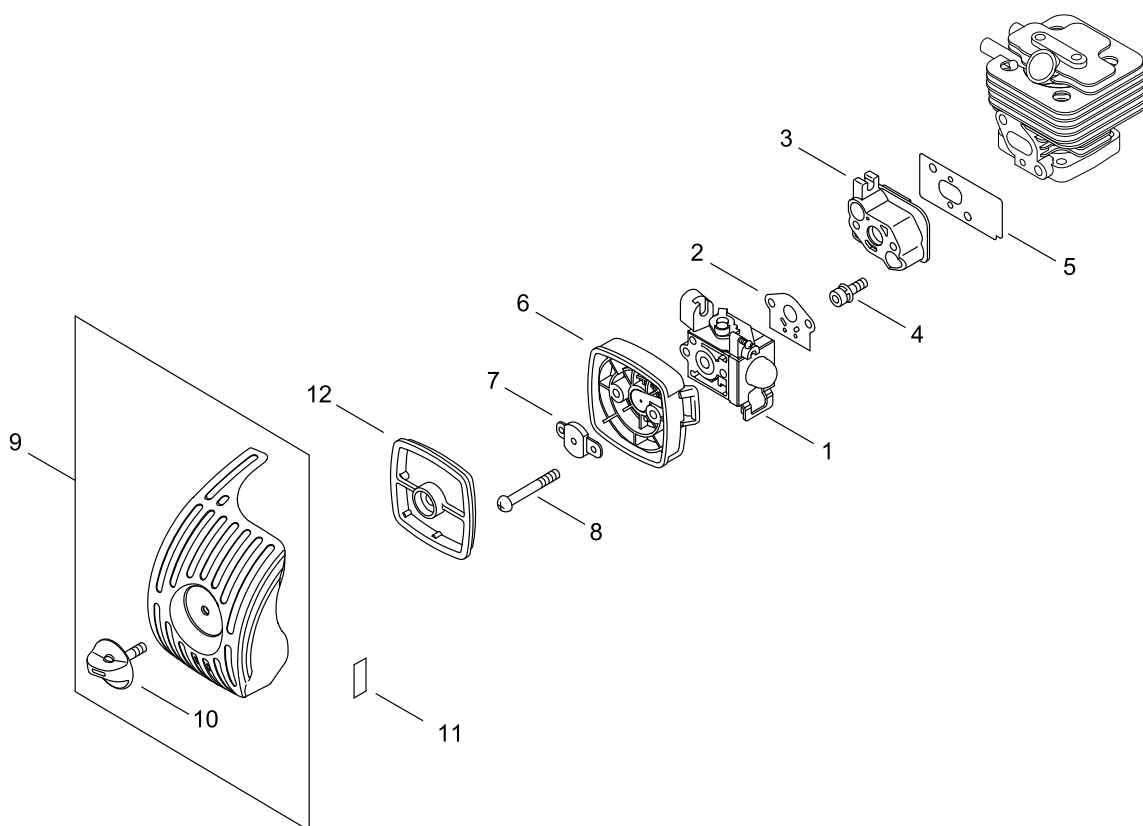
CLUTCH

Key No.	LV (+)	Parts Number	Parts Description	Qty	Standard	Class
1		P021-047710	COVER ASY, FAN	1		
2	+	A172-000750	COVER,FAN	1		C
3	++	900330-40080	ROLLER	2	4*8	
4	+	900807-06001	BEARING, BALL	2	6001LB	
5	+	900702-00028	RETAINING RING, INTERNAL	1	CR-28	
6	+	900701-00012	RETAINING RING, EXTERNAL	1	CS-12	
7	+	A556-000390	DRUM, CLUTCH	1		B
8		900163-04016	BOLT HSH	4	4*16	
9		V491-000180	CLIP	1		C
10		P021-046900	CLUTCH SHOE SET	1		
11		V451-001390	SPRING,TENSION	1	172N/34MM	B
12		175046-56030	SHAFT, CLUTCH	2		B
13		175049-56030	WASHER	2	8.5*16*0.5	C
14		175048-05530	WASHER (I)	2	6.2*19*1.0	C
15		A575-000110	FIXTURE,MAIN PIPE	1		C
16		900162-05028	BOLT HSH	1	5*28	
17		900702-00042	RETAINING RING, INTERNAL	1	CR-42	

Class : Consumable class

A:Fast moving parts B:Semi-fast moving parts C:Slow moving parts D:Order only as needed

AIR CLEANER, CARBURETOR



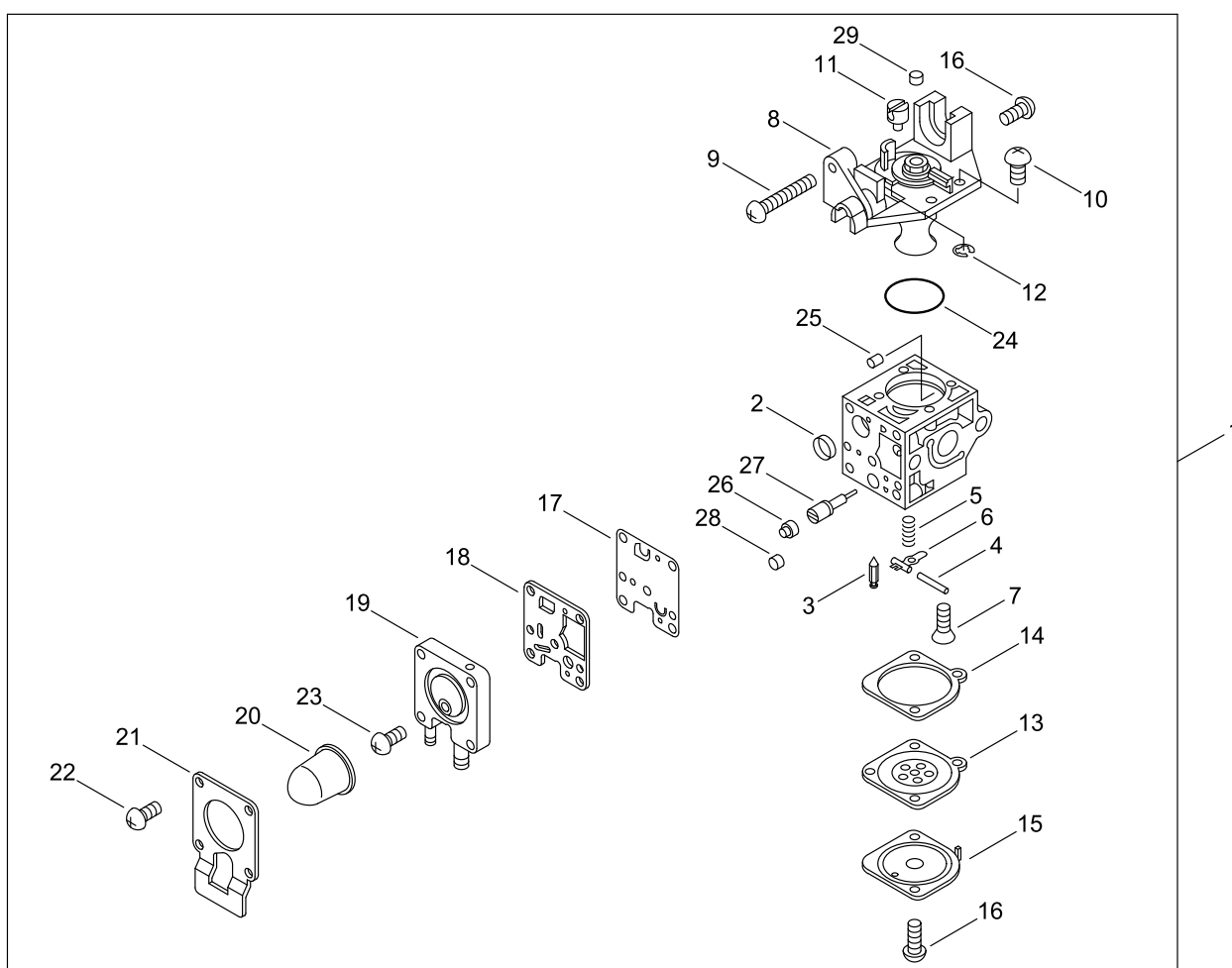
AIR CLEANER, CARBURETOR

Key No.	LV (+)	Parts Number	Parts Description	Qty	Standard	Class
1		A021-001742	CARBURETOR,DIAPHRAGM	1	ZAMA RB-K94	B
2		V103-000270	GASKET,INTAKE	1	T1.5-11	A
3		A200-000200	INSULATOR,INTAKE	1		C
4		900162-05025	BOLT HSH	2	5*25	
5		V103-000210	GASKET,INTAKE	1		A
6		P021-049010	CASE,CLEANER	1		
7		129011-52730	PLATE, PREVENT	1		C
8		900242-05065	SCREW	2	5*65	
9		P021-047720	CLEANER COVER ASY	1		
10	+	V299-000250	KNOB,FASTENER	1		C
11		890332-52730	LABEL, CHOKE	1		D
12		A226-001410	ELEMENT,AIR FILTER	1		A

Class : Consumable class

A:Fast moving parts B:Semi-fast moving parts C:Slow moving parts D:Order only as needed

CARBURETOR



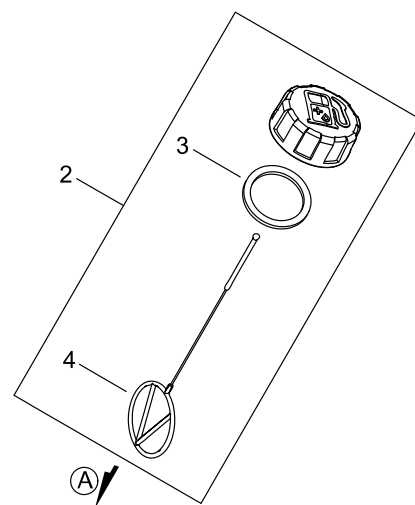
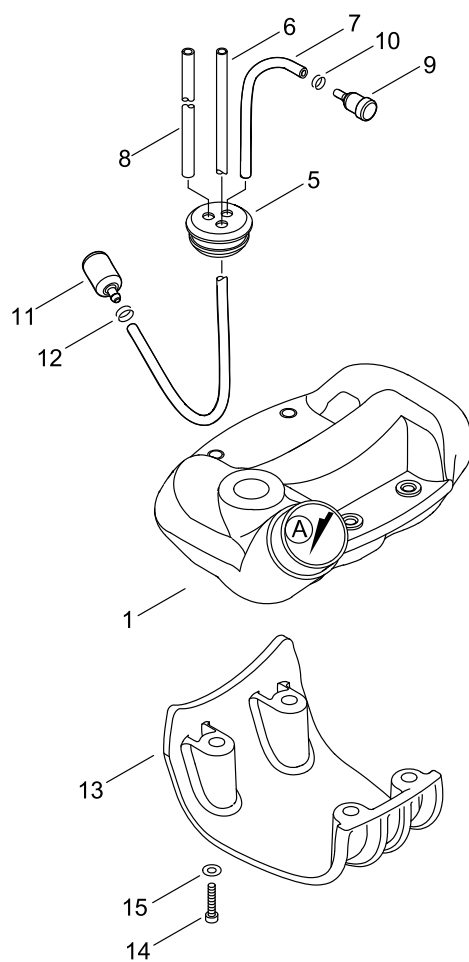
CARBURETOR

Key No.	LV (+)	Parts Number	Parts Description	Qty	Standard	Class
1		A021-001742	CARBURETOR,DIAPHRAGM	1	ZAMA RB-K94	B
2	+	P005-000010	STRAINER	1		
3	+	125337-08260	VALVE, INLET NEEDLE	1		D
4	+	125338-13930	PIN, METERING ARM	1		
5	+	125322-07260	SPRING, COIL	1		
6	+	125323-08260	ARM, VALVE	1		
7	+	125339-42030	SCREW	1		
8	+	P005-002070	COVER ASY, ROTOR	1		
9	+	P005-000100	SCREW,THROTTLEADJUST	1		
10	+	125344-13931	SCREW	3		D
11	+	P005-001240	POST	1		
12	+	P005-000190	E-RING	1		D
13	+	P005-002230	DIAPHRAGM ,METERING	1		A
14	+	P005-000200	GASKET, METERING	1		A
15	+	125342-52130	COVER, DIAPHRAGM	1		D
16	+	125344-52130	SCREW	3		D
17	+	P005-000510	DIAPHRAGM, PUMP	1		A
18	+	P005-000520	GASKET, PUMP	1		A
19	+	P005-001890	BASE, ASY PRIMER	1		
20	+	P005-003110	PUMP, PRIMER	1		
21	+	P005-000250	RETAINER	1		
22	+	P005-001900	SCREW	4		D
23	+	P005-000270	SCREW	1		
24	+	P005-004260	RING,O	1		
25	+	P005-001000	ROLLER, GUIDE	1		D
26	+	P005-001250	RETAINER,PLUG BALL	1		
27	+	P005-001290	SCREW,MAINN MIXTURE	1		
28	+	P005-001270	PLUG, AJUST SCREW	1		
29	+	A259-000010	CAP,LIMITER	1		B

Class : Consumable class

A:Fast moving parts B:Semi-fast moving parts C:Slow moving parts D:Order only as needed

FUEL TANK



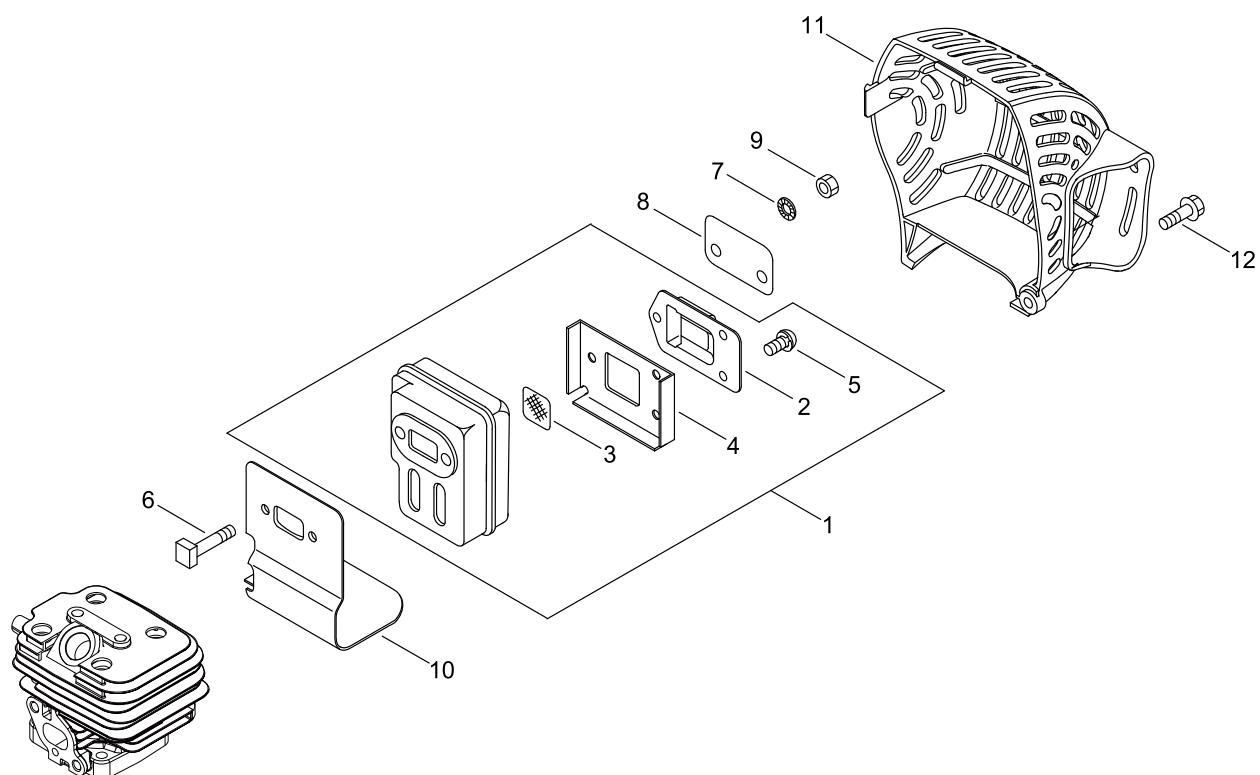
FUEL TANK

Key No.	LV (+)	Parts Number	Parts Description	Qty	Standard	Class
1		A350-000440	TANK, FUEL	1		C
2		P100-006640	CAP, FUEL ASY	1		
3	+	V107-000190	GASKET, FUEL CAP	1	37.9* T 2.2	A
4	+	131051-56030	CLIP, FUEL CAP	1	100L	B
5		132115-55931	GROMMET, FUEL	1	3 φ5	C
6		V470-000581	PIPE	1	3*5*195	C
7		V471-001181	PIPE	1	3*6*35	C
8		132010-40830	PIPE 3* 6* 75	1	3*6*75 YL	C
9		A356-000031	VALVE,CHECK	1		B
10		V490-001230	CLIP	1		C
11		A369-000001	STRAINER, FUEL	1	125-528	A
12		V490-001240	CLIP	1		C
13		A175-000030	STAND	1		C
14		900162-05025	BOLT HSH	4	5*25	
15		900603-00005	WASHER	4	5	

Class : Consumable class

A:Fast moving parts B:Semi-fast moving parts C:Slow moving parts D:Order only as needed

MUFFLER



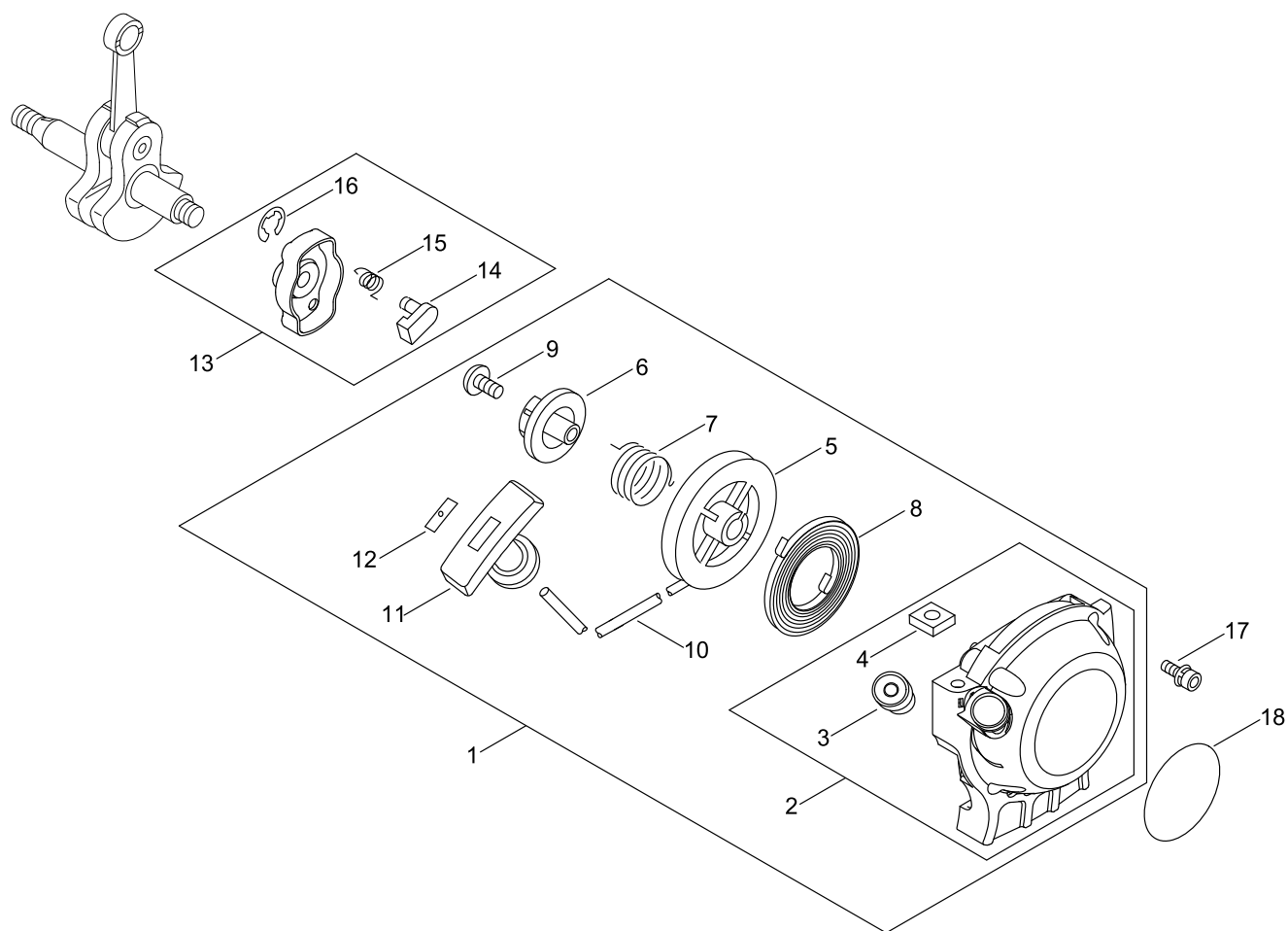
MUFFLER

Key No.	LV (+)	Parts Number	Parts Description	Qty	Standard	Class
1		P021-011580	MUFFLER ASY	1		
2	+	A313-000830	GUIDE, EXHAUST	1	ID#1330	C
3	+	145862-40630	SCREEN, MUFFLER	1		B
4	+	V104-000790	GASKET,EXHAUST	1		A
5	+	91367-04010	SCREW	3	4*10	
6		V203-000120	BOLT,5	2	L=60	C
7		92280-05000	WASHER, NORD-LOCK	2	NL5	
8		V150-001760	PLATE,EYE	1		C
9		900500-00005	NUT	2	5	
10		V104-000780	GASKET,EXHAUST	1		A
11		A320-000341	COVER,MUFFLER	1		C
12		900106-05014	BOLT HSH, FLANGE	1	5*14	

Class : Consumable class

A:Fast moving parts B:Semi-fast moving parts C:Slow moving parts D:Order only as needed

RECOIL STARTER, PULLY



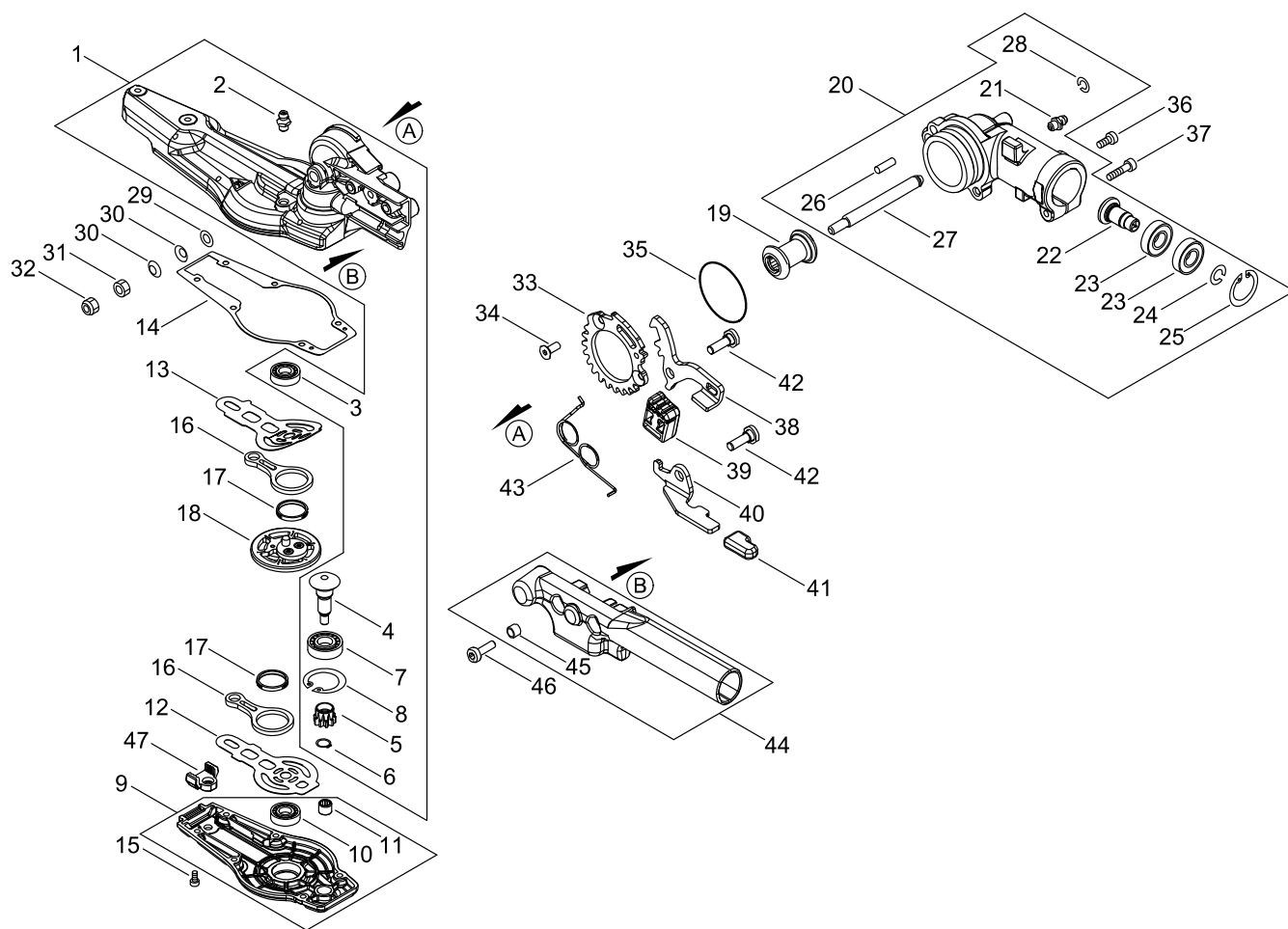
RECOIL STARTER, PULLY

Key No.	LV (+)	Parts Number	Parts Description	Qty	Standard	Class
1		A051-000941	STARTER,RECOIL	1		B
2	+	P022-049100	STATER CASE	1		
3	++	P022-045770	GUIDE, ROPE	1		
4	++	P022-022010	NUT	4		
5	+	P022-027980	DRUM, STARTER	1		
6	+	P022-028000	PLATE, CAM	1		
7	+	P022-008270	SPRING,DAMPER	1		
8	+	177220-42030	SPRING, REWIND	1		
9	+	177236-61830	SCREW	1		
10	+	P022-008260	ROPE	1	3M/M	
11	+	177228-27030	GRIP, STARTER	1		C
12	+	P022-037670	STOPPER, ROPE	1		
13		A052-000180	PULLEY,ASM STARTER	1		C
14	+	P022-006850	PAWL, STARTER	2		
15	+	P022-006510	SPRING, RETURN	1		
16	+	P022-002100	E-RING	2	4	
17		900163-04016	BOLT HSH	4	4*16	
18		X502-000330	LABEL,ECHO	1	ECHO	D

Class : Consumable class

A:Fast moving parts B:Semi-fast moving parts C:Slow moving parts D:Order only as needed

GEAR CASE



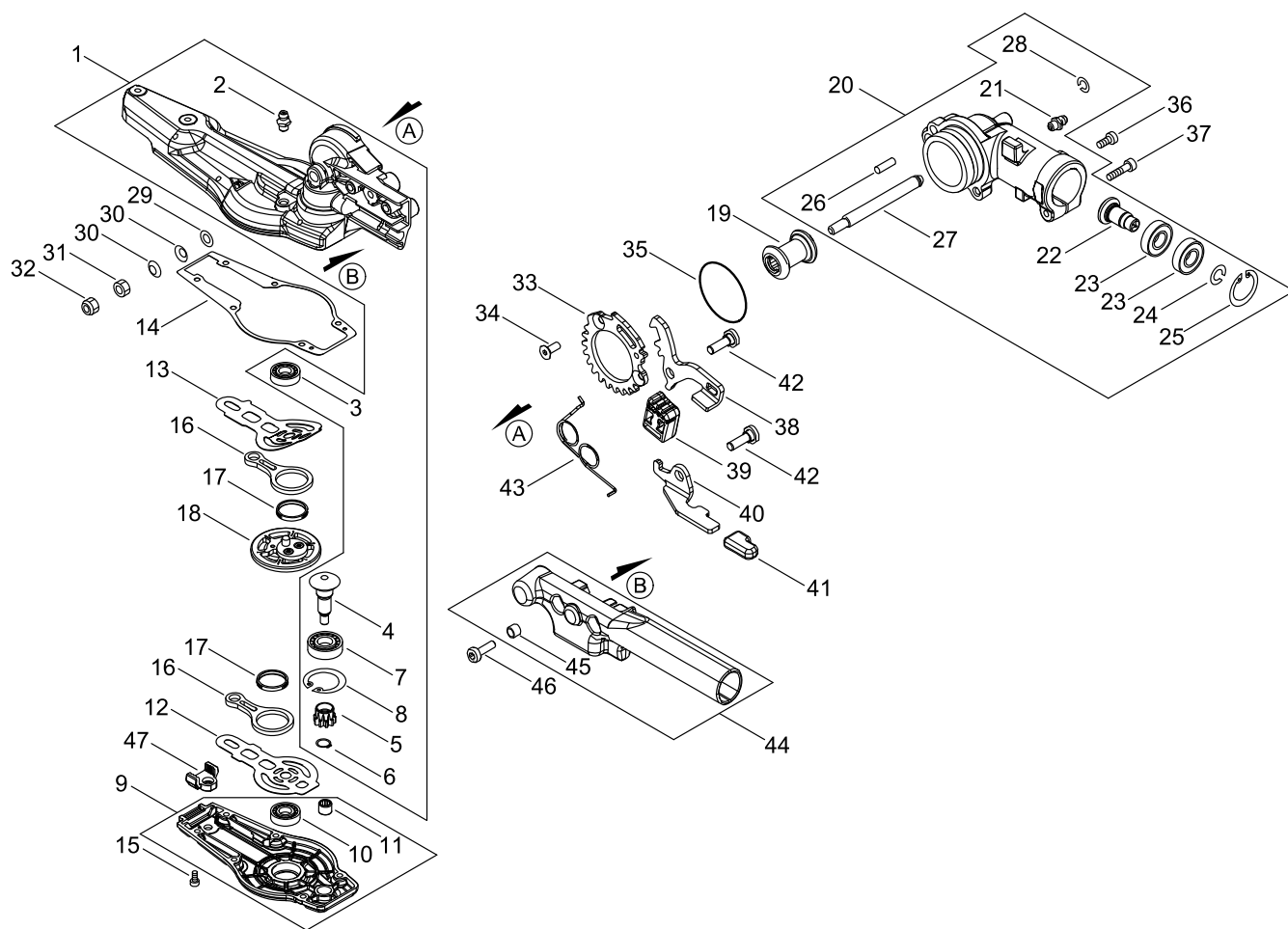
GEAR CASE

Key No.	LV (+)	Parts Number	Parts Description	Qty	Standard	Class
1		P100-003620	CASE,GEAR ASY	1		
2	+	V187-000080	GREASE NIPPLE	1		C
3	+	900800-00608	BEARING, BALL	1	608	
4	+	V655-000110	SHAFT,PINION	1		C
5	+	V650-000730	GEAR,SPUR	1		C
6	+	900701-00008	RETAINING RING	1	CS-8	
7	+	900800-06001	BEARING, BALL	1	6001	
8	+	900702-00028	RETAINING RING	1	CR-28	
9		P100-003631	LID ASY, GEARCASE	1		
10	+	900800-00608	BEARING, BALL	1	608	
11	+	V551-000000	BEARING,NEEDLE 6	1	HK0609FM	C
12		V150-004310	PLATE,EYE	1	T0.5	C
13		V150-004320	PLATE,EYE	1	T0.5	C
14		V110-000200	GASKET,GEAR CASE	1	T0.3	A
15		V804-000050	BOLT, TORX 4	6	TB-4*12 10.9	C
16		C532-000530	ROD, CONNECTING	2		C
17		V572-000000	BEARING, NEEDLE	2		C
18		V060-000130	GEAR,SPUR	1		C
19		P100-003640	GEAR,BEVEL	1		
20	+	P100-005380	CASE,GEAR ASY	1		
21	+	V187-000080	GREASE NIPPLE	1		C
22	+	V651-001100	GEAR,BEVEL	1		D
23	+	900857-06901	BEARING, BALL	2	6901LLU(DDU)	
24	+	900706-00012	RETAINING RING	1	WR-12	
25	+	900702-00024	RETAINING RING	1	CR-24	
26	+	V623-000120	PIN,STRAIGHT 5	1	L15.5	C
27	+	C534-001100	SHAFT, GEAR	1		D
28	+	92411-08000	RETAINING RING	1	WR-8	
29		900603-00006	WASHER	1	6	
30		V347-000030	CONE WASHER	2		C
31		900502-00006	NUT	1	6	
32		900560-00006	NUT, LOCK	1	6	
33		C465-000040	RESETTER, LATCH	1		C
34		900175-05012	BOLT HSH	2	5*12	
35		900724-00035	O-RING	1	S-35	
36		V805-000130	BOLT, TORX 5	1	TB-5*10 10.9	C
37		V805-000170	BOLT, TORX 5	1	TB-5*25 10.9	C
38		C661-000210	LEVER, RELEASE	1		C
39		V494-001070	CAP	1		C
40		C661-000220	LEVER, RELEASE	1		C
41		V494-000891	CAP	1		C
42		V204-000580	BOLT,6	2		C
43		V452-001740	SPRING,TORSION	1		B
44		C403-000880	GRIP, HANDLE	1		C

Class : Consumable class

A:Fast moving parts B:Semi-fast moving parts C:Slow moving parts D:Order only as needed

GEAR CASE



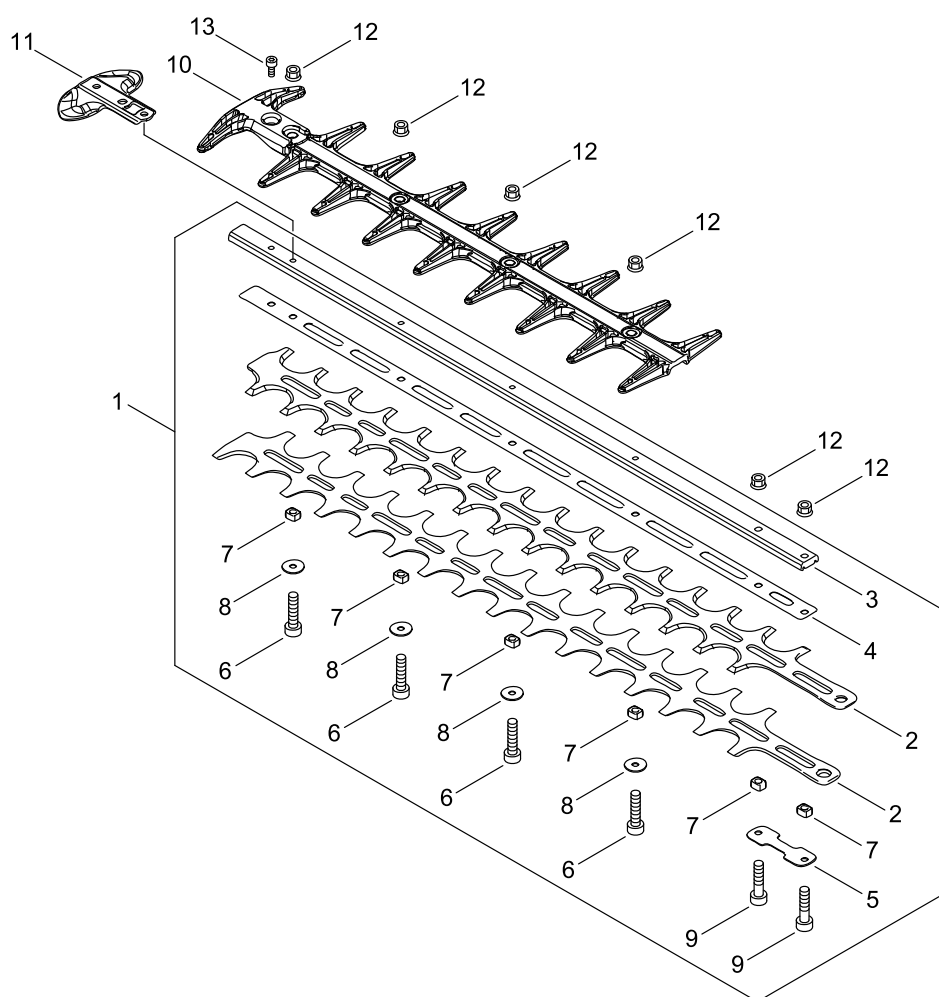
GEAR CASE

Key No.	LV (+)	Parts Number	Parts Description	Qty	Standard	Class
45	+	131045-28230	COLLAR	2		C
46		V805-000150	BOLT, TORX 5	2	TB-5*16 10.9	C
47		V541-000620	SEAL	1		C

Class : Consumable class

A:Fast moving parts B:Semi-fast moving parts C:Slow moving parts D:Order only as needed

CUTTING BLADE



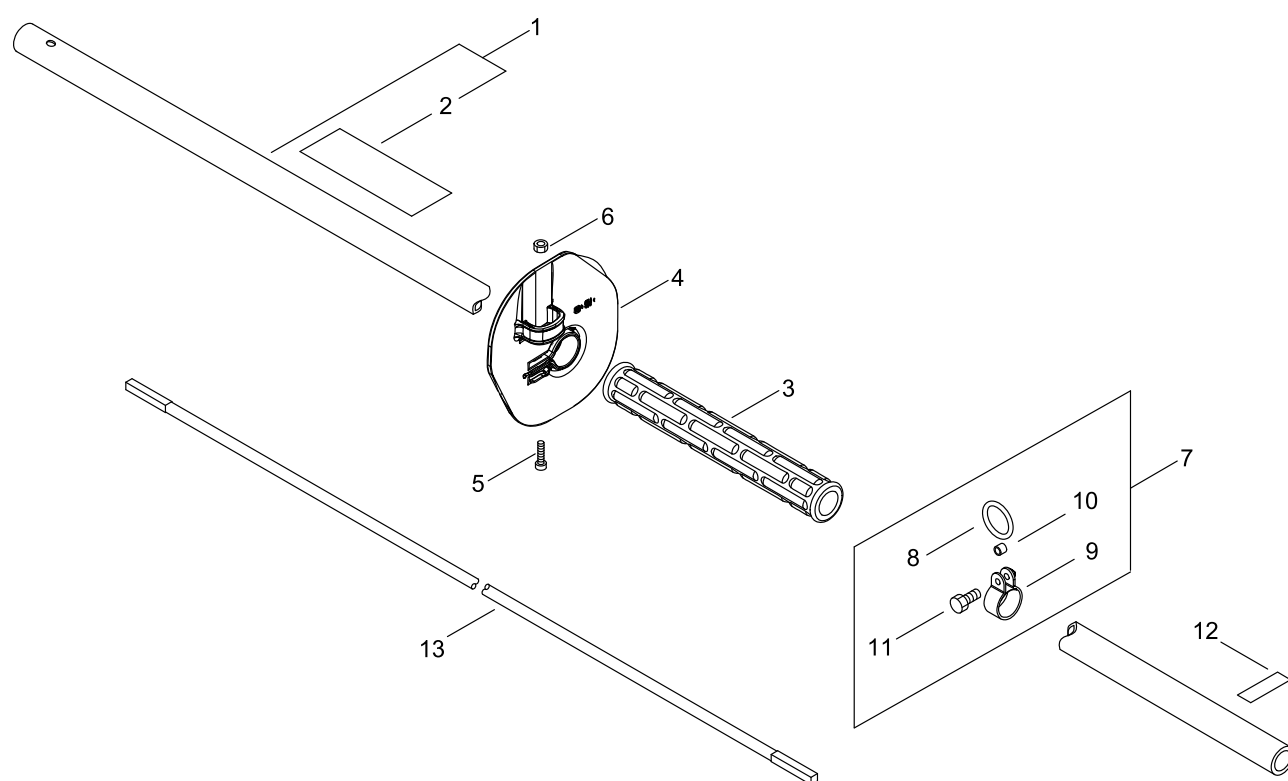
CUTTING BLADE

Key No.	LV (+)	Parts Number	Parts Description	Qty	Standard	Class
1		X041-000630	CUTTER,ASM	1		B
2	+	X411-001360	CUTTER	2		A
3	+	X425-001030	SUPPORT,CUTTER	1		B
4	+	X425-001040	SUPPORT,CUTTER	1		B
5	+	V150-004330	PLATE,EYE	1		C
6	+	V805-000170	BOLT, TORX 5	4	TB-5*25 10.9	C
7	+	V353-000250	COLLAR	6	9*7.45*5.3	C
8	+	V303-000290	WASHER	4		C
9	+	V805-000180	BOLT, TORX 5	2	TB-5*30 12.9	C
10		X431-000250	BLUNT	1		C
11		E278-000311	PROTECTOR	1	NEW-SHC	C
12		92108-05000	NUT, FLANGE	6	5	
13		V805-000120	BOLT, TORX 5	1	TB-5*8 10.9	C

Class : Consumable class

A:Fast moving parts B:Semi-fast moving parts C:Slow moving parts D:Order only as needed

MAIN PIPE



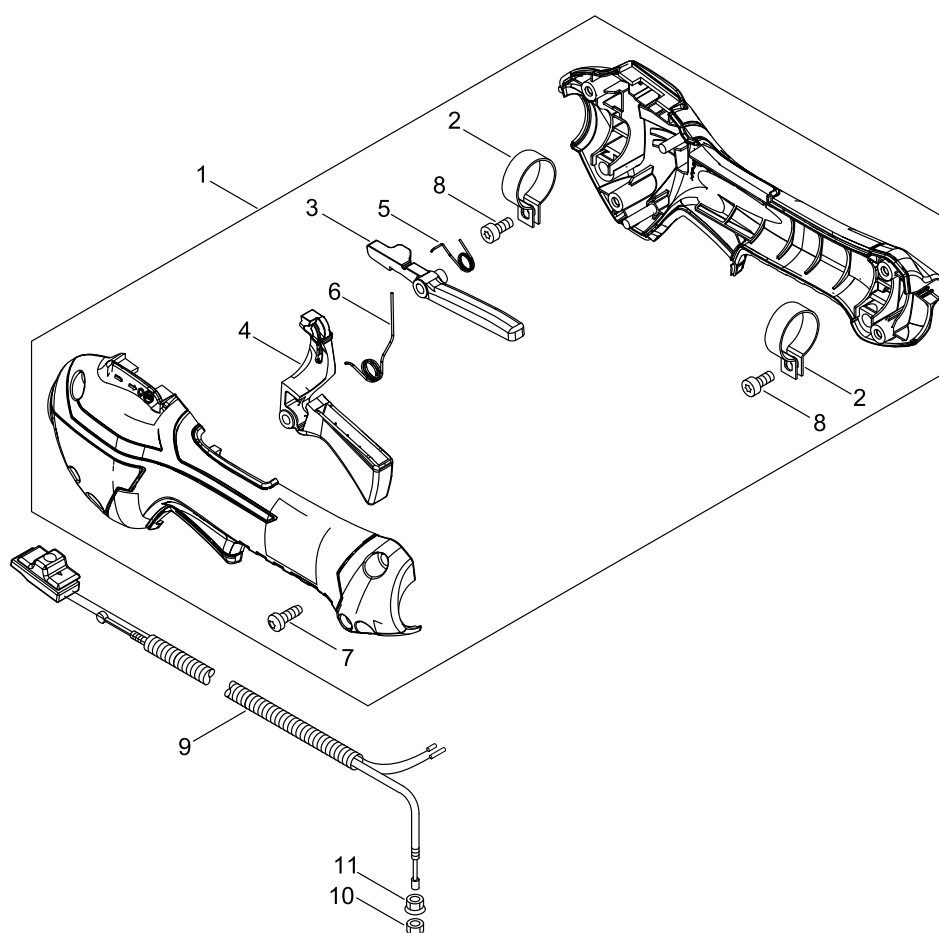
MAIN PIPE

Key No.	LV (+)	Parts Number	Parts Description	Qty	Standard	Class
1		P100-004090	MAIN PIPE ASY	1		
2	+	890617-12361	LABEL, CAUTION	1		D
3		C403-000470	GRIP	1		C
4		C440-000022	GUARD,HAND	1	BLADE HOLD-DOWN	C
5		V805-000160	BOLT, TORX 5	1	TB-5*20 10.9	C
6		900500-00005	NUT	1	5	
7		P100-005360	HOOK ASY	1		
8	+	301016-52730	RING,HARNESS	1		C
9	+	301207-08930	HOOK	1		C
10	+	699012-03330	SPACER	1		C
11	+	V805-000150	BOLT, TORX 5	1	TB-5*16 10.9	C
12		890152-04930	LABEL, CAUTION	1		D
13		C506-000390	SHAFT, FLEXIBLE	1	59.920 LNG	B

Class : Consumable class

A:Fast moving parts B:Semi-fast moving parts C:Slow moving parts D:Order only as needed

THROTTLE



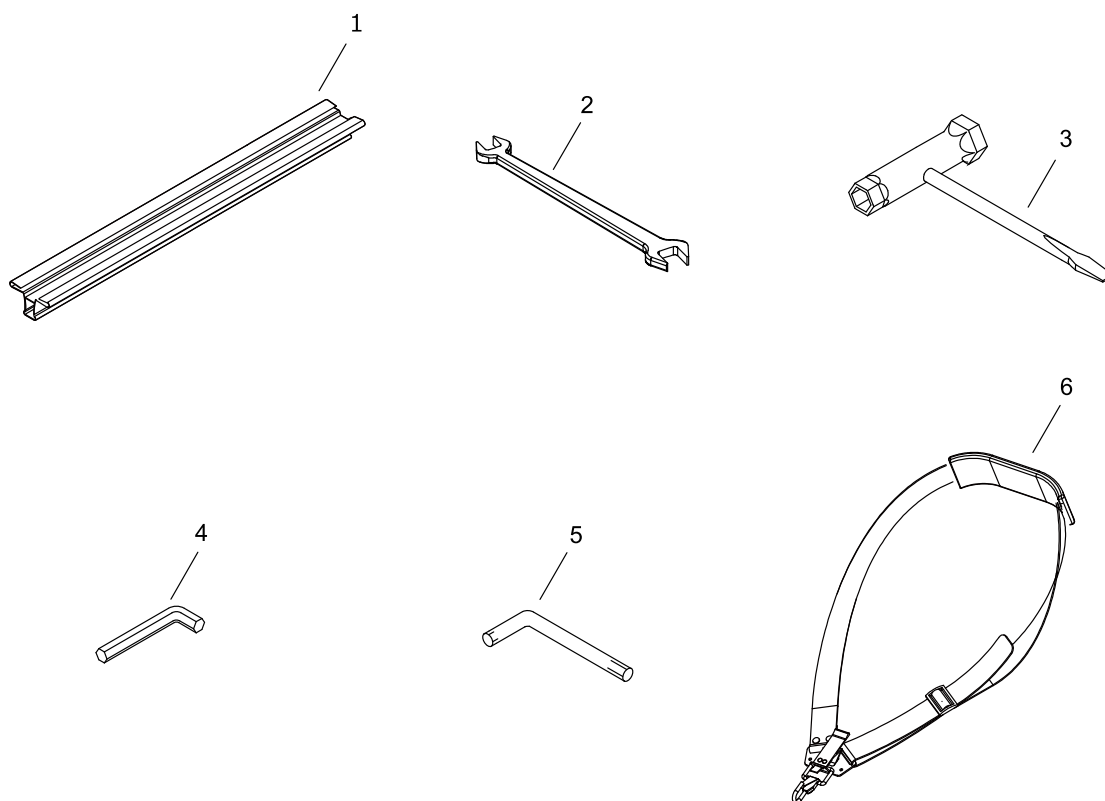
THROTTLE

Key No.	LV (+)	Parts Number	Parts Description	Qty	Standard	Class
1		P021-047691	GRIP ASY	1		
2	+	V495-003020	BAND	2		C
3	+	C460-000441	LOCKOUT, THROTTLE	1	SRM-225 REDESIGN	C
4	+	C453-000482	LEVER, THROTTLE	1	SRM-225 REDESIGN	C
5	+	V452-001510	SPRING,TORSION	1	LOCKOUT LEVER	B
6	+	V452-001520	SPRING,TORSION	1	THROTTLE LEVER	B
7	+	V805-000000	BOLT, TORX 5	4	TT-5*16 DG 10.9	C
8	+	V805-000150	BOLT, TORX 5	2	TB-5*16 10.9	C
9		P021-047700	CABLE ASY, CONTROL	1		
10		900502-00006	NUT	1	6	
11		900518-00006	NUT, FLANGE	1	6	

Class : Consumable class

A:Fast moving parts B:Semi-fast moving parts C:Slow moving parts D:Order only as needed

ACCESSORIES



ACCESSORIES

Key No.	LV (+)	Parts Number	Parts Description	Qty	Standard	Class
1		X495-000770	SCABBARD, BLADE	1	L=560MM W=71MM	D
2		895112-00330	SPANNER 8*10	1		D
3		895410-03930	WRENCH, W/S. DRIVER	1		D
4		X605-000200	TOOL, L WRENCH	1	4MM M5	D
5		X605-000170	TOOL, L WRENCH	1		D
6		C062-000390	STRAP ASSY	1		B

Class : Consumable class

A:Fast moving parts B:Semi-fast moving parts C:Slow moving parts D:Order only as needed

NUMERICAL PARTS INDEX

Part No	Part description	Page	Part No	Part description	Page	Part No	Part description	Page
100012-16131	BEARING, NEEDLE	2	900162-05025	BOLT HSH	14	A127-000160	COVER,DUST	4
100013-35430	PIN, PISTON	2	900162-05028	BOLT HSH	4	A130-000761	CYLINDER	2
100014-53630	SPACER, PISTON PIN	2	900162-05028	BOLT HSH	8	A160-000691	COVER,CYLINDER	2
100015-03931	CIRCLIP, PISTON PIN	2	900163-04016	BOLT HSH	8	A160-000780	COVER,CYLINDER	2
100142-12330	KEY, WOODRUFF	6	900163-04016	BOLT HSH	18	A162-000080	GUARD, TOP	2
100212-42031	OILSEAL	4	900175-05012	BOLT HSH	20	A162-000100	GUARD, TOP	2
100242-42030	GASKET, CRANKCASE	4	900242-05065	SCREW	10	A172-000750	COVER, FAN	8
125322-07260	SPRING, COIL	12	900256-05016	SCREW, TAPPING	2	A175-000030	STAND	14
125323-08260	ARM, VALVE	12	900330-40080	ROLLER	8	A200-000200	INSULATOR, INTAKE	10
125337-08260	VALVE, INLET NEEDLE	12	900500-00005	NUT	16	A226-001410	ELEMENT, AIR FILTER	10
125338-13930	PIN, METERING ARM	12	900500-00005	NUT	26	A259-000010	CAP, LIMITER	12
125339-42030	SCREW	12	900502-00006	NUT	20	A313-000830	GUIDE, EXHAUST	16
125342-52130	COVER, DIAPHRAGM	12	900502-00006	NUT	28	A320-000341	COVER, MUFFLER	16
125344-13931	SCREW	12	900515-00008	NUT, FLANGE	6	A350-000440	TANK, FUEL	14
125344-52130	SCREW	12	900518-00006	NUT, FLANGE	28	A356-000031	VALVE, CHECK	14
129011-52730	PLATE, PREVENT	10	900560-00006	NUT, LOCK	20	A369-000001	STRAINER, FUEL	14
131045-28230	COLLAR	22	900603-00004	WASHER	6	A409-001222	ROTOR, MAGNETO	6
131051-56030	CLIP, FUEL CAP	14	900603-00005	WASHER	14	A411-000252	COIL, IGNITION	6
132010-40830	PIPE 3* 6* 75	14	900603-00006	WASHER	20	A425-000000	SPARKPLUG	6
132115-55931	GROMMET, FUEL	14	900701-00008	RETAINING RING	20	A426-000010	TERMINAL, SPARKPLUG	6
145862-40630	SCREEN, MUFFLER	16	900701-00012	RETAINING RING, EXTERNAL	8	A427-000013	CAP, SPARK PLUG	6
156110-04920	BUSHING	6	900702-00024	RETAINING RING	20	A556-000390	DRUM, CLUTCH	8
156635-43130	LEAD, GROUND	4	900702-00028	RETAINING RING, INTERNAL	8	A575-000110	FIXTURE, MAIN PIPE	8
159116-21231	CLAMP	4	900702-00028	RETAINING RING	20	C062-000390	STRAP ASSY	30
162010-04561	LEAD, GROUND	6	900702-00042	RETAINING RING, INTERNAL	8	C403-000470	GRIP	26
175046-56030	SHAFT, CLUTCH	8	900706-00012	RETAINING RING	20	C403-000880	GRIP, HANDLE	20
175048-05530	WASHER (I)	8	900724-00035	O-RING	20	C440-000022	GUARD, HAND	26
175049-56030	WASHER	8	900800-00608	BEARING, BALL	20	C453-000482	LEVER, THROTTLE	28
177220-42030	SPRING, REWIND	18	900800-06001	BEARING, BALL	20	C460-000441	LOCKOUT, THROTTLE	28
177228-27030	GRIP, STARTER	18	900807-06001	BEARING, BALL	8	C465-000040	RESETTER, LATCH	20
177236-61830	SCREW	18	900857-06901	BEARING, BALL	20	C506-000390	SHAFT, FLEXIBLE	26
301016-52730	RING, HARNESS	26	91140-05012	BOLT HS, BUTTON	2	C532-000530	ROD, CONNECTING	20
301207-08930	HOOK	26	91367-04010	SCREW	16	C534-001100	SHAFT, GEAR	20
699012-03330	SPACER	26	92108-05000	NUT, FLANGE	24	C661-000210	LEVER, RELEASE	20
890152-04930	LABEL, CAUTION	26	92280-05000	WASHER, NORD-LOCK	16	C661-000220	LEVER, RELEASE	20
890332-52730	LABEL, CHOKE	10	92411-08000	RETAINING RING	20	E278-000311	PROTECTOR	24
890617-12361	LABEL, CAUTION	26	94035-36201	BEARING, BALL	4	P005-000010	STRAINER	12
895112-00330	SPANNER 8*10	30	A011-000434	CRANKSHAFT, ASY	2	P005-000100	SCREW, THROTTLEADJUST	12
895410-03930	WRENCH, W/S. DRIVER	30	A021-001742	CARBURETOR, DIAPHRAGM	10	P005-000190	E-RING	12
900106-05008	BOLT HSH, FLANGE	2	A021-001742	CARBURETOR, DIAPHRAGM	12	P005-000200	GASKET, METERING	12
900106-05014	BOLT HSH, FLANGE	2	A051-000941	STARTER, RECOIL	18	P005-000250	RETAINER	12
900106-05014	BOLT HSH, FLANGE	16	A052-000180	PULLEY, ASM STARTER	18	P005-000270	SCREW	12
900162-05016	BOLT HSH	4	A101-000170	RING, PISTON	2	P005-000510	DIAPHRAGM, PUMP	12
900162-05025	BOLT HSH	2				P005-000520	GASKET, PUMP	12
900162-05025	BOLT HSH	10						

NUMERICAL PARTS INDEX

Part No	Part description	Page	Part No	Part description	Page	Part No	Part description	Page
P005-001000	ROLLER, GUIDE	12	V110-000200	GASKET,GEAR CASE	20	V805-000170	BOLT, TORX 5	24
P005-001240	POST	12	V135-000030	GROMMET,HT CORD	6	V805-000180	BOLT, TORX 5	24
P005-001250	RETAINER,PLUG BALL	12	V150-001760	PLATE,EYE	16	X041-000630	CUTTER,ASM	24
P005-001270	PLUG, AJUST SCREW	12	V150-004310	PLATE,EYE	20	X411-001360	CUTTER	24
P005-001290	SCREW,MAINN MIXTURE	12	V150-004320	PLATE,EYE	20	X425-001030	SUPPORT,CUTTER	24
P005-001890	BASE, ASY PRIMER	12	V150-004330	PLATE,EYE	24	X425-001040	SUPPORT,CUTTER	24
P005-001900	SCREW	12	V187-000080	GREASE NIPPLE	20	X431-000250	BLUNT	24
P005-002070	COVER ASY, ROTOR	12	V202-000130	BOLT,4	6	X495-000770	SCABBARD,BLADE	30
P005-002230	DIAPHRAGM ,METERING	12	V203-000120	BOLT,5	16	X502-000330	LABEL,ECHO	18
P005-003110	PUMP, PRIMER	12	V204-000580	BOLT,6	20	X505-007710	LABEL,CAUTION	2
P005-004260	RING,O	12	V299-000250	KNOB,FASTENER	10	X524-001901	LABEL	2
P021-009771	PISTON KIT	2	V303-000290	WASHER	24	X547-000930	LABEL,ECHO	2
P021-010801	CRANKCASE KIT	4	V322-000031	WASHER,CIRCULAR 4	6	X605-000170	TOOL,L WRENCH	30
P021-011580	MUFFLER ASY	16	V347-000030	CONE WASHER	20	X605-000200	TOOL,L WRENCH	30
P021-046900	CLUTCH SHOE SET	8	V353-000250	COLLAR	24			
P021-047691	GRIP ASY	28	V451-001390	SPRING,TENSION	8			
P021-047700	CABLE ASY, CONTROL	28	V452-001510	SPRING,TORSION	28			
P021-047710	COVER ASY, FAN	8	V452-001520	SPRING,TORSION	28			
P021-047720	CLEANER COVER ASY	10	V452-001740	SPRING,TORSION	20			
P021-049010	CASE,CLEANER	10	V470-000581	PIPE	14			
P022-002100	E-RING	18	V471-001181	PIPE	14			
P022-006510	SPRING, RETURN	18	V475-003380	TUBE	6			
P022-006850	PAWL, STARTER	18	V490-001230	CLIP	14			
P022-008260	ROPE	18	V490-001240	CLIP	14			
P022-008270	SPRING,DAMPER	18	V491-000180	CLIP	8			
P022-022010	NUT	18	V494-000891	CAP	20			
P022-027980	DRUM, STARTER	18	V494-001070	CAP	20			
P022-028000	PLATE, CAM	18	V495-003020	BAND	28			
P022-037670	STOPPER, ROPE	18	V505-000050	SEAL,OIL 12	4			
P022-045770	GUIDE, ROPE	18	V541-000620	SEAL	22			
P022-049100	STATER CASE	18	V551-000000	BEARING,NEEDLE 6	20			
P100-003620	CASE,GEAR ASY	20	V572-000000	BEARING, NEEDLE	20			
P100-003631	LID ASY, GEARCASE	20	V623-000120	PIN,STRAIGHT 5	20			
P100-003640	GEAR,BEVEL	20	V650-000730	GEAR,SPUR	20			
P100-004090	MAIN PIPE ASY	26	V651-001100	GEAR,BEVEL	20			
P100-005360	HOOK ASY	26	V655-000110	SHAFT,PINION	20			
P100-005380	CASE,GEAR ASY	20	V804-000050	BOLT, TORX 4	20			
P100-006640	CAP,FUEL ASY	14	V805-000000	BOLT, TORX 5	28			
V060-000130	GEAR,SPUR	20	V805-000120	BOLT, TORX 5	24			
V100-000210	GASKET,CYL	2	V805-000130	BOLT, TORX 5	20			
V103-000210	GASKET,INTAKE	10	V805-000150	BOLT, TORX 5	22			
V103-000270	GASKET,INTAKE	10	V805-000150	BOLT, TORX 5	26			
V104-000780	GASKET,EXHAUST	16	V805-000150	BOLT, TORX 5	28			
V104-000790	GASKET,EXHAUST	16	V805-000160	BOLT, TORX 5	26			
V107-000190	GASKET,FUEL CAP	14	V805-000170	BOLT, TORX 5	20			