



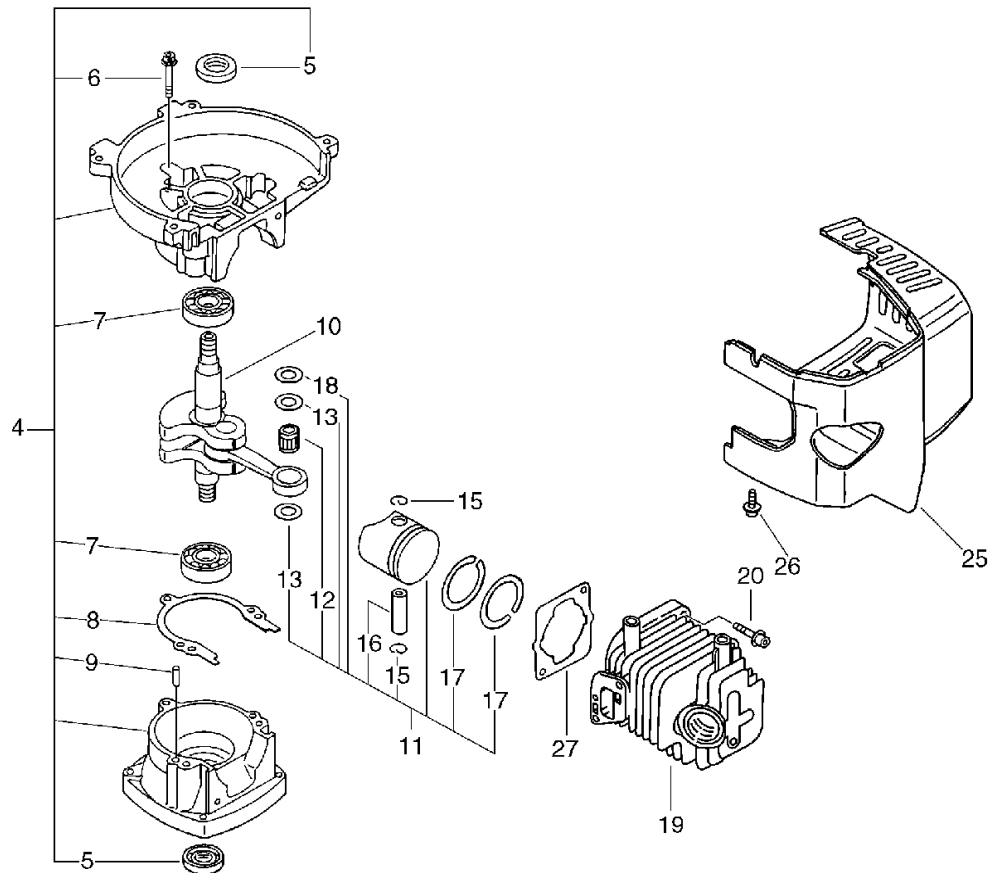
# **PARTS CATALOG**

## **HEDGE TRIMMER HCR-1500(6digits)(35)(36)**

- 36007912

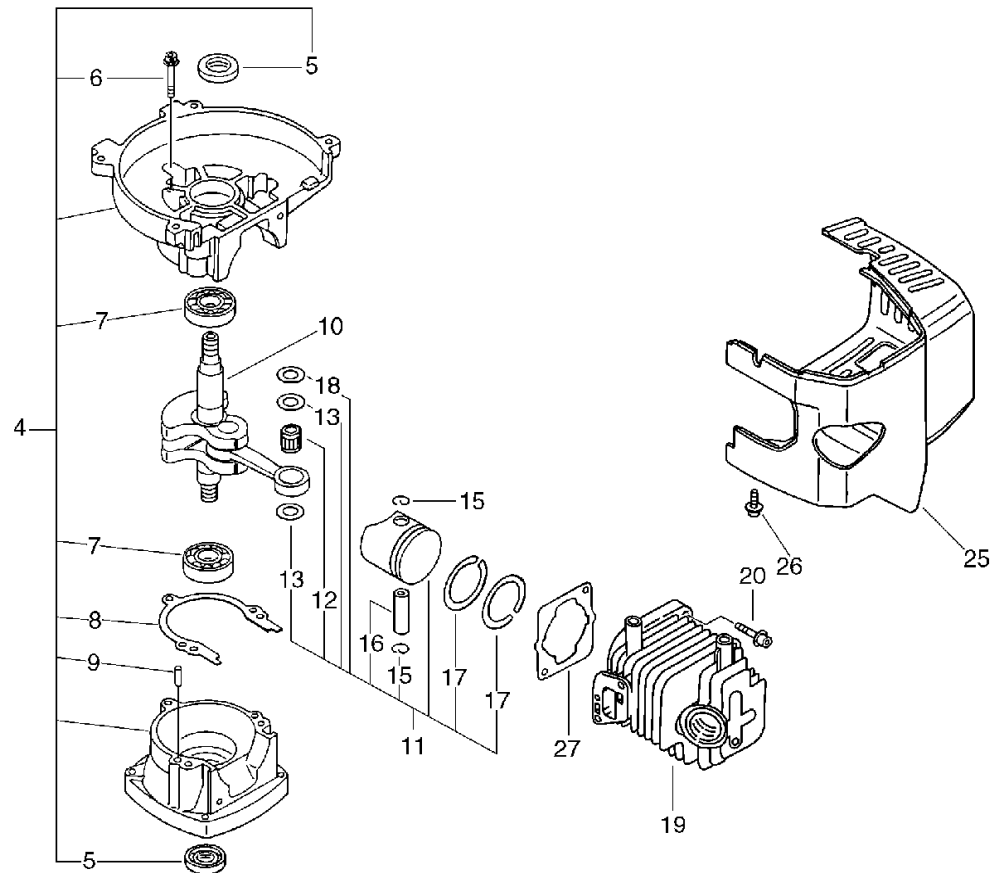
HCR-1500(6digits)(35)(36)

1. Cylinder, Crankcase, Piston(Sr/Nr 36005212 and before)



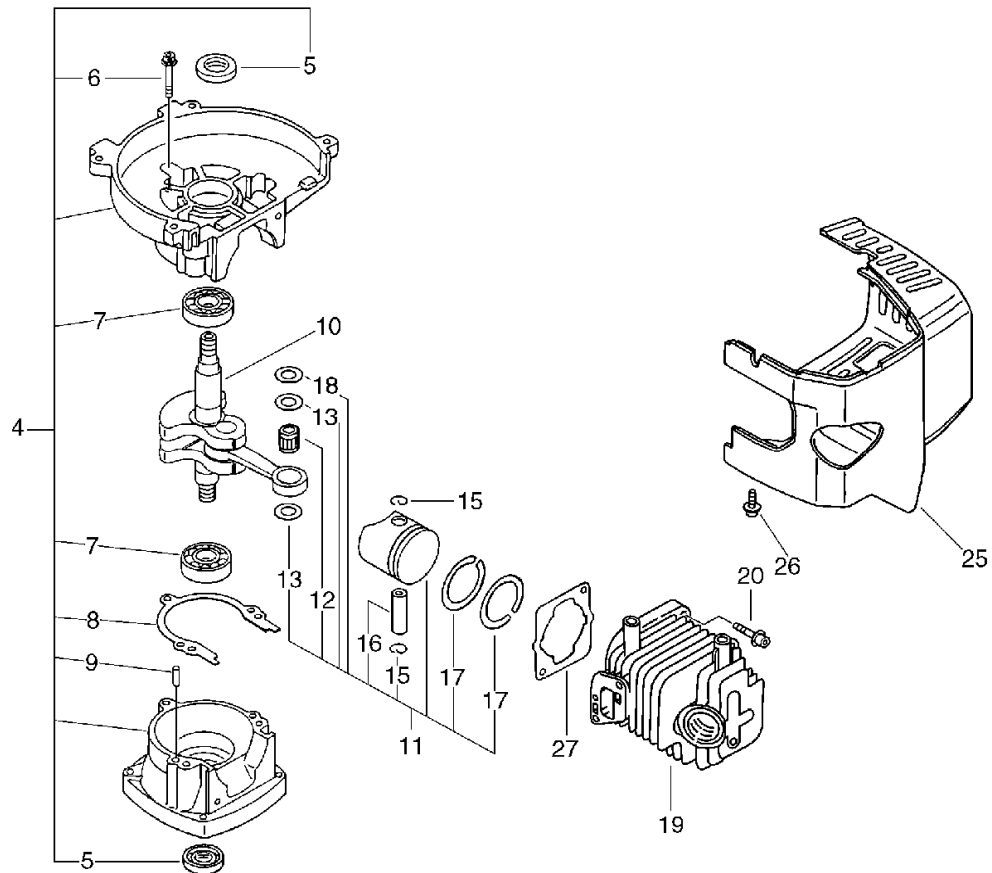
KEY	LV	PART NUMBER	Q'TY	DESCRIPTION	REMARKS	NOTE1	NOTE2
4		100204-05360	1	CRANKCASE KIT		Sus. by 100204-05361	
4		100204-05361	1	CRANKCASE KIT			
5	+	100212-42030	2	OILSEAL	ISCD12*22*4.5	Sus. by 100212-42031	
5	+	100212-42031	2	OILSEAL	ISCD 12*22*4.5		
6	+	900162-05028	3	BOLT, H.S. 5*28	5*28 W,SW		
7	+	900810-36201	2	BEARING, BALL 6201	6201/C3	Sus. by 94035-36201	
7	+	94035-36201	2	BEARING BALL	6201X3JR2C3		
8	+	100242-42030	1	GASKET, CRANKCASE			
9	+	100215-03930	2	PIN, DOWEL			
10		100100-06560	1	CRANKSHAFT ASSY		Sus. by 100100-06564	
10		100100-06561	1	CRANKSHAFT		Sus. by 100100-06564	
10		100100-06562	1	CRANKSHAFT		Sus. by 100100-06564	
10		100100-06563	1	CRANKSHAFT		Sus. by 100100-06564	
10		100100-06564	1	CRANKSHAFT			
11		100000-06962	1	PISTON KIT		Sus. by P021-001113	
11		P021-001111	1	PISTON KIT		Sus. by P021-001113	

## 1. Cylinder, Crankcase, Piston(Sr/Nr 36005212 and before)



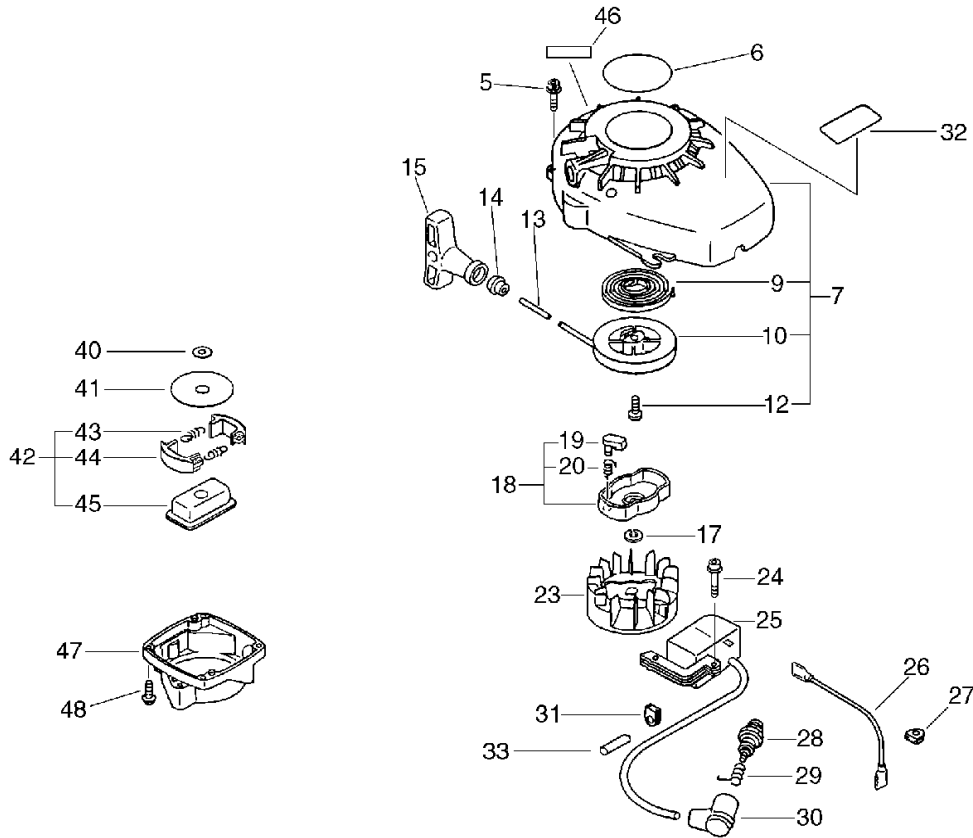
KEY	LV	PART NUMBER	Q'TY	DESCRIPTION	REMARKS	NOTE1	NOTE2
11		P021-001112	1	PISTON KIT		Sus. by P021-001113	
11		P021-001113	1	PISTON KIT			
12	+	100113-05930	1	BEARING, NEEDLE	8*12*8		
13	+	100014-08960	2	SPACER, PISTON PIN			
15	+	100015-04630	2	CIRCLIP, PISTON PIN			
16	+	100013-11520	1	PIN, PISTON			
17	+	100011-05330	2	RING, PISTON		Sus. by A101-000000	
17	+	A101-000000	2	RING, PISTON			
18	+	V306-000150	1	WASHER, CIRCULAR 8	8.2*13*0.8	Sr/Nr 36001001 and after	
19		101011-06562	1	CYLINDER			
20		900162-05022	2	BOLT, H.S. 5*22	5*22 W,SW		
25		101506-06560	1	COVER, CYLINDER		Sus. by 101506-06561	
25		101506-06561	1	COVER, CYLINDER		Sr/Nr 36005212 and before	
26		900162-04020	2	BOLT, H.S. 4*20	4*20 W,SW		
27		101010-44332	1	GASKET, CYL. BASE			

## 2. Cylinder, Crankcase, Piston(Sr/Nr 36005213 and after)



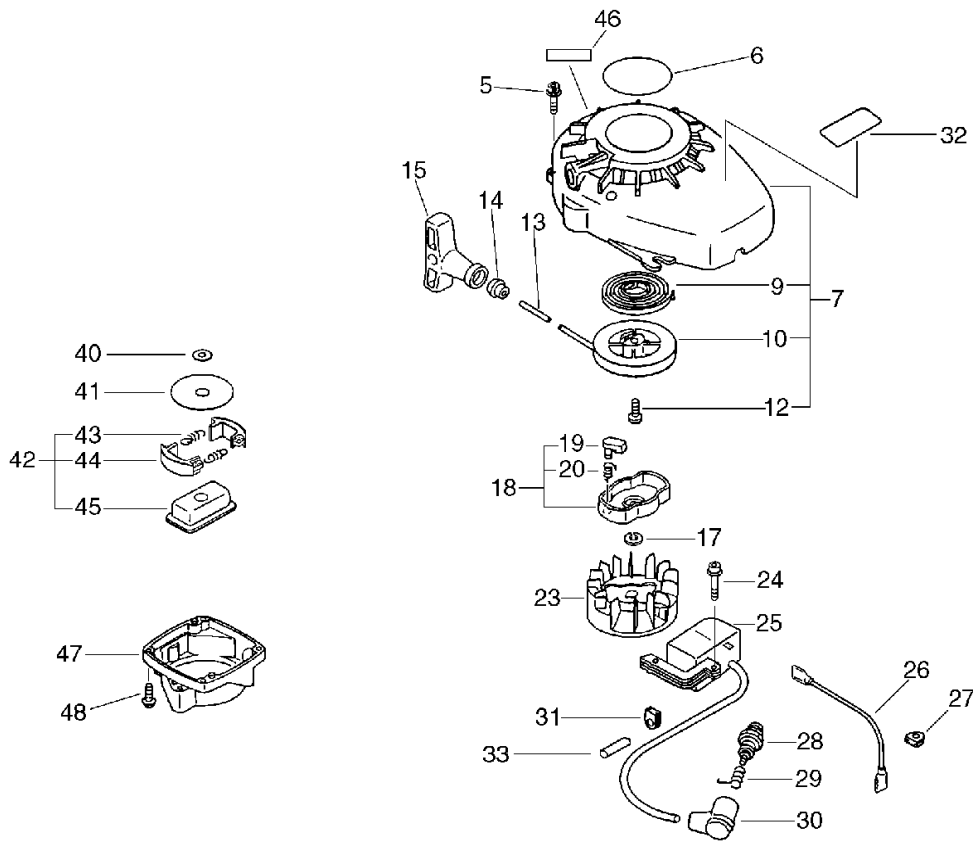
KEY	LV	PART NUMBER	Q'TY	DESCRIPTION	REMARKS	NOTE1	NOTE2
4		100204-05361	1	CRANKCASE KIT			
5	+	100212-42031	2	OILSEAL	ISCD 12*22*4.5		
6	+	900162-05028	3	BOLT, H.S. 5*28	5*28 W,SW		
7	+	94035-36201	2	BEARING BALL	6201X3JR2C3		
8	+	100242-42030	1	GASKET, CRANKCASE			
9	+	100215-03930	2	PIN, DOWEL			
10		100100-06564	1	CRANKSHAFT			
11		P021-001113	1	PISTON KIT			
12	+	100113-05930	1	BEARING, NEEDLE	8*12*8		
13	+	100014-08960	2	SPACER, PISTON PIN			
15	+	100015-04630	2	CIRCLIP, PISTON PIN			
16	+	100013-11520	1	PIN, PISTON			
17	+	A101-000000	2	RING, PISTON			
18	+	V306-000150	1	WASHER, CIRCULAR 8	8.2*13*0.8		
19		101011-06562	1	CYLINDER			
20		900162-05022	2	BOLT, H.S. 5*22	5*22 W,SW		
25		101506-05361	1	COVER, CYLINDER		Sr/Nr 36005213 and after	
26		900162-04020	2	BOLT, H.S. 4*20	4*20 W,SW		
27		101010-44332	1	GASKET, CYL. BASE			

**3. Starter, Magneto, Clutch(Sr/Nr 36005212 and before)**



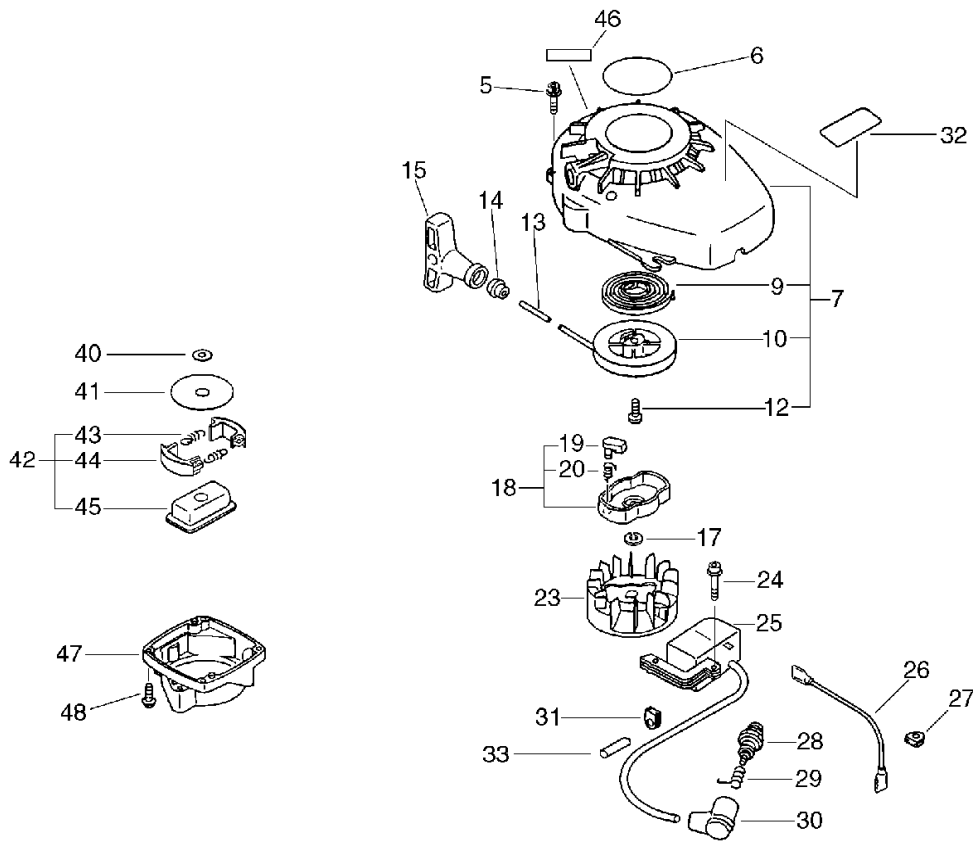
KEY	LV	PART NUMBER	Q'TY	DESCRIPTION	REMARKS	NOTE1	NOTE2
5		900162-04016	4	BOLT, H.S. 4*16	4*16 W,SW		
6		890118-49130	1	LABEL, ECHO		Sus. by 890112-25460	
6		890112-25460	1	LABEL, MODEL		Sus. by 890112-25461	
6		890112-25461	1	LABEL, MODEL		Sus. by X502-000330	
7		177200-06562	1	STARTER ASSY		Sus. by 177200-12220	
7		177200-12220	1	STARTER ASY		Sr/Nr 015205 and before	
7		177200-06562	1	STARTER ASSY		Sus. by 177200-06563	
7		177200-06563	1	STARTER ASSEMBLY		Sr/Nr 015206 to 36005212	
9	+	177220-42030	1	SPRING, REWIND			
10	+	177215-44430	1	DRUM, STARTER			
12	+	177236-44330	1	SCREW			
13	+	177226-05530	1	ROPE, STARTER	3*890		
14	+	177227-42030	1	GUIDE, ROPE			
15	+	177228-06530	1	GRIP, STARTER		Sus. by 177228-11120	
15	+	177228-11120	1	GRIP, STARTER		Sr/Nr 015205 and before	
15	+	177228-06530	1	GRIP, STARTER		Sr/Nr 015206 and after	

**3. Starter, Magneto, Clutch(Sr/Nr 36005212 and before)**



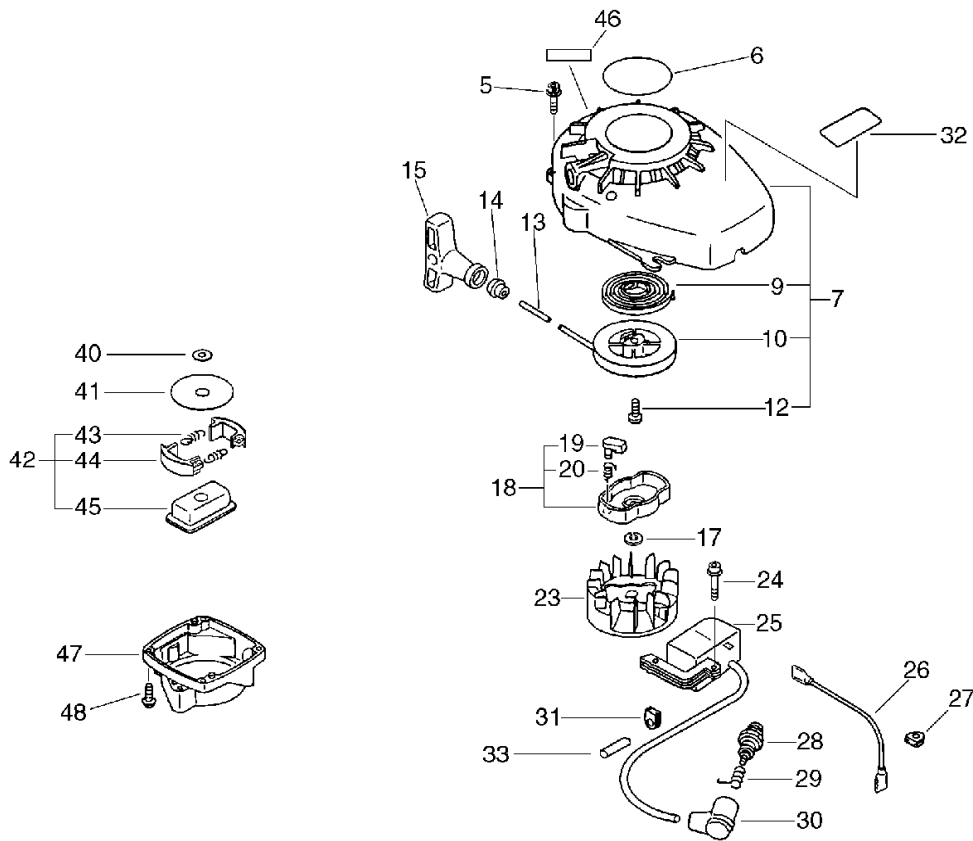
KEY	LV	PART NUMBER	Q'TY	DESCRIPTION	REMARKS	NOTE1	NOTE2
17		900605-00008	1	WASHER, SPRING 8	8		
18		177202-44330	1	PAWL ASSY, STARTER		Sus. by 177202-44331	
18		177202-44331	1	PAWL ASM., STARTER			
19	+	177218-44330	1	PAWL, STARTER	BLACK		
20	+	177234-42030	1	SPRING, RETURN			
23		156801-44330	1	FLYWHEEL		Sr/Nr 002780 and before	
23		156801-05360	1	ROTOR, MAGNETO		Sr/Nr 002781 and after	
24		900162-04022	2	BOLT, H.S. 4*22	4*22 W,SW		
25		156626-11820	1	COIL, IGNITION		Sr/Nr 002780 and before	
25		156601-52130	1	COIL, IGNITION		Sr/Nr 002781 and after	
25		A411-000080	1	COIL,IGNITION		Sr/Nr 015206 and after	
26		162021-52830	1	LEAD	275L	Sr/Nr 002781 and after	
27		156114-04920	1	GROMMET			
28		159017-12330	1	PLUG, SPARK (RCJ-8Y)	RCJ-8Y		
29		159011-03432	1	COIL, SPARK PLUG			
30		159012-03433	1	CAP, SPARK PLUG			
31		156110-04920	1	BUSHING			
32		890034-13360	1	LABEL, MODEL		Sus. by 890617-07660	

**3. Starter, Magneto, Clutch(Sr/Nr 36005212 and before)**



KEY	LV	PART NUMBER	Q'TY	DESCRIPTION	REMARKS	NOTE1	NOTE2
32		890617-07660	1	LABEL, CAUTION		Sus. by X503-008850	
33		V475-001900	1	TUBE	7*8.6*30		
40		175014-05360	1	WASHER, CLUTCH	8.2*19*3.2		
41		175019-04920	1	PLATE, CLUTCH			
42		175000-06560	1	CLUTCH ASSY			
43	+	175018-05960	2	SPRING, CLUTCH			
44	+	175009-05131	2	SHOE, CLUTCH			
45	+	175016-04920	1	HUB, CLUTCH			
46		890123-13360	1	LABEL, CAUTION			
47		175055-05360	1	HOUSING, CLUTCH		Sr/Nr 015206 and after	
48		900162-04016	2	BOLT, H.S. 4*16	4*16 W,SW	Sr/Nr 015206 and after	

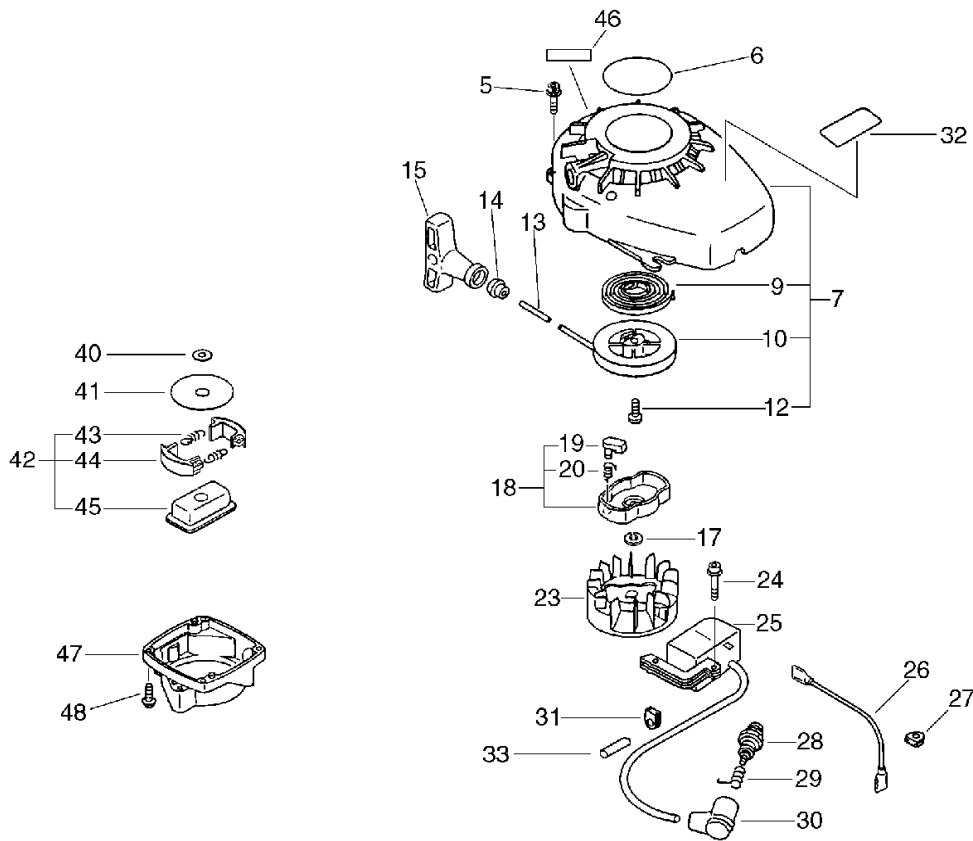
4. Starter, Magneto, Clutch(Sr/Nr 36005213 and after)



KEY	LV	PART NUMBER	Q'TY	DESCRIPTION	REMARKS	NOTE1	NOTE2
5		900162-04016	4	BOLT, H.S. 4*16	4*16 W,SW		
6		890112-25461	1	LABEL, MODEL		Sus. by X502-000330	
6		X502-000330	1	LABEL,ECHO	ECHO		
7		177200-05363	1	STARTER ASSEMBLY		Sr/Nr 36005213 and after	
9	+	177220-42030	1	SPRING, REWIND			
10	+	177215-44430	1	DRUM, STARTER			
12	+	177236-44330	1	SCREW			
13	+	177226-05530	1	ROPE, STARTER	3*890		
14	+	177227-42030	1	GUIDE, ROPE			
15	+	177228-06530	1	GRIP, STARTER			
17		900605-00008	1	WASHER, SPRING 8	8		
18		177202-44331	1	PAWL ASM., STARTER			
19	+	177218-44330	1	PAWL, STARTER	BLACK		
20	+	177234-42030	1	SPRING, RETURN			
23		156801-05360	1	ROTOR, MAGNETO			
24		900162-04022	2	BOLT, H.S. 4*22	4*22 W,SW		
25		A411-000080	1	COIL,IGNITION			
26		162021-52830	1	LEAD	275L		
27		156114-04920	1	GROMMET			
28		159017-12330	1	PLUG, SPARK (RCJ-8Y)	RCJ-8Y		
29		159011-03432	1	COIL, SPARK PLUG			
30		159012-03433	1	CAP, SPARK PLUG			
31		156110-04920	1	BUSHING			

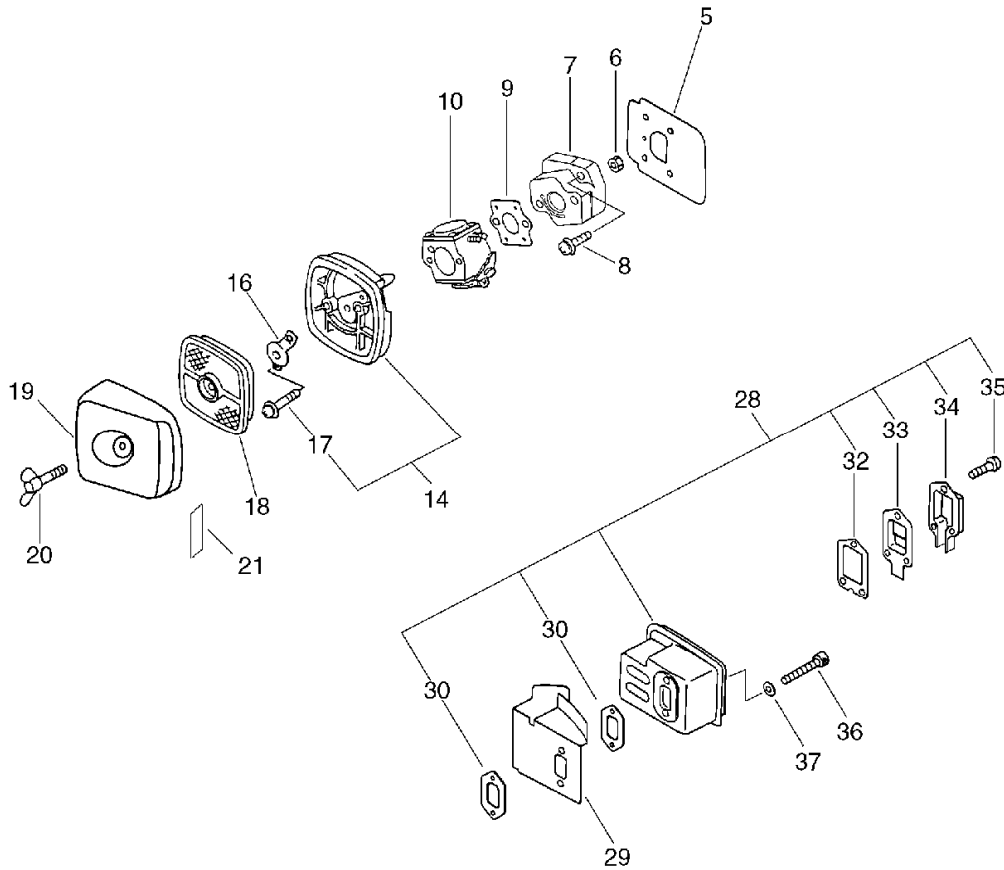


4. Starter, Magneto, Clutch(Sr/Nr 36005213 and after)



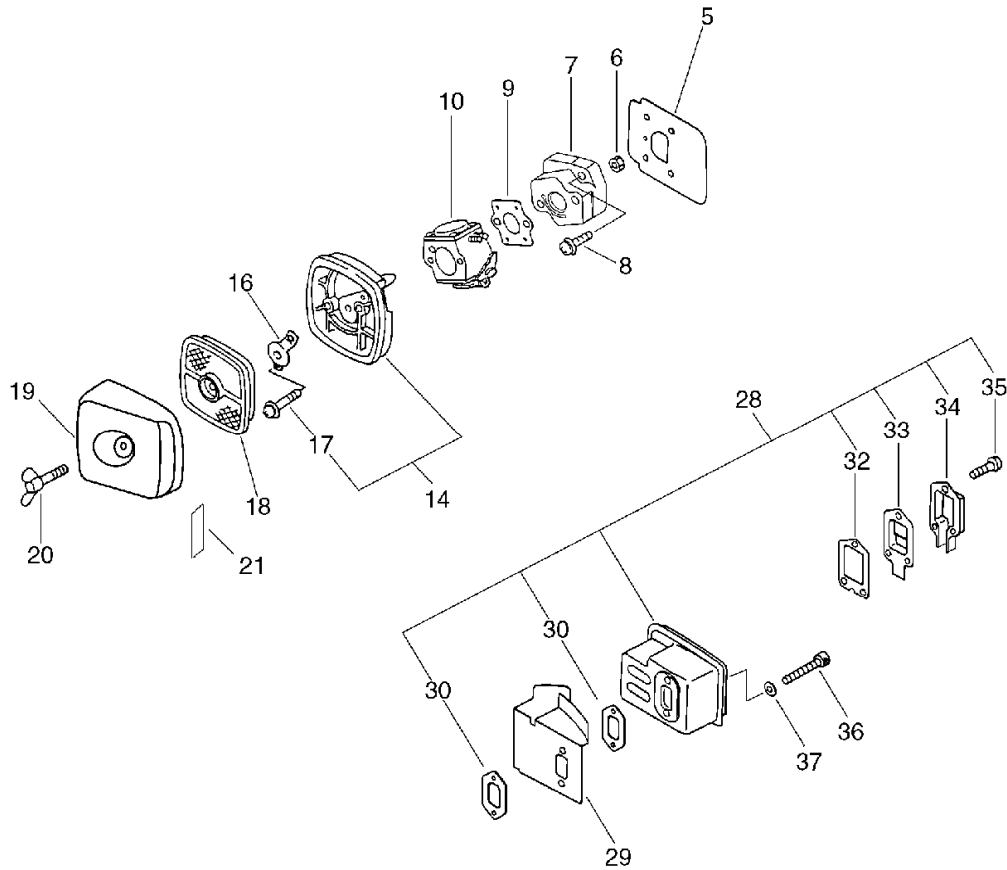
KEY	LV	PART NUMBER	Q'TY	DESCRIPTION	REMARKS	NOTE1	NOTE2
32		890617-07660	1	LABEL, CAUTION		Sus. by X503-008850	
32		X503-008850	1	LABEL,MODEL	HCR-1500		
33		V475-001900	1	TUBE	7*8.6*30		
40		175014-05360	1	WASHER, CLUTCH	8.2*19*3.2		
41		175019-04920	1	PLATE, CLUTCH			
42		175000-06560	1	CLUTCH ASSY			
43	+	175018-05960	2	SPRING, CLUTCH			
44	+	175009-05131	2	SHOE, CLUTCH			
45	+	175016-04920	1	HUB, CLUTCH			
46		890123-13360	1	LABEL, CAUTION			
47		175055-05360	1	HOUSING, CLUTCH			
48		900162-04016	2	BOLT, H.S. 4*16	4*16 W,SW		

5. Air Cleaner, Muffler(Sr/Nr 36005212 and before)



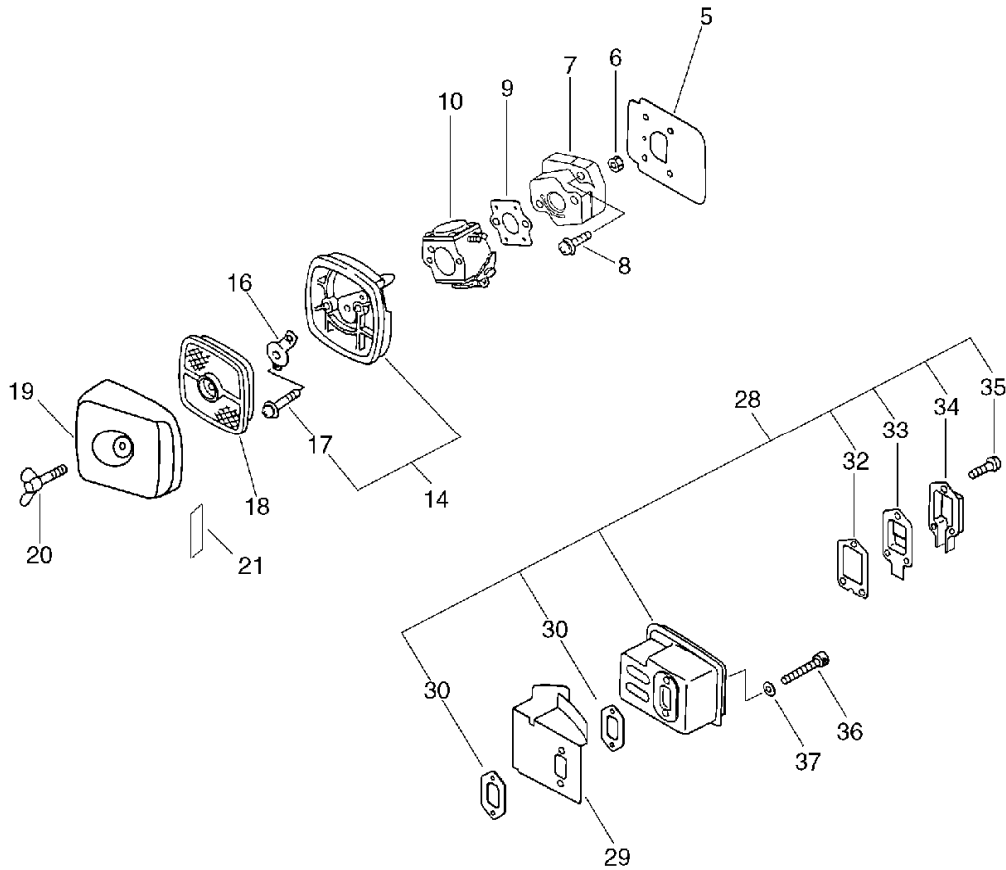
KEY	LV	PART NUMBER	Q'TY	DESCRIPTION	REMARKS	NOTE1	NOTE2
5		130010-42032	1	GASKET,INTAKE			
6		900500-00005	2	NUT 5	5		
7		130017-42031	1	INSULATOR, INTAKE			
8		900238-05020	2	SCREW 5*20	5*20		
9		130016-42031	1	GASKET, INTAKE			
10		125200-05961	1	CARBURETOR C1U-K51	C1U-K51	Sus. by 125200-05964	
10		125200-05962	1	CARBURETOR	C1U-K51	Sus. by 125200-05964	
10		125200-05963	1	CARBURETOR C1U-K51	C1U-K51	Sus. by 125200-05964	
10		125200-05964	1	CARBURETOR	C1U-K51		
14		130307-06561	1	CASE, AIR CLEANER		Sus. by P021-002921	
14		P021-002921	1	CASE, AIR CLEANER		Sr/Nr 36005212 and before	
17	+	900242-05065	2	SCREW 5*65	5*65		
16		129011-52730	1	PLATE, PREVENT			
18		130310-54130	1	FILTER, AIR			
19		130313-06563	1	LID, AIR CLEANER		Sr/Nr 36005212 and before	
20		210417-52730	1	BOLT, WING	5*20		
21		890121-05360	1	LABEL, METERING			
29		145871-05360	1	COVER, MUFFLER			
28		145802-05360	1	MUFFLER ASSY		Sus. by 145802-05361	

5. Air Cleaner, Muffler(Sr/Nr 36005212 and before)



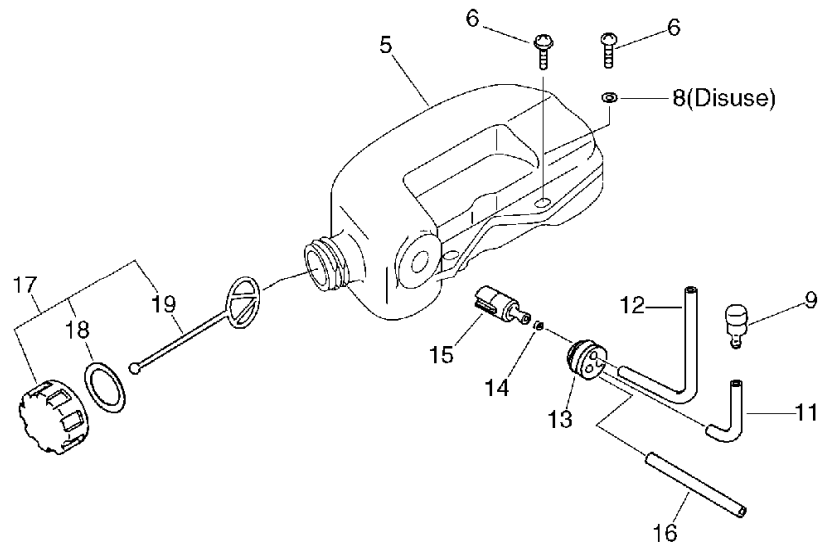
KEY	LV	PART NUMBER	Q'TY	DESCRIPTION	REMARKS	NOTE1	NOTE2
28		145802-05361	1	MUFFLER ASY (SAM)			
30	+	145510-42031	2	GASKET, MUFFLER		Sus. by V104-000160	
30	+	145510-42032	2	GASKET, MUFFLER		Sus. by V104-000160	
30	+	V104-000160	2	GASKET, EXHAUST			
32	+	145866-42031	1	GASKET, MUFFLER LID			
33	+	145876-42030	1	LID, MUFFLER (B)			
34	+	145863-06560	1	GUIDE, EXHAUST		Sus. by A313-000010	
34	+	A313-000010	1	GUIDE, EXH	ID#4000		
35	+	900242-04010	3	SCREW 4*10	4*10		
36		900105-05050	2	BOLT, H.S. 5*50	5*50		
37		900600-00005	2	WASHER 5	5		

## 6. Air Cleaner, Muffler(Sr/Nr 36005213 and after)



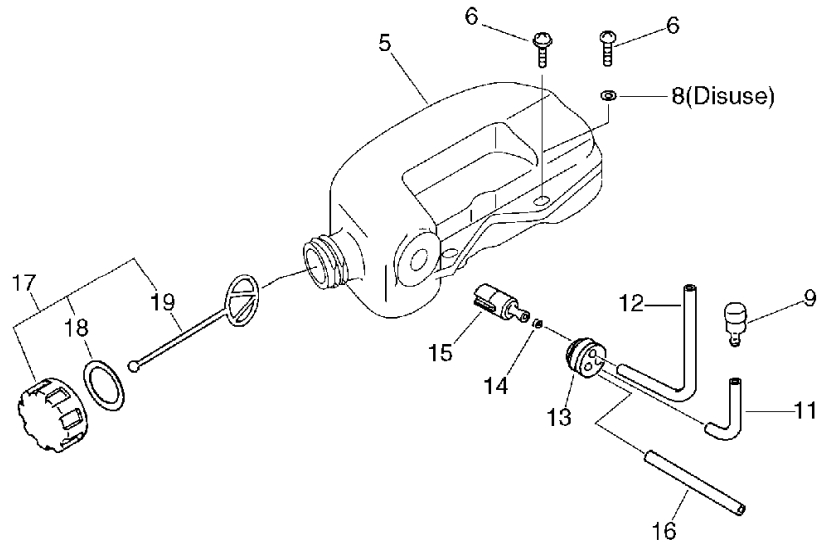
KEY	LV	PART NUMBER	Q'TY	DESCRIPTION	REMARKS	NOTE1	NOTE2
5		130010-42032	1	GASKET,INTAKE			
6		900500-00005	2	NUT 5	5		
7		130017-42031	1	INSULATOR, INTAKE			
8		900238-05020	2	SCREW 5*20	5*20		
9		130016-42031	1	GASKET, INTAKE			
10		125200-05964	1	CARBURETOR	C1U-K51		
14		P021-010350	1	CASE,CLEANER ASY		Sr/Nr 36005213 and after	
17	+	900242-05065	2	SCREW 5*65	5*65		
16		129011-52730	1	PLATE, PREVENT			
18		130310-54130	1	FILTER, AIR			
19		130313-05863	1	LID, AIR CLEANER		Sr/Nr 36005213 and after	
20		210417-52730	1	BOLT, WING	5*20		
21		890121-05360	1	LABEL, METERING			
29		145871-05360	1	COVER, MUFFLER			
28		145802-05361	1	MUFFLER ASY (SAM)			
30	+	V104-000160	2	GASKET,EXHAUST			
32	+	145866-42031	1	GASKET, MUFFLER LID			
33	+	145876-42030	1	LID, MUFFLER (B)			
34	+	A313-000010	1	GUIDE,EXH	ID#4000		
35	+	900242-04010	3	SCREW 4*10	4*10		
36		900105-05050	2	BOLT, H.S. 5*50	5*50		
37		900600-00005	2	WASHER 5	5		

## 7. Fuel Tank

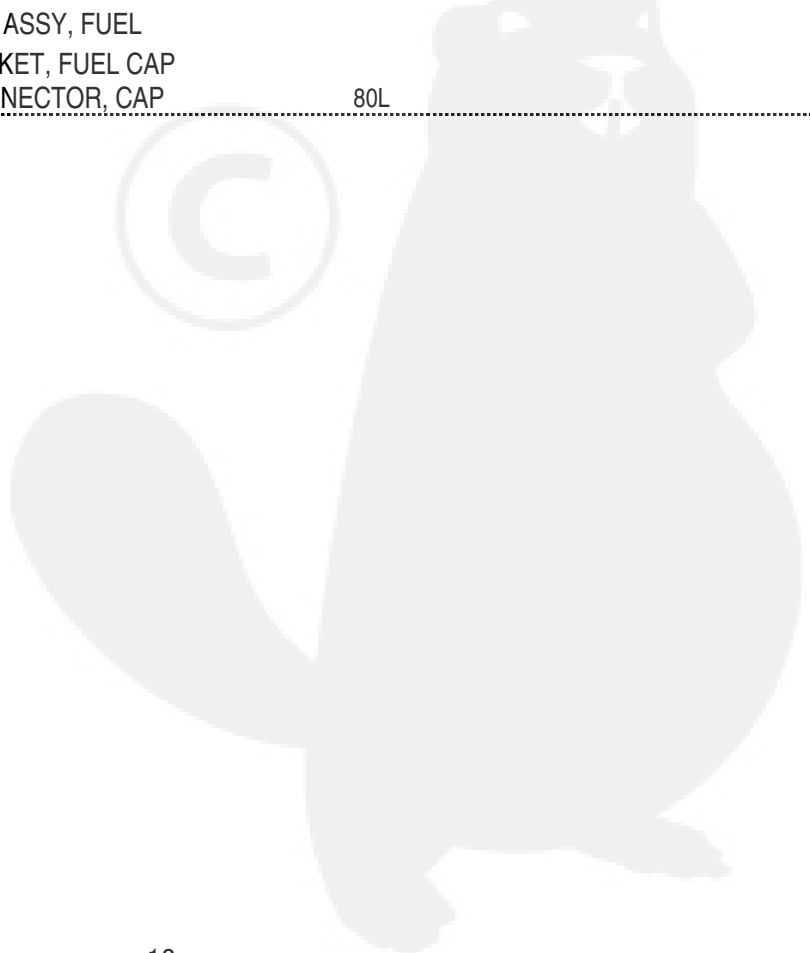


KEY	LV	PART NUMBER	Q'TY	DESCRIPTION	REMARKS	NOTE1	NOTE2
5		131005-05360	1	TANK, FUEL		Sus.by A350-000272	
5		131005-05361	1	TANK, FUEL		Sus.by A350-000272	
5		A350-000270	1	TANK,FUEL		Sus.by A350-000272	
5		A350-000271	1	TANK,FUEL		Sus.by A350-000272	
5		A350-000272	1	TANK,FUEL		Sus.by A350-000272	
6		900238-05016	2	SCREW 5*16	5*16	Sus.by 900239-05016	
6		900239-05016	2	SCREW 5*16	5*16		
8		900603-00005	2	WASHER 5	5.5*12*0.8	Disuse	
9		131300-56430	1	VALVE, CHECK			
11		131312-39130	1	PIPE	3*5*70(+3)NBR	Sus.by V471-001200	
11		131312-44330	1	PIPE, 3*5*70L	3*5*70L NBR	Sus.by V471-001200	
11		V471-001200	1	PIPE	3*5*70 NBR		
12		132010-07530	1	PIPE, FUEL	3*5*195L	Sus.by V470-000580	
12		V470-000580	1	PIPE	3*5*195		
13		132115-46730	1	GROMMET, FUEL			
14		132013-09820	1	CLIP	6MM		
15		131205-07320	1	STRAINER, FUEL			
16		132010-06460	1	PIPE 3* 6*110	3*6*110 YL		

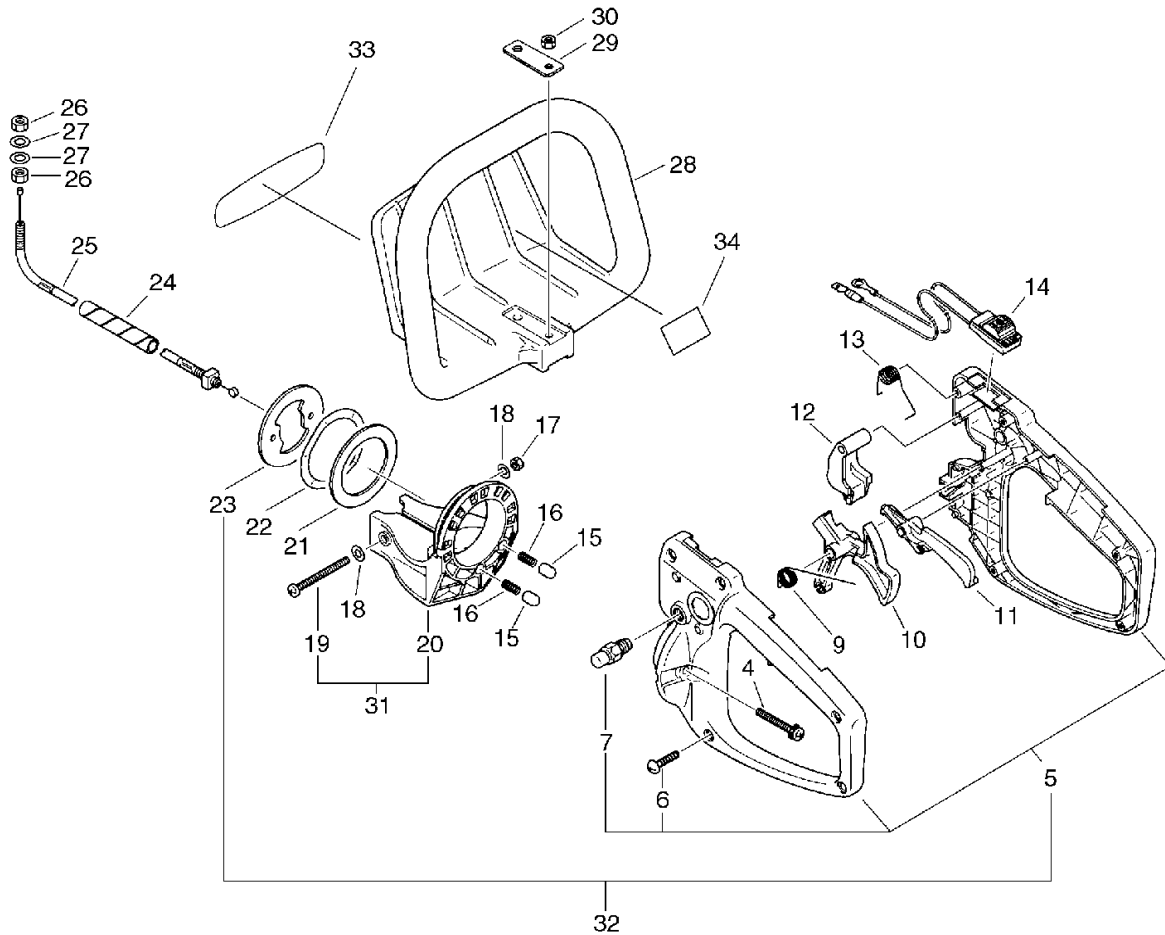
7. Fuel Tank



KEY	LV	PART NUMBER	Q'TY	DESCRIPTION	REMARKS	NOTE1	NOTE2
17		131004-08960	1	CAP ASSY, FUEL			
18	+	131016-55830	1	GASKET, FUEL CAP			
19	+	131051-52430	1	CONNECTOR, CAP	80L		

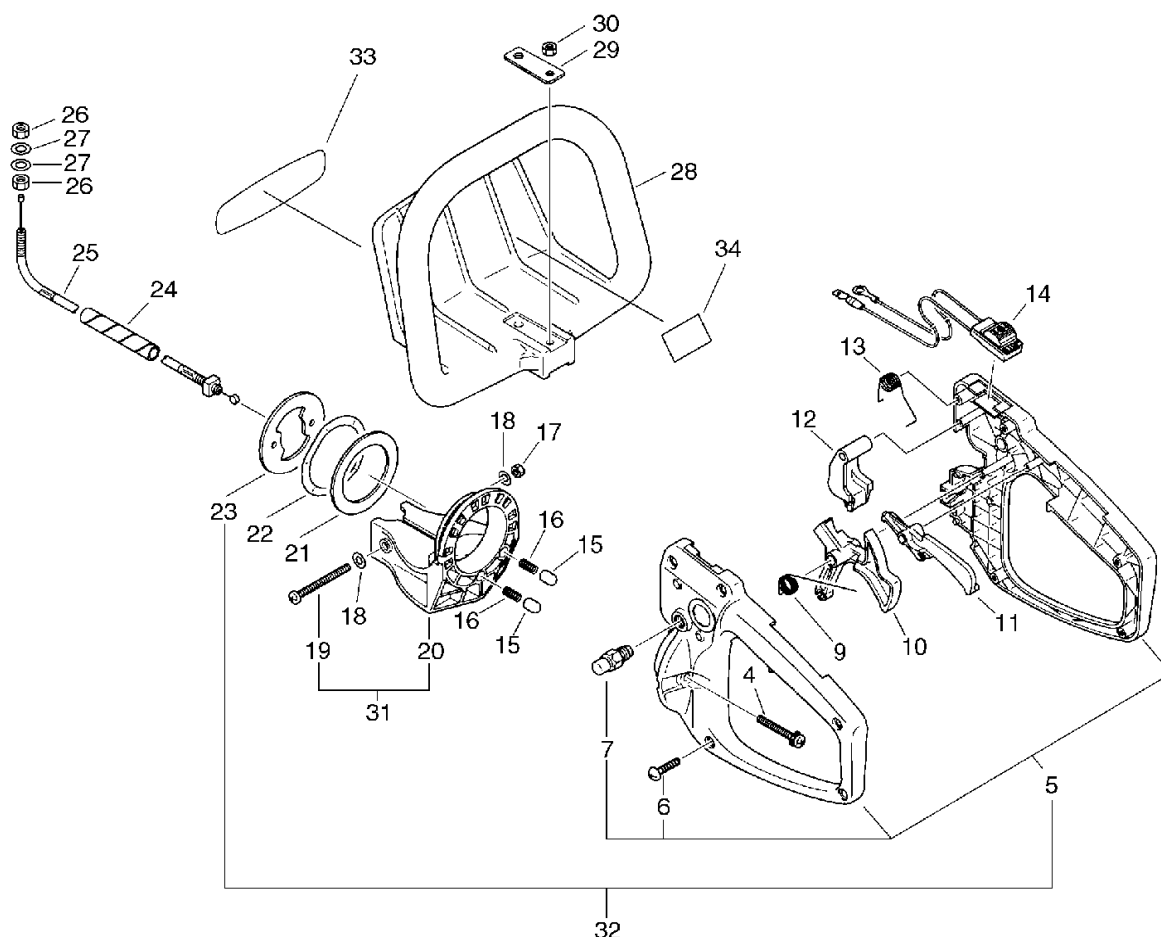


## 8. Handle(Sr/Nr 36005212 and before)



KEY	LV	PART NUMBER	Q'TY	DESCRIPTION	REMARKS	NOTE1	NOTE2
4		900238-05030	2	SCREW 5*30	5*30		
5		351100-13360	1	HANDLE SET, REAR		Sus. by 351101-13360	
32		351101-13360	1	HANDLE SET, REAR			
5	+	351100-13361	1	HANDLE SET, REAR		Sr/Nr 002331 and after	
6	++	900256-04016	5	SCREW 4*16	4*16		
7	++	178302-13360	1	LATCH ASY			
23	+	351313-13361	1	BRACKET, HANDLE			
8		890157-06560	1	LABEL, SWITCH		Sus. by 890157-39130	
8		890157-39130	1	LABEL, SWITCH		Disuse	
9		178013-13660	1	SPRING, TORSION			
10		178010-13360	1	TRIGGER, THROTTLE		Sus. by 178010-13361	
10		178010-13361	1	TRIGGER, THROTTLE			
11		178012-13360	1	LOCKOUT, THROTTLE			
12		351648-13360	1	STOPPER, HANDLE			
13		178043-13660	1	SPRING, TORSION			
14		163400-13360	1	SWITCH, ON OFF			
15		605611-13360	2	PIN			
16		178043-13360	2	SPRING			
17		900560-00005	2	NUT, LOCK 5	5		
18		900602-00005	4	WASHER 5	5.3*10*1	Sus. by 900600-00005	
18		900600-00005	4	WASHER 5	5		

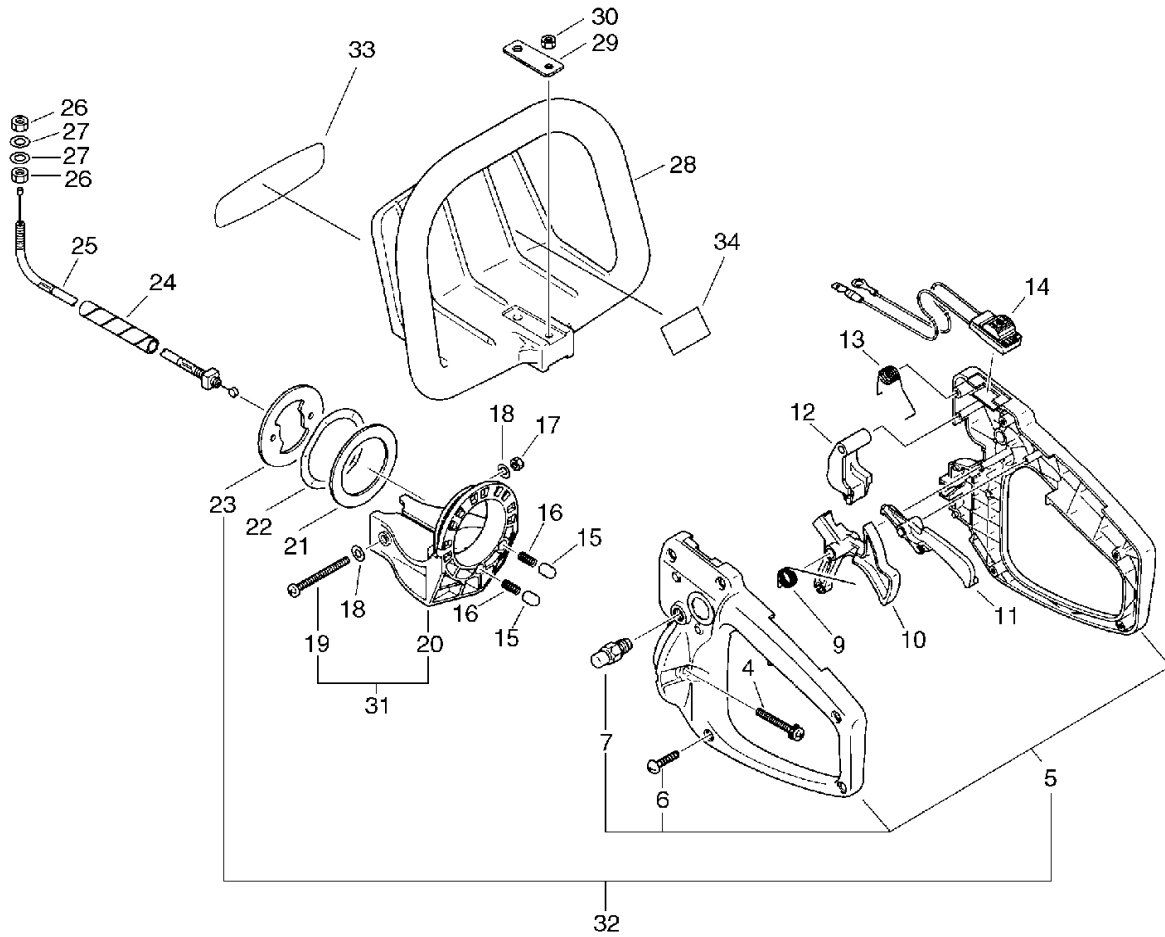
## 8. Handle(Sr/Nr 36005212 and before)



KEY	LV	PART NUMBER	Q'TY	DESCRIPTION	REMARKS	NOTE1	NOTE2
19		900220-05042	2	SCREW 5*42	5*42	Sr/Nr 002330 and before	
20		351312-13360	1	FIXTURE, HANDLE		Sus. by 351312-13360	
31		351308-13360	1	FIXTURE, HANDLE			
19	+	900220-05045	2	SCREW 5*45	5*45	Sr/Nr 002331 and after	
20	+	351312-13361	1	BRACKET, HANDLE		Sr/Nr 002331 and after	
21		689025-13360	1	SHIM		Sus. by 689025-13361	
21		689025-13361	1	WASHER,CIRCUAR			
22		178129-13360	1	WASHER		Sus. by 178129-13361	
22		178129-13361	1	WASHER			
23		351313-13360	1	FIXTURE, HANDLE		Sus. by 351313-13361	
24		178127-13360	1	TUBE	8*11*65L	Sus. by 178127-13361	
24		178127-13361	1	TUBE	8*11*50		
25		178001-13360	1	CABLE, THROTTLE			
26		900502-00006	2	NUT 6 (3N)	3N6		
27		900600-00006	2	WASHER 6	6		
28		351610-05360	1	HANDLE, FRONT			
29		351611-05360	1	WASHER			
30		900560-00005	1	NUT, LOCK 5	5		

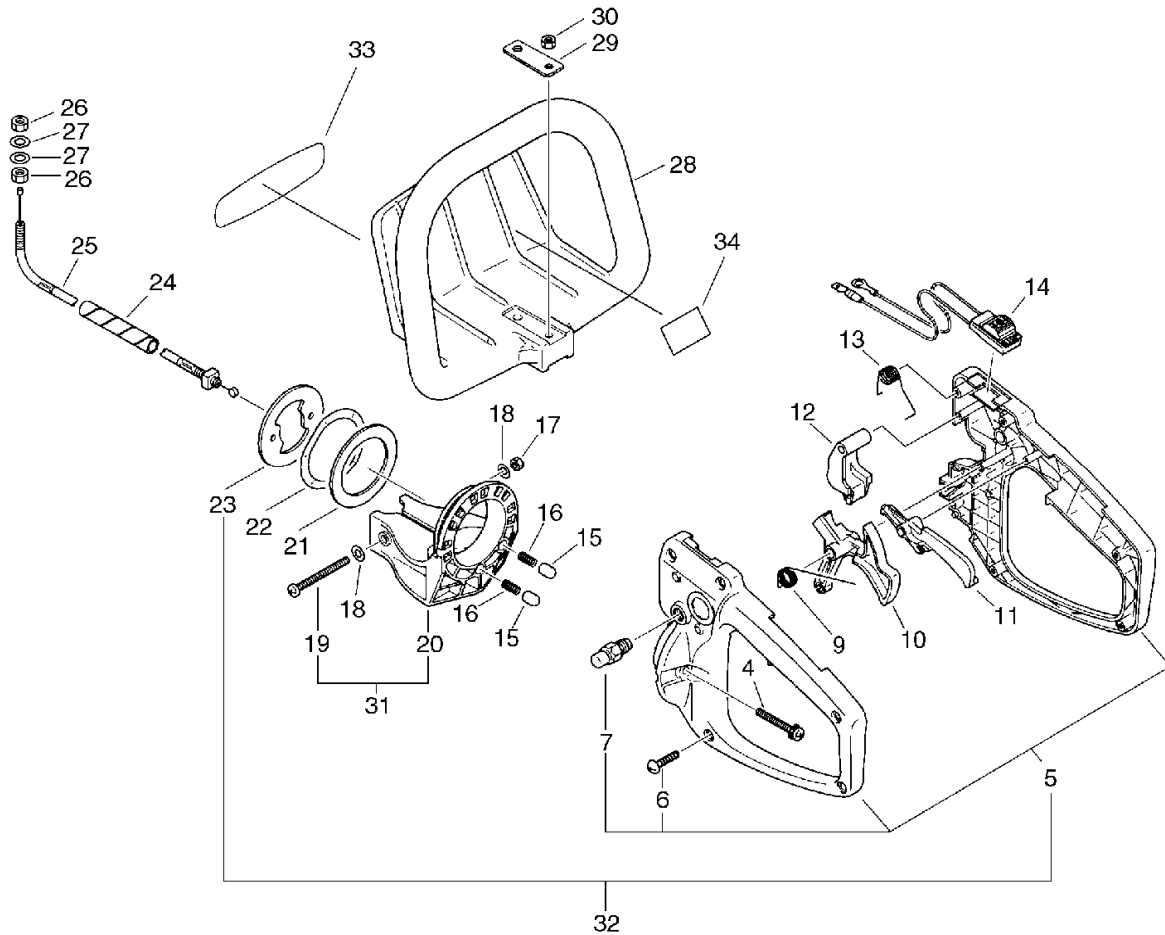


8. Handle(Sr/Nr 36005212 and before)



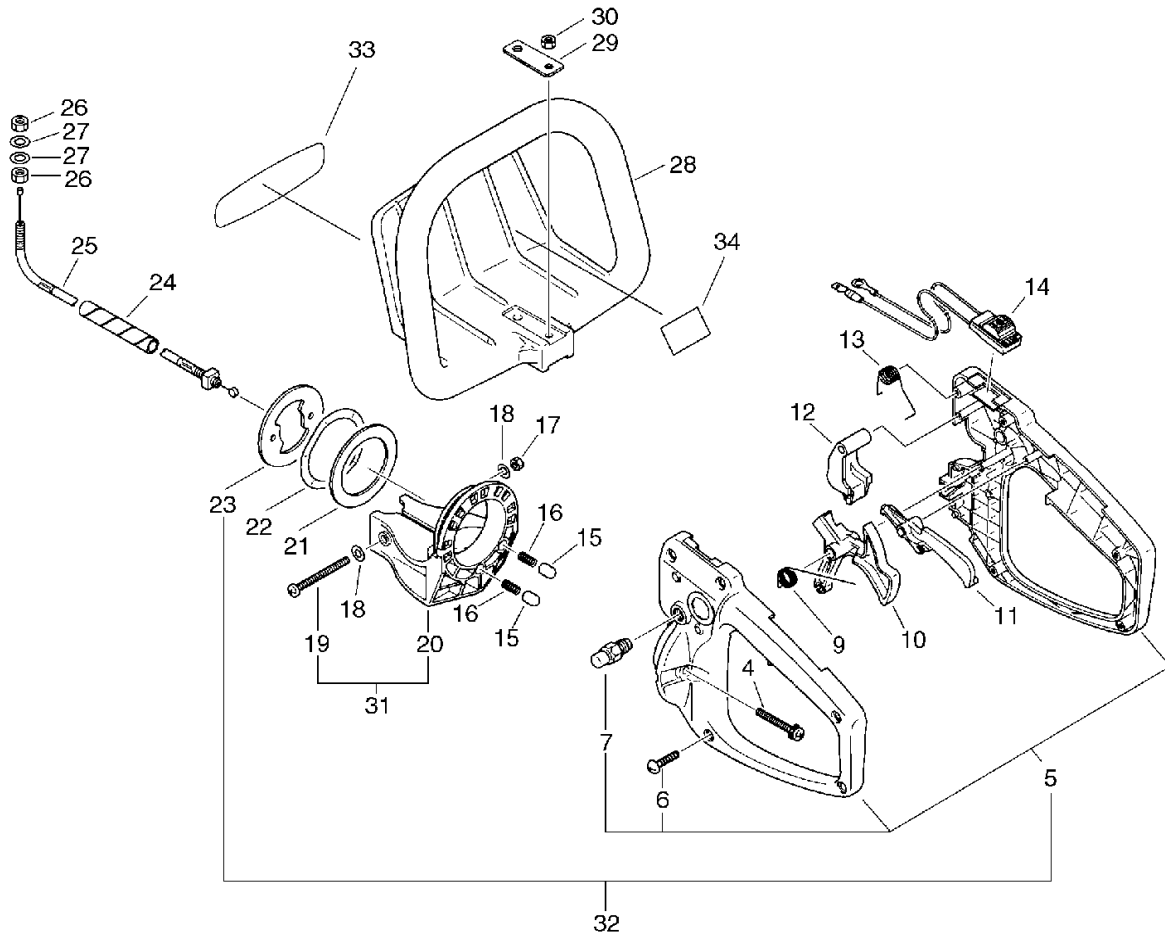
KEY	LV	PART NUMBER	Q'TY	DESCRIPTION	REMARKS	NOTE1	NOTE2
33		X502-000260	1	LABEL,ECHO	100*26.9	Sus. by X502-000430	

## 9. Handle(Sr/Nr 36005213 and after)



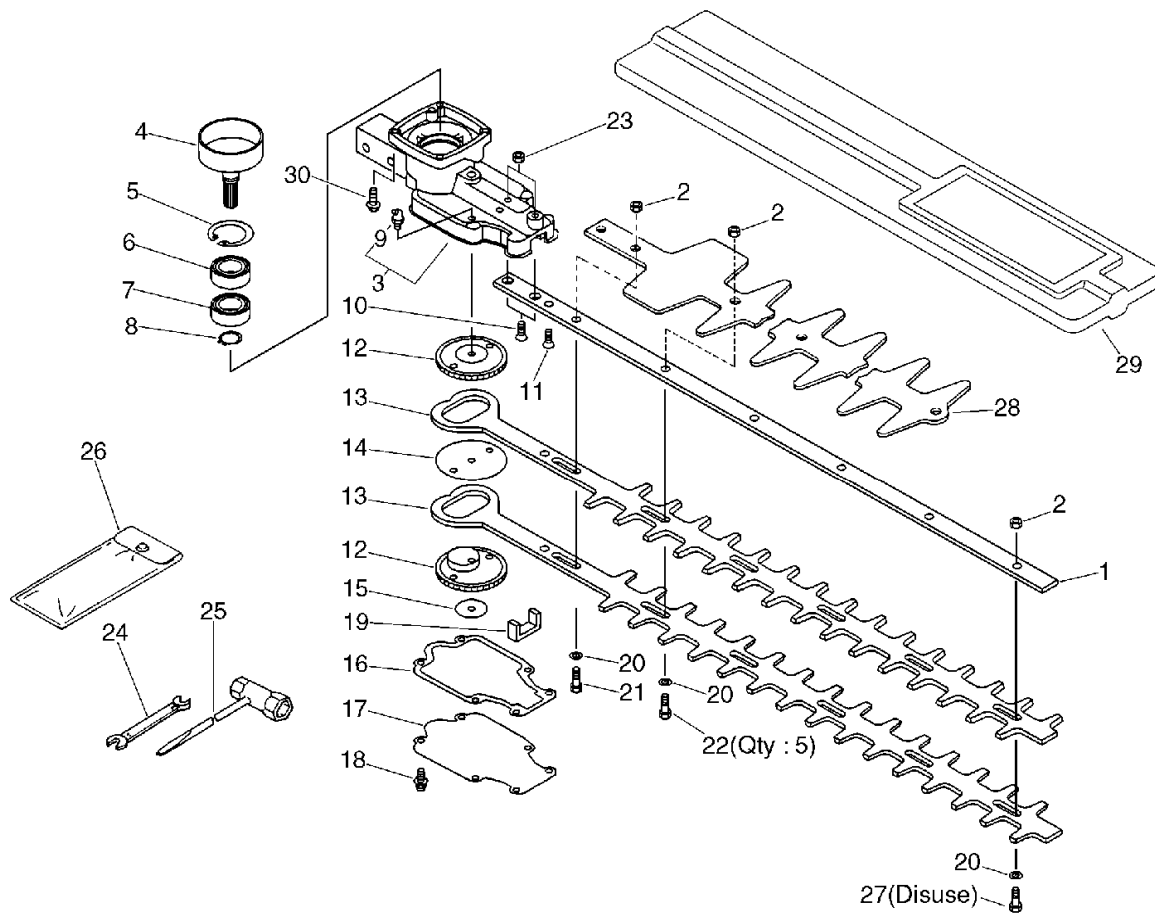
KEY	LV	PART NUMBER	Q'TY	DESCRIPTION	REMARKS	NOTE1	NOTE2
4		900238-05030	2	SCREW 5*30	5*30		
32		351101-13360	1	HANDLE SET, REAR			
5	+	351100-13361	1	HANDLE SET, REAR			
6	++	900256-04016	5	SCREW 4*16	4*16		
7	++	178302-13360	1	LATCH ASY			
23	+	351313-13361	1	BRACKET, HANDLE			
9		178013-13660	1	SPRING, TORSION			
10		178010-13361	1	TRIGGER, THROTTLE			
11		178012-13360	1	LOCKOUT, THROTTLE			
12		351648-13360	1	STOPPER, HANDLE			
13		178043-13660	1	SPRING, TORSION			
14		163400-13360	1	SWITCH, ON OFF			
15		605611-13360	2	PIN			
16		178043-13360	2	SPRING			
17		900560-00005	2	NUT, LOCK 5	5		
18		900600-00005	4	WASHER 5	5		
31		351308-13360	1	FIXTURE, HANDLE			
19	+	900220-05045	2	SCREW 5*45	5*45		
20	+	351312-13361	1	BRACKET, HANDLE			
21		689025-13361	1	WASHER, CIRCULAR			
22		178129-13361	1	WASHER			
24		178127-13361	1	TUBE	8*11*50		
25		178001-13360	1	CABLE, THROTTLE			
26		900502-00006	2	NUT 6 (3N)	3N6		
27		900600-00006	2	WASHER 6	6		
28		351610-05360	1	HANDLE, FRONT			

9. Handle(Sr/Nr 36005213 and after)



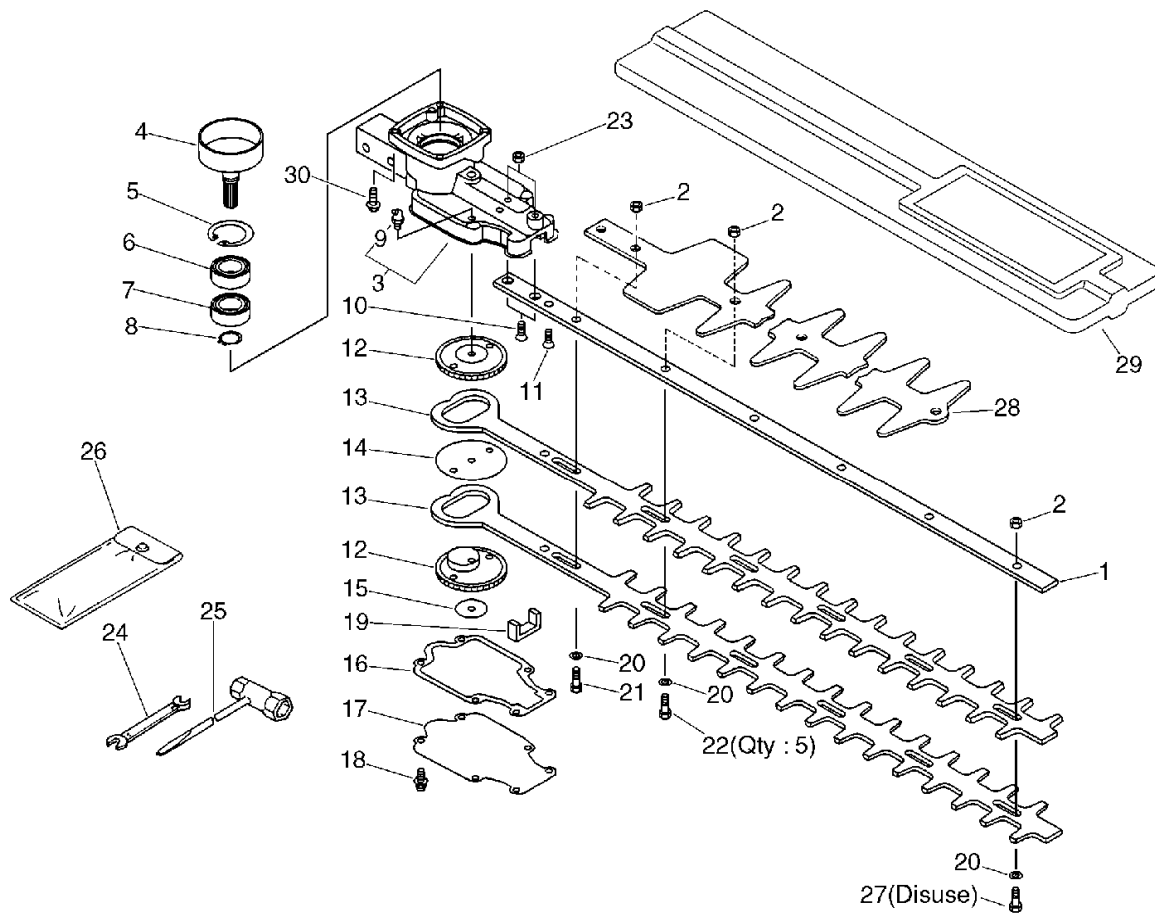
KEY	LV	PART NUMBER	Q'TY	DESCRIPTION	REMARKS	NOTE1	NOTE2
29		351611-05360	1	WASHER			
30		900560-00005	1	NUT, LOCK 5	5		
33		X502-000260	1	LABEL,ECHO	100*26.9	Sus. By X502-000430	
33		X502-000430	1	LABEL,ECHO			
34		X505-002030	1	LABEL,CAUTION	37*35		

## 10. Gear Case, Cutter, Tools (Sr/Nr 015205 and before)



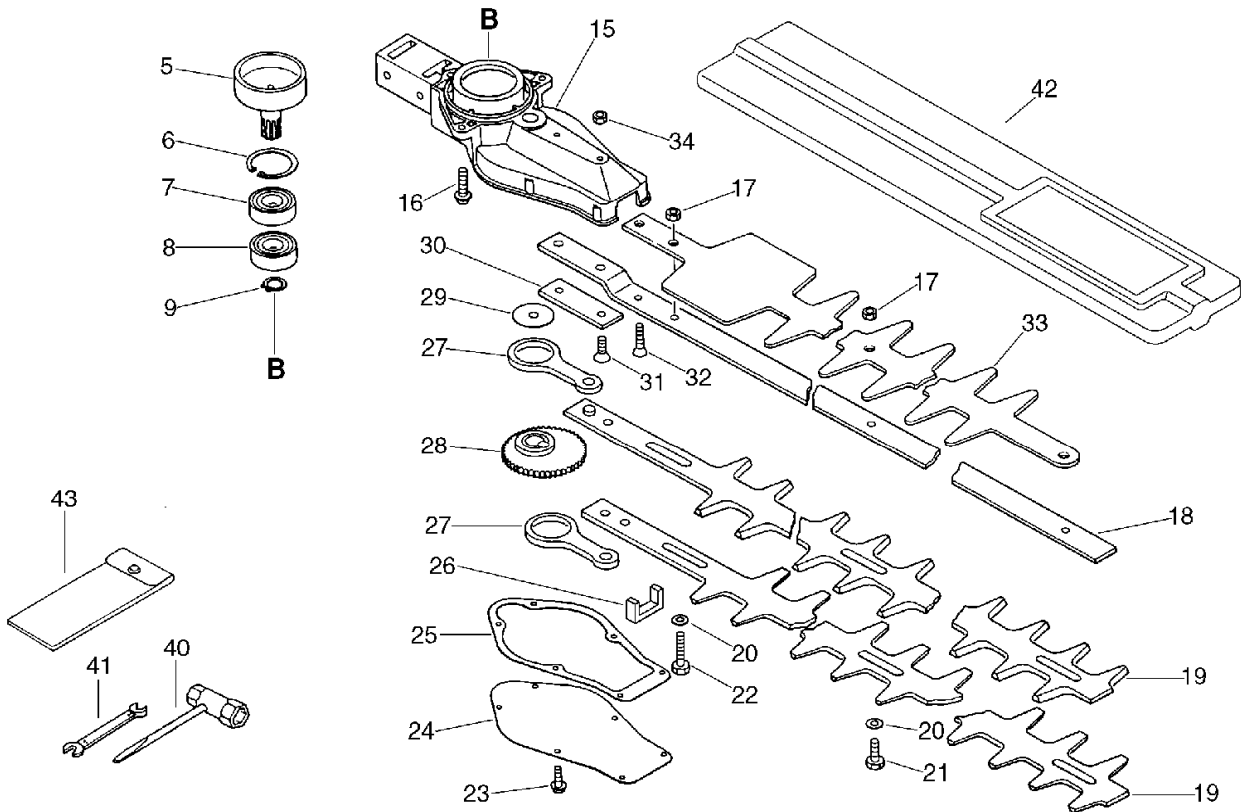
KEY	LV	PART NUMBER	Q'TY	DESCRIPTION	REMARKS	NOTE1	NOTE2
1		699117-06560	1	SUPPORT, CUTTER		Sus. by X425-000010	
1		X425-000010	1	SUPPORT,CUTTER	HC-1500		
2		433022-06460	6	NUT			
3		610407-06560	1	CASE, GEAR			
9	+	880110-54230	1	NIPPLE, GREASE			
4		175005-06560	1	DRUM, CLUTCH			
5		900702-00035	1	CIRCLIP 35	CR-35		
6		900872-36202	1	BEARING, BALL 6202	6202		
7		900870-36202	1	BEARING, BALL 6202	6202/3		
8		900701-00014	1	CIRCLIP 14	CS-14		
10		900212-06030	2	SCREW			
11		900212-05030	1	SCREW (5*30*P0.8)	+SF5*30		
12		610312-06560	2	GEAR, SPUR		Sus. by V650-000080	
12		V650-000080	2	GEAR,SPUR			
13		697010-06560	2	CUTTER		Sus. by X411-000270	
13		X411-000020	2	CUTTER	HC-1500	Sus. by X411-000270	
13		X411-000270	2	CUTTER	L=716		
14		689025-05360	1	WASHER 6.7*54*0.38			
15		689025-06560	1	WASHER 6.5*30*0.2			
16		610414-06560	1	GASKET, GEAR HOUSING			
17		610411-06560	1	LID, GEARCASE			
18		900162-04012	6	BOLT, H.S. 4*12	4*12 W,SW		

## 10. Gear Case, Cutter, Tools (Sr/Nr 015205 and before)



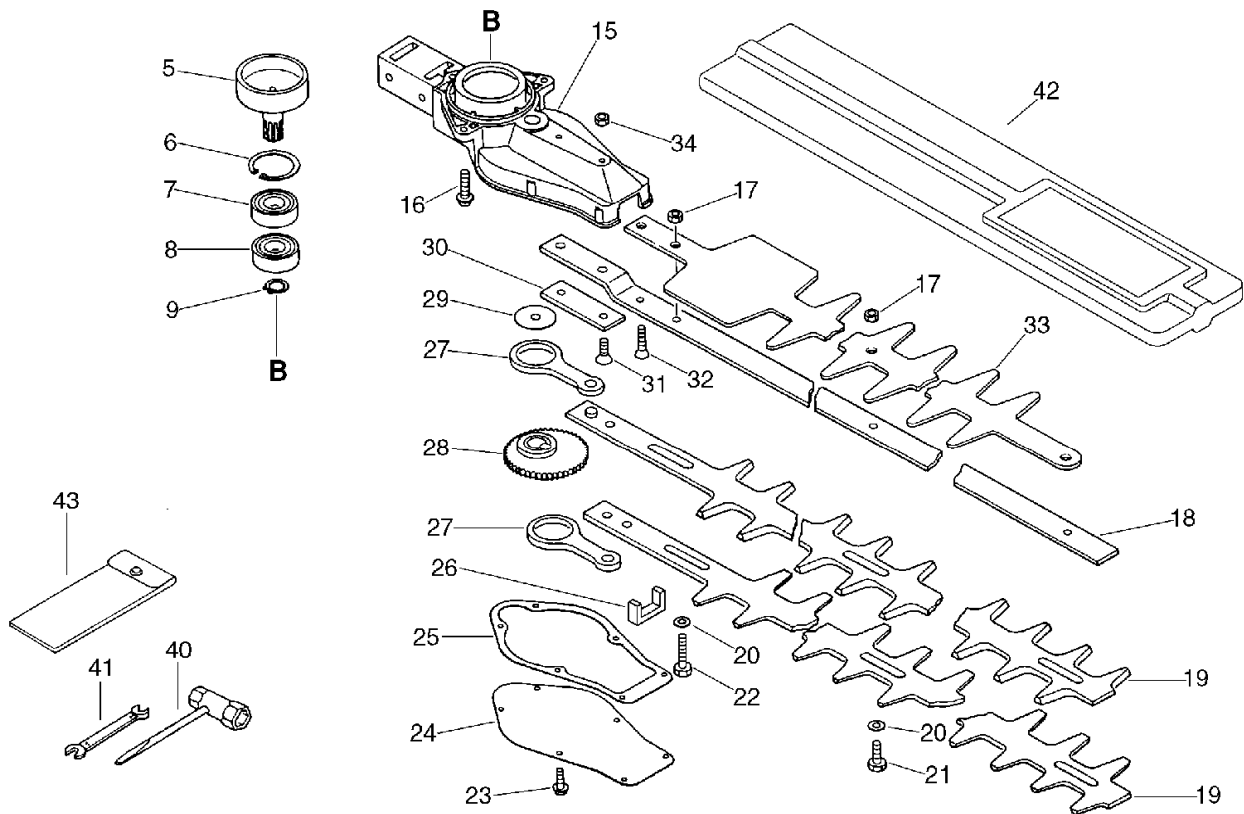
KEY	LV	PART NUMBER	Q'TY	DESCRIPTION	REMARKS	NOTE1	NOTE2
19		610426-06560	1	SEAL			
20		699118-04560	6	WASHER			
21		699115-06560	1	BOLT, CUTTER			
22		699115-04660	4	BOLT 6	6*18L	Sus. by Qty5	
22		699115-04660	5	BOLT 6	6*18L		
23		900500-00006	2	NUT 6	6		
24		895112-00330	1	SPANNER 8*10			
25		895410-00430	1	WRENCH, W/S. DRIVER			
26		898510-39130	1	BAG, TOOL			
27		699113-06560	1	BOLT 6		Disuse	
28		699125-05360	1	BLUNT	(イヨウハ)483L	Sus. by X431-000000	
28		X431-000000	1	BLUNT	483MM		
29		898523-06960	1	SCABBARD, BLADE		Sus. by X495-000051	
29		X495-000051	1	SCABBARD, BLADE			
30		900162-04016	2	BOLT, H.S. 4*16	4*16 W,SW		

11. Gear Case, Cutter, Tools (Sr/Nr 015206 and after)



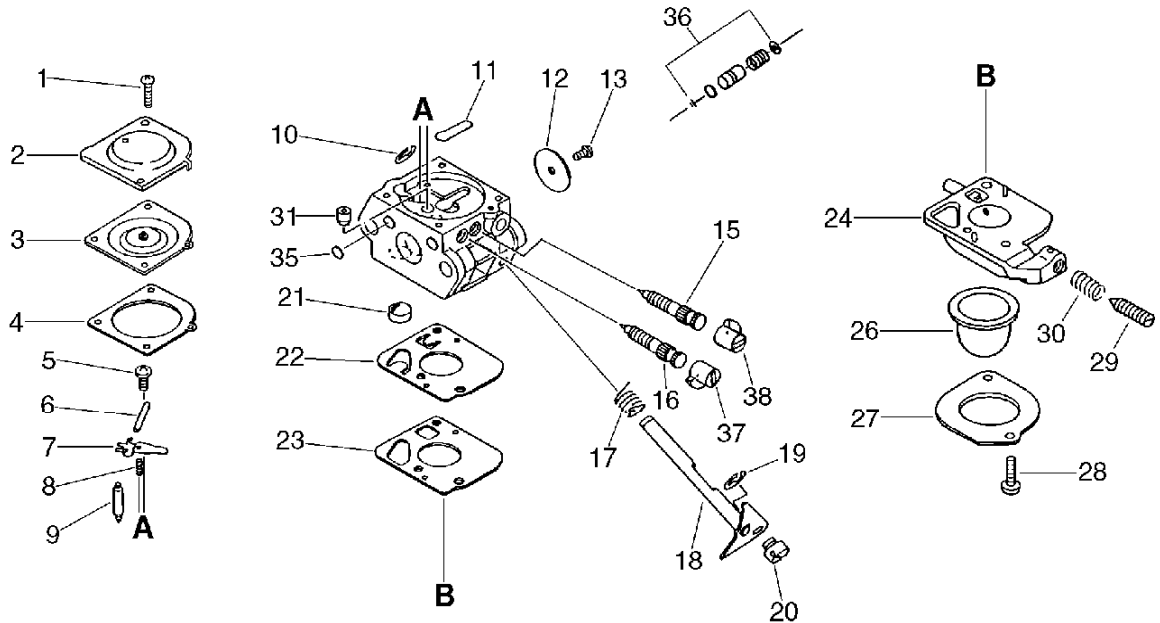
KEY	LV	PART NUMBER	Q'TY	DESCRIPTION	REMARKS	NOTE1	NOTE2
		610403-06961	1	CASE ASY, GEAR		Sus. by P021-009370	
		P021-009370	1	HOUSING ASSY, GEAR			
5	+	175005-04560	1	DRUM, CLUTCH			
6	+	900702-00035	1	CIRCLIP 35	CR-35		
7	+	900813-36202	1	BEARING, BALL 6202	6202Z/C3		
8	+	900810-36202	1	BEARING, BALL 6202	6202/C3		
9	+	900701-00014	1	CIRCLIP 14	CS-14		
15	+	610407-05360	1	CASE, GEAR			
16	+	900162-05020	3	BOLT, H.S. 5*20	5*20 W,SW		
17	+	433022-06460	4	NUT			
18	+	699110-06960	1	BAR, FRAME			
19	+	X411-000050	2	CUTTER	615L	Sus. by X411-000280	
19	+	X411-000280	2	CUTTER			
20	+	699118-04560	4	WASHER			
21	+	699115-04660	3	BOLT 6	6*18L		
22	+	699115-05360	1	BOLT			
23	+	900162-04010	6	BOLT, H.S. 4*10	4*10 W,SW		
24	+	610411-05361	1	LID, GEARCASE			
25	+	610414-05360	1	GASKET, GEAR HOUSING			
26	+	610425-04560	1	SEAL			
27	+	610330-04560	2	ROD, CONNECTING		Sus. by C532-000120	
27	+	610330-04561	2	ROD, CONNECTING		Sus. by C532-000120	

## 11. Gear Case, Cutter, Tools (Sr/Nr 015206 and after)



KEY	LV	PART NUMBER	Q'TY	DESCRIPTION	REMARKS	NOTE1	NOTE2
27	+	C532-000120	2	ROD, CONNECTING			
28	+	610312-04560	1	GEAR			
29	+	610350-04560	1	WASHER			
30	+	610440-04560	1	HOLDER, FRAME			
31	+	900212-06025	2	SCREW 6*25	+SF6*25		
32	+	900212-05030	1	SCREW (5*30*P0.8)	+SF5*30		
33	+	699125-06560	1	BLUNT	539L		
34	+	900500-00006	2	NUT 6	6		
40		895410-00430	1	WRENCH, W/S. DRIVER		Sus. by 895410-03930	
41		895112-00330	1	SPANNER 8*10			
42		898523-06960	1	SCABBARD, BLADE		Sus. by X495-000051	
42		X495-000051	1	SCABBARD, BLADE			
43		898510-39130	1	BAG, TOOL			

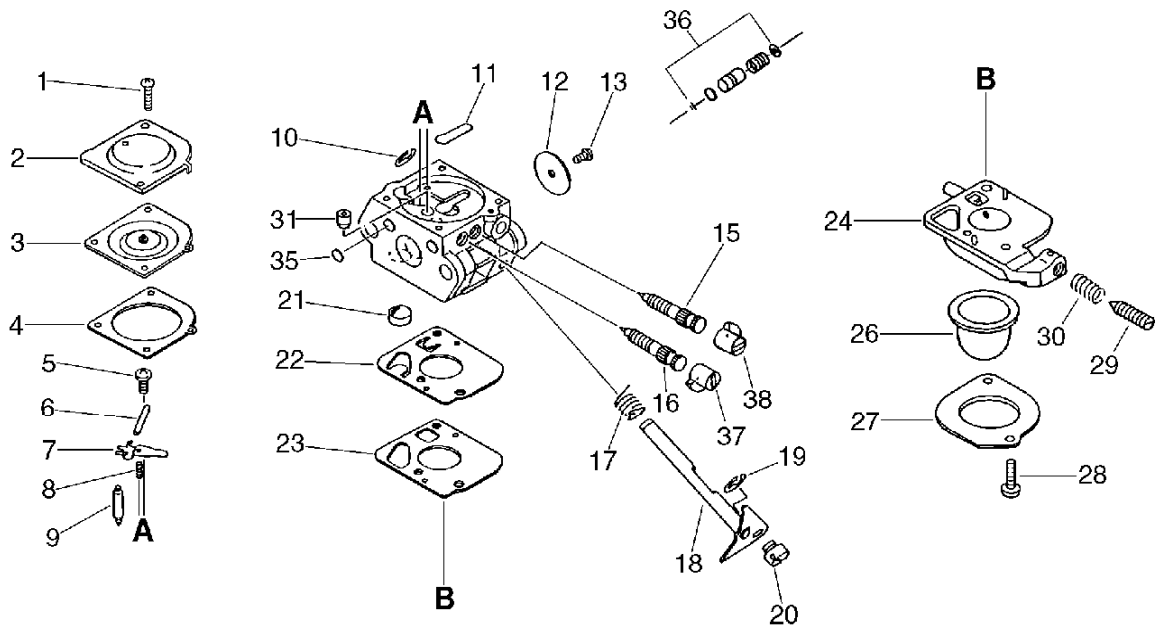
## 12. Carburetor(Sr/Nr 36005212 and before)



KEY	LV	PART NUMBER	Q'TY	DESCRIPTION	REMARKS	NOTE1	NOTE2
		125200-05961	1	CARBURETOR C1U-K51	C1U-K51	Sus. by 125200-05964	
		125200-05962	1	CARBURETOR	C1U-K51	Sus. by 125200-05964	
		125200-05963	1	CARBURETOR C1U-K51	C1U-K51	Sus. by 125200-05964	
		125200-05964	1	CARBURETOR	C1U-K51		
1	+	125344-52130	2	SCREW			
2	+	125342-13210	1	COVER, DIAPHRAGM		Sus. by 125342-52130	
2	+	125342-52130	1	COVER, DIAPHRAGM			
3	+	125341-49030	1	DIAPHRAGM			
4	+	125340-51030	1	GASKET, DIAPHRAGM			
5	+	125339-42030	1	SCREW			
6	+	125338-13930	1	PIN, METERING ARM			
7	+	125323-42030	1	LEVER, METERING			
8	+	125322-42030	1	SPRING, COIL			
9	+	125337-06960	1	VALVE, INLET NEEDLE			
10	+	125327-15130	1	CLIP			
11	+	125345-15130	1	PLUG, WELCH			
12	+	125316-49030	1	VALVE, THROTTLE			
13	+	125314-13930	1	SCREW	3*4		
15	+	125318-13120	1	SCREW, IDLE NEEDLE			
16	+	125320-13310	1	NEEDLE, HIGH SPEED			
17	+	125313-42030	1	SPRING, THRT. RETURN			
18	+	125317-13310	1	SHAFT, THROTTLE			

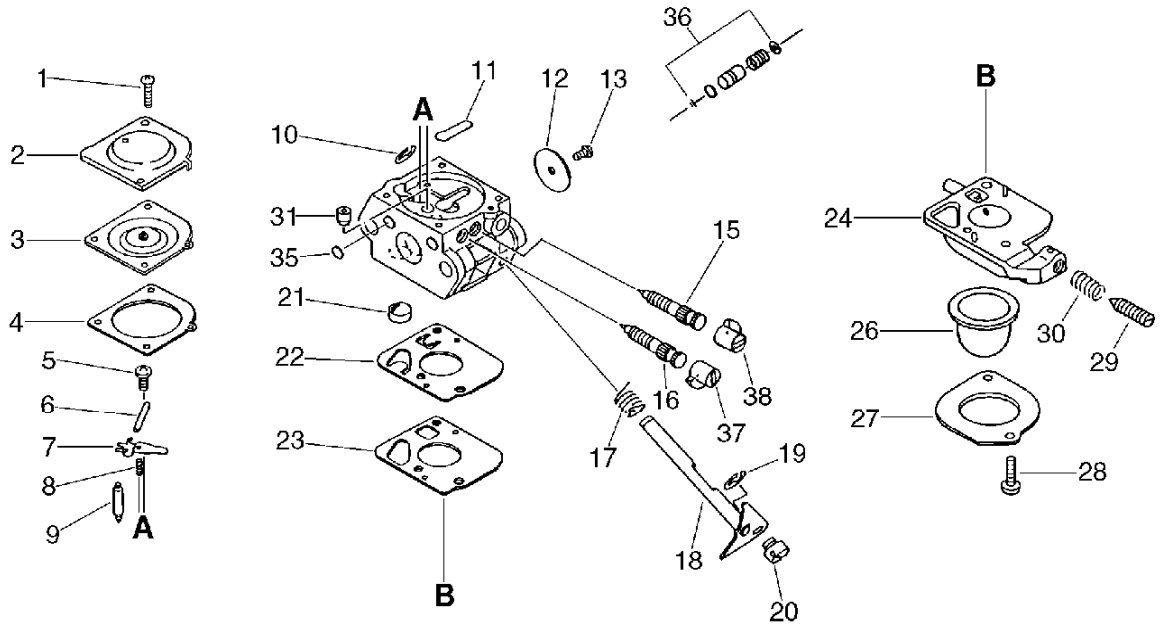


## 12. Carburetor(Sr/Nr 36005212 and before)



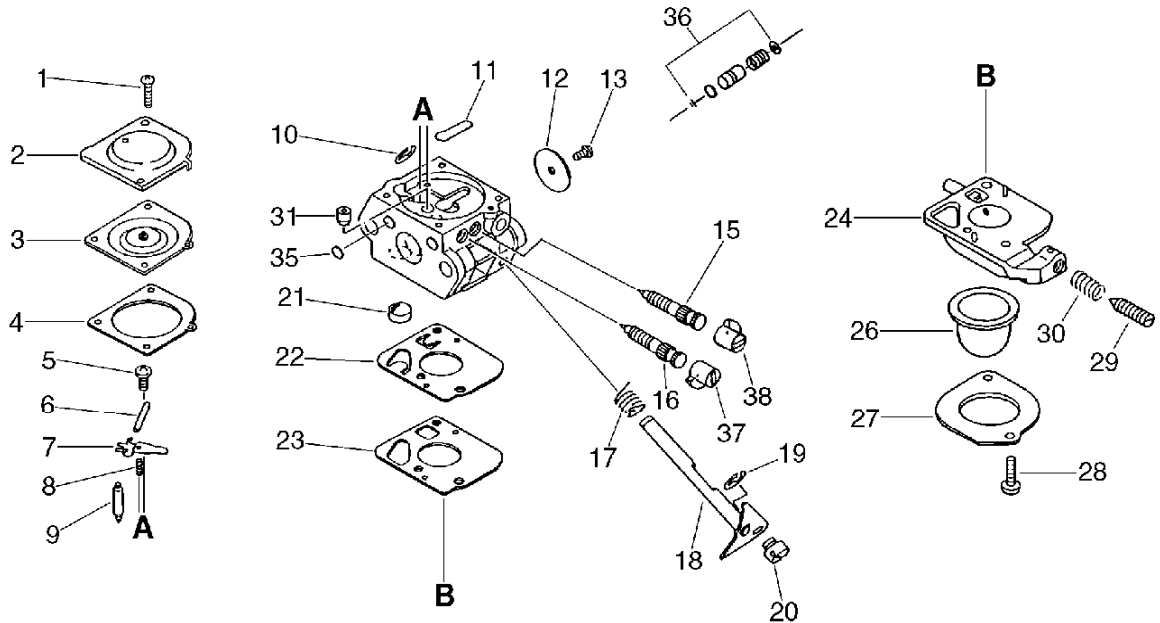
KEY	LV	PART NUMBER	Q'TY	DESCRIPTION	REMARKS	NOTE1	NOTE2
19	+	125327-13930	1	CLIP			
20	+	125372-42030	1	SWIVEL			
21	+	125326-42030	1	STRAINER			
22	+	125312-12820	1	DIAPHRAGM, FUEL PUMP			
23	+	125325-13310	1	GASKET, PUMP			
24	+	125383-13310	1	BASE, PRIMER			
26	+	125381-08660	1	PUMP, PRIMING			
27	+	125363-11610	1	RING			
28	+	125310-11610	2	SCREW			
29	+	125334-13930	1	SCREW, IDLE ADJUST		Sr/Nr 003527 and before	
29	+	125334-06960	1	SCREW, THROTTLE ADJUST		Sr/Nr 003528 and after	
30	+	125378-13930	1	PIECE, FRICTION		Sr/Nr 003527 and before	
30	+	125333-06960	1	SPRING, IDLE ADJUSTER		Sr/Nr 003528 and after	
31	+	125376-13120	1	NOZZLE, CHECK VALVE			
34	+	125329-39030	1	LIMITER, MIXTURE		Sr/Nr 35999999 and before	
35	+	125345-13310	1	PLUG, WELCH			
36	+	125306-13120	1	PUMP KIT, ACC.		Sus. by P005-002020	
37		A259-000030	1	CAP, LIMITER		Sr/Nr 36001001 and after	

12. Carburetor(Sr/Nr 36005212 and before)



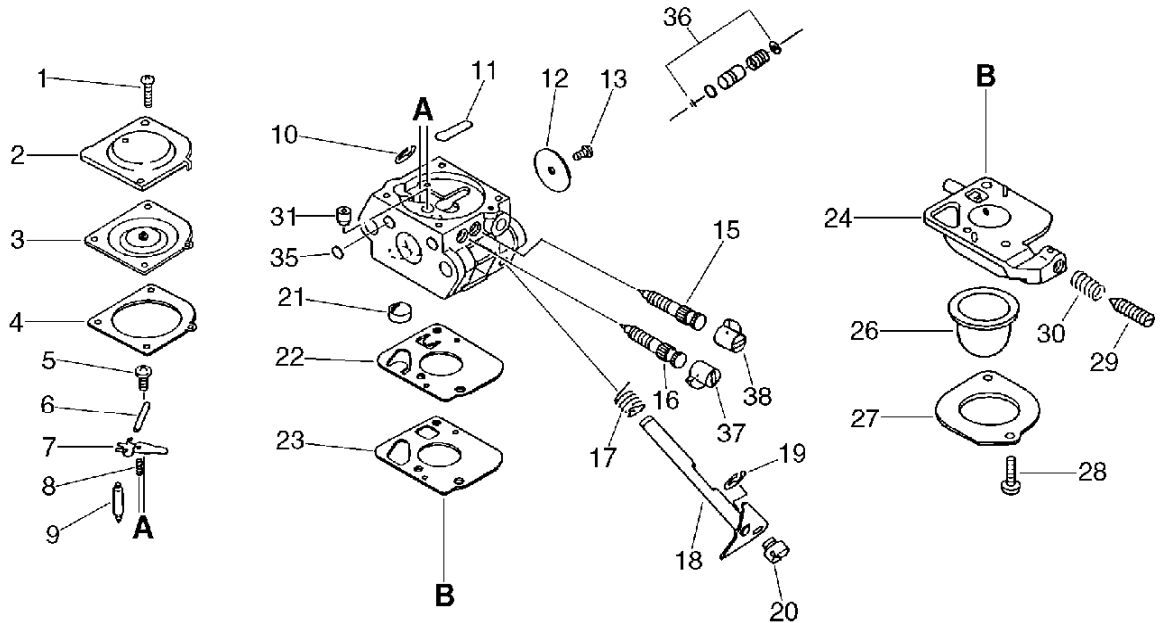
KEY	LV	PART NUMBER	Q'TY	DESCRIPTION	REMARKS	NOTE1	NOTE2
38		125329-09860	1	LIMITER, MIXTURE		Sr/Nr 36001001 and after	
		125303-13310	1	DIAPHRAGM/GASKET KIT			
		125300-13310	1	REBUILD KIT			

## 13. Carburetor(Sr/Nr 36005213 and after)



KEY	LV	PART NUMBER	Q'TY	DESCRIPTION	REMARKS	NOTE1	NOTE2
		125200-05964	1	CARBURETOR	C1U-K51		
1	+	125344-52130	2	SCREW			
2	+	125342-52130	1	COVER, DIAPHRAGM			
3	+	125341-49030	1	DIAPHRAGM			
4	+	125340-51030	1	GASKET, DIAPHRAGM			
5	+	125339-42030	1	SCREW			
6	+	125338-13930	1	PIN, METERING ARM			
7	+	125323-42030	1	LEVER, METERING			
8	+	125322-42030	1	SPRING, COIL			
9	+	125337-06960	1	VALVE, INLET NEEDLE			
10	+	125327-15130	1	CLIP			
11	+	125345-15130	1	PLUG, WELCH			
12	+	125316-49030	1	VALVE, THROTTLE			
13	+	125314-13930	1	SCREW	3*4		
15	+	125318-13120	1	SCREW, IDLE NEEDLE			
16	+	125320-13310	1	NEEDLE, HIGH SPEED			
17	+	125313-42030	1	SPRING, THRT. RETURN			
18	+	125317-13310	1	SHAFT, THROTTLE			
19	+	125327-13930	1	CLIP			
20	+	125372-42030	1	SWIVEL			
21	+	125326-42030	1	STRAINER			
22	+	125312-12820	1	DIAPHRAGM, FUEL PUMP			
23	+	125325-13310	1	GASKET, PUMP			
24	+	P005-000590	1	BASE,ASY PRIMER			
26	+	125381-08660	1	PUMP, PRIMING			
27	+	125363-11610	1	RING			

## 13. Carburetor(Sr/Nr 36005213 and after)



KEY	LV	PART NUMBER	Q'TY	DESCRIPTION	REMARKS	NOTE1	NOTE2
28	+	125310-11610	2	SCREW			
29	+	125334-06960	1	SCREW, THROTTLE ADJUST			
30	+	125333-06960	1	SPRING, IDLE ADJUSTER			
31	+	125376-13120	1	NOZZLE, CHECK VALVE			
35	+	125345-13310	1	PLUG, WELCH			
36	+	125306-13120	1	PUMP KIT, ACC.		Sus. by P005-002020	
36	+	P005-002020	1	PUMP KIT, ACC			
37		A259-000030	1	CAP, LIMITER			
38		125329-09860	1	LIMITER, MIXTURE			

## 14. Repair Kit

KEY	LV	PART NUMBER	Q'TY	DESCRIPTION	REMARKS	NOTE1	NOTE2
		125303-13310	1	DIAPHRAGM/GASKET KIT			
7-3	+	125341-49030	1	DIAPHRAGM			
7-4	+	125340-51030	1	GASKET, DIAPHRAGM			
7-22	+	125312-12820	1	DIAPHRAGM, FUEL PUMP			
7-23	+	125325-13310	1	GASKET, PUMP			
		125300-13310	1	REBUILD KIT			
7-3	+	125341-49030	1	DIAPHRAGM			
7-4	+	125340-51030	1	GASKET, DIAPHRAGM			
7-6	+	125338-13930	1	PIN, METERING ARM			
7-7	+	125323-42030	1	LEVER, METERING			
7-8	+	125322-42030	1	SPRING, COIL			
7-9	+	125337-06960	1	VALVE, INLET NEEDLE			
7-11	+	125345-15130	1	PLUG, WELCH			
7-21	+	125326-42030	1	STRAINER			
7-22	+	125312-12820	1	DIAPHRAGM, FUEL PUMP			
7-23	+	125325-13310	1	GASKET, PUMP			

**Index**

<b>Patrs Number</b>	<b>Key No.</b>	<b>Patrs Number</b>	<b>Key No.</b>	<b>Patrs Number</b>	<b>Key No.</b>
100000-06962	1 - 11	125310-11610	12 - 28	125339-42030	12 - 5
100011-05330	1 - 17	125310-11610	13 - 28	125339-42030	13 - 5
100013-11520	1 - 16	125312-12820	12 - 22	125340-51030	12 - 4
100013-11520	2 - 16	125312-12820	13 - 22	125340-51030	13 - 4
100014-08960	1 - 13	125312-12820	14 - 7-22	125340-51030	14 - 7-4
100014-08960	2 - 13	125312-12820	14 - 7-22	125340-51030	14 - 7-4
100015-04630	1 - 15	125313-42030	12 - 17	125341-49030	12 - 3
100015-04630	2 - 15	125313-42030	13 - 17	125341-49030	13 - 3
100100-06560	1 - 10	125314-13930	12 - 13	125341-49030	14 - 7-3
100100-06561	1 - 10	125314-13930	13 - 13	125341-49030	14 - 7-3
100100-06562	1 - 10	125316-49030	12 - 12	125342-13210	12 - 2
100100-06563	1 - 10	125316-49030	13 - 12	125342-52130	12 - 2
100100-06564	1 - 10	125317-13310	12 - 18	125342-52130	13 - 2
100100-06564	2 - 10	125317-13310	13 - 18	125344-52130	12 - 1
100113-05930	1 - 12	125318-13120	12 - 15	125344-52130	13 - 1
100113-05930	2 - 12	125318-13120	13 - 15	125345-13310	12 - 35
100204-05360	1 - 4	125320-13310	12 - 16	125345-13310	13 - 35
100204-05361	1 - 4	125320-13310	13 - 16	125345-15130	12 - 11
100204-05361	2 - 4	125322-42030	12 - 8	125345-15130	13 - 11
100212-42030	1 - 5	125322-42030	13 - 8	125345-15130	14 - 7-11
100212-42031	1 - 5	125322-42030	14 - 7-8	125363-11610	12 - 27
100212-42031	2 - 5	125323-42030	12 - 7	125363-11610	13 - 27
100215-03930	1 - 9	125323-42030	13 - 7	125372-42030	12 - 20
100215-03930	2 - 9	125323-42030	14 - 7-7	125372-42030	13 - 20
100242-42030	1 - 8	125325-13310	12 - 23	125376-13120	12 - 31
100242-42030	2 - 8	125325-13310	13 - 23	125376-13120	13 - 31
101010-44332	1 - 27	125325-13310	14 - 7-23	125378-13930	12 - 30
101010-44332	2 - 27	125325-13310	14 - 7-23	125381-08660	12 - 26
101011-06562	1 - 19	125326-42030	12 - 21	125381-08660	13 - 26
101011-06562	2 - 19	125326-42030	13 - 21	125383-13310	12 - 24
101506-05361	2 - 25	125326-42030	14 - 7-21	129011-52730	5 - 16
101506-06560	1 - 25	125327-13930	12 - 19	129011-52730	6 - 16
101506-06561	1 - 25	125327-13930	13 - 19	130010-42032	5 - 5
125200-05961	12 -	125327-15130	12 - 10	130010-42032	6 - 5
125200-05961	5 - 10	125327-15130	13 - 10	130016-42031	5 - 9
125200-05962	12 -	125329-09860	12 - 38	130016-42031	6 - 9
125200-05962	5 - 10	125329-09860	13 - 38	130017-42031	5 - 7
125200-05963	12 -	125329-39030	12 - 34	130017-42031	6 - 7
125200-05963	5 - 10	125333-06960	12 - 30	130307-06561	5 - 14
125200-05964	12 -	125333-06960	13 - 30	130310-54130	5 - 18
125200-05964	13 -	125334-06960	12 - 29	130310-54130	6 - 18
125200-05964	5 - 10	125334-06960	13 - 29	130313-05863	6 - 19
125200-05964	6 - 10	125334-13930	12 - 29	130313-06563	5 - 19
125300-13310	12 -	125337-06960	12 - 9	131004-08960	7 - 17
125300-13310	14 -	125337-06960	13 - 9	131005-05360	7 - 5
125303-13310	12 -	125337-06960	14 - 7-9	131005-05361	7 - 5
125303-13310	14 -	125338-13930	12 - 6	131016-55830	7 - 18
125306-13120	12 - 36	125338-13930	13 - 6	131051-52430	7 - 19
125306-13120	13 - 36	125338-13930	14 - 7-6	131205-07320	7 - 15

**Index**

<b>Patrs Number</b>	<b>Key No.</b>	<b>Patrs Number</b>	<b>Key No.</b>	<b>Patrs Number</b>	<b>Key No.</b>
131300-56430	7 - 9	175018-05960	4 - 43	178129-13361	9 - 22
131312-39130	7 - 11	175019-04920	3 - 41	178302-13360	8 - 7
131312-44330	7 - 11	175019-04920	4 - 41	178302-13360	9 - 7
132010-06460	7 - 16	175055-05360	3 - 47	210417-52730	5 - 20
132010-07530	7 - 12	175055-05360	4 - 47	210417-52730	6 - 20
132013-09820	7 - 14	177200-05363	4 - 7	351100-13360	8 - 5
132115-46730	7 - 13	177200-06562	3 - 7	351100-13361	8 - 5
145510-42031	5 - 30	177200-06562	3 - 7	351100-13361	9 - 5
145510-42032	5 - 30	177200-06563	3 - 7	351101-13360	8 - 32
145802-05360	5 - 28	177200-12220	3 - 7	351101-13360	9 - 32
145802-05361	5 - 28	177202-44330	3 - 18	351308-13360	8 - 31
145802-05361	6 - 28	177202-44331	3 - 18	351308-13360	9 - 31
145863-06560	5 - 34	177202-44331	4 - 18	351312-13360	8 - 20
145866-42031	5 - 32	177215-44430	3 - 10	351312-13361	8 - 20
145866-42031	6 - 32	177215-44430	4 - 10	351312-13361	9 - 20
145871-05360	5 - 29	177218-44330	3 - 19	351313-13360	8 - 23
145871-05360	6 - 29	177218-44330	4 - 19	351313-13361	8 - 23
145876-42030	5 - 33	177220-42030	3 - 9	351313-13361	9 - 23
145876-42030	6 - 33	177220-42030	4 - 9	351610-05360	8 - 28
156110-04920	3 - 31	177226-05530	3 - 13	351610-05360	9 - 28
156110-04920	4 - 31	177226-05530	4 - 13	351611-05360	8 - 29
156114-04920	3 - 27	177227-42030	3 - 14	351611-05360	9 - 29
156114-04920	4 - 27	177227-42030	4 - 14	351648-13360	8 - 12
156601-52130	3 - 25	177228-06530	3 - 15	351648-13360	9 - 12
156626-11820	3 - 25	177228-06530	3 - 15	433022-06460	10 - 2
156801-05360	3 - 23	177228-06530	4 - 15	433022-06460	11 - 17
156801-05360	4 - 23	177228-11120	3 - 15	605611-13360	8 - 15
156801-44330	3 - 23	177234-42030	3 - 20	605611-13360	9 - 15
159011-03432	3 - 29	177234-42030	4 - 20	610312-04560	11 - 28
159011-03432	4 - 29	177236-44330	3 - 12	610312-06560	10 - 12
159012-03433	3 - 30	177236-44330	4 - 12	610330-04560	11 - 27
159012-03433	4 - 30	178001-13360	8 - 25	610330-04561	11 - 27
159017-12330	3 - 28	178001-13360	9 - 25	610350-04560	11 - 29
159017-12330	4 - 28	178010-13360	8 - 10	610403-06961	11 -
162021-52830	3 - 26	178010-13361	8 - 10	610407-05360	11 - 15
162021-52830	4 - 26	178010-13361	9 - 10	610407-06560	10 - 3
163400-13360	8 - 14	178012-13360	8 - 11	610411-05361	11 - 24
163400-13360	9 - 14	178012-13360	9 - 11	610411-06560	10 - 17
175000-06560	3 - 42	178013-13660	8 - 9	610414-05360	11 - 25
175000-06560	4 - 42	178013-13660	9 - 9	610414-06560	10 - 16
175005-04560	11 - 5	178043-13360	8 - 16	610425-04560	11 - 26
175005-06560	10 - 4	178043-13360	9 - 16	610426-06560	10 - 19
175009-05131	3 - 44	178043-13660	8 - 13	610440-04560	11 - 30
175009-05131	4 - 44	178043-13660	9 - 13	689025-05360	10 - 14
175014-05360	3 - 40	178127-13360	8 - 24	689025-06560	10 - 15
175014-05360	4 - 40	178127-13361	8 - 24	689025-13360	8 - 21
175016-04920	3 - 45	178127-13361	9 - 24	689025-13361	8 - 21
175016-04920	4 - 45	178129-13360	8 - 22	689025-13361	9 - 21
175018-05960	3 - 43	178129-13361	8 - 22	697010-06560	10 - 13

**Index**

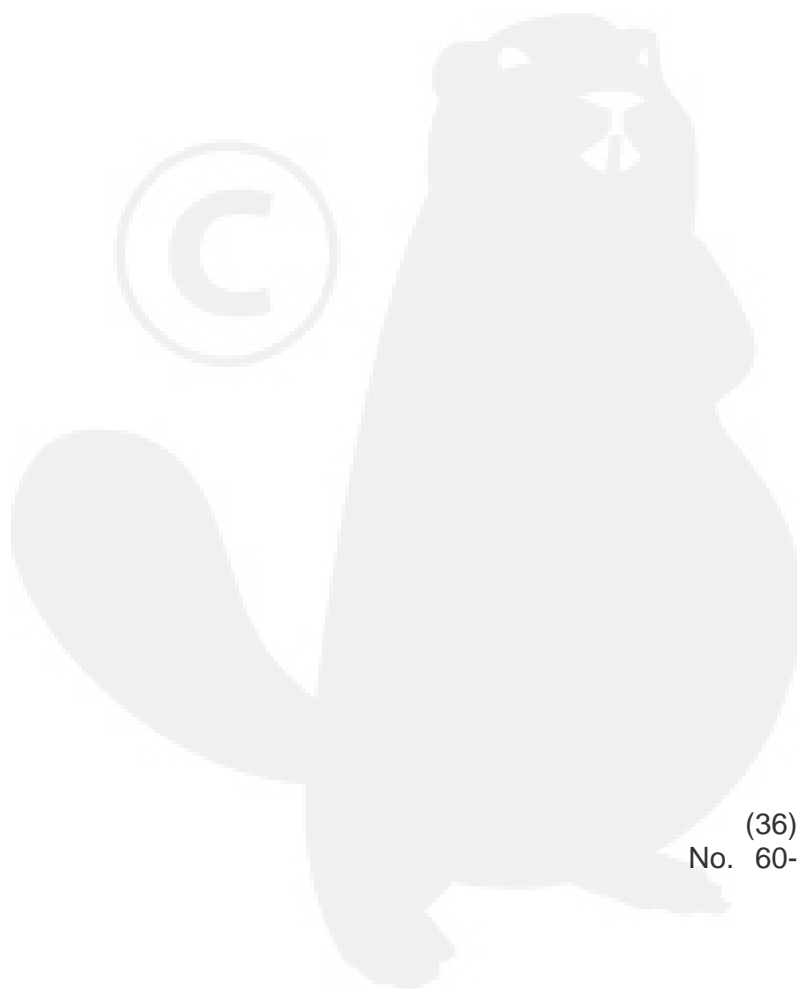
<b>Patrs Number</b>	<b>Key No.</b>	<b>Patrs Number</b>	<b>Key No.</b>	<b>Patrs Number</b>	<b>Key No.</b>
699110-06960	11 - 18	900162-05022	2 - 20	900870-36202	10 - 7
699113-06560	10 - 27	900162-05028	1 - 6	900872-36202	10 - 6
699115-04660	10 - 22	900162-05028	2 - 6	94035-36201	1 - 7
699115-04660	10 - 22	900212-05030	10 - 11	94035-36201	2 - 7
699115-04660	11 - 21	900212-05030	11 - 32	A101-000000	1 - 17
699115-05360	11 - 22	900212-06025	11 - 31	A101-000000	2 - 17
699115-06560	10 - 21	900212-06030	10 - 10	A259-000030	12 - 37
699117-06560	10 - 1	900220-05042	8 - 19	A259-000030	13 - 37
699118-04560	10 - 20	900220-05045	8 - 19	A313-000010	5 - 34
699118-04560	11 - 20	900220-05045	9 - 19	A313-000010	6 - 34
699125-05360	10 - 28	900238-05016	7 - 6	A350-000270	7 - 5
699125-06560	11 - 33	900238-05020	5 - 8	A350-000271	7 - 5
880110-54230	10 - 9	900238-05020	6 - 8	A350-000272	7 - 5
890034-13360	3 - 32	900238-05030	8 - 4	A411-000080	3 - 25
890112-25460	3 - 6	900238-05030	9 - 4	A411-000080	4 - 25
890112-25461	3 - 6	900239-05016	7 - 6	C532-000120	11 - 27
890112-25461	4 - 6	900242-04010	5 - 35	P005-000590	13 - 24
890118-49130	3 - 6	900242-04010	6 - 35	P005-002020	13 - 36
890121-05360	5 - 21	900242-05065	5 - 17	P021-001111	1 - 11
890121-05360	6 - 21	900242-05065	6 - 17	P021-001112	1 - 11
890123-13360	3 - 46	900256-04016	8 - 6	P021-001113	1 - 11
890123-13360	4 - 46	900256-04016	9 - 6	P021-001113	2 - 11
890157-06560	8 - 8	900500-00005	5 - 6	P021-002921	5 - 14
890157-39130	8 - 8	900500-00005	6 - 6	P021-009370	11 -
890617-07660	3 - 32	900500-00006	10 - 23	P021-010350	6 - 14
890617-07660	4 - 32	900500-00006	11 - 34	V104-000160	5 - 30
895112-00330	10 - 24	900502-00006	8 - 26	V104-000160	6 - 30
895112-00330	11 - 41	900502-00006	9 - 26	V306-000150	1 - 18
895410-00430	10 - 25	900560-00005	8 - 17	V306-000150	2 - 18
895410-00430	11 - 40	900560-00005	8 - 30	V470-000580	7 - 12
898510-39130	10 - 26	900560-00005	9 - 17	V471-001200	7 - 11
898510-39130	11 - 43	900560-00005	9 - 30	V475-001900	3 - 33
898523-06960	10 - 29	900600-00005	5 - 37	V475-001900	4 - 33
898523-06960	11 - 42	900600-00005	6 - 37	V650-000080	10 - 12
900105-05050	5 - 36	900600-00005	8 - 18	X411-000020	10 - 13
900105-05050	6 - 36	900600-00005	9 - 18	X411-000050	11 - 19
900162-04010	11 - 23	900600-00006	8 - 27	X411-000270	10 - 13
900162-04012	10 - 18	900600-00006	9 - 27	X411-000280	11 - 19
900162-04016	10 - 30	900602-00005	8 - 18	X425-000010	10 - 1
900162-04016	3 - 5	900603-00005	7 - 8	X431-000000	10 - 28
900162-04016	3 - 48	900605-00008	3 - 17	X495-000051	10 - 29
900162-04016	4 - 5	900605-00008	4 - 17	X495-000051	11 - 42
900162-04016	4 - 48	900701-00014	10 - 8	X502-000260	8 - 33
900162-04020	1 - 26	900701-00014	11 - 9	X502-000260	9 - 33
900162-04020	2 - 26	900702-00035	10 - 5	X502-000330	4 - 6
900162-04022	3 - 24	900702-00035	11 - 6	X502-000430	9 - 33
900162-04022	4 - 24	900810-36201	1 - 7	X503-008850	4 - 32
900162-05020	11 - 16	900810-36202	11 - 8	X505-002030	9 - 34
900162-05022	1 - 20	900813-36202	11 - 7		



# YAMABIKO CORPORATION

7-2 SUEHIROCHO 1-CHOME, OHME, TOKYO 198-8760, JAPAN  
PHONE: 81-428-32-6118. FAX: 81-428-32-6145.

**ECHO**®



(36)  
No. 60-226