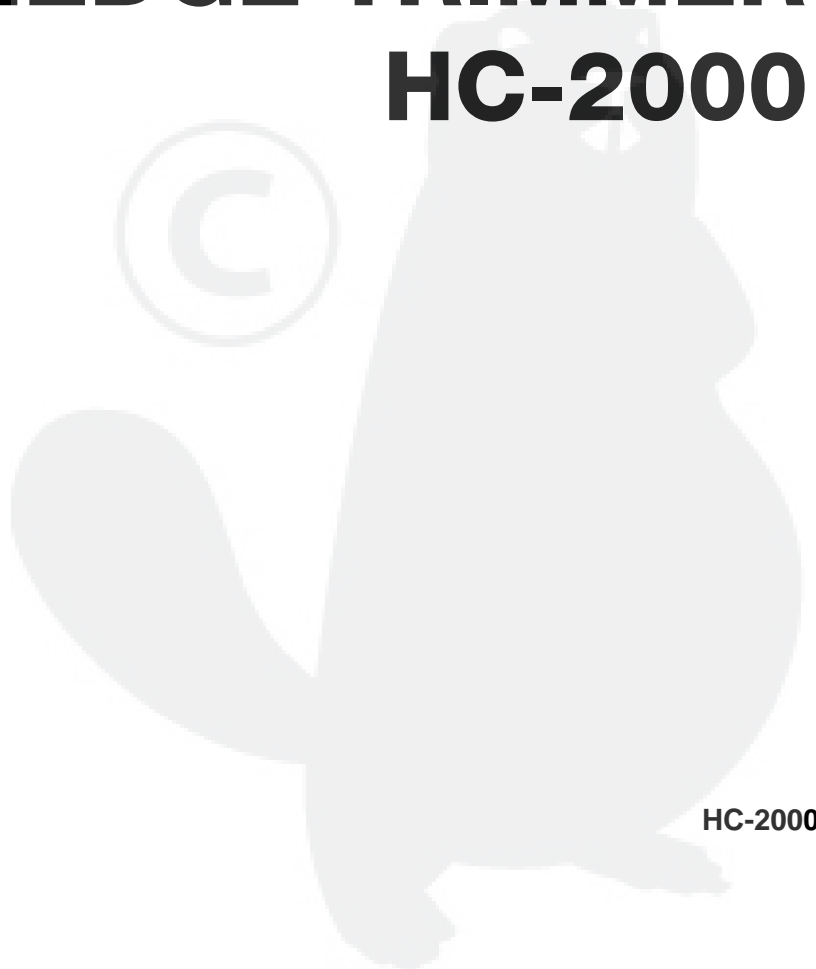




# **PARTS CATALOG**

## **HEDGE TRIMMER**

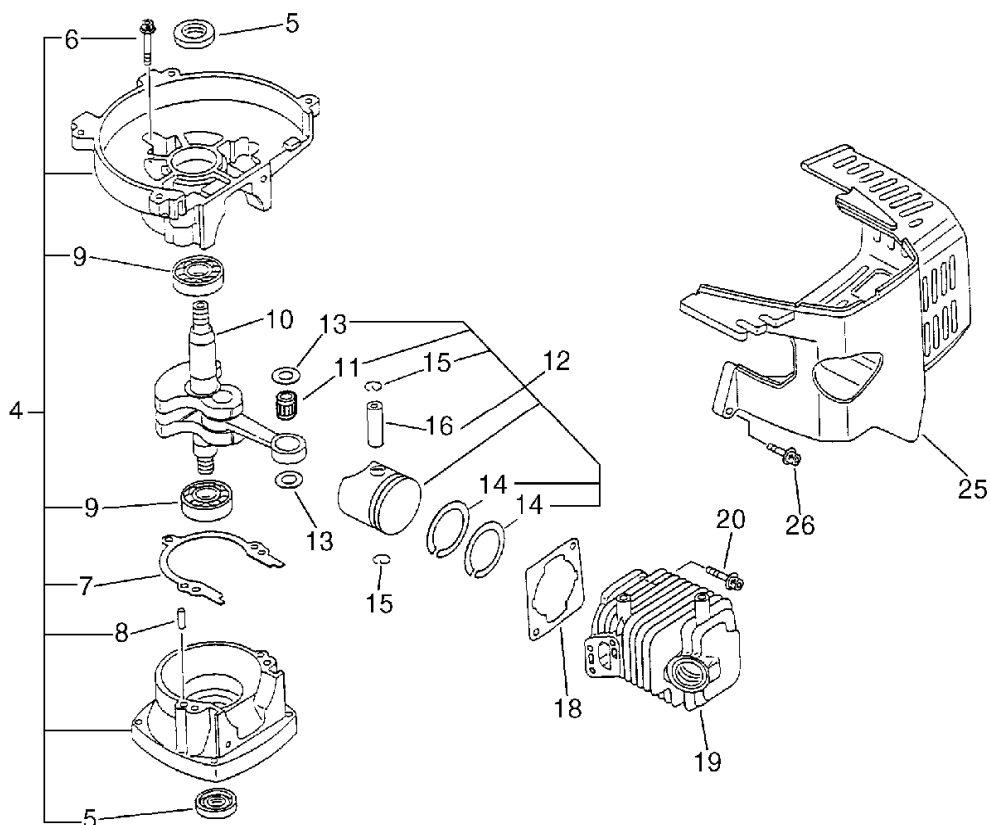
### **HC-2000**



HC-2000

# 1. Cylinder, Crankcase, Piston

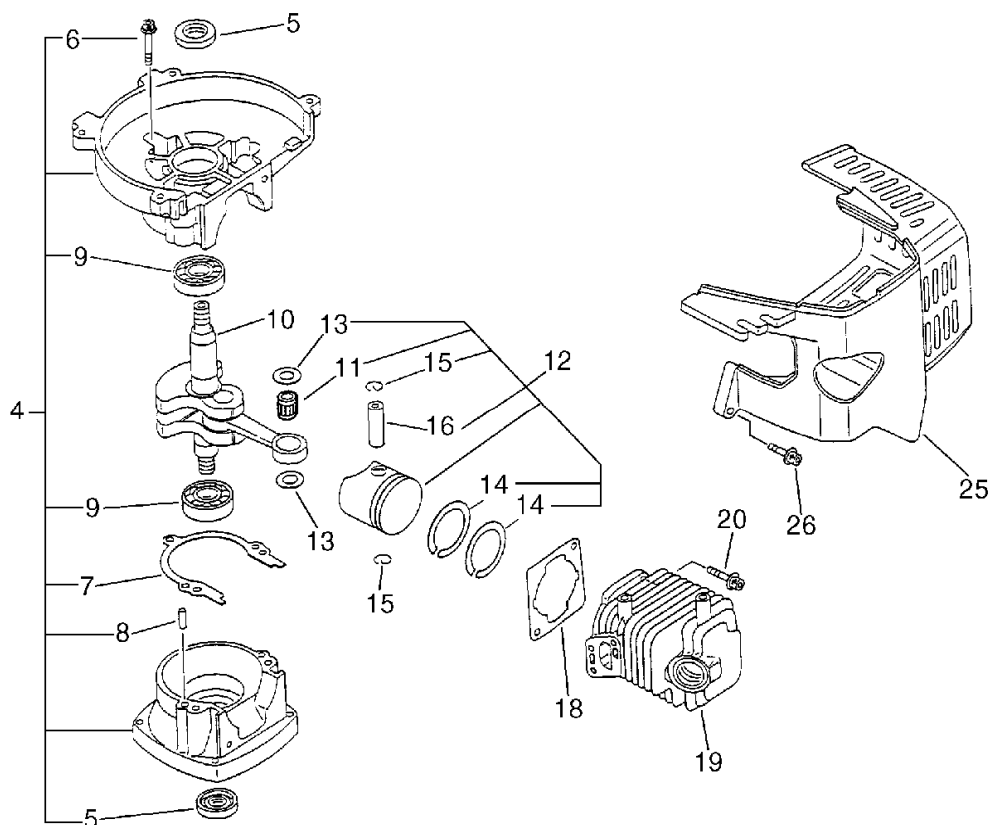
No.1



| KEY | LV | PART NUMBER  | Q'TY | DESCRIPTION        | REMARKS        | NOTE1                   | NOTE2 |
|-----|----|--------------|------|--------------------|----------------|-------------------------|-------|
| 4   |    | 100204-52130 | 1    | CRANKCASE KIT      |                | Sus. by 100204-52132    |       |
| 4   |    | 100204-52131 | 1    | CRANKCASE KIT      |                | Sus. by 100204-52132    |       |
| 4   |    | 100204-52132 | 1    | CRANKCASE KIT      |                |                         |       |
| 5   | +  | 100212-42030 | 2    | OILSEAL            | ISCD12*22*4.5  | Sus. by 100212-42031    |       |
| 5   | +  | 100212-42031 | 2    | OILSEAL            | ISCD 12*22*4.5 |                         |       |
| 6   | +  | 900162-05028 | 3    | BOLT, H.S. 5*28    | 5*28 W,SW      |                         |       |
| 7   | +  | 100242-42030 | 1    | GASKET, CRANKCASE  |                |                         |       |
| 8   | +  | 100215-03930 | 2    | PIN, DOWEL         |                |                         |       |
| 9   | +  | 900810-36201 | 2    | BEARING, BALL 6201 | 6201/C3        | Sus. by 94035-36201     |       |
| 9   | +  | 94035-36201  | 2    | BEARING BALL       | 6201X3JR2C3    |                         |       |
| 10  |    | 100100-07760 | 1    | CRANKSHAFT ASSY    |                | Sus. by 100100-09760    |       |
| 10  |    | 100100-09760 | 1    | CRANKSHAFT ASSY    |                | Sr/Nr 045019 and before |       |
| 10  |    | A011-000010  | 1    | CRANKSHAFT,ASM     |                | Sus. by A011-000014     |       |
| 10  |    | A011-000011  | 1    | CRANKSHAFT,ASM     |                | Sus. by A011-000014     |       |
| 10  |    | A011-000012  | 1    | CRANKSHAFT,ASM     |                | Sus. by A011-000014     |       |

# 1. Cylinder, Crankcase, Piston

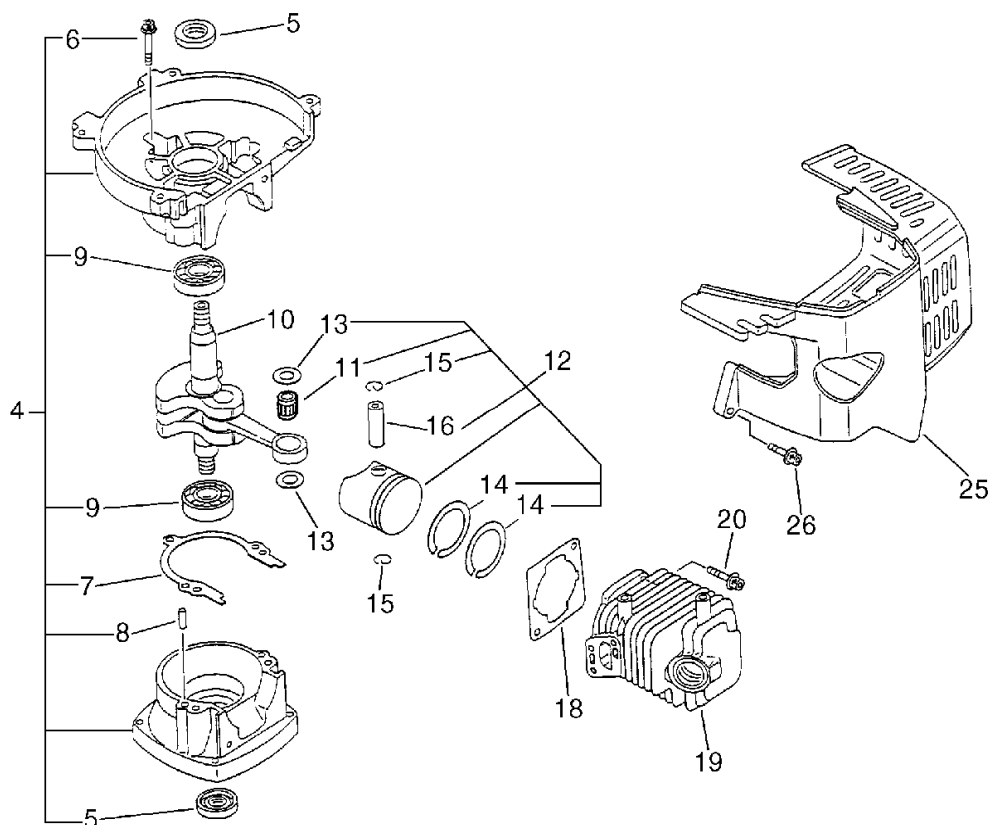
No.1



| KEY | LV | PART NUMBER  | Q'TY | DESCRIPTION         | REMARKS | NOTE1                   | NOTE2 |
|-----|----|--------------|------|---------------------|---------|-------------------------|-------|
| 10  |    | A011-000013  | 1    | CRANKSHAFT,ASM      |         | Sus. by A011-000014     |       |
| 10  |    | A011-000014  | 1    | CRANKSHAFT,ASM      |         | Sr/Nr 045020 and after  |       |
| 12  |    | 100000-07760 | 1    | PISTON KIT          |         | Sus. by 100000-06962    |       |
| 12  |    | 100000-06961 | 1    | PISTON KIT          |         | Sus. by 100000-06962    |       |
| 12  |    | 100000-06962 | 1    | PISTON KIT          |         | Sr/Nr 045019 and before |       |
| 12  |    | P021-000400  | 1    | PISTON KIT          |         | Sus. by P021-001113     |       |
| 12  |    | P021-001110  | 1    | PISTON KIT          |         | Sus. by P021-001113     |       |
| 12  |    | P021-001111  | 1    | PISTON KIT          |         | Sus. by P021-001113     |       |
| 12  |    | P021-001113  | 1    | PISTON KIT          |         | Sr/Nr 045020 and after  |       |
| 11  | +  | 100113-05930 | 1    | BEARING, NEEDLE     | 8*12*8  |                         |       |
| 13  | +  | 100014-08960 | 2    | SPACER, PISTON PIN  |         |                         |       |
| 14  | +  | 100011-05330 | 2    | RING, PISTON        |         | Sr/Nr 045019 and before |       |
| 14  | +  | A101-000000  | 2    | RING,PISTON         |         | Sr/Nr 045020 and after  |       |
| 15  | +  | 100015-04630 | 2    | CIRCLIP, PISTON PIN |         |                         |       |
| 16  | +  | 100013-11520 | 1    | PIN, PISTON         |         |                         |       |

# 1. Cylinder, Crankcase, Piston

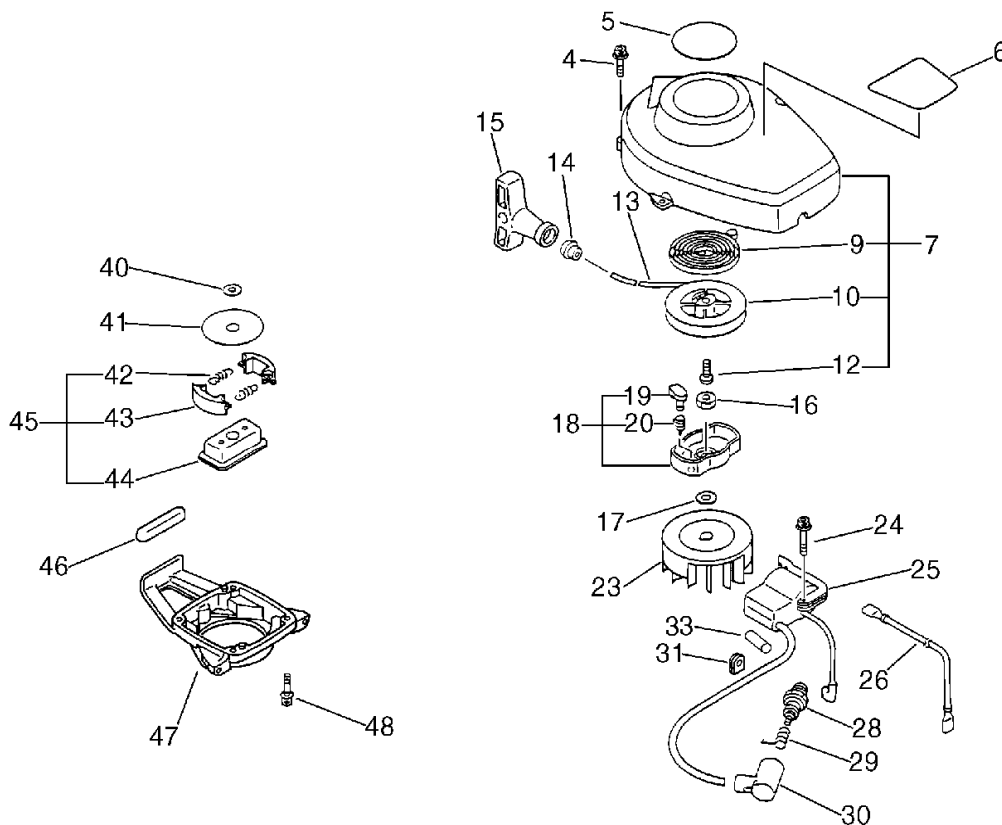
No.1



| KEY | LV | PART NUMBER  | Q'TY | DESCRIPTION       | REMARKS   | NOTE1                   | NOTE2 |
|-----|----|--------------|------|-------------------|-----------|-------------------------|-------|
| 18  |    | 101010-44332 | 1    | GASKET, CYL. BASE |           |                         |       |
| 19  |    | 101011-06560 | 1    | CYLINDER          |           | Sus. by 101011-06562    |       |
| 19  |    | 101011-06561 | 1    | CYLINDER          |           | Sus. by 101011-06562    |       |
| 19  |    | 101011-06562 | 1    | CYLINDER          |           | Sr/Nr 045019 and before |       |
| 19  |    | A130-000020  | 1    | CYLINDER          |           | Sus. by A130-000021     |       |
| 19  |    | A130-000021  | 1    | CYLINDER          |           | Sr/Nr 045020 and after  |       |
| 20  |    | 900162-05022 | 2    | BOLT, H.S. 5*22   | 5*22 W,SW |                         |       |
| 25  |    | 101514-08960 | 1    | COVER, CYLINDER   |           |                         |       |
| 26  |    | 900162-04022 | 2    | BOLT, H.S. 4*22   | 4*22 W,SW |                         |       |

## 2. Starter, Magneto, Clutch

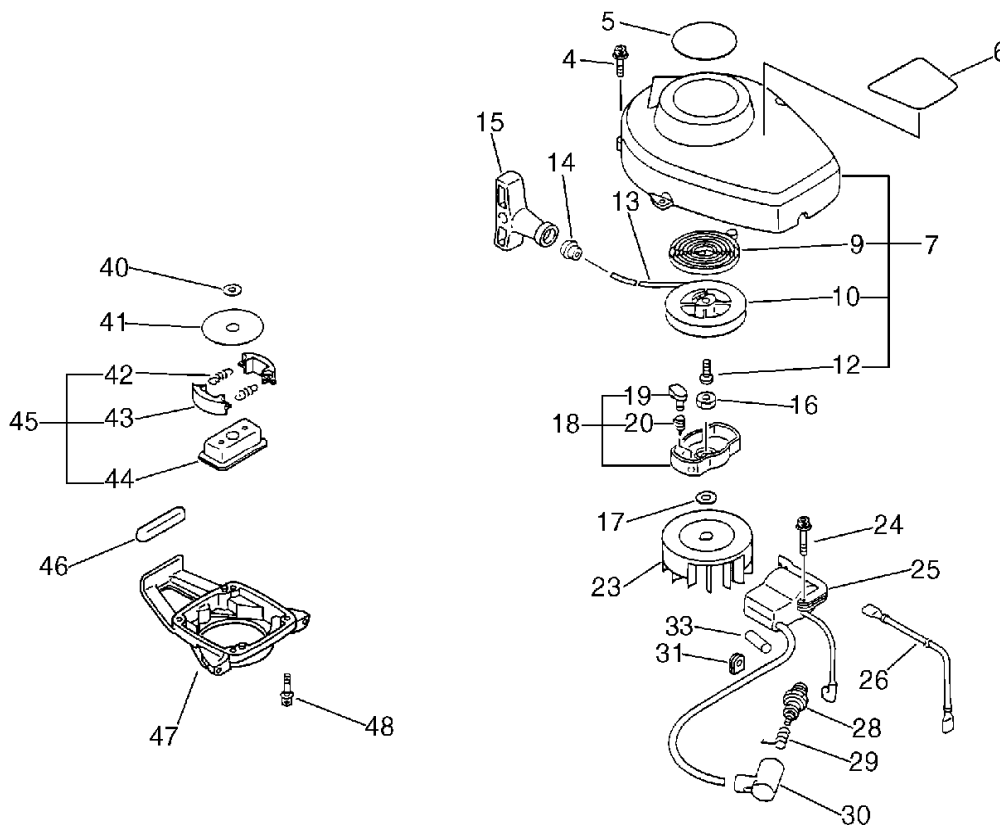
No.2



| KEY | LV | PART NUMBER  | Q'TY | DESCRIPTION        | REMARKS   | NOTE1                | NOTE2 |
|-----|----|--------------|------|--------------------|-----------|----------------------|-------|
| 4   |    | 900162-04016 | 4    | BOLT, H.S. 4*16    | 4*16 W,SW | Sus. by 900163-04016 |       |
| 4   |    | 900163-04016 | 4    | BOLT HSH           |           |                      |       |
| 5   |    | 890118-49130 | 1    | LABEL, ECHO        |           | Sus. by 890112-07761 |       |
| 5   |    | 890112-07761 | 1    | LABEL, MODEL       |           |                      |       |
| 6   |    | 890115-07760 | 1    | LABEL, MODEL       |           | Sus. by 890617-07660 |       |
| 6   |    | 890617-07660 | 1    | LABEL, CAUTION     |           |                      |       |
| 6   |    | 890617-12620 | 1    | LABEL, CAUTION     |           | Sus. by 890617-07660 |       |
| 7   |    | 177200-05962 | 1    | STARTER ASSY       |           |                      |       |
| 9   | +  | 177220-42030 | 1    | SPRING, REWIND     |           |                      |       |
| 10  | +  | 177215-05960 | 1    | DRUM, STARTER      |           |                      |       |
| 12  | +  | 177236-44330 | 1    | SCREW              |           |                      |       |
| 13  | +  | 177226-05960 | 1    | ROPE, STARTER      | 3.5*830   |                      |       |
| 14  | +  | 177227-42030 | 1    | GUIDE, ROPE        |           |                      |       |
| 15  | +  | 177228-06530 | 1    | GRIP, STARTER      |           |                      |       |
| 16  |    | 900512-00008 | 1    | NUT 3N 8 (L-H)     | 3N 8      |                      |       |
| 17  |    | 900600-00008 | 1    | WASHER 8           | 8         |                      |       |
| 18  |    | 177202-07360 | 1    | PAWL ASSY, STARTER |           | Sus. by 177202-07361 |       |
| 18  |    | 177202-07361 | 1    | PAWL ASM., STARTER |           |                      |       |
| 19  | +  | 177218-44330 | 1    | PAWL, STARTER      | BLACK     |                      |       |
| 20  | +  | 177234-05960 | 1    | SPRING, RETURN     |           | Sus. by P022-007980  |       |

## 2. Starter, Magneto, Clutch

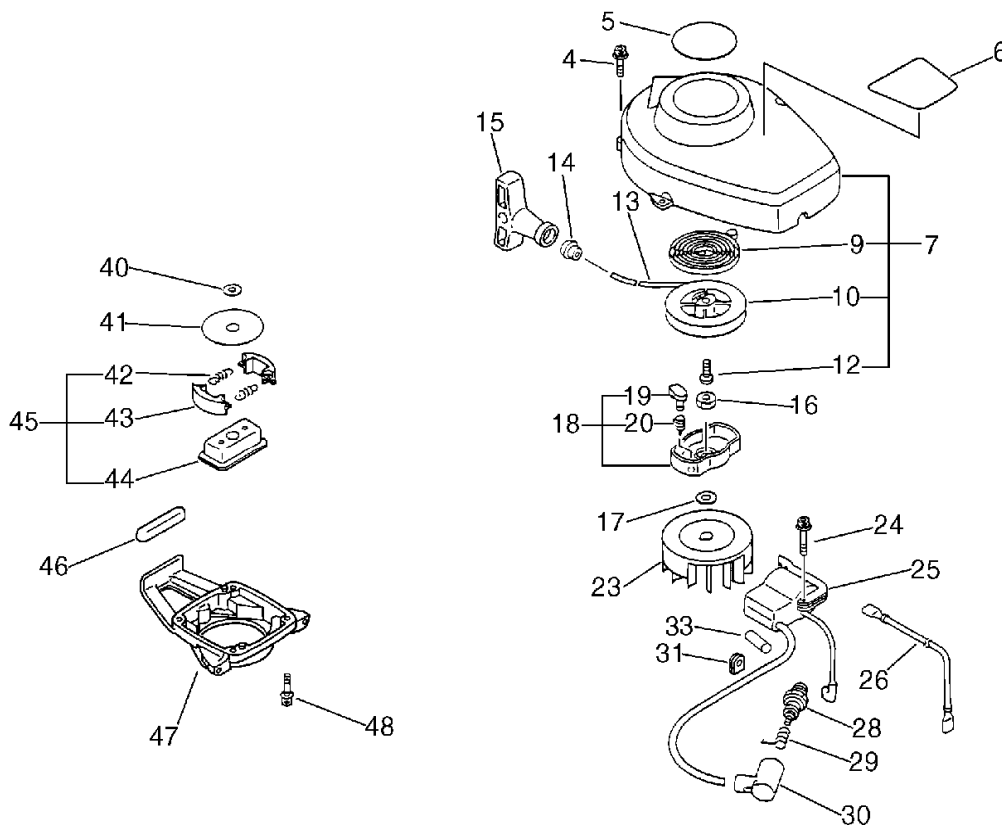
No.2



| KEY | LV | PART NUMBER  | Q'TY | DESCRIPTION          | REMARKS    | NOTE1  | NOTE2 |
|-----|----|--------------|------|----------------------|------------|--|-------|
| 20  | +  | P022-007980  | 1    | SPRING, RETURN       |            |  |       |
| 23  |    | 156801-44731 | 1    | FLYWHEEL             |            | Sus. by 156801-12360                         |       |
| 23  |    | 156801-09660 | 1    | FLYWHEEL             |            | Sus. by set of 156801-12360 and 156601-52130 |       |
| 23  |    | 156801-12360 | 1    | ROTOR, MAGNETO       |            | Sr/Nr 044790 and before                      |       |
| 23  |    | A409-000000  | 1    | ROTOR,MAGNETO        |            | Sr/Nr 044791 and after                       |       |
| 24  |    | 900162-04022 | 2    | BOLT, H.S. 4*22      | 4*22 W,SW  |  |       |
| 25  |    | 156601-52130 | 1    | COIL, IGNITION       |            |  |       |
| 25  |    | 156626-52730 | 1    | COIL, IGNITION       |            | Sus. by set of 156801-12360 and 156601-52130 |       |
| 28  |    | 159017-10230 | 1    | PLUG, SPARK (RCJ-7Y) | RCJ-7Y     |  |       |
| 29  |    | 159011-03432 | 1    | COIL, SPARK PLUG     |            |  |       |
| 30  |    | 159012-01620 | 1    | CAP, SPARK PLUG      |            |  |       |
| 31  |    | 156110-04920 | 1    | BUSHING              |            |  |       |
| 32  |    | 162021-52130 | 1    | LEAD                 | 210L       | Sus. by 162010-52830                         |       |
| 32  |    | 162010-52830 | 1    | LEAD, GROUND         |            |  |       |
| 33  |    | V475-001900  | 1    | TUBE                 | 7*8.6*30   |  |       |
| 40  |    | 175014-05360 | 1    | WASHER, CLUTCH       | 8.2*19*3.2 |  |       |

## 2. Starter, Magneto, Clutch

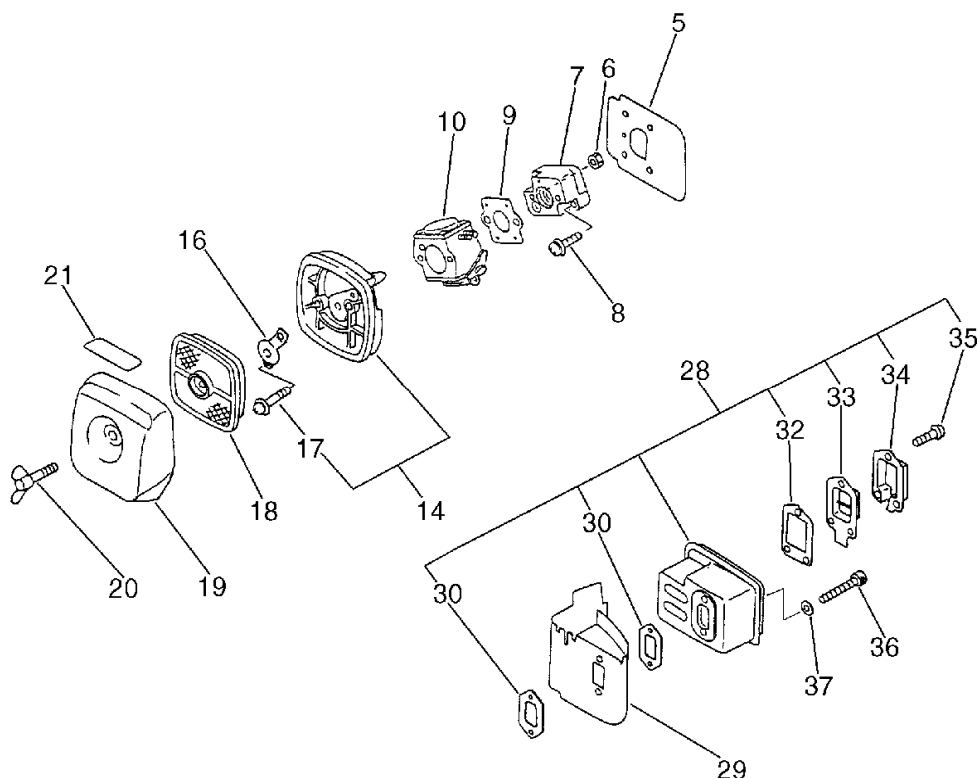
No.2



| KEY | LV | PART NUMBER  | Q'TY | DESCRIPTION        | REMARKS   | NOTE1                | NOTE2 |
|-----|----|--------------|------|--------------------|-----------|----------------------|-------|
| 41  |    | 175019-04920 | 1    | PLATE, CLUTCH      |           |                      |       |
| 45  |    | 175000-02962 | 1    | CLUTCH ASSY        |           |                      |       |
| 42  | +  | 175018-05960 | 2    | SPRING, CLUTCH     |           |                      |       |
| 43  | +  | 175009-05131 | 2    | SHOE, CLUTCH       |           |                      |       |
| 44  | +  | 175016-07330 | 1    | HUB, CLUTCH        |           |                      |       |
| 46  |    | 131920-28230 | 1    | CUSHION, FUEL TANK |           |                      |       |
| 47  |    | 175055-06960 | 1    | HOUSING, CLUTCH    |           |                      |       |
| 48  |    | 900162-04016 | 4    | BOLT, H.S. 4*16    | 4*16 W,SW | Sus. by 900163-04016 |       |
| 48  |    | 900163-04016 | 4    | BOLT HSH           |           |                      |       |

### 3. Air Cleaner, Muffler

No.3

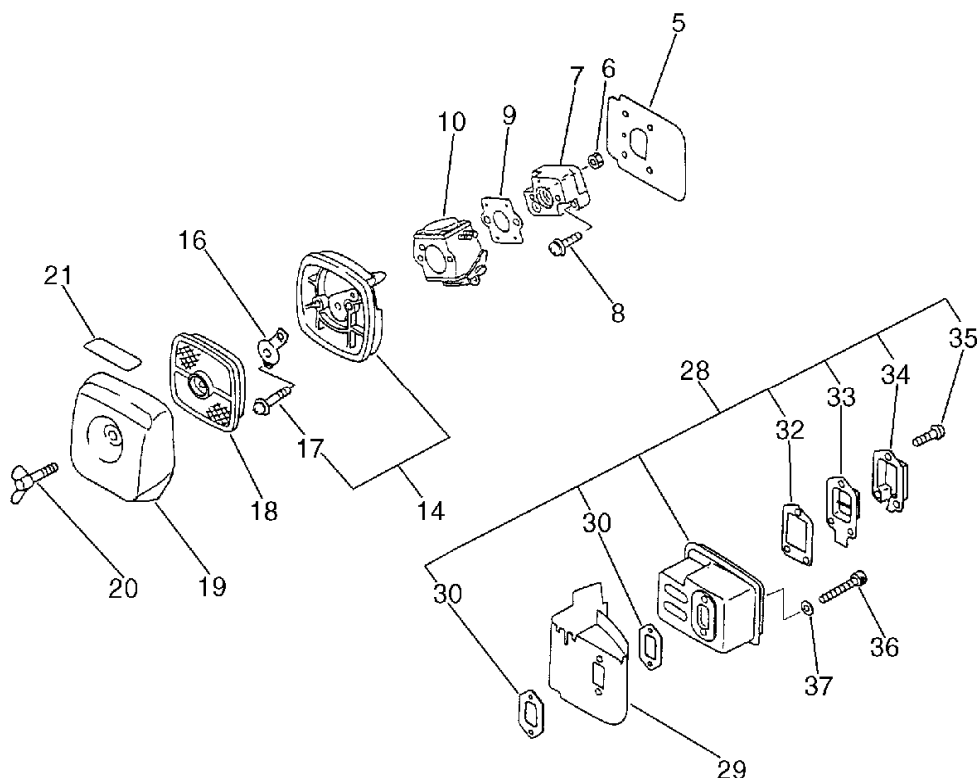


| KEY | LV | PART NUMBER  | Q'TY | DESCRIPTION        | REMARKS | NOTE1                | NOTE2 |
|-----|----|--------------|------|--------------------|---------|----------------------|-------|
| 5   |    | 130010-42032 | 1    | GASKET,INTAKE      |         |                      |       |
| 6   |    | 900500-00005 | 2    | NUT 5              | 5       |                      |       |
| 7   |    | 130017-42031 | 1    | INSULATOR, INTAKE  |         |                      |       |
| 8   |    | 900238-05020 | 2    | SCREW 5*20         | 5*20    |                      |       |
| 9   |    | 130016-42031 | 1    | GASKET, INTAKE     |         | Sus. by V103-000111  |       |
| 9   |    | V103-000111  | 1    | GASKET,INTAKE      |         | Sus. by 130016-42031 |       |
| 9   |    | 130016-42031 | 1    | GASKET, INTAKE     |         |                      |       |
| 10  |    | 125200-08460 | 1    | CARBURETOR ASSY    | C1U-K45 | Sus. by 125200-05964 |       |
| 10  |    | 125200-05961 | 1    | CARBURETOR C1U-K51 | C1U-K51 | Sus. by 125200-05964 |       |
| 10  |    | 125200-05962 | 1    | CARBURETOR         | C1U-K51 | Sus. by 125200-05964 |       |
| 10  |    | 125200-05963 | 1    | CARBURETOR C1U-K51 | C1U-K51 | Sus. by 125200-05964 |       |
| 10  |    | 125200-05964 | 1    | CARBURETOR         | C1U-K51 |                      |       |
| 14  |    | 130307-06561 | 1    | CASE, AIR CLEANER  |         | Sus. by P021-002921  |       |
| 14  |    | P021-002921  | 1    | CASE, AIR CLEANER  |         |                      |       |
| 17  | +  | 900242-05065 | 2    | SCREW 5*65         | 5*65    |                      |       |
| 16  |    | 129011-52730 | 1    | PLATE, PREVENT     |         |                      |       |
| 18  |    | 130310-54130 | 1    | FILTER, AIR        |         |                      |       |
| 19  |    | 130313-06563 | 1    | LID, AIR CLEANER   |         |                      |       |
| 20  |    | 210417-52730 | 1    | BOLT, WING         | 5*20    |                      |       |



### 3. Air Cleaner, Muffler

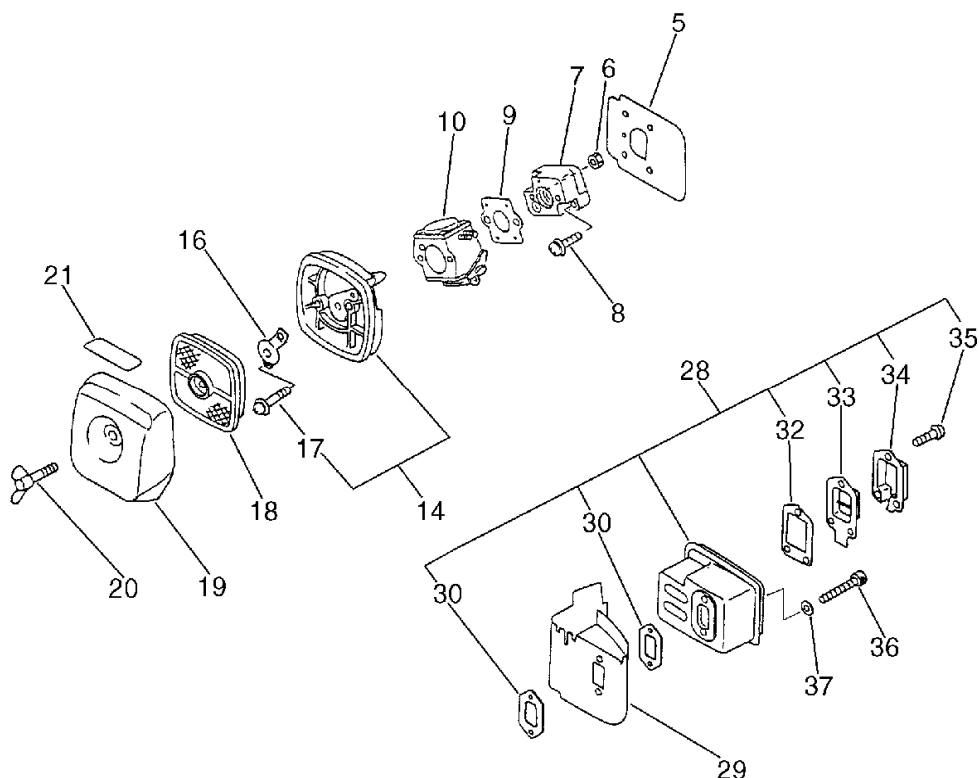
No.3



| KEY | LV | PART NUMBER  | Q'TY | DESCRIPTION         | REMARKS | NOTE1                   | NOTE2 |
|-----|----|--------------|------|---------------------|---------|-------------------------|-------|
| 21  |    | 890121-05360 | 1    | LABEL, METERING     |         |                         |       |
| 29  |    | 145871-44331 | 1    | COVER, MUFFLER      |         | Sus. by A320-000251     |       |
| 29  |    | 145631-42030 | 1    | COVER, MUFFLER      |         | Sus. by A320-000251     |       |
| 29  |    | A320-000250  | 1    | COVER,MUFFLER       |         | Sus. by A320-000251     |       |
| 29  |    | A320-000251  | 1    | COVER,MUFFLER       |         |                         |       |
| 28  |    | 145802-08960 | 1    | MUFFLER ASSY        |         | Sr/Nr 045019 and before |       |
| 28  |    | P021-001330  | 1    | MUFFLER ASY         |         | Sus. by P021-001332     |       |
| 28  |    | P021-001331  | 1    | MUFFLER ASY         |         | Sus. by P021-001332     |       |
| 28  |    | P021-001332  | 1    | MUFFLER ASY         |         | Sr/Nr 045020 and after  |       |
| 30  | +  | 145510-42031 | 2    | GASKET, MUFFLER     |         | Sus. by V104-000160     |       |
| 30  | +  | V104-000160  | 2    | GASKET,EXHAUST      |         |                         |       |
| 32  | +  | 145866-42031 | 1    | GASKET, MUFFLER LID |         | Sr/Nr 045019 and before |       |
| 32  | +  | V104-000000  | 1    | GASKET,EXHAUST      |         | Sus. by V104-000003     |       |
| 32  | +  | V104-000001  | 1    | GASKET,EXHAUST      |         | Sus. by V104-000003     |       |

### 3. Air Cleaner, Muffler

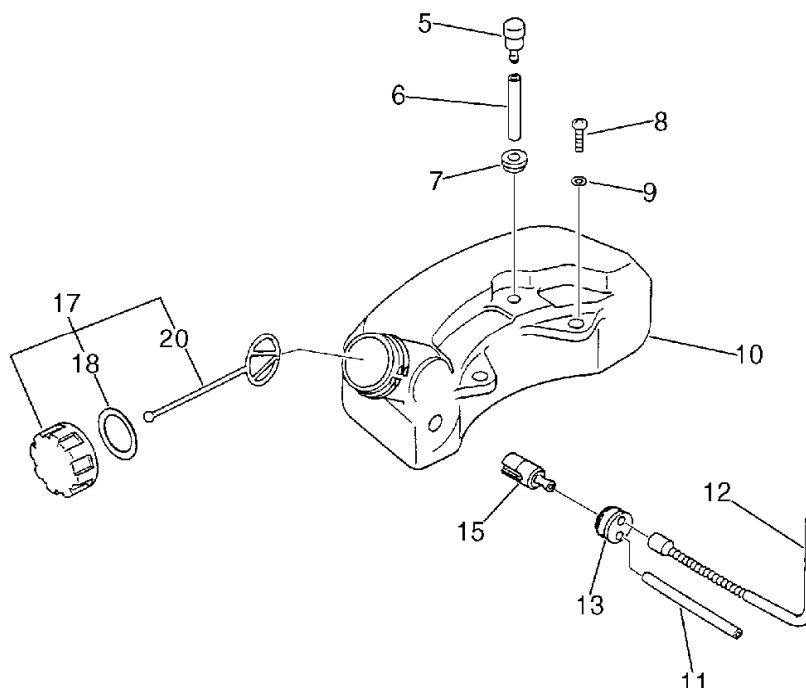
No.3



| KEY | LV | PART NUMBER  | Q'TY | DESCRIPTION      | REMARKS | NOTE1                   | NOTE2 |
|-----|----|--------------|------|------------------|---------|-------------------------|-------|
| 32  | +  | V104-000002  | 1    | GASKET,EXHAUST   |         | Sus. by V104-000003     |       |
| 32  | +  | V104-000003  | 1    | GASKET,EXHAUST   |         | Sr/Nr 045020 and after  |       |
| 33  | +  | 145876-42030 | 1    | LID, MUFFLER (B) |         |                         |       |
| 34  | +  | 145863-08960 | 1    | GUIDE, EXHAUST   |         | Sr/Nr 045019 and before |       |
| 34  | +  | A313-000010  | 1    | GUIDE,EXH        | ID#4000 | Sr/Nr 045020 and after  |       |
| 35  | +  | 900242-04010 | 3    | SCREW 4*10       | 4*10    |                         |       |
| 36  |    | 900105-05055 | 2    | BOLT, H.S. 5*55  | 5*55    |                         |       |
| 37  |    | 900600-00005 | 2    | WASHER 5         | 5       |                         |       |

# 4. Fuel Tank

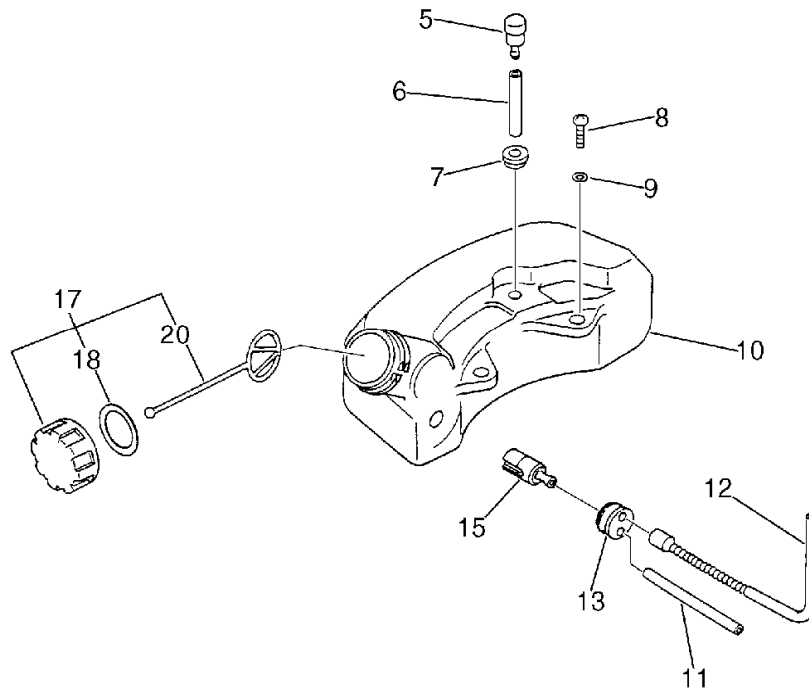
No.4



| KEY | LV | PART NUMBER  | Q'TY | DESCRIPTION        | REMARKS    | NOTE1                | NOTE2 |
|-----|----|--------------|------|--------------------|------------|----------------------|-------|
| 5   |    | 131300-40630 | 1    | VALVE, CHECK       |            | Sus. by A356-000030  |       |
| 5   |    | 131300-56430 | 1    | VALVE, CHECK       |            | Sus. by A356-000030  |       |
| 5   |    | A356-000030  | 1    | VALVE,CHECK        |            |                      |       |
| 6   |    | 132010-21160 | 1    | PIPE, FUEL         | 3*6*35     | Sus. by V471-001180  |       |
| 6   |    | V471-001180  | 1    | PIPE               | 3*6*35 NBR |                      |       |
| 7   |    | 132115-01461 | 1    | GROMMET            |            |                      |       |
| 8   |    | 900238-05016 | 2    | SCREW 5*16         | 5*16       |                      |       |
| 9   |    | 900603-00005 | 2    | WASHER 5           | 5.5*12*0.8 |                      |       |
| 10  |    | 131002-08960 | 1    | TANK, FUEL         |            | Sus. by 131002-08961 |       |
| 10  |    | 131002-08961 | 1    | TANK, FUEL         |            |                      |       |
| 11  |    | 132717-06460 | 1    | PIPE 3*5*110       | 3*5*110    | Sus. by 132010-06460 |       |
| 11  |    | 132010-06460 | 1    | PIPE 3*6*110       | 3*6*110 YL |                      |       |
| 12  |    | 132010-02160 | 1    | PIPE, FUEL (INNER) | L=190      |                      |       |
| 13  |    | 132115-44330 | 1    | GROMMET            |            |                      |       |
| 15  |    | 131205-50430 | 1    | STRAINER, FUEL     |            | Sus. by 131205-07320 |       |
| 15  |    | 131205-07320 | 1    | STRAINER, FUEL     |            |                      |       |
| 17  |    | 131004-06560 | 1    | CAP ASSY,FUEL TANK |            | Sus. by 131004-08960 |       |
| 17  |    | 131004-08960 | 1    | CAP ASSY, FUEL     |            |                      |       |

# 4. Fuel Tank

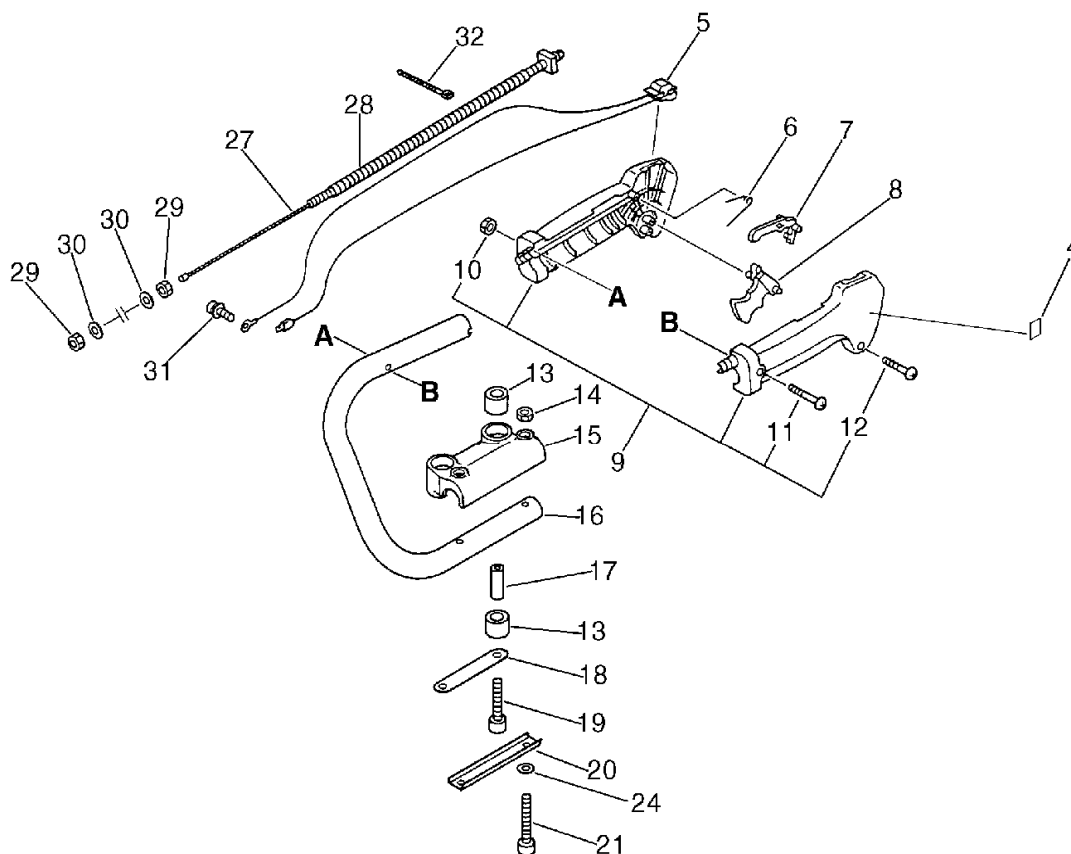
No.4



| KEY | LV | PART NUMBER  | Q'TY | DESCRIPTION      | REMARKS | NOTE1                           | NOTE2 |
|-----|----|--------------|------|------------------|---------|---------------------------------|-------|
| 18  | +  | 131016-40930 | 1    | GASKET, FUEL CAP |         | Can be used on the 131004-06560 |       |
| 18  | +  | 131016-55830 | 1    | GASKET, FUEL CAP |         | Can be used on the 131004-08960 |       |
| 20  | +  | 131051-52430 | 1    | CONNECTOR, CAP   | 80L     |                                 |       |

# 5. Handle

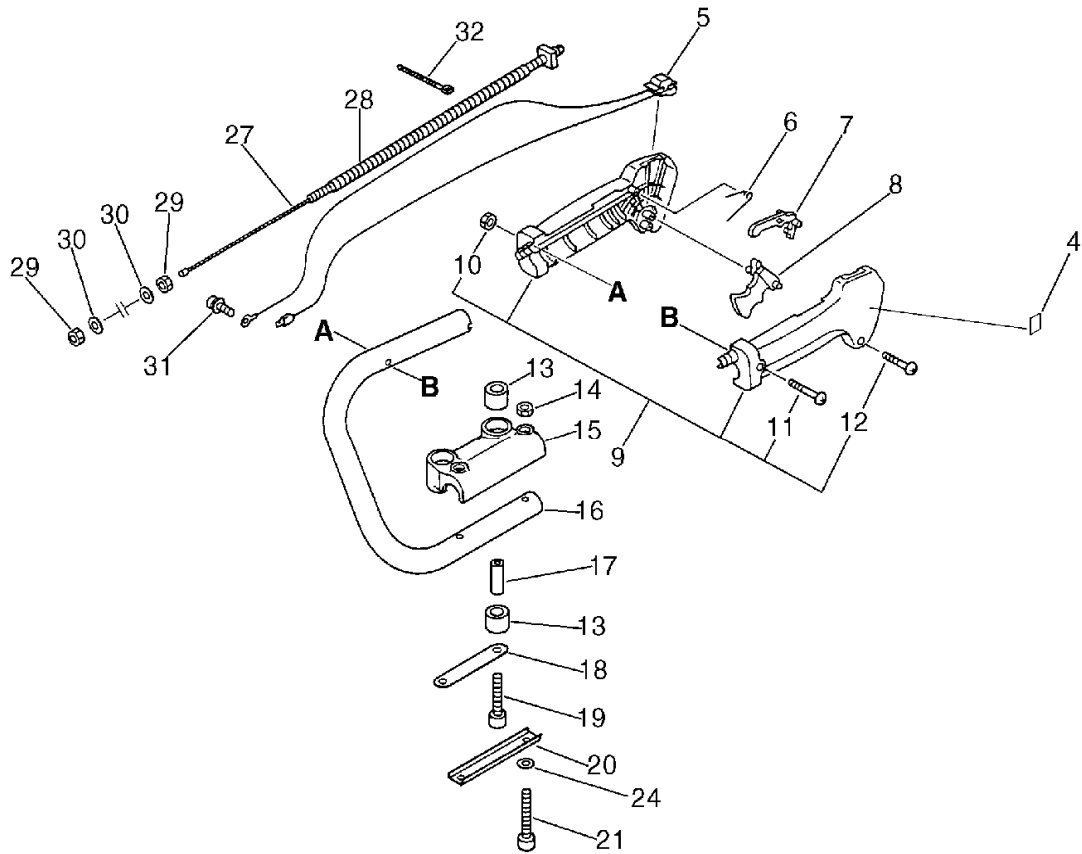
No.5



| KEY | LV | PART NUMBER  | Q'TY | DESCRIPTION         | REMARKS   | NOTE1                | NOTE2 |
|-----|----|--------------|------|---------------------|-----------|----------------------|-------|
| 4   |    | 890157-06560 | 1    | LABEL, SWITCH       |           | Disuse               |       |
| 5   |    | 163400-05960 | 1    | SWITCH, IGNITION    |           | Sus. by A440-000320  |       |
| 5   |    | A440-000320  | 1    | SWITCH, ON OFF      |           |                      |       |
| 6   |    | 178013-35631 | 1    | SPRING, THR. LOCK   |           |                      |       |
| 7   |    | 178012-05960 | 1    | LOCKOUT, THROTTLE   |           |                      |       |
| 8   |    | 178010-05960 | 1    | CONTROL, THROTTLE   |           |                      |       |
| 9   |    | 351102-47530 | 1    | GRIP ASSY, F-HANDLE |           |                      |       |
| 10  | +  | 900500-00005 | 1    | NUT 5               | 5         |                      |       |
| 11  | +  | 900220-05030 | 1    | SCREW 5*30          | 5*30      |                      |       |
| 12  | +  | 900246-03025 | 4    | SCREW 3*25          | 3*25      |                      |       |
| 13  |    | 351228-07760 | 4    | CUSHION             |           |                      |       |
| 14  |    | 900500-00005 | 2    | NUT 5               | 5         |                      |       |
| 15  |    | 351217-07760 | 1    | SUPPORTER, HANDLE   |           | Sus. by 351217-07761 |       |
| 15  |    | 351217-07761 | 1    | SUPPORTER, HANDLE   |           |                      |       |
| 16  |    | 351205-08961 | 1    | HANDLE, REAR        |           |                      |       |
| 17  |    | 351241-01260 | 2    | SPASER              |           |                      |       |
| 18  |    | 351242-06960 | 1    | PLATE, EYE          |           | Sus. by 351242-06961 |       |
| 18  |    | 351242-06961 | 1    | PLATE, EYE          |           |                      |       |
| 19  |    | 900162-05045 | 2    | BOLT, H.S. 5*45     | 5*45 W,SW |                      |       |
| 20  |    | 351243-01260 | 1    | BRACKET             |           |                      |       |
| 21  |    | 900162-05035 | 2    | BOLT, H.S. 5*35     | 5*35 W,SW |                      |       |
| 24  |    | 300217-00610 | 2    | WASHER              |           |                      |       |
| 27  |    | 178001-05960 | 1    | WIRE, THROTTLE      |           |                      |       |

5. Handle

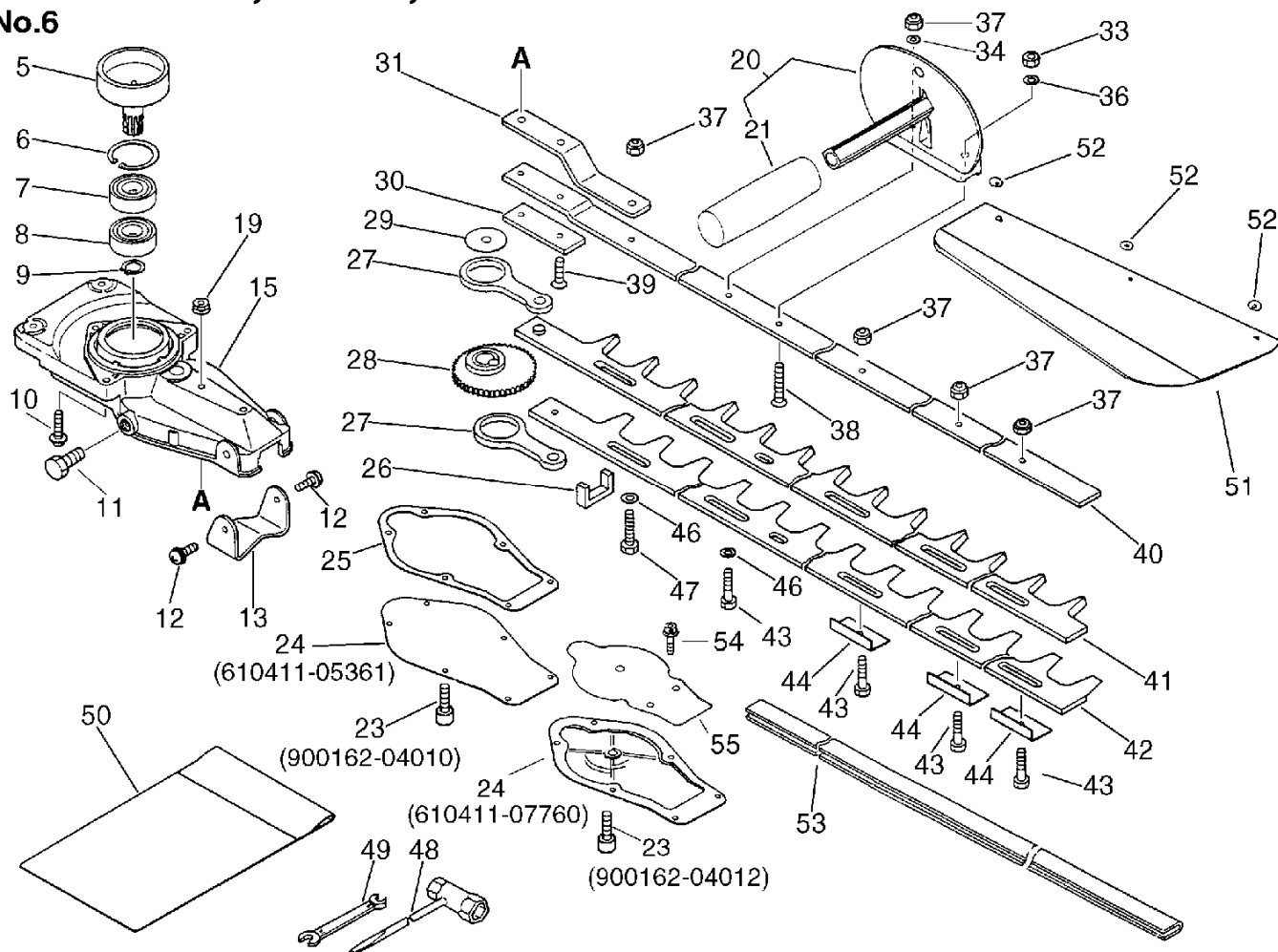
No.5



| KEY | LV | PART NUMBER  | Q'TY | DESCRIPTION | REMARKS | NOTE1 | NOTE2 |
|-----|----|--------------|------|-------------|---------|-------|-------|
| 28  |    | 178127-05960 | 1    | TUBE        | 7*330   |       |       |
| 29  |    | 900502-00006 | 2    | NUT 6 (3N)  | 3N6     |       |       |
| 30  |    | 900600-00006 | 2    | WASHER 6    | 6       |       |       |
| 31  |    | 900238-05010 | 1    | SCREW 5*10  | 5*10    |       |       |
| 32  |    | 178121-10050 | 1    | BAND        | CV-150  |       |       |

## 6. Gear Case, Cutter, Tools

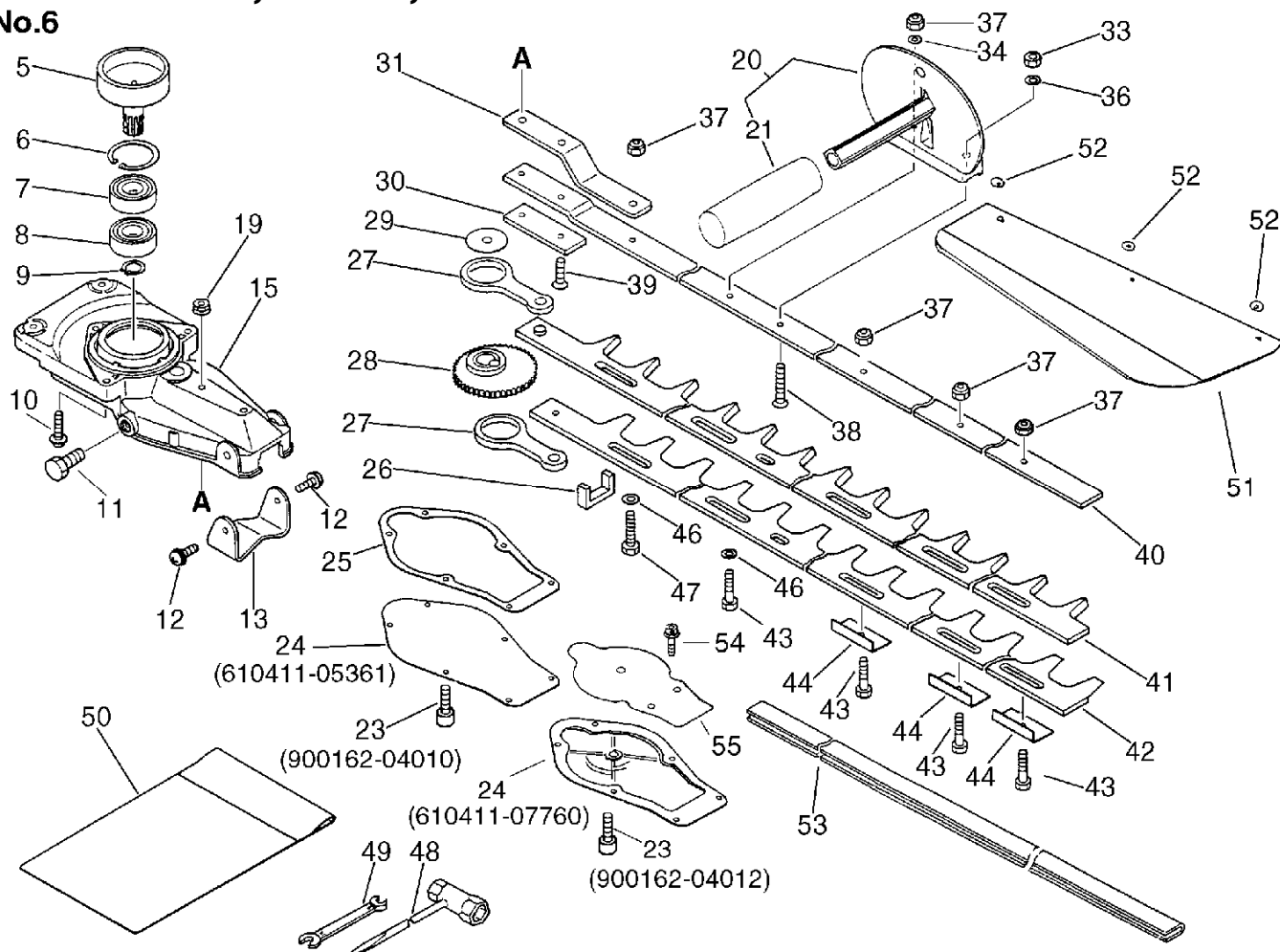
No.6



| KEY | LV | PART NUMBER  | Q'TY | DESCRIPTION        | REMARKS    | NOTE1                   | NOTE2 |
|-----|----|--------------|------|--------------------|------------|-------------------------|-------|
| 5   |    | 175005-04560 | 1    | DRUM, CLUTCH       |            |                         |       |
| 6   |    | 900702-00035 | 1    | CIRCLIP 35         | CR-35      |                         |       |
| 7   |    | 900813-36202 | 1    | BEARING, BALL 6202 | 6202Z/C3   |                         |       |
| 8   |    | 900810-36202 | 1    | BEARING, BALL 6202 | 6202/C3    |                         |       |
| 9   |    | 900701-00014 | 1    | CIRCLIP 14         | CS-14      |                         |       |
| 10  |    | 900162-05025 | 3    | BOLT, H.S. 5*25    | 5*25 W,SW  |                         |       |
| 11  |    | 610434-50030 | 1    | BOLT 8* 6          |            |                         |       |
| 12  |    | 900238-05010 | 2    | SCREW 5*10         | 5*10       | Sr/Nr 040837 and before |       |
| 13  |    | 305110-07760 | 1    | STAND              |            | Sr/Nr 040837 and before |       |
| 15  |    | 610410-07760 | 1    | CASE, GEAR         |            | Sr/Nr 040837 and before |       |
| 15  |    | 610407-07760 | 1    | CASE, GEAR         |            | Sr/Nr 040838 and after  |       |
| 19  |    | 900500-00006 | 2    | NUT 6              | 6          |                         |       |
| 20  |    | 351200-07360 | 1    | HANDLE ASSY        |            | Sus. by 351200-07363    |       |
| 20  |    | 351200-07361 | 1    | HANDLE ASY         |            | Sus. by 351200-07363    |       |
| 20  |    | 351200-07362 | 1    | HANDLE ASY         |            | Sus. by 351200-07363    |       |
| 20  |    | 351200-07363 | 1    | HANDLE ASY         |            |                         |       |
| 21  | +  | 351012-07360 | 1    | GRIP, HANDLE       | 22*32*155L | Sus. by 351012-07361    |       |
| 21  | +  | 351012-07361 | 1    | GRIP, REAR HANDLE  |            |                         |       |

### 6. Gear Case, Cutter, Tools

No.6

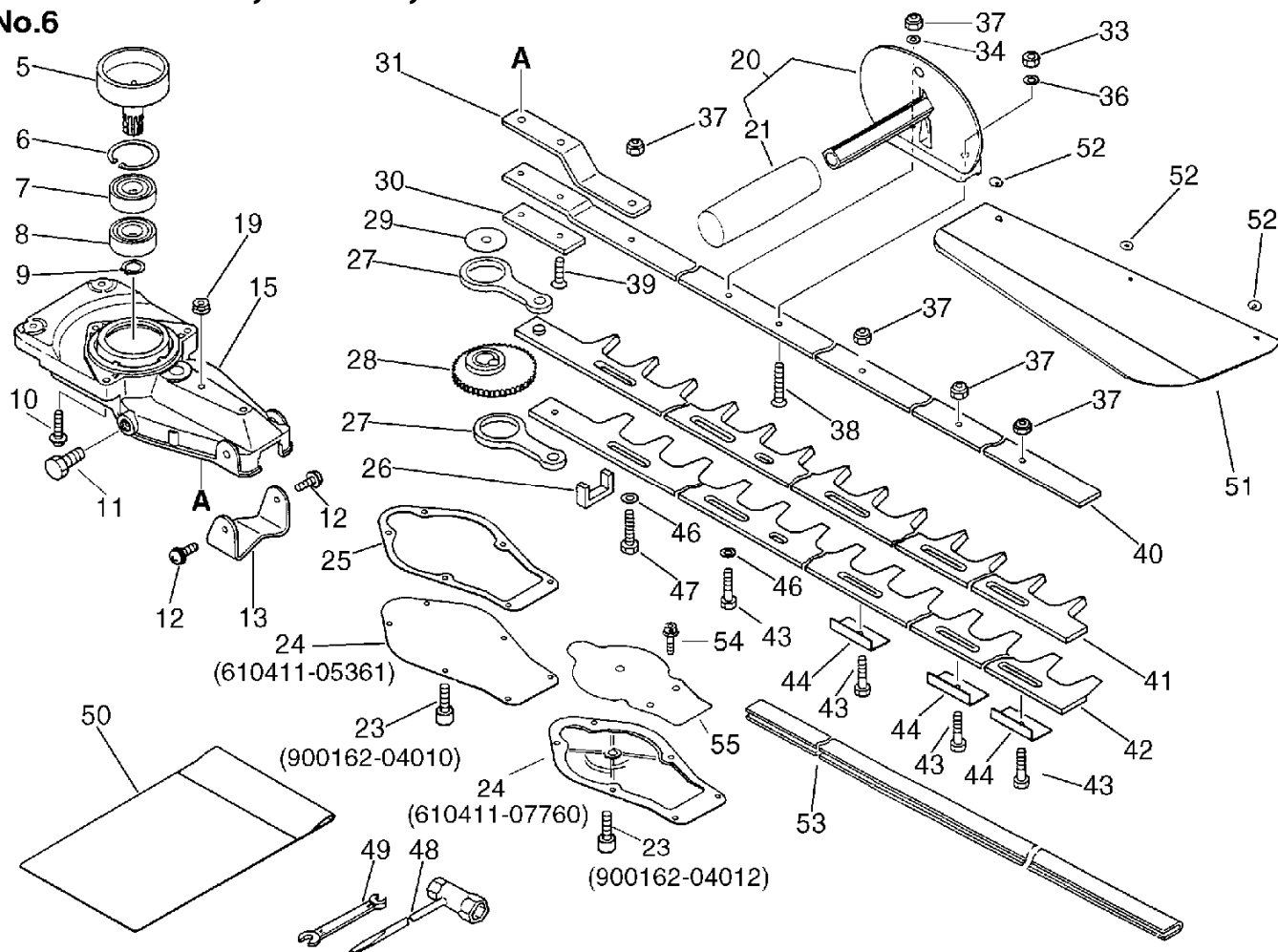


| KEY | LV | PART NUMBER  | Q'TY | DESCRIPTION          | REMARKS   | NOTE1 | NOTE2                   |
|-----|----|--------------|------|----------------------|-----------|-------|-------------------------|
| 23  |    | 900162-04010 | 6    | BOLT, H.S. 4*10      | 4*10 W,SW |       | Sr/Nr 040837 and before |
| 23  |    | 900162-04012 | 6    | BOLT, H.S. 4*12      | 4*12 W,SW |       | Sr/Nr 040838 and after  |
| 24  |    | 610411-05361 | 1    | LID, GEARCASE        |           |       | Sr/Nr 040837 and before |
| 24  |    | 610411-07760 | 1    | LID, GEAR CASE       |           |       | Sr/Nr 040838 and after  |
| 25  |    | 610414-05360 | 1    | GASKET, GEAR HOUSING |           |       |                         |
| 26  |    | 610425-04560 | 1    | SEAL                 |           |       |                         |
| 27  |    | 610330-04560 | 2    | ROD, CONNECTING      |           |       | Sus. by C532-000120     |
| 27  |    | 610330-04561 | 2    | ROD, CONNECTING      |           |       | Sus. by C532-000120     |
| 27  |    | C532-000120  | 2    | ROD, CONNECTING      |           |       |                         |
| 28  |    | 610312-04560 | 1    | GEAR                 |           |       |                         |
| 29  |    | 610350-04560 | 1    | WASHER               |           |       |                         |
| 30  |    | 699118-07760 | 1    | PLATE, EYE           |           |       |                         |
| 31  |    | 699120-06560 | 1    | PLATE, ANGLE         |           |       |                         |
| 33  |    | 900560-00005 | 1    | NUT, LOCK 5          | 5         |       |                         |
| 34  |    | 358123-01110 | 1    | WASHER               | 6.5*19*1  |       | Sus. by 351249-20060    |
| 34  |    | 351249-20060 | 1    | WASHER               | 6.5*16*1  |       |                         |
| 36  |    | 300217-00610 | 1    | WASHER               |           |       |                         |
| 37  |    | 433022-06460 | 5    | NUT                  |           |       |                         |
| 38  |    | 900212-05030 | 1    | SCREW (5*30*P0.8)    | +SF5*30   |       |                         |



## 6. Gear Case, Cutter, Tools

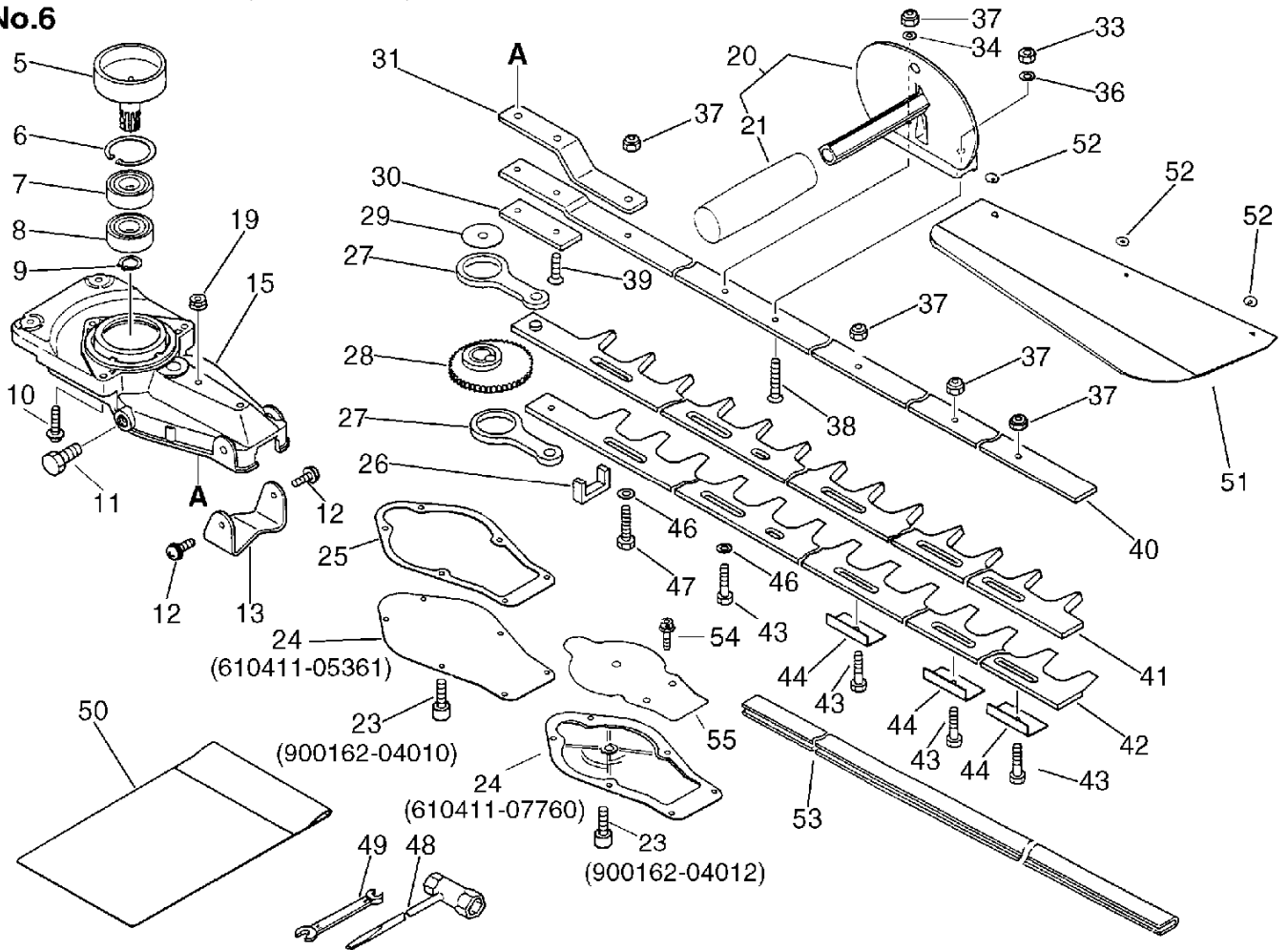
No.6



| KEY | LV | PART NUMBER  | Q'TY | DESCRIPTION         | REMARKS       | NOTE1                | NOTE2 |
|-----|----|--------------|------|---------------------|---------------|----------------------|-------|
| 39  |    | 900212-06025 | 2    | SCREW 6*25          | +SF6*25       |                      |       |
| 40  |    | 699110-07760 | 1    | BAR, FRAME          |               | Sus. by X425-000250  |       |
| 40  |    | X425-000040  | 1    | SUPPORT,CUTTER      |               | Sus. by X425-000250  |       |
| 40  |    | X425-000250  | 1    | SUPPORT,CUTTER      | L=821.5 T=4.5 |                      |       |
| 41  |    | 697010-07760 | 1    | CUTTER              |               | Sus. by X411-000360  |       |
| 41  |    | X411-000060  | 1    | CUTTER              |               | Sus. by X411-000360  |       |
| 41  |    | X411-000360  | 1    | CUTTER              | L=790         |                      |       |
| 42  |    | 697011-07760 | 1    | CUTTER              |               | Sus. by X411-000370  |       |
| 42  |    | X411-000070  | 1    | CUTTER              |               | Sus. by X411-000370  |       |
| 42  |    | X411-000370  | 1    | CUTTER              | L=787         |                      |       |
| 43  |    | 699115-04660 | 3    | BOLT 6              | 6*18L         | Sus. by 699115-07760 |       |
| 43  |    | 699115-07760 | 4    | BOLT, CUTTER        |               |                      |       |
| 44  |    | 699213-04160 | 3    | INSULATOR           |               |                      |       |
| 46  |    | 699118-04560 | 2    | WASHER              |               |                      |       |
| 47  |    | 699115-05360 | 1    | BOLT                |               |                      |       |
| 48  |    | 895410-00430 | 1    | WRENCH, W/S. DRIVER |               |                      |       |
| 49  |    | 895112-00330 | 1    | SPANNER 8*10        |               |                      |       |
| 50  |    | 898510-39130 | 1    | BAG, TOOL           |               | Disuse               |       |

## 6. Gear Case, Cutter, Tools

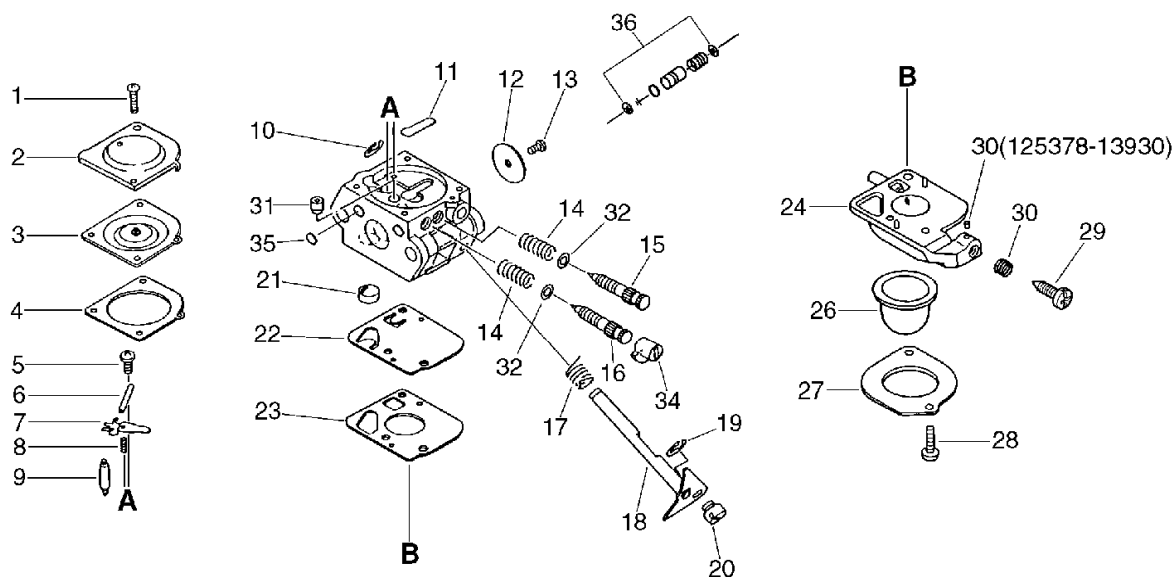
No.6



| KEY | LV | PART NUMBER  | Q'TY | DESCRIPTION       | REMARKS   | NOTE1                  | NOTE2 |
|-----|----|--------------|------|-------------------|-----------|------------------------|-------|
| 51  |    | 699511-06560 | 1    | GUIDE, CORRECTION |           |                        |       |
| 52  |    | 900603-00006 | 3    | WASHER 6          | 6.5*13*1  |                        |       |
| 53  |    | 898523-02961 | 1    | COVER, CUTTER     |           |                        |       |
| 54  |    | 900162-05012 | 2    | BOLT, H.S. 5*12   | 5*12 W,SW | Sr/Nr 040838 and after |       |
| 55  |    | 610447-07760 | 1    | PLATE,CASE LID    |           | Sr/Nr 040838 and after |       |

# 7. Carburetor

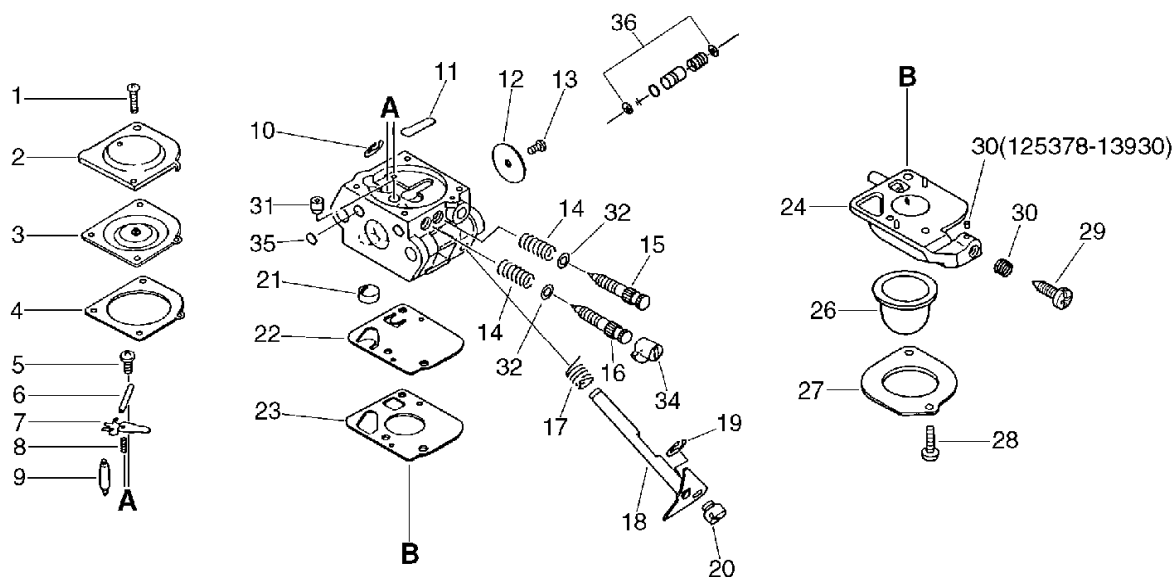
No.7



| KEY | LV | PART NUMBER  | Q'TY | DESCRIPTION         | REMARKS | NOTE1                  | NOTE2 |
|-----|----|--------------|------|---------------------|---------|------------------------|-------|
|     |    | 125200-08460 | 1    | CARBURETOR ASSY     | C1U-K45 | Sus. by 125200-05964   |       |
|     |    | 125200-05961 | 1    | CARBURETOR C1U-K51  | C1U-K51 | Sus. by 125200-05964   |       |
|     |    | 125200-05962 | 1    | CARBURETOR          | C1U-K51 | Sus. by 125200-05964   |       |
|     |    | 125200-05963 | 1    | CARBURETOR C1U-K51  | C1U-K51 | Sus. by 125200-05964   |       |
|     |    | 125200-05964 | 1    | CARBURETOR          | C1U-K51 |                        |       |
| 1   | +  | 125344-52130 | 2    | SCREW               |         |                        |       |
| 2   | +  | 125342-13210 | 1    | COVER, DIAPHRAGM    |         | Sus. by 125342-52130   |       |
| 2   | +  | 125342-52130 | 1    | COVER, DIAPHRAGM    |         |                        |       |
| 3   | +  | 125341-42030 | 1    | DIAPHRAGM           |         | Sr/Nr 037646 to 043778 |       |
| 3   | +  | 125341-49030 | 1    | DIAPHRAGM           |         | Sr/Nr 043779 and after |       |
| 4   | +  | 125340-51030 | 1    | GASKET, DIAPHRAGM   |         |                        |       |
| 5   | +  | 125339-42030 | 1    | SCREW               |         |                        |       |
| 6   | +  | 125338-13930 | 1    | PIN, METERING ARM   |         |                        |       |
| 7   | +  | 125323-42030 | 1    | LEVER, METERING     |         |                        |       |
| 8   | +  | 125322-42030 | 1    | SPRING, COIL        |         |                        |       |
| 9   | +  | 125337-06960 | 1    | VALVE, INLET NEEDLE |         |                        |       |
| 10  | +  | 125327-15130 | 1    | CLIP                |         |                        |       |
| 11  | +  | 125345-15130 | 1    | PLUG, WELCH         |         |                        |       |
| 12  | +  | 125316-49030 | 1    | VALVE, THROTTLE     |         |                        |       |

# 7. Carburetor

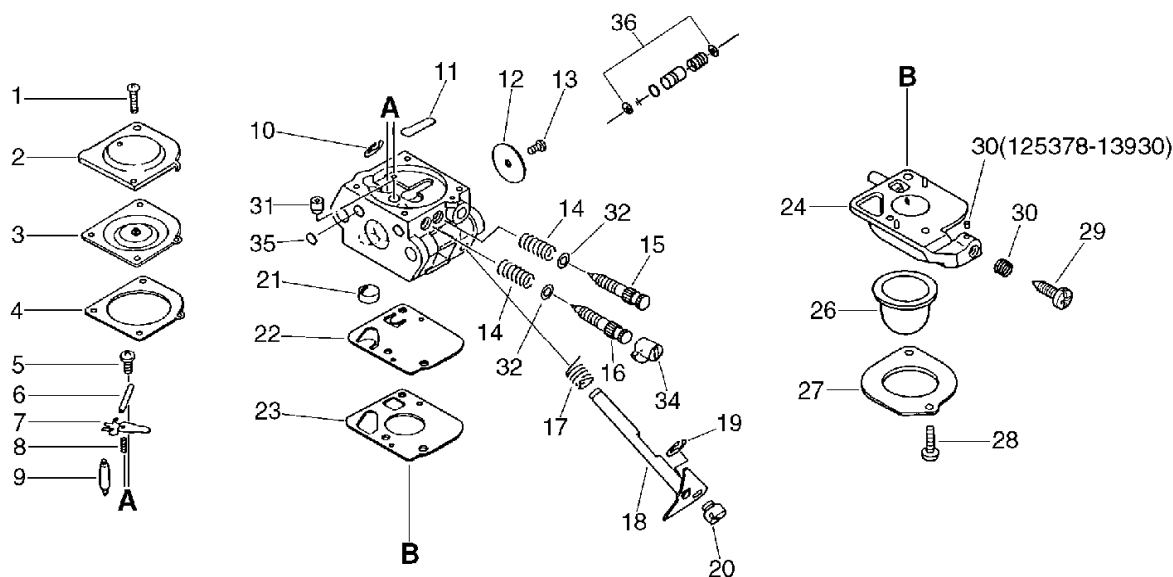
## No.7



| KEY | LV | PART NUMBER  | Q'TY | DESCRIPTION          | REMARKS | NOTE1                              | NOTE2 |
|-----|----|--------------|------|----------------------|---------|------------------------------------|-------|
| 13  | +  | 125314-13930 | 1    | SCREW                | 3*4     |                                    |       |
| 14  | +  | 125319-42030 | 2    | SPRING, COIL         |         | Sr/Nr 037646 to 043778             |       |
| 15  | +  | 125318-07360 | 1    | NEEDLE, IDLE         |         | Sr/Nr 037646 to 043778             |       |
| 15  | +  | 125318-13120 | 1    | SCREW, IDLE NEEDLE   |         | Sr/Nr 043779 and after             |       |
| 16  | +  | 125320-07360 | 1    | NEEDLE, HIGH SPEED   |         | Sr/Nr 037646 to 043778             |       |
| 16  | +  | 125320-13310 | 1    | NEEDLE, HIGH SPEED   |         | Sr/Nr 043779 and after             |       |
| 17  | +  | 125313-42030 | 1    | SPRING, THRT. RETURN |         |                                    |       |
| 18  | +  | 125317-49030 | 1    | SHAFT, THROTTLE      |         | Sr/Nr 037646 to 043778             |       |
| 18  | +  | 125317-13310 | 1    | SHAFT, THROTTLE      |         | Sr/Nr 043779 and after             |       |
| 19  | +  | 125327-13930 | 1    | CLIP                 |         |                                    |       |
| 20  | +  | 125372-42030 | 1    | SWIVEL               |         |                                    |       |
| 21  | +  | 125326-42030 | 1    | STRAINER             |         |                                    |       |
| 22  | +  | 125312-42030 | 1    | DIAPHRAGM, FUEL PUMP |         | Can be used on the 125200-08460    |       |
| 22  | +  | 125312-12820 | 1    | DIAPHRAGM, FUEL PUMP |         | Can be used on 125200-05961,-05962 |       |

# 7. Carburetor

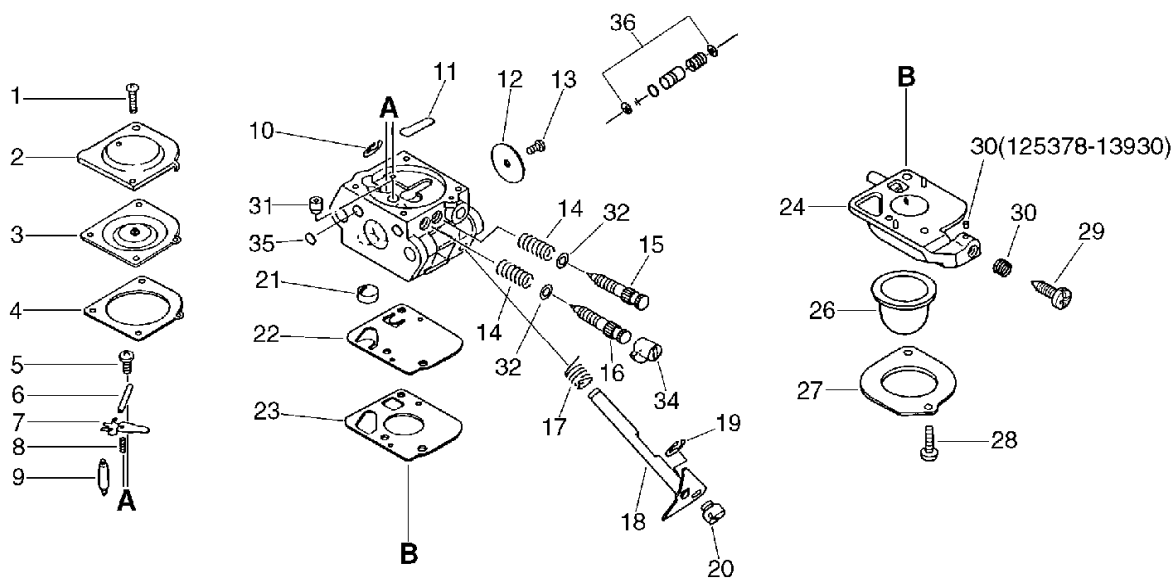
## No.7



| KEY | LV | PART NUMBER  | Q'TY | DESCRIPTION          | REMARKS | NOTE1                   | NOTE2 |
|-----|----|--------------|------|----------------------|---------|-------------------------|-------|
| 23  | +  | 125325-42030 | 1    | GASKET, FUEL PUMP    |         | Sus. by 125325-13310    |       |
| 23  | +  | 125325-13310 | 1    | GASKET, PUMP         |         |                         |       |
| 24  | +  | 125324-11610 | 1    | COVER, PUMP          |         | Sus. by 125325-13310    |       |
| 24  | +  | 125383-13310 | 1    | BASE, PRIMER         |         | Sus. by P005-000590     |       |
| 24  | +  | P005-000590  | 1    | BASE,ASY PRIMER      |         |                         |       |
| 26  | +  | 125381-46730 | 1    | PUMP, PRIMING        |         | Sus. by 125381-08660    |       |
| 26  | +  | 125381-08660 | 1    | PUMP, PRIMING        |         |                         |       |
| 27  | +  | 125363-11610 | 1    | RING                 |         |                         |       |
| 28  | +  | 125310-11610 | 2    | SCREW                |         |                         |       |
| 29  | +  | 125334-13930 | 1    | SCREW, IDLE ADJUST   |         | Sr/Nr 044793 and before |       |
| 29  | +  | 125334-06960 | 1    | SCREW,THROTTLEADJUST |         | Sr/Nr 044794 and after  |       |
| 30  | +  | 125378-13930 | 1    | PIECE, FRICTION      |         | Sr/Nr 044793 and before |       |
| 30  | +  | 125333-06960 | 1    | SPRING,IDLE ADJUSTER |         | Sr/Nr 044794 and after  |       |
| 31  | +  | 125376-49030 | 1    | NOZZLE, CHACK VALVE  |         | Sus. by 125376-13120    |       |
| 31  | +  | 125376-13120 | 1    | NOZZLE, CHECK VALVE  |         |                         |       |
| 32  | +  | 125353-20560 | 2    | WASHER               |         | Sr/Nr 037646 to 043778  |       |

# 7. Carburetor

No.7



| KEY | LV | PART NUMBER  | Q'TY | DESCRIPTION          | REMARKS | NOTE1 | NOTE2 |
|-----|----|--------------|------|----------------------|---------|-------|-------|
| 34  | +  | 125329-39030 | 1    | LIMITER, MIXTURE     |         |       |       |
| 35  | +  | 125345-13310 | 1    | PLUG, WELCH          |         |       |       |
| 36  | +  | 125306-13310 | 1    | PUMP KIT, ACC.       |         |       |       |
|     |    | 125303-13310 | 1    | DIAPHRAGM/GASKET KIT |         |       |       |
|     |    | 125300-13310 | 1    | REBUILD KIT          |         |       |       |

## 8. Repair Kit

| KEY  | LV | PART NUMBER  | Q'TY | DESCRIPTION          | REMARKS | NOTE1 | NOTE2 |
|------|----|--------------|------|----------------------|---------|-------|-------|
|      |    | 125303-13310 | 1    | DIAPHRAGM/GASKET KIT |         |       |       |
| 7-3  | +  | 125341-49030 | 1    | DIAPHRAGM            |         |       |       |
| 7-4  | +  | 125340-51030 | 1    | GASKET, DIAPHRAGM    |         |       |       |
| 7-23 | +  | 125325-13310 | 1    | GASKET, PUMP         |         |       |       |
|      | +  | 125312-42030 | 1    | DIAPHRAGM, FUEL PUMP |         |       |       |
|      |    | 125300-13310 | 1    | REBUILD KIT          |         |       |       |
| 7-3  | +  | 125341-49030 | 1    | DIAPHRAGM            |         |       |       |
| 7-4  | +  | 125340-51030 | 1    | GASKET, DIAPHRAGM    |         |       |       |
| 7-6  | +  | 125338-13930 | 1    | PIN, METERING ARM    |         |       |       |
| 7-7  | +  | 125323-42030 | 1    | LEVER, METERING      |         |       |       |
| 7-8  | +  | 125322-42030 | 1    | SPRING, COIL         |         |       |       |
| 7-9  | +  | 125337-06960 | 1    | VALVE, INLET NEEDLE  |         |       |       |
| 7-11 | +  | 125345-15130 | 1    | PLUG, WELCH          |         |       |       |
| 7-21 | +  | 125326-42030 | 1    | STRAINER             |         |       |       |
| 7-23 | +  | 125325-13310 | 1    | GASKET, PUMP         |         |       |       |
|      | +  | 125312-42030 | 1    | DIAPHRAGM, FUEL PUMP |         |       |       |

**Index**

| <b>Patrs Number</b> | <b>Key No.</b> | <b>Patrs Number</b> | <b>Key No.</b> | <b>Patrs Number</b> | <b>Key No.</b> |
|---------------------|----------------|---------------------|----------------|---------------------|----------------|
| 100000-06961        | 1 - 12         | 125319-42030        | 7 - 14         | 130016-42031        | 3 - 9          |
| 100000-06962        | 1 - 12         | 125320-07360        | 7 - 16         | 130016-42031        | 3 - 9          |
| 100000-07760        | 1 - 12         | 125320-13310        | 7 - 16         | 130017-42031        | 3 - 7          |
| 100011-05330        | 1 - 14         | 125322-42030        | 7 - 8          | 130307-06561        | 3 - 14         |
| 100013-11520        | 1 - 16         | 125322-42030        | 8 - 7-8        | 130310-54130        | 3 - 18         |
| 100014-08960        | 1 - 13         | 125323-42030        | 7 - 7          | 130313-06563        | 3 - 19         |
| 100015-04630        | 1 - 15         | 125323-42030        | 8 - 7-7        | 131002-08960        | 4 - 10         |
| 100100-07760        | 1 - 10         | 125324-11610        | 7 - 24         | 131002-08961        | 4 - 10         |
| 100100-09760        | 1 - 10         | 125325-13310        | 7 - 23         | 131004-06560        | 4 - 17         |
| 100113-05930        | 1 - 11         | 125325-13310        | 8 - 7-23       | 131004-08960        | 4 - 17         |
| 100204-52130        | 1 - 4          | 125325-13310        | 8 - 7-23       | 131016-40930        | 4 - 18         |
| 100204-52131        | 1 - 4          | 125325-42030        | 7 - 23         | 131016-55830        | 4 - 18         |
| 100204-52132        | 1 - 4          | 125326-42030        | 7 - 21         | 131051-52430        | 4 - 20         |
| 100212-42030        | 1 - 5          | 125326-42030        | 8 - 7-21       | 131205-07320        | 4 - 15         |
| 100212-42031        | 1 - 5          | 125327-13930        | 7 - 19         | 131205-50430        | 4 - 15         |
| 100215-03930        | 1 - 8          | 125327-15130        | 7 - 10         | 131300-40630        | 4 - 5          |
| 100242-42030        | 1 - 7          | 125329-39030        | 7 - 34         | 131300-56430        | 4 - 5          |
| 101010-44332        | 1 - 18         | 125333-06960        | 7 - 30         | 131920-28230        | 2 - 46         |
| 101011-06560        | 1 - 19         | 125334-06960        | 7 - 29         | 132010-02160        | 4 - 12         |
| 101011-06561        | 1 - 19         | 125334-13930        | 7 - 29         | 132010-06460        | 4 - 11         |
| 101011-06562        | 1 - 19         | 125337-06960        | 7 - 9          | 132010-21160        | 4 - 6          |
| 101514-08960        | 1 - 25         | 125337-06960        | 8 - 7-9        | 132115-01461        | 4 - 7          |
| 125200-05961        | 3 - 10         | 125338-13930        | 7 - 6          | 132115-44330        | 4 - 13         |
| 125200-05961        | 7 -            | 125338-13930        | 8 - 7-6        | 132717-06460        | 4 - 11         |
| 125200-05962        | 3 - 10         | 125339-42030        | 7 - 5          | 145510-42031        | 3 - 30         |
| 125200-05962        | 7 -            | 125340-51030        | 7 - 4          | 145631-42030        | 3 - 29         |
| 125200-05963        | 3 - 10         | 125340-51030        | 8 - 7-4        | 145802-08960        | 3 - 28         |
| 125200-05963        | 7 -            | 125340-51030        | 8 - 7-4        | 145863-08960        | 3 - 34         |
| 125200-05964        | 3 - 10         | 125341-42030        | 7 - 3          | 145866-42031        | 3 - 32         |
| 125200-05964        | 7 -            | 125341-49030        | 7 - 3          | 145871-44331        | 3 - 29         |
| 125200-08460        | 3 - 10         | 125341-49030        | 8 - 7-3        | 145876-42030        | 3 - 33         |
| 125200-08460        | 7 -            | 125341-49030        | 8 - 7-3        | 156110-04920        | 2 - 31         |
| 125300-13310        | 7 -            | 125342-13210        | 7 - 2          | 156601-52130        | 2 - 25         |
| 125300-13310        | 8 -            | 125342-52130        | 7 - 2          | 156626-52730        | 2 - 25         |
| 125303-13310        | 7 -            | 125344-52130        | 7 - 1          | 156801-09660        | 2 - 23         |
| 125303-13310        | 8 -            | 125345-13310        | 7 - 35         | 156801-12360        | 2 - 23         |
| 125306-13310        | 7 - 36         | 125345-15130        | 7 - 11         | 156801-44731        | 2 - 23         |
| 125310-11610        | 7 - 28         | 125345-15130        | 8 - 7-11       | 159011-03432        | 2 - 29         |
| 125312-12820        | 7 - 22         | 125353-20560        | 7 - 32         | 159012-01620        | 2 - 30         |
| 125312-42030        | 7 - 22         | 125363-11610        | 7 - 27         | 159017-10230        | 2 - 28         |
| 125312-42030        | 8 -            | 125372-42030        | 7 - 20         | 162010-52830        | 2 - 32         |
| 125312-42030        | 8 -            | 125376-13120        | 7 - 31         | 162021-52130        | 2 - 32         |
| 125313-42030        | 7 - 17         | 125376-49030        | 7 - 31         | 163400-05960        | 5 - 5          |
| 125314-13930        | 7 - 13         | 125378-13930        | 7 - 30         | 175000-02962        | 2 - 45         |
| 125316-49030        | 7 - 12         | 125381-08660        | 7 - 26         | 175005-04560        | 6 - 5          |
| 125317-13310        | 7 - 18         | 125381-46730        | 7 - 26         | 175009-05131        | 2 - 43         |
| 125317-49030        | 7 - 18         | 125383-13310        | 7 - 24         | 175014-05360        | 2 - 40         |
| 125318-07360        | 7 - 15         | 129011-52730        | 3 - 16         | 175016-07330        | 2 - 44         |
| 125318-13120        | 7 - 15         | 130010-42032        | 3 - 5          | 175018-05960        | 2 - 42         |

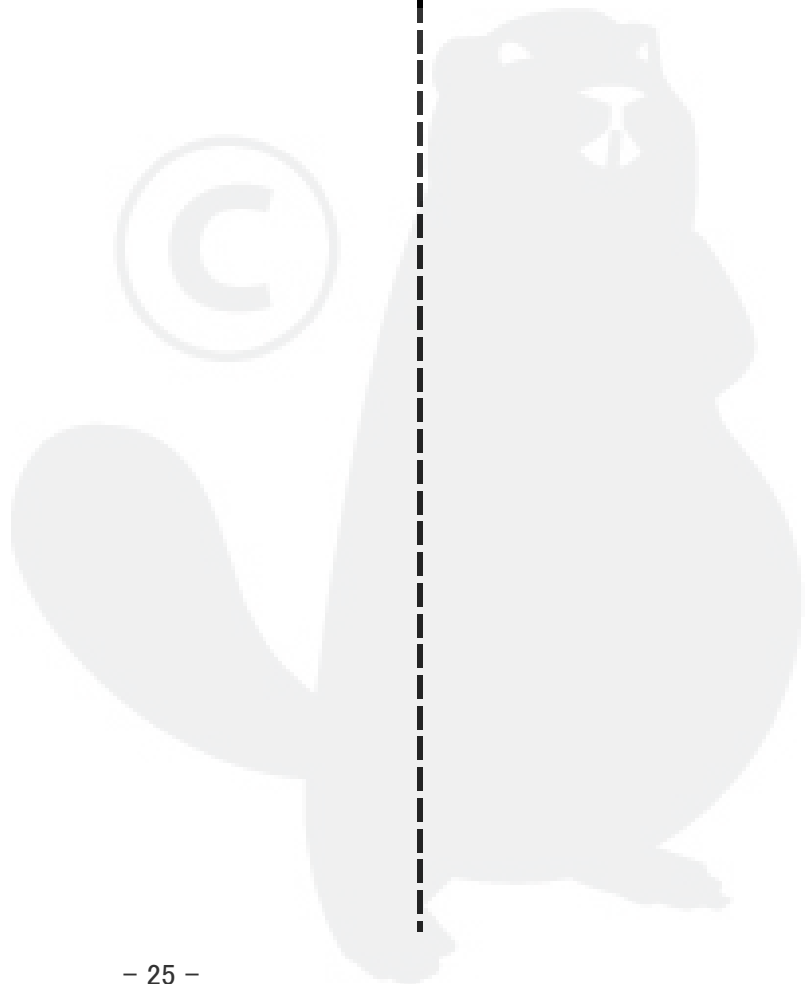
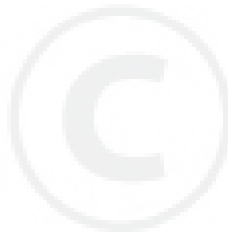


**Index**

| <b>Patrs Number</b> | <b>Key No.</b> | <b>Patrs Number</b> | <b>Key No.</b> | <b>Patrs Number</b> | <b>Key No.</b> |
|---------------------|----------------|---------------------|----------------|---------------------|----------------|
| 175019-04920        | 2 - 41         | 610414-05360        | 6 - 25         | 900242-05065        | 3 - 17         |
| 175055-06960        | 2 - 47         | 610425-04560        | 6 - 26         | 900246-03025        | 5 - 12         |
| 177200-05962        | 2 - 7          | 610434-50030        | 6 - 11         | 900500-00005        | 3 - 6          |
| 177202-07360        | 2 - 18         | 610447-07760        | 6 - 55         | 900500-00005        | 5 - 10         |
| 177202-07361        | 2 - 18         | 697010-07760        | 6 - 41         | 900500-00005        | 5 - 14         |
| 177215-05960        | 2 - 10         | 697011-07760        | 6 - 42         | 900500-00006        | 6 - 19         |
| 177218-44330        | 2 - 19         | 699110-07760        | 6 - 40         | 900502-00006        | 5 - 29         |
| 177220-42030        | 2 - 9          | 699115-04660        | 6 - 43         | 900512-00008        | 2 - 16         |
| 177226-05960        | 2 - 13         | 699115-05360        | 6 - 47         | 900560-00005        | 6 - 33         |
| 177227-42030        | 2 - 14         | 699115-07760        | 6 - 43         | 900600-00005        | 3 - 37         |
| 177228-06530        | 2 - 15         | 699118-04560        | 6 - 46         | 900600-00006        | 5 - 30         |
| 177234-05960        | 2 - 20         | 699118-07760        | 6 - 30         | 900600-00008        | 2 - 17         |
| 177236-44330        | 2 - 12         | 699120-06560        | 6 - 31         | 900603-00005        | 4 - 9          |
| 178001-05960        | 5 - 27         | 699213-04160        | 6 - 44         | 900603-00006        | 6 - 52         |
| 178010-05960        | 5 - 8          | 699511-06560        | 6 - 51         | 900701-00014        | 6 - 9          |
| 178012-05960        | 5 - 7          | 890112-07761        | 2 - 5          | 900702-00035        | 6 - 6          |
| 178013-35631        | 5 - 6          | 890115-07760        | 2 - 6          | 900810-36201        | 1 - 9          |
| 178121-10050        | 5 - 32         | 890118-49130        | 2 - 5          | 900810-36202        | 6 - 8          |
| 178127-05960        | 5 - 28         | 890121-05360        | 3 - 21         | 900813-36202        | 6 - 7          |
| 210417-52730        | 3 - 20         | 890157-06560        | 5 - 4          | 94035-36201         | 1 - 9          |
| 300217-00610        | 5 - 24         | 890617-07660        | 2 - 6          | A011-000010         | 1 - 10         |
| 300217-00610        | 6 - 36         | 890617-12620        | 2 - 6          | A011-000011         | 1 - 10         |
| 305110-07760        | 6 - 13         | 895112-00330        | 6 - 49         | A011-000012         | 1 - 10         |
| 351012-07360        | 6 - 21         | 895410-00430        | 6 - 48         | A011-000013         | 1 - 10         |
| 351012-07361        | 6 - 21         | 898510-39130        | 6 - 50         | A011-000014         | 1 - 10         |
| 351102-47530        | 5 - 9          | 898523-02961        | 6 - 53         | A101-000000         | 1 - 14         |
| 351200-07360        | 6 - 20         | 900105-05055        | 3 - 36         | A130-000020         | 1 - 19         |
| 351200-07361        | 6 - 20         | 900162-04010        | 6 - 23         | A130-000021         | 1 - 19         |
| 351200-07362        | 6 - 20         | 900162-04012        | 6 - 23         | A313-000010         | 3 - 34         |
| 351200-07363        | 6 - 20         | 900162-04016        | 2 - 4          | A320-000250         | 3 - 29         |
| 351205-08961        | 5 - 16         | 900162-04016        | 2 - 48         | A320-000251         | 3 - 29         |
| 351217-07760        | 5 - 15         | 900162-04022        | 1 - 26         | A356-000030         | 4 - 5          |
| 351217-07761        | 5 - 15         | 900162-04022        | 2 - 24         | A409-000000         | 2 - 23         |
| 351228-07760        | 5 - 13         | 900162-05012        | 6 - 54         | A440-000320         | 5 - 5          |
| 351241-01260        | 5 - 17         | 900162-05022        | 1 - 20         | C532-000120         | 6 - 27         |
| 351242-06960        | 5 - 18         | 900162-05025        | 6 - 10         | P005-000590         | 7 - 24         |
| 351242-06961        | 5 - 18         | 900162-05028        | 1 - 6          | P021-000400         | 1 - 12         |
| 351243-01260        | 5 - 20         | 900162-05035        | 5 - 21         | P021-001110         | 1 - 12         |
| 351249-20060        | 6 - 34         | 900162-05045        | 5 - 19         | P021-001111         | 1 - 12         |
| 358123-01110        | 6 - 34         | 900163-04016        | 2 - 4          | P021-001113         | 1 - 12         |
| 433022-06460        | 6 - 37         | 900163-04016        | 2 - 48         | P021-001330         | 3 - 28         |
| 610312-04560        | 6 - 28         | 900212-05030        | 6 - 38         | P021-001331         | 3 - 28         |
| 610330-04560        | 6 - 27         | 900212-06025        | 6 - 39         | P021-001332         | 3 - 28         |
| 610330-04561        | 6 - 27         | 900220-05030        | 5 - 11         | P021-002921         | 3 - 14         |
| 610350-04560        | 6 - 29         | 900238-05010        | 5 - 31         | P022-007980         | 2 - 20         |
| 610407-07760        | 6 - 15         | 900238-05010        | 6 - 12         | V103-000111         | 3 - 9          |
| 610410-07760        | 6 - 15         | 900238-05016        | 4 - 8          | V104-000000         | 3 - 32         |
| 610411-05361        | 6 - 24         | 900238-05020        | 3 - 8          | V104-000001         | 3 - 32         |
| 610411-07760        | 6 - 24         | 900242-04010        | 3 - 35         | V104-000002         | 3 - 32         |

**Index**

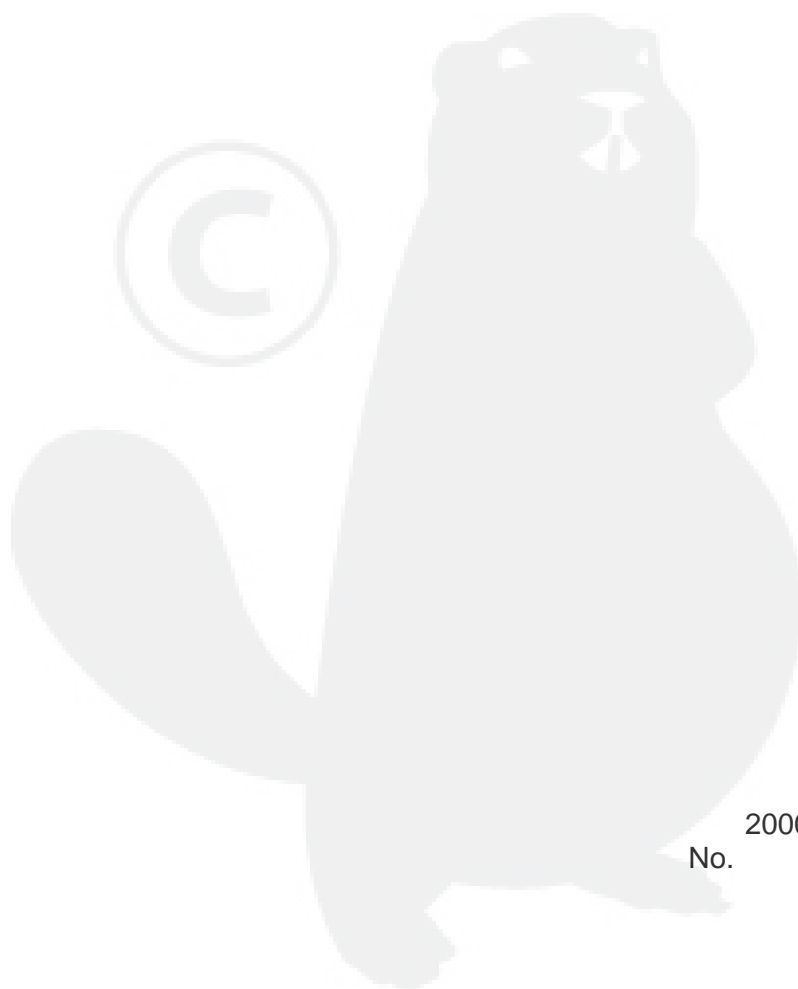
| <b>Patrs Number</b> | <b>Key No.</b> | <b>Patrs Number</b> | <b>Key No.</b> | <b>Patrs Number</b> | <b>Key No.</b> |
|---------------------|----------------|---------------------|----------------|---------------------|----------------|
| V104-000003         | 3 - 32         |                     |                |                     |                |
| V104-000160         | 3 - 30         |                     |                |                     |                |
| V471-001180         | 4 - 6          |                     |                |                     |                |
| V475-001900         | 2 - 33         |                     |                |                     |                |
| X411-000060         | 6 - 41         |                     |                |                     |                |
| X411-000070         | 6 - 42         |                     |                |                     |                |
| X411-000360         | 6 - 41         |                     |                |                     |                |
| X411-000370         | 6 - 42         |                     |                |                     |                |
| X425-000040         | 6 - 40         |                     |                |                     |                |
| X425-000250         | 6 - 40         |                     |                |                     |                |



# YAMABIKO CORPORATION

7-2 SUEHIROCHO 1-CHOME, OHME, TOKYO 198-8760, JAPAN  
PHONE: 81-428-32-6118. FAX: 81-428-32-6145.

**ECHO**®



2000  
No.