



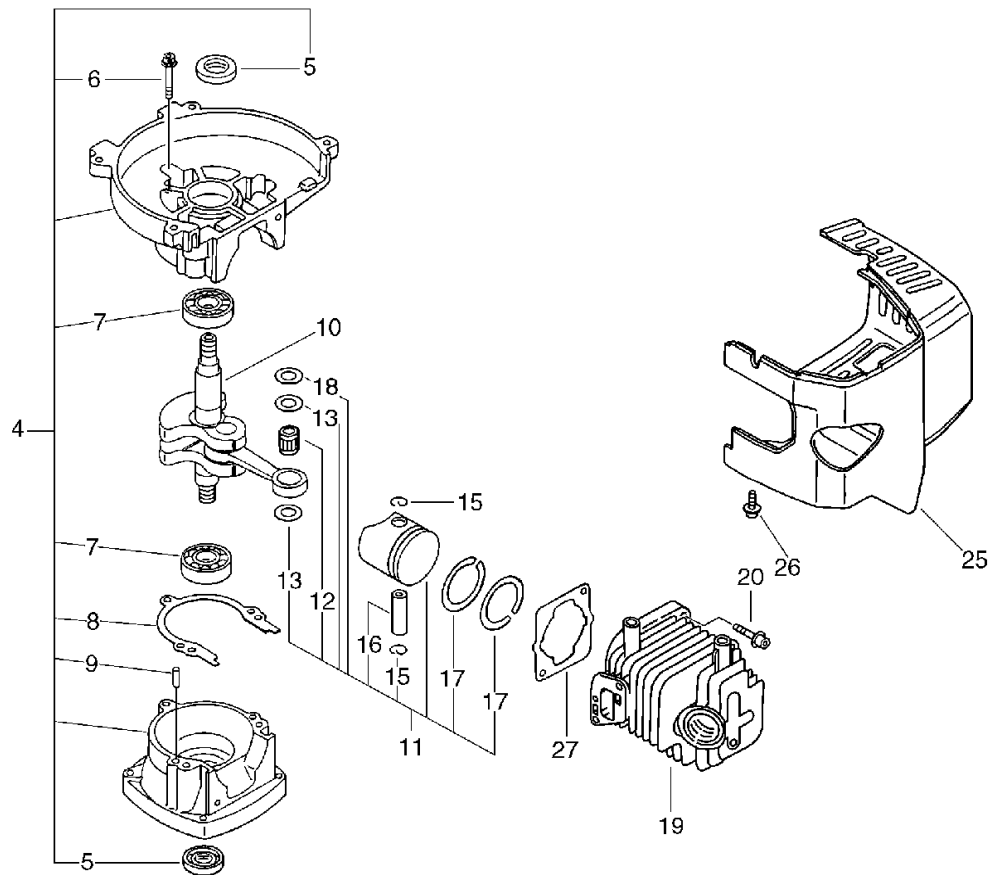
PARTS CATALOG

HEDGE TRIMMER HC-1500(6digits)(35)(36)

- 36032404

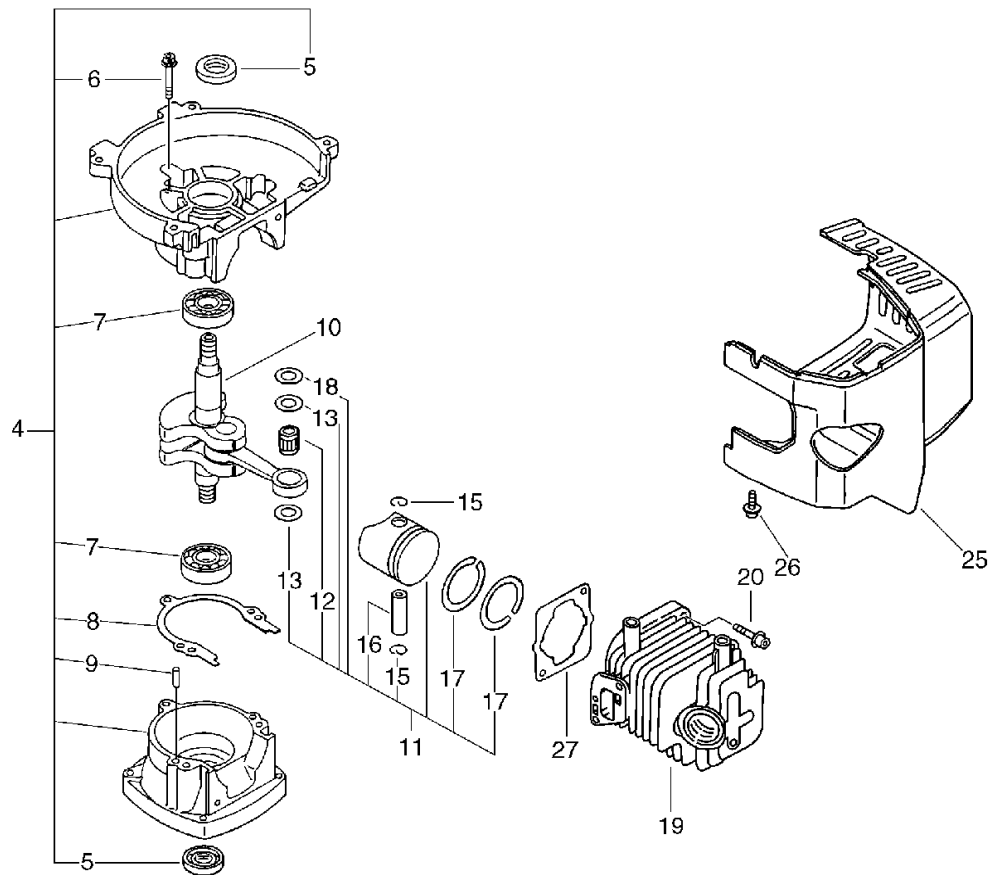
HC-1500(6digits)(35)(36)

1. Cylinder, Crankcase, Piston(Sr/Nr 36019100 and before)



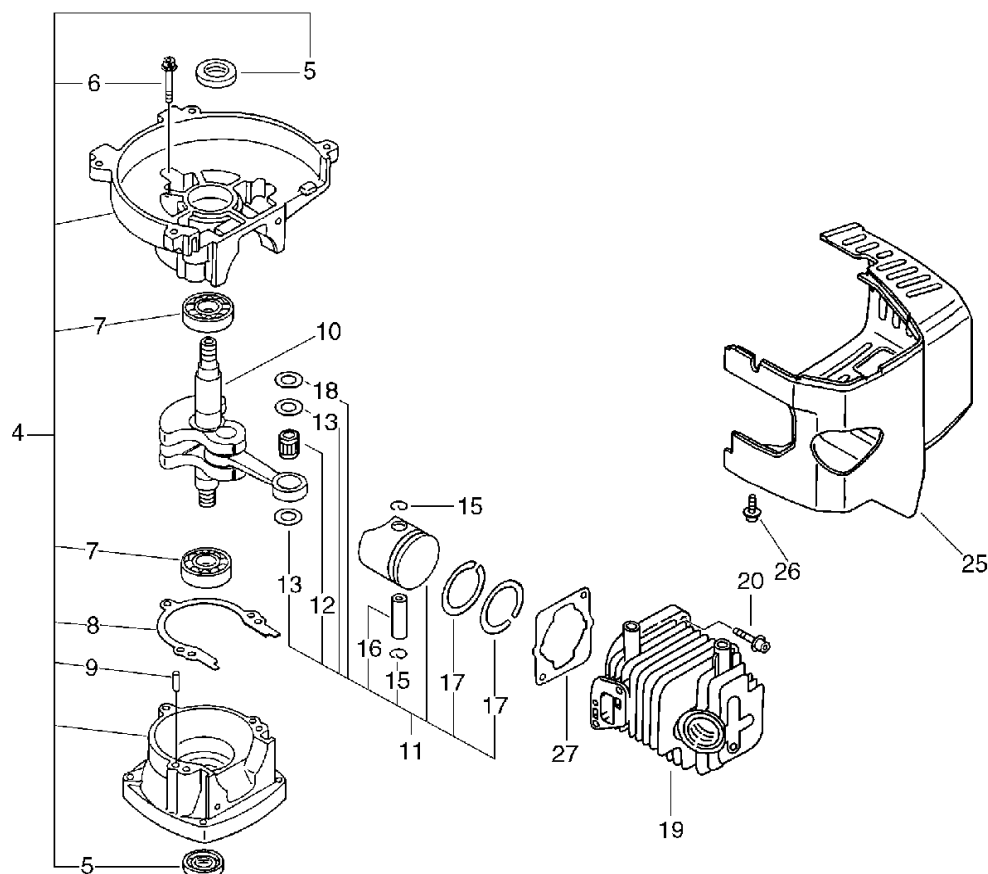
KEY	LV	PART NUMBER	Q'TY	DESCRIPTION	REMARKS	NOTE1	NOTE2
4		100204-05360	1	CRANKCASE KIT		Sus. by 100204-05361	
4		100204-05361	1	CRANKCASE KIT			
5	+	100212-42030	2	OILSEAL	ISCD12*22*4.5	Sus. by 100212-42031	
5	+	100212-42031	2	OILSEAL	ISCD 12*22*4.5		
6	+	900238-05028	3	SCREW 5*28	5*28	Sus. by 900162-05028	
6	+	900162-05028	3	BOLT, H.S. 5*28	5*28 W,SW		
7	+	900810-36201	2	BEARING, BALL 6201	6201/C3	Sus. by 94035-36201	
7	+	94035-36201	2	BEARING BALL	6201X3JR2C3		
8	+	100242-42030	1	GASKET, CRANKCASE			
9	+	100215-03930	2	PIN, DOWEL			
10		100100-05360	1	CRANKSHAFT ASSY		Sus. by 100100-05361	
10		100100-05361	1	CRANKSHAFT ASSY		Sr/Nr 154914 and before	
12	+	100012-11520	1	BEARING, NEEDLE	8*12*10		
12	+	100012-51230	1	BEARING, NEEDLE	8*12*10	Sr/Nr 154914 and before	
10		100100-06560	1	CRANKSHAFT ASSY		Sus. by 1100100-06564	
10		100100-06561	1	CRANKSHAFT		Sus. by 1100100-06564	

1. Cylinder, Crankcase, Piston(Sr/Nr 36019100 and before)



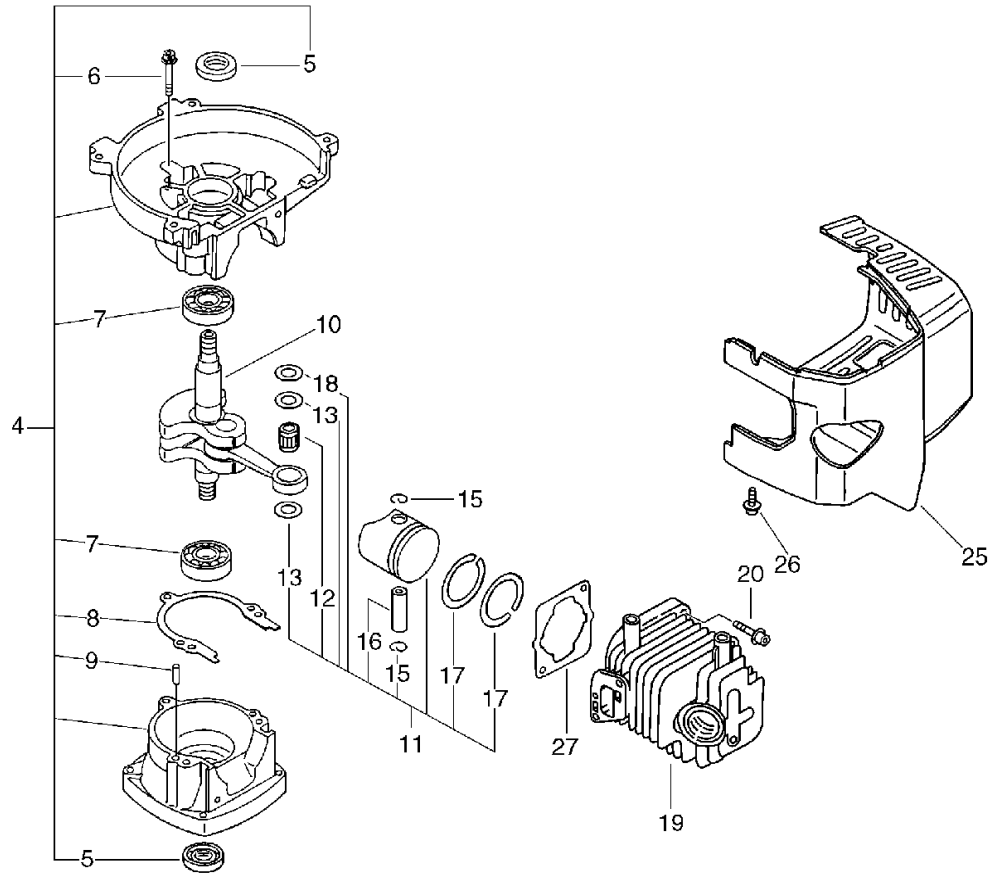
KEY	LV	PART NUMBER	Q'TY	DESCRIPTION	REMARKS	NOTE1	NOTE2
10		100100-06562	1	CRANKSHAFT		Sus. by 1100100-06564	
10		100100-06563	1	CRANKSHAFT		Sus. by 1100100-06564	
10		100100-06564	1	CRANKSHAFT		Sr/Nr 154915 and after	
11		100000-44330	1	PISTON KIT		Sr/Nr 154914 and before	
11		100000-07760	1	PISTON KIT		Sus. by 100000-06962	
11		100000-06961	1	PISTON KIT		Sus. by 100000-06962	
11		100000-06962	1	PISTON KIT		Sr/Nr 154915 to 237490	
11		P021-001111	1	PISTON KIT		Sus. by P021-001113	
11		P021-001112	1	PISTON KIT		Sus. by P021-001113	
11		P021-001113	1	PISTON KIT		Sr/Nr 237491 and after	
12	+	100113-05930	1	BEARING, NEEDLE	8*12*8	Sr/Nr 154915 and after	
13	+	100014-11520	2	SPACER, PISTON PIN		Sr/Nr 154914 and before	
13	+	100014-08960	2	SPACER, PISTON PIN		Sr/Nr 154915 and after	

1. Cylinder, Crankcase, Piston(Sr/Nr 36019100 and before)



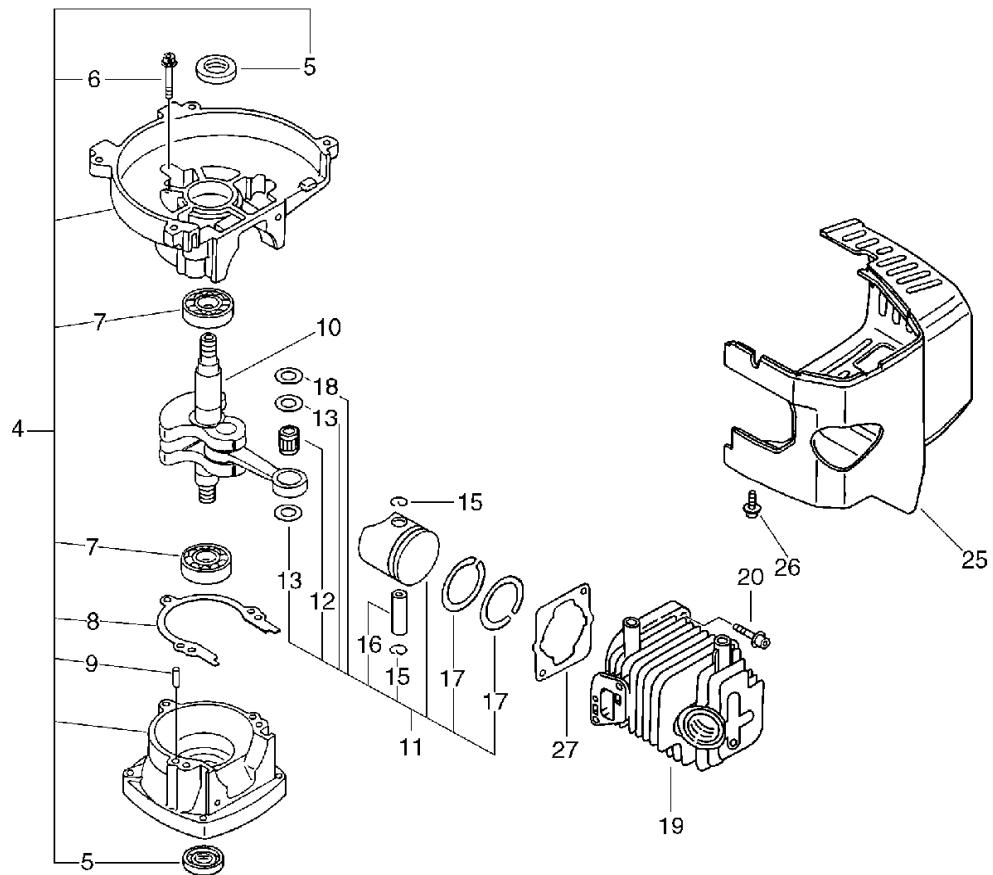
KEY	LV	PART NUMBER	Q'TY	DESCRIPTION	REMARKS	NOTE1	NOTE2
15	+	100015-04630	2	CIRCLIP, PISTON PIN			
16	+	100013-11520	1	PIN, PISTON			
17	+	100011-05330	1	RING, PISTON		Sr/Nr 154914 and before	
17	+	100011-05330	2	RING, PISTON		Sr/Nr 154915 to 237490	
17	+	A101-000000	2	RING,PISTON		Sr/Nr 237491 and after	
18	+	V306-000150	1	WASHER,CIRCULAR 8	8.2*13*0.8	Sr/Nr 36001271 and after	
19		101011-45230	1	CYLINDER		Sr/Nr 154914 and before	
19		101011-06560	1	CYLINDER		Sus. by 101011-06562	
19		101011-06561	1	CYLINDER		Sus. by 101011-06562	
19		101011-06562	1	CYLINDER		Sr/Nr 154915 and after	
20		900162-05022	2	BOLT, H.S. 5*22	5*22 W,SW		
25		101506-06560	1	COVER, CYLINDER		Sus. by 101506-06561	
25		101506-06561	1	COVER, CYLINDER		Sr/Nr 36019100 and before	
26		900242-04020	2	SCREW 4*20	4*20	Sus. by 900162-04020	
26		900162-04020	2	BOLT, H.S. 4*20	4*20 W,SW		

1. Cylinder, Crankcase, Piston(Sr/Nr 36019100 and before)



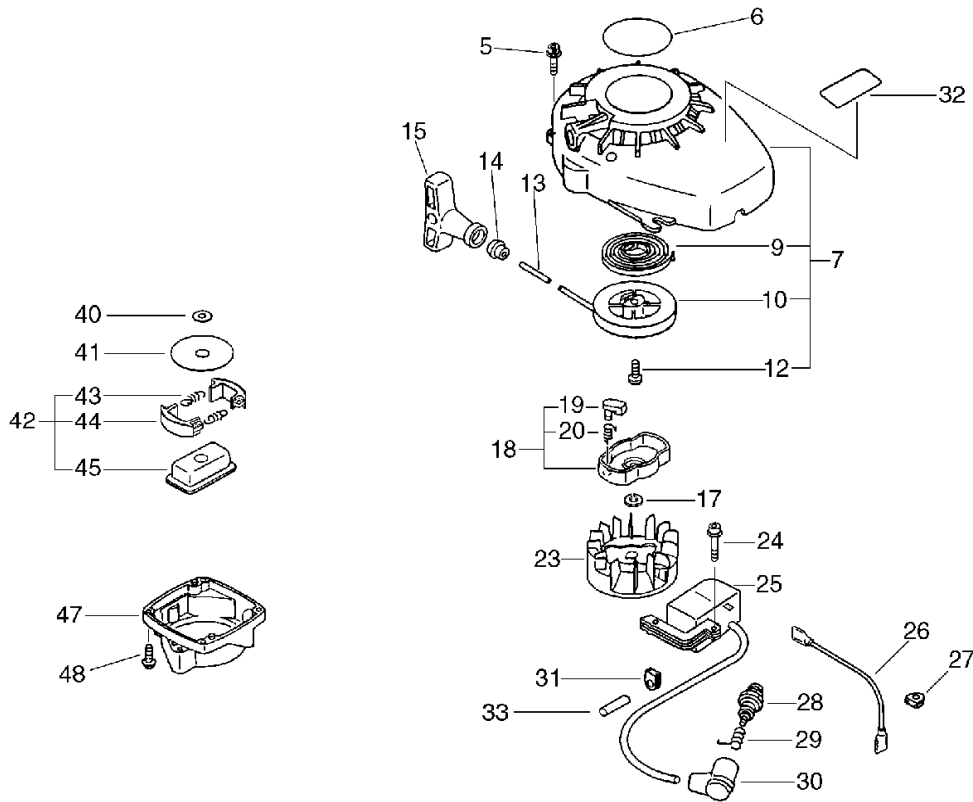
KEY	LV	PART NUMBER	Q'TY	DESCRIPTION	REMARKS	NOTE1	NOTE2
27		101010-42031	1	GASKET, CYL. BASE		Sus. by 101010-44332	
27		101010-44330	1	GASKET, CYL. BASE		Sus. by 101010-44332	
27		101010-44331	1	GASKET, CYL. BASE		Sus. by 101010-44332	
27		101010-44332	1	GASKET, CYL. BASE			

2. Cylinder, Crankcase, Piston(Sr/Nr 36019101 and after)



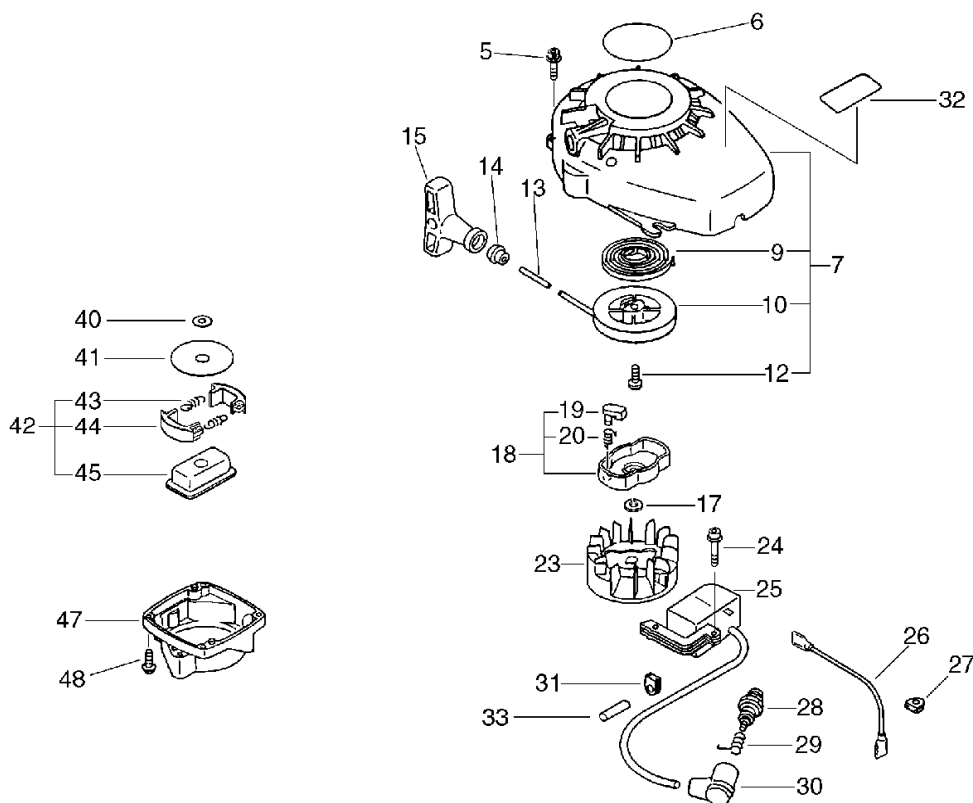
KEY	LV	PART NUMBER	Q'TY	DESCRIPTION	REMARKS	NOTE1	NOTE2
4		100204-05361	1	CRANKCASE KIT			
5	+	100212-42031	2	OILSEAL	ISCD 12*22*4.5		
6	+	900162-05028	3	BOLT, H.S. 5*28	5*28 W,SW		
7	+	94035-36201	2	BEARING BALL	6201X3JR2C3		
8	+	100242-42030	1	GASKET, CRANKCASE			
9	+	100215-03930	2	PIN, DOWEL			
10		100100-06564	1	CRANKSHAFT			
11		P021-001113	1	PISTON KIT			
12	+	100113-05930	1	BEARING, NEEDLE	8*12*8		
13	+	100014-08960	2	SPACER, PISTON PIN			
15	+	100015-04630	2	CIRCLIP, PISTON PIN			
16	+	100013-11520	1	PIN, PISTON			
17	+	A101-000000	2	RING,PISTON			
18	+	V306-000150	1	WASHER,CIRCULAR 8	8.2*13*0.8		
19		101011-06562	1	CYLINDER			
20		900162-05022	2	BOLT, H.S. 5*22	5*22 W,SW		
25		101506-05361	1	COVER, CYLINDER		Sr/Nr 36019101 and after	
26		900162-04020	2	BOLT, H.S. 4*20	4*20 W,SW		
27		101010-44332	1	GASKET, CYL. BASE			

3. Starter, Magneto, Clutch(Sr/Nr 36019100 and before)



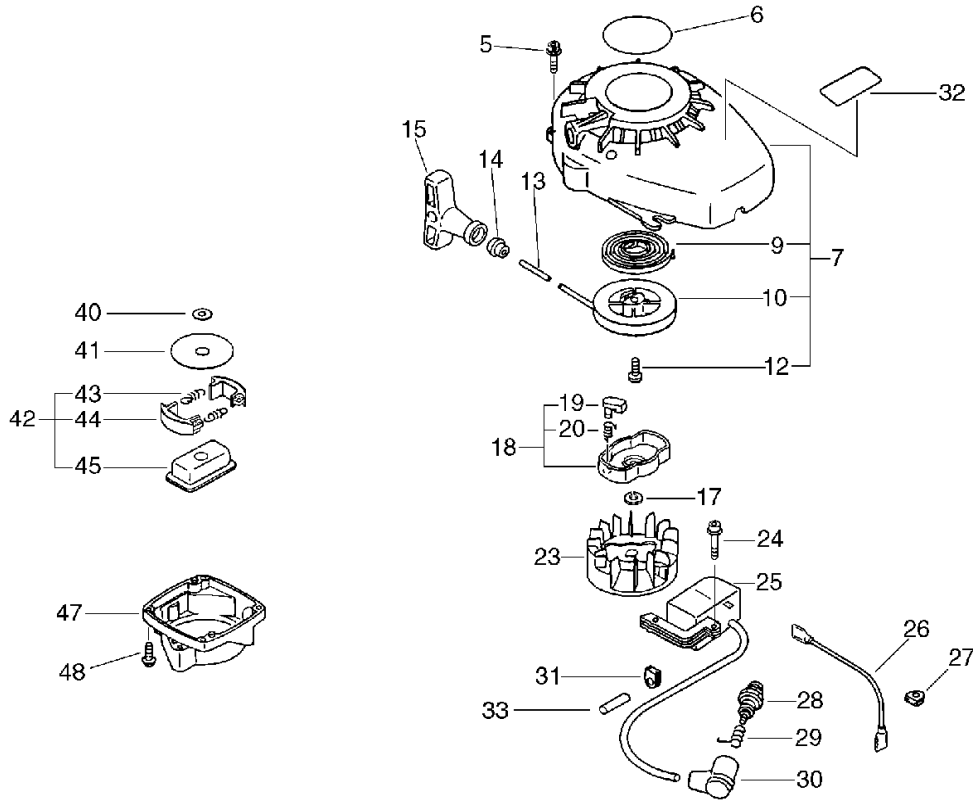
KEY	LV	PART NUMBER	Q'TY	DESCRIPTION	REMARKS	NOTE1	NOTE2
5		900238-04016	4	SCREW 4*16	4*16	Sus. by 900163-04016	
5		900162-04016	4	BOLT, H.S. 4*16	4*16 W,SW	Sus. by 900163-04016	
5		900163-04016	4	BOLT HSH			
6		890118-49130	1	LABEL, ECHO		Sus. by 890115-06562	
6		890115-06561	1	LABEL, MODEL		Sus. by 890115-06562	
6		890115-06562	1	LABEL, MODEL	ECHO+HC-1500	Sus. by X502-000330	
7		177200-06561	1	STARTER ASSY		Sus. by 177200-12220	
7		177200-12220	1	STARTER ASY		Sr/Nr 35501400 and before	
7		177200-06562	1	STARTER ASSY		Sus. by 177200-06563	
7		177200-06563	1	STARTER ASSEMBLY		Sr/Nr 35501401 to 36019100	
9	+	177220-42030	1	SPRING, REWIND			
10	+	177215-42030	1	DRUM, STARTER		Sus. by 177215-44430	
10	+	177215-44430	1	DRUM, STARTER			
12	+	177236-44330	1	SCREW			
13	+	177226-05530	1	ROPE, STARTER	3*890		

3. Starter, Magneto, Clutch(Sr/Nr 36019100 and before)



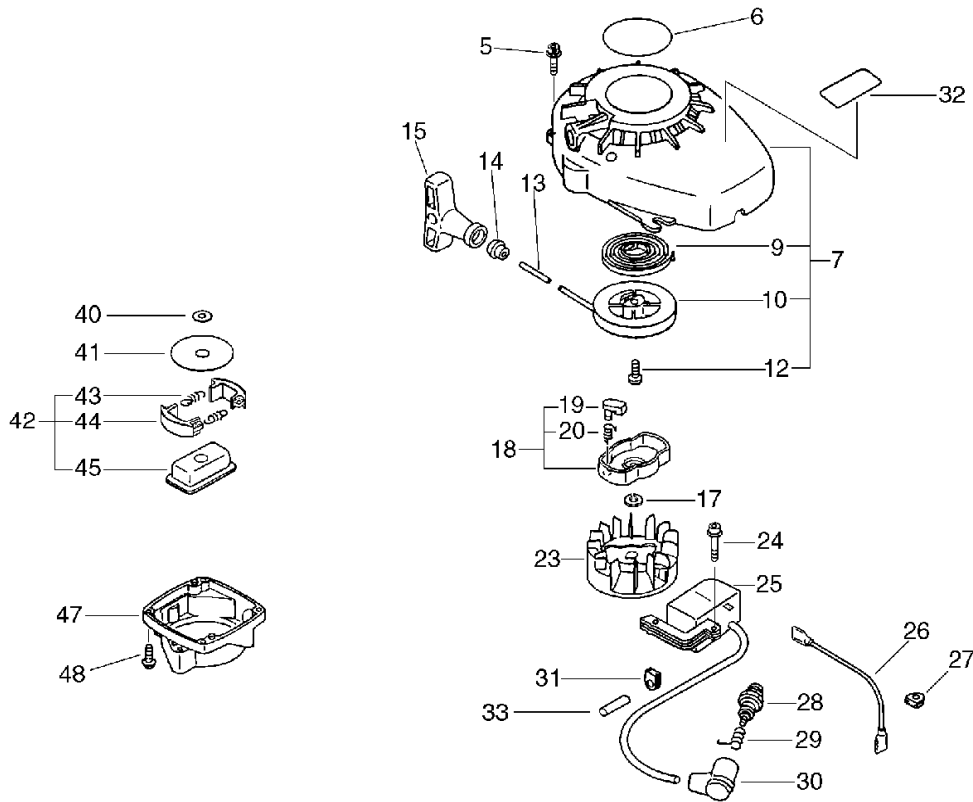
KEY	LV	PART NUMBER	Q'TY	DESCRIPTION	REMARKS	NOTE1	NOTE2
14	+	177227-42030	1	GUIDE, ROPE			
15	+	177228-06530	1	GRIP, STARTER		Sus. by 177228-11120	
15	+	177228-11120	1	GRIP, STARTER		Sr/Nr 35501400 and before	
15	+	177228-06530	1	GRIP, STARTER		Sr/Nr 35501401 and after	
17		900605-00008	1	WASHER, SPRING 8	8		
18		177202-42030	1	PAWL ASSY, STARTER		Sus. by 177202-44331	
18		177202-44330	1	PAWL ASSY, STARTER		Sus. by 177202-44331	
18		177202-44331	1	PAWL ASM., STARTER			
19	+	177218-44330	1	PAWL, STARTER	BLACK		
20	+	177234-42030	1	SPRING, RETURN			
23		150801-44330	1	FLYWHEEL		Sus. by 156801-44330	
23		156801-44330	1	FLYWHEEL		Sr/Nr 166990 to 228004	
23		156801-05360	1	ROTOR, MAGNETO		Sr/Nr 228005 and after	
24		900242-04022	1	SCREW 4*22	4*22	Sus. by 900162-04022	
24		900162-04022	2	BOLT, H.S. 4*22	4*22 W,SW		
25		150626-11521	1	COIL, IGNITION		Sus. by 156626-11820	

3. Starter, Magneto, Clutch(Sr/Nr 36019100 and before)



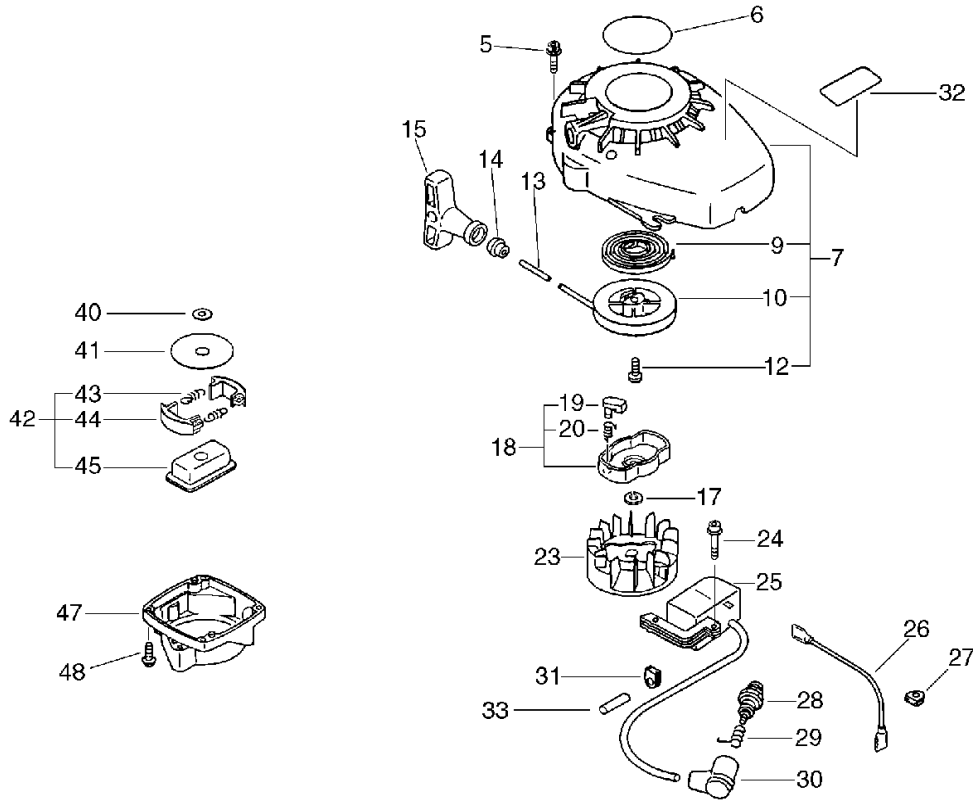
KEY	LV	PART NUMBER	Q'TY	DESCRIPTION	REMARKS	NOTE1	NOTE2
25		156626-11520	1	COIL, IGNITION		Sus. by 156626-11820	
25		156626-11820	1	COIL, IGNITION		Sr/Nr 166990 to 228004	
25		156626-05360	1	COIL, IGNITION		Sus. by 156601-52130	
25		156601-52130	1	COIL, IGNITION		Sus. by A411-000080	
25		A411-000080	1	COIL,IGNITION		Sr/Nr 228005 and after	
26		162021-52830	1	LEAD	275L	Sr/Nr 228005 and after	
27		156114-04920	1	GROMMET			
28		159010-13930	1	PLUG, SPARK (CJ-8Y)	CJ-8Y	Sus. by 159017-12330	
28		159017-12330	1	PLUG, SPARK (RCJ-8Y)	RCJ-8Y		
29		159011-03432	1	COIL, SPARK PLUG			
30		159012-01620	1	CAP, SPARK PLUG		Sus. by 159012-03433	
30		159012-03433	1	CAP, SPARK PLUG			
31		156110-04920	1	BUSHING			
32		890115-06560	1	LABEL, MODEL		Sus.by 890617-07660	
32		890310-06961	1	LABEL, MODEL		Sus.by 890617-07660	

3. Starter, Magneto, Clutch(Sr/Nr 36019100 and before)



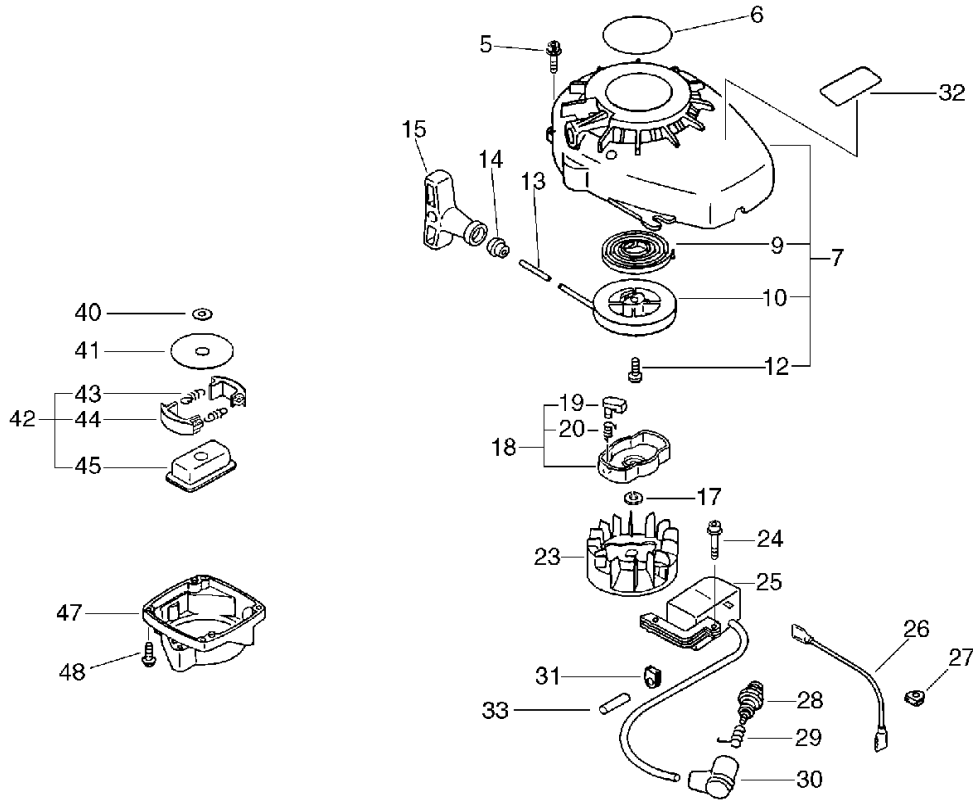
KEY	LV	PART NUMBER	Q'TY	DESCRIPTION	REMARKS	NOTE1	NOTE2
32		890617-12620	1	LABEL, CAUTION		Sus.by 890617-07660	
32		890617-07660	1	LABEL, CAUTION		Sus.by X543-000920	
33		V475-001900	1	TUBE	7*8.6*30		
40		175014-05360	1	WASHER, CLUTCH	8.2*19*3.2		
41		175019-04920	1	PLATE, CLUTCH			
42		175000-06531	1	CLUTCH ASSY		Sus. by 175000-06560	
42		175000-06560	1	CLUTCH ASSY			
43	+	175018-06530	2	SPRING, CLUTCH		Sr/Nr 163150 and before	
43	+	175018-05960	2	SPRING, CLUTCH		Sr/Nr 163151 and after	
44	+	175017-04631	2	SHOE, CLUTCH		Sr/Nr 163150 and before	
44	+	175009-05131	2	SHOE, CLUTCH		Sr/Nr 163151 and after	
45	+	175016-04920	1	HUB, CLUTCH			
47		175055-05360	1	HOUSING, CLUTCH			
48		900162-04016	2	BOLT, H.S. 4*16	4*16 W,SW	Sus. by 900163-04016, Sr/Nr 35501401 and after	
48		900163-04016	2	BOLT HSH			

4. Starter, Magneto, Clutch(Sr/Nr 36019101 and after)



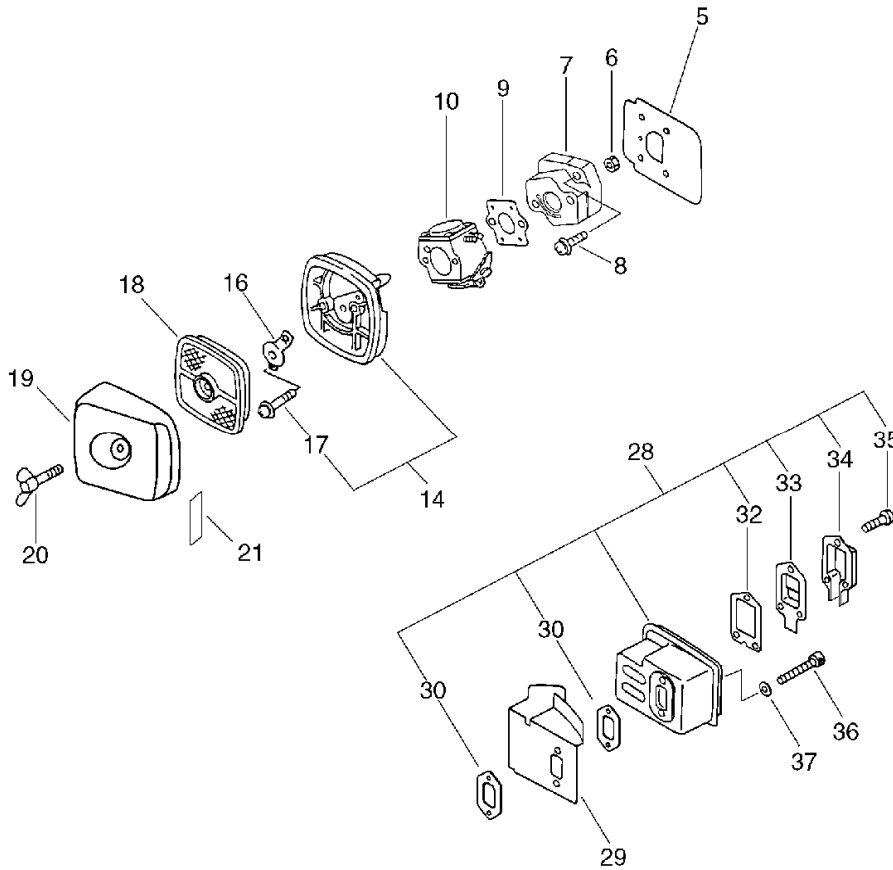
KEY	LV	PART NUMBER	Q'TY	DESCRIPTION	REMARKS	NOTE1	NOTE2
5		900162-04016	4	BOLT, H.S. 4*16	4*16 W,SW		
6		890115-06562	1	LABEL, MODEL	ECHO+HC-1500	Sus. by X502-000330	
6		X502-000330	1	LABEL,ECHO	ECHO		
7		177200-05363	1	STARTER ASSEMBLY		Sr/Nr 36019101 and after	
9	+	177220-42030	1	SPRING, REWIND			
10	+	177215-44430	1	DRUM, STARTER			
12	+	177236-44330	1	SCREW			
13	+	177226-05530	1	ROPE, STARTER	3*890		
14	+	177227-42030	1	GUIDE, ROPE			
15	+	177228-06530	1	GRIP, STARTER			
17		900605-00008	1	WASHER, SPRING 8	8		
18		177202-44331	1	PAWL ASM., STARTER			
19	+	177218-44330	1	PAWL, STARTER	BLACK		
20	+	177234-42030	1	SPRING, RETURN			
23		156801-05360	1	ROTOR, MAGNETO			
24		900162-04022	2	BOLT, H.S. 4*22	4*22 W,SW		
25		A411-000080	1	COIL,IGNITION			
26		162021-52830	1	LEAD	275L		
27		156114-04920	1	GROMMET			
28		159017-12330	1	PLUG, SPARK (RCJ-8Y)	RCJ-8Y		
29		159011-03432	1	COIL, SPARK PLUG			
30		159012-03433	1	CAP, SPARK PLUG			
31		156110-04920	1	BUSHING			

4. Starter, Magneto, Clutch(Sr/Nr 36019101 and after)



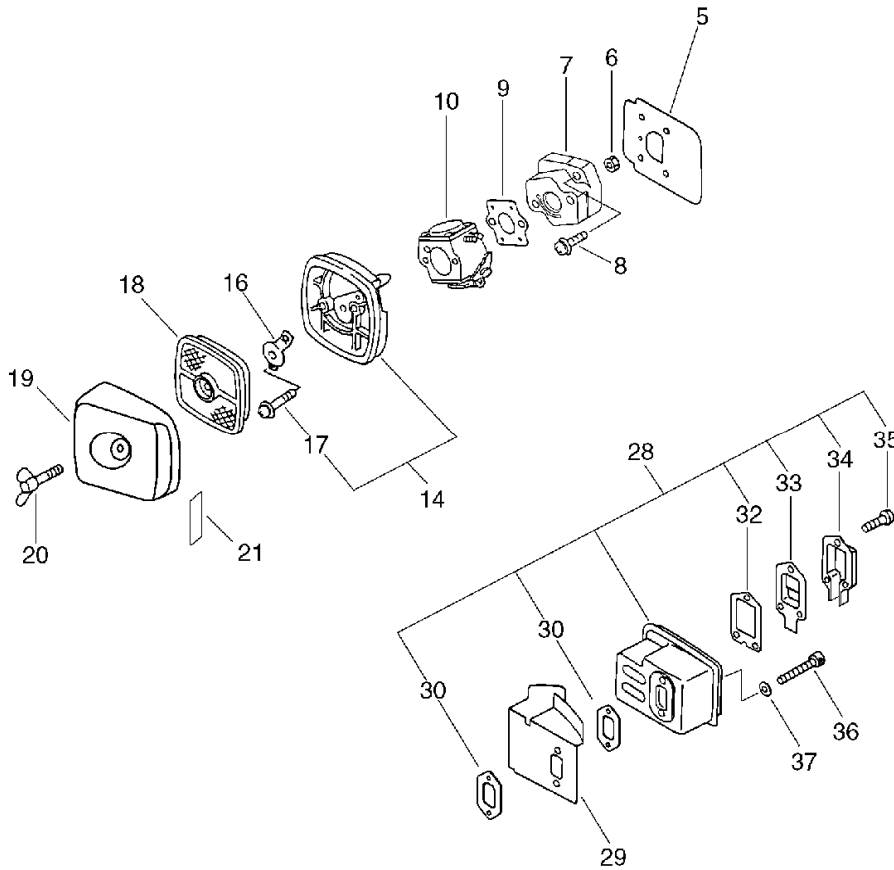
KEY	LV	PART NUMBER	Q'TY	DESCRIPTION	REMARKS	NOTE1	NOTE2
32		890617-07660	1	LABEL, CAUTION		Sus. by X543-000920	
32		X543-000920	1	LABEL,MODEL	HC-1500		
33		V475-001900	1	TUBE	7*8.6*30		
40		175014-05360	1	WASHER, CLUTCH	8.2*19*3.2		
41		175019-04920	1	PLATE, CLUTCH			
42		175000-06560	1	CLUTCH ASSY			
43	+	175018-05960	2	SPRING, CLUTCH			
44	+	175009-05131	2	SHOE, CLUTCH			
45	+	175016-04920	1	HUB, CLUTCH			
47		175055-05360	1	HOUSING, CLUTCH			
48		900162-04016	2	BOLT, H.S. 4*16	4*16 W,SW		

5. Air Cleaner, Muffler(Sr/Nr 36019100 and before)



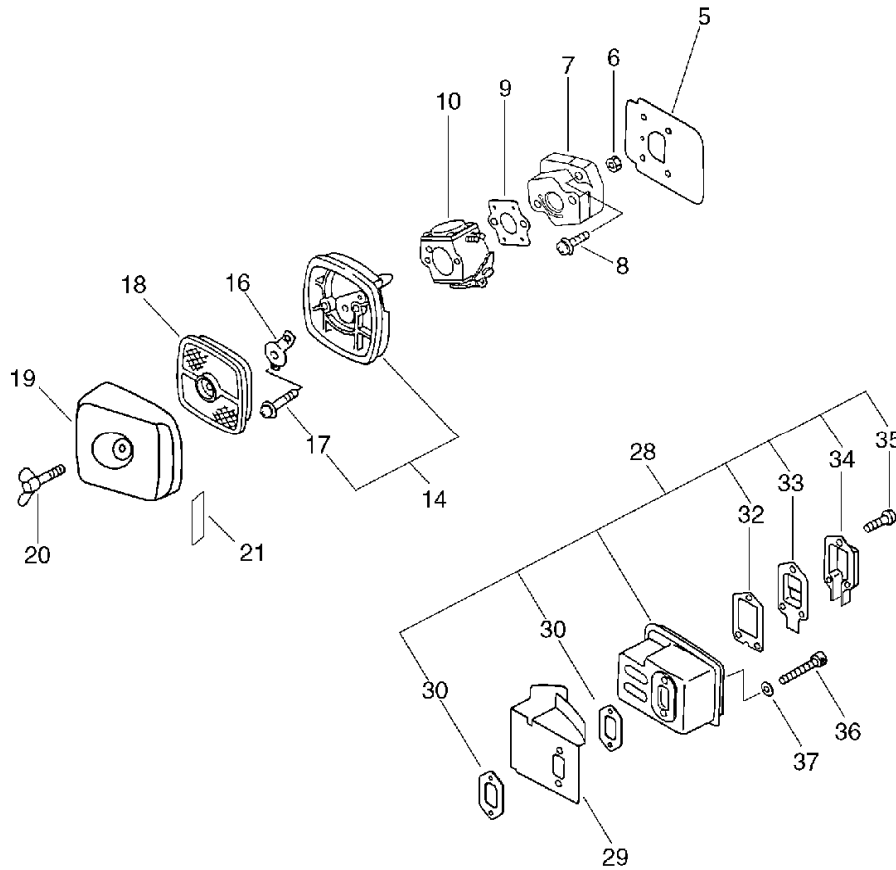
KEY	LV	PART NUMBER	Q'TY	DESCRIPTION	REMARKS	NOTE1	NOTE2
5		130010-42030	1	GASKET, INSULATOR		Sus. by 130010-42032	
5		130010-42031	1	GASKET		Sus. by 130010-42032	
5		130010-42032	1	GASKET,INTAKE			
6		900500-00005	2	NUT 5	5		
7		130017-42031	1	INSULATOR, INTAKE			
8		900238-05020	2	SCREW 5*20	5*20		
9		V103-000111	1	GASKET,INTAKE		Sr/Nr 35501400 and before	
9		130016-42031	1	GASKET, INTAKE		Sr/Nr 35501401 and after	
10		125200-11520	1	CARBURETOR C1U-K10A	C1U-K10A	Sus. by 125200-11521	
10		125200-11521	1	CARBURETOR C1U-K10A	C1U-K10A	Sr/Nr 035000 and before	
10		125200-05360	1	CARBURETOR ASSY	C1U-K17	Sus. by 125200-11823	
10		125200-05361	1	CARBURETOR ASSY	C1U-K17	Sus. by 125200-11823	
10		125200-11823	1	CARBURETOR ASSY	C1U-K27C	Sr/Nr 035001 to 154914	
10		125200-08460	1	CARBURETOR ASSY	C1U-K45	Sus. by 125200-05964	
10		125200-05961	1	CARBURETOR C1U-K51	C1U-K51	Sus. by 125200-05964	

5. Air Cleaner, Muffler(Sr/Nr 36019100 and before)



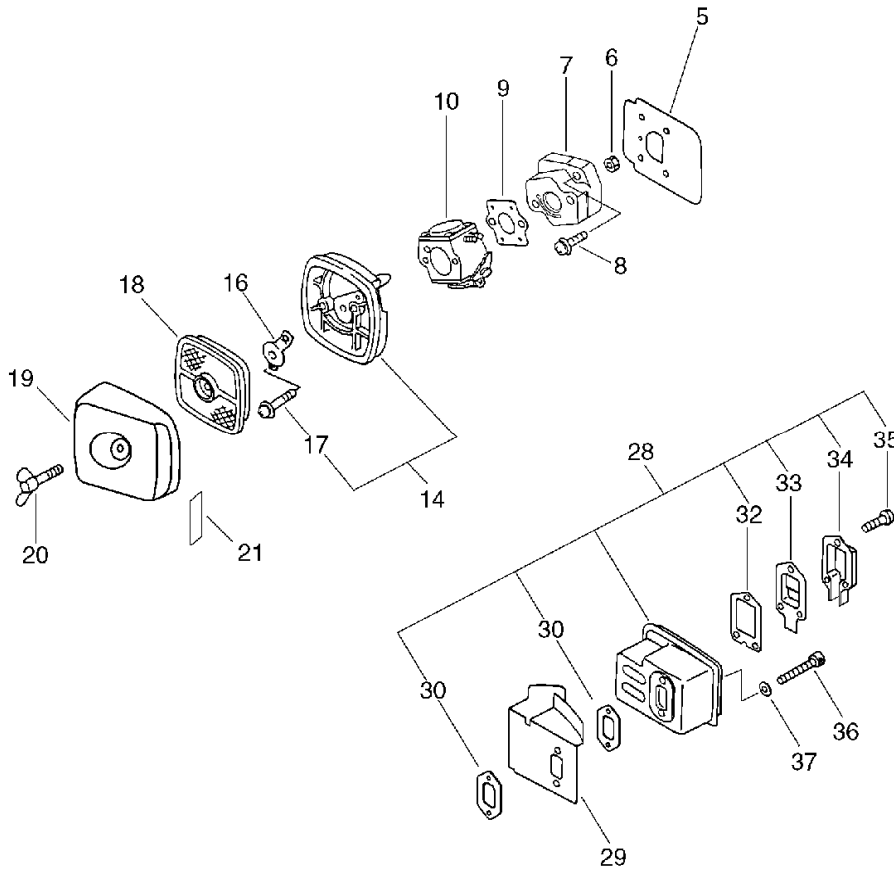
KEY	LV	PART NUMBER	Q'TY	DESCRIPTION	REMARKS	NOTE1	NOTE2
10		125200-05962	1	CARBURETOR	C1U-K51		Sus. by 125200-05964
10		125200-05963	1	CARBURETOR C1U-K51	C1U-K51		Sus. by 125200-05964
10		125200-05964	1	CARBURETOR	C1U-K51		Sr/Nr 154915 and after
14		130307-05360	1	CASE, AIR CLEANER			Sr/Nr 067541 and before
14		130307-06560	1	CASE, AIR CLEANER			Sus. by 130307-06561
17		900242-05064	2	SCREW 5*64	5*64		Sr/Nr 067542 to 091463
14		130307-06561	1	CASE, AIR CLEANER			Sus. by P021-002921
14		P021-002921	1	CASE, AIR CLEANER			Sr/Nr 067542 to 36019100
17	+	900242-05065	2	SCREW 5*65	5*65		Sr/Nr 091464 and after
16		129011-05060	1	PLATE			Sr/Nr 151956 and before
16		129011-06360	1	PLATE, PREVENT			Sus. by 129011-52730
16		129011-52730	1	PLATE, PREVENT			Sr/Nr 151957 and after
18		130310-04560	1	FILTER, AIR			Sr/Nr 067541 and before

5. Air Cleaner, Muffler(Sr/Nr 36019100 and before)



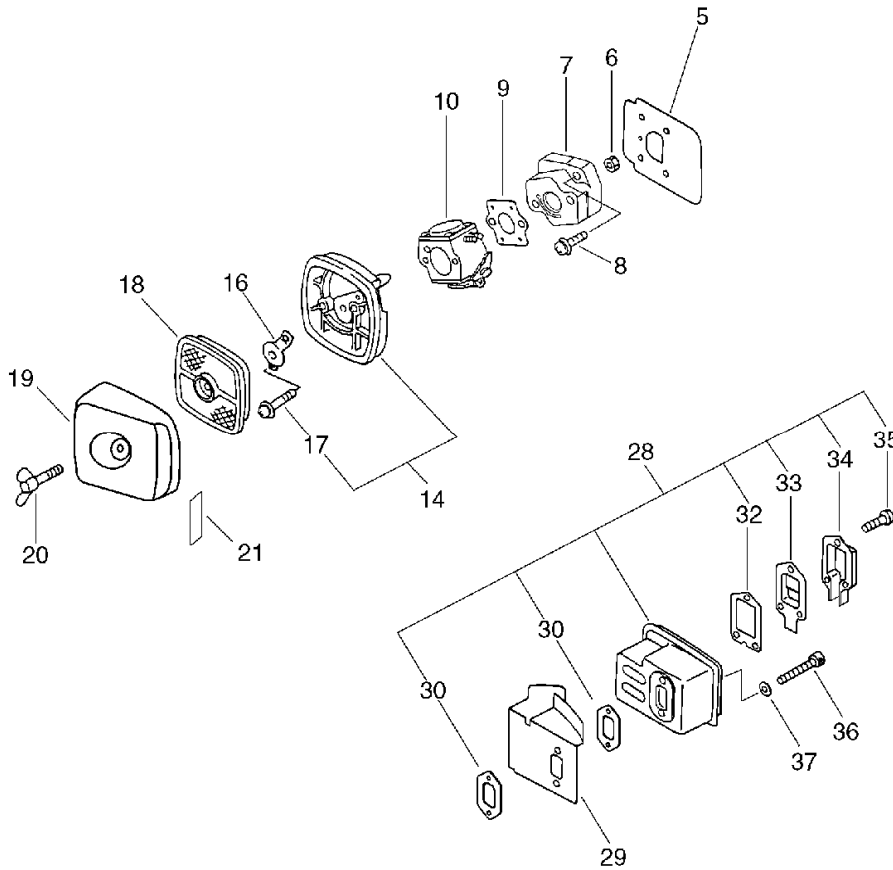
KEY	LV	PART NUMBER	Q'TY	DESCRIPTION	REMARKS	NOTE1	NOTE2
18		130310-06560	1	FILTER, AIR		Sr/Nr 067542 to 151956	
18		130310-54130	1	FILTER, AIR		Sr/Nr 151957 and after	
19		130313-44330	1	COVER, AIR CLEANER		Sus. by 130313-05060	
19		130313-44331	1	COVER, AIR CLEANER		Sus. by 130313-05060	
19		130313-05060	1	COVER, AIR CLEANER		Sr/Nr 067541 and before	
19		130313-06560	1	COVER, AIR CLEANER		Sus. by 130313-06561	
19		130313-06561	1	COVER, AIR CLEANER		Sr/Nr 067542 to 151956	
19		130313-06563	1	LID, AIR CLEANER		Sr/Nr 151957 to 3619100	
20		900528-00005	1	NUT	5	Sr/Nr 151956 and before	
20		210417-52730	1	BOLT, WING	5*20	Sr/Nr 151957 and after	
21		890121-06360	1	LABEL, CHOKE		Sus. by 890121-05360	
21		890121-05360	1	LABEL, METERING			
29		145871-05360	1	COVER, MUFFLER			
28		145802-05360	1	MUFFLER ASSY		Sus. by 145802-05361	

5. Air Cleaner, Muffler(Sr/Nr 36019100 and before)



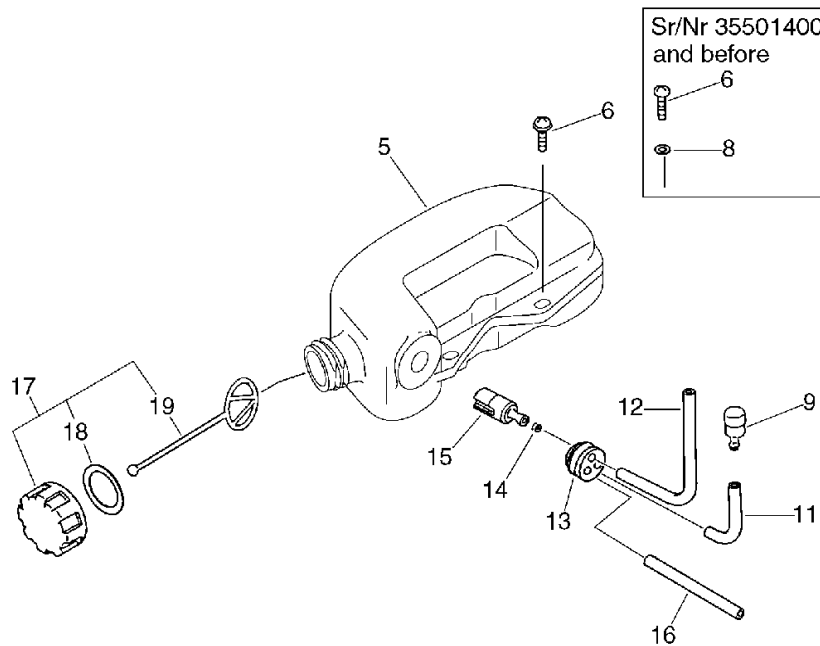
KEY	LV	PART NUMBER	Q'TY	DESCRIPTION	REMARKS	NOTE1	NOTE2
28		145802-05361	1	MUFFLER ASY (SAM)			
30	+	145510-42031	2	GASKET, MUFFLER		Sus. by V104-000160	
30	+	V104-000160	2	GASKET, EXHAUST			
31	+	145862-40630	1	SCREEN, MUFFLER		OPTION	
32	+	145866-42031	1	GASKET, MUFFLER LID			
33	+	145876-42030	1	LID, MUFFLER (B)			
34	+	145863-42030	1	HOLDER, SCREEN		Sus. by A313-000010	
34	+	145863-06560	1	GUIDE, EXHAUST		Sus. by A313-000010	
34	+	A313-000010	1	GUIDE, EXH	ID#4000		
35	+	900242-04010	3	SCREW 4*10	4*10		
36		900105-05050	2	BOLT, H.S. 5*50	5*50		
37		900600-00005	2	WASHER 5	5		

6. Air Cleaner, Muffler(Sr/Nr 36019101 and after)



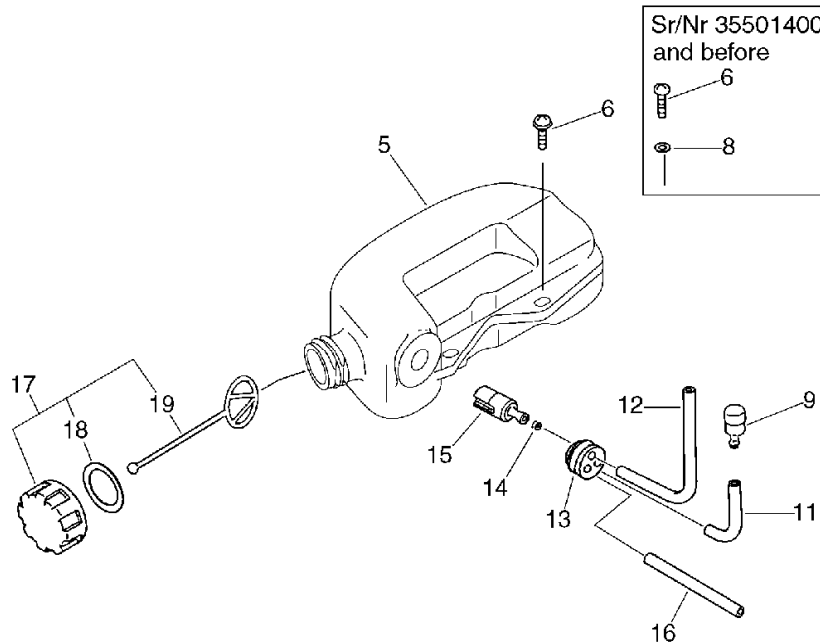
KEY	LV	PART NUMBER	Q'TY	DESCRIPTION	REMARKS	NOTE1	NOTE2
5		130010-42032	1	GASKET,INTAKE			
6		900500-00005	2	NUT 5	5		
7		130017-42031	1	INSULATOR, INTAKE			
8		900238-05020	2	SCREW 5*20	5*20		
9		130016-42031	1	GASKET, INTAKE			
10		125200-05964	1	CARBURETOR	C1U-K51		
14		P021-010350	1	CASE,CLEANER ASY		Sr/Nr 36019101 and after	
17	+	900242-05065	2	SCREW 5*65	5*65		
16		129011-52730	1	PLATE, PREVENT			
18		130310-54130	1	FILTER, AIR			
19		130313-05863	1	LID, AIR CLEANER		Sr/Nr 36019101 and after	
20		210417-52730	1	BOLT, WING	5*20		
21		890121-05360	1	LABEL, METERING			
29		145871-05360	1	COVER, MUFFLER			
28		145802-05361	1	MUFFLER ASY (SAM)			
30	+	V104-000160	2	GASKET,EXHAUST			
32	+	145866-42031	1	GASKET, MUFFLER LID			
33	+	145876-42030	1	LID, MUFFLER (B)			
34	+	A313-000010	1	GUIDE,EXH	ID#4000		
35	+	900242-04010	3	SCREW 4*10	4*10		
36		900105-05050	2	BOLT, H.S. 5*50	5*50		
37		900600-00005	2	WASHER 5	5		

7. Fuel Tank



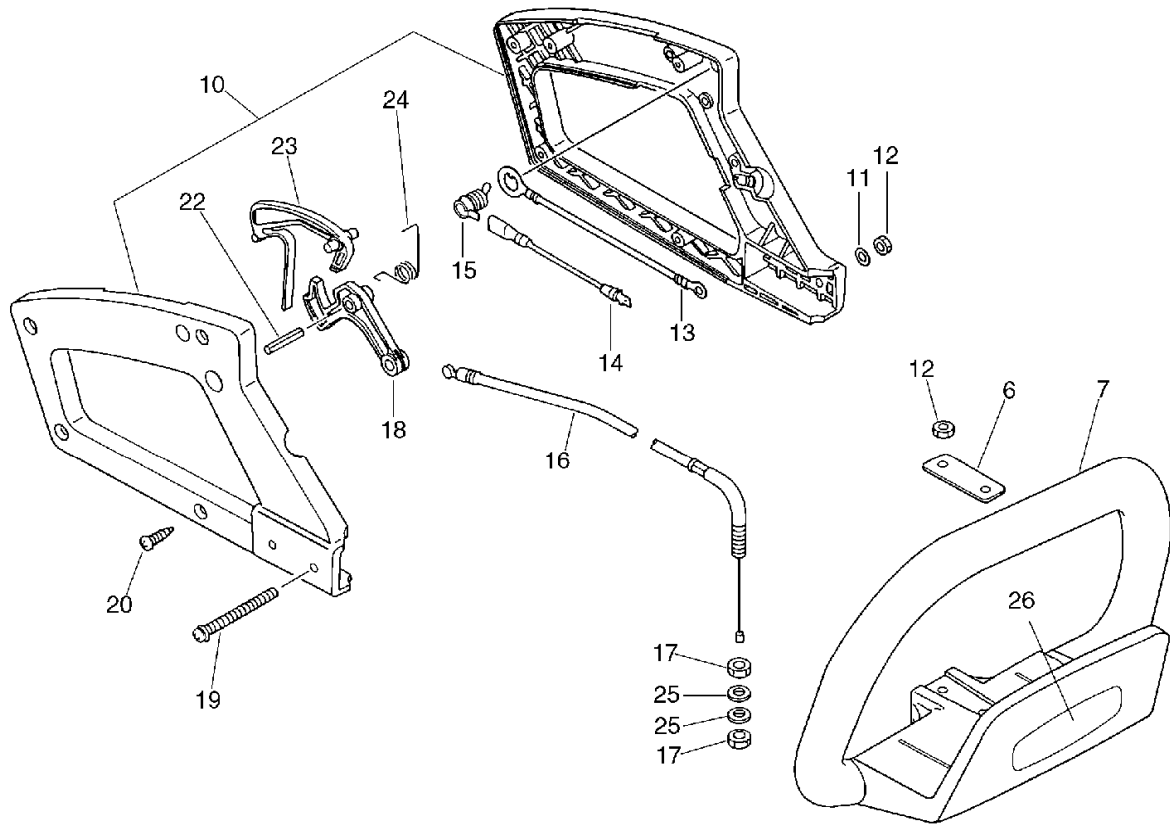
KEY	LV	PART NUMBER	Q'TY	DESCRIPTION	REMARKS	NOTE1	NOTE2
5		131005-05360	1	TANK, FUEL		Sus. by 131005-05361	
5		131005-05361	1	TANK, FUEL		Sr/Nr 35509250 and before	
5		A350-000270	1	TANK,FUEL		Sus. by A350-000272	
5		A350-000271	1	TANK,FUEL		Sus. by A350-000272	
5		A350-000272	1	TANK,FUEL		Sr/Nr 35509251 and after	
6		900238-05016	2	SCREW 5*16	5*16		
8		900603-00005	2	WASHER 5	5.5*12*0.8	Sr/Nr 35501400 and before	
9		131300-40630	1	VALVE, CHECK		Sus. by A356-000030	
9		131300-56430	1	VALVE, CHECK		Sus. by A356-000030	
9		131300-40630	1	VALVE, CHECK		Sus. by A356-000030	
9		A356-000030	1	VALVE,CHECK			
11		131312-44330	1	PIPE, 3*5*70L	3*5*70L NBR	Sus. by V471-001200	
11		131312-39130	1	PIPE	3*5*70(+3)NBR	Sus. by V471-001200	
11		131312-44330	1	PIPE, 3*5*70L	3*5*70L NBR	Sus. by V471-001200	

7. Fuel Tank



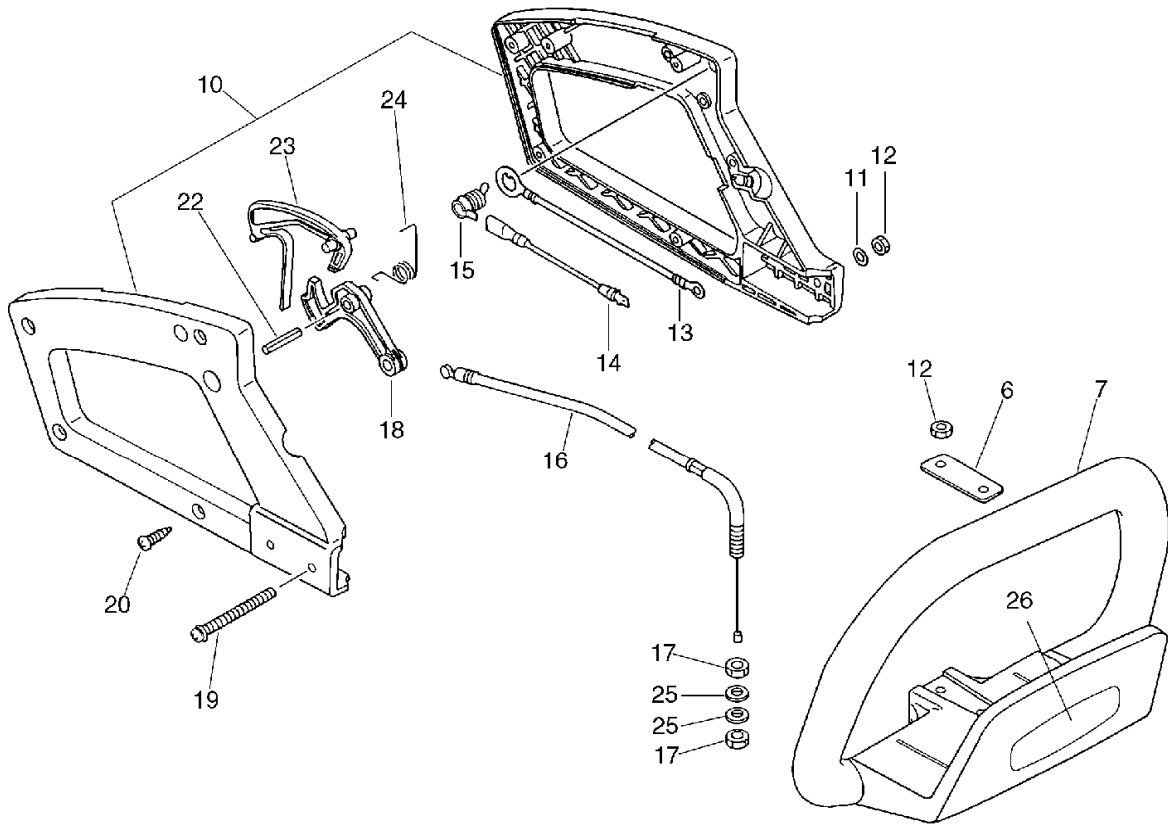
KEY	LV	PART NUMBER	Q'TY	DESCRIPTION	REMARKS	NOTE1	NOTE2
11		V471-001200	1	PIPE	3*5*70 NBR		
12		132010-07530	1	PIPE, FUEL	3*5*195L	Sus. by V470-000580	
12		V470-000580	1	PIPE	3*5*195		
13		132115-46730	1	GROMMET, FUEL			
14		132013-09820	1	CLIP	6MM		
15		131205-07320	1	STRAINER, FUEL			
16		132717-06460	1	PIPE 3*5*110	3*5*110	Sus. by 132010-06460	
16		132010-06460	1	PIPE 3*6*110	3*6*110 YL		
17		131004-48730	1	CAP ASSY, FUEL TANK		Sus. by 131004-55730	
17		131004-55730	1	CAP ASSY, FUEL TANK		Sus. by 131004-06560	
17		131004-06560	1	CAP ASSY, FUEL TANK		Sus. by 131004-08960	
17		131004-08960	1	CAP ASSY, FUEL			
18	+	131016-40930	1	GASKET, FUEL CAP		Can be used on the 131004-06560	
18	+	131016-55830	1	GASKET, FUEL CAP		Can be used on the 131004-08960	
19	+	131051-52430	1	CONNECTOR, CAP	80L		

8. Handle(Sr/Nr 36019100 and before)



KEY	LV	PART NUMBER	Q'TY	DESCRIPTION	REMARKS	NOTE1	NOTE2
6		351611-05360	1	WASHER			
7		351610-05360	1	HANDLE, FRONT			
8		890157-06560	1	LABEL, SWITCH			
10		351100-06560	1	HANDLE SET, REAR			
11		900602-00005	4	WASHER 5	5.3*10*1	Sus. by 900600-00005	
11		900600-00005	4	WASHER 5	5		
12		900560-00005	3	NUT, LOCK 5	5		
13		162010-05360	1	LEAD, GROUND			
14		162014-05360	1	LEAD, GROUND			
15		163400-03460	1	SWITCH, IGNITION			
16		178001-05360	1	WIRE, THROTTLE			
17		900502-00006	2	NUT 6 (3N)	3N6		
18		178010-06560	1	CONTROL, THROTTLE			
19		900220-05050	2	SCREW 5*50	5*50	Sr/Nr 35501401 and after	
19		900220-05047	2	SCREW 5*47	5*47	Sr/Nr 35501400 and before	
20		900255-04016	5	SCREW 4*16	4*16		
22		900342-50025	1	PIN, SPRING 5*25	5*25		
23		178090-06560	1	LOCKOUT, T. CONTROL			
24		178043-15130	1	SPRING, THR. RETURN			
25		900600-00006	2	WASHER 6	6		

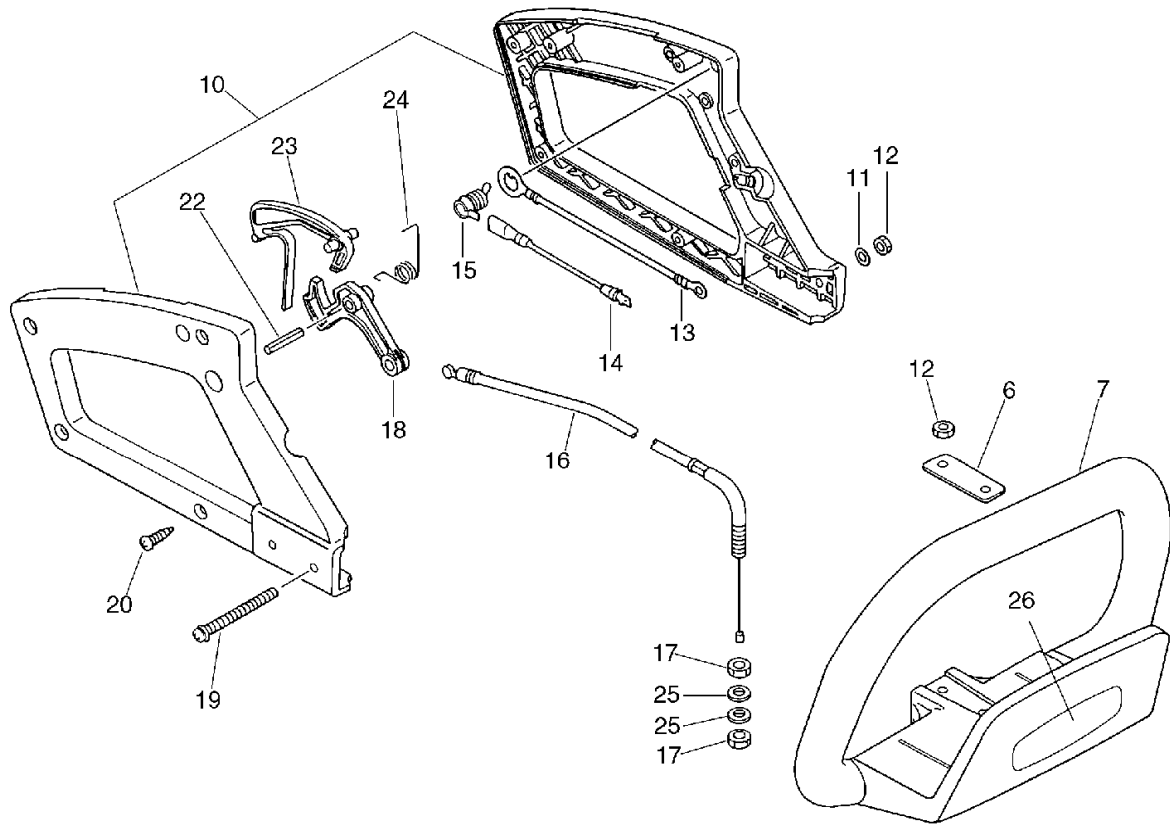
8. Handle(Sr/Nr 36019100 and before)



KEY	LV	PART NUMBER	Q'TY	DESCRIPTION	REMARKS	NOTE1	NOTE2
-----	----	-------------	------	-------------	---------	-------	-------

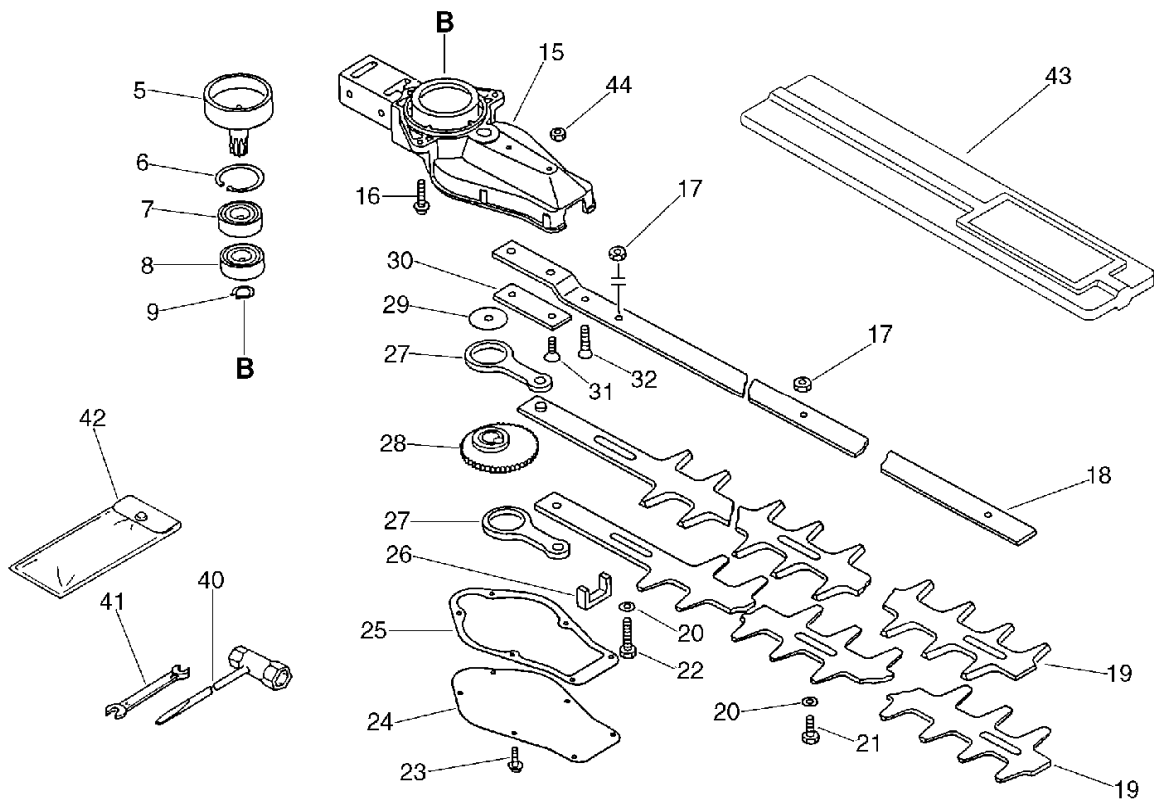
26		X502-000260	1	LABEL,ECHO	100*26.9	Sr/Nr 36010411 and after Sus. by X502-000430	
----	--	-------------	---	------------	----------	--	--

9. Handle(Sr/Nr 36019101 and after)



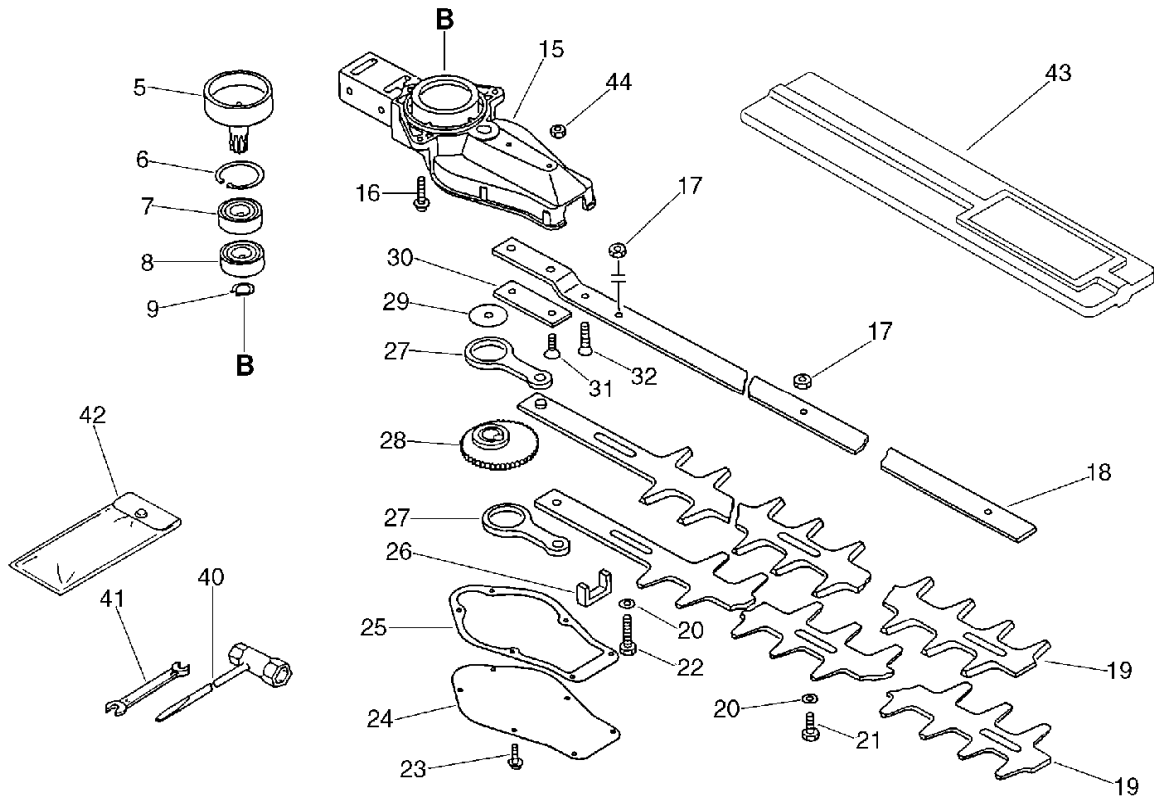
KEY	LV	PART NUMBER	Q'TY	DESCRIPTION	REMARKS	NOTE1	NOTE2
6		351611-05360	1	WASHER			
7		351610-05360	1	HANDLE, FRONT			
8		890157-06560	1	LABEL, SWITCH		Disuse	
10		351100-06560	1	HANDLE SET, REAR			
11		900600-00005	2	WASHER 5	5		
12		900560-00005	3	NUT, LOCK 5	5		
13		162010-05360	1	LEAD, GROUND			
14		162014-05360	1	LEAD, GROUND			
15		163400-03460	1	SWITCH, IGNITION			
16		178001-05360	1	WIRE, THROTTLE			
17		900502-00006	2	NUT 6 (3N)	3N6		
18		178010-06560	1	CONTROL, THROTTLE			
19		900242-05050	2	SCREW 5*50	5*50		
20		900255-04016	5	SCREW 4*16	4*16		
22		900342-50025	1	PIN, SPRING 5*25	5*25		
23		178090-06560	1	LOCKOUT, T. CONTROL			
24		178043-15130	1	SPRING, THR. RETURN			
25		900600-00006	2	WASHER 6	6		
26		X502-000260	1	LABEL,ECHO	100*26.9	Sus. by X502-000430	
26		X502-000430	1	LABEL,ECHO			

10. Gear Case, Cutter, Tools (Sr/Nr 114000 and before)



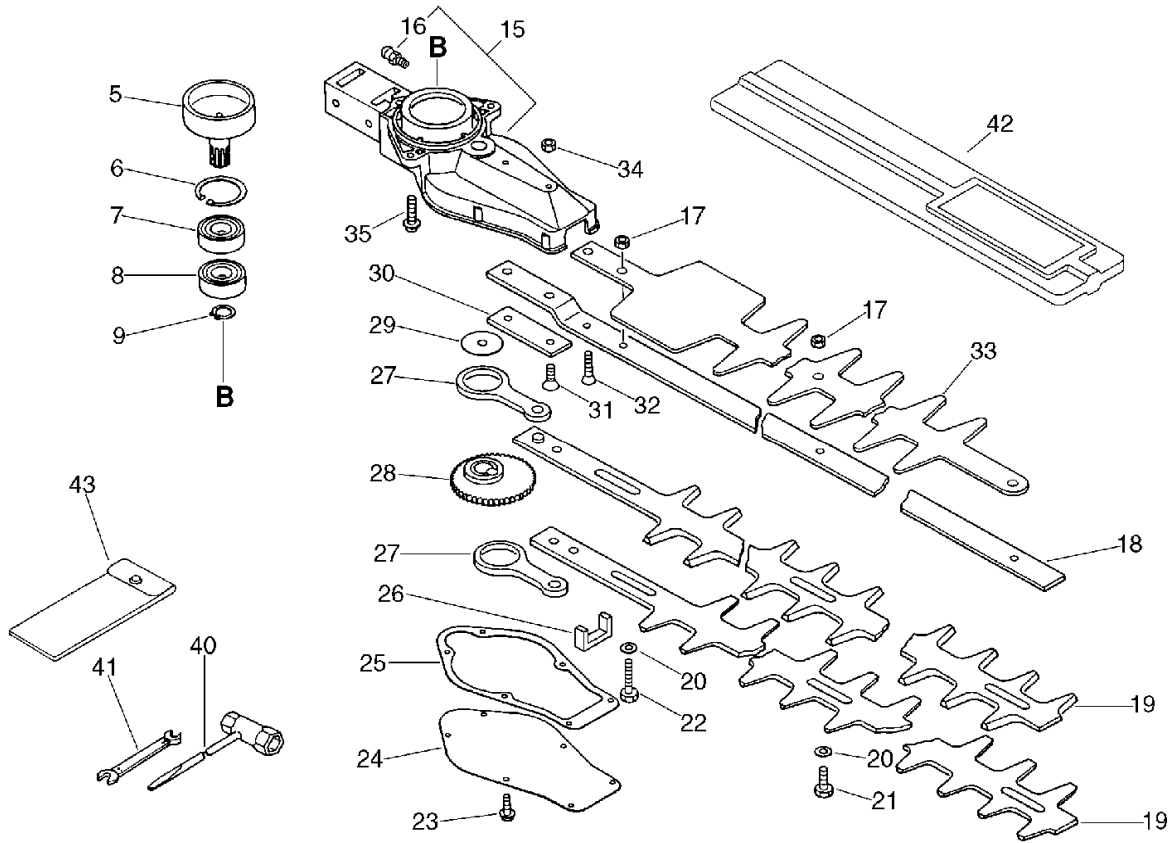
KEY	LV	PART NUMBER	Q'TY	DESCRIPTION	REMARKS	NOTE1	NOTE2
		610403-05360	1	HOUSING UNIT, CUTTER			
5	+	175005-04560	1	DRUM, CLUTCH			
6	+	900702-00035	1	CIRCLIP 35	CR-35		
7	+	900813-36202	1	BEARING, BALL 6202	6202Z/C3		
8	+	900810-36202	1	BEARING, BALL 6202	6202/C3		
9	+	900701-00014	1	CIRCLIP 14	CS-14		
15	+	610407-05360	1	CASE, GEAR			
16	+	900162-05020	3	BOLT, H.S. 5*20	5*20 W,SW		
17	+	900560-00006	4	NUT, LOCK	6		
18	+	699110-05360	1	BAR, FRAME			
19	+	697010-05360	2	CUTTER			
20	+	699118-04560	4	WASHER			
21	+	699115-04560	3	BOLT, CUTTER			
22	+	699115-05360	1	BOLT			
23	+	900162-04010	6	BOLT, H.S. 4*10	4*10 W,SW		
24	+	610411-05361	1	LID, GEARCASE			
25	+	610414-05360	1	GASKET, GEAR HOUSING			
26	+	610425-04560	1	SEAL			
27	+	610330-04560	2	ROD, CONNECTING			
28	+	610312-04560	1	GEAR			
29	+	610350-04560	1	WASHER			
30	+	610440-04560	1	HOLDER, FRAME			
31	+	900212-06025	2	SCREW 6*25	+SF6*25		
32	+	900212-05030	1	SCREW (5*30*P0.8)	+SF5*30		
40		895410-00430	1	WRENCH, W/S. DRIVER			
41		895112-00330	1	SPANNER 8*10			

10. Gear Case, Cutter, Tools (Sr/Nr 114000 and before)



KEY	LV	PART NUMBER	Q'TY	DESCRIPTION	REMARKS	NOTE1	NOTE2
42		898510-39130	1	BAG, TOOL			
43		898523-06960	1	SCABBARD, BLADE		Sus. by X495-000051	
43		X495-000051	1	SCABBARD, BLADE			
44		900500-00006	2	NUT 6	6		

11. Gear Case, Cutter, Tools (Sr/Nr 114001 to 199999, 35501401 a

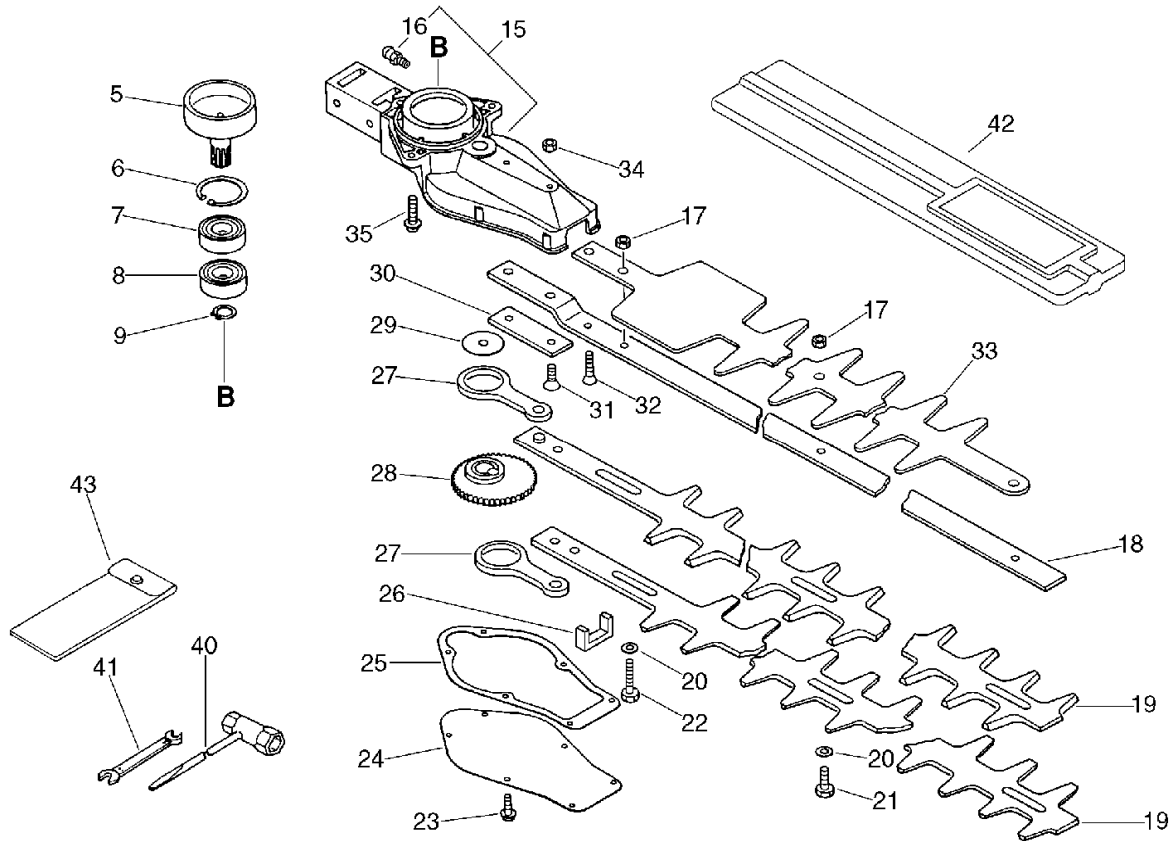


KEY	LV	PART NUMBER	Q'TY	DESCRIPTION	REMARKS	NOTE1	NOTE2
		610403-06960	1	HOUSING UNIT, CUTTER		Sus. by P021-009370	
		610403-06961	1	CASE ASY, GEAR		Sus. by P021-009370	
		610403-06962	1	CASE ASY, GEAR		Sus. by P021-009370	
		610403-06963	1	CASE ASY, GEAR		Sus. by P021-009370	
		610403-06964	1	CASE ASY, GEAR		Sus. by P021-009370	
		P021-009370	1	HOUSING ASSY, GEAR			
5	+	175005-04560	1	DRUM, CLUTCH			
6	+	900702-00035	1	CIRCLIP 35	CR-35		
7	+	900813-36202	1	BEARING, BALL 6202	6202Z/C3		
8	+	900810-36202	1	BEARING, BALL 6202	6202/C3		
9	+	900701-00014	1	CIRCLIP 14	CS-14		
15	+	610407-05360	1	CASE, GEAR		Sus. by 610407-05361	
15	+	610407-05361	1	CASE, GEAR			
16	++	880110-10860	1	NIPPLE, GREASE		Can be used on 610407-05361 only	
17	+	433022-06460	4	NUT			
18	+	699110-06960	1	BAR, FRAME			
19	+	697010-06960	2	CUTTER		Sus. by X411-000280	

and after)



11. Gear Case, Cutter, Tools (Sr/Nr 114001 to 199999, 35501401 a

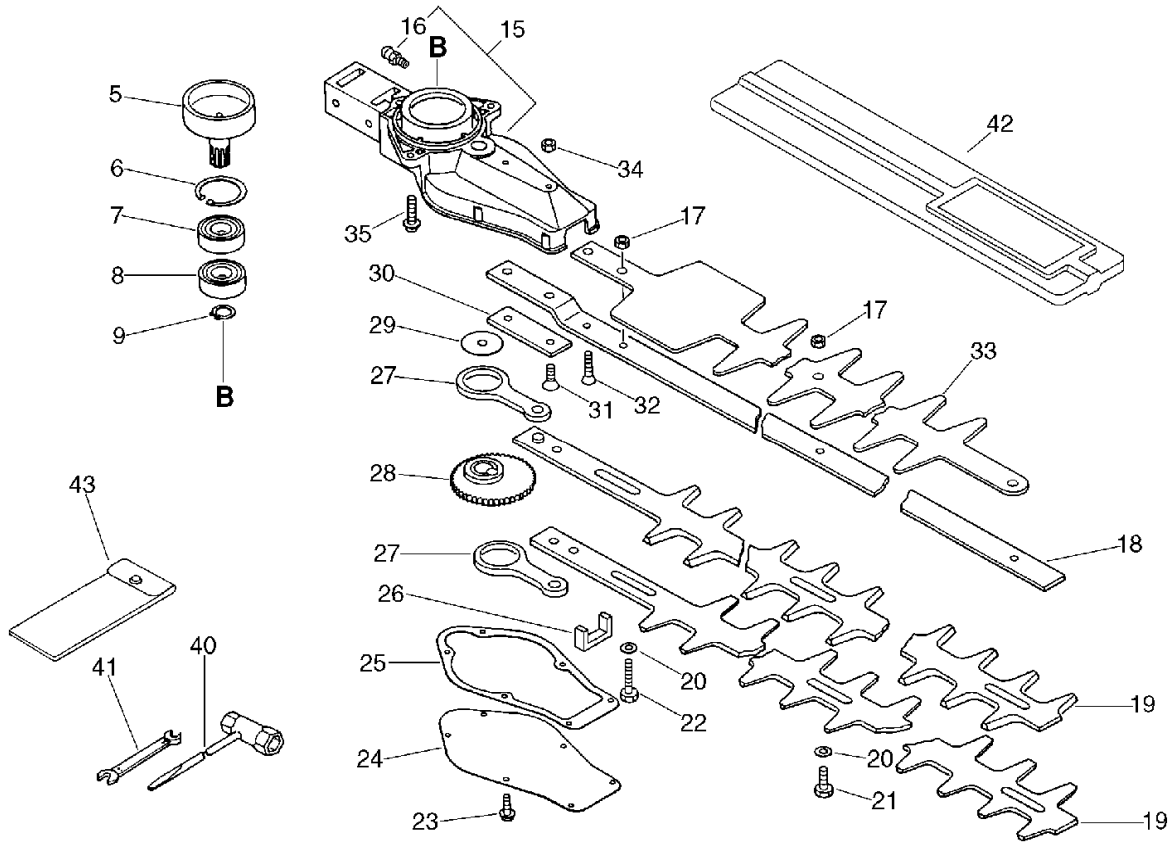


KEY	LV	PART NUMBER	Q'TY	DESCRIPTION	REMARKS	NOTE1	NOTE2
19	+	X411-000050	2	CUTTER	615L	Sus. by X411-000280	
19	+	X411-000280	2	CUTTER			
20	+	699118-04560	4	WASHER			
21	+	699115-04660	3	BOLT 6	6*18L		
22	+	699115-05360	1	BOLT			
23	+	900162-04010	6	BOLT, H.S. 4*10	4*10 W,SW		
24	+	610411-05361	1	LID, GEARCASE			
25	+	610414-05360	1	GASKET, GEAR HOUSING			
26	+	610425-04560	1	SEAL			
27	+	610330-04560	2	ROD, CONNECTING		Sus. by C532-000120	
27	+	610330-04561	2	ROD, CONNECTING		Sus. by C532-000120	
27	+	C532-000120	2	ROD, CONNECTING			
28	+	610312-04560	1	GEAR			
29	+	610350-04560	1	WASHER			
30	+	610440-04560	1	HOLDER, FRAME			
31	+	900212-06025	2	SCREW 6*25	+SF6*25		
32	+	900212-05030	1	SCREW (5*30*P0.8)	+SF5*30		
33	+	699125-06560	1	BLUNT	539L		
34	+	900500-00006	2	NUT 6	6		
35	+	900162-05020	3	BOLT, H.S. 5*20	5*20 W,SW		
40		895410-00430	1	WRENCH, W/S. DRIVER		Sus. by 895410-03930	
41		895112-00330	1	SPANNER 8*10			

and after)

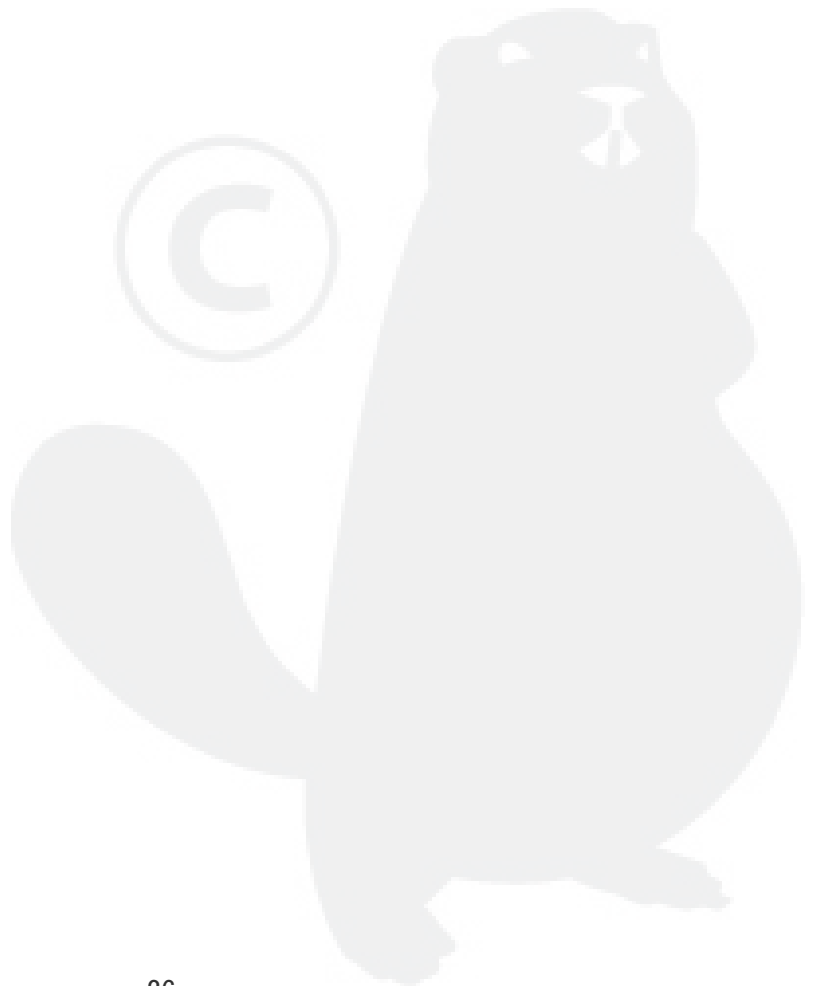


11. Gear Case, Cutter, Tools (Sr/Nr 114001 to 199999, 35501401 a

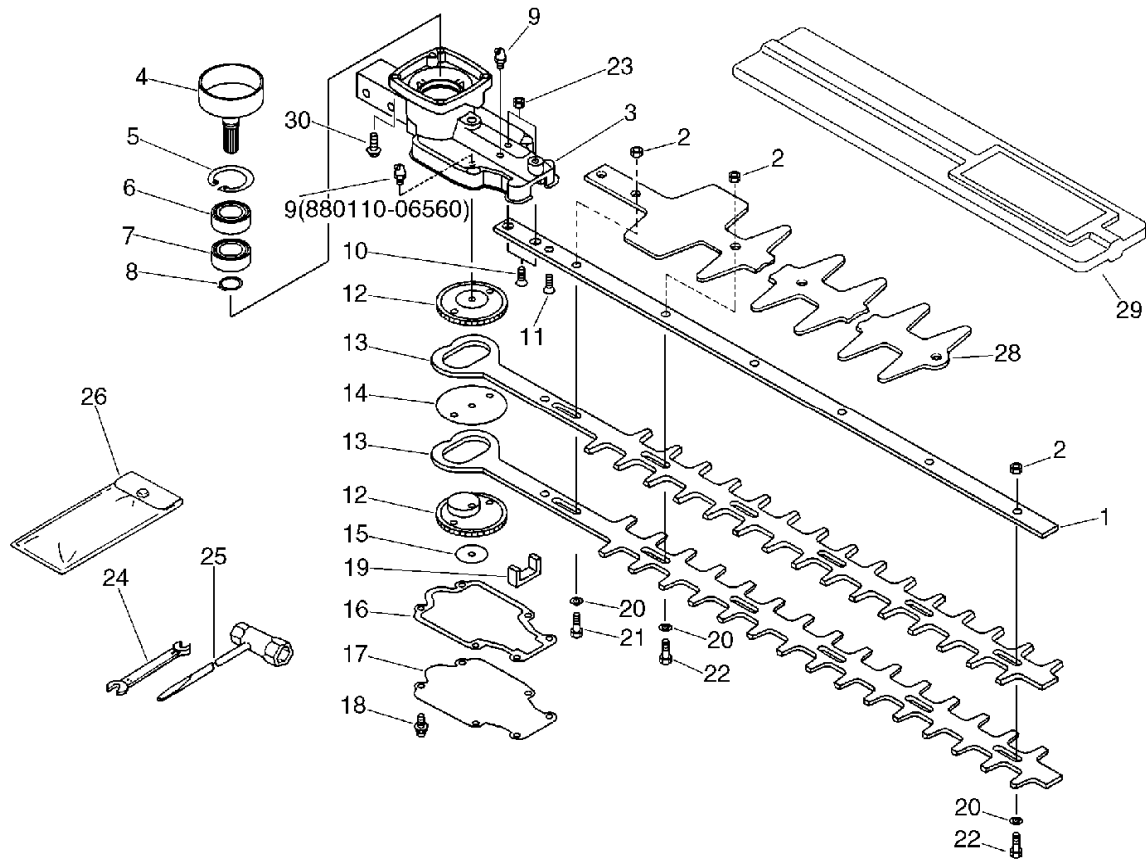


KEY	LV	PART NUMBER	Q'TY	DESCRIPTION	REMARKS	NOTE1	NOTE2
42		898523-06960	1	SCABBARD, BLADE		Sus. by X495-000051	
42		X495-000051	1	SCABBARD, BLADE			
43		898510-39130	1	BAG, TOOL			

and after)

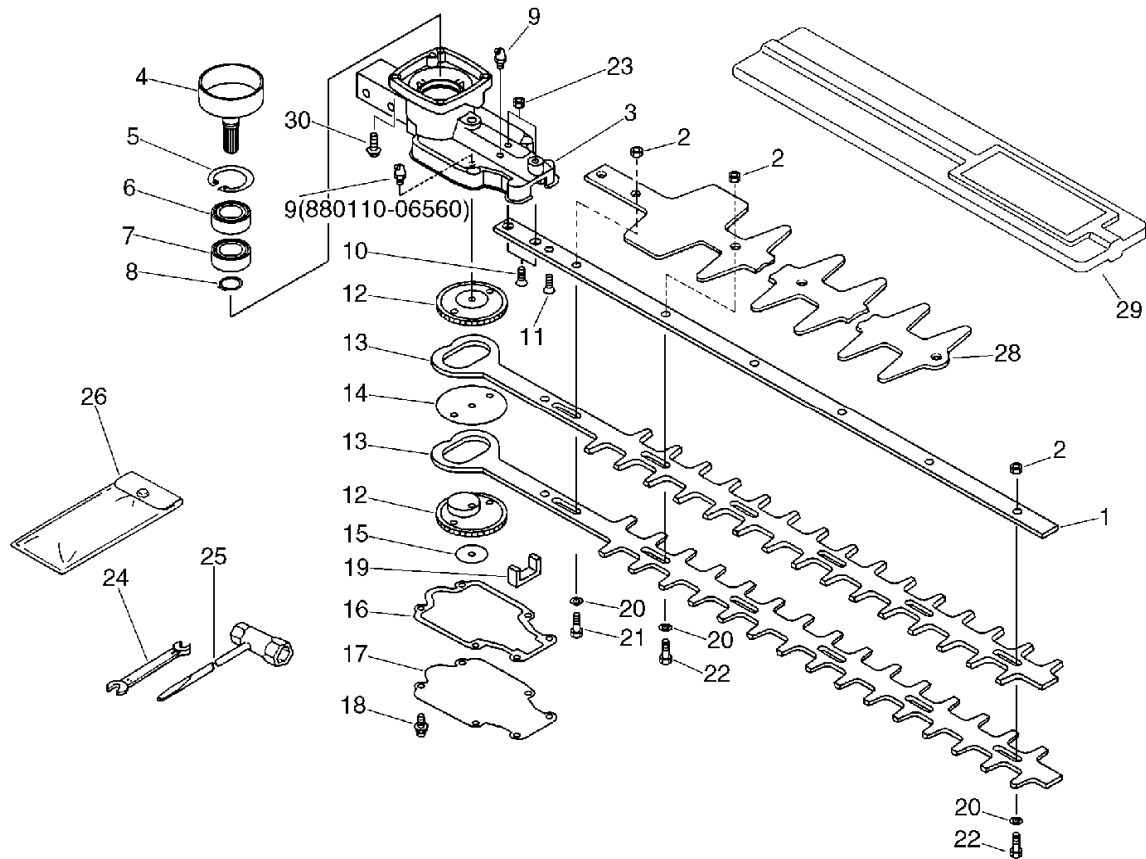


12. Gear Case, Cutter, Tools (Sr/Nr 200000 to 35501400)



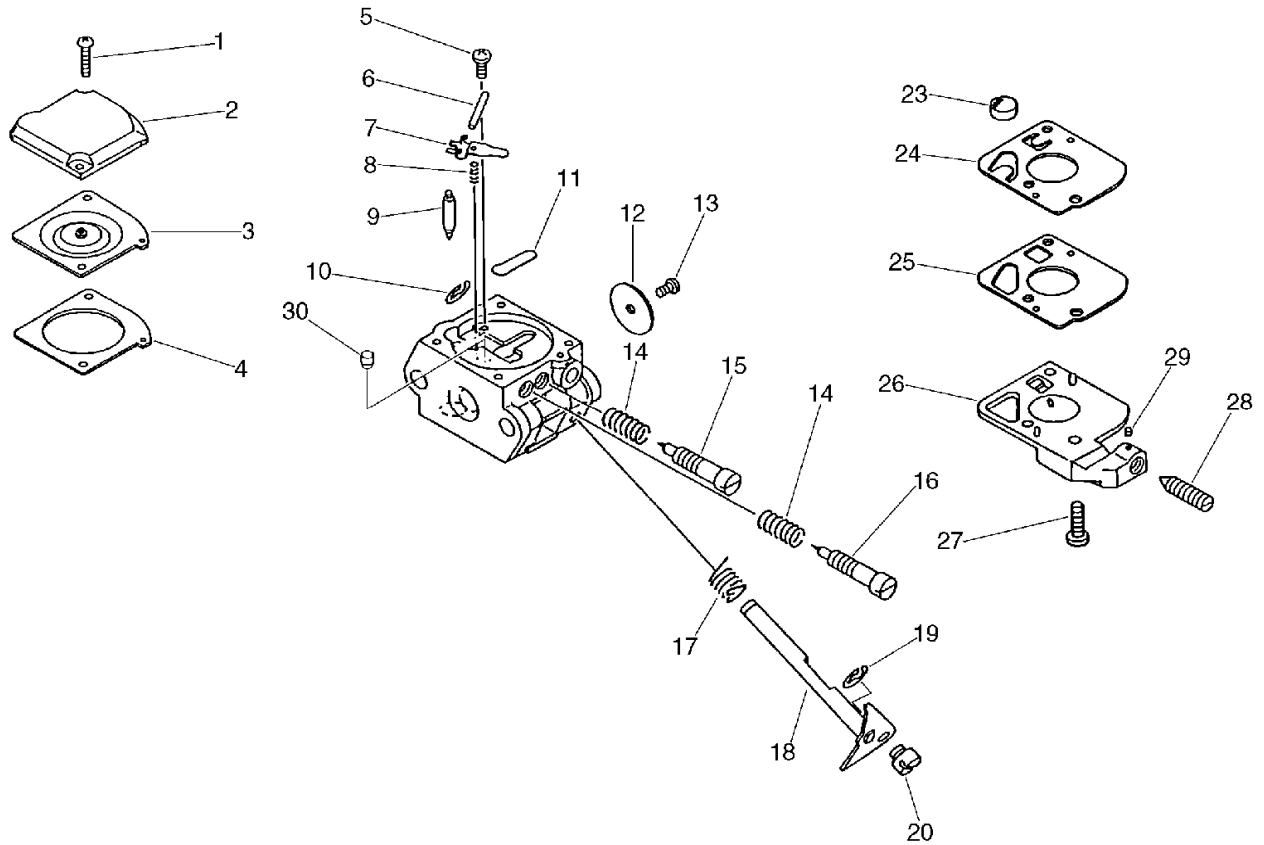
KEY	LV	PART NUMBER	Q'TY	DESCRIPTION	REMARKS	NOTE1	NOTE2
1		699117-06560	1	SUPPORT, CUTTER		Sus. by X425-000010	
1		X425-000010	1	SUPPORT,CUTTER	HC-1500		
2		433022-06460	6	NUT			
3		610410-06560	1	CASE, GEAR		Sus.by 610407-06560	
3		610407-06560	1	CASE, GEAR			
9	+	880110-54230	1	NIPPLE, GREASE		Sr/Nr 213552 and after	
9		880110-06560	1	NIPPLE, GREASE		Sr/Nr 200000 to 213551	
4		175005-06560	1	DRUM, CLUTCH			
5		900702-00035	1	CIRCLIP 35	CR-35		
6		900872-36202	1	BEARING, BALL 6202	6202		
7		900870-36202	1	BEARING, BALL 6202	6202/3		
8		900701-00014	1	CIRCLIP 14	CS-14		
10		900212-06030	2	SCREW			
11		900212-05030	1	SCREW (5*30*P0.8)	+SF5*30		
12		610312-06560	2	GEAR, SPUR		Sus.by V650-000080	
12		V650-000080	2	GEAR,SPUR			
13		697010-06560	2	CUTTER		Sus. by X411-000270	
13		X411-000020	2	CUTTER	HC-1500	Sus. by X411-000270	
13		X411-000270	2	CUTTER	L=716		

12. Gear Case, Cutter, Tools (Sr/Nr 200000 to 35501400)



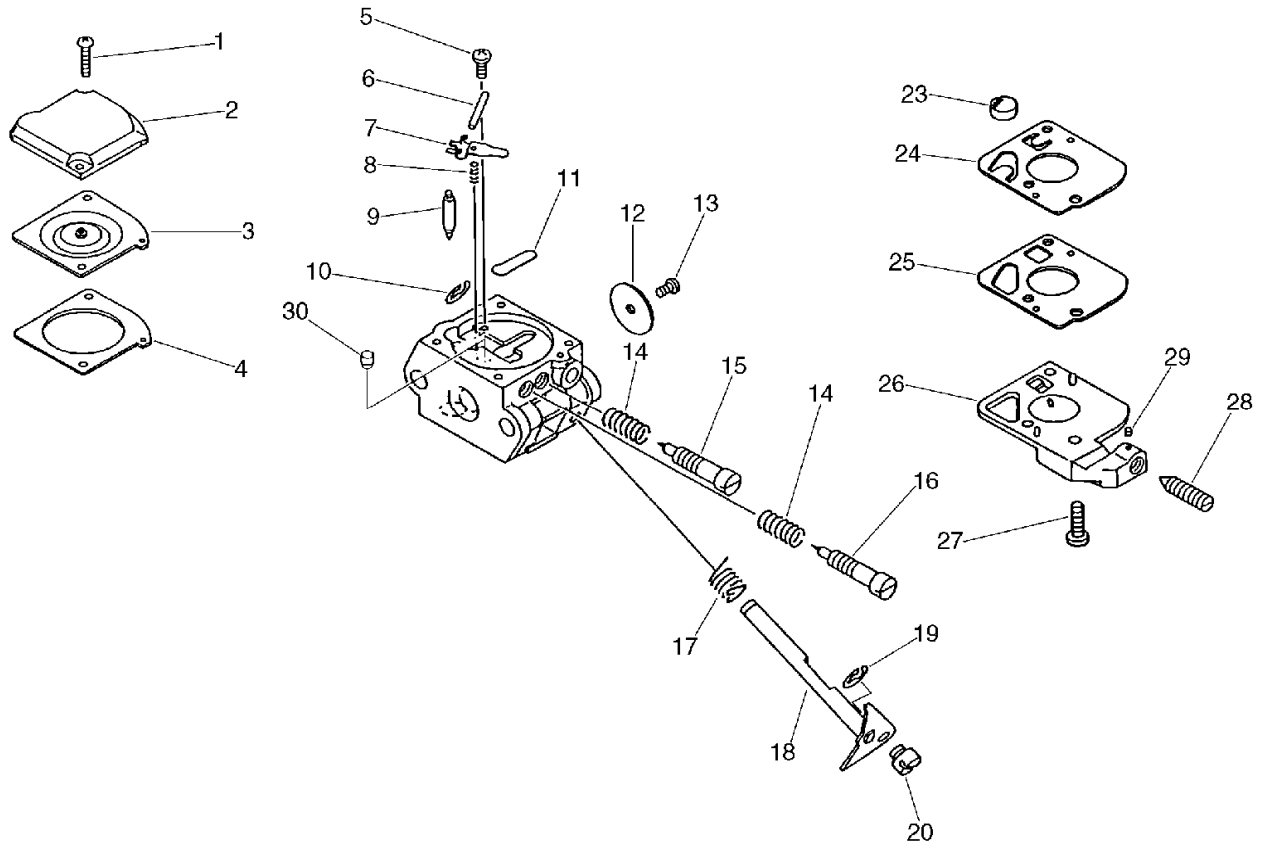
KEY	LV	PART NUMBER	Q'TY	DESCRIPTION	REMARKS	NOTE1	NOTE2
14		689025-05360	1	WASHER 6.7*54*0.38			
15		689025-06560	1	WASHER 6.5*30*0.2			
16		610414-06560	1	GASKET, GEAR HOUSING			
17		610411-06560	1	LID, GEARCASE			
18		900162-04012	6	BOLT, H.S. 4*12	4*12 W,SW		
19		610426-06560	1	SEAL			
20		699118-04560	6	WASHER			
21		699115-06560	1	BOLT, CUTTER			
22		699115-04660	5	BOLT 6	6*18L		
23		900500-00006	2	NUT 6	6		
24		895112-00330	1	SPANNER 8*10			
25		895410-00430	1	WRENCH, W/S. DRIVER			
26		898510-39130	1	BAG, TOOL			
28		699125-05360	1	BLUNT	(リョウハ) 483L	Sus. by X431-000000	
28		X431-000000	1	BLUNT	483MM		
29		898523-06960	1	SCABBARD, BLADE		Sus. by X495-000051	
29		X495-000051	1	SCABBARD, BLADE			
30		900162-05020	3	BOLT, H.S. 5*20	5*20 W,SW		

13. Carburetor (Sr/Nr 035000 and before)



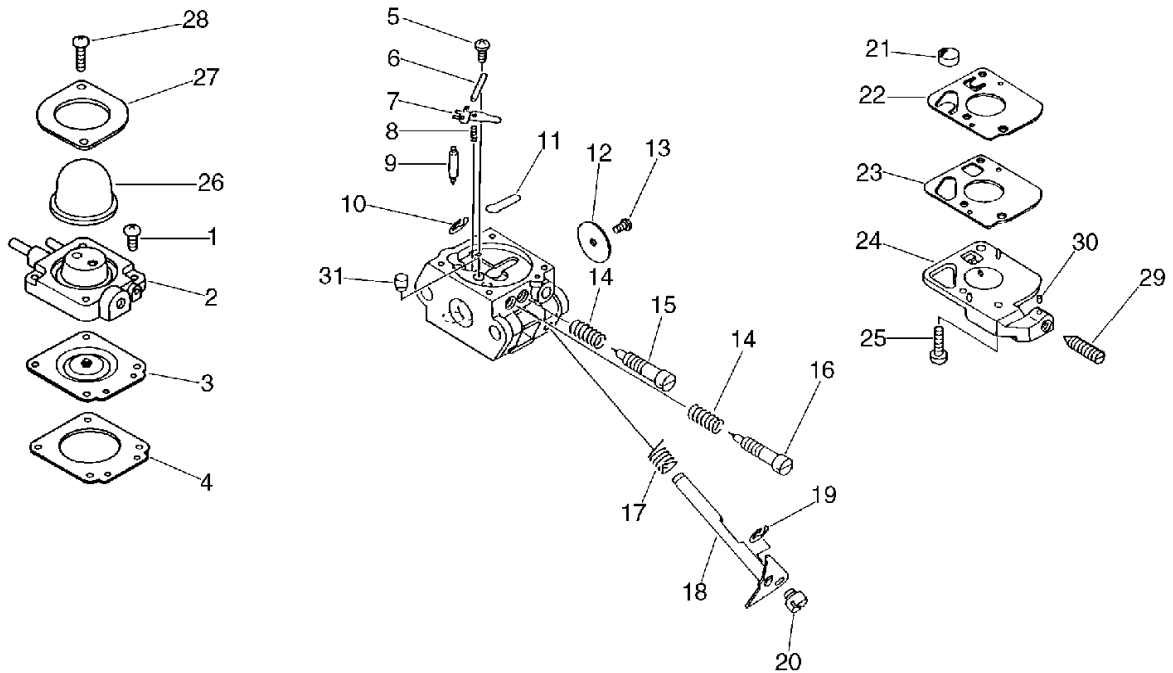
KEY	LV	PART NUMBER	Q'TY	DESCRIPTION	REMARKS	NOTE1	NOTE2
		125200-11520	1	CARBURETOR C1U-K10A	C1U-K10A	Sus. by 125200-11521	
		125200-11521	1	CARBURETOR C1U-K10A	C1U-K10A	Sr/Nr 035000 and before	
1	+	125344-52130	2	SCREW			
2	+	125342-52130	1	COVER, DIAPHRAGM		Sus. by 125342-13210	
2	+	125342-13210	1	COVER, DIAPHRAGM			
3	+	125341-42030	1	DIAPHRAGM			
4	+	125340-11520	1	GASKET, DIAPHRAGM			
5	+	125339-42030	1	SCREW			
6	+	125338-13930	1	PIN, METERING ARM			
7	+	125323-42030	1	LEVER, METERING			
8	+	125322-42030	1	SPRING, COIL			
9	+	125337-13930	1	VALVE, NEEDLE		Sus. by 125337-06960	
9	+	125337-06960	1	VALVE, INLET NEEDLE			
10	+	125327-15130	1	CLIP			
11	+	125345-15130	1	PLUG, WELCH			
12	+	125316-42030	1	VALVE, THROTTLE			
13	+	125314-13930	1	SCREW	3*4		
14	+	125319-42030	2	SPRING, COIL			
15	+	125318-42030	1	NEEDLE, IDLE			
16	+	125320-42030	1	NEEDLE, HIGH SPEED			
17	+	125313-42030	1	SPRING, THRT. RETURN			
18	+	125317-42030	1	SHAFT, THROTTLE			

13. Carburetor (Sr/Nr 035000 and before)



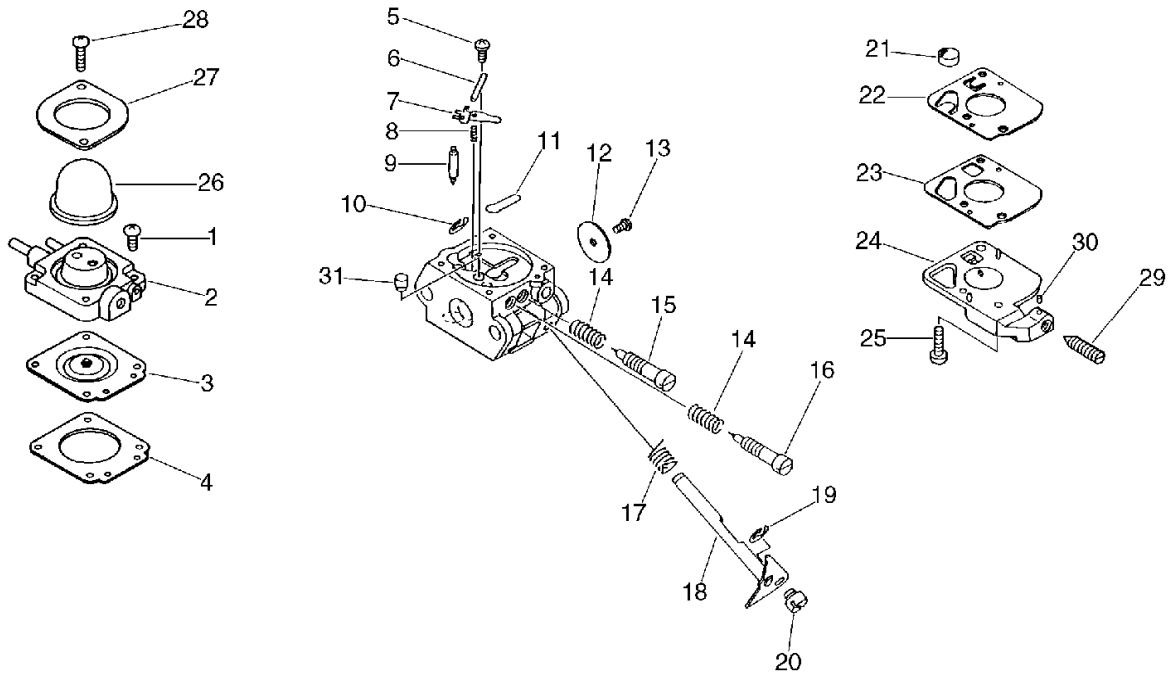
KEY	LV	PART NUMBER	Q'TY	DESCRIPTION	REMARKS	NOTE1	NOTE2
19	+	125327-13930	1	CLIP			
20	+	125372-42030	1	SWIVEL			
23	+	125326-42030	1	STRAINER			
24	+	125312-42030	1	DIAPHRAGM, FUEL PUMP			
25	+	125325-42030	1	GASKET, FUEL PUMP		Sus.by 125325-13310	
25	+	125325-13310	1	GASKET, PUMP			
26	+	125324-42030	1	COVER, PUMP			
27	+	125310-42030	2	SCREW			
28	+	125334-13930	1	SCREW, IDLE ADJUST			
29	+	125378-13930	1	PIECE, FRICTION			
30	+	125376-42030	1	NOZZLE, CHECK VALVE			

14. Carburetor (Sr/Nr 035001 to 154914)



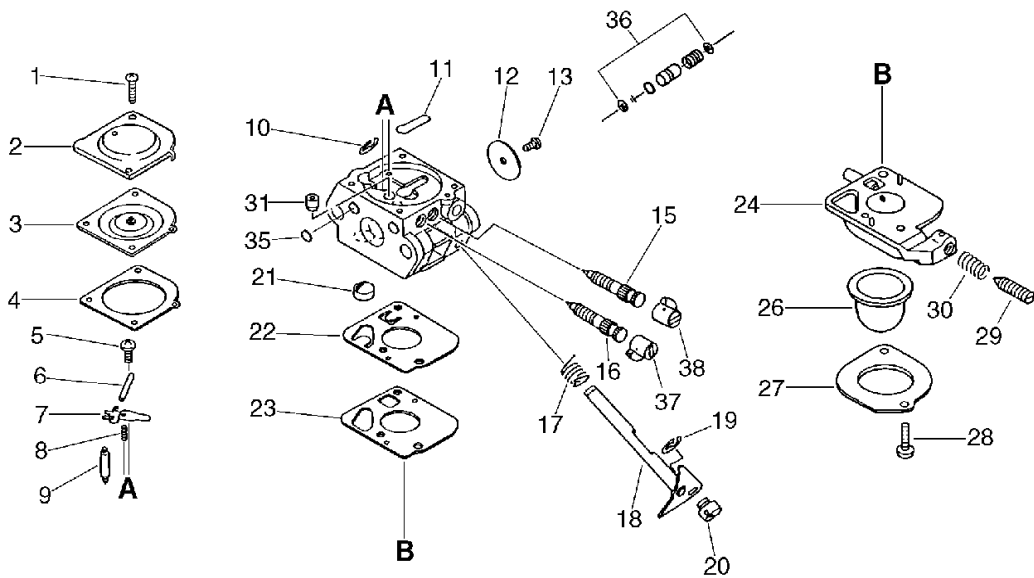
KEY	LV	PART NUMBER	Q'TY	DESCRIPTION	REMARKS	NOTE1	NOTE2
		125200-05360	1	CARBURETOR ASSY	C1U-K17	Sus. by 125200-11823	
		125200-05361	1	CARBURETOR ASSY	C1U-K17	Sus. by 125200-11823	
		125200-11823	1	CARBURETOR ASSY	C1U-K27C	Sr/Nr 035001 to 154914	
1	+	125310-05360	2	SCREW			
2	+	125383-05360	1	BASE, PRIMER			
3	+	125341-34530	1	DIAPHRAGM			
4	+	125340-34530	1	GASKET, DIAPHRAGM			
5	+	125339-42030	1	SCREW			
6	+	125338-15130	1	PIN, ARM		Sus. by 125338-13930	
6	+	125338-13930	1	PIN, METERING ARM			
7	+	125323-42030	1	LEVER, METERING			
8	+	125322-42030	1	SPRING, COIL			
9	+	125337-13930	1	VALVE, NEEDLE		Sus. by 125337-06960	
9	+	125337-06960	1	VALVE, INLET NEEDLE			
10	+	125327-15130	1	CLIP			
11	+	125345-15130	1	PLUG, WELCH			
12	+	125316-42030	1	VALVE, THROTTLE			
13	+	125314-13930	1	SCREW	3*4		
14	+	125319-42030	2	SPRING, COIL			
15	+	125318-42030	1	NEEDLE, IDLE		Sr/Nr 093036 and before	

14. Carburetor (Sr/Nr 035001 to 154914)



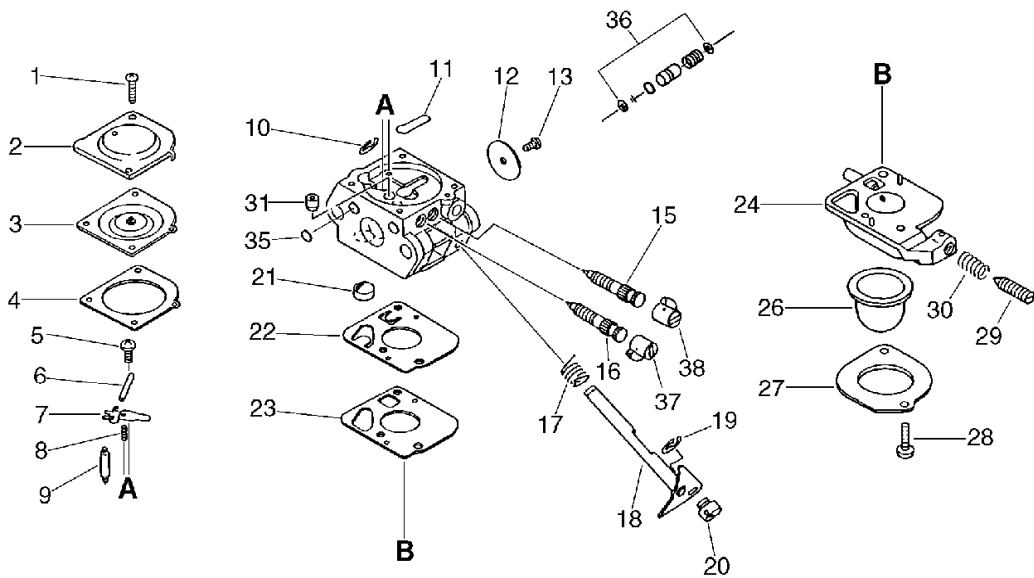
KEY	LV	PART NUMBER	Q'TY	DESCRIPTION	REMARKS	NOTE1	NOTE2
15	+	125318-11820	1	NEEDLE, IDLE		Sr/Nr 093037 to 154914	
16	+	125320-42030	1	NEEDLE, HIGH SPEED			
17	+	125313-42030	1	SPRING, THRT. RETURN			
18	+	125317-11820	1	SHAFT, THROTTLE			
19	+	125327-13930	1	CLIP			
20	+	125372-42030	1	SWIVEL			
21	+	125326-42030	1	STRAINER			
22	+	125312-42030	1	DIAPHRAGM, FUEL PUMP			
23	+	125325-42030	1	GASKET, FUEL PUMP		Sus. by 125325-13310	
23	+	125325-13310	1	GASKET, PUMP			
24	+	125324-42030	1	COVER, PUMP			
25	+	125310-42030	2	SCREW			
26	+	125381-46730	1	PUMP, PRIMING		Sus. by 125381-08660	
26	+	125381-08660	1	PUMP, PRIMING			
27	+	125363-08360	1	RING		Sus. by 125363-08560	
27	+	125363-08560	1	RING			
28	+	125344-05360	2	SCREW			
29	+	125334-13930	1	SCREW, IDLE ADJUST			
30	+	125378-13930	1	PIECE, FRICTION			
31	+	125376-05360	1	NOZZLE, CHECK VALVE			

15. Carburetor (Sr/Nr 154915 to 36024180)



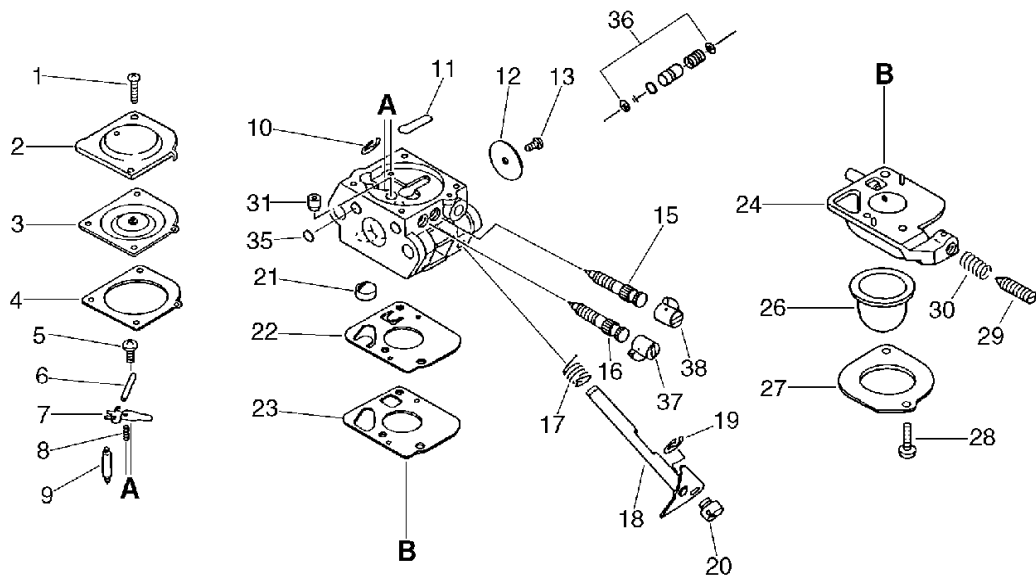
KEY	LV	PART NUMBER	Q'TY	DESCRIPTION	REMARKS	NOTE1	NOTE2
		125200-08460	1	CARBURETOR ASSY	C1U-K45	Sus. by 125200-05964	
		125200-05961	1	CARBURETOR C1U-K51	C1U-K51	Sus. by 125200-05964	
		125200-05962	1	CARBURETOR	C1U-K51	Sus. by 125200-05964	
		125200-05963	1	CARBURETOR C1U-K51	C1U-K51	Sus. by 125200-05964	
		125200-05964	1	CARBURETOR	C1U-K51	Sr/Nr 154915 to 36024181	
1	+	125344-52130	2	SCREW			
2	+	125342-13210	1	COVER, DIAPHRAGM		Sus. by 125342-52130	
2	+	125342-52130	1	COVER, DIAPHRAGM			
3	+	125341-42030	1	DIAPHRAGM		Sr/Nr 154915 to 212516	
3	+	125341-49030	1	DIAPHRAGM		Sr/Nr 212517 and after	
4	+	125340-51030	1	GASKET, DIAPHRAGM			
5	+	125339-42030	1	SCREW			
6	+	125338-13930	1	PIN, METERING ARM			
7	+	125323-42030	1	LEVER, METERING			
8	+	125322-42030	1	SPRING, COIL			
9	+	125337-06960	1	VALVE, INLET NEEDLE			
10	+	125327-15130	1	CLIP			
11	+	125345-15130	1	PLUG, WELCH			

15. Carburetor (Sr/Nr 154915 to 36024180)



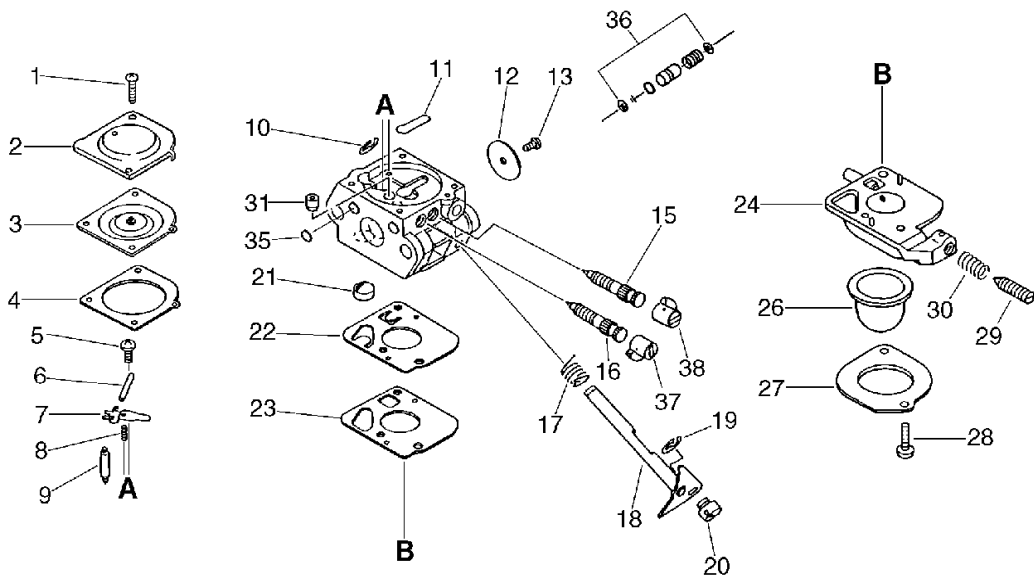
KEY	LV	PART NUMBER	Q'TY	DESCRIPTION	REMARKS	NOTE1	NOTE2
12	+	125316-49030	1	VALVE, THROTTLE			
13	+	125314-13930	1	SCREW	3*4		
14	+	125319-42030	2	SPRING, COIL		Sr/Nr 154915 to 212516	
15	+	125318-07360	1	NEEDLE, IDLE		Sr/Nr 154915 to 212516	
15	+	125318-13120	1	SCREW, IDLE NEEDLE		Sr/Nr 212517 and after	
16	+	125320-07360	1	NEEDLE, HIGH SPEED		Sr/Nr 154915 to 212516	
16	+	125320-13310	1	NEEDLE, HIGH SPEED		Sr/Nr 212517 and after	
17	+	125313-42030	1	SPRING, THRT. RETURN			
18	+	125317-49030	1	SHAFT, THROTTLE		Sr/Nr 154915 to 212516	
18	+	125317-13310	1	SHAFT, THROTTLE		Sr/Nr 212517 and after	
19	+	125327-13930	1	CLIP			
20	+	125372-42030	1	SWIVEL			
21	+	125326-42030	1	STRAINER			
22	+	125312-49030	1	DIAPHRAGM, FUEL PUMP		Can be used on 125200-08460	
22	+	125312-12820	1	DIAPHRAGM, FUEL PUMP		Can be used on 125200-05961,-05962	

15. Carburetor (Sr/Nr 154915 to 36024180)



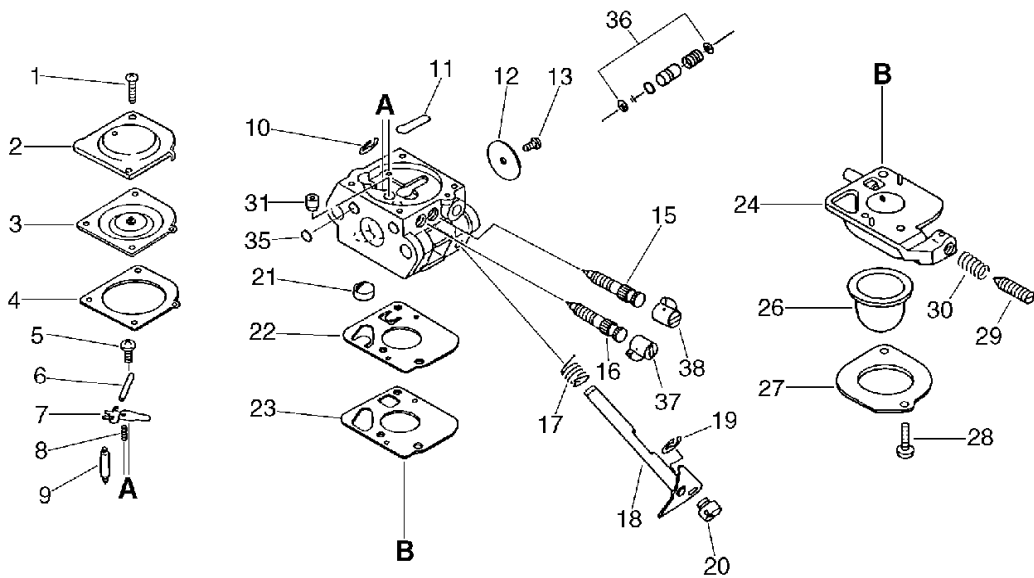
KEY	LV	PART NUMBER	Q'TY	DESCRIPTION	REMARKS	NOTE1	NOTE2
23	+	125325-42030	1	GASKET, FUEL PUMP		Sus. by 125325-13310	
23	+	125325-13310	1	GASKET, PUMP			
24	+	125324-11610	1	COVER, PUMP		Sus. by P005-000590	
24	+	125383-13310	1	BASE, PRIMER		Sus. by P005-000590	
24	+	P005-000590	1	BASE,ASY PRIMER			
26	+	125381-46730	1	PUMP, PRIMING		Sus. by 125381-08660	
26	+	125381-08660	1	PUMP, PRIMING			
27	+	125363-11610	1	RING			
28	+	125310-11610	2	SCREW			
29	+	125334-13930	1	SCREW, IDLE ADJUST		Sr/Nr 228004 and before	
29	+	125334-06960	1	SCREW,THROTTLEADJUST		Sr/Nr 228005 and after	
30	+	125378-13930	1	PIECE, FRICTION		Sr/Nr 228004 and before	
30	+	125333-06960	1	SPRING,IDLE ADJUSTER		Sr/Nr 228005 and after	
31	+	125376-49030	1	NOZZLE, CHACK VALVE		Sr/Nr 154915 to 212516	
31	+	125376-13120	1	NOZZLE, CHECK VALVE		Sr/Nr 212517 and after	

15. Carburetor (Sr/Nr 154915 to 36024180)



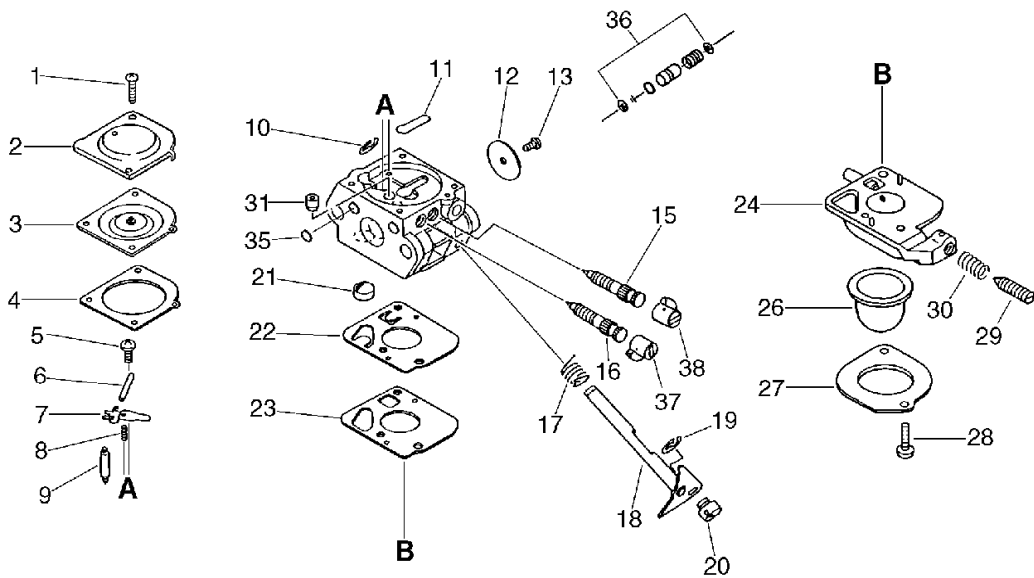
KEY	LV	PART NUMBER	Q'TY	DESCRIPTION	REMARKS	NOTE1	NOTE2
32	+	125353-20560	2	WASHER		Sr/Nr 154915 to 212516	
34	+	125329-39030	1	LIMITER, MIXTURE		Sr/Nr 35999999 and before	
35	+	125345-13310	1	PLUG, WELCH		Sr/Nr 212517 and after	
36	+	125306-13310	1	PUMP KIT, ACC.		Sr/Nr 212517 and after	
37		A259-000030	1	CAP,LIMITER		Sr/Nr 36001001 and after	
38		125329-09860	1	LIMITER, MIXTURE		Sr/Nr 36001001 and after	
		125303-13310	1	DIAPHRAGM/GASKET KIT			
		125300-13310	1	REBUILD KIT			

16. Carburetor (Sr/Nr 36024181 and after)



KEY	LV	PART NUMBER	Q'TY	DESCRIPTION	REMARKS	NOTE1	NOTE2
		125200-05964	1	CARBURETOR	C1U-K51	Sr/Nr 36024181 and after)	
1	+	125344-52130	2	SCREW			
2	+	125342-52130	1	COVER, DIAPHRAGM			
3	+	125341-49030	1	DIAPHRAGM			
4	+	125340-51030	1	GASKET, DIAPHRAGM			
5	+	125339-42030	1	SCREW			
6	+	125338-13930	1	PIN, METERING ARM			
7	+	125323-42030	1	LEVER, METERING			
8	+	125322-42030	1	SPRING, COIL			
9	+	125337-06960	1	VALVE, INLET NEEDLE			
10	+	125327-15130	1	CLIP			
11	+	125345-15130	1	PLUG, WELCH			
12	+	125316-49030	1	VALVE, THROTTLE			
13	+	125314-13930	1	SCREW	3*4		
15	+	125318-13120	1	SCREW, IDLE NEEDLE			
16	+	125320-13310	1	NEEDLE, HIGH SPEED			
17	+	125313-42030	1	SPRING, THRT. RETURN			
18	+	125317-13310	1	SHAFT, THROTTLE			
19	+	125327-13930	1	CLIP			
20	+	125372-42030	1	SWIVEL			
21	+	125326-42030	1	STRAINER			
22	+	125312-12820	1	DIAPHRAGM, FUEL PUMP			
23	+	125325-13310	1	GASKET, PUMP			
24	+	P005-000590	1	BASE, ASY PRIMER			
26	+	125381-08660	1	PUMP, PRIMING			

16. Carburetor (Sr/Nr 36024181 and after)



KEY	LV	PART NUMBER	Q'TY	DESCRIPTION	REMARKS	NOTE1	NOTE2
27	+	125363-11610	1	RING			
28	+	125310-11610	2	SCREW			
29	+	125334-06960	1	SCREW, THROTTLE ADJUST			
30	+	125333-06960	1	SPRING, IDLE ADJUSTER			
31	+	125376-13120	1	NOZZLE, CHECK VALVE			
35	+	125345-13310	1	PLUG, WELCH			
36	+	125306-13120	1	PUMP KIT, ACC.			
36	+	P005-002020	1	PUMP KIT, ACC			
37		A259-000030	1	CAP, LIMITER			
38		125329-09860	1	LIMITER, MIXTURE			

17. Repair Kit

KEY	LV	PART NUMBER	Q'TY	DESCRIPTION	REMARKS	NOTE1	NOTE2
		125303-13310	1	DIAPHRAGM/GASKET KIT			
7-3	+	125341-49030	1	DIAPHRAGM			
7-4	+	125340-51030	1	GASKET, DIAPHRAGM			
7-22	+	125312-12820	1	DIAPHRAGM, FUEL PUMP			
7-23	+	125325-13310	1	GASKET, PUMP			
		125300-13310	1	REBUILD KIT			
7-3	+	125341-49030	1	DIAPHRAGM			
7-4	+	125340-51030	1	GASKET, DIAPHRAGM			
7-6	+	125338-13930	1	PIN, METERING ARM			
7-7	+	125323-42030	1	LEVER, METERING			
7-8	+	125322-42030	1	SPRING, COIL			
7-9	+	125337-06960	1	VALVE, INLET NEEDLE			
7-11	+	125345-15130	1	PLUG, WELCH			
7-21	+	125326-42030	1	STRAINER			
7-22	+	125312-12820	1	DIAPHRAGM, FUEL PUMP			
7-23	+	125325-13310	1	GASKET, PUMP			

Index

Patrs Number	Key No.	Patrs Number	Key No.	Patrs Number	Key No.
100000-06961	1 - 11	125200-05360	5 - 10	125316-49030	15 - 12
100000-06962	1 - 11	125200-05361	14 -	125316-49030	16 - 12
100000-07760	1 - 11	125200-05361	5 - 10	125317-11820	14 - 18
100000-44330	1 - 11	125200-05961	15 -	125317-13310	15 - 18
100011-05330	1 - 17	125200-05961	5 - 10	125317-13310	16 - 18
100011-05330	1 - 17	125200-05962	15 -	125317-42030	13 - 18
100012-11520	1 - 12	125200-05962	5 - 10	125317-49030	15 - 18
100012-51230	1 - 12	125200-05963	15 -	125318-07360	15 - 15
100013-11520	1 - 16	125200-05963	5 - 10	125318-11820	14 - 15
100013-11520	2 - 16	125200-05964	15 -	125318-13120	15 - 15
100014-08960	1 - 13	125200-05964	16 -	125318-13120	16 - 15
100014-08960	2 - 13	125200-05964	5 - 10	125318-42030	13 - 15
100014-11520	1 - 13	125200-05964	6 - 10	125318-42030	14 - 15
100015-04630	1 - 15	125200-08460	15 -	125319-42030	13 - 14
100015-04630	2 - 15	125200-08460	5 - 10	125319-42030	14 - 14
100100-05360	1 - 10	125200-11520	13 -	125319-42030	15 - 14
100100-05361	1 - 10	125200-11520	5 - 10	125320-07360	15 - 16
100100-06560	1 - 10	125200-11521	13 -	125320-13310	15 - 16
100100-06561	1 - 10	125200-11521	5 - 10	125320-13310	16 - 16
100100-06562	1 - 10	125200-11823	14 -	125320-42030	13 - 16
100100-06563	1 - 10	125200-11823	5 - 10	125320-42030	14 - 16
100100-06564	1 - 10	125300-13310	15 -	125322-42030	13 - 8
100100-06564	2 - 10	125300-13310	17 -	125322-42030	14 - 8
100113-05930	1 - 12	125303-13310	15 -	125322-42030	15 - 8
100113-05930	2 - 12	125303-13310	17 -	125322-42030	16 - 8
100204-05360	1 - 4	125306-13120	16 - 36	125322-42030	17 - 7-8
100204-05361	1 - 4	125306-13310	15 - 36	125323-42030	13 - 7
100204-05361	2 - 4	125310-05360	14 - 1	125323-42030	14 - 7
100212-42030	1 - 5	125310-11610	15 - 28	125323-42030	15 - 7
100212-42031	1 - 5	125310-11610	16 - 28	125323-42030	16 - 7
100212-42031	2 - 5	125310-42030	13 - 27	125323-42030	17 - 7-7
100215-03930	1 - 9	125310-42030	14 - 25	125324-11610	15 - 24
100215-03930	2 - 9	125312-12820	15 - 22	125324-42030	13 - 26
100242-42030	1 - 8	125312-12820	16 - 22	125324-42030	14 - 24
100242-42030	2 - 8	125312-12820	17 - 7-22	125325-13310	13 - 25
101010-42031	1 - 27	125312-12820	17 - 7-22	125325-13310	14 - 23
101010-44330	1 - 27	125312-42030	13 - 24	125325-13310	15 - 23
101010-44331	1 - 27	125312-42030	14 - 22	125325-13310	16 - 23
101010-44332	1 - 27	125312-49030	15 - 22	125325-13310	17 - 7-23
101010-44332	2 - 27	125313-42030	13 - 17	125325-13310	17 - 7-23
101011-06560	1 - 19	125313-42030	14 - 17	125325-42030	13 - 25
101011-06561	1 - 19	125313-42030	15 - 17	125325-42030	14 - 23
101011-06562	1 - 19	125313-42030	16 - 17	125325-42030	15 - 23
101011-06562	2 - 19	125314-13930	13 - 13	125326-42030	13 - 23
101011-45230	1 - 19	125314-13930	14 - 13	125326-42030	14 - 21
101506-05361	2 - 25	125314-13930	15 - 13	125326-42030	15 - 21
101506-06560	1 - 25	125314-13930	16 - 13	125326-42030	16 - 21
101506-06561	1 - 25	125316-42030	13 - 12	125326-42030	17 - 7-21
125200-05360	14 -	125316-42030	14 - 12	125327-13930	13 - 19

Index

Patrs Number	Key No.	Patrs Number	Key No.	Patrs Number	Key No.
125327-13930	14 - 19	125342-52130	13 - 2	130017-42031	6 - 7
125327-13930	15 - 19	125342-52130	15 - 2	130307-05360	5 - 14
125327-13930	16 - 19	125342-52130	16 - 2	130307-06560	5 - 14
125327-15130	13 - 10	125344-05360	14 - 28	130307-06561	5 - 14
125327-15130	14 - 10	125344-52130	13 - 1	130310-04560	5 - 18
125327-15130	15 - 10	125344-52130	15 - 1	130310-06560	5 - 18
125327-15130	16 - 10	125344-52130	16 - 1	130310-54130	5 - 18
125329-09860	15 - 38	125345-13310	15 - 35	130310-54130	6 - 18
125329-09860	16 - 38	125345-13310	16 - 35	130313-05060	5 - 19
125329-39030	15 - 34	125345-15130	13 - 11	130313-05863	6 - 19
125333-06960	15 - 30	125345-15130	14 - 11	130313-06560	5 - 19
125333-06960	16 - 30	125345-15130	15 - 11	130313-06561	5 - 19
125334-06960	15 - 29	125345-15130	16 - 11	130313-06563	5 - 19
125334-06960	16 - 29	125345-15130	17 - 7-11	130313-44330	5 - 19
125334-13930	13 - 28	125353-20560	15 - 32	130313-44331	5 - 19
125334-13930	14 - 29	125363-08360	14 - 27	131004-06560	7 - 17
125334-13930	15 - 29	125363-08560	14 - 27	131004-08960	7 - 17
125337-06960	13 - 9	125363-11610	15 - 27	131004-48730	7 - 17
125337-06960	14 - 9	125363-11610	16 - 27	131004-55730	7 - 17
125337-06960	15 - 9	125372-42030	13 - 20	131005-05360	7 - 5
125337-06960	16 - 9	125372-42030	14 - 20	131005-05361	7 - 5
125337-06960	17 - 7-9	125372-42030	15 - 20	131016-40930	7 - 18
125337-13930	13 - 9	125372-42030	16 - 20	131016-55830	7 - 18
125337-13930	14 - 9	125376-05360	14 - 31	131051-52430	7 - 19
125338-13930	13 - 6	125376-13120	15 - 31	131205-07320	7 - 15
125338-13930	14 - 6	125376-13120	16 - 31	131300-40630	7 - 9
125338-13930	15 - 6	125376-42030	13 - 30	131300-40630	7 - 9
125338-13930	16 - 6	125376-49030	15 - 31	131300-56430	7 - 9
125338-13930	17 - 7-6	125378-13930	13 - 29	131312-39130	7 - 11
125338-15130	14 - 6	125378-13930	14 - 30	131312-44330	7 - 11
125339-42030	13 - 5	125378-13930	15 - 30	131312-44330	7 - 11
125339-42030	14 - 5	125381-08660	14 - 26	132010-06460	7 - 16
125339-42030	15 - 5	125381-08660	15 - 26	132010-07530	7 - 12
125339-42030	16 - 5	125381-08660	16 - 26	132013-09820	7 - 14
125340-11520	13 - 4	125381-46730	14 - 26	132115-46730	7 - 13
125340-34530	14 - 4	125381-46730	15 - 26	132717-06460	7 - 16
125340-51030	15 - 4	125383-05360	14 - 2	145510-42031	5 - 30
125340-51030	16 - 4	125383-13310	15 - 24	145802-05360	5 - 28
125340-51030	17 - 7-4	129011-05060	5 - 16	145802-05361	5 - 28
125340-51030	17 - 7-4	129011-06360	5 - 16	145802-05361	6 - 28
125341-34530	14 - 3	129011-52730	5 - 16	145862-40630	5 - 31
125341-42030	13 - 3	129011-52730	6 - 16	145863-06560	5 - 34
125341-42030	15 - 3	130010-42030	5 - 5	145863-42030	5 - 34
125341-49030	15 - 3	130010-42031	5 - 5	145866-42031	5 - 32
125341-49030	16 - 3	130010-42032	5 - 5	145866-42031	6 - 32
125341-49030	17 - 7-3	130010-42032	6 - 5	145871-05360	5 - 29
125341-49030	17 - 7-3	130016-42031	5 - 9	145871-05360	6 - 29
125342-13210	13 - 2	130016-42031	6 - 9	145876-42030	5 - 33
125342-13210	15 - 2	130017-42031	5 - 7	145876-42030	6 - 33

Index

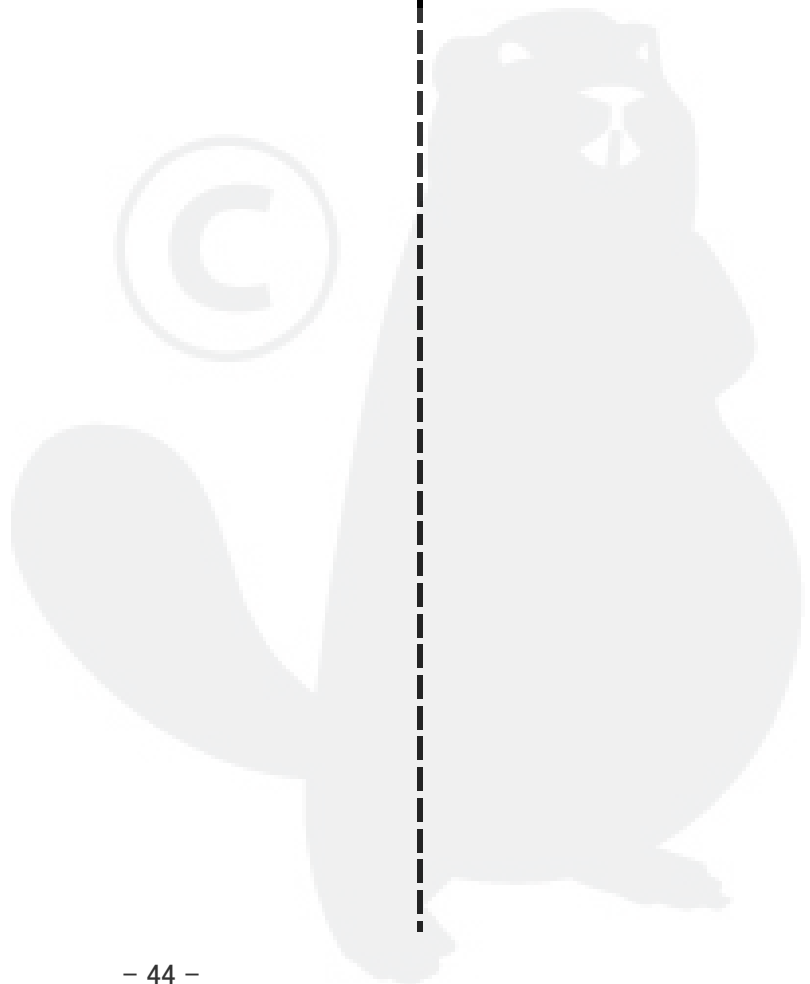
Patrs Number	Key No.	Patrs Number	Key No.	Patrs Number	Key No.
150626-11521	3 - 25	177200-05363	4 - 7	610330-04560	10 - 27
150801-44330	3 - 23	177200-06561	3 - 7	610330-04560	11 - 27
156110-04920	3 - 31	177200-06562	3 - 7	610330-04561	11 - 27
156110-04920	4 - 31	177200-06563	3 - 7	610350-04560	10 - 29
156114-04920	3 - 27	177200-12220	3 - 7	610350-04560	11 - 29
156114-04920	4 - 27	177202-42030	3 - 18	610403-05360	10 -
156601-52130	3 - 25	177202-44330	3 - 18	610403-06960	11 -
156626-05360	3 - 25	177202-44331	3 - 18	610403-06961	11 -
156626-11520	3 - 25	177202-44331	4 - 18	610403-06962	11 -
156626-11820	3 - 25	177215-42030	3 - 10	610403-06963	11 -
156801-05360	3 - 23	177215-44430	3 - 10	610403-06964	11 -
156801-05360	4 - 23	177215-44430	4 - 10	610407-05360	10 - 15
156801-44330	3 - 23	177218-44330	3 - 19	610407-05360	11 - 15
159010-13930	3 - 28	177218-44330	4 - 19	610407-05361	11 - 15
159011-03432	3 - 29	177220-42030	3 - 9	610407-06560	12 - 3
159011-03432	4 - 29	177220-42030	4 - 9	610410-06560	12 - 3
159012-01620	3 - 30	177226-05530	3 - 13	610411-05361	10 - 24
159012-03433	3 - 30	177226-05530	4 - 13	610411-05361	11 - 24
159012-03433	4 - 30	177227-42030	3 - 14	610411-06560	12 - 17
159017-12330	3 - 28	177227-42030	4 - 14	610414-05360	10 - 25
159017-12330	4 - 28	177228-06530	3 - 15	610414-05360	11 - 25
162010-05360	8 - 13	177228-06530	3 - 15	610414-06560	12 - 16
162010-05360	9 - 13	177228-06530	4 - 15	610425-04560	10 - 26
162014-05360	8 - 14	177228-11120	3 - 15	610425-04560	11 - 26
162014-05360	9 - 14	177234-42030	3 - 20	610426-06560	12 - 19
162021-52830	3 - 26	177234-42030	4 - 20	610440-04560	10 - 30
162021-52830	4 - 26	177236-44330	3 - 12	610440-04560	11 - 30
163400-03460	8 - 15	177236-44330	4 - 12	689025-05360	12 - 14
163400-03460	9 - 15	178001-05360	8 - 16	689025-06560	12 - 15
175000-06531	3 - 42	178001-05360	9 - 16	697010-05360	10 - 19
175000-06560	3 - 42	178010-06560	8 - 18	697010-06560	12 - 13
175000-06560	4 - 42	178010-06560	9 - 18	697010-06960	11 - 19
175005-04560	10 - 5	178043-15130	8 - 24	699110-05360	10 - 18
175005-04560	11 - 5	178043-15130	9 - 24	699110-06960	11 - 18
175005-06560	12 - 4	178090-06560	8 - 23	699115-04560	10 - 21
175009-05131	3 - 44	178090-06560	9 - 23	699115-04660	11 - 21
175009-05131	4 - 44	210417-52730	5 - 20	699115-04660	12 - 22
175014-05360	3 - 40	210417-52730	6 - 20	699115-05360	10 - 22
175014-05360	4 - 40	351100-06560	8 - 10	699115-05360	11 - 22
175016-04920	3 - 45	351100-06560	9 - 10	699115-06560	12 - 21
175016-04920	4 - 45	351610-05360	8 - 7	699117-06560	12 - 1
175017-04631	3 - 44	351610-05360	9 - 7	699118-04560	10 - 20
175018-05960	3 - 43	351611-05360	8 - 6	699118-04560	11 - 20
175018-05960	4 - 43	351611-05360	9 - 6	699118-04560	12 - 20
175018-06530	3 - 43	433022-06460	11 - 17	699125-05360	12 - 28
175019-04920	3 - 41	433022-06460	12 - 2	699125-06560	11 - 33
175019-04920	4 - 41	610312-04560	10 - 28	880110-06560	12 - 9
175055-05360	3 - 47	610312-04560	11 - 28	880110-10860	11 - 16
175055-05360	4 - 47	610312-06560	12 - 12	880110-54230	12 - 9

Index

Patrs Number	Key No.	Patrs Number	Key No.	Patrs Number	Key No.
890115-06560	3 - 32	900212-05030	11 - 32	900702-00035	11 - 6
890115-06561	3 - 6	900212-05030	12 - 11	900702-00035	12 - 5
890115-06562	3 - 6	900212-06025	10 - 31	900810-36201	1 - 7
890115-06562	4 - 6	900212-06025	11 - 31	900810-36202	10 - 8
890118-49130	3 - 6	900212-06030	12 - 10	900810-36202	11 - 8
890121-05360	5 - 21	900220-05047	8 - 19	900813-36202	10 - 7
890121-05360	6 - 21	900220-05050	8 - 19	900813-36202	11 - 7
890121-06360	5 - 21	900238-04016	3 - 5	900870-36202	12 - 7
890157-06560	8 - 8	900238-05016	7 - 6	900872-36202	12 - 6
890157-06560	9 - 8	900238-05020	5 - 8	94035-36201	1 - 7
890310-06961	3 - 32	900238-05020	6 - 8	94035-36201	2 - 7
890617-07660	3 - 32	900238-05028	1 - 6	A101-000000	1 - 17
890617-07660	4 - 32	900242-04010	5 - 35	A101-000000	2 - 17
890617-12620	3 - 32	900242-04010	6 - 35	A259-000030	15 - 37
895112-00330	10 - 41	900242-04020	1 - 26	A259-000030	16 - 37
895112-00330	11 - 41	900242-04022	3 - 24	A313-000010	5 - 34
895112-00330	12 - 24	900242-05050	9 - 19	A313-000010	6 - 34
895410-00430	10 - 40	900242-05064	5 - 17	A350-000270	7 - 5
895410-00430	11 - 40	900242-05065	5 - 17	A350-000271	7 - 5
895410-00430	12 - 25	900242-05065	6 - 17	A350-000272	7 - 5
898510-39130	10 - 42	900255-04016	8 - 20	A356-000030	7 - 9
898510-39130	11 - 43	900255-04016	9 - 20	A411-000080	3 - 25
898510-39130	12 - 26	900342-50025	8 - 22	A411-000080	4 - 25
898523-06960	10 - 43	900342-50025	9 - 22	C532-000120	11 - 27
898523-06960	11 - 42	900500-00005	5 - 6	P005-000590	15 - 24
898523-06960	12 - 29	900500-00005	6 - 6	P005-000590	16 - 24
900105-05050	5 - 36	900500-00006	10 - 44	P005-002020	16 - 36
900105-05050	6 - 36	900500-00006	11 - 34	P021-001111	1 - 11
900162-04010	10 - 23	900500-00006	12 - 23	P021-001112	1 - 11
900162-04010	11 - 23	900502-00006	8 - 17	P021-001113	1 - 11
900162-04012	12 - 18	900502-00006	9 - 17	P021-001113	2 - 11
900162-04016	3 - 5	900528-00005	5 - 20	P021-002921	5 - 14
900162-04016	3 - 48	900560-00005	8 - 12	P021-009370	11 -
900162-04016	4 - 5	900560-00005	9 - 12	P021-010350	6 - 14
900162-04016	4 - 48	900560-00006	10 - 17	V103-000111	5 - 9
900162-04020	1 - 26	900600-00005	5 - 37	V104-000160	5 - 30
900162-04020	2 - 26	900600-00005	6 - 37	V104-000160	6 - 30
900162-04022	3 - 24	900600-00005	8 - 11	V306-000150	1 - 18
900162-04022	4 - 24	900600-00005	9 - 11	V306-000150	2 - 18
900162-05020	10 - 16	900600-00006	8 - 25	V470-000580	7 - 12
900162-05020	11 - 35	900600-00006	9 - 25	V471-001200	7 - 11
900162-05020	12 - 30	900602-00005	8 - 11	V475-001900	3 - 33
900162-05022	1 - 20	900603-00005	7 - 8	V475-001900	4 - 33
900162-05022	2 - 20	900605-00008	3 - 17	V650-000080	12 - 12
900162-05028	1 - 6	900605-00008	4 - 17	X411-000020	12 - 13
900162-05028	2 - 6	900701-00014	10 - 9	X411-000050	11 - 19
900163-04016	3 - 5	900701-00014	11 - 9	X411-000270	12 - 13
900163-04016	3 - 48	900701-00014	12 - 8	X411-000280	11 - 19
900212-05030	10 - 32	900702-00035	10 - 6	X425-000010	12 - 1

Index

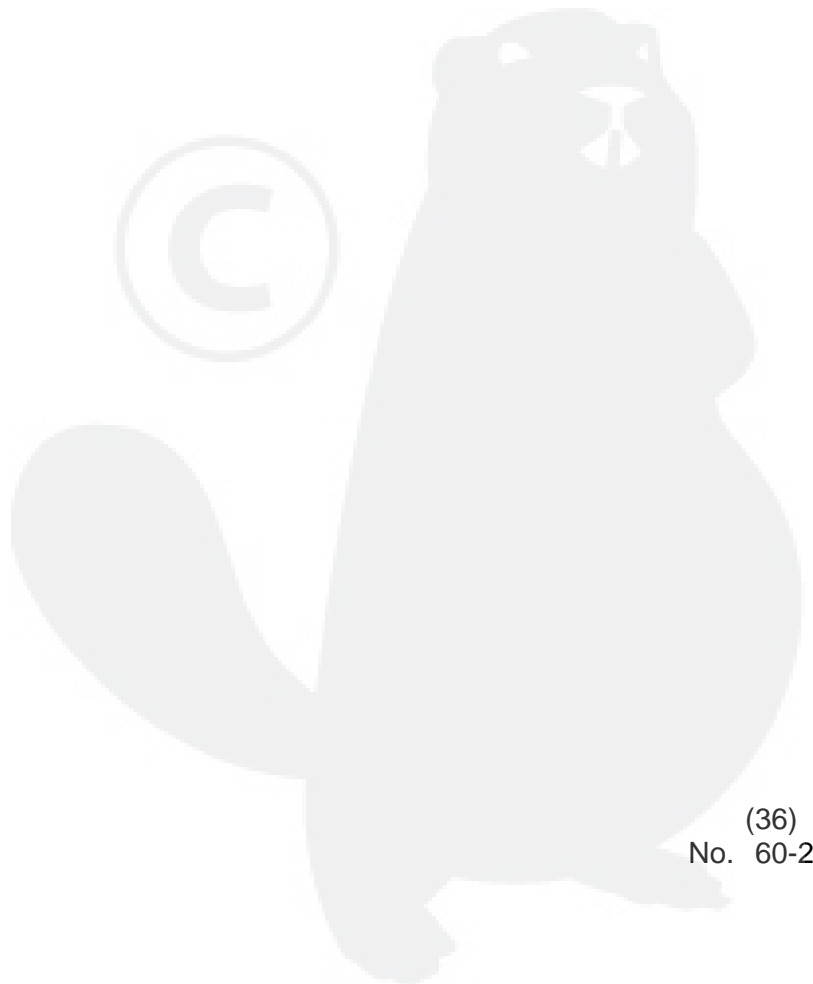
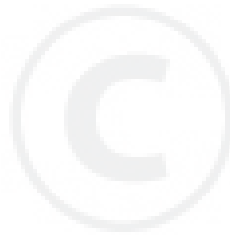
Patrs Number	Key No.	Patrs Number	Key No.	Patrs Number	Key No.
X431-000000	12 - 28				
X495-000051	10 - 43				
X495-000051	11 - 42				
X495-000051	12 - 29				
X502-000260	8 - 26				
X502-000260	9 - 26				
X502-000330	4 - 6				
X502-000430	9 - 26				
X543-000920	4 - 32				



YAMABIKO CORPORATION

7-2 SUEHIROCHO 1-CHOME, OHME, TOKYO 198-8760, JAPAN
PHONE: 81-428-32-6118. FAX: 81-428-32-6145.

ECHO®



(36)
No. 60-222