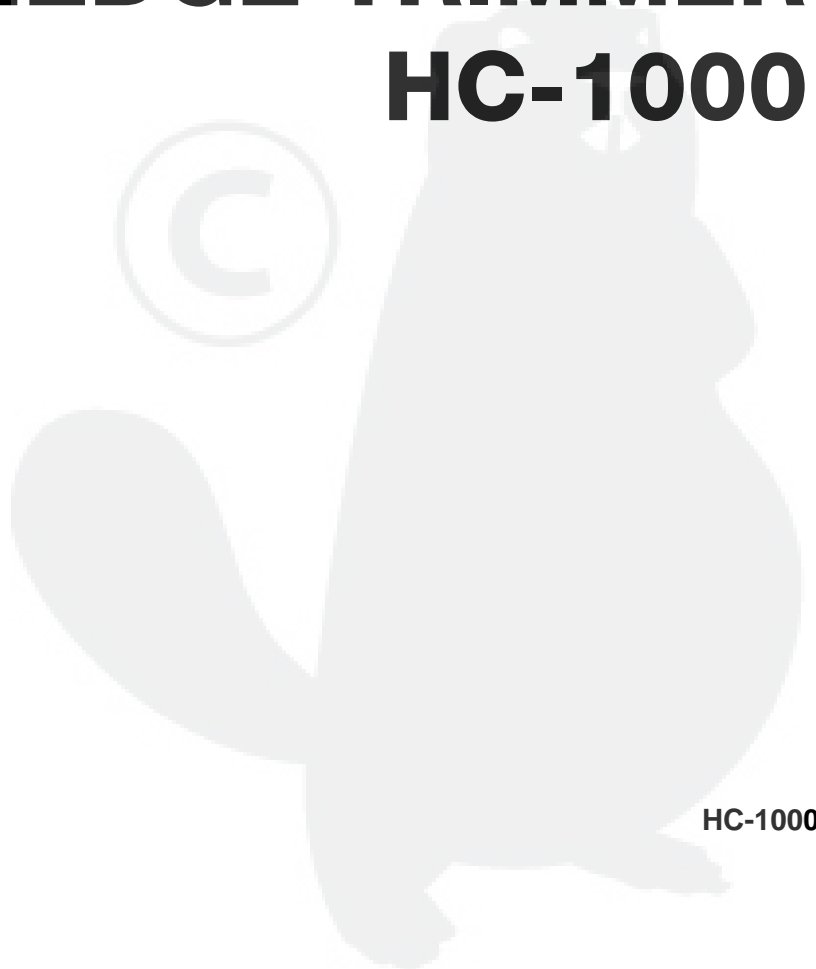
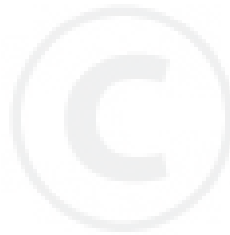




PARTS CATALOG

HEDGE TRIMMER

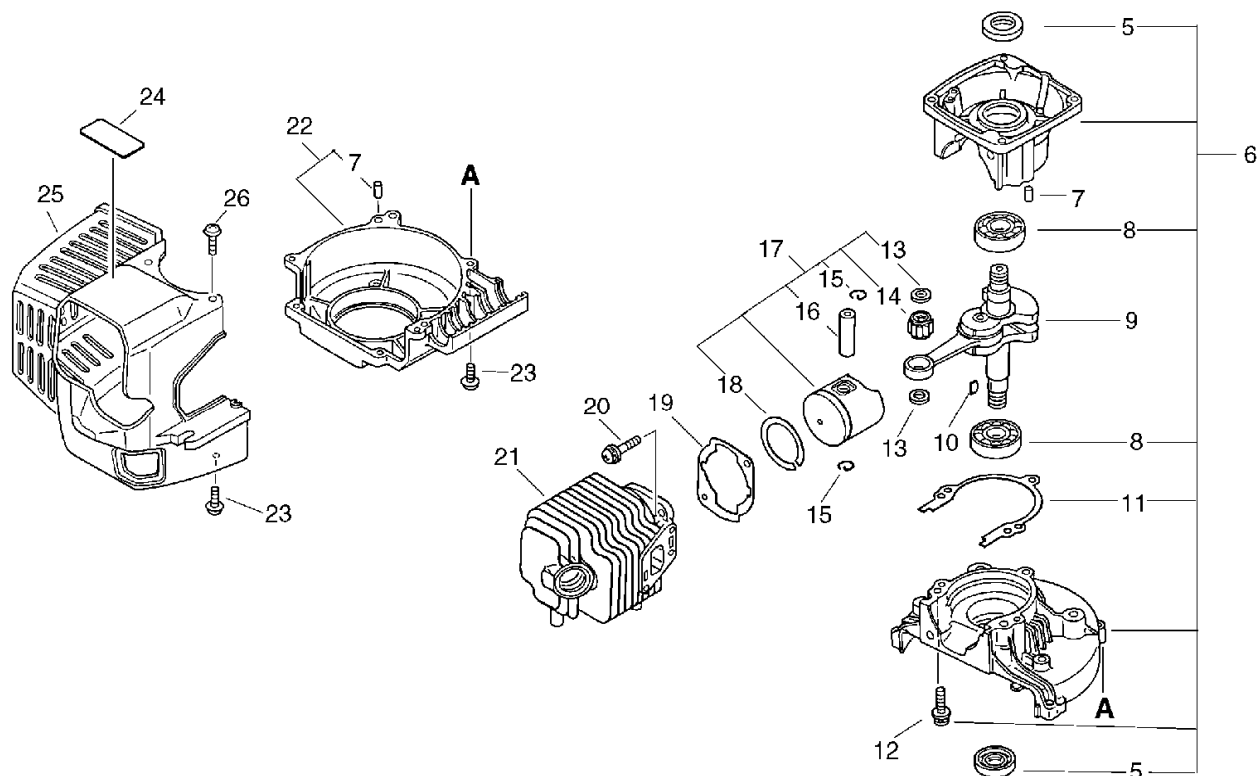
HC-1000



HC-1000

1. Cylinder, Crankcase, Piston

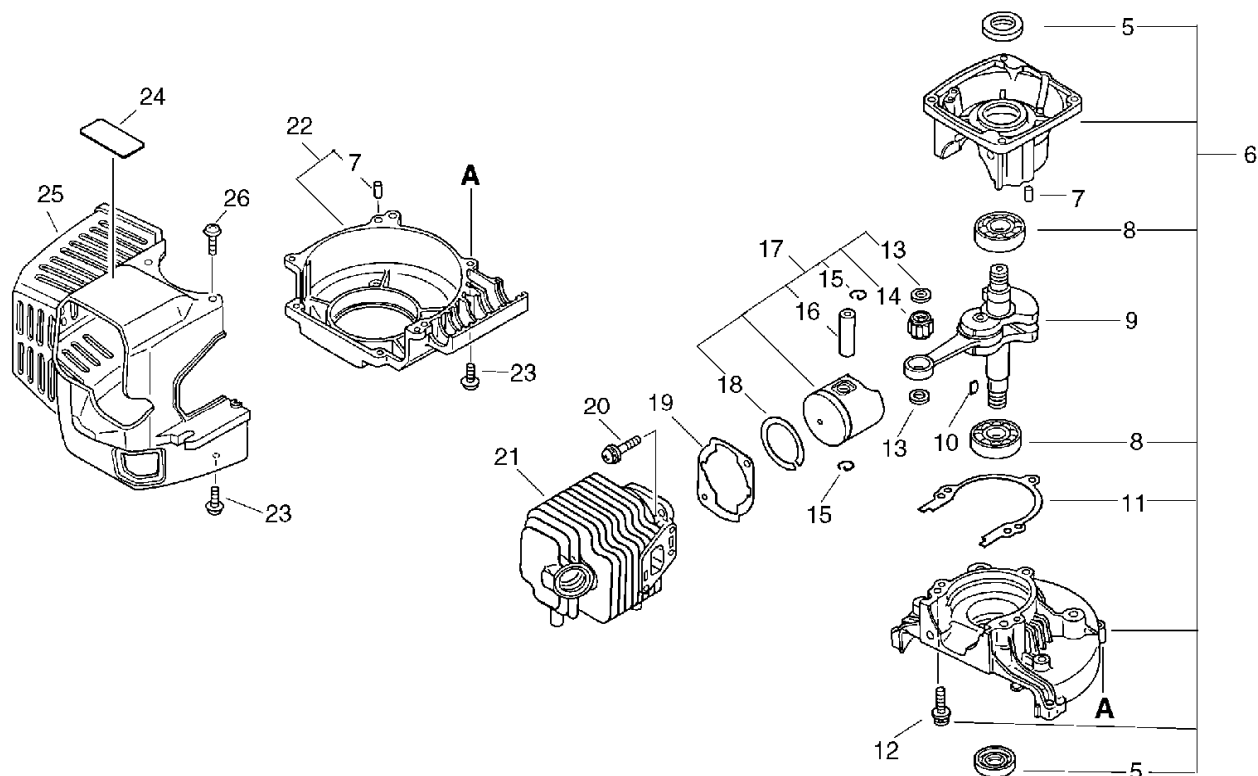
No.1



KEY	LV	PART NUMBER	Q'TY	DESCRIPTION	REMARKS	NOTE1	NOTE2
6		100200-42030	1	CRANKCASE SET		Sus. by 100204-51031	
6		100204-51030	1	CRANKCASE KIT		Sus. by 100204-51031	
6		100204-51031	1	CRANKCASE KIT			
5	+	100212-42030	2	OILSEAL	ISCD12*22*4.5	Sus. by 100212-42031	
5	+	100212-42031	2	OILSEAL	ISCD 12*22*4.5		
7	+	100215-03930	2	PIN, DOWEL			
8	+	900810-36201	2	BEARING, BALL 6201	6201/C3	Sus. by 94035-36201	
8	+	94035-36201	2	BEARING BALL	6201X3JR2C3		
11	+	100242-42030	1	GASKET, CRANKCASE			
12	+	900242-05028	3	SCREW 5*28	5*28	Sus. by 900162-05028	
12	+	900162-05028	3	BOLT, H.S. 5*28	5*28 W,SW		
9		100100-42030	1	CRANKSHAFT ASSY			
10		100142-42030	1	KEY, WOODRUFF		Sus. by 100142-39130	
10		100142-39130	1	KEY, WOODRUFF			
17		100000-40630	1	PISTON KIT			
13	+	100014-42030	2	SPACER, PISTON PIN			
14	+	100012-08020	1	BEARING, NEEDLE	8*12*9.8		
15	+	100015-04630	2	CIRCLIP, PISTON PIN			
16	+	100013-22330	1	PIN, PISTON			

1. Cylinder, Crankcase, Piston

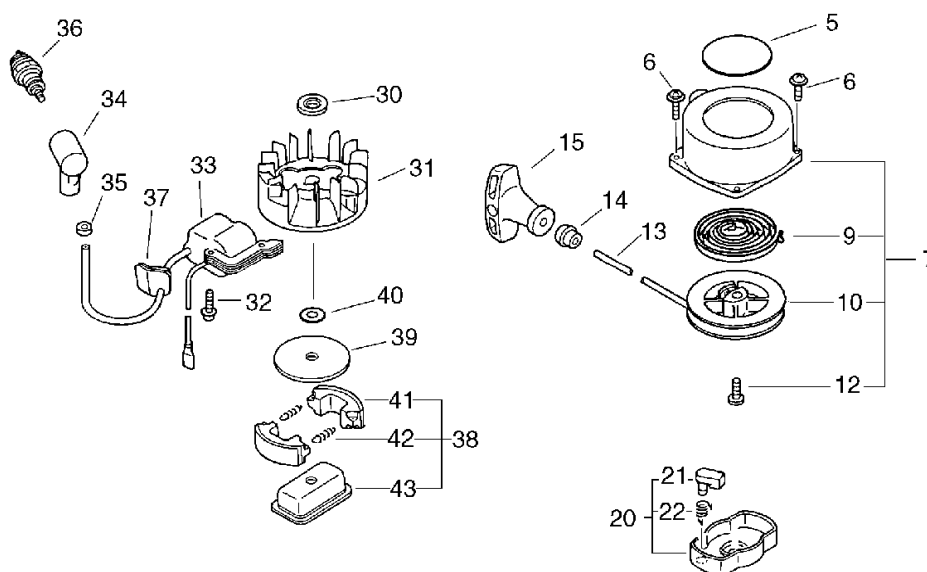
No.1



KEY	LV	PART NUMBER	Q'TY	DESCRIPTION	REMARKS	NOTE1	NOTE2
18	+	100011-05330	1	RING, PISTON			
19		101010-42030	1	GASKET, CYL. BASE		Sus. by 101010-44332	
19		101010-44330	1	GASKET, CYL. BASE		Sus. by 101010-44332	
19		101010-44331	1	GASKET, CYL. BASE		Sus. by 101010-44332	
19		101010-44332	1	GASKET, CYL. BASE			
20		900162-05022	2	BOLT, H.S. 5*22	5*22 W,SW		
21		101011-42030	1	CYLINDER		Sus. by 101011-48730	
21		101011-47630	1	CYLINDER		Sus. by 101011-48730	
21		101011-48730	1	CYLINDER			
22		101511-04560	1	COVER, FAN			
7	+	100215-03930	2	PIN, DOWEL			
23		900242-04014	6	SCREW 4*14	4*14		
24		890310-04560	1	LABEL, MODEL			
25		101576-04562	1	COVER, CYLINDER BS			
26		900242-04020	2	SCREW 4*20	4*20		

2. Starter, Magneto, Clutch

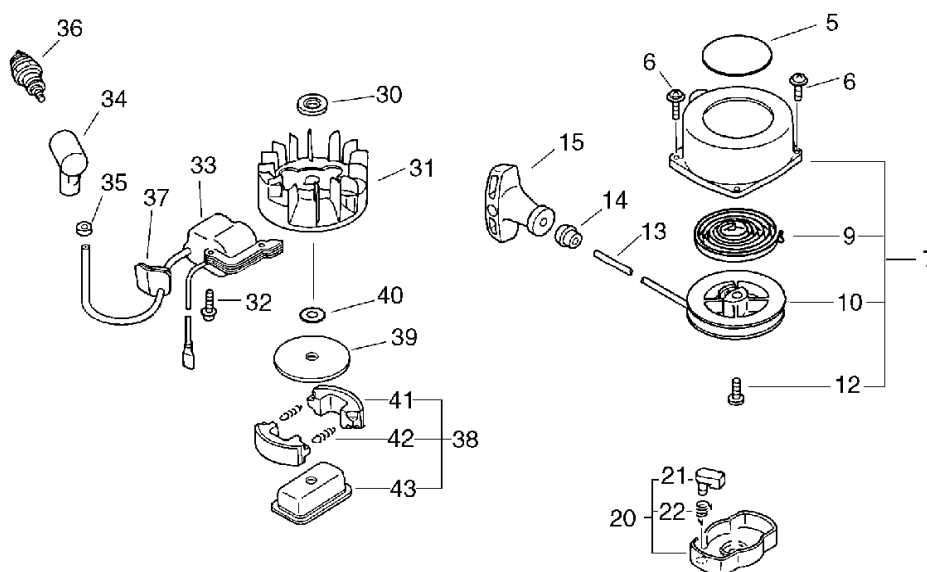
No.2



KEY	LV	PART NUMBER	Q'TY	DESCRIPTION	REMARKS	NOTE1	NOTE2
5		890312-04561	1	LABEL, BRAND			
6		900242-04014	2	SCREW 4*14	4*14		
7		177200-42030	1	STARTER ASSY		Sus. by 177200-42033	
7		177200-42031	1	STARTER ASSY		Sus. by 177200-42033	
7		177200-42032	1	STARTER ASSY		Sus. by 177200-42033	
7		177200-42033	1	STARTER ASSY			
9	+	177220-42030	1	SPRING, REWIND			
10	+	177215-42030	1	DRUM, STARTER		Sus. by 177215-44430	
10	+	177215-44430	1	DRUM, STARTER			
12	+	177236-44330	1	SCREW			
13	+	177226-10120	1	ROPE, STARTER	3.0*1000		
14	+	177227-42030	1	GUIDE, ROPE			
15	+	177228-06530	1	GRIP, STARTER			
20		177202-42030	1	PAWL ASSY, STARTER		Sus. by 177202-44331	
20		177202-44330	1	PAWL ASSY, STARTER		Sus. by 177202-44331	
20		177202-44331	1	PAWL ASM., STARTER			
21	+	177218-44330	1	PAWL, STARTER	BLACK		
22	+	177234-42030	1	SPRING, RETURN		Sus. by 177234-12220	
22	+	177234-12220	1	SPRING, PAWL			

2. Starter, Magneto, Clutch

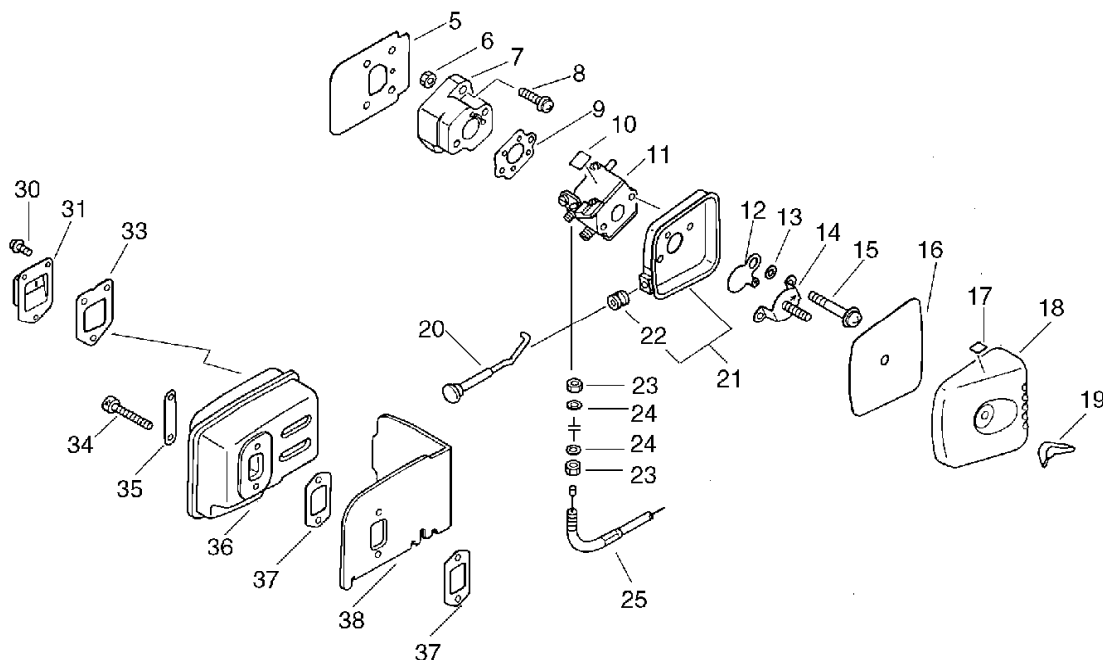
No.2



KEY	LV	PART NUMBER	Q'TY	DESCRIPTION	REMARKS	NOTE1	NOTE2
30		100143-42030	1	WASHER	10*22*3		
31		150801-42030	1	FLYWHEEL			
32		900242-04022	2	SCREW 4*22	4*22		
33		150601-04560	1	C.D. IGNITION MODULE			
34		159012-10230	1	CAP, SPARK PLUG			
35		159016-05330	1	ADAPTER, PLUG CAP			
36		159010-10130	1	PLUG, SPARK (BMR-6A)	BMR-6A		
37		150112-42030	1	BUSHING			
39		175019-04920	1	PLATE, CLUTCH			
40		100132-06720	1	WASHER 8.5*18*2	8.5*18*2		
38		175000-06531	1	CLUTCH ASSY		Sus. by 175000-06560	
38		175000-06560	1	CLUTCH ASSY			
41	+	175017-04630	2	SHOE, CLUTCH		Sus. by 175009-05131	
41	+	175017-04631	2	SHOE, CLUTCH		Sus. by 175009-05131	
41	+	175009-05131	2	SHOE, CLUTCH			
42	+	175018-06530	2	SPRING, CLUTCH		Sus. by 175018-05960	
42	+	175018-05960	2	SPRING, CLUTCH			
43	+	175016-04920	1	HUB, CLUTCH			

3. Air Cleaner, Muffler

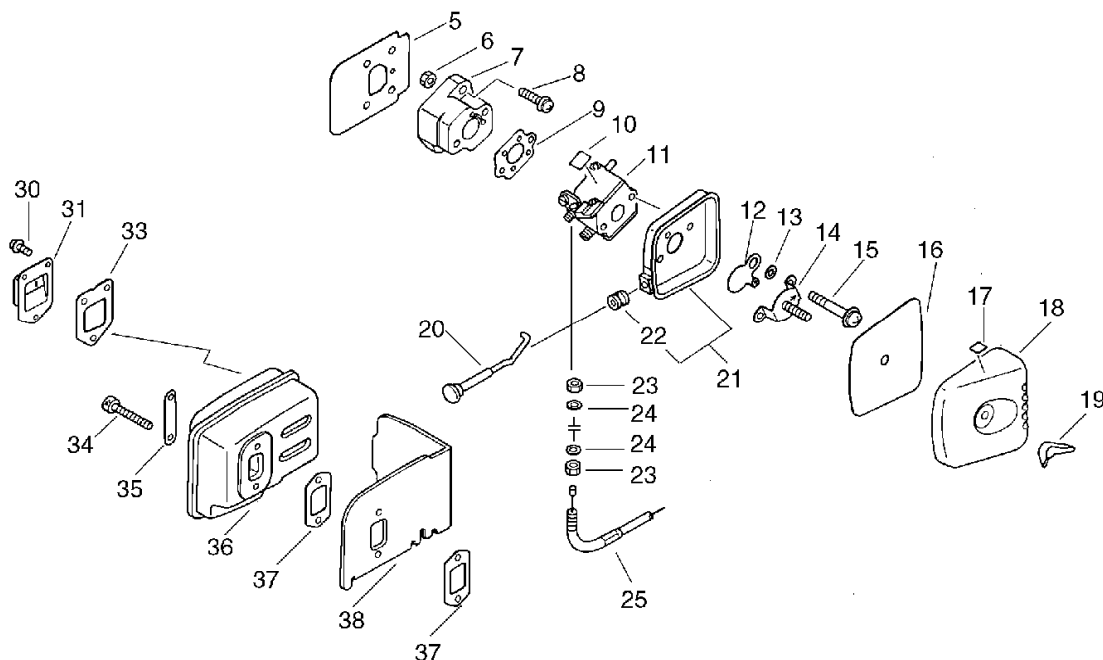
No.3



KEY	LV	PART NUMBER	Q'TY	DESCRIPTION	REMARKS	NOTE1	NOTE2
5		130010-42030	1	GASKET, INSULATOR		Sus. by 130010-42032	
5		130010-42031	1	GASKET		Sus. by 130010-42032	
5		130010-42032	1	GASKET,INTAKE			
6		900500-00005	2	NUT 5	5		
7		130017-42030	1	INSULATOR, INTAKE		Sus. by 130017-42031	
7		130017-42031	1	INSULATOR, INTAKE			
8		900242-05020	2	SCREW 5*20	5*20		
9		130016-42030	1	GASKET, INTAKE		Sus. by 130016-42031	
9		130016-42031	1	GASKET, INTAKE			
10		890324-04160	1	LABEL, IDEL			
11		125200-04560	1	CARBURETOR ASSY	C1U-K7A	Sus. by 125200-04563	
11		125200-04561	1	CARBURETOR ASSY	C1U-K7A	Sus. by 125200-04563	
11		125200-04562	1	CARBURETOR	C1U-K7A	Sus. by 125200-04563	
11		125200-04563	1	CARBURETOR C1U-K7A	C1U-K7A		
12		178515-04560	1	SHUTTER, CHOKE			
13		178516-00830	1	SPACER	5.2*8*0.8T		
14		130405-04560	1	PLATE, PREVENT			
15		900242-05057	2	SCREW 5*57	5*57		
16		130310-04560	1	FILTER, AIR			

3. Air Cleaner, Muffler

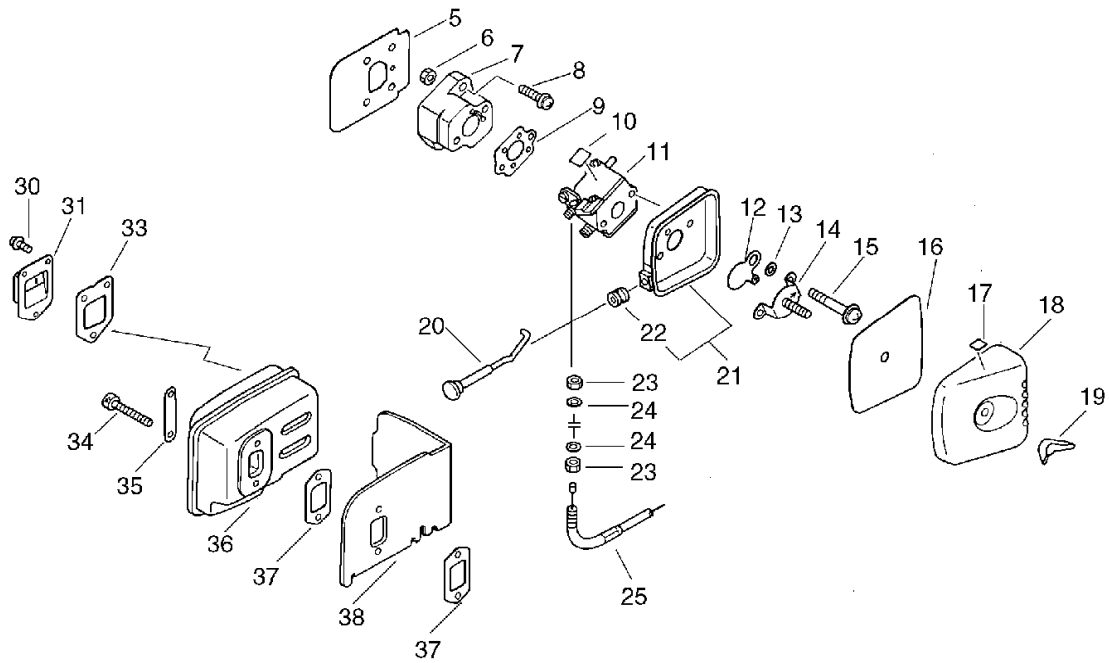
No.3



KEY	LV	PART NUMBER	Q'TY	DESCRIPTION	REMARKS	NOTE1	NOTE2
17		890121-21430	1	LABEL, CHOKE			
18		130313-04561	1	COVER, AIR CLEANER			
19		130415-04560	1	NUT, WING		Sus. by 900528-00005	
19		900528-00005	1	NUT	5		
20		178510-04560	1	ROD, CHOKE			
21		130301-04560	1	CASE, AIR CLEANER			
22	+	178810-05230	1	GROMMET			
23		900502-00006	2	NUT 6 (3N)	3N6		
24		900603-00006	2	WASHER 6	6.5*13*1		
25		178001-04560	1	WIRE, THROTTLE			
30		900242-04010	3	SCREW 4*10	4*10		
31		145809-04560	1	LID, MUFFLER		Sus. by 145809-04561	
31		145809-04561	1	LID, MUFFLER			
33		145866-42030	1	GASKET, MUFFLER LID		Sus. by 145866-42031	
33		145866-42031	1	GASKET, MUFFLER LID			
34		900105-05055	2	BOLT, H.S. 5*55	5*55		
35		145642-04930	1	WASHER			
36		145806-42030	1	MUFFLER			
37		145510-42031	2	GASKET, MUFFLER		Sus. by V104-000160	
37		V104-000160	2	GASKET, EXHAUST			
38		145631-42030	1	COVER, MUFFLER		Sus. by A320-000251	

3. Air Cleaner, Muffler

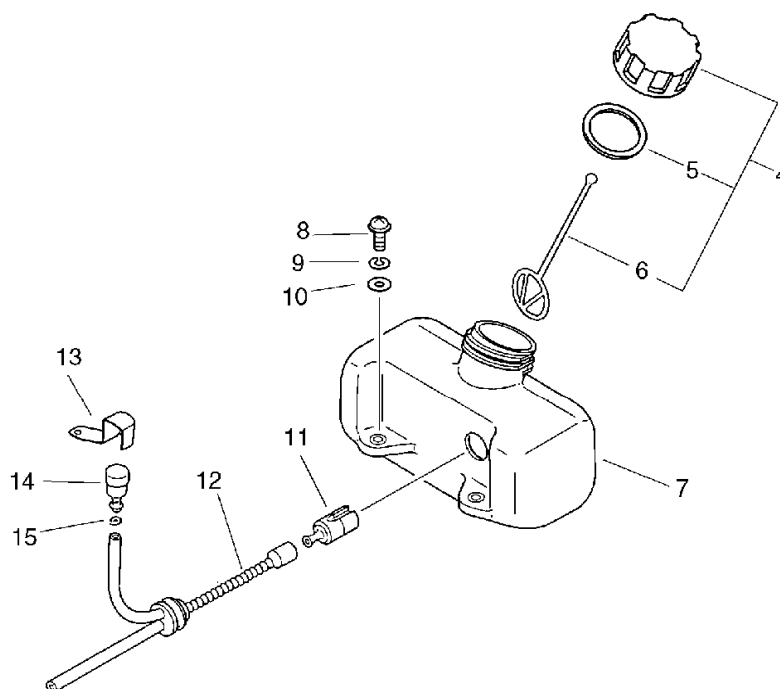
No.3



KEY	LV	PART NUMBER	Q'TY	DESCRIPTION	REMARKS	NOTE1	NOTE2
38		A320-000250	1	COVER,MUFFLER			
38		A320-000251	1	COVER,MUFFLER		Sus. by A320-000251	

4. Fuel Tank

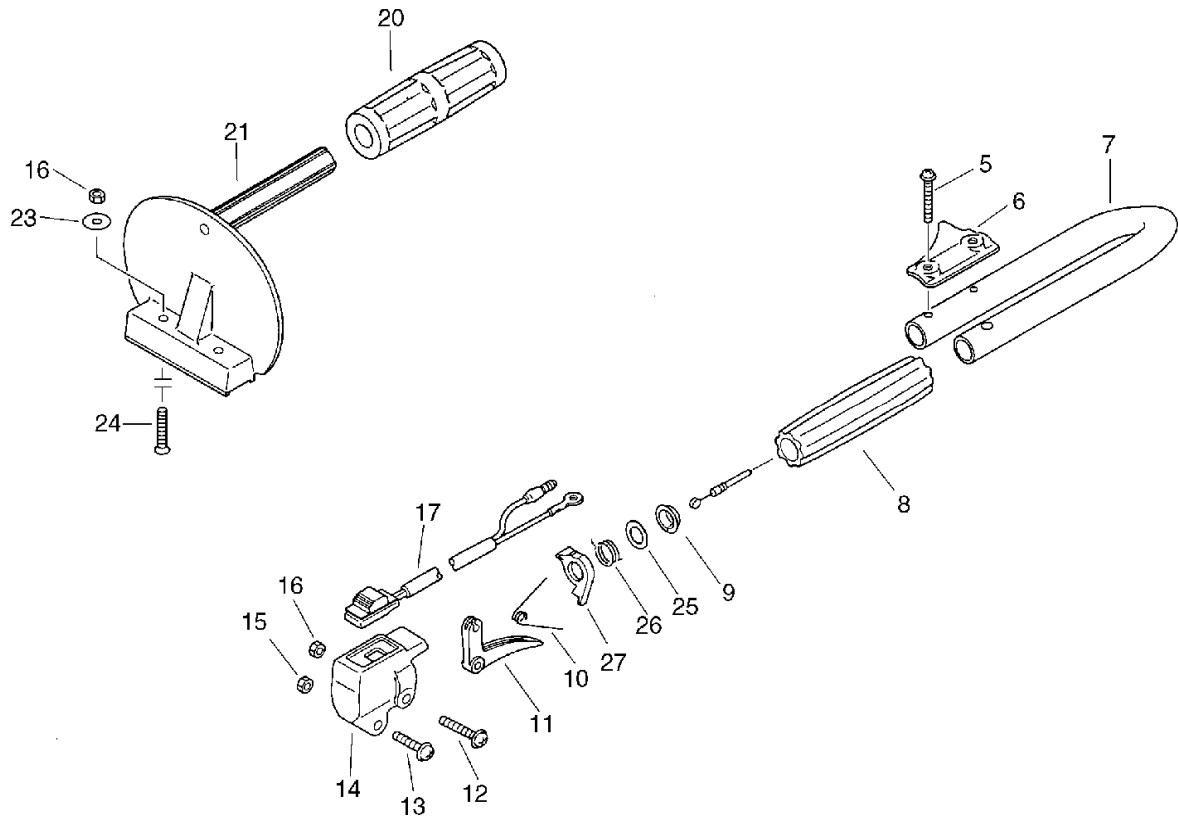
No.4



KEY	LV	PART NUMBER	Q'TY	DESCRIPTION	REMARKS	NOTE1	NOTE2
4		131004-52430	1	CAP ASSY, FUEL TANK		Sus. by 131004-55630	
4		131004-55630	1	CAP ASSY, FUEL TANK			
5	+	131016-40930	1	GASKET, FUEL CAP		Can be used on the 131004-52430 only	
5	+	131016-55830	1	GASKET, FUEL CAP		Can be used on the 131004-55630 only	
6	+	131051-52430	1	CONNECTOR, CAP	80L		
7		131005-04560	1	TANK, FUEL		Sus. by 131005-04561	
7		131005-04561	1	TANK, FUEL			
8		900220-05016	2	SCREW 5*16	5*16		
9		900605-00005	2	WASHER, SPRING 5	5		
10		900603-00005	2	WASHER 5	5.5*12*0.8		
11		131205-07320	1	STRAINER, FUEL			
12		132010-42030	1	PIPE, FUEL			
13		131323-04560	1	HOLDER, VENT			
14		131300-40630	1	VALVE, CHECK		Sus. by 131300-56430	
14		131300-56430	1	VALVE, CHECK			
15		130111-00530	1	CLIP	5.5		

5. Handle

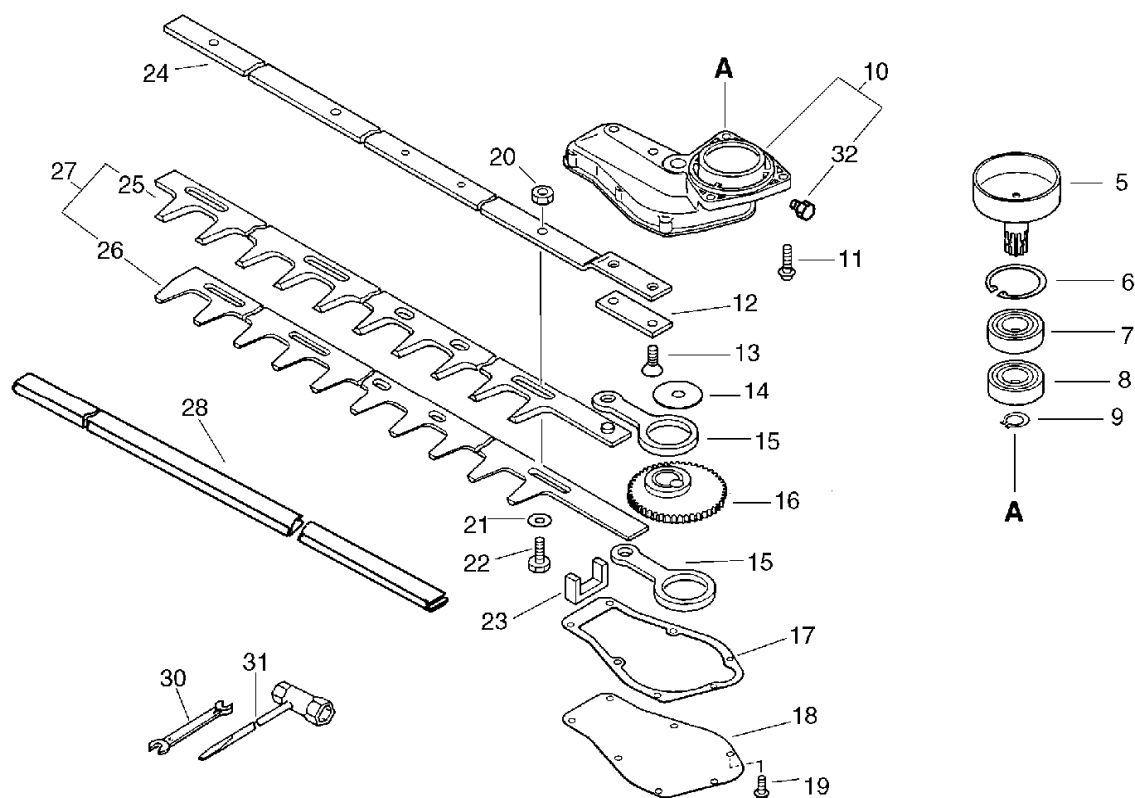
No.5



KEY	LV	PART NUMBER	Q'TY	DESCRIPTION	REMARKS	NOTE1	NOTE2
25		178070-02060	1	SPACER		Sus. by 178070-02061	
25		178070-02061	2	SPACER	19.5*34*0.5		
26		178013-05160	1	SPRING, THR. LOCK			
27		178012-05160	1	LOCKOUT, THROTTLE			

6. Gear Case, Cutter, Tools

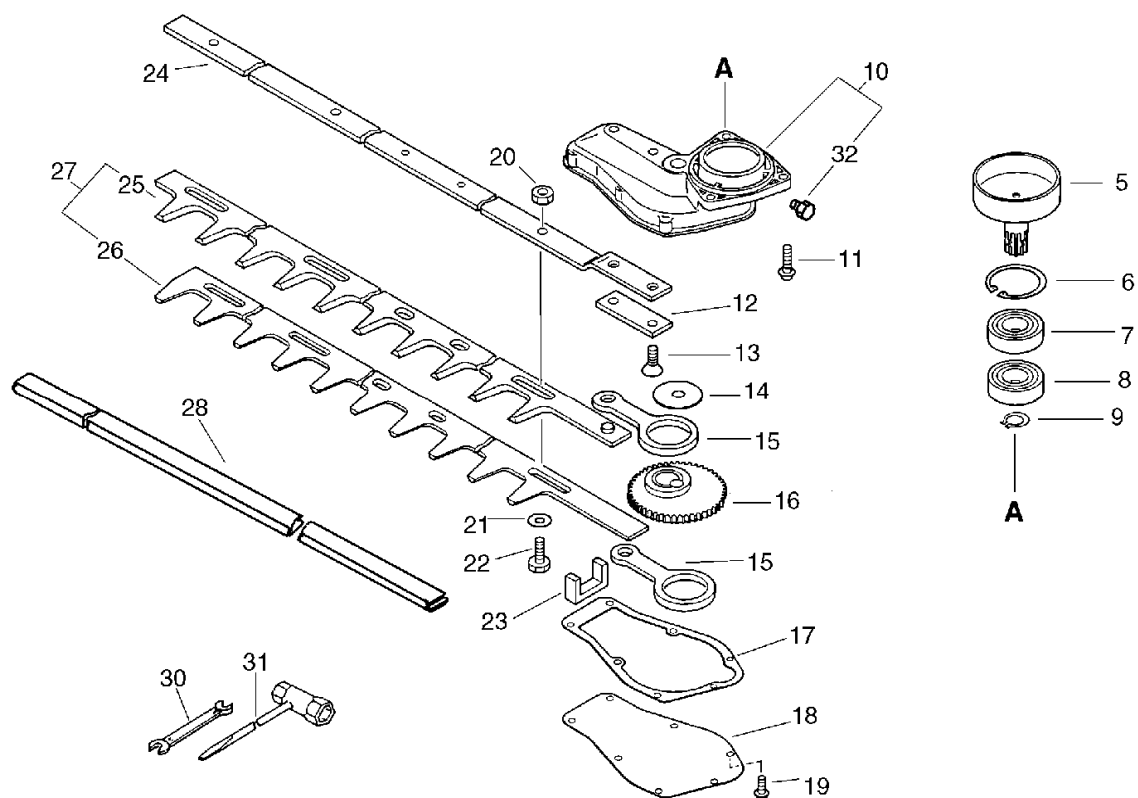
No.6



KEY	LV	PART NUMBER	Q'TY	DESCRIPTION	REMARKS	NOTE1	NOTE2
5		175005-04560	1	DRUM, CLUTCH			
6		900702-00035	1	CIRCLIP 35	CR-35		
7		900813-36202	1	BEARING, BALL 6202	6202Z/C3		
8		900810-36202	1	BEARING, BALL 6202	6202/C3	Sus. by 900819-06202	
8		900819-06202	2	BEARING, BALL 6202	6202VV(LLB)		
9		900701-00014	1	CIRCLIP 14	CS-14		
10		610407-04560	1	CASE, GEAR		Sus. by 610407-04561	
10		610407-04561	1	CASE, GEAR W/BOLT			
32	+	610434-50030	1	BOLT 8* 6		Sus. by 610434-50031	
32	+	610434-50031	1	BOLT 8* 8	M8*8	Can be used on the 610407-04561 only	
11		900242-05020	3	SCREW 5*20	5*20		
12		610440-04560	1	HOLDER, FRAME			
13		900212-06018	2	SCREW 6*18	+SF6*18		
14		610350-04560	1	WASHER			
15		610330-04560	2	ROD, CONNECTING		Sus. by C532-000120	
15		610330-04561	2	ROD, CONNECTING		Sus. by C532-000120	
15		C532-000120	2	ROD, CONNECTING			
16		610312-04560	1	GEAR			
17		610414-04560	1	GASKET, GEAR HOUSING			

6. Gear Case, Cutter, Tools

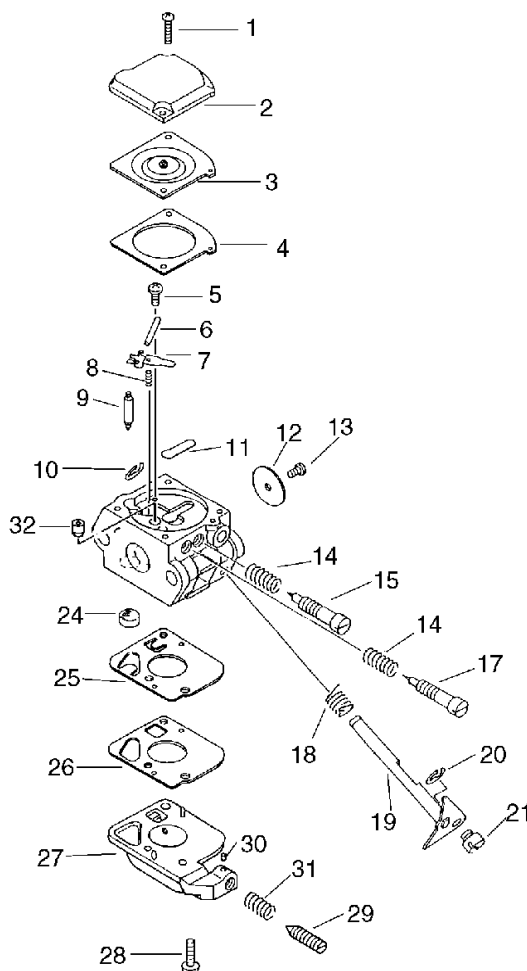
No.6



KEY	LV	PART NUMBER	Q'TY	DESCRIPTION	REMARKS	NOTE1	NOTE2
18		610411-04560	1	COVER, GEAR HOUS.			
19		900242-04010	7	SCREW 4*10	4*10		
20		145710-00230	3	LOCKNUT 6		Sus. by 900560-00006	
20		900560-00006	3	NUT, LOCK	6		
21		699118-04560	3	WASHER			
22		699115-04560	3	BOLT, CUTTER			
23		610425-04560	1	SEAL			
24		699110-04560	1	BAR, FRAME			
27		697000-04560	1	CUTTER SET		Sus. by 697000-04561	
27		697000-04561	1	CUTTER SET			
25	+	697010-04560	1	CUTTER (UPPER)		Sus. by 697010-04561	
25	+	697010-04561	2	CUTTER, (UPPER)			
26	+	697011-04560	1	CUTTER (LOWER)		Sus. by 697011-04561	
26	+	697011-04561	2	CUTTER (LOWER)			
28		898523-04561	1	COVER, CUTTER			
30		895112-00330	1	SPANNER 8*10			
31		895410-00430	1	WRENCH, W/S. DRIVER			

7. Carburetor

No.7

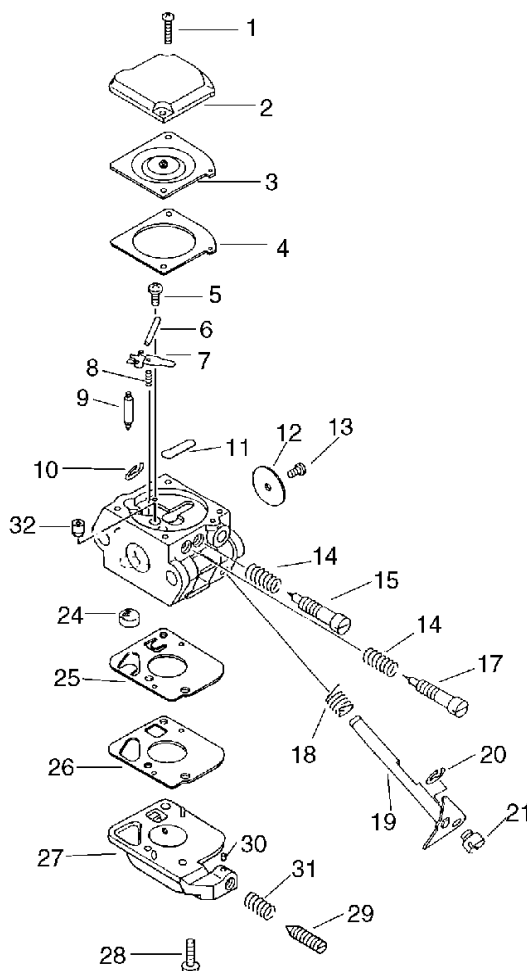


KEY	LV	PART NUMBER	Q'TY	DESCRIPTION	REMARKS	NOTE1	NOTE2
		125200-04560	1	CARBURETOR ASSY	C1U-K7A	Sus. by 125200-04563	
		125200-04561	1	CARBURETOR ASSY	C1U-K7A	Sus. by 125200-04563	
		125200-04562	1	CARBURETOR	C1U-K7A	Sus. by 125200-04563	
		125200-04563	1	CARBURETOR C1U-K7A	C1U-K7A		
1	+	125344-52130	2	SCREW			
2	+	125342-15130	1	COVER, DIAPHRAGM		Sus. by 125342-13210	
2	+	125342-52130	1	COVER, DIAPHRAGM		Sus. by 125342-13210	
2	+	125342-13210	1	COVER, DIAPHRAGM			
3	+	125341-42030	1	DIAPHRAGM			
4	+	125340-42030	1	GASKET, DIAPHRAGM			
5	+	125339-42030	1	SCREW			
6	+	125338-13930	1	PIN, METERING ARM			
7	+	125323-42030	1	LEVER, METERING			
8	+	125322-42030	1	SPRING, COIL			
9	+	125337-13930	1	VALVE, NEEDLE		Sus. by 125337-06960	
9	+	125337-06960	1	VALVE, INLET NEEDLE			
10	+	125327-15130	1	CLIP			
11	+	125345-15130	1	PLUG, WELCH			
12	+	125316-42030	1	VALVE, THROTTLE			
13	+	125314-13930	1	SCREW			

3*4

7. Carburetor

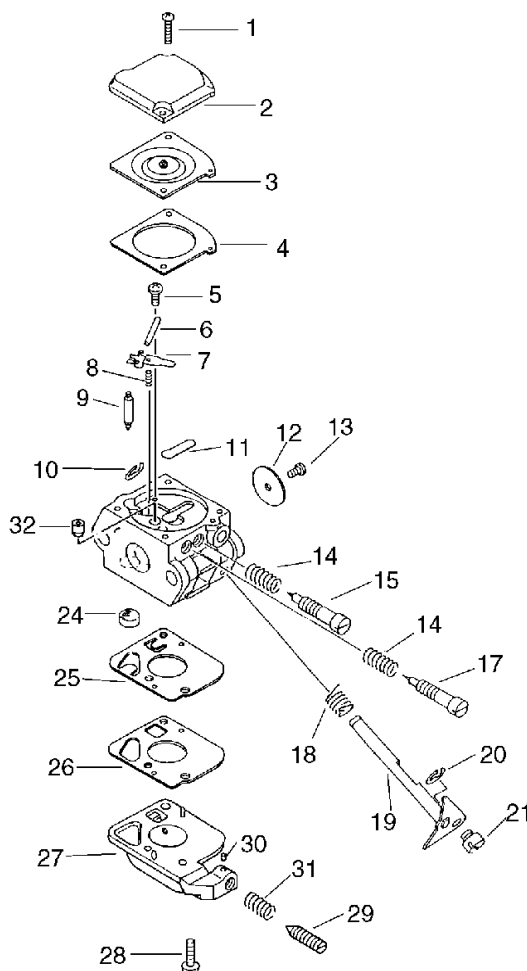
No.7



KEY	LV	PART NUMBER	Q'TY	DESCRIPTION	REMARKS	NOTE1	NOTE2
14	+	125319-42030	2	SPRING, COIL			
15	+	125318-42030	1	NEEDLE, IDLE			
17	+	125320-42030	1	NEEDLE, HIGH SPEED			
18	+	125313-42030	1	SPRING, THRT. RETURN			
19	+	125317-42030	1	SHAFT, THROTTLE			
20	+	125327-13930	1	CLIP			
21	+	125372-42030	1	SWIVEL			
24	+	125326-42030	1	STRAINER			
25	+	125312-42030	1	DIAPHRAGM, FUEL PUMP		Can be used on 125200-04560 and 125200-04561	
25	+	125312-12820	1	DIAPHRAGM, FUEL PUMP		Can be used on the 125200-04562 and -04563	
26	+	125325-42030	1	GASKET, FUEL PUMP		Sus. by 125325- 13310	
26	+	125325-13310	1	GASKET, PUMP			
27	+	125324-42030	1	COVER, PUMP		Can be used on 125200-04560 and 125200-04561	

7. Carburetor

No.7



KEY	LV	PART NUMBER	Q'TY	DESCRIPTION	REMARKS	NOTE1	NOTE2
						Can be used on the 125200-04562 and -04563	
27	+	125324-12820	1	COVER, PUMP			
28	+	125310-42030	2	SCREW			
29	+	125334-13930	1	SCREW, IDLE ADJUST		Can be used on 125200-04560 and 125200-04561	
29	+	125344-08560	1	SCREW		Can be used on the 125200-04562 and -04563	
30	+	125378-13930	1	PIECE, FRICTION		Can be used on 125200-04560 and 125200-04561	
31	+	125313-42030	1	SPRING, THRT. RETURN		Can be used on the 125200-04562 and -04563	
32	+	125376-42030	1	NOZZLE, CHECK VALVE		Sus. by P005-001010	
32	+	P005-001010	1	NOZZLE, CHECK VALVE			

Index

Patrs Number	Key No.	Patrs Number	Key No.	Patrs Number	Key No.
100000-40630	1 - 17	125324-12820	7 - 27	145631-42030	3 - 38
100011-05330	1 - 18	125324-42030	7 - 27	145642-04930	3 - 35
100012-08020	1 - 14	125325-13310	7 - 26	145710-00230	6 - 20
100013-22330	1 - 16	125325-42030	7 - 26	145806-42030	3 - 36
100014-42030	1 - 13	125326-42030	7 - 24	145809-04560	3 - 31
100015-04630	1 - 15	125327-13930	7 - 20	145809-04561	3 - 31
100100-42030	1 - 9	125327-15130	7 - 10	145866-42030	3 - 33
100132-06720	2 - 40	125334-13930	7 - 29	145866-42031	3 - 33
100142-39130	1 - 10	125337-06960	7 - 9	150112-42030	2 - 37
100142-42030	1 - 10	125337-13930	7 - 9	150601-04560	2 - 33
100143-42030	2 - 30	125338-13930	7 - 6	150801-42030	2 - 31
100200-42030	1 - 6	125339-42030	7 - 5	159010-10130	2 - 36
100204-51030	1 - 6	125340-42030	7 - 4	159012-10230	2 - 34
100204-51031	1 - 6	125341-42030	7 - 3	159016-05330	2 - 35
100212-42030	1 - 5	125342-13210	7 - 2	163401-04560	5 - 17
100212-42031	1 - 5	125342-15130	7 - 2	175000-06531	2 - 38
100215-03930	1 - 7	125342-52130	7 - 2	175000-06560	2 - 38
100215-03930	1 - 7	125344-08560	7 - 29	175005-04560	6 - 5
100242-42030	1 - 11	125344-52130	7 - 1	175009-05131	2 - 41
101010-42030	1 - 19	125345-15130	7 - 11	175016-04920	2 - 43
101010-44330	1 - 19	125372-42030	7 - 21	175017-04630	2 - 41
101010-44331	1 - 19	125376-42030	7 - 32	175017-04631	2 - 41
101010-44332	1 - 19	125378-13930	7 - 30	175018-05960	2 - 42
101011-42030	1 - 21	130010-42030	3 - 5	175018-06530	2 - 42
101011-47630	1 - 21	130010-42031	3 - 5	175019-04920	2 - 39
101011-48730	1 - 21	130010-42032	3 - 5	177200-42030	2 - 7
101511-04560	1 - 22	130016-42030	3 - 9	177200-42031	2 - 7
101576-04562	1 - 25	130016-42031	3 - 9	177200-42032	2 - 7
125200-04560	3 - 11	130017-42030	3 - 7	177200-42033	2 - 7
125200-04560	7 -	130017-42031	3 - 7	177202-42030	2 - 20
125200-04561	3 - 11	130111-00530	4 - 15	177202-44330	2 - 20
125200-04561	7 -	130301-04560	3 - 21	177202-44331	2 - 20
125200-04562	3 - 11	130310-04560	3 - 16	177215-42030	2 - 10
125200-04562	7 -	130313-04561	3 - 18	177215-44430	2 - 10
125200-04563	3 - 11	130405-04560	3 - 14	177218-44330	2 - 21
125200-04563	7 -	130415-04560	3 - 19	177220-42030	2 - 9
125310-42030	7 - 28	131004-52430	4 - 4	177226-10120	2 - 13
125312-12820	7 - 25	131004-55630	4 - 4	177227-42030	2 - 14
125312-42030	7 - 25	131005-04560	4 - 7	177228-06530	2 - 15
125313-42030	7 - 18	131005-04561	4 - 7	177234-12220	2 - 22
125313-42030	7 - 31	131016-40930	4 - 5	177234-42030	2 - 22
125314-13930	7 - 13	131016-55830	4 - 5	177236-44330	2 - 12
125316-42030	7 - 12	131051-52430	4 - 6	178001-04560	3 - 25
125317-42030	7 - 19	131205-07320	4 - 11	178010-05330	5 - 11
125318-42030	7 - 15	131300-40630	4 - 14	178012-05160	5 - 27
125319-42030	7 - 14	131300-56430	4 - 14	178013-05160	5 - 26
125320-42030	7 - 17	131323-04560	4 - 13	178024-22130	5 - 14
125322-42030	7 - 8	132010-42030	4 - 12	178024-43130	5 - 14
125323-42030	7 - 7	145510-42031	3 - 37	178043-05230	5 - 10

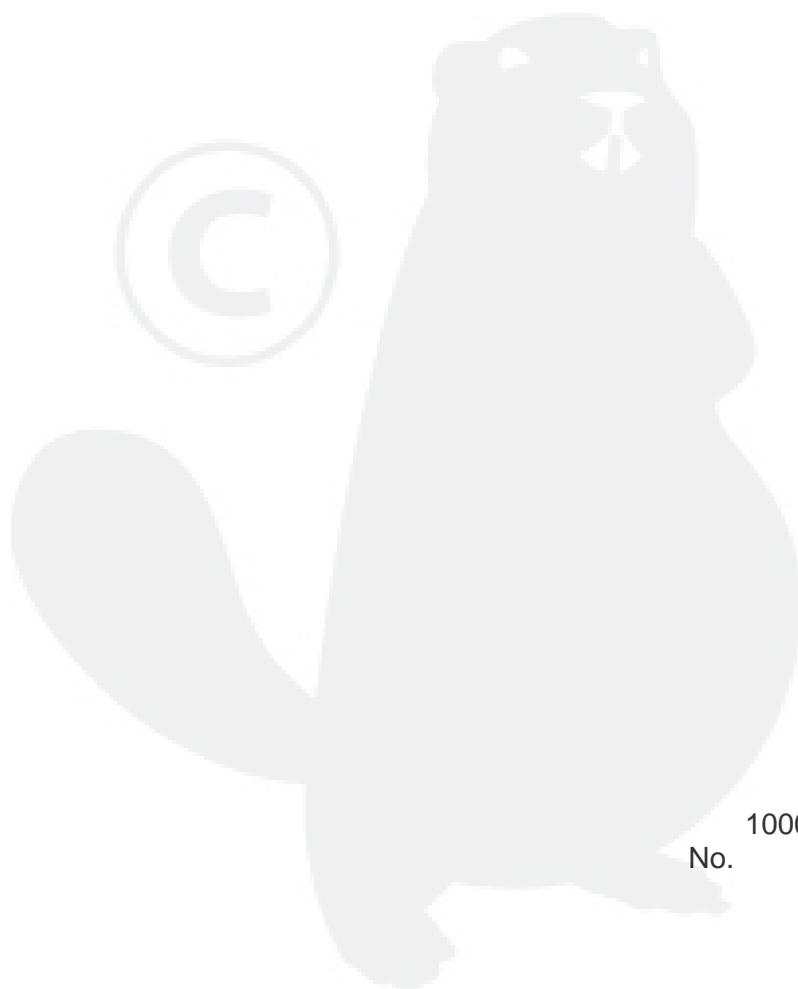
Index

Patrs Number	Key No.	Patrs Number	Key No.	Patrs Number	Key No.
178070-02060	5 - 25	900212-06018	6 - 13		
178070-02061	5 - 25	900220-05016	4 - 8		
178110-05330	5 - 12	900240-05028	5 - 13		
178112-04560	5 - 9	900242-04010	3 - 30		
178510-04560	3 - 20	900242-04010	6 - 19		
178515-04560	3 - 12	900242-04014	1 - 23		
178516-00830	3 - 13	900242-04014	2 - 6		
178810-05230	3 - 22	900242-04020	1 - 26		
300217-00610	5 - 23	900242-04022	2 - 32		
351010-02060	5 - 21	900242-05020	3 - 8		
351012-01260	5 - 20	900242-05020	6 - 11		
351210-04560	5 - 7	900242-05028	1 - 12		
351210-04561	5 - 7	900242-05035	5 - 5		
351217-04560	5 - 6	900242-05057	3 - 15		
351217-04561	5 - 6	900500-00005	3 - 6		
351315-22130	5 - 8	900500-00005	5 - 15		
433020-00830	5 - 16	900502-00006	3 - 23		
610312-04560	6 - 16	900528-00005	3 - 19		
610330-04560	6 - 15	900560-00005	5 - 16		
610330-04561	6 - 15	900560-00006	6 - 20		
610350-04560	6 - 14	900603-00005	4 - 10		
610407-04560	6 - 10	900603-00006	3 - 24		
610407-04561	6 - 10	900605-00005	4 - 9		
610411-04560	6 - 18	900701-00014	6 - 9		
610414-04560	6 - 17	900702-00035	6 - 6		
610425-04560	6 - 23	900810-36201	1 - 8		
610434-50030	6 - 32	900810-36202	6 - 8		
610434-50031	6 - 32	900813-36202	6 - 7		
610440-04560	6 - 12	900819-06202	6 - 8		
697000-04560	6 - 27	94035-36201	1 - 8		
697000-04561	6 - 27	A320-000250	3 - 38		
697010-04560	6 - 25	A320-000251	3 - 38		
697010-04561	6 - 25	C532-000120	6 - 15		
697011-04560	6 - 26	P005-001010	7 - 32		
697011-04561	6 - 26	V104-000160	3 - 37		
699110-04560	6 - 24				
699115-04560	6 - 22				
699118-04560	6 - 21				
890121-21430	3 - 17				
890310-04560	1 - 24				
890312-04561	2 - 5				
890324-04160	3 - 10				
895112-00330	6 - 30				
895410-00430	6 - 31				
898523-04561	6 - 28				
900105-05055	3 - 34				
900162-05022	1 - 20				
900162-05028	1 - 12				
900212-05030	5 - 24				

YAMABIKO CORPORATION

7-2 SUEHIROCHO 1-CHOME, OHME, TOKYO 198-8760, JAPAN
PHONE: 81-428-32-6118. FAX: 81-428-32-6145.

ECHO[®]



1000
No.