
ECHO®

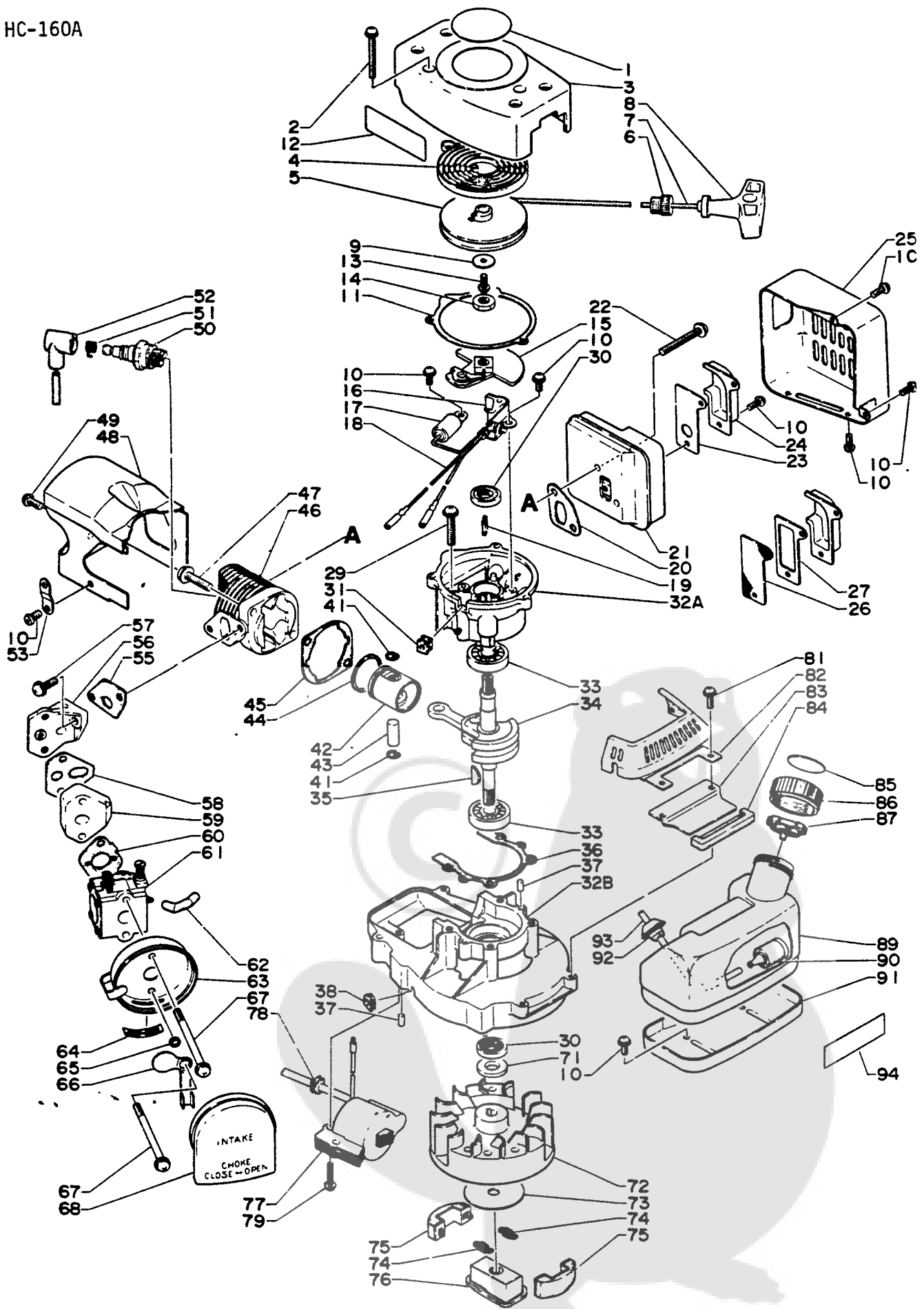
HEDGE CLIPPER PARTS CATALOG MODEL HC-160A



**ECHO, INCORPORATED
400 OAKWOOD ROAD
LAKE ZURICH, IL 60047**

89856103062

HC-160A

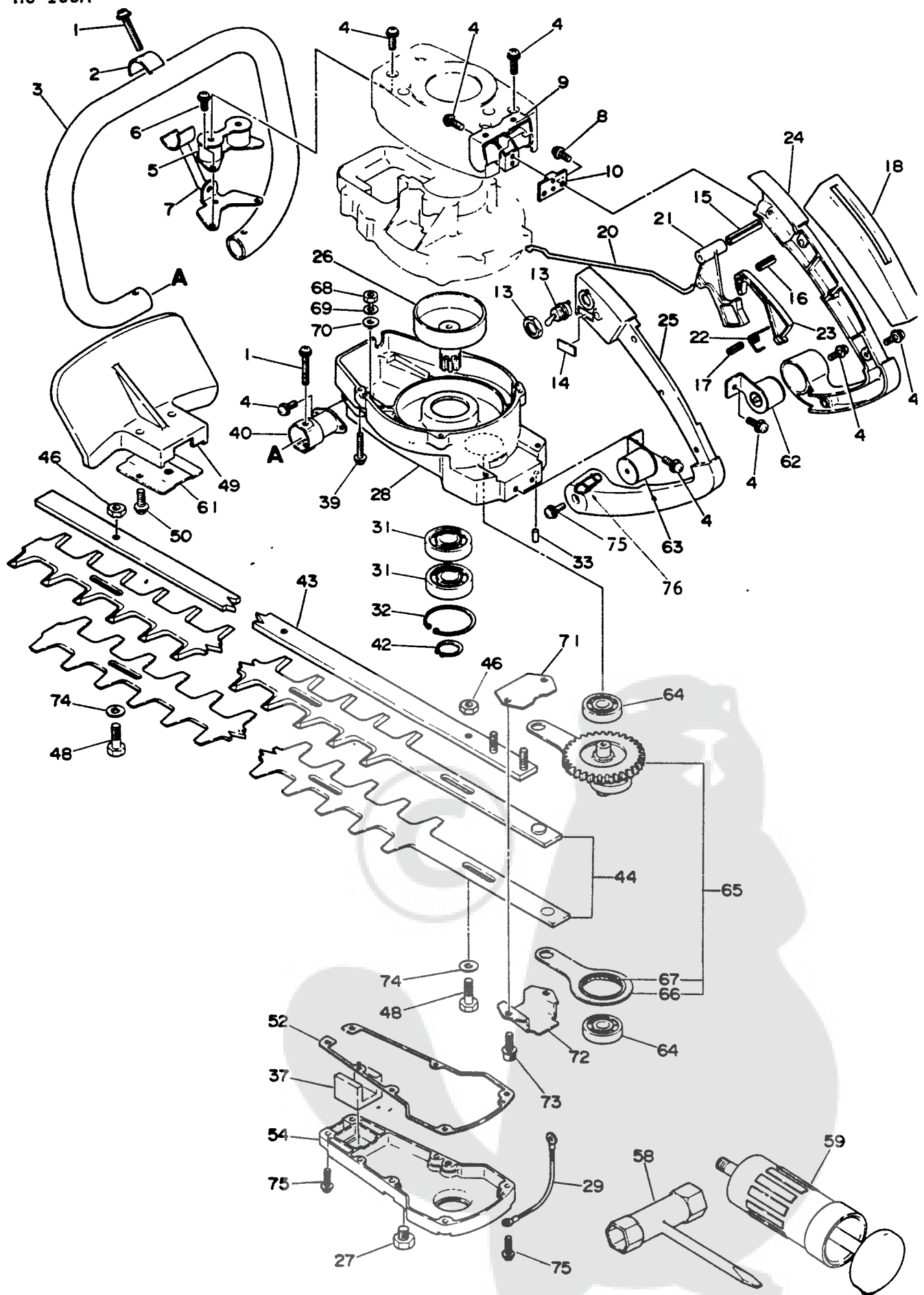


| No. | Part Number | Q'ty | Description | Key No. | Part Number | Q'ty | Description |
|------|-----------------|------|----------------------------|---------|-----------------|------|---------------------|
| 1- 1 | 890 112-0603 1 | 1 | Decal, ECHO | 1-52 | 159 012-0162 0 | 1 | Cap, spark plug |
| 2 | 900 242-0404 0 | 3 | Screw 4x40 | 53 | 101 518-0136 0 | 1 | Bracket |
| | 177 200-0136 0 | 1 | Recoil starter ass'y | 55 | 130 010-0136 0 | 1 | Gasket |
| 3 | -177 209-0136 0 | 1 | Starter case | 56 | 130 013-0136 0 | 1 | Base, insulator |
| 4 | -177 220-0653 0 | 1 | Rewind spring | 57 | 900 242-0501 6 | 2 | Screw 5x16 |
| 5 | -177 215-0492 0 | 1 | Recoil drum | 58 | 130 022-0136 0 | 1 | Gasket |
| 6 | -177 227-0533 0 | 1 | Rope guide | 59 | 130 017-0136 0 | 1 | Insulator |
| 7 | -177 226-0653 0 | 1 | Rope | 60 | 130 016-0492 1 | 1 | Gasket |
| 8 | -177 228-0653 0 | 1 | Starter handle | 61 | 123 000-0136 0 | 1 | Carburetor ass'y |
| 9 | -177 214-0463 0 | 1 | Washer | 62 | 130 110-0136 0 | 1 | Tube |
| 13 | -900 241-0401 0 | 1 | Screw 4x10 | 63 | 130 301-0136 0 | 1 | Case, air cleaner |
| 10 | 900 242-0401 0 | 9 | Screw 4x10 | 64 | -178 810-0653 0 | 1 | Grommet |
| 11 | 100 615-0492 0 | 1 | Gasket, starter case | 65 | 178 516-0083 0 | 1 | Spacer |
| 12 | 890 160-0393 0 | 1 | Decal, caution | 66 | 178 515-0136 0 | 1 | Choke shutter |
| 14 | 900 502-0000 8 | 1 | Nut 8 | 67 | 900 242-0505 7 | 2 | Screw 5x57 |
| 15 | 177 305-0492 0 | 1 | Ratchet ass'y | 68 | 130 310-0492 2 | 1 | Air filter |
| 16 | 150 101-0492 0 | 1 | Breaker point set | 71 | 100 132-0653 0 | 1 | Washer |
| 17 | 150 127-0492 0 | 1 | Condenser | 72 | 150 200-0492 0 | 1 | Flywheel |
| 18 | 150 505-0632 0 | 1 | Ground lead | 73 | 175 019-0492 0 | 1 | Side plate |
| 19 | 156 134-0373 0 | 1 | Oil pad | 74 | 175 018-0653 0 | 2 | Clutch spring |
| 20 | 145 510-0492 0 | 1 | Gasket, muffler | 75 | 175 017-0463 0 | 2 | Clutch shoe |
| 21 | 145 806-0632 0 | 1 | Muffler body | 76 | 175 016-0492 0 | 1 | Clutch boss |
| 22 | 900 242-0504 0 | 2 | Screw 5x40 | 77 | 150 126-0492 0 | 1 | Ignition coil |
| 23 | 145 875-0632 0 | 1 | Plate (Option) | 78 | 156 110-0492 0 | 1 | Grommet |
| 24 | 145 876-0136 0 | 1 | Muffler lid | 79 | 900 242-0402 0 | 2 | Screw 4x20 |
| 25 | 145 621-0136 0 | 1 | Muffler cover | 81 | 900 242-0401 2 | 2 | Screw 4x12 |
| 26 | 145 862-0632 0 | 1 | Screen | 82 | 100 616-0136 0 | 1 | Cover |
| 27 | 145 863-0632 0 | 1 | Screen holder | 83 | 131 910-0306 0 | 1 | Bracket |
| 29 | 900 242-0503 0 | 4 | Screw 5x30 | 84 | 131 920-0793 0 | 1 | Cushion |
| 30 | 100 213-0593 0 | 2 | Oil seal | 86 | 131 600-2213 0 | 1 | Cap ass'y fuel tank |
| 31 | 150 114-0492 0 | 1 | Grommet | 85 | -890 154-1513 0 | 1 | Decal, fuel mix |
| 32 | 100 200-0136 0 | 1 | Crankcase set | 87 | -131 314-0493 0 | 1 | Check valve |
| 37 | -100 215-0393 0 | 4 | Knock pin | 89 | 131 010-0136 0 | 1 | Fuel tank |
| 33 | 900 810-3620 0 | 2 | Ball bearing | 90 | 131 205-0732 0 | 1 | Fuel strainer |
| 34 | 100 100-0492 1 | 1 | Crankshaft ass'y | 91 | 131 918-0136 0 | 1 | Bracket |
| 35 | 100 142-0033 0 | 1 | Woodruff key | 92 | 132 115-0492 0 | 1 | Grommet |
| *36 | USE KIT | 1 | Gasket, crankcase | 93 | 132 010-0216 0 | 1 | Fuel pipe |
| 38 | 156 114-0492 0 | 1 | Grommet | 94 | 890 115-0306 0 | 1 | Label, model |
| 41 | 100 015-0463 0 | 2 | Circlip, piston pin | | | | |
| 42 | 100 010-0216 0 | 1 | Piston | | | | |
| 43 | 100 013-0492 0 | 1 | Piston pin | | | | |
| 44 | 100 011-0216 0 | 1 | Piston ring | | | | |
| *45 | USE KIT | 1 | Gasket, cylinder base | | | | |
| 46 | 101 034-0216 1 | 1 | Cylinder | | | | |
| 47 | 900 242-0602 0 | 2 | Screw 6x20 | | | | |
| 49 | 900 242-0501 0 | 2 | Screw 5x10 | | | | |
| 48 | 101 514-0136 0 | 2 | Cylinder cover | | | | |
| 50 | 159 010-0033 0 | 2 | Spark plug BM6A | | | | |
| 50 | 159 010-1013 0 | 2 | Spark plug BMR 6A (Option) | | | | |
| 51 | 159 011-0051 0 | 2 | Coil spring plug cap | | | | |

Remarks:
 * Consists of 3 thru 10.
 32; Includes 37
 63; Includes 64
 86; Includes 85 and 87

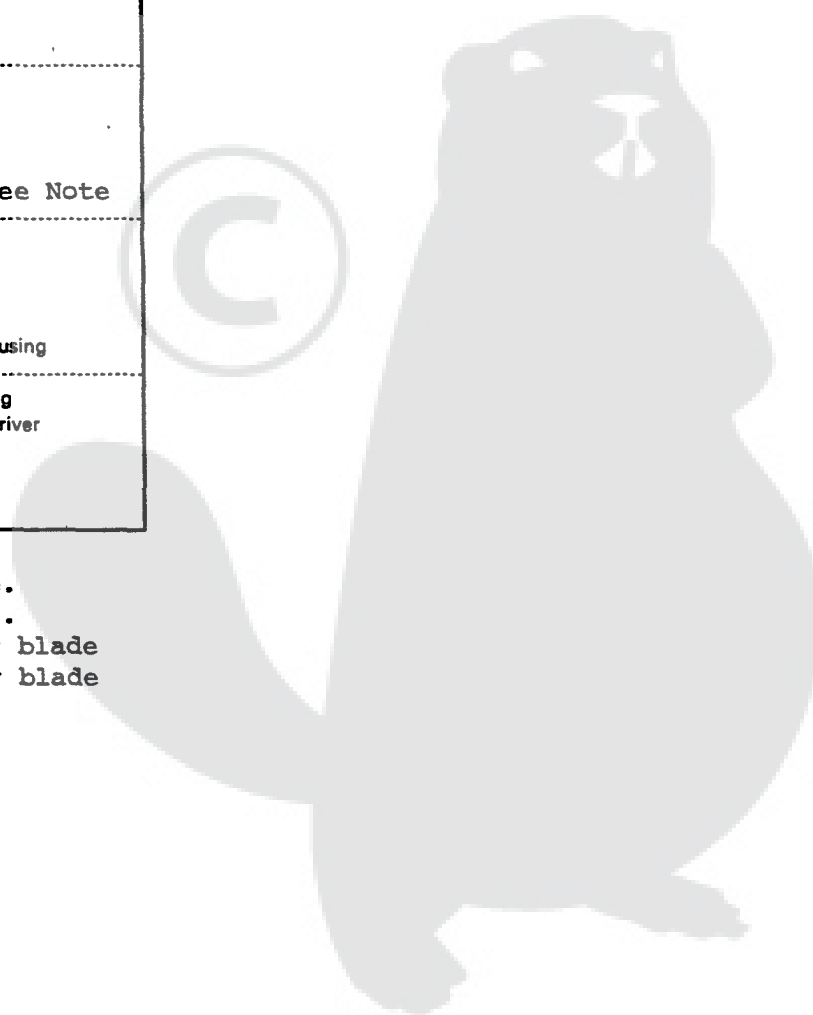
* Use Gasket Kit, P/N 889 000-0136 1

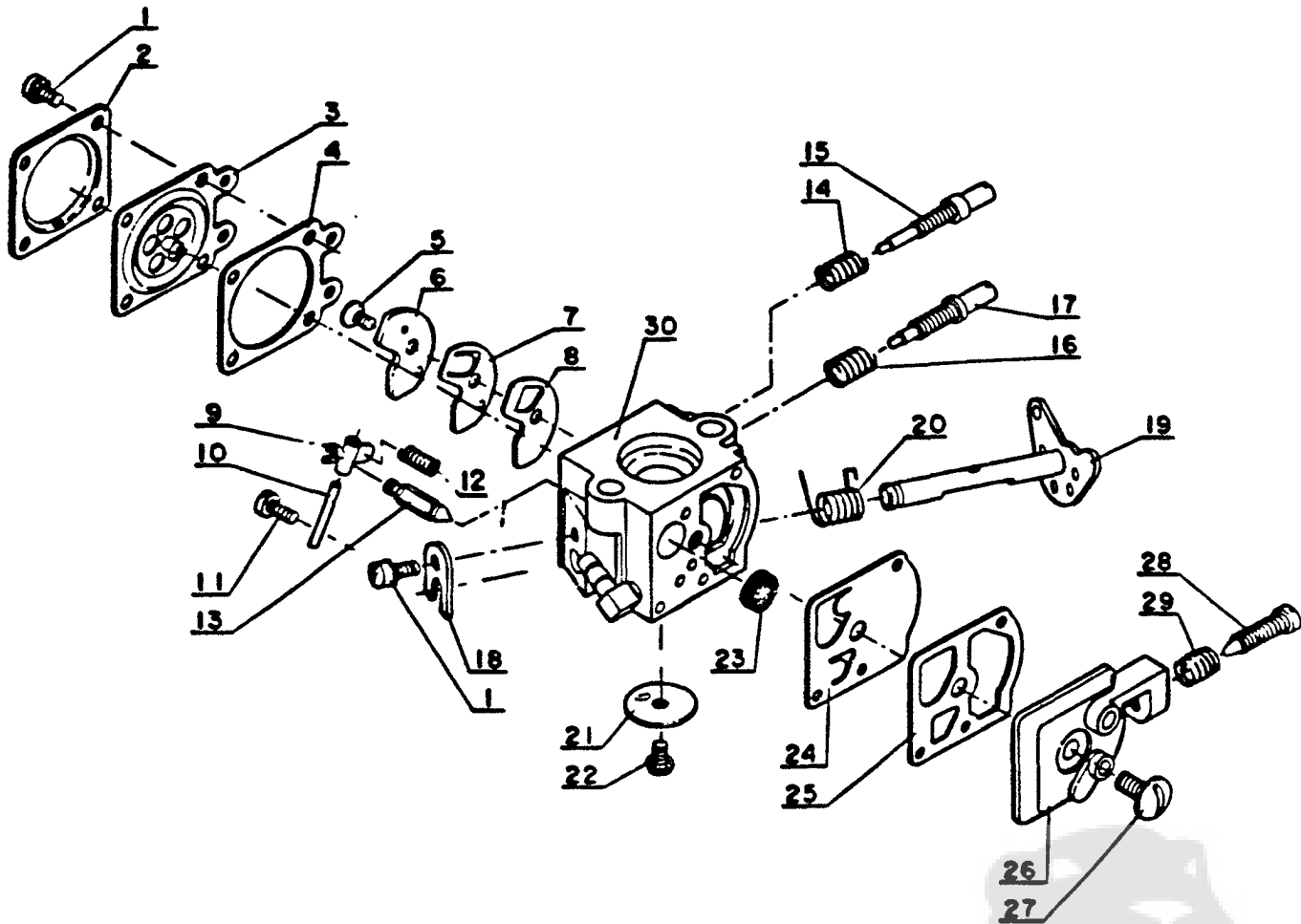
HC-160A



| No. | Part number | Q'ty | Description | Key No. | Part Number | Q'ty | Description |
|-----|----------------|------|----------------------|---------|------------------|------|--------------------|
| 2-1 | 900 242-0403 0 | 3 | Screw 4x30 | 2-63 | 351 907-1053 1 | 1 | Cushion |
| 2 | 351 641-0136 0 | 1 | Plate | 64 | 900 810-0620 0 | 2 | Bearing, ball 6200 |
| 3 | 351 610-0136 0 | 1 | Handle, front | 65 | 610 302-0126 0 | 1 | Gear ass'y, |
| 4 | 900 242-0401 2 | 18 | Screw 4x12 | 66 | -610 307-0126 0 | 1 | Rod, connecting |
| 5 | 351 605-0136 0 | 1 | Cushion | 67 | --610 327-0126 0 | 1 | Bearing, needle |
| 6 | 900 242-0400 8 | 3 | Screw 4x8 | 68 | 900 500-0000 6 | 2 | Nut 6 |
| 7 | 351 613-0136 1 | 1 | Supporter, f. handle | 69 | 900 605-0000 6 | 2 | Washer, spring 6 |
| 8 | 900 242-0401 0 | 2 | Screw 4x10 | 70 | 900 600-0000 6 | 2 | Washer 6 |
| 9 | 351 105-0136 0 | 1 | Cushion | 71 | 610 440-0126 0 | 1 | Guide |
| 10 | 351 126-0136 0 | 1 | Plate | 72 | 610 441-0206 0 | 1 | Guide |
| 13 | 163 400-0216 0 | 1 | Switch, ignition | 73 | 900 162-0501 4 | 2 | Bolt, h. s. 5x14 |
| 14 | 890 157-1113 0 | 1 | Label, stop | 74 | 699 118-0126 1 | 4 | Washer |
| 15 | 900 340-5003 2 | 1 | Pin, Spring 5x32 | 75 | 900 242-0401 4 | 6 | Screw 4x14 |
| 16 | 900 340-4001 6 | 1 | Pin, spring 4x16 | 76 | 351135-10530 | 1 | Spacer |
| 17 | 900 340-3001 4 | 1 | Pin, spring 3x14 | | | | |
| 18 | 351 111-0136 0 | 1 | Grip, rear handle | | | | |
| 20 | 178 011-0136 0 | 1 | Rod, throttle | | | | |
| 21 | 178 010-0136 0 | 1 | Control, throttle | | | | |
| 22 | 178 091-0136 0 | 1 | Spring | | | | |
| 23 | 178 090-0136 0 | 1 | Lockout, t. control | | | | |
| 24 | 351 110-0306 0 | 1 | Handle, rear | | | | |
| 25 | 351 129-0306 0 | 1 | Handle, rear | | | | |
| 26 | 175 005-0126 1 | 1 | Drum, clutch | | | | |
| 27 | 900 100-0800 8 | 1 | Bolt 8x8 | | | | |
| 28 | 610 410-0306 0 | 1 | Housing, gear | | | | |
| 29 | 162 010-0136 0 | 1 | Lead | | | | |
| 31 | 900 802-0600 3 | 2 | Bearing, ball 6003 | | | | |
| 32 | 900 702-0003 5 | 1 | Circlip 35 | | | | |
| 33 | 100 215-0393 0 | 2 | Pin, dowel | | | | |
| 37 | 610 426-0126 0 | 1 | Felt | | | | |
| 39 | 900 242-0402 2 | 4 | Screw 4x22 | | | | |
| 40 | 351 607-0136 0 | 2 | Cushion | | | | |
| 42 | 900 701-0001 6 | 1 | Circlip 16 | | | | |
| 43 | 699 110-0306 0 | 1 | Bar, frame | | | | |
| 44 | 697 000-0306 0 | 1 | Cutter set see Note | | | | |
| 46 | 145 710-0023 0 | 4 | Nut 6 | | | | |
| 48 | 699 115-0206 2 | 4 | Bolt | | | | |
| 49 | 351 805-0136 0 | 1 | Guard, hand | | | | |
| 50 | 900 242-0501 2 | 2 | Screw 5x12 | | | | |
| 52 | 610 414-0126 0 | 1 | Gasket, gear housing | | | | |
| 54 | 610 411-0206 0 | 1 | Lid, gear housing | | | | |
| 58 | 895 410-0793 0 | 1 | Wrench, w/s. driver | | | | |
| 59 | 880 300-0126 0 | 1 | Pump, grease | | | | |
| 61 | 351 833-0306 0 | 1 | Plate | | | | |
| 62 | 351 107-1053 1 | 1 | Cushion | | | | |

Note: Blade set not available.
 Order as separate items.
 -697 010-0306 0 Upper blade
 697 011-0306 0 Lower blade





| Key No. | Part Number | Q'ty | Description | Key No. | Part Number | Q'ty | Description |
|---------|-----------------|------|---------------------------|---------|-----------------|------|-------------------------|
| 3 * | 123 000-0136 0 | 1 | Carburetor ass'y (WA 89) | 3-20 | -123 113-0393 0 | 1 | Spring, throttle return |
| 1 | A | 5 | Screw | 21 | -123 116-0653 0 | 1 | Valve, throttle |
| 2 | -123 142-0393 0 | 1 | Cover, metering diaphragm | 22 | -123 114-0393 0 | 1 | Screw, throttle valve |
| 3 | A B | 1 | Diaphragm metering | 23 | A | 1 | Screen, inlet |
| 4 | A B | 1 | Gasket, m, diaphragm | 24 | A B | 1 | Diaphragm fuel pump |
| 5 | -123 167-0523 0 | 1 | Screw circuit plate | 25 | A B | 1 | Gasket, fuel pump |
| 6 | -123 166-0393 0 | 1 | plate, circuit | 26 | -123 124-0136 0 | 1 | Cover, fuel pump |
| 7 | A B | 1 | Diaphragm, circuit plate | 27 | -123 110-0393 0 | 1 | Screw pump cover |
| 8 | A B | 1 | Gasket, circuit plate | 28 | -123 134-0632 0 | 1 | Screw, idle adjustment |
| 9 | A | 1 | Lever, metering | 29 | -123 133-0632 0 | 1 | Spring, idle screw |
| 10 | A | 1 | Pin, metering lever | 30 | -Not Available | 1 | Body ass'y |
| 11 | A | 1 | Screw, metering lever pin | | | | |
| 12 | A | 1 | Spring, metering lever | | | | |
| 13 | A | 1 | Valve, inlet needle | | | | |
| 14 | A | 1 | Spring, H. S. needle | | | | |
| 15 | -123 120-0653 0 | 1 | Needle, high speed | | | | |
| 16 | A | 1 | Spring, idle needle | | | | |
| 17 | -123 118-0653 0 | 1 | Needle, idle | | | | |
| 18 | -123 127-0393 0 | 1 | Clip, throttle shaft | | | | |
| 19 | -123 117-0136 0 | 1 | Shaft, throttle | | | | |

A denotes KWIK KIT 123 100-0652 0

B denotes DIAPHRAGM KIT 123 101-0393 0

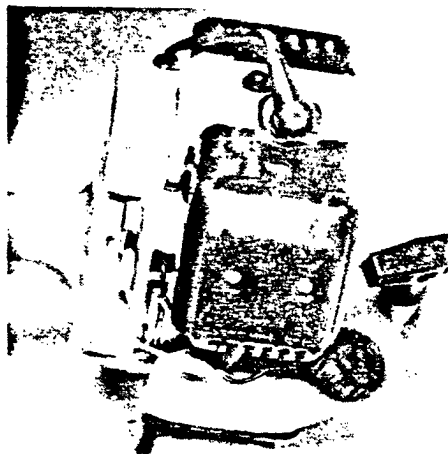
Remarks:

* Consists of 1 thru 30.



ELECTRONIC IGNITION CONVERSION KIT

P/N 152004-21930



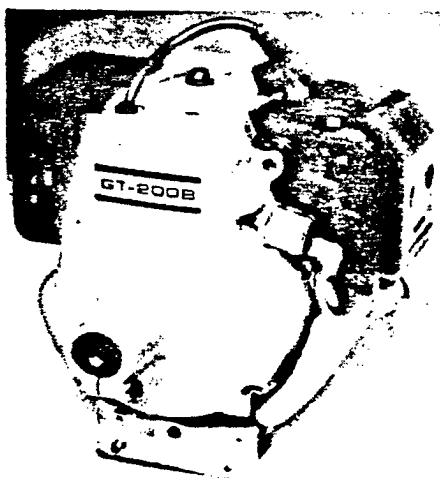
Now you can convert older, breaker-point ignition trimmers to trouble-free, electronic ignition.

This Conversion Kit includes all necessary parts: leads, clip, bracket and fasteners.

Installation is simple and quick...no engine disassembly required.

One kit fits these ECHO models:

| | |
|--------------|--------------|
| GT-140, A, B | SRM-140D, DA |
| GTL-140, A | KEH-140DA |
| GT-160 | SRM-200 |
| GT-160A | HC-140 |
| GT-200, B | HC-160, A |
| G-1AK | |



Call your Echo distributor *today!*

SUGGESTED RETAIL PRICE

\$17.00 EACH

ECHO INCORPORATED
Lake Zurich, Il. 60047

AVAILABLE
JULY 1, 1988