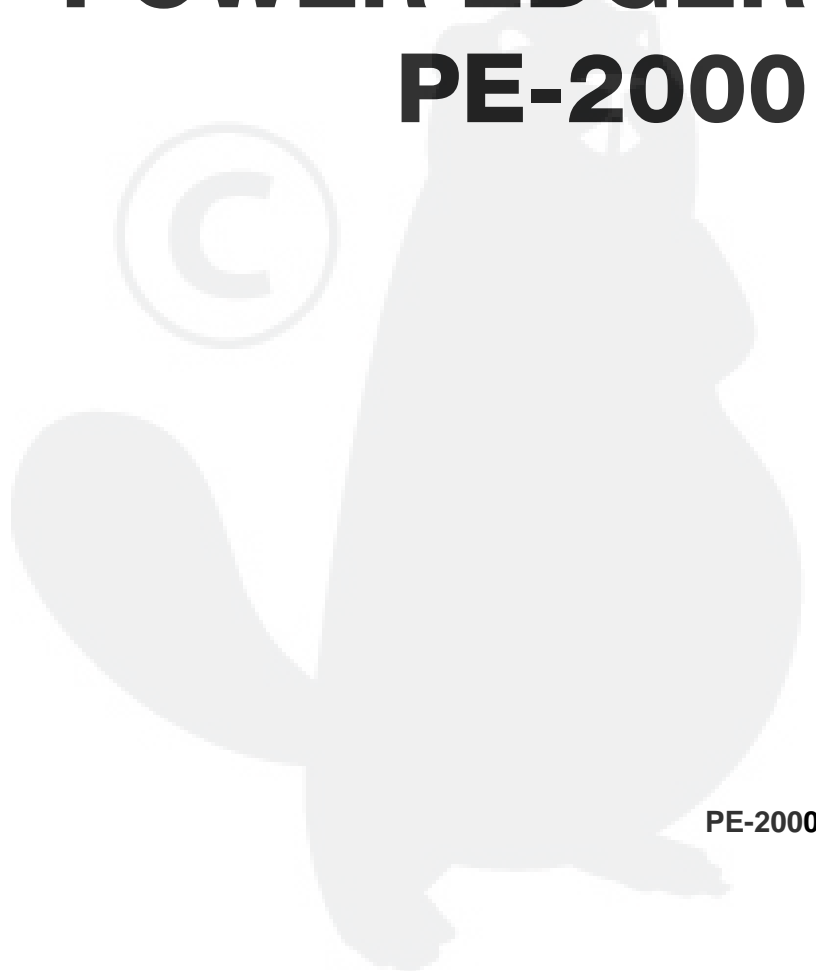




PARTS CATALOG

POWER EDGER

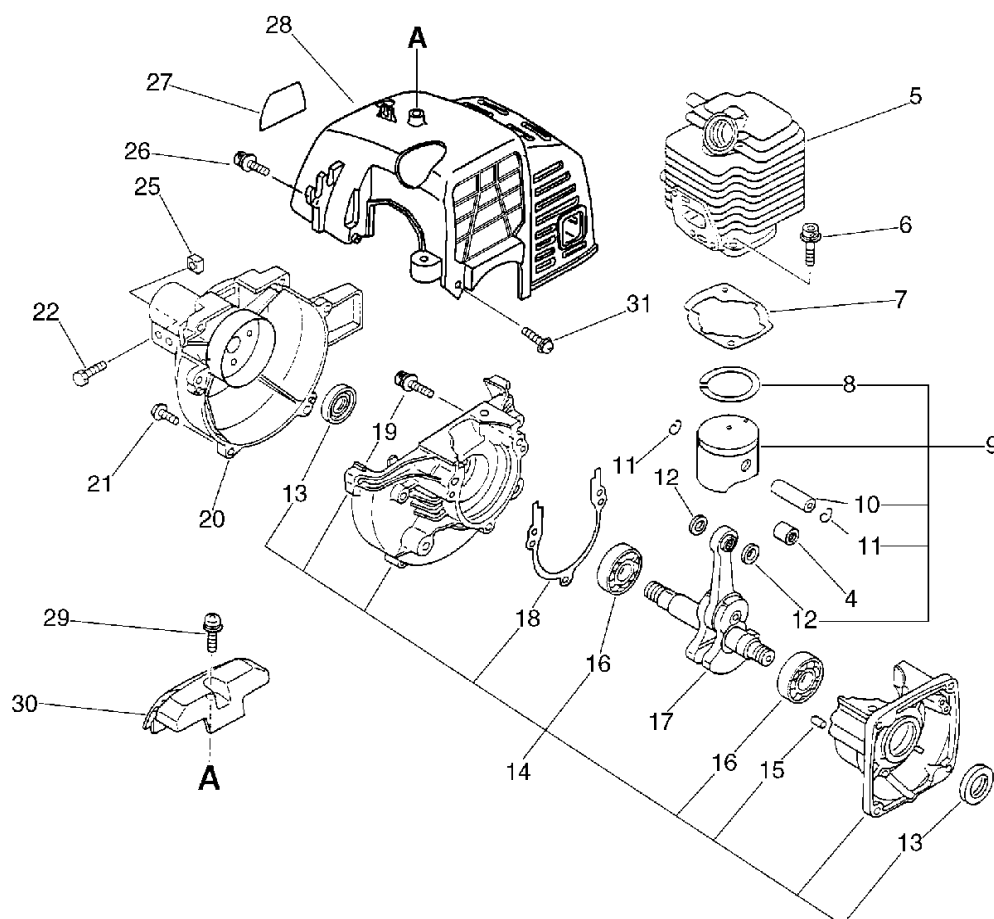
PE-2000



PE-2000

1. Cylinder, Crankcase, Piston, Fan Cover

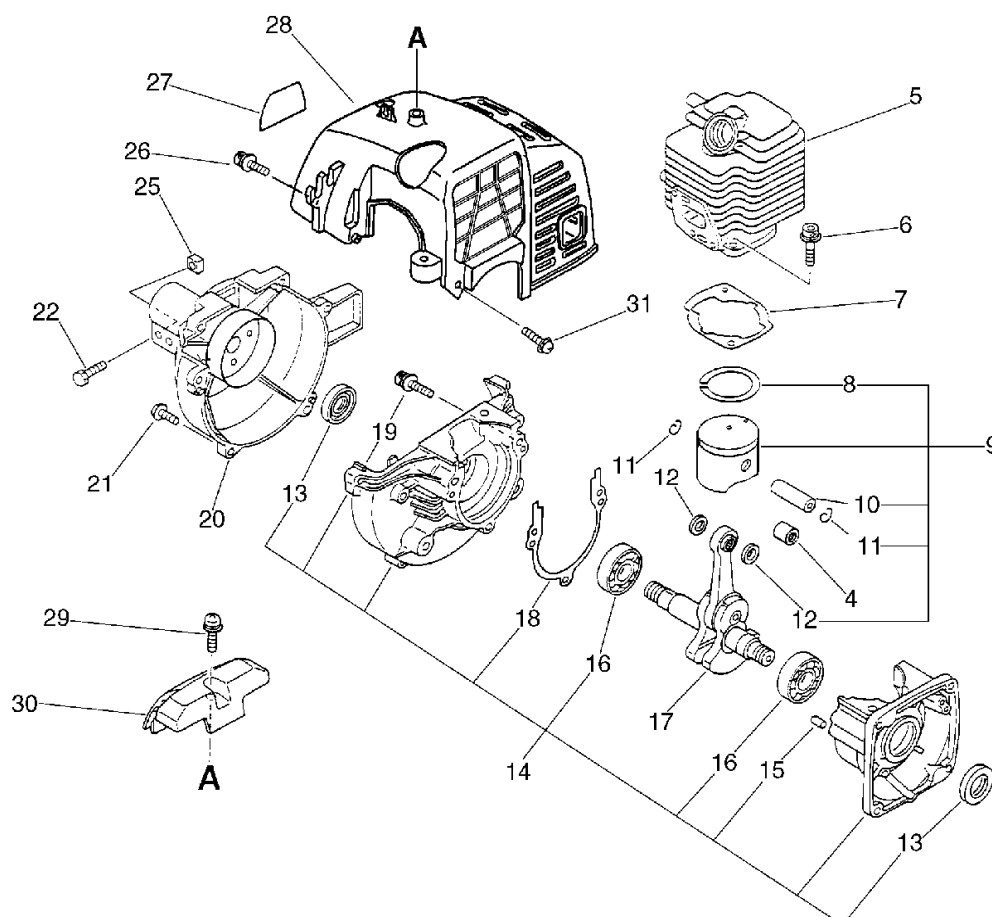
No.1



KEY	LV	PART NUMBER	Q'TY	DESCRIPTION	REMARKS	NOTE1	NOTE2
5		101011-06561	1	CYLINDER		Sus. by 101011-06562	
5		101011-06562	1	CYLINDER		Sr/Nr 522074 and before	
5		A130-000010	1	CYLINDER		Sus. by A130-000011	
5		A130-000011	1	CYLINDER		Sr/Nr 522075 and after	
6		900162-05022	2	BOLT, H.S. 5*22	5*22 W,SW		
7		101010-44332	1	GASKET, CYL. BASE			
9		100000-48730	1	PISTON KIT		Sus. by 100000-48732	
9		100000-48731	1	PISTON KIT		Sus. by 100000-48732	
9		100000-48732	1	PISTON KIT		Sr/Nr 522074 and before	
9		P021-001100	1	PISTON KIT		Sus. by P021-001102	
9		P021-001101	1	PISTON KIT		Sus. by P021-001102	
9		P021-001102	1	PISTON KIT		Sr/Nr 522075 and after	
8	+	100011-05330	2	RING, PISTON		Sr/Nr 522074 and before	
8	+	A101-000000	2	RING,PISTON		Sr/Nr 522075 and after	

1. Cylinder, Crankcase, Piston, Fan Cover

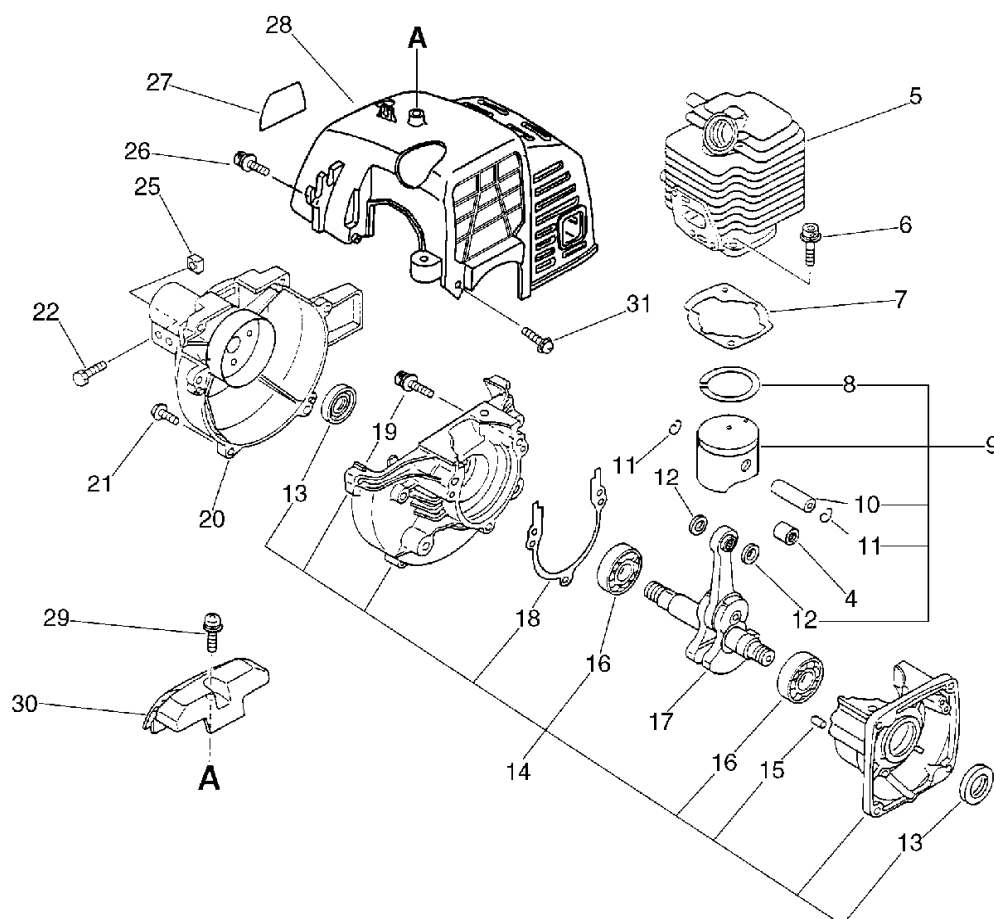
No.1



KEY	LV	PART NUMBER	Q'TY	DESCRIPTION	REMARKS	NOTE1	NOTE2
10	+	100013-11520	1	PIN, PISTON			
11	+	100015-04630	2	CIRCLIP, PISTON PIN			
12	+	100014-11520	2	SPACER, PISTON PIN			
14		100204-52130	1	CRANKCASE KIT		Sus. by 100204-52132	
14		100204-52131	1	CRANKCASE KIT		Sus. by 100204-52132	
14		100204-52132	1	CRANKCASE KIT			
13	+	100212-42030	2	OILSEAL	ISCD12*22*4.5	Sus. by 100212-42031	
13	+	100212-42031	2	OILSEAL	ISCD 12*22*4.5		
15	+	100215-03930	2	PIN, DOWEL			
16	+	900810-36201	2	BEARING, BALL 6201	6201/C3		
18	+	100242-42030	1	GASKET, CRANKCASE			
19	+	900162-05028	3	BOLT, H.S. 5*28	5*28 W,SW		
17		100100-54130	1	CRANKSHAFT ASSY		Sus. by 100100-44732	
17		100100-44732	1	CRANKSHAFT ASSY		Sr/Nr 522074 and before	
17		A011-000000	1	CRANKSHAFT,ASM		Sus. by A011-000002	
17		A011-000001	1	CRANKSHAFT,ASM		Sus. by A011-000002	
17		A011-000002	1	CRANKSHAFT,ASM		Sr/Nr 522075 and after	

1. Cylinder, Crankcase, Piston, Fan Cover

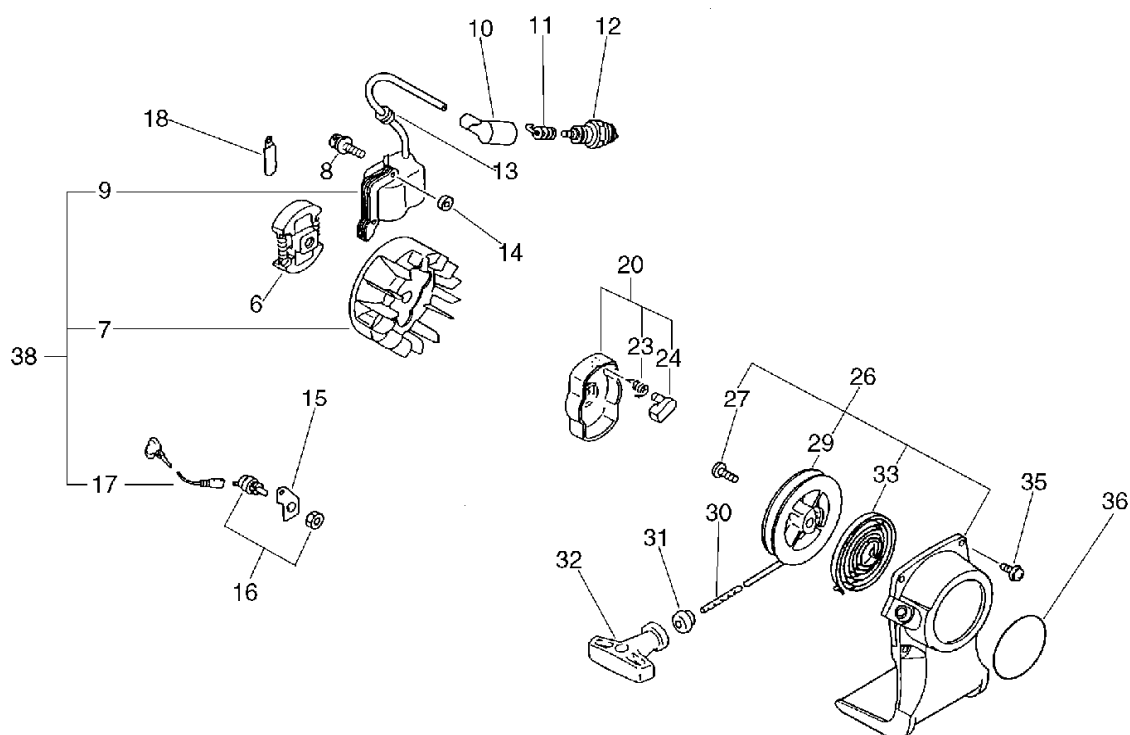
No.1



KEY	LV	PART NUMBER	Q'TY	DESCRIPTION	REMARKS	NOTE1	NOTE2
4	+	100012-51230	1	BEARING, NEEDLE	8*12*10	Sus. by V553-000010	
4	+	V553-000030	1	BEARING, NEEDLE 8		Sus. by V553-000010	
4	+	V553-000010	1	BEARING, NEEDLE 8	HK0810		
20		101503-56630	1	COVER ASSY, FAN			
21		900162-04018	4	BOLT, H.S. 4*18	4*18 W,SW	Sus. by 900163-04018	
21		900163-04018	4	BOLT HSH			
22		900142-05028	2	BOLT 5*28 (W/W,SW)	5*28		
25		900565-50005	2	NUT 5	5		
26		900253-04012	2	SCREW	4*12		
27		890112-55330	1	LABEL, MODEL			
28		101514-48730	1	COVER, CYLINDER		Sus. by 101514-48731	
28		101514-48731	1	COVER, CYLINDER			
29		900253-05016	1	SCREW	5*16		
30		159912-48630	1	GUARD, TOP			
31		900162-04016	2	BOLT, H.S. 4*16	4*16 W,SW	Sus. by 900163-04016	
31		900163-04016	2	BOLT HSH			

2. Starter, Magneto, Clutch

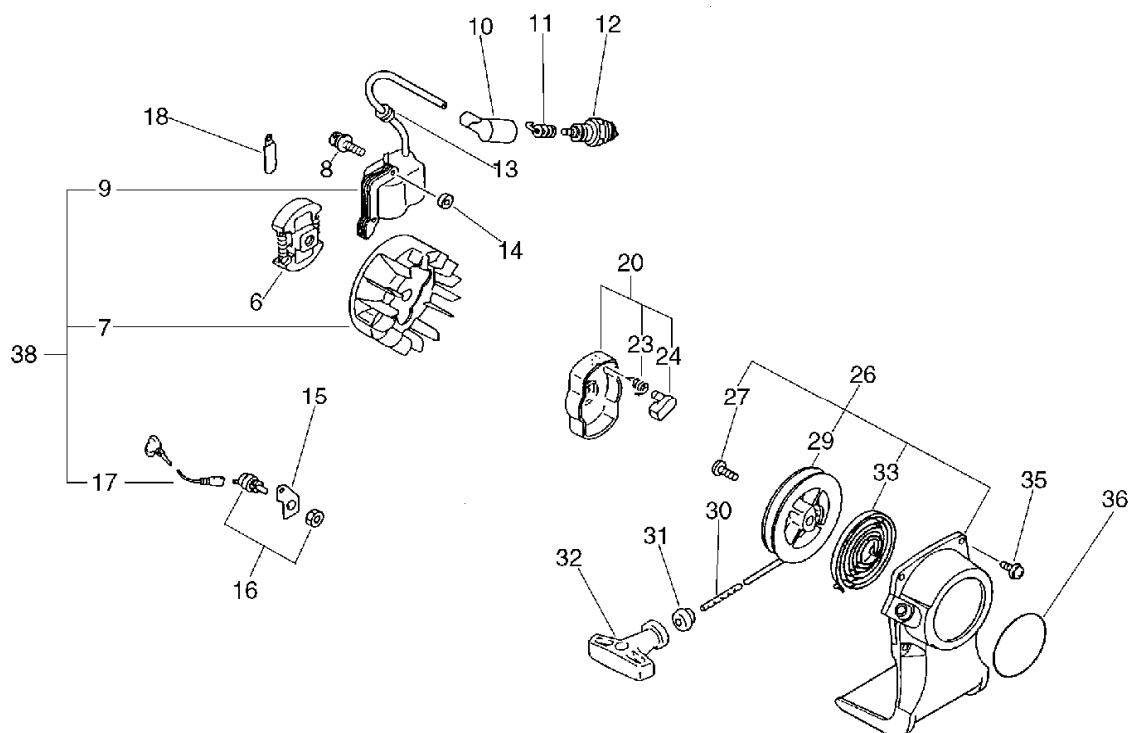
No.2



KEY	LV	PART NUMBER	Q'TY	DESCRIPTION	REMARKS	NOTE1	NOTE2
6		175000-49030	1	CLUTCH ASSY		Sus. by 175000-56830	
6		175000-56830	1	CLUTCH ASSY			
7		158800-20560	1	ROTOR, MAGNETO		Sr/Nr 527888 and before	
8		900162-04022	2	BOLT, H.S. 4*22	4*22 W,SW		
9		158626-55331	1	COIL, IGNITION		Sr/Nr 527888 and before	
10		159012-01620	1	CAP, SPARK PLUG			
11		159011-03432	1	COIL, SPARK PLUG			
12		159010-10630	1	PLUG, SPARK (BPM-7A)	BPM-7A		
13		150112-44330	1	BUSHING			
14		101531-54330	2	COLLAR			
15		163810-44330	1	BRACKET, SWITCH			
16		163400-03460	1	SWITCH, IGNITION			
17		162010-06861	1	LEAD, GROUND		Sr/Nr 527888 and before	
18		159116-21231	1	CLAMP			
20		177202-44330	1	PAWL ASSY, STARTER		Sus. by 177202-44331	
20		177202-44331	1	PAWL ASM., STARTER			
23	+	177234-42030	1	SPRING, RETURN			
24	+	177218-44330	1	PAWL, STARTER	BLACK		
26		177200-54130	1	STARTER ASSY			
27	+	177236-44330	1	SCREW			
29	+	177215-44430	1	DRUM, STARTER			

2. Starter, Magneto, Clutch

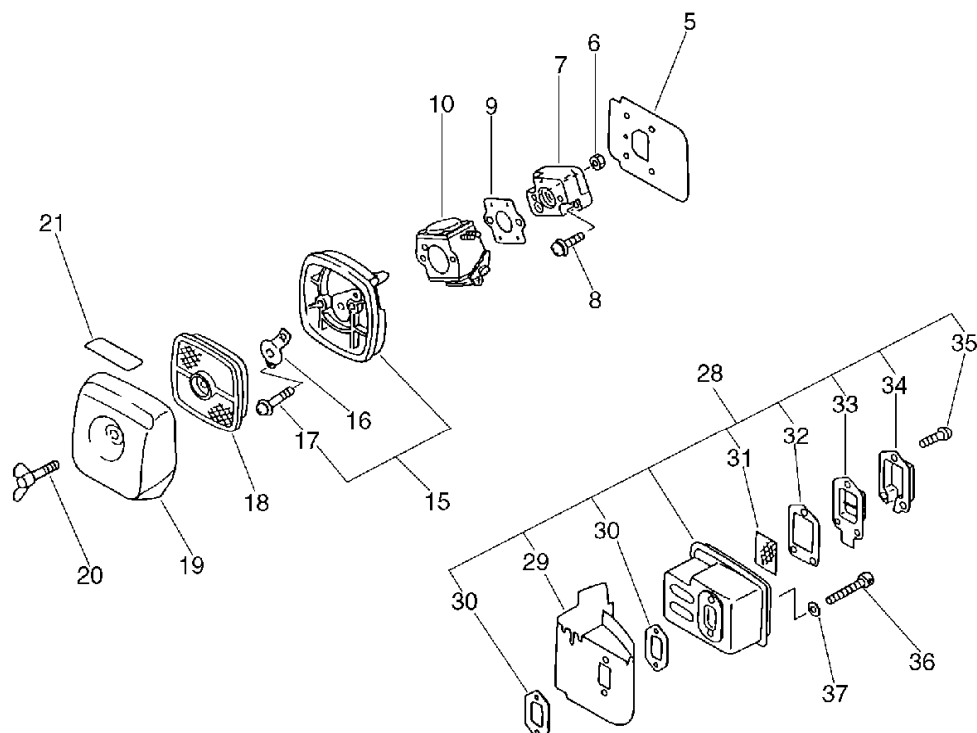
No.2



KEY	LV	PART NUMBER	Q'TY	DESCRIPTION	REMARKS	NOTE1	NOTE2
30	+	177226-10120	1	ROPE, STARTER	3.0*1000		
31	+	177227-42030	1	GUIDE, ROPE			
32	+	177228-06530	1	GRIP, STARTER			
33	+	177220-42030	1	SPRING, REWIND			
35		900162-04016	2	BOLT, H.S. 4*16	4*16 W,SW	Sus. by 900163-04016	
35		900163-04016	2	BOLT HSH			
36		890118-49130	1	LABEL, ECHO			
38		P021-001180	1	MAGNETO ASY			
7	+	A409-000000	1	ROTOR,MAGNETO		Sr/Nr 527889 and after	
9	+	156601-52130	1	COIL, IGNITION		Sr/Nr 527889 and after	
17	+	162010-52830	1	LEAD, GROUND		Sr/Nr 527889 and after	

3. Air Cleaner, Muffler

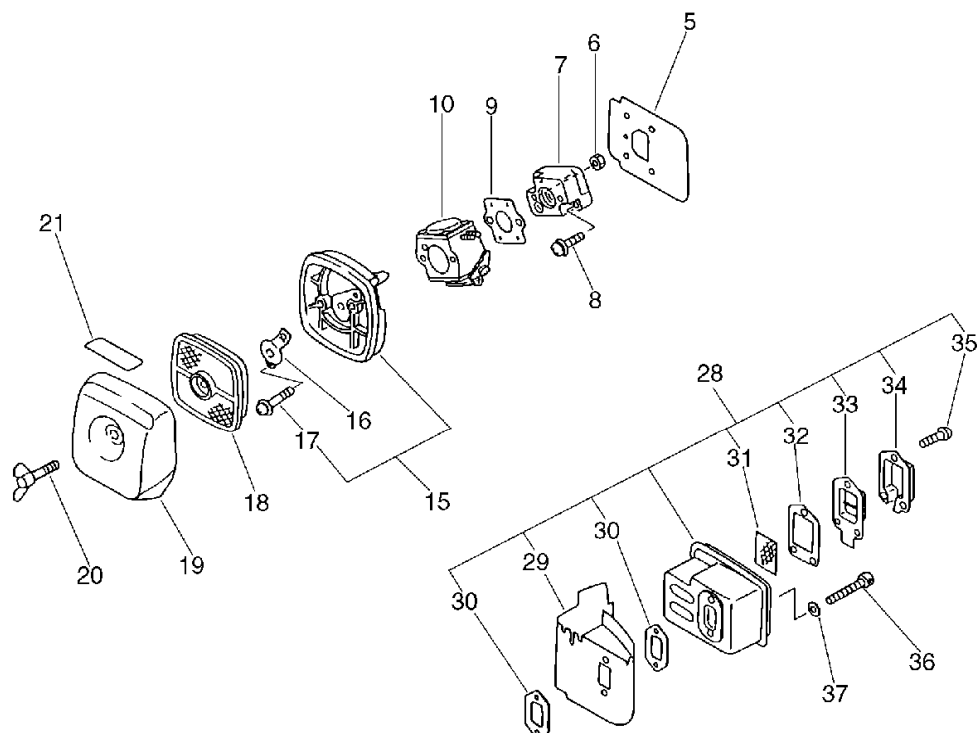
No.3



KEY	LV	PART NUMBER	Q'TY	DESCRIPTION	REMARKS	NOTE1	NOTE2
5		130010-42032	1	GASKET,INTAKE			
6		900500-00005	2	NUT 5	5		
7		130017-42031	1	INSULATOR, INTAKE			
8		900238-05020	2	SCREW 5*20	5*20		
9		V103-000111	1	GASKET,INTAKE		Sus. by 130016-42031	
9		130016-42031	1	GASKET, INTAKE			
10		125200-13311	1	CARBURETOR C1U-K52	C1U-K52	Sus. by 125200-13314	
10		125200-13312	1	CARBURETOR	C1U-K52	Sus. by 125200-13314	
10		125200-13313	1	CARBURETOR	C1U-K52	Sus. by 125200-13314	
10		125200-13314	1	CARBURETOR	C1U-K52		
15		130307-06561	1	CASE, AIR CLEANER		Sus. by P021-002921	
15		P021-002921	1	CASE, AIR CLEANER			
17	+	900242-05065	2	SCREW 5*65	5*65		
16		129011-52730	1	PLATE, PREVENT			
18		130310-54130	1	FILTER, AIR			
19		130313-06563	1	LID, AIR CLEANER			
20		210417-52730	1	BOLT, WING	5*20		
21		890121-06360	1	LABEL, CHOKE			
28		145800-54130	1	MUFFLER ASSY		Sr/Nr 522074 and before	

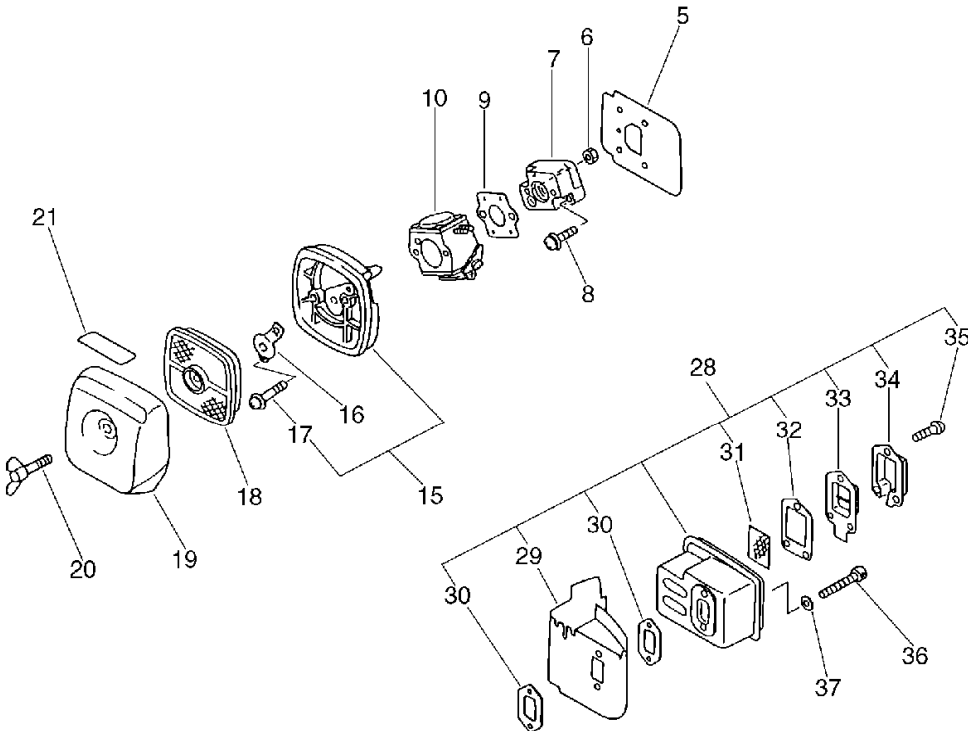
3. Air Cleaner, Muffler

No.3



KEY	LV	PART NUMBER	Q'TY	DESCRIPTION	REMARKS	NOTE1	NOTE2
28		P021-000312	1	MUFFLER ASY		Sus. by P021-000314	
28		P021-000313	1	MUFFLER ASY		Sus. by P021-000314	
28		P021-000314	1	MUFFLER ASY		Sr/Nr 522075 and after	
29	+	145871-44331	1	COVER, MUFFLER		Sus. by A320-000251	
29	+	A320-000250	1	COVER, MUFFLER		Sus. by A320-000251	
29	+	A320-000251	1	COVER, MUFFLER			
30	+	145510-42031	2	GASKET, MUFFLER			
31	+	145862-40630	1	SCREEN, MUFFLER			
32	+	145866-42031	1	GASKET, MUFFLER LID		Sr/Nr 522074 and before	
32	+	V104-000001	1	GASKET, EXHAUST		Sus. by V104-000003	
32	+	V104-000003	1	GASKET, EXHAUST		Sr/Nr 522075 and after	
33	+	145863-54130	1	FIXTURE, SCREEN		Sr/Nr 522074 and before	
33	+	A313-000000	1	GUIDE, EXH		Sr/Nr 522075 and after	
34	+	145876-42030	1	LID, MUFFLER (B)			
35	+	900238-04010	3	SCREW 4*10	4*10		
36		900105-05055	2	BOLT, H.S. 5*55	5*55		

3. Air Cleaner, Muffler No.3

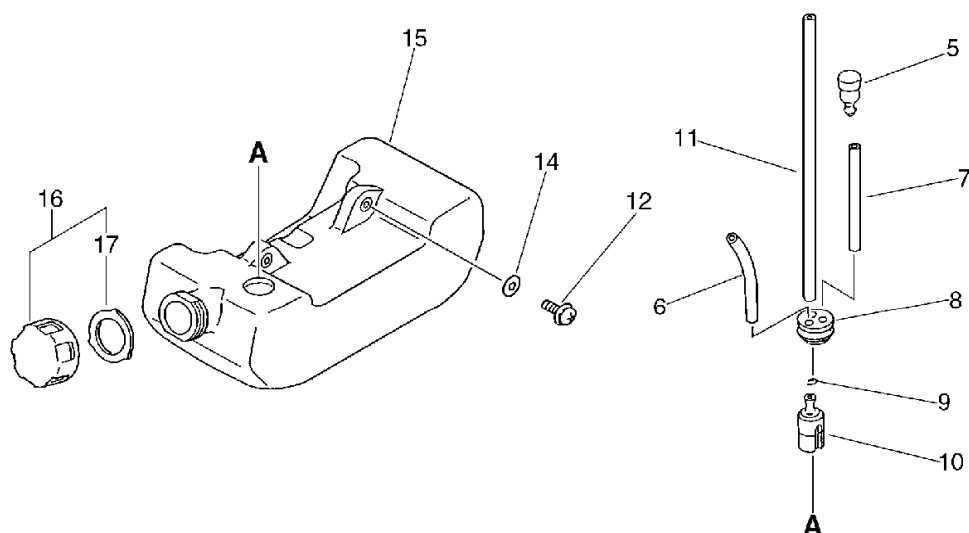


KEY	LV	PART NUMBER	Q'TY	DESCRIPTION	REMARKS	NOTE1	NOTE2
37		900600-00005	2	WASHER 5	5		



4. Fuel Tank

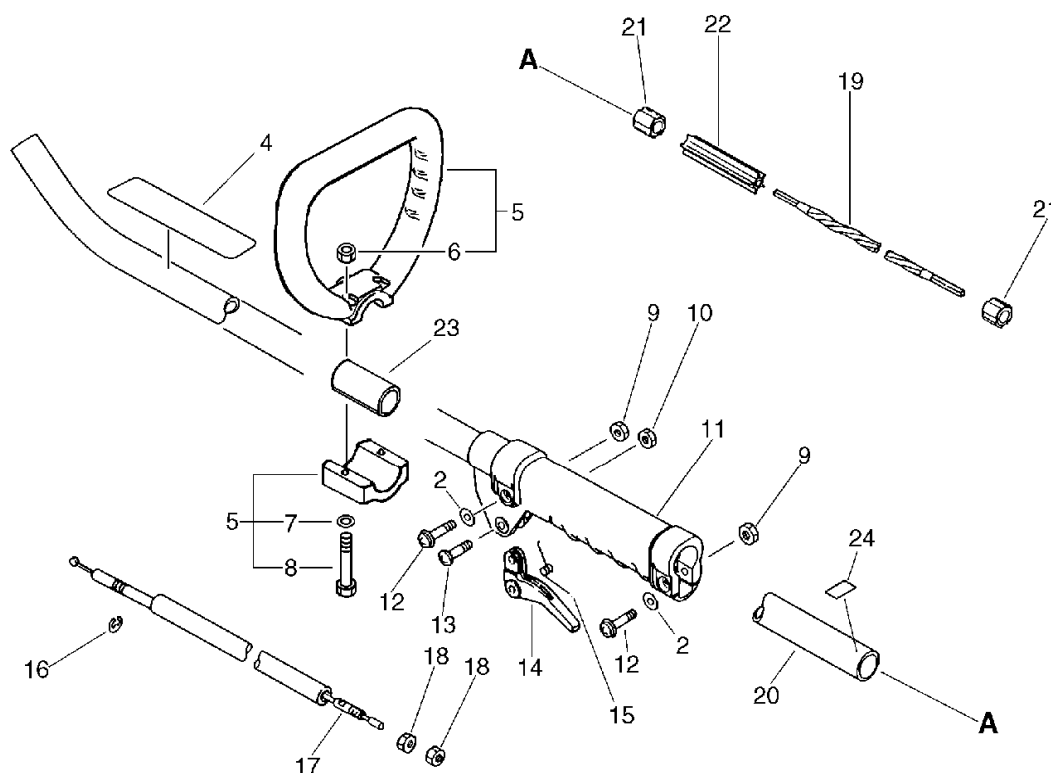
No.4



KEY	LV	PART NUMBER	Q'TY	DESCRIPTION	REMARKS	NOTE1	NOTE2
5		131300-56430	1	VALVE, CHECK		Sus. by A356-000030	
5		A356-000030	1	VALVE,CHECK			
6		132010-56330	1	PIPE 3*6*90	3*6*90 YL		
7		131312-39130	1	PIPE	3*5*70(+3)NBR	Sus. by V471-001200	
7		V471-001200	1	PIPE	3*5*70 NBR		
8		132115-46730	1	GROMMET, FUEL		Sus. by V137-000030	
8		V137-000030	1	GROMMET,FUEL			
9		132013-09820	1	CLIP	6MM		
10		131205-07320	1	STRAINER, FUEL			
11		132010-13930	1	PIPE, FUEL	3*5*180L NBR	Sus. by V471-001190	
11		V471-001190	1	PIPE	3*5*180 NBR		
12		900238-05016	2	SCREW 5*16	5*16		
14		900603-00005	2	WASHER 5	5.5*12*0.8		
15		131005-46830	1	TANK, FUEL		Sus. by 131005-46831	
15		131005-46831	1	TANK, FUEL			
16		131004-55830	1	CAP ASSY, FUEL TANK			
17	+	131016-55830	1	GASKET, FUEL CAP			

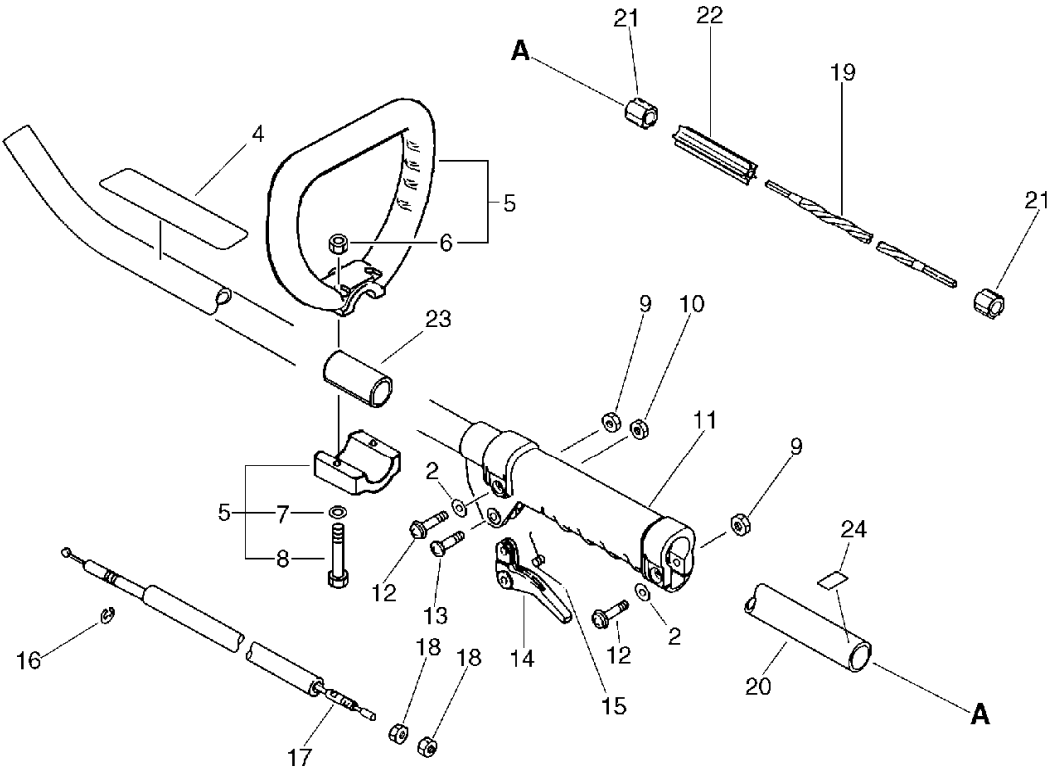
5. Handle

No.5



KEY	LV	PART NUMBER	Q'TY	DESCRIPTION	REMARKS	NOTE1	NOTE2
4		890160-48030	1	LABEL, CAUTION			Sus. by 890160-25560
4		890160-48031	1	LABEL, CAUTION			Sus. by 890160-25560
4		890160-25560	1	LABEL, CAUTION			
5		351201-08930	1	HANDLE ASSY, LOOP			
6	+	900500-00005	2	NUT 5	5		
7	+	900600-00005	2	WASHER 5	5		
8	+	900220-05040	2	SCREW 5*40	5*40		
9		900500-00005	2	NUT 5	5		
10		900560-00005	1	NUT, LOCK 5	5		
11		351213-44330	1	GRIP (BL)			
12		900240-05025	2	SCREW 5*25	5*25		
13		178110-05330	1	SCREW			
14		178010-48731	1	CONTROL, THROTTLE			Sus. by C450-000070
14		C450-000070	1	TRIGGER, THROTTLE			
15		178043-06930	1	SPRING, THR. RETURN			
16		900700-00005	1	E-RING 5	CE-5		
17		178001-56730	1	CABLE, THROTTLE			Sus. by 178001-44430
17		178001-44430	1	WIRE, THROTTLE			
18		900502-00006	2	NUT 6 (3N)	3N6		
19		610013-44730	1	SHAFT, FLEXIBLE			
20		610206-55330	1	HOUSING ASSY. D.SHFT			
21	+	610246-55330	2	FITURE, LINER			

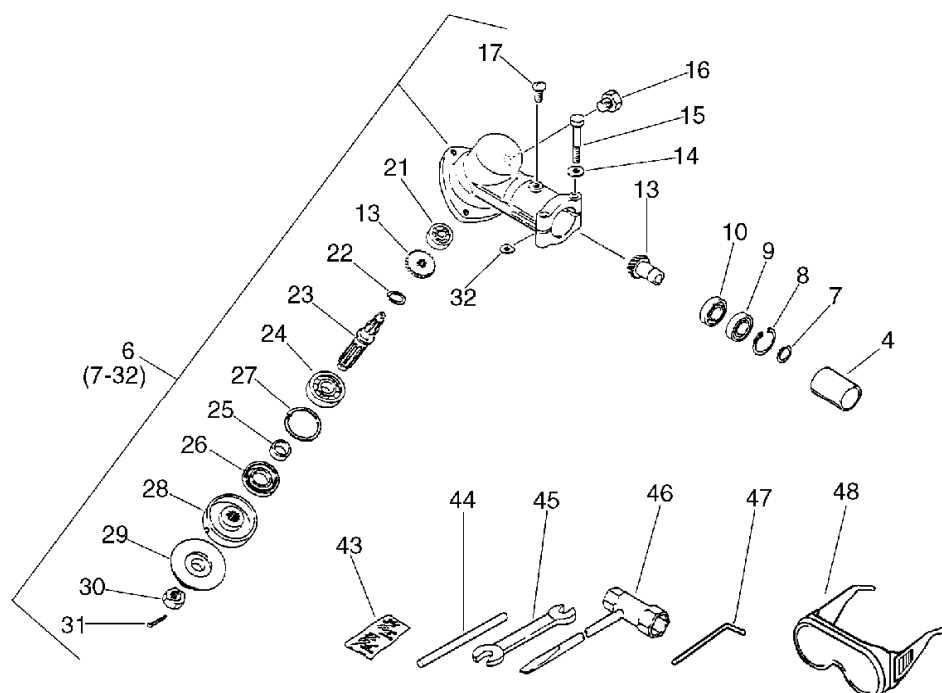
5. Handle
No.5



KEY	LV	PART NUMBER	Q'TY	DESCRIPTION	REMARKS	NOTE1	NOTE2
22	+	610217-55330	1	LINER, FLEXIBLE			
23		351330-08930	1	COLLAR			
24		890152-04930	1	LABEL, CAUTION			

6. Gear Case, Tools

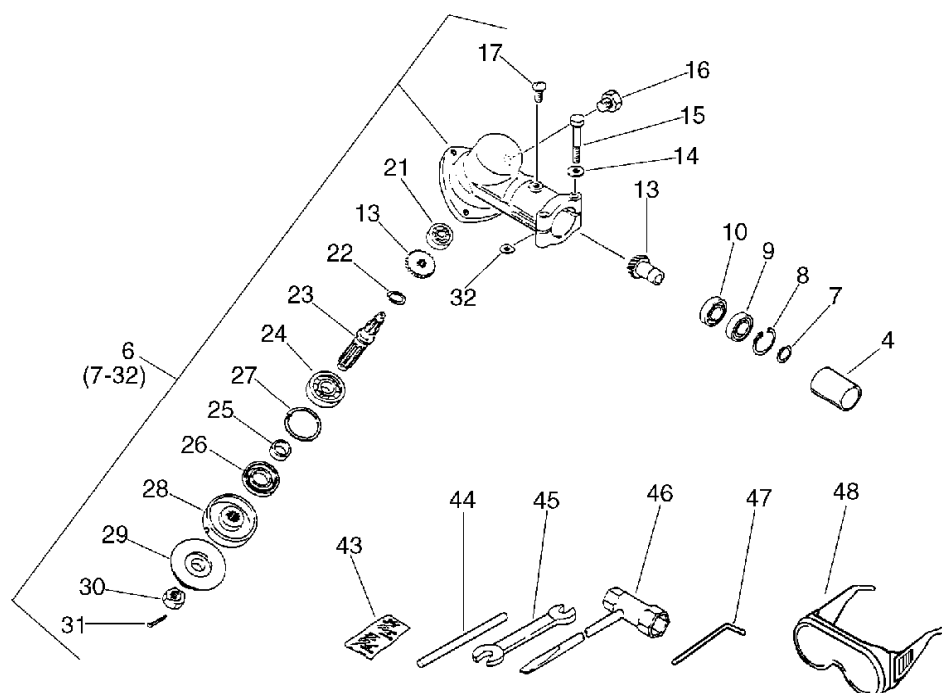
No.6



KEY	LV	PART NUMBER	Q'TY	DESCRIPTION	REMARKS	NOTE1	NOTE2
4		610225-55330	1	COLLAR		Sus. by 610225-55331	
4		610225-55331	1	COLLAR			
6		610402-52630	1	HOUSING ASSY, GEAR		Sus. by 610402-52633	
6		610402-52631	1	CASE ASY, GEAR		Sus. by 610402-52633	
6		610402-52632	1	CASE ASY, GEAR		Sus. by 610402-52633	
6		610402-52633	1	CASE ASY, GEAR			
7	+	900706-00012	1	CIRCLIP 12	WR-12		
8	+	900702-00022	1	CIRCLIP 22	CR-22		
9	+	900858-06900	1	BEARING, BALL 6900Z	6900Z		
10	+	900855-06900	1	BEARING, BALL 6900	6900		
13	+	610300-52630	1	GEAR SET			
14	+	900600-00005	2	WASHER 5	5		
15	+	900100-05030	2	BOLT 5*30	5*30		
16	+	610434-50030	1	BOLT 8* 6			
17	+	900242-05010	1	SCREW 5*10	5*10		
20	+	610460-27430	1	HOUSING, GEAR		Sus. by 610460-27431	
20	+	610460-27431	1	HOUSING, GEAR			
21	+	900800-00609	1	BEARING, BALL 609	609		
22	+	900706-00010	1	CIRCLIP 10	WR-10		
23	+	610360-08931	1	SHAFT, P.T.O.			
24	+	900810-06201	1	BEARING, BALL 6201	6201		

6. Gear Case, Tools

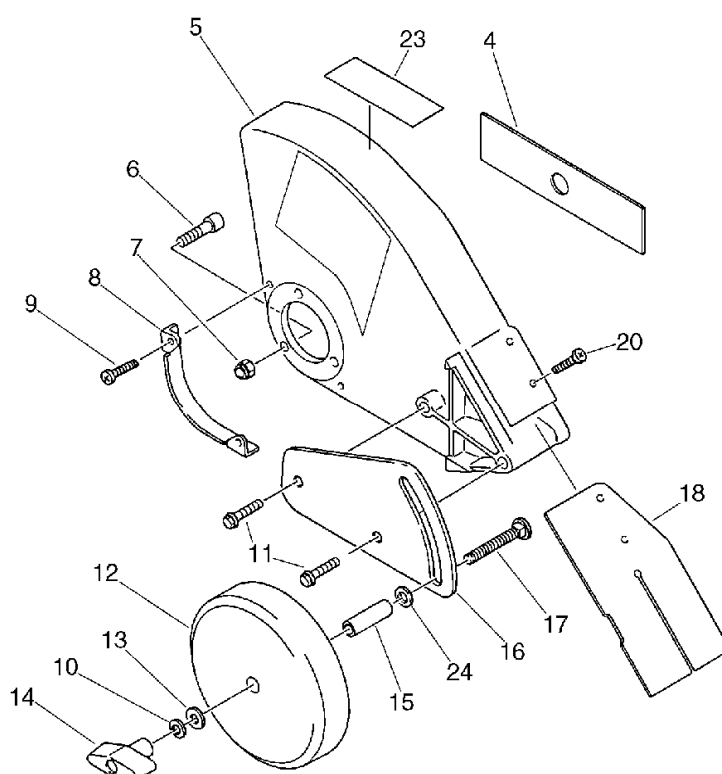
No.6



KEY	LV	PART NUMBER	Q'TY	DESCRIPTION	REMARKS	NOTE1	NOTE2
25	+	610315-07130	1	SPACER			
26	+	610413-07130	1	OILSEAL			
27	+	900702-00032	1	CIRCLIP 32	CR-32		
28	+	610313-07130	1	PLATE, ADAPTER (U)	PD 25.4	Sus. by 610313-07131	
28	+	610313-07131	1	PLATE, ADAPTER (U)	PD 25.4	Sus. by 610313-07132	
28	+	610313-07132	1	PLATE, ADAPTER (U)			
29	+	610314-04131	1	PLATE, ADAPTER (L)			
30	+	900511-00010	1	NUT 10 (L-H)	10*P1.25	Sus. by 900513-00010	
30	+	900513-00010	1	NUT 10*1.25 3N L-H	3N10*1.25		
31	+	900300-20022	1	PIN, SPLIT 2*22	2*22		
32	+	610239-04130	2	WASHER, SHIM			
43		898502-01130	1	PIN 2*22 (W/POUCH)			
44		897518-01131	1	LOCKING TOOL			
45		895112-00330	1	SPANNER 8*10			
46		895410-08030	1	WRENCH, W/S. DRIVER		Sus. by X602-000020	
46		X602-000020	1	TOOL,WRENCH	17*19 L200		
47		895612-03430	1	L-WRENCH (3MM)			
48		899580-40930	1	GOGGLE		Sus. by P021-002861	
48		899580-68730	1	SAFETY GLASSES		Sus. by P021-002861	
48		P021-002861	1	GOGGLES			

7. Shield, Blade

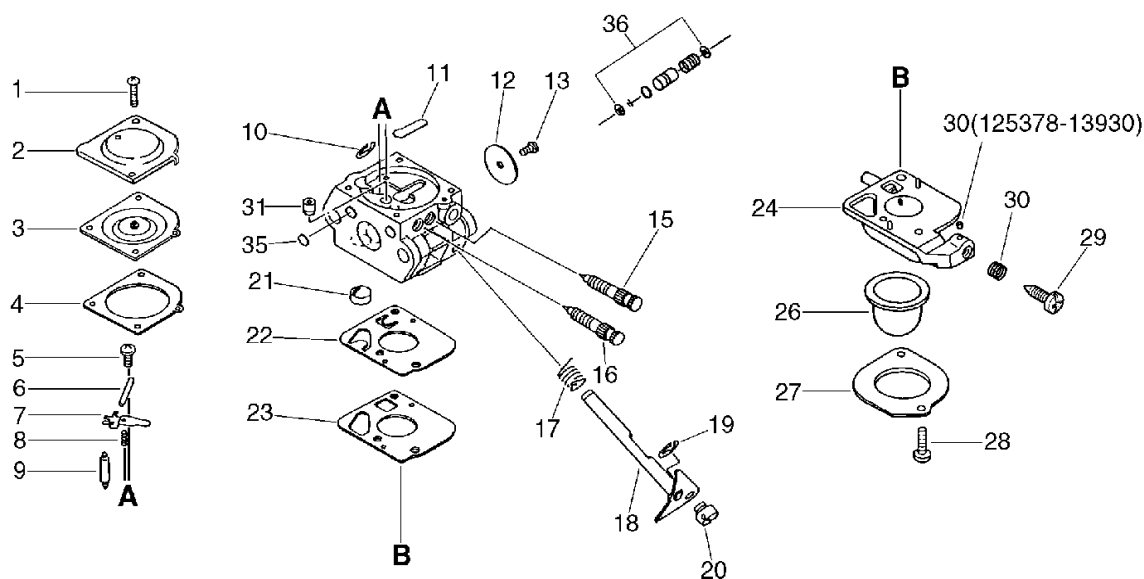
No.7



KEY	LV	PART NUMBER	Q'TY	DESCRIPTION	REMARKS	NOTE1	NOTE2
4		696015-52632	1	2-CUTTER BLADE QTY-2			
5		699010-52630	1	SHIELD, BLADE			
6		900162-05022	3	BOLT, H.S. 5*22	5*22 W,SW		
7		900562-50005	3	LOCKNUT 5	5		
8		699025-52630	1	PLATE, PROTECTION			
9		900080-00300	2	SCREW, 4*16	+4*16		
10		900605-00008	1	WASHER, SPRING 8	8		
11		900080-00100	2	SCREW, 8	6カ5/16*8		
12		302410-52631	1	WHEEL 6*1.5		Sus. by C730-000030	
12		C730-000030	1	WHEEL	GRAY HUB		
13		900602-00008	1	WASHER 8	8.4*17*1.6		
14		178113-55330	1	NUT, WING	5/16-18		
15		302424-52630	1	COLLAR, 12			
16		302029-55330	1	BRACKET, WHEEL		Sus. by 302029-55332	
16		302029-55331	1	BRACKET, WHEEL		Sus. by 302029-55332	
16		302029-55332	1	BRACKET, WHEEL			
17		610250-55330	1	BOLT			
18		699017-55330	1	SHIELD, BLADE			
20		900080-00200	2	SCREW, 4*20	+4*20		
23		890160-52630	1	LABEL, CAUTION			
24		900602-00010	1	WASHER 10(10.5*21*2)	10.5*21*2		

8. Carburetor

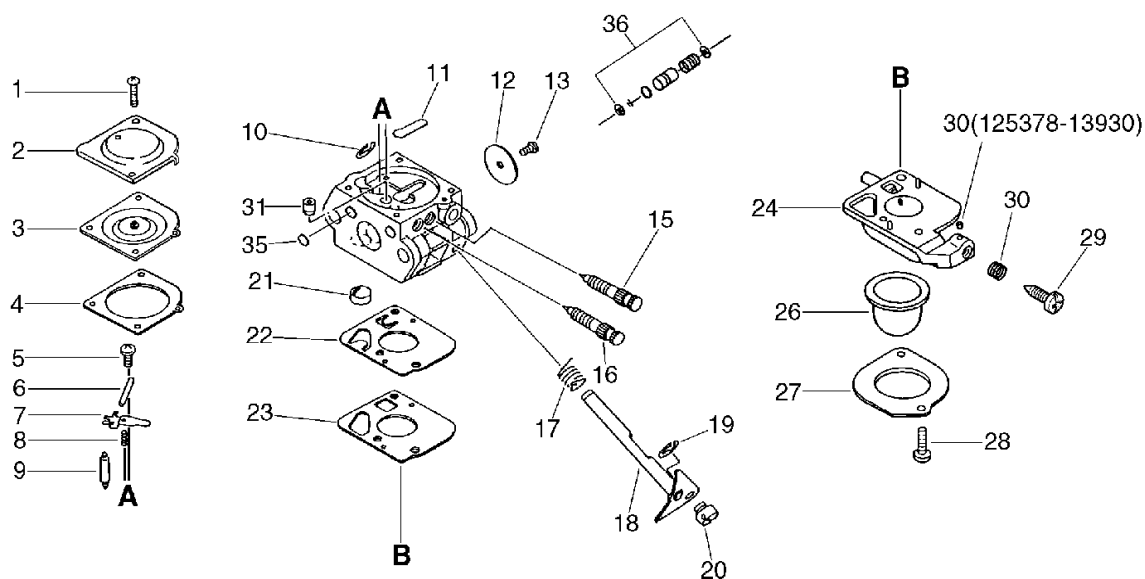
No.8



KEY	LV	PART NUMBER	Q'TY	DESCRIPTION	REMARKS	NOTE1	NOTE2
		125200-13311	1	CARBURETOR C1U-K52	C1U-K52	Sus. by 125200-13314	
		125200-13312	1	CARBURETOR	C1U-K52	Sus. by 125200-13314	
		125200-13313	1	CARBURETOR	C1U-K52	Sus. by 125200-13314	
		125200-13314	1	CARBURETOR	C1U-K52		
1	+	125344-52130	2	SCREW			
2	+	125342-13210	1	COVER, DIAPHRAGM			
3	+	125341-49030	1	DIAPHRAGM			
4	+	125340-51030	1	GASKET, DIAPHRAGM			
5	+	125339-42030	1	SCREW			
6	+	125338-13930	1	PIN, METERING ARM			
7	+	125323-42030	1	LEVER, METERING			
8	+	125322-42030	1	SPRING, COIL			
9	+	125337-06960	1	VALVE, INLET NEEDLE			
10	+	125327-15130	1	CLIP			
11	+	125345-15130	1	PLUG, WELCH			
12	+	125316-49030	1	VALVE, THROTTLE			
13	+	125314-13930	1	SCREW	3*4		
15	+	125318-13120	1	SCREW, IDLE NEEDLE			
16	+	125320-13310	1	NEEDLE, HIGH SPEED			
17	+	125313-42030	1	SPRING, THRT. RETURN			
18	+	125317-13310	1	SHAFT, THROTTLE			
19	+	125327-13930	1	CLIP			
20	+	125372-42030	1	SWIVEL			

8. Carburetor

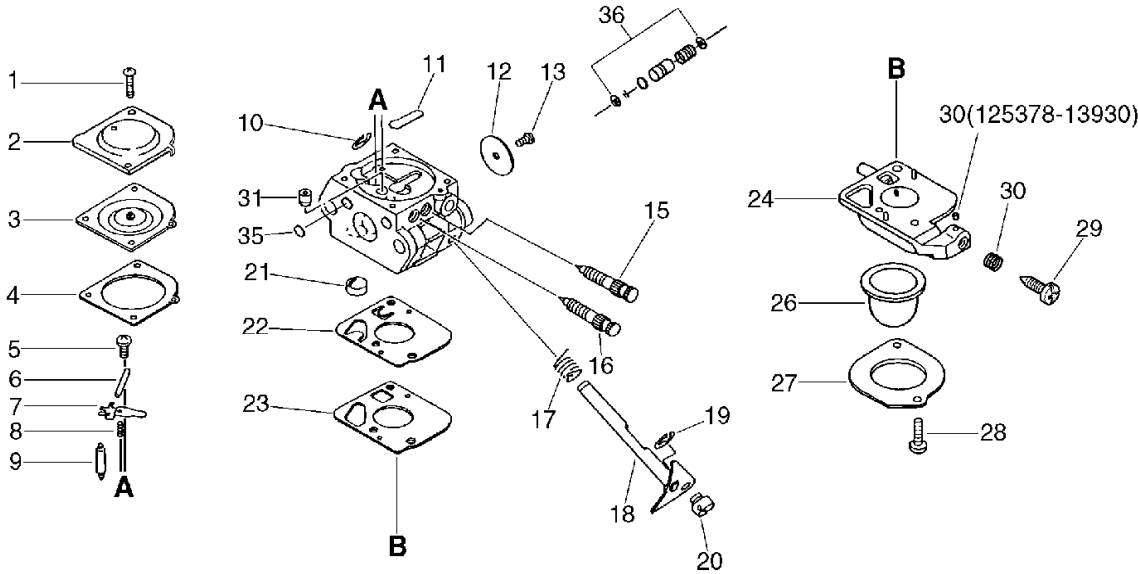
No.8



KEY	LV	PART NUMBER	Q'TY	DESCRIPTION	REMARKS	NOTE1	NOTE2
21	+	125326-42030	1	STRAINER			
22	+	125312-12820	1	DIAPHRAGM, FUEL PUMP			
23	+	125325-13310	1	GASKET, PUMP			
24	+	125383-13310	1	BASE, PRIMER		Sus. by P005-000590	
24	+	P005-000590	1	BASE,ASY PRIMER			
26	+	125381-08660	1	PUMP, PRIMING			
27	+	125363-11610	1	RING			
28	+	125310-11610	2	SCREW			
29	+	125334-13930	1	SCREW, IDLE ADJUST		Can be used on the 125200-13311 only	
29	+	125334-06960	1	SCREW, THROTTLE ADJUST		Can be used on the 125200-13312 only	
30	+	125378-13930	1	PIECE, FRICTION		Can be used on the 125200-13311 only	
30	+	125333-06960	1	SPRING, IDLE ADJUSTER		Can be used on the 125200-13312 only	
31	+	125376-13120	1	NOZZLE, CHECK VALVE			
35	+	125345-13310	1	PLUG, WELCH			
36	+	125306-13310	1	PUMP KIT, ACC.		Can be used on the 125200-13311 only	

8. Carburetor

No.8



KEY	LV	PART NUMBER	Q'TY	DESCRIPTION	REMARKS	NOTE1	NOTE2
36	+	125306-13120	1	PUMP KIT, ACC.		Can be used on the	
		125303-13310	1	DIAPHRAGM/GASKET KIT		125200-13312 only	
		125300-13310	1	REBUILD KIT			

Index

Patrs Number	Key No.	Patrs Number	Key No.	Patrs Number	Key No.
100000-48730	1 - 9	125327-15130	8 - 10	159011-03432	2 - 11
100000-48731	1 - 9	125333-06960	8 - 30	159012-01620	2 - 10
100000-48732	1 - 9	125334-06960	8 - 29	159116-21231	2 - 18
100011-05330	1 - 8	125334-13930	8 - 29	159912-48630	1 - 30
100012-51230	1 - 4	125337-06960	8 - 9	162010-06861	2 - 17
100013-11520	1 - 10	125338-13930	8 - 6	162010-52830	2 - 17
100014-11520	1 - 12	125339-42030	8 - 5	163400-03460	2 - 16
100015-04630	1 - 11	125340-51030	8 - 4	163810-44330	2 - 15
100100-44732	1 - 17	125341-49030	8 - 3	175000-49030	2 - 6
100100-54130	1 - 17	125342-13210	8 - 2	175000-56830	2 - 6
100204-52130	1 - 14	125344-52130	8 - 1	177200-54130	2 - 26
100204-52131	1 - 14	125345-13310	8 - 35	177202-44330	2 - 20
100204-52132	1 - 14	125345-15130	8 - 11	177202-44331	2 - 20
100212-42030	1 - 13	125363-11610	8 - 27	177215-44430	2 - 29
100212-42031	1 - 13	125372-42030	8 - 20	177218-44330	2 - 24
100215-03930	1 - 15	125376-13120	8 - 31	177220-42030	2 - 33
100242-42030	1 - 18	125378-13930	8 - 30	177226-10120	2 - 30
101010-44332	1 - 7	125381-08660	8 - 26	177227-42030	2 - 31
101011-06561	1 - 5	125383-13310	8 - 24	177228-06530	2 - 32
101011-06562	1 - 5	129011-52730	3 - 16	177234-42030	2 - 23
101503-56630	1 - 20	130010-42032	3 - 5	177236-44330	2 - 27
101514-48730	1 - 28	130016-42031	3 - 9	178001-44430	5 - 17
101514-48731	1 - 28	130017-42031	3 - 7	178001-56730	5 - 17
101531-54330	2 - 14	130307-06561	3 - 15	178010-48731	5 - 14
125200-13311	3 - 10	130310-54130	3 - 18	178043-06930	5 - 15
125200-13311	8 -	130313-06563	3 - 19	178110-05330	5 - 13
125200-13312	3 - 10	131004-55830	4 - 16	178113-55330	7 - 14
125200-13312	8 -	131005-46830	4 - 15	210417-52730	3 - 20
125200-13313	3 - 10	131005-46831	4 - 15	302029-55330	7 - 16
125200-13313	8 -	131016-55830	4 - 17	302029-55331	7 - 16
125200-13314	3 - 10	131205-07320	4 - 10	302029-55332	7 - 16
125200-13314	8 -	131300-56430	4 - 5	302410-52631	7 - 12
125300-13310	8 -	131312-39130	4 - 7	302424-52630	7 - 15
125303-13310	8 -	132010-13930	4 - 11	351201-08930	5 - 5
125306-13120	8 - 36	132010-56330	4 - 6	351213-44330	5 - 11
125306-13310	8 - 36	132013-09820	4 - 9	351330-08930	5 - 23
125310-11610	8 - 28	132115-46730	4 - 8	610013-44730	5 - 19
125312-12820	8 - 22	145510-42031	3 - 30	610206-55330	5 - 20
125313-42030	8 - 17	145800-54130	3 - 28	610217-55330	5 - 22
125314-13930	8 - 13	145862-40630	3 - 31	610225-55330	6 - 4
125316-49030	8 - 12	145863-54130	3 - 33	610225-55331	6 - 4
125317-13310	8 - 18	145866-42031	3 - 32	610239-04130	6 - 32
125318-13120	8 - 15	145871-44331	3 - 29	610246-55330	5 - 21
125320-13310	8 - 16	145876-42030	3 - 34	610250-55330	7 - 17
125322-42030	8 - 8	150112-44330	2 - 13	610300-52630	6 - 13
125323-42030	8 - 7	156601-52130	2 - 9	610313-07130	6 - 28
125325-13310	8 - 23	158626-55331	2 - 9	610313-07131	6 - 28
125326-42030	8 - 21	158800-20560	2 - 7	610313-07132	6 - 28
125327-13930	8 - 19	159010-10630	2 - 12	610314-04131	6 - 29

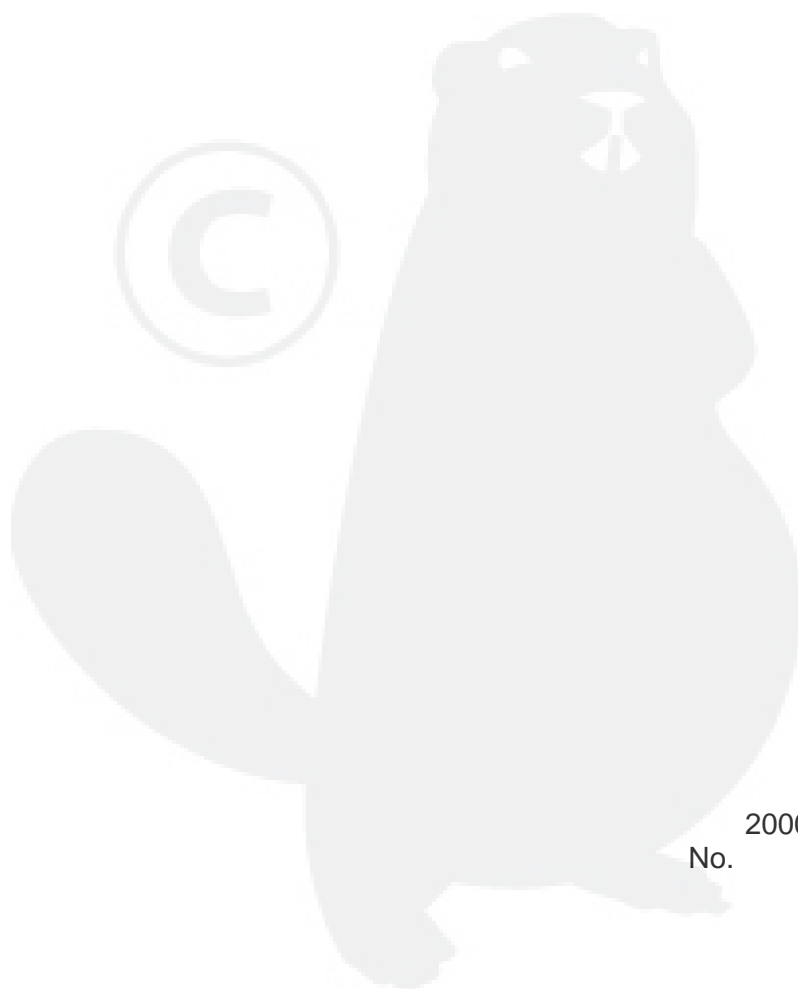
Index

Patrs Number	Key No.	Patrs Number	Key No.	Patrs Number	Key No.
610315-07130	6 - 25	900240-05025	5 - 12	P021-001100	1 - 9
610360-08931	6 - 23	900242-05010	6 - 17	P021-001101	1 - 9
610402-52630	6 - 6	900242-05065	3 - 17	P021-001102	1 - 9
610402-52631	6 - 6	900253-04012	1 - 26	P021-001180	2 - 38
610402-52632	6 - 6	900253-05016	1 - 29	P021-002861	6 - 48
610402-52633	6 - 6	900300-20022	6 - 31	P021-002921	3 - 15
610413-07130	6 - 26	900500-00005	3 - 6	V103-000111	3 - 9
610434-50030	6 - 16	900500-00005	5 - 6	V104-000001	3 - 32
610460-27430	6 - 20	900500-00005	5 - 9	V104-000003	3 - 32
610460-27431	6 - 20	900502-00006	5 - 18	V137-000030	4 - 8
696015-52632	7 - 4	900511-00010	6 - 30	V471-001190	4 - 11
699010-52630	7 - 5	900513-00010	6 - 30	V471-001200	4 - 7
699017-55330	7 - 18	900560-00005	5 - 10	V553-000010	1 - 4
699025-52630	7 - 8	900562-50005	7 - 7	V553-000030	1 - 4
890112-55330	1 - 27	900565-50005	1 - 25	X602-000020	6 - 46
890118-49130	2 - 36	900600-00005	3 - 37		
890121-06360	3 - 21	900600-00005	5 - 7		
890152-04930	5 - 24	900600-00005	6 - 14		
890160-25560	5 - 4	900602-00008	7 - 13		
890160-48030	5 - 4	900602-00010	7 - 24		
890160-48031	5 - 4	900603-00005	4 - 14		
890160-52630	7 - 23	900605-00008	7 - 10		
895112-00330	6 - 45	900700-00005	5 - 16		
895410-08030	6 - 46	900702-00022	6 - 8		
895612-03430	6 - 47	900702-00032	6 - 27		
897518-01131	6 - 44	900706-00010	6 - 22		
898502-01130	6 - 43	900706-00012	6 - 7		
899580-40930	6 - 48	900800-00609	6 - 21		
899580-68730	6 - 48	900810-06201	6 - 24		
900080-00100	7 - 11	900810-36201	1 - 16		
900080-00200	7 - 20	900855-06900	6 - 10		
900080-00300	7 - 9	900858-06900	6 - 9		
900100-05030	6 - 15	A011-000000	1 - 17		
900105-05055	3 - 36	A011-000001	1 - 17		
900142-05028	1 - 22	A011-000002	1 - 17		
900162-04016	1 - 31	A101-000000	1 - 8		
900162-04016	2 - 35	A130-000010	1 - 5		
900162-04018	1 - 21	A130-000011	1 - 5		
900162-04022	2 - 8	A313-000000	3 - 33		
900162-05022	1 - 6	A320-000250	3 - 29		
900162-05022	7 - 6	A320-000251	3 - 29		
900162-05028	1 - 19	A356-000030	4 - 5		
900163-04016	1 - 31	A409-000000	2 - 7		
900163-04016	2 - 35	C450-000070	5 - 14		
900163-04018	1 - 21	C730-000030	7 - 12		
900220-05040	5 - 8	P005-000590	8 - 24		
900238-04010	3 - 35	P021-000312	3 - 28		
900238-05016	4 - 12	P021-000313	3 - 28		
900238-05020	3 - 8	P021-000314	3 - 28		

YAMABIKO CORPORATION

7-2 SUEHIROCHO 1-CHOME, OHME, TOKYO 198-8760, JAPAN
PHONE: 81-428-32-6118. FAX: 81-428-32-6145.

ECHO®



2000
No.