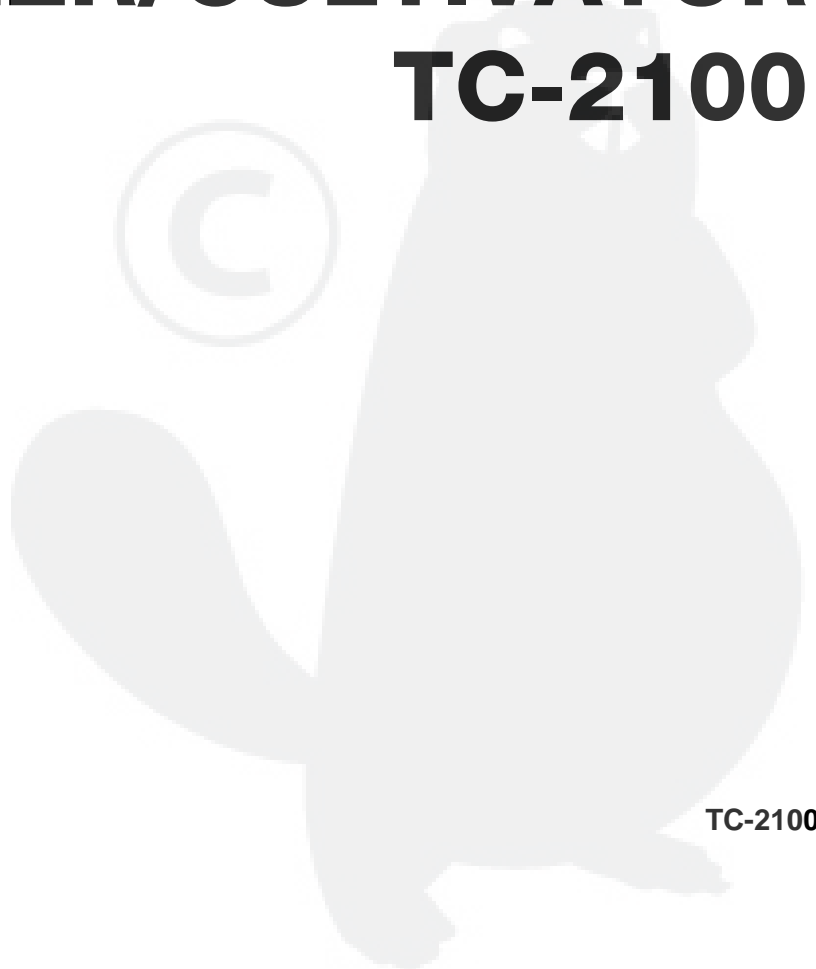
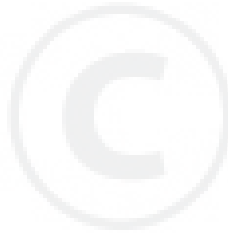




PARTS CATALOG

TILLER/CULTIVATOR

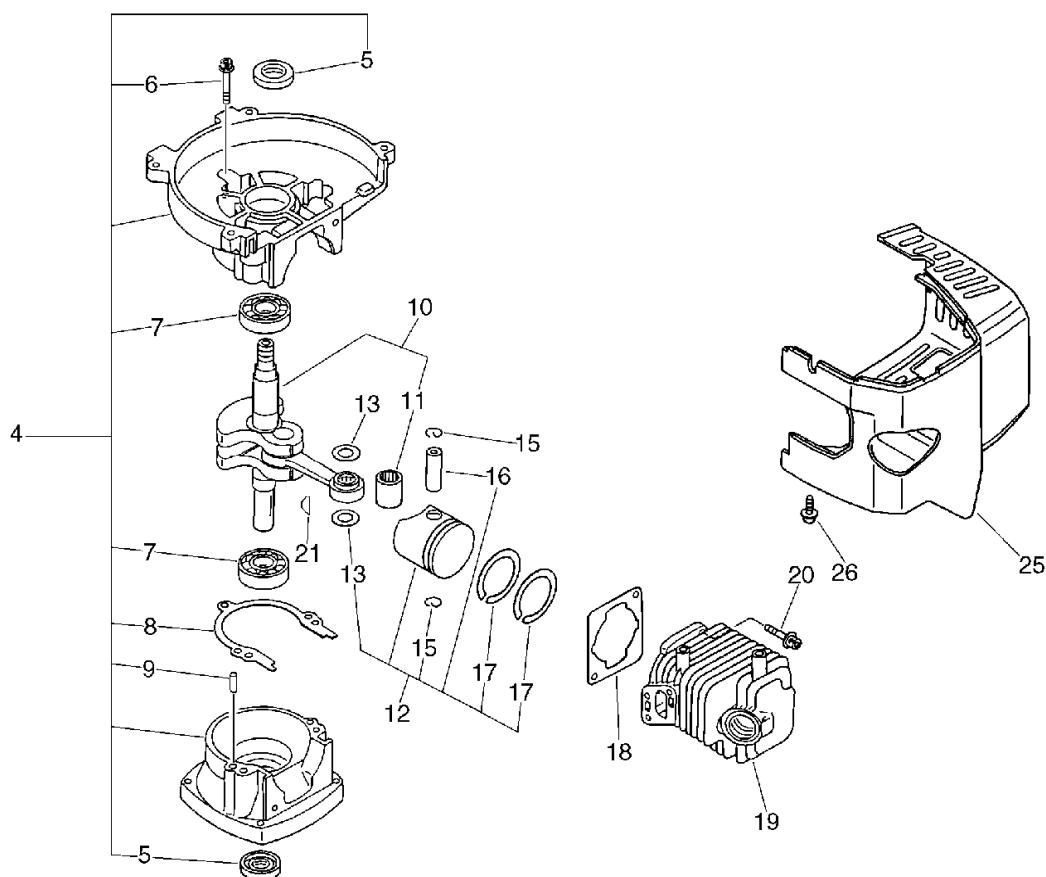
TC-2100



TC-2100

1. Cylinder, Crankcase, Piston

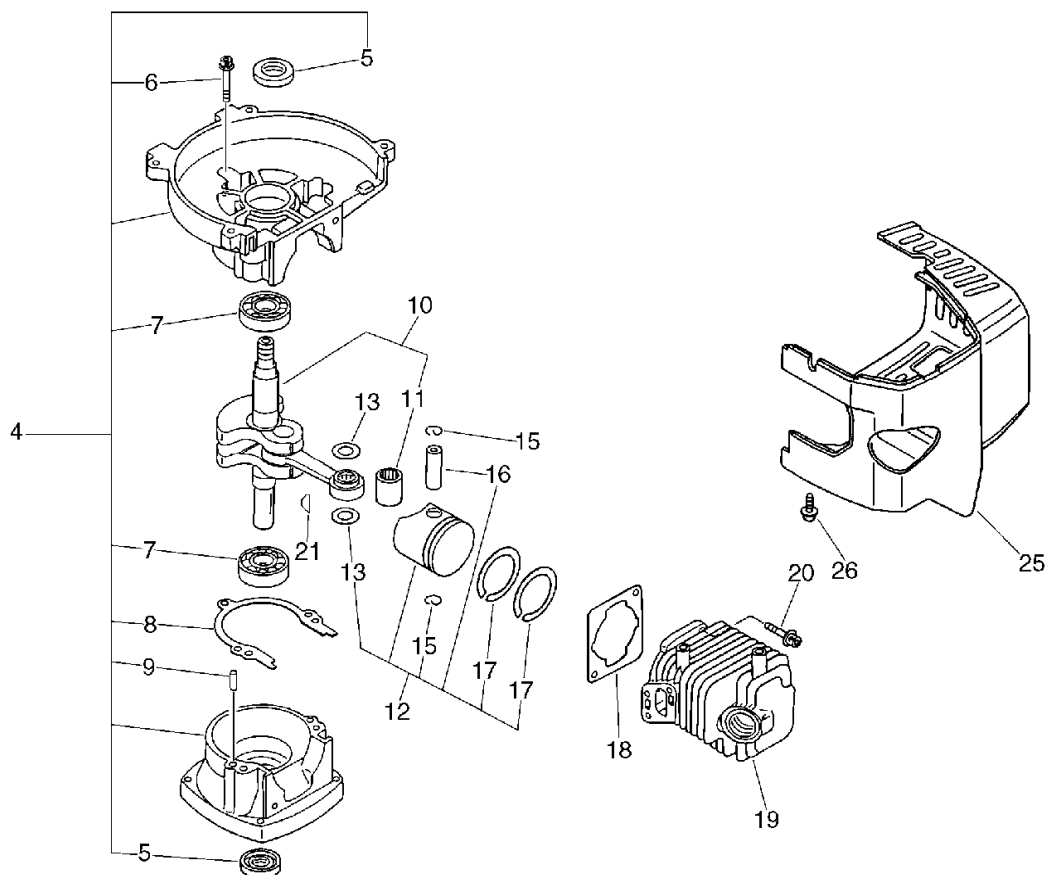
No.1



KEY	LV	PART NUMBER	Q'TY	DESCRIPTION	REMARKS	NOTE1	NOTE2
4		100204-11520	1	CRANKCASE KIT		Sus. by 100204-11521	
4		100204-11521	1	CRANKCASE KIT			
5	+	100212-42030	2	OILSEAL	ISCD12*22*4.5	Sus. by 100212-42031	
5	+	100212-42031	2	OILSEAL	ISCD 12*22*4.5		
6	+	900162-05028	3	BOLT, H.S. 5*28	5*28 W,SW		
7	+	900810-36201	2	BEARING, BALL 6201	6201/C3	Sus. by 94035-36201	
7	+	94035-36201	2	BEARING BALL	6201X3JR2C3		
8	+	100242-42030	1	GASKET, CRANKCASE			
9	+	100215-03930	2	PIN, DOWEL			
10		100100-13120	1	CRANKSHAFT ASSY		Sus. by 100100-13121	
10		100100-13121	1	CRANKSHAFT			
11	+	100012-51230	1	BEARING, NEEDLE	8*12*10	Sus. by V553-000010	
11	+	V553-000010	1	BEARING,NEEDLE 8	HK0810		
12		100000-48732	1	PISTON KIT		Sus. by P021-001102	
12		P021-001101	1	PISTON KIT		Sus. by P021-001102	
12		P021-001102	1	PISTON KIT			
13	+	100014-11520	2	SPACER, PISTON PIN			
15	+	100015-04630	2	CIRCLIP, PISTON PIN			

1. Cylinder, Crankcase, Piston

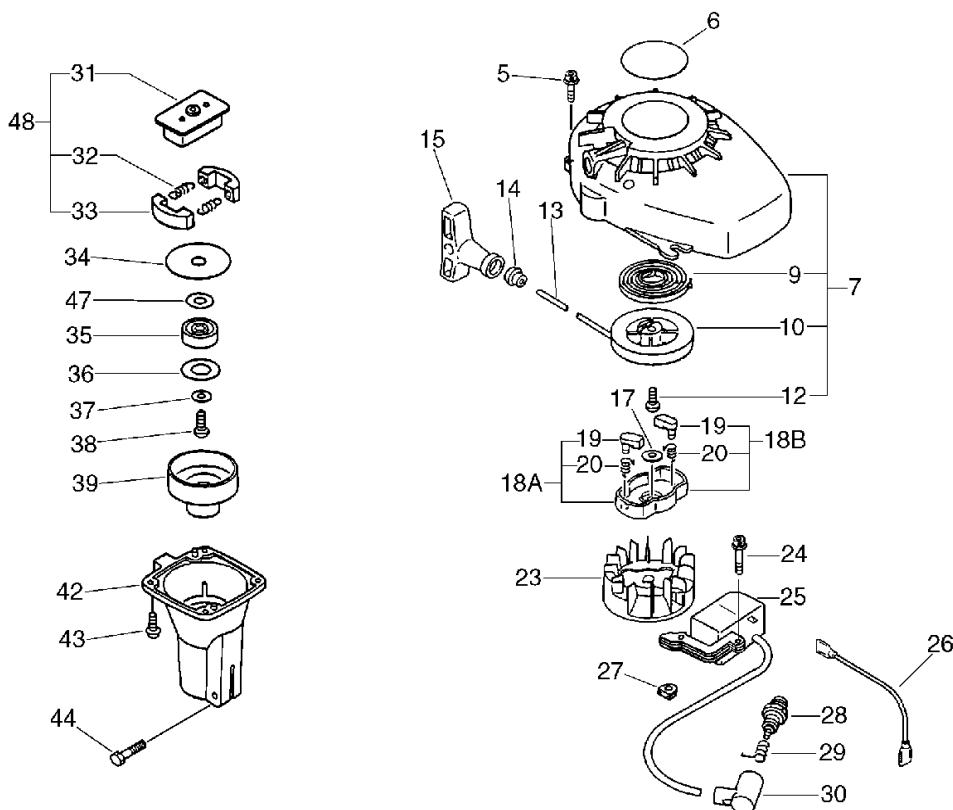
No.1



KEY	LV	PART NUMBER	Q'TY	DESCRIPTION	REMARKS	NOTE1	NOTE2
16	+	100013-11520	1	PIN, PISTON			
17	+	100011-05330	2	RING, PISTON		Sus. by A101-000000	
17	+	A101-000000	2	RING, PISTON			
18		101010-44332	1	GASKET, CYL. BASE			
19		101011-06562	1	CYLINDER			
20		900162-05022	2	BOLT, H.S. 5*22	5*22 W,SW		
21		610325-02730	1	KEY, WOODRUFF			
25		101506-13120	1	COVER, CYLINDER		Sus. by 101506-13121	
25		101506-13121	1	COVER, CYLINDER			
26		900238-04018	2	SCREW 4*18	4*18		

2. Starter, Magneto, Clutch

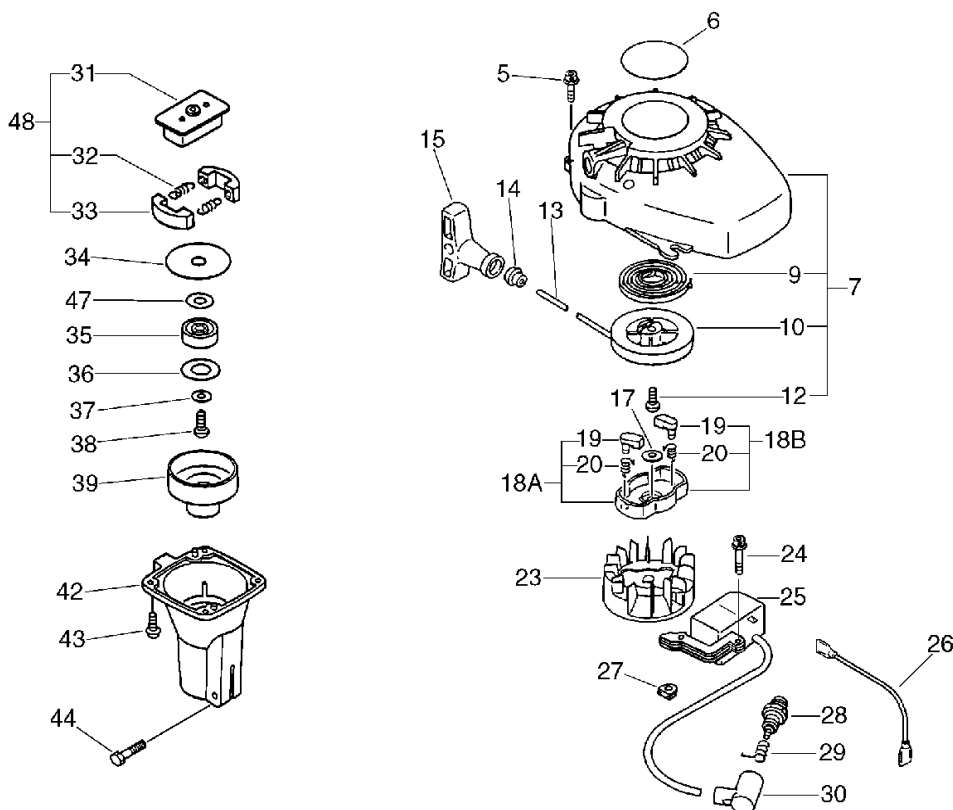
No.2



KEY	LV	PART NUMBER	Q'TY	DESCRIPTION	REMARKS	NOTE1	NOTE2
5		900238-04016	4	SCREW 4*16	4*16		
6		890118-49130	1	LABEL, ECHO			
7		177200-12220	1	STARTER ASY		Sus. by 177200-12221	
7		177200-12221	1	STARTER ASY			
9	+	177220-42030	1	SPRING, REWIND			
10	+	177215-44430	1	DRUM, STARTER			
12	+	177236-44330	1	SCREW			
13	+	177226-05530	1	ROPE, STARTER	3*890		
14	+	177227-42030	1	GUIDE, ROPE			
15	+	177228-11120	1	GRIP, STARTER			
17		900605-00008	1	WASHER, SPRING 8	8		
18		177202-12220	1	PAWL ASSY, STARTER			
19	+	177218-44330	2	PAWL, STARTER	BLACK		
20	+	177234-12220	2	SPRING, PAWL			
23		156801-44330	1	FLYWHEEL		Sus. by 156801-05360	
23		156801-05360	1	ROTOR, MAGNETO			
24		900162-04022	2	BOLT, H.S. 4*22	4*22 W,SW		
25		156626-11820	1	COIL, IGNITION		Sus. by set of 156626-05360 and 162010-52830	
25		156626-05360	1	COIL, IGNITION		Sus. by 156601-52130	
25		156601-52130	1	COIL, IGNITION			

2. Starter, Magneto, Clutch

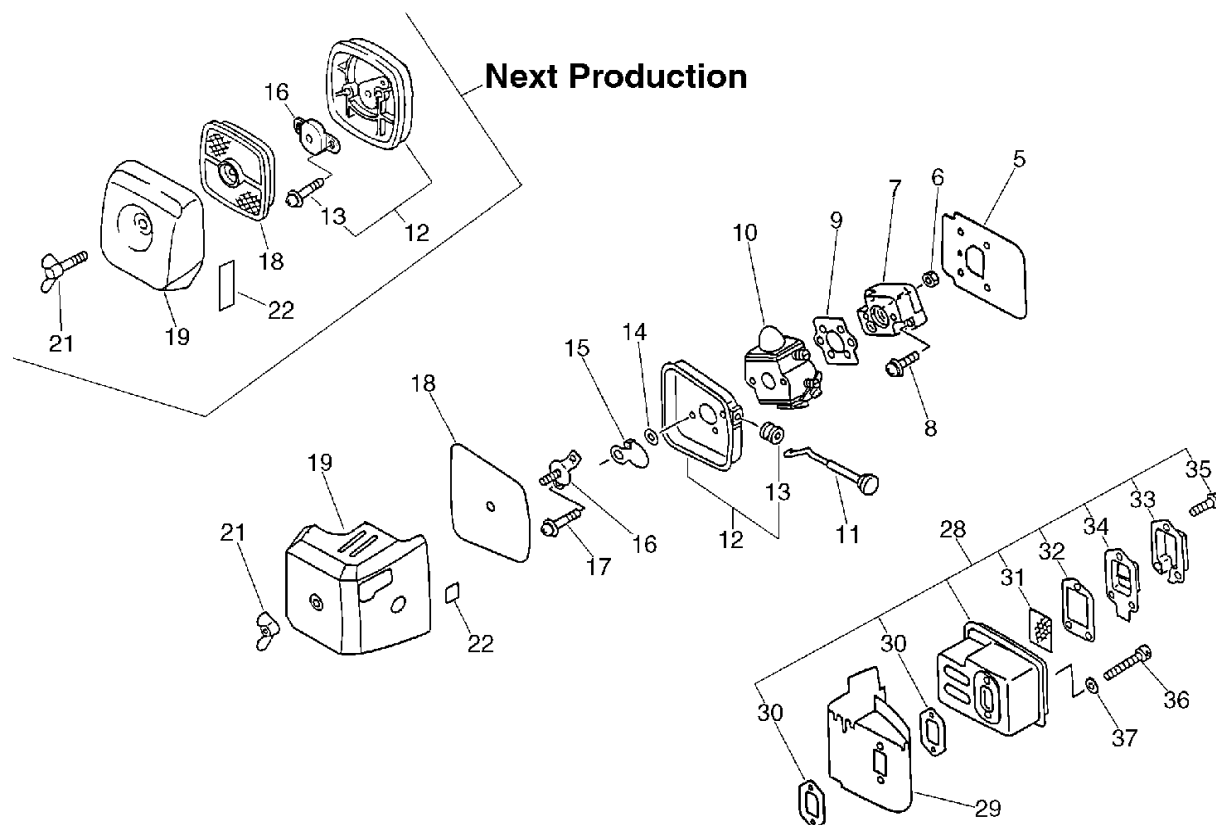
No.2



KEY	LV	PART NUMBER	Q'TY	DESCRIPTION	REMARKS	NOTE1	NOTE2
25		A411-000080	1	COIL,IGNITION		Next Production	
26		162010-52830	1	LEAD, GROUND		Sus. by 162021-52830	
26		162021-52830	1	LEAD	275L		
27		156110-04920	1	BUSHING			
28		159017-12330	1	PLUG, SPARK (RCJ-8Y)	RCJ-8Y		
29		159011-03432	1	COIL, SPARK PLUG			
30		159012-03433	1	CAP, SPARK PLUG			
48		175000-07531	1	CLUTCH ASSY			
31	+	175016-05020	1	HUB, CLUTCH			
32	+	175018-05130	2	SPRING, CLUTCH			
33	+	175009-05131	2	SHOE, CLUTCH			
34		175019-04630	1	PLATE, CLUTCH			
35		900808-36000	1	BEARING, BALL 6000	6000VV/C3		
36		175044-04630	1	WASHER, CLUTCH			
37		175014-11520	1	WASHER, CLUTCH	6.2*13*1.6		
38		900238-06012	1	SCREW 6*12	6*12		
39		175010-04633	1	DRUM, CLUTCH		Sus. by 175010-04634	
39		175010-04634	1	DRUM, CLUTCH			
42		610223-11520	1	CASE, CLUTCH			
43		900238-04014	2	SCREW 4*14	4*14		
44		130416-11520	1	BOLT	5*25		
47		900600-00010	1	WASHER 10	10		

3. Air Cleaner, Muffler

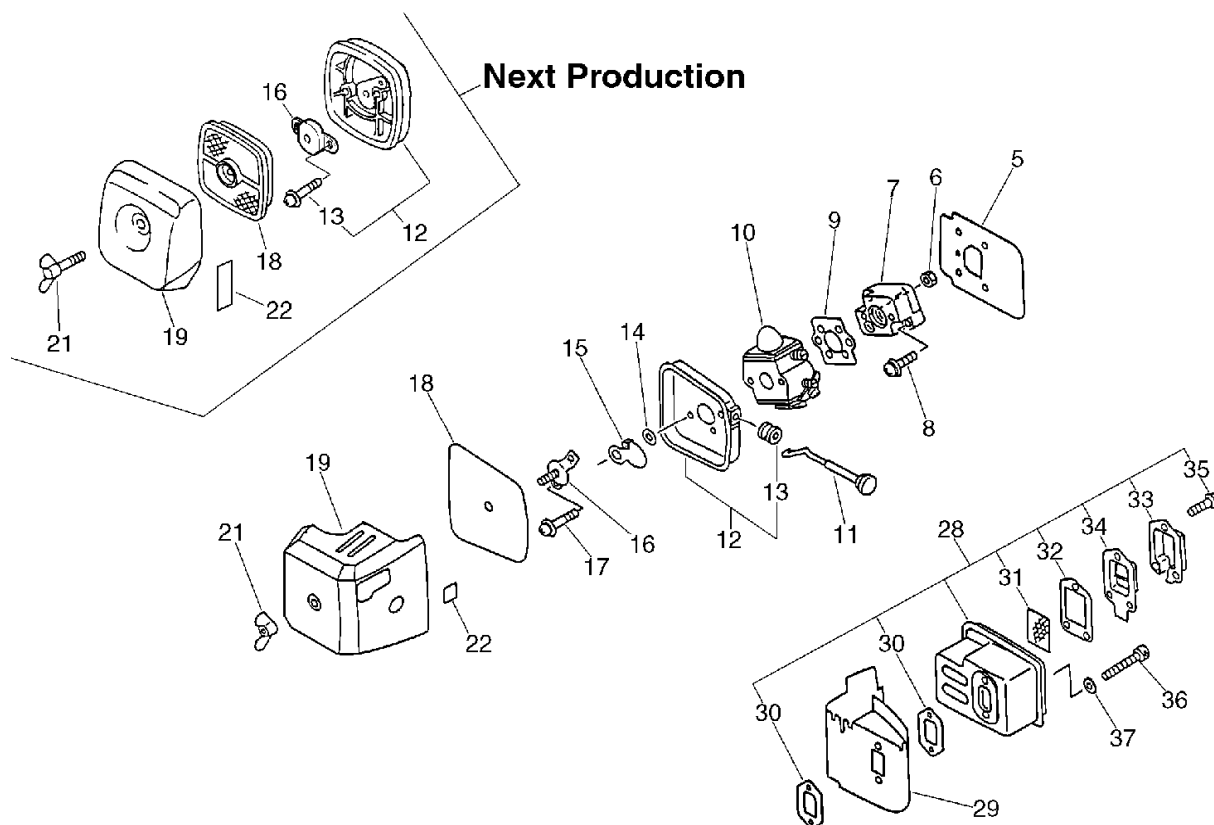
No.3



KEY	LV	PART NUMBER	Q'TY	DESCRIPTION	REMARKS	NOTE1	NOTE2
5		130010-42032	1	GASKET,INTAKE			
6		900500-00005	2	NUT 5	5		
7		130017-42031	1	INSULATOR, INTAKE			
8		900238-05020	2	SCREW 5*20	5*20		
9		V103-000111	1	GASKET,INTAKE		Sus. by 130016-42031	
9		130016-42031	1	GASKET, INTAKE			
10		125200-13121	1	CARBURETOR ASSY	C1U-K54	Sus. by 125200-13125	
10		125200-13122	1	CARBURETOR	C1U-K54	Sus. by 125200-13125	
10		125200-13123	1	CARBURETOR C1U-K54	C1U-K54	Sus. by 125200-13125	
10		125200-13124	1	CARBURETOR	C1U-K54A	Sus. by 125200-13125	
10		125200-13125	1	CARBURETOR	C1U-K54A		
11		178510-48830	1	ROD, CHOKE			
12		130301-04560	1	CASE, AIR CLEANER			
12		130307-06561	1	CASE, AIR CLEANER		Sus. by P021-002921	
12		P021-002921	1	CASE, AIR CLEANER		Next Production	
13	+	178810-05230	1	GROMMET			
13	+	900242-05065	1	SCREW 5*65	5*65	Next Production	
14		178516-00830	1	SPACER	5.2*8*0.8T		

3. Air Cleaner, Muffler

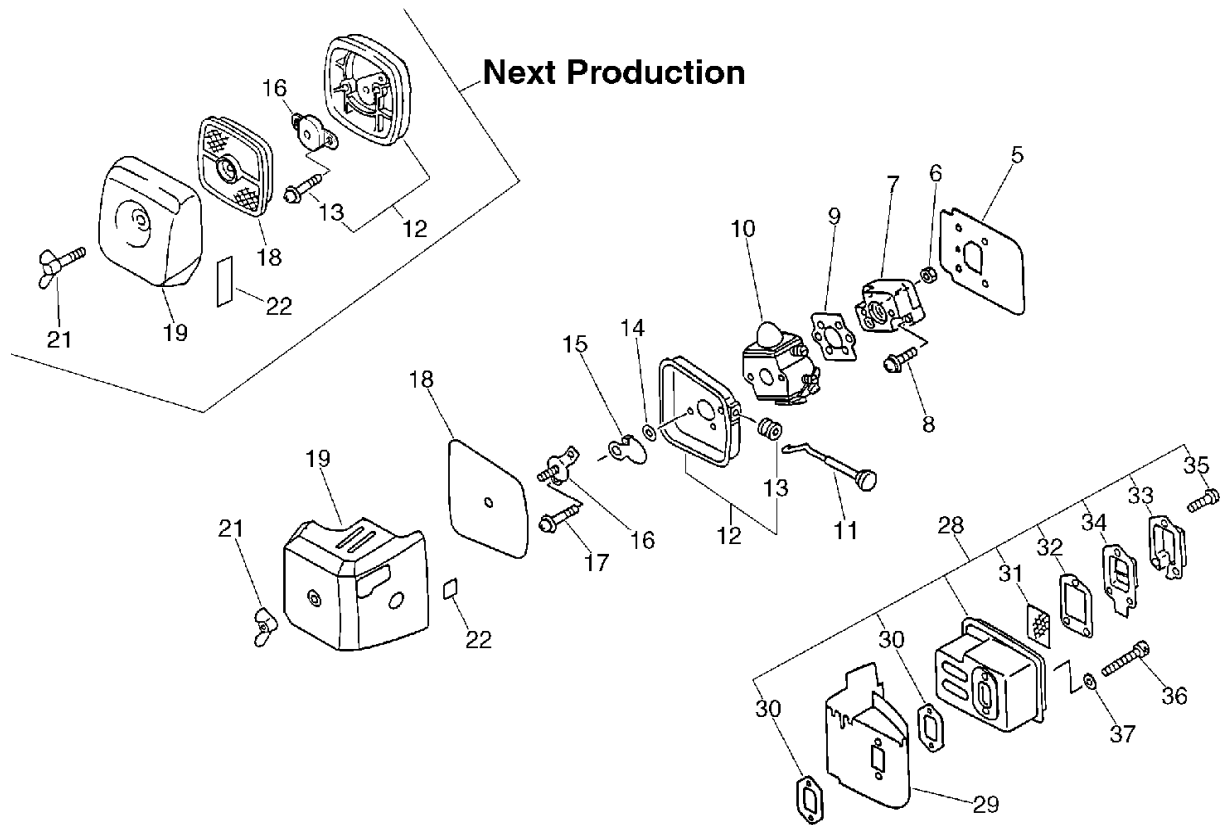
No.3



KEY	LV	PART NUMBER	Q'TY	DESCRIPTION	REMARKS	NOTE1	NOTE2
15		178515-04560	1	SHUTTER, CHOKE			
16		130410-05360	1	BRACKET, AIR CLEANER			
16		129011-52730	1	PLATE, PREVENT		Next Production	
17		900242-05057	2	SCREW 5*57	5*57		
18		130310-04560	1	FILTER, AIR			
18		130310-54130	1	FILTER, AIR		Next Production	
19		130326-12822	1	COVER, AIR CLEANER			
19		130313-06563	1	LID, AIR CLEANER		Next Production	
21		900528-00005	1	NUT	5		
21		210417-52730	1	BOLT, WING	5*20	Next Production	
22		890121-47530	1	LABEL, CHOKE			
22		890121-05360	1	LABEL, METERING		Next Production	
28		145800-11821	1	MUFFLER ASSY			
30	+	145510-42031	2	GASKET, MUFFLER		Sus. by V104-000160	
30	+	V104-000160	2	GASKET, EXHAUST			
31	+	145862-40630	1	SCREEN, MUFFLER			
32	+	145866-42031	1	GASKET, MUFFLER LID			
33	+	145863-11520	1	HOLDER, SCREEN			
34	+	145876-42030	1	LID, MUFFLER (B)			
35	+	900242-04010	3	SCREW 4*10	4*10		

3. Air Cleaner, Muffler

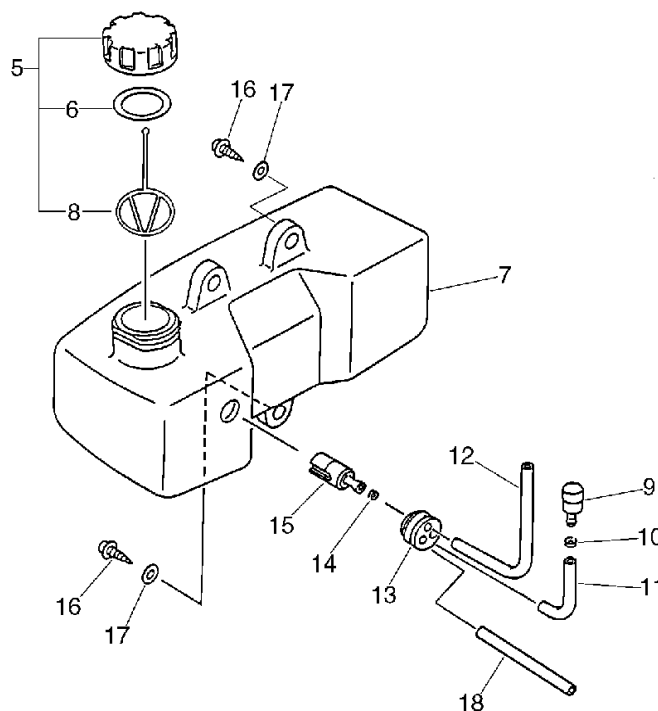
No.3



KEY	LV	PART NUMBER	Q'TY	DESCRIPTION	REMARKS	NOTE1	NOTE2
29		145871-05360	1	COVER, MUFFLER			
36		900105-05050	2	BOLT, H.S. 5*50	5*50		
37		900600-00005	2	WASHER 5	5		

4. Fuel Tank

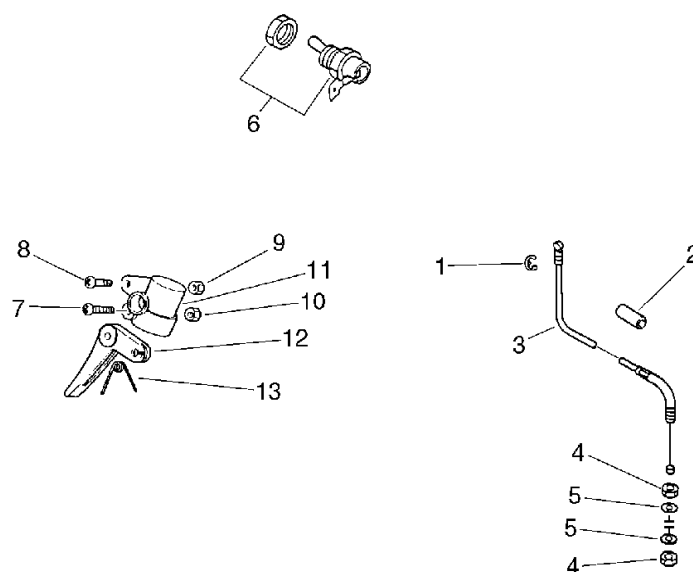
No.4



KEY	LV	PART NUMBER	Q'TY	DESCRIPTION	REMARKS	NOTE1	NOTE2
5		131004-55530	1	CAP ASSY, FUEL TANK			
6	+	131016-55830	1	GASKET, FUEL CAP			
8	+	131051-56030	1	CLIP, FUEL CAP	100L		
7		131005-11820	1	TANK, FUEL		Sus. by 131005-11821	
7		131005-11821	1	TANK, FUEL			
9		131300-56430	1	VALVE, CHECK			
10		130111-00530	1	CLIP	5.5		
11		131312-44330	1	PIPE, 3*5*70L	3*5*70L NBR	Sus. by V471-001200	
11		V471-001200	1	PIPE	3*5*70 NBR		
12		132010-11520	1	PIPE, 3*5*210	3*5*210 NBR	Sus. by V471-001230	
12		V471-001230	1	PIPE	3*5*210 NBR		
13		132115-46730	1	GROMMET, FUEL		Sus. by V137-000030	
13		V137-000030	1	GROMMET, FUEL			
14		132013-09820	1	CLIP	6MM		
15		131205-07320	1	STRAINER, FUEL			
16		900250-05016	3	SCREW 5*16	5*16	Sus. by 900275-05015	
17		900603-00005	3	WASHER 5	5.5*12*0.8	Sus. by 900275-05015	
16		900275-05015	3	SCREW 5*15	5*15		
18		132010-49030	1	PIPE, 3*6*50	3*6*50 YL		

5. Throttle

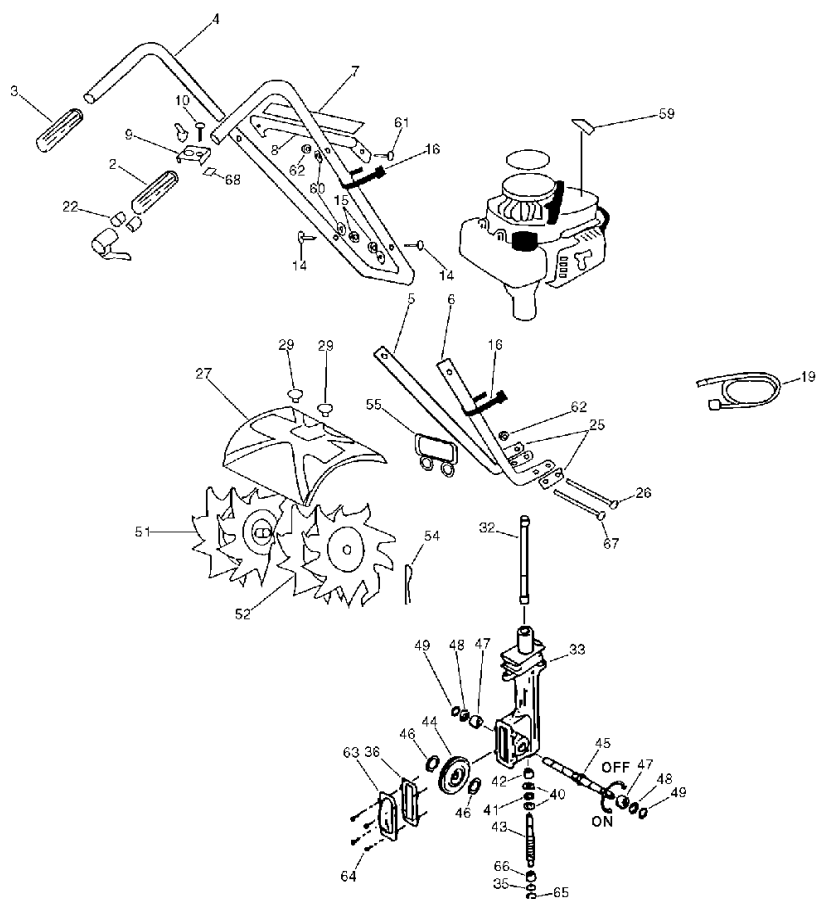
No.5



KEY	LV	PART NUMBER	Q'TY	DESCRIPTION	REMARKS	NOTE1	NOTE2
1		900700-07032	1	E-RING 7/32	(7/32		
2		178127-50330	1	TUBE	10*11*140		
3		178001-11520	1	WIRE, THROTTLE (A)			
4		900502-00006	2	NUT 6 (3N)	3N6		
5		900610-00006	2	LOCKWASHER 6	TWA6		
6		163400-02160	1	SWITCH, IGNITION			
7		900220-05028	1	SCREW 5*28	5*28	Sus. by 900220-05025	
7		900220-05025	1	SCREW 5*25	5*25		
8		178110-05330	1	SCREW			
9		900500-00005	1	NUT 5	5		
10		900560-00005	1	NUT, LOCK 5	5		
11		178024-08730	1	BRACKET, THROTTLE BL			
12		178010-06460	1	THROTTLE, TRIGGER			
13		178043-05230	1	SPRING, THR. RETURN			

6. Tiller, Cultivator

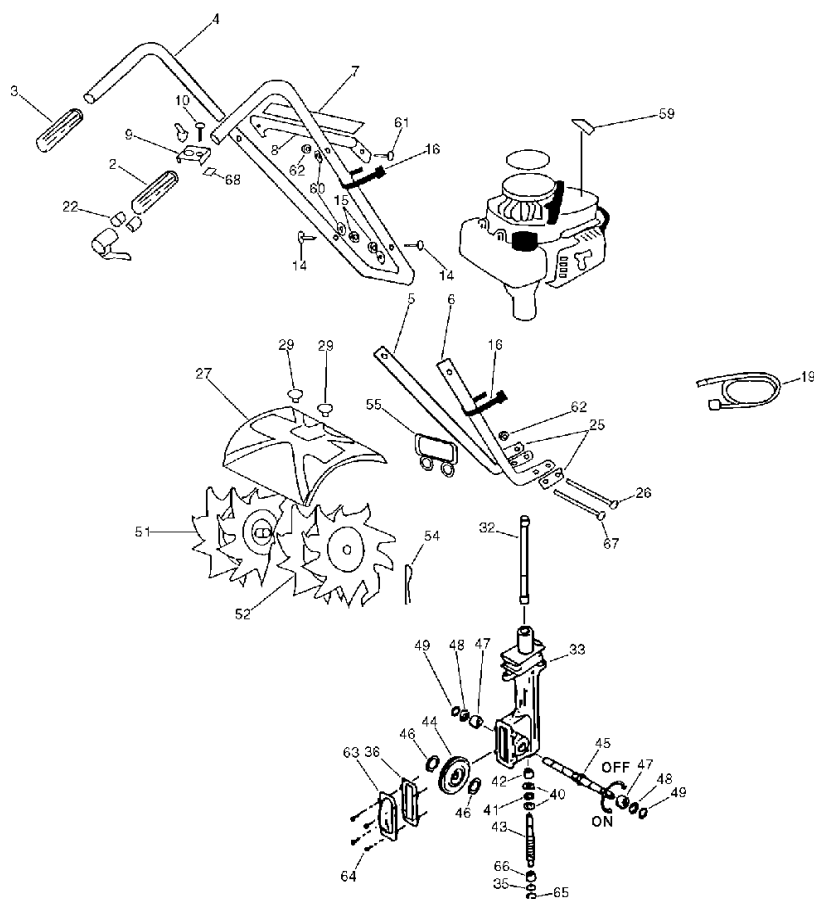
No.6



KEY	LV	PART NUMBER	Q'TY	DESCRIPTION	REMARKS	NOTE1	NOTE2
2		351315-04230	1	GRIP, HANDLE			
3		351311-02330	1	GRIP, HANDLE			
4		351010-13351	1	HANDLE, UPPER			
5		351210-13350	1	HANDLE, LOWER (L)			
6		351110-13350	1	HANDLE, LOWER (R)			
7		890617-11760	1	LABEL, CAUTION			Sus. by 890617-11761
7		890617-11761	1	LABEL, CAUTION			
8		351312-13350	1	BRACKET, HANDLE			
9		163810-13350	1	BRACKET, SWITCH			
10		900253-05010	1	SCREW 5*10	5*10		
14		900018-08040	2	BOLT 1/4*1 1/4	1/4*1 1/4		
15		900032-08032	2	NUT 1/4	1/4		
16		178121-10050	2	BAND	CV-150		
19		162010-13350	1	LEAD, GROUND			Sus. by V485-000251
19		V485-000251	1	LEAD			
22		178111-13350	1	CLIP			
25		694011-13350	2	HOLDER, ROTOR COVER			
26		900017-08096	1	BOLT 1/4*3	1/4*3		
27		694010-13351	1	SHIELD, BLADE			
29		900021-08016	2	BOLT 1/4*1/2	1/4*1/2		
32		605310-12350	1	SHAFT, DRIVE			
33		605410-12350	1	HOUSING, GEAR			
35		605511-12350	1	PLUG			
36		605412-12350	1	GASKET, GEAR HOUSING			

6. Tiller, Cultivator

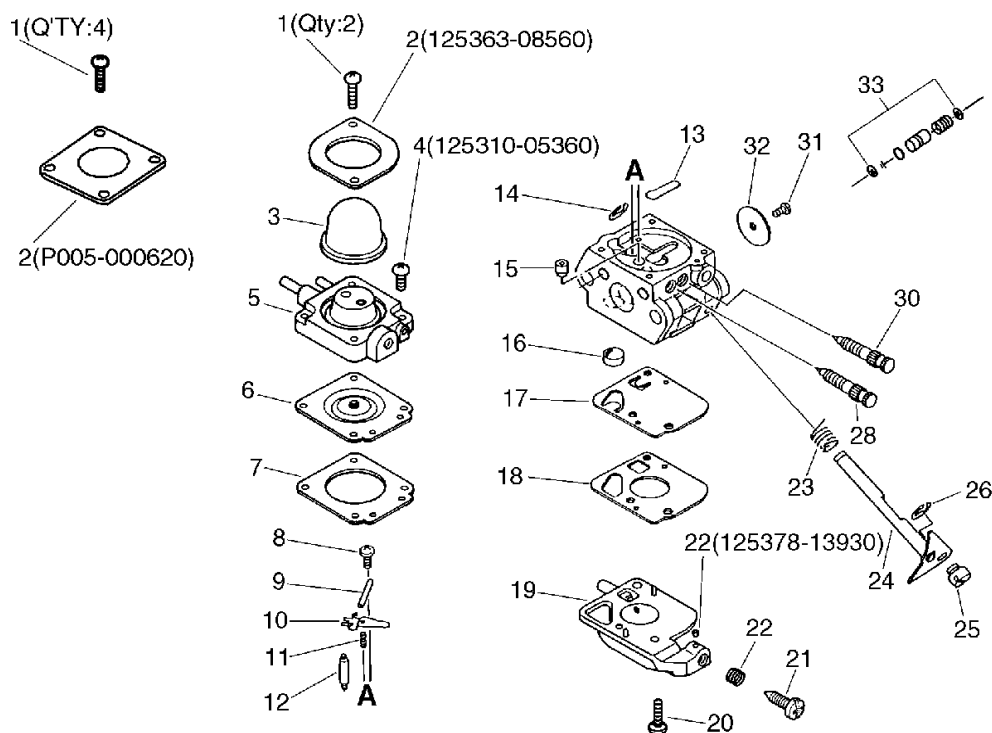
No.6



KEY	LV	PART NUMBER	Q'TY	DESCRIPTION	REMARKS	NOTE1	NOTE2
40		605324-13350	2	WASHER			
41		605433-13350	1	BEARING, THRUST			
42		605418-13350	2	BEARIBG, NEEDLE			
43		605313-13350	1	GEAR, WORM			
44		605315-13350	1	WHEEL, WORM GEAR			
45		605314-13350	1	SHAFT, WORM WHEEL			
46		605316-13350	2	SIDE PLATE			
47		604221-13350	2	BEARING, NEEDLE			
48		605417-13350	2	OILSEAL			
49		605428-13350	2	RETAINER, SEAL			
51		690011-13350	1	ROTOR, CULTI (L)			
52		690010-13350	1	ROTOR, CULTI (R)			
54		605612-13350	2	PIN, SNAP 3/8			
55		305811-13350	1	HANDLE, FRONT			
59		890112-11760	1	LABEL, MODEL			
60		163892-13350	4	WASHER, SPRING			
61		900017-08040	2	BOLT 1/4*1 1/4	1/4*1 1/4		
62		900031-00008	4	LOCKNUT 1/4	1/4		
63		660020-12350	1	COVER, GEAR CASE			
64		900082-00100	4	SCREW, TAPPING	8-32*1/2		
65		900702-00015	1	CIRCLIP 15	CR-15		
66		605418-12350	1	BEARING, NEEDLE			
67		900017-08104	1	BOLT 1/4*3	1/4*3		
68		890157-39130	1	LABEL, SWITCH			

7. Carburetor

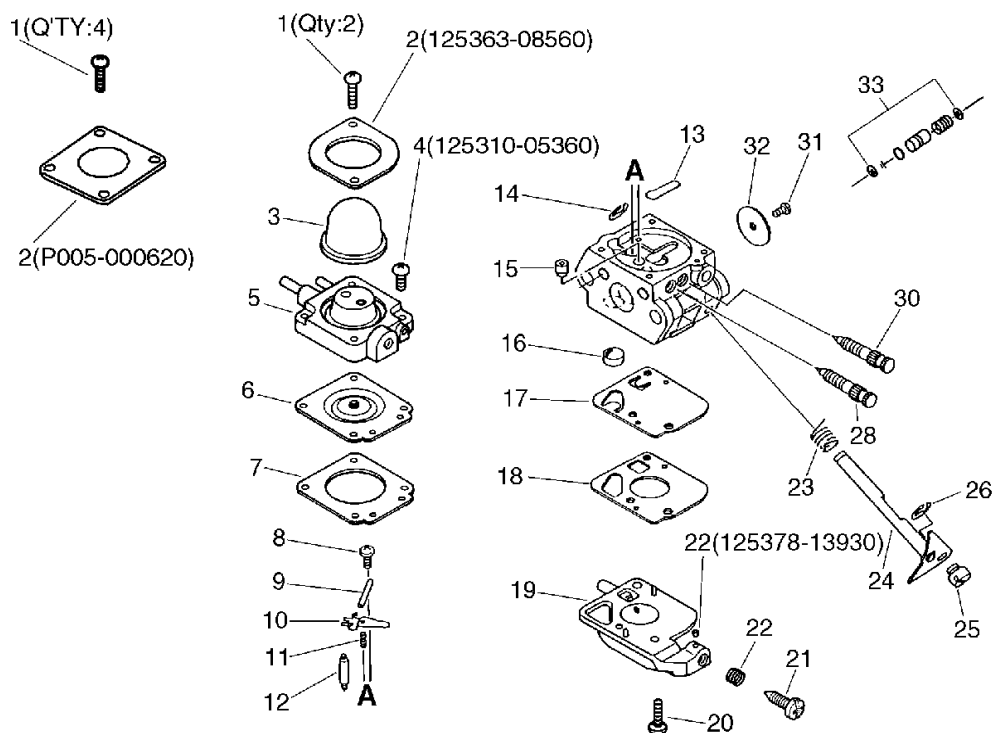
No.7



KEY	LV	PART NUMBER	Q'TY	DESCRIPTION	REMARKS	NOTE1	NOTE2
		125200-13121	1	CARBURETOR ASSY	C1U-K54	Sus. by 125200-13125	
		125200-13122	1	CARBURETOR	C1U-K54	Sus. by 125200-13125	
		125200-13123	1	CARBURETOR C1U-K54	C1U-K54	Sus. by 125200-13125	
		125200-13124	1	CARBURETOR	C1U-K54A	Sus. by 125200-13125	
		125200-13125	1	CARBURETOR	C1U-K54A		
1	+	125344-05360	2	SCREW		Can be used on the 125200-13121,-13122	
1	+	125344-05360	4	SCREW		Sus. by P005-000980	
1	+	P005-000980	4	SCREW		Can be used on the 125200-13123, -13124	
2	+	125363-08560	1	RING		Can be used on the 125200-13121,-13122	
2	+	P005-000620	1	RETAINER		Can be used on the 125200-13123	
3	+	125381-08660	1	PUMP, PRIMING			

7. Carburetor

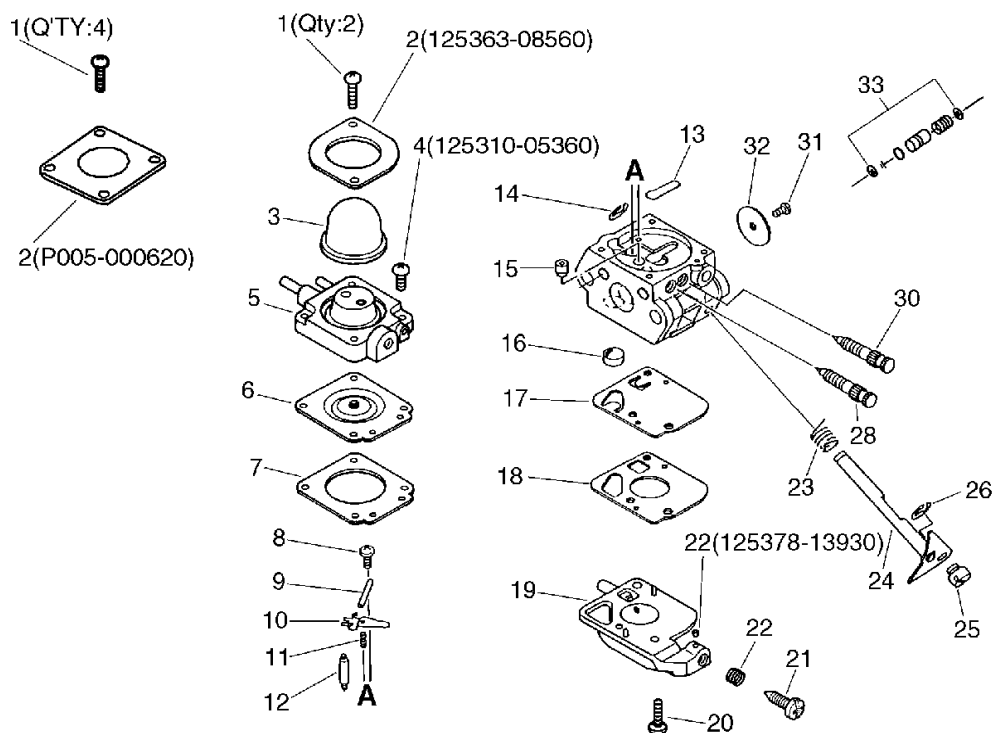
No.7



KEY	LV	PART NUMBER	Q'TY	DESCRIPTION	REMARKS	NOTE1	NOTE2
4	+	125310-05360	2	SCREW		Can be used on the 125200-13121,-13122	
5	+	125383-05360	1	BASE, PRIMER		Can be used on the 125200-13121,-13122	
5	+	P005-000600	1	BASE, PRIMER		Sus. by P005-000970	
5	+	P005-000970	1	BASE, PRIMER		Can be used on the 125200-13123, -13124	
6	+	125341-07360	1	DIAPHRAGM			
7	+	125340-20560	1	GASKET, DIAPHRAGM			
8	+	125339-42030	1	SCREW			
9	+	125338-13930	1	PIN, METERING ARM			
10	+	125323-42030	1	LEVER, METERING			
11	+	125322-42030	1	SPRING, COIL			
12	+	125337-06960	1	VALVE, INLET NEEDLE			
13	+	125345-15130	1	PLUG, WELCH			
14	+	125327-15130	1	CLIP			
15	+	125376-13120	1	NOZZLE, CHECK VALVE			
16	+	125326-42030	1	STRAINER			
17	+	125312-12820	1	DIAPHRAGM, FUEL PUMP			
18	+	125325-13310	1	GASKET, PUMP			
19	+	125324-12820	1	COVER, PUMP			

7. Carburetor

No.7



KEY	LV	PART NUMBER	Q'TY	DESCRIPTION	REMARKS	NOTE1	NOTE2
20	+	125310-12820	2	SCREW			
21	+	125334-13930	1	SCREW, IDLE ADJUST		Can be used on the 125200-13121	
21	+	125334-06960	1	SCREW, THROTTLE ADJUST		Can be used on the 125200-13122,-13123	
22	+	125378-13930	1	PIECE, FRICTION		Can be used on the 125200-13121	
22	+	125333-06960	1	SPRING, IDLE ADJUSTER		Can be used on the 125200-13122,-13123	
23	+	125313-42030	1	SPRING, THRT. RETURN			
24	+	125317-13310	1	SHAFT, THROTTLE		Sus. by P005-001070	
24	+	P005-001070	1	SHAFT, THROTTLE			
25	+	125372-42030	1	SWIVEL			
26	+	125327-13930	1	CLIP			
28	+	125320-13310	1	NEEDLE, HIGH SPEED			
30	+	125318-13120	1	SCREW, IDLE NEEDLE			
31	+	125314-13930	1	SCREW	3*4		
32	+	125316-49030	1	VALVE, THROTTLE			
33	+	125306-13120	1	PUMP KIT, ACC.			
		125303-13120	1	GASKET/DIAPHRAGM KIT			
		125300-13120	1	REBUILD KIT			

8. Repair Kit

KEY	LV	PART NUMBER	Q'TY	DESCRIPTION	REMARKS	NOTE1	NOTE2
		125303-13120	1	GASKET/DIAPHRAGM KIT			
7-6	+	125341-07360	1	DIAPHRAGM			
7-7	+	125340-20560	1	GASKET, DIAPHRAGM			
7-17	+	125312-12820	1	DIAPHRAGM, FUEL PUMP			
7-18	+	125325-13310	1	GASKET, PUMP			
		125300-13120	1	REBUILD KIT			
7-6	+	125341-07360	1	DIAPHRAGM			
7-7	+	125340-20560	1	GASKET, DIAPHRAGM			
7-9	+	125338-13930	1	PIN, METERING ARM			
7-10	+	125323-42030	1	LEVER, METERING			
7-11	+	125322-42030	1	SPRING, COIL			
7-12	+	125337-06960	1	VALVE, INLET NEEDLE			
7-13	+	125345-15130	1	PLUG, WELCH			
7-16	+	125326-42030	1	STRAINER			
7-17	+	125312-12820	1	DIAPHRAGM, FUEL PUMP			
7-18	+	125325-13310	1	GASKET, PUMP			

Index

Patrs Number	Key No.	Patrs Number	Key No.	Patrs Number	Key No.
100000-48732	1 - 12	125325-13310	7 - 18	131205-07320	4 - 15
100011-05330	1 - 17	125325-13310	8 - 7-18	131300-56430	4 - 9
100012-51230	1 - 11	125325-13310	8 - 7-18	131312-44330	4 - 11
100013-11520	1 - 16	125326-42030	7 - 16	132010-11520	4 - 12
100014-11520	1 - 13	125326-42030	8 - 7-16	132010-49030	4 - 18
100015-04630	1 - 15	125327-13930	7 - 26	132013-09820	4 - 14
100100-13120	1 - 10	125327-15130	7 - 14	132115-46730	4 - 13
100100-13121	1 - 10	125333-06960	7 - 22	145510-42031	3 - 30
100204-11520	1 - 4	125334-06960	7 - 21	145800-11821	3 - 28
100204-11521	1 - 4	125334-13930	7 - 21	145862-40630	3 - 31
100212-42030	1 - 5	125337-06960	7 - 12	145863-11520	3 - 33
100212-42031	1 - 5	125337-06960	8 - 7-12	145866-42031	3 - 32
100215-03930	1 - 9	125338-13930	7 - 9	145871-05360	3 - 29
100242-42030	1 - 8	125338-13930	8 - 7-9	145876-42030	3 - 34
101010-44332	1 - 18	125339-42030	7 - 8	156110-04920	2 - 27
101011-06562	1 - 19	125340-20560	7 - 7	156601-52130	2 - 25
101506-13120	1 - 25	125340-20560	8 - 7-7	156626-05360	2 - 25
101506-13121	1 - 25	125340-20560	8 - 7-7	156626-11820	2 - 25
125200-13121	3 - 10	125341-07360	7 - 6	156801-05360	2 - 23
125200-13121	7 -	125341-07360	8 - 7-6	156801-44330	2 - 23
125200-13122	3 - 10	125341-07360	8 - 7-6	159011-03432	2 - 29
125200-13122	7 -	125344-05360	7 - 1	159012-03433	2 - 30
125200-13123	3 - 10	125344-05360	7 - 1	159017-12330	2 - 28
125200-13123	7 -	125345-15130	7 - 13	162010-13350	6 - 19
125200-13124	3 - 10	125345-15130	8 - 7-13	162010-52830	2 - 26
125200-13124	7 -	125363-08560	7 - 2	162021-52830	2 - 26
125200-13125	3 - 10	125372-42030	7 - 25	163400-02160	5 - 6
125200-13125	7 -	125376-13120	7 - 15	163810-13350	6 - 9
125300-13120	7 -	125378-13930	7 - 22	163892-13350	6 - 60
125300-13120	8 -	125381-08660	7 - 3	175000-07531	2 - 48
125303-13120	7 -	125383-05360	7 - 5	175009-05131	2 - 33
125303-13120	8 -	129011-52730	3 - 16	175010-04633	2 - 39
125306-13120	7 - 33	130010-42032	3 - 5	175010-04634	2 - 39
125310-05360	7 - 4	130016-42031	3 - 9	175014-11520	2 - 37
125310-12820	7 - 20	130017-42031	3 - 7	175016-05020	2 - 31
125312-12820	7 - 17	130111-00530	4 - 10	175018-05130	2 - 32
125312-12820	8 - 7-17	130301-04560	3 - 12	175019-04630	2 - 34
125312-12820	8 - 7-17	130307-06561	3 - 12	175044-04630	2 - 36
125313-42030	7 - 23	130310-04560	3 - 18	177200-12220	2 - 7
125314-13930	7 - 31	130310-54130	3 - 18	177200-12221	2 - 7
125316-49030	7 - 32	130313-06563	3 - 19	177202-12220	2 - 18
125317-13310	7 - 24	130326-12822	3 - 19	177215-44430	2 - 10
125318-13120	7 - 30	130410-05360	3 - 16	177218-44330	2 - 19
125320-13310	7 - 28	130416-11520	2 - 44	177220-42030	2 - 9
125322-42030	7 - 11	131004-55530	4 - 5	177226-05530	2 - 13
125322-42030	8 - 7-11	131005-11820	4 - 7	177227-42030	2 - 14
125323-42030	7 - 10	131005-11821	4 - 7	177228-11120	2 - 15
125323-42030	8 - 7-10	131016-55830	4 - 6	177234-12220	2 - 20
125324-12820	7 - 19	131051-56030	4 - 8	177236-44330	2 - 12

Index

Patrs Number	Key No.	Patrs Number	Key No.	Patrs Number	Key No.
178001-11520	5 - 3	890617-11761	6 - 7	P021-001102	1 - 12
178010-06460	5 - 12	900017-08040	6 - 61	P021-002921	3 - 12
178024-08730	5 - 11	900017-08096	6 - 26	V103-000111	3 - 9
178043-05230	5 - 13	900017-08104	6 - 67	V104-000160	3 - 30
178110-05330	5 - 8	900018-08040	6 - 14	V137-000030	4 - 13
178111-13350	6 - 22	900021-08016	6 - 29	V471-001200	4 - 11
178121-10050	6 - 16	900031-00008	6 - 62	V471-001230	4 - 12
178127-50330	5 - 2	900032-08032	6 - 15	V485-000251	6 - 19
178510-48830	3 - 11	900082-00100	6 - 64	V553-000010	1 - 11
178515-04560	3 - 15	900105-05050	3 - 36		
178516-00830	3 - 14	900162-04022	2 - 24		
178810-05230	3 - 13	900162-05022	1 - 20		
210417-52730	3 - 21	900162-05028	1 - 6		
305811-13350	6 - 55	900220-05025	5 - 7		
351010-13351	6 - 4	900220-05028	5 - 7		
351110-13350	6 - 6	900238-04014	2 - 43		
351210-13350	6 - 5	900238-04016	2 - 5		
351311-02330	6 - 3	900238-04018	1 - 26		
351312-13350	6 - 8	900238-05020	3 - 8		
351315-04230	6 - 2	900238-06012	2 - 38		
604221-13350	6 - 47	900242-04010	3 - 35		
605310-12350	6 - 32	900242-05057	3 - 17		
605313-13350	6 - 43	900242-05065	3 - 13		
605314-13350	6 - 45	900250-05016	4 - 16		
605315-13350	6 - 44	900253-05010	6 - 10		
605316-13350	6 - 46	900275-05015	4 - 16		
605324-13350	6 - 40	900500-00005	3 - 6		
605410-12350	6 - 33	900500-00005	5 - 9		
605412-12350	6 - 36	900502-00006	5 - 4		
605417-13350	6 - 48	900528-00005	3 - 21		
605418-12350	6 - 66	900560-00005	5 - 10		
605418-13350	6 - 42	900600-00005	3 - 37		
605428-13350	6 - 49	900600-00010	2 - 47		
605433-13350	6 - 41	900603-00005	4 - 17		
605511-12350	6 - 35	900605-00008	2 - 17		
605612-13350	6 - 54	900610-00006	5 - 5		
610223-11520	2 - 42	900700-07032	5 - 1		
610325-02730	1 - 21	900702-00015	6 - 65		
660020-12350	6 - 63	900808-36000	2 - 35		
690010-13350	6 - 52	900810-36201	1 - 7		
690011-13350	6 - 51	94035-36201	1 - 7		
694010-13351	6 - 27	A101-000000	1 - 17		
694011-13350	6 - 25	A411-000080	2 - 25		
890112-11760	6 - 59	P005-000600	7 - 5		
890118-49130	2 - 6	P005-000620	7 - 2		
890121-05360	3 - 22	P005-000970	7 - 5		
890121-47530	3 - 22	P005-000980	7 - 1		
890157-39130	6 - 68	P005-001070	7 - 24		
890617-11760	6 - 7	P021-001101	1 - 12		

YAMABIKO CORPORATION

7-2 SUEHIROCHO 1-CHOME, OHME, TOKYO 198-8760, JAPAN
PHONE: 81-428-32-6118. FAX: 81-428-32-6145.

ECHO®



2100
No.