



PARTS CATALOG

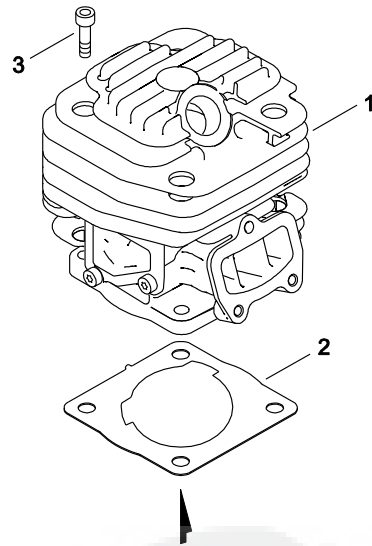
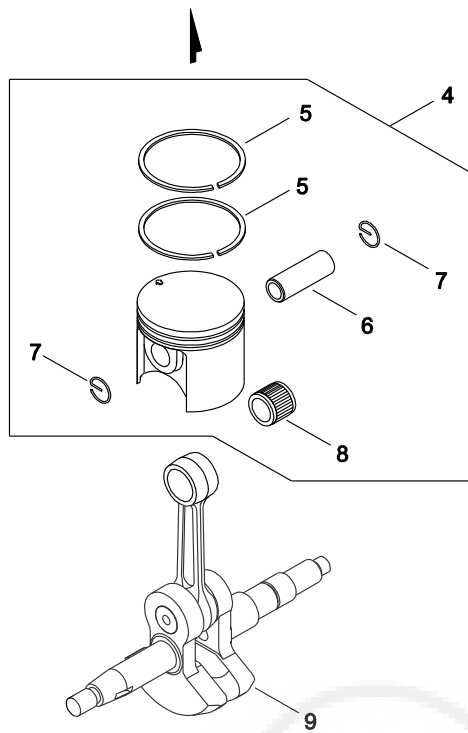
CHAIN SAW CS-390ESX/38LRV(37)

37001001 -

CE

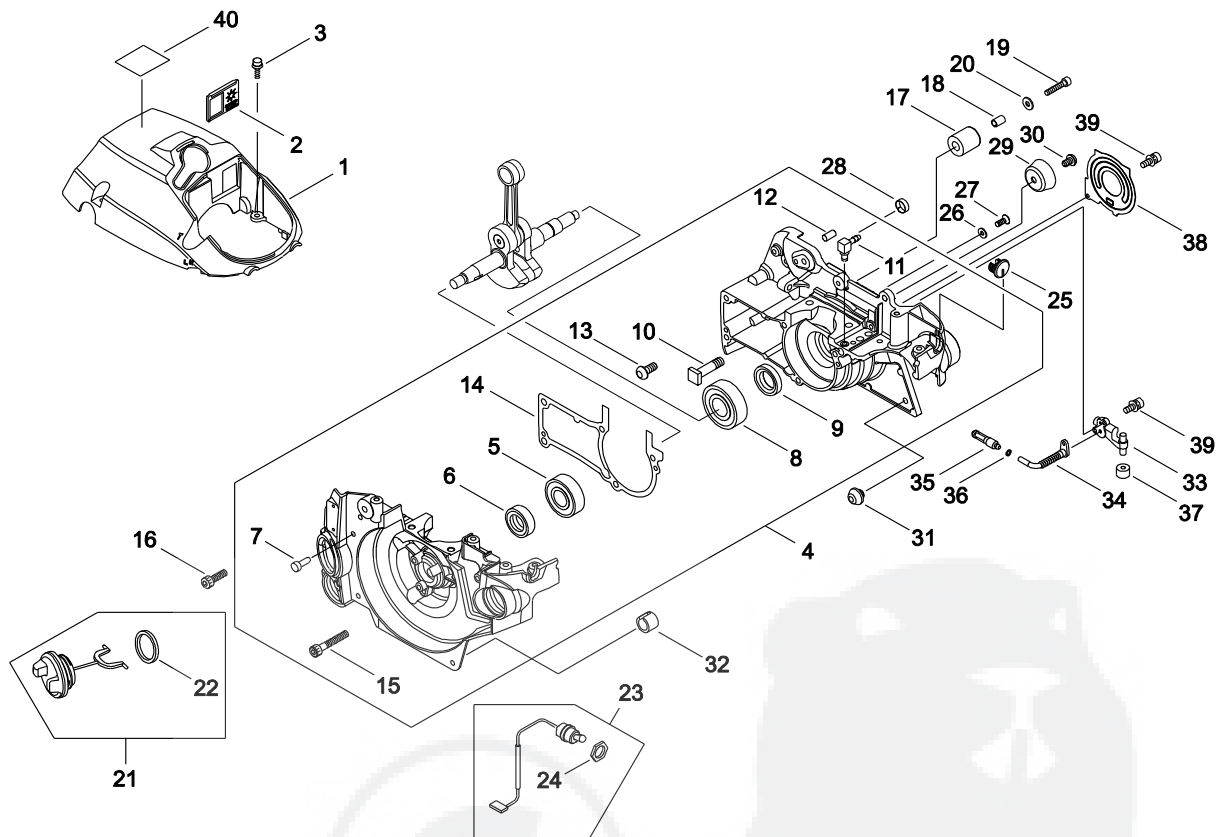
P014-004380-14K

1. CYLINDER, PISTON, CRANKSHAFT



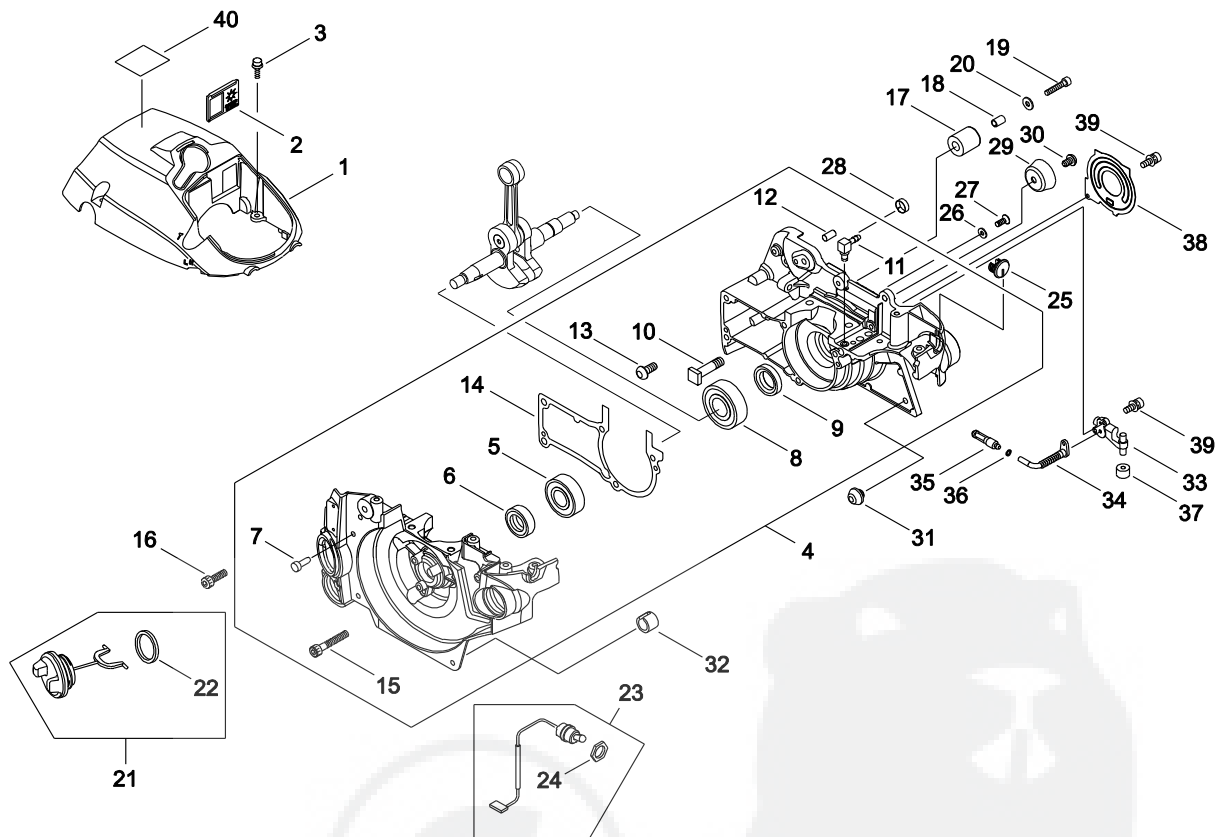
| KEY | LV | PART NUMBER | Q'TY | DESCRIPTION | REMARKS | NOTE1 | NOTE2 |
|-----|----|--------------|------|-----------------|-----------|-------|-------|
| 1 | | P021-040340 | 1 | CYLINDER ASY | | | |
| 2 | | V100-000750 | 1 | GASKET,CYL | | | |
| 3 | | 900105-05018 | 4 | BOLT, H.S. 5*18 | 5*18 | | |
| 4 | | P100-000370 | 1 | PISTON KIT | | | |
| 5 | + | A101-000450 | 2 | PISTON RING | | | |
| 6 | + | V608-000070 | 1 | PIN,ENG 10 | 6*10*29.8 | | |
| 7 | + | V580-000010 | 2 | RING,END | 10 | | |
| 8 | + | V555-000140 | 1 | BEARING,NEEDLE | | | |
| 9 | | A011-000990 | 1 | CRANK SHAFT | | | |

2. CRANKCASE



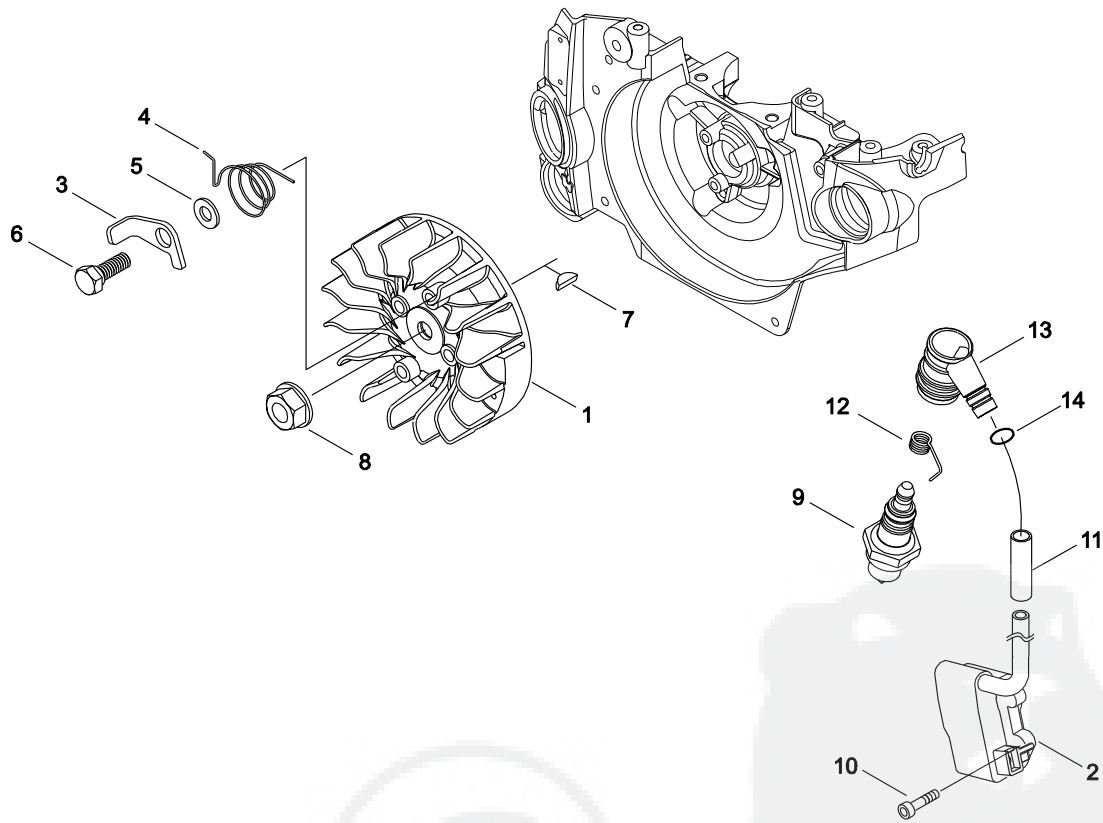
| KEY | LV | PART NUMBER | Q'TY | DESCRIPTION | REMARKS | NOTE1 | NOTE2 |
|-----|----|--------------|------|------------------|--------------|-------|-------|
| 1 | | A160-003050 | 1 | COVER,CYLINDER | | | |
| 2 | | A219-000040 | 1 | SHUTTER,AIR | | | |
| 3 | | V202-000200 | 3 | BOLT | | | |
| 4 | | P021-048070 | 1 | CRANKCASE SET | | | |
| 5 | + | V592-000310 | 1 | BEARING, BALL | 6001X10JRXC3 | | |
| 6 | + | V505-000070 | 1 | OIL SEAL | | | |
| 7 | + | A356-000130 | 1 | VALVE,CHECK | | | |
| 8 | + | V592-000320 | 1 | BEARING, BALL | 6002X13C3 | | |
| 9 | + | V508-000070 | 1 | OIL SEAL | | | |
| 10 | + | V225-000150 | 2 | BOLT,STUD | | | |
| 11 | + | 437239-14730 | 1 | NIPPLE | | | |
| 12 | + | V629-000000 | 2 | ROLLER | | | |
| 13 | + | V203-001400 | 1 | SCREW ADHESIVE | | | |
| 14 | + | V102-000142 | 1 | GASKET,CRANKCASE | | | |
| 15 | + | V203-001450 | 3 | BOLT | | | |
| 16 | | 900105-05016 | 2 | BOLT, H.S. 5*16 | 5*16 | | |
| 17 | | C310-000110 | 1 | CATCHER, CHAIN | | | |
| 18 | | V353-000460 | 1 | BUSH | | | |
| 19 | | 900105-05030 | 1 | BOLT, H.S. 5*30 | 5*30 | | |
| 20 | | 900600-00005 | 1 | WASHER 5 | 5 | | |
| 21 | | C020-000040 | 1 | CAP | | | |
| 22 | + | V107-000090 | 1 | GASKET,FUEL CAP | | | |
| 23 | | P021-037400 | 1 | SWITCH, ON OFF | | | |
| 24 | + | V266-000090 | 1 | NUT,10 | | | |
| 25 | | V141-000100 | 1 | PLUG | | | |

2. CRANKCASE



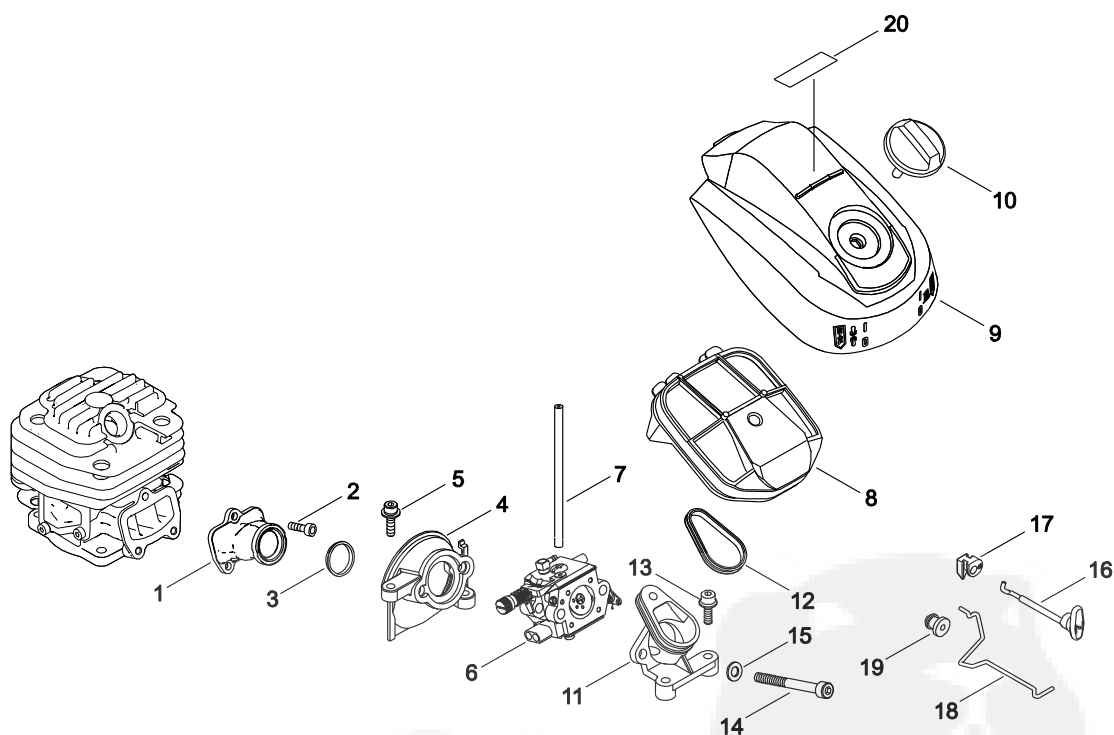
| KEY | LV | PART NUMBER | Q'TY | DESCRIPTION | REMARKS | NOTE1 | NOTE2 |
|-----|----|--------------|------|---------------------|------------|-------|-------|
| 26 | | 900603-00004 | 1 | WASHER 4 | 4.5*10*0.8 | | |
| 27 | | 900212-04008 | 1 | SCREW 4*8 | +SF4*8 | | |
| 28 | | V355-000460 | 1 | COLLAR,8 | | | |
| 29 | | V423-000080 | 1 | MOUNT HOLDER | | | |
| 30 | | 91142-05008 | 1 | SCREW BUTTON | | | |
| 31 | | V420-002770 | 1 | CUSHION | | | |
| 32 | | V420-002740 | 1 | SUPPORTER | | | |
| 33 | | C022-000121 | 1 | AUTO-OILER ASSEMBLY | | | |
| 34 | | V470-001840 | 1 | PIPE | | | |
| 35 | | C209-000070 | 1 | STRAINER,OIL | | | |
| 36 | | V490-000500 | 1 | CLIP | | | |
| 37 | | C211-000010 | 1 | ELEMENT | | | |
| 38 | | C236-000060 | 1 | COVER,OILER | | | |
| 39 | | V202-000520 | 3 | BOLT,4 | | | |
| 40 | | 890345-39231 | 1 | LABEL,CAUTION | | | |

3. MAGNETO



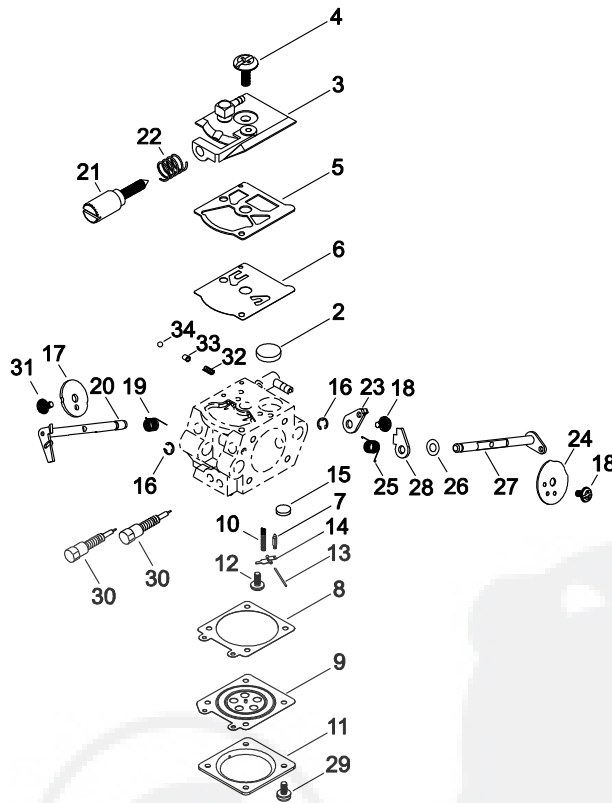
| KEY | LV | PART NUMBER | Q'TY | DESCRIPTION | REMARKS | NOTE1 | NOTE2 |
|-----|----|--------------|------|--------------------|---------|-------|-------|
| 1 | | A409-001151 | 1 | ROTOR,MAGNETO | | | |
| 3 | | A514-000220 | 2 | PAWL | | | |
| 4 | | V452-000870 | 2 | SPRING,TORSION | | | |
| 5 | | V304-000270 | 2 | WASHER,CIRCULAR 6 | | | |
| 6 | | V204-000620 | 2 | BOLT | | | |
| 7 | | 93115-03010 | 1 | KEY | 3*10 | | |
| 8 | | V265-000220 | 1 | NUT | | | |
| 9 | | A425-000000 | 1 | SPARKPLUG | BPMR8Y | | |
| 10 | | V202-000540 | 2 | BOLT,4 | | | |
| 11 | | V475-005180 | 1 | TUBE | | | |
| 12 | | A426-000040 | 1 | TERMINAL,SPARKPLUG | | | |
| 13 | | A427-000160 | 1 | PLUG CAP | | | |
| 14 | | 900720-20007 | 1 | O-RING 7 | P-7 | | |

4. AIR CLEANER, CARBURETOR



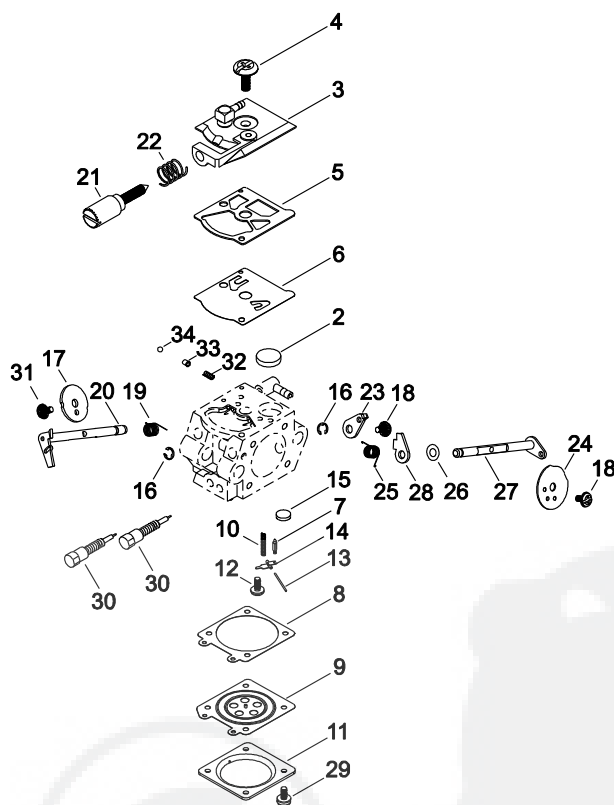
| KEY | LV | PART NUMBER | Q'TY | DESCRIPTION | REMARKS | NOTE1 | NOTE2 |
|-----|----|--------------|------|-----------------------|-------------|-------|-------|
| 1 | | A202-000240 | 1 | BELLOWS, INTAKE | | | |
| 2 | | V202-000350 | 3 | BOLT-SPW | M4-14 | | |
| 3 | | V359-000380 | 1 | COLLAR, 16 | | | |
| 4 | | A200-000852 | 1 | INSULATOR, INTAKE | | | |
| 5 | | V202-000200 | 2 | BOLT | | | |
| 6 | | A021-004001 | 1 | CARBURETOR, DIAPHRAGM | WT-1055 | | |
| 7 | | 132010-56030 | 1 | PIPE 3*6*110 | 3*6*110 NBR | | |
| 8 | | A226-001580 | 1 | ELEMENT, AIR FILTER | | | |
| 9 | | A232-001770 | 1 | LID, CLEANER | | | |
| 10 | | A235-000270 | 1 | KNOB, CLEANER LID | | | |
| 11 | | A204-000220 | 1 | ELBOW, CARBURETOR | | | |
| 12 | | V581-000280 | 1 | GASKET | | | |
| 13 | | V202-000200 | 2 | BOLT | | | |
| 14 | | 91100-05048 | 2 | BOLT | | | |
| 15 | | 900600-00005 | 2 | WASHER 5 | 5 | | |
| 16 | | A240-000111 | 1 | ROD, CHOKE | | | |
| 17 | | V130-000170 | 1 | GROMMET, CHOKE | | | |
| 18 | | C454-000280 | 1 | ROD, THROTTLE | | | |
| 19 | | V133-000040 | 1 | GROMMET | | | |
| 20 | | X503-013050 | 1 | LABEL, MODEL | | | |

5. CARBURETOR



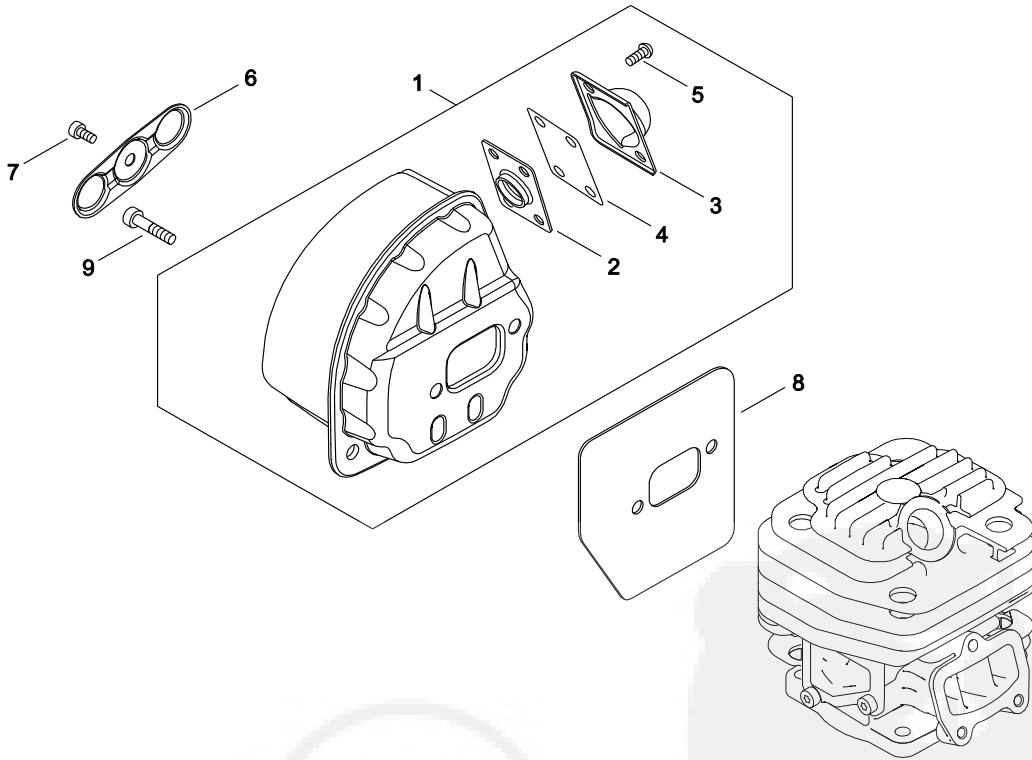
| KEY | LV | PART NUMBER | Q'TY | DESCRIPTION | REMARKS | NOTE1 | NOTE2 |
|-----|----|--------------|------|----------------------|---------|-------|-------|
| | | A021-004001 | 1 | CARBURETOR,DIAPHRAGM | WT-1055 | | |
| 2 | + | 123126-10631 | 1 | SCREEN, INLET | | | |
| 3 | + | P003-004960 | 1 | PUMP COVER ASSY | | | |
| 4 | + | 123110-03930 | 1 | SCREW, PUMP COVER | | | |
| 5 | + | 123125-15030 | 1 | GASKET, FUEL PUMP | | | |
| 6 | + | 123112-15030 | 1 | DIAPHRAGM, FUEL PUMP | | | |
| 7 | + | 123137-19830 | 1 | VALVE, INLET NEEDLE | | | |
| 8 | + | 123140-03930 | 1 | GASKET, M. DIAPHRAGM | | | |
| 9 | + | P003-001850 | 1 | DIAPHRAGM, METERING | | | |
| 10 | + | 123122-39830 | 1 | SPRING, METER. LEVER | | | |
| 11 | + | 123142-03930 | 1 | COVER, M. DIAPHRAGM | | | |
| 12 | + | 123139-03930 | 1 | SCREW, M. LEVER PIN | | | |
| 13 | + | 123138-03930 | 1 | PIN, METERING LEVER | | | |
| 14 | + | 123123-03930 | 1 | LEVER, METERING | | | |
| 15 | + | 123146-10631 | 1 | PLUG, WELCH | | | |
| 16 | + | 123127-15030 | 2 | RING | | | |
| 17 | + | 123116-10530 | 1 | VALVE, THROTTLE | | | |
| 18 | + | 123114-38830 | 2 | SCREW | | | |
| 19 | + | 123113-37530 | 1 | SPRING, THROTTLE RTN | | | |
| 20 | + | P003-005230 | 1 | SHAFT ASY, THROTTLE | | | |
| 21 | + | P003-004470 | 1 | SCREW | | | |
| 22 | + | 123133-04260 | 1 | SPRING, IDLE ADJUST | | | |
| 23 | + | P003-003180 | 1 | THROTTLE LEVER | | | |
| 24 | + | 123132-37330 | 1 | VALVE, CHOKE | | | |
| 25 | + | P003-002260 | 1 | SPRING | | | |

5. CARBURETOR



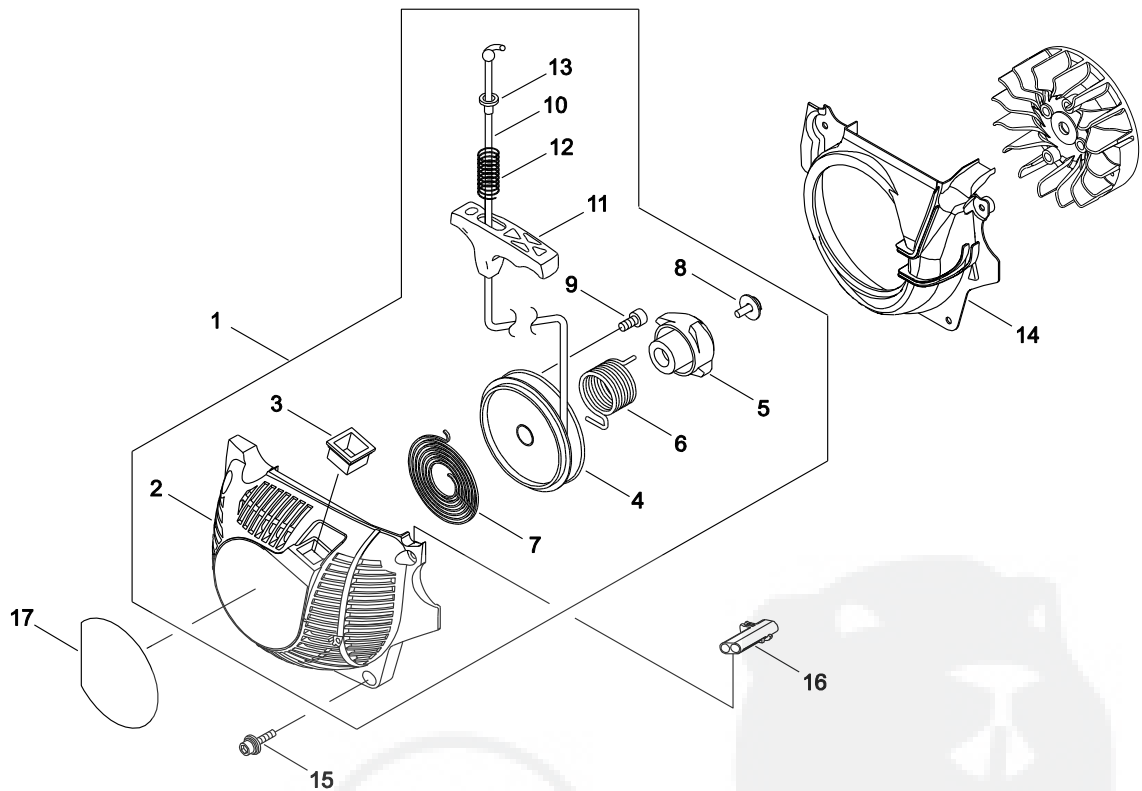
| KEY | LV | PART NUMBER | Q'TY | DESCRIPTION | REMARKS | NOTE1 | NOTE2 |
|-----|----|--------------|------|---------------------|---------|-------|-------|
| 26 | + | 123149-26030 | 1 | WASHER | | | |
| 27 | + | P003-003190 | 1 | SHAFT | | | |
| 28 | + | P003-001510 | 1 | LEVER-FAST IDLE | | | |
| 29 | + | 123130-02960 | 4 | SCREW | | | |
| 30 | + | P003-004460 | 2 | NEEDLE | | | |
| 31 | + | P003-002380 | 1 | SCREW | | | |
| 32 | + | 123186-09660 | 1 | SPRING, START VALVE | | | |
| 33 | + | 123185-09660 | 1 | PISTON ASSY | | | |
| 34 | + | 123136-09660 | 1 | BALL | | | |

6. MUFFLER



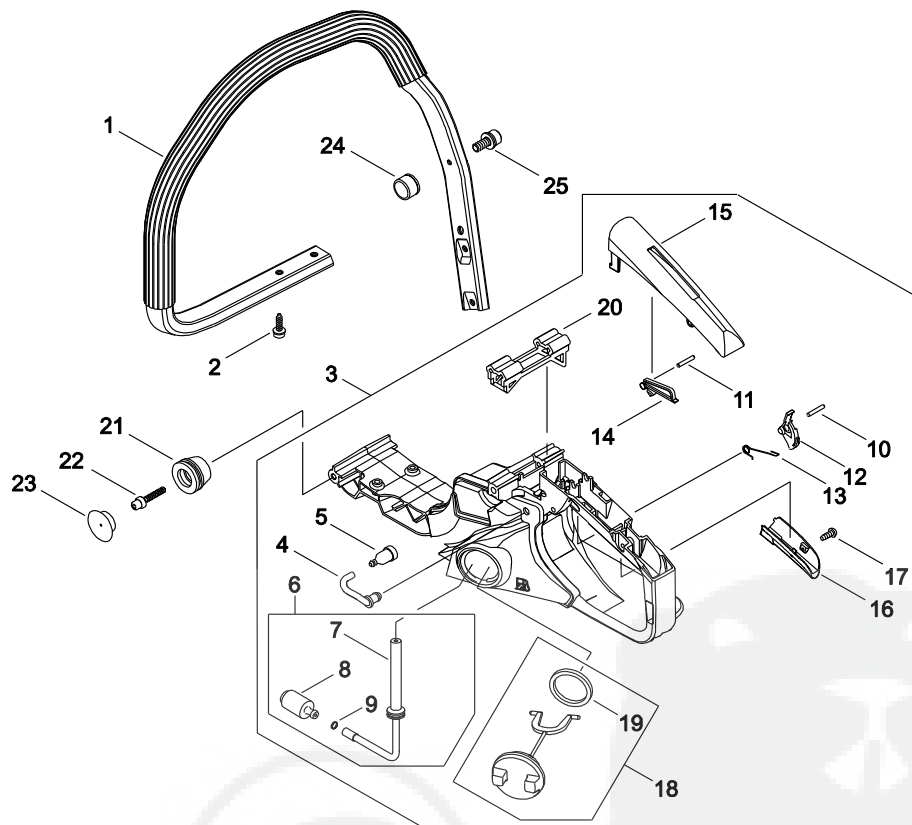
| KEY | LV | PART NUMBER | Q'TY | DESCRIPTION | REMARKS | NOTE1 | NOTE2 |
|-----|----|--------------|------|------------------|---------|-------|-------|
| 1 | | P100-000340 | 1 | MUFFLER ASY | | | |
| 2 | + | A313-001890 | 1 | GUIDE, EXHAUST | | | |
| 3 | + | A313-001880 | 1 | GUIDE, EXHAUST | | | |
| 4 | + | A310-000450 | 1 | SCREEN, ARRESTOR | | | |
| 5 | + | 91578-04006 | 2 | SCREW | | | |
| 6 | | A301-000060 | 1 | PLATE, MUFFLER | | | |
| 7 | | 900105-04006 | 1 | BOLT, H.S. 4*6 | 4*6 | | |
| 8 | | V104-001581 | 1 | GASKET, EXHAUST | | | |
| 9 | | V203-001880 | 4 | BOLT, 5 | | | |

7. RECOIL STARTER



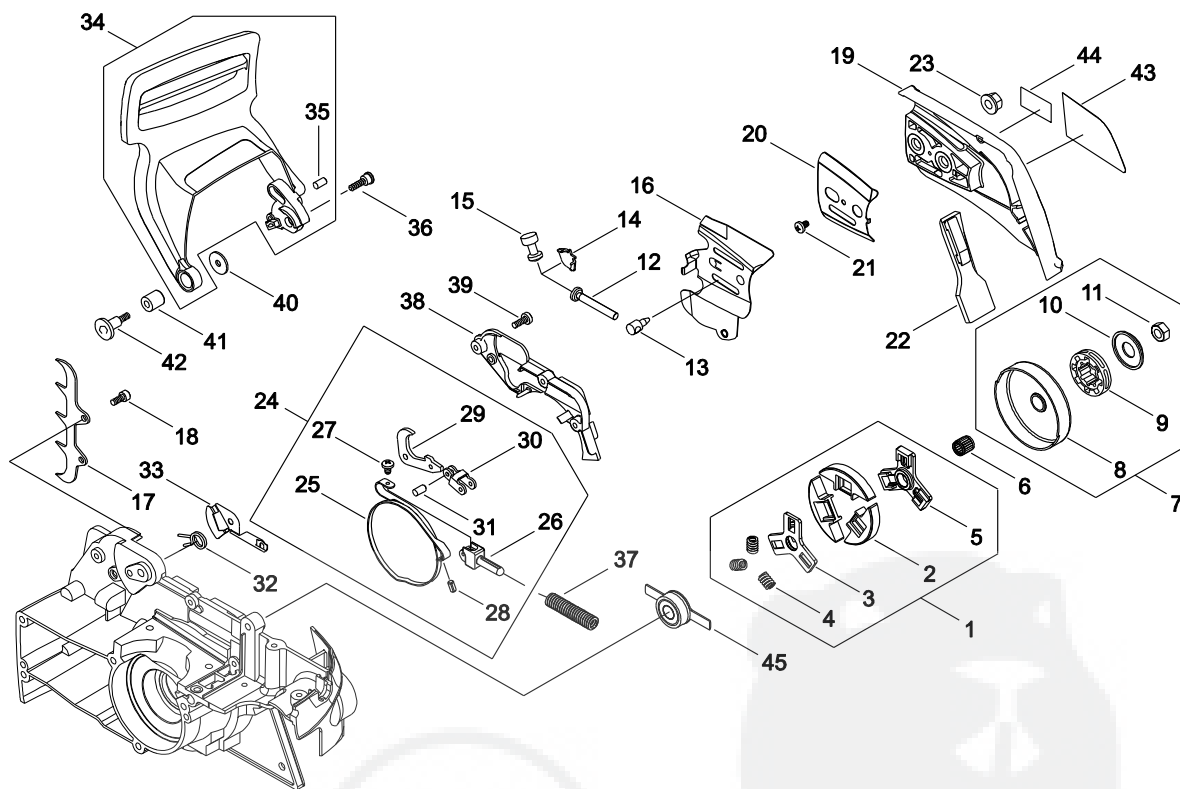
| KEY | LV | PART NUMBER | Q'TY | DESCRIPTION | REMARKS | NOTE1 | NOTE2 |
|-----|----|-------------|------|---------------------|---------|-------|-------|
| 1 | | A051-002321 | 1 | STARTER,RECOIL | | | |
| 2 | + | P022-038520 | 1 | STARTER CASE | | | |
| 3 | + | A510-000130 | 1 | GUIDE,ROPE | | | |
| 4 | + | P022-036740 | 1 | DRUM, STARTER | | | |
| 5 | + | P022-036750 | 1 | PLATE, CAM | | | |
| 6 | + | P022-036760 | 1 | SPRING,DAMPER | | | |
| 7 | + | P022-006250 | 1 | SPRING,SPIRAL | | | |
| 8 | + | P022-004630 | 1 | SCREW | | | |
| 9 | + | P022-036770 | 1 | BOLT HSH | CB-4*10 | | |
| 10 | + | P022-035130 | 1 | ROPE | | | |
| 11 | + | P022-036780 | 1 | GRIP, STARTER | | | |
| 12 | + | V450-001170 | 1 | SPRING, COMPRESSION | | | |
| 13 | + | V376-001400 | 1 | SPACER | | | |
| 14 | | A172-001870 | 1 | COVER,FAN | | | |
| 15 | | V202-000200 | 4 | BOLT | | | |
| 16 | | V131-000190 | 1 | GROMMET,NEEDLE | | | |
| 17 | | X502-000760 | 1 | LABEL,ECHO | | | |

8. HANDLE



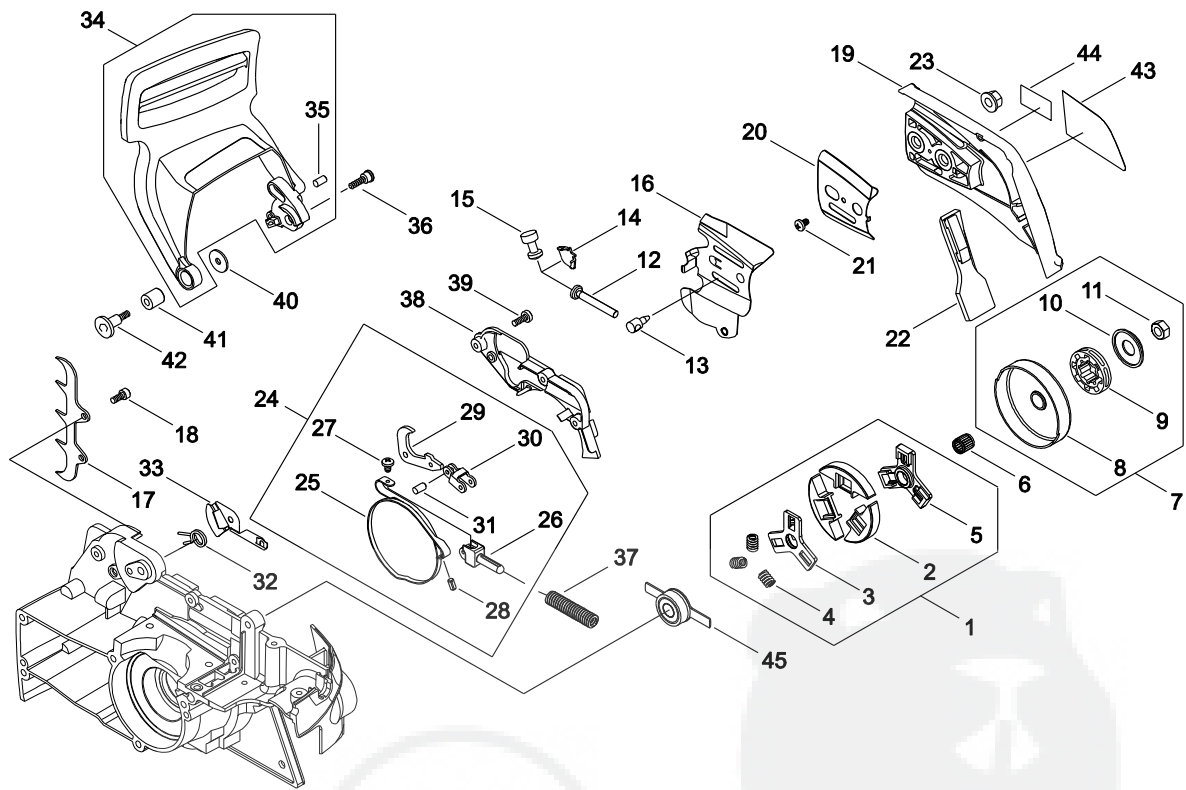
| KEY | LV | PART NUMBER | Q'TY | DESCRIPTION | REMARKS | NOTE1 | NOTE2 |
|-----|----|--------------|------|---------------------|---------|-------|-------|
| 1 | | C040-000511 | 1 | HANDLE, FRONT | | | |
| 2 | | V203-001490 | 4 | BOLT TAPPING | | | |
| 3 | | P021-048081 | 1 | HANDLE ASY, REAR | | | |
| 4 | + | V470-001530 | 1 | PIPE | | | |
| 5 | + | 131300-56431 | 1 | VENT ASSEMBLY, FUEL | | | |
| 6 | + | P021-035121 | 1 | FUEL PIPE | | | |
| 7 | ++ | V470-001520 | 1 | PIPE | | | |
| 8 | ++ | 131205-19832 | 1 | STRAINER, FUEL | | | |
| 9 | ++ | V490-000500 | 1 | CLIP | | | |
| 10 | + | 93060-40250 | 1 | PIN, SPRING | | | |
| 11 | + | 93042-40220 | 1 | PIN, SPRING | | | |
| 12 | + | C450-000642 | 1 | CONTROL, THROTTLE | | | |
| 13 | + | V452-000850 | 1 | SPRING, TORSION | | | |
| 14 | + | C460-000390 | 1 | LOCKOUT, THROTTLE | | | |
| 15 | + | C411-000170 | 1 | LID, HANDLE | | | |
| 16 | + | C403-000530 | 1 | GRIP | | | |
| 17 | + | 91449-04022 | 1 | SCREW TAPPING | | | |
| 18 | + | A033-000370 | 1 | CAP ASSY | | | |
| 19 | ++ | V107-000070 | 1 | GASKET | | | |
| 20 | + | V420-002810 | 1 | STOPPER | | | |
| 21 | | V401-000290 | 4 | CUSHION | | | |
| 22 | | V203-001480 | 4 | BOLT | | | |
| 23 | | V421-000070 | 4 | CAP, CUSHION | | | |
| 24 | | V400-000080 | 1 | CUSHION | | | |
| 25 | | V202-000260 | 1 | BOLT, 4 | | | |

9. CHAIN BRAKE



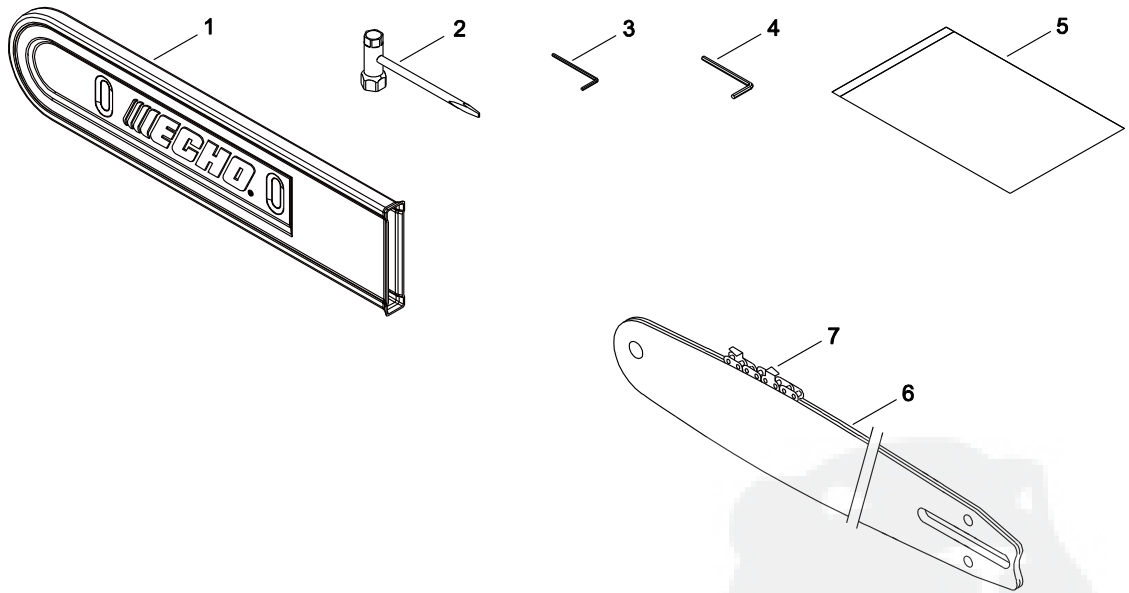
| KEY | LV | PART NUMBER | Q'TY | DESCRIPTION | REMARKS | NOTE1 | NOTE2 |
|-----|----|--------------|------|----------------------|---------|-------|-------|
| 1 | | A056-000610 | 1 | ASM,CLUCH | | | |
| 2 | + | A555-000210 | 3 | SHOE,CLUTCH | | | |
| 3 | + | A552-000230 | 1 | HUB,CLUTCH | | | |
| 4 | + | V451-000930 | 3 | SPRING | | | |
| 5 | + | A552-000240 | 1 | HUB, CLUTCH | | | |
| 6 | | V555-000150 | 1 | BEARING,NEEDLE | | | |
| 7 | | P021-026703 | 1 | CLUTCH DRUM SET | | | |
| 8 | + | A556-001121 | 1 | DRUM, CLUTCH | | | |
| 9 | + | 175114-12530 | 1 | SPROCKET, RIM .325 | | | |
| 10 | + | V307-000451 | 1 | WASHER,CIRCULAR 10 | | | |
| 11 | + | V265-000211 | 1 | NUT,8 | | | |
| 12 | | V253-000610 | 1 | SCREW | | | |
| 13 | | C309-000110 | 1 | TENSIONER,CHAIN | | | |
| 14 | | V152-002430 | 1 | GUIDE | | | |
| 15 | | V651-000790 | 1 | GEAR,BEVEL | | | |
| 16 | | C305-000440 | 1 | PLATE,SPROCKET GUARD | | | |
| 17 | | C304-000200 | 1 | SPIKED | | | |
| 18 | | 900105-05012 | 2 | BOLT, H.S. 5*12 | 5*12 | | |
| 19 | | C300-001050 | 1 | GUARD, SPROCKET | | | |
| 20 | | C305-000260 | 1 | PLATE,SPROCKET GUARD | | | |
| 21 | | 900253-04008 | 1 | SCREW 4*8 | 4*8 | | |
| 22 | | C302-000030 | 1 | PROTECTOR | | | |
| 23 | | V265-000200 | 2 | NUT | | | |
| 24 | | C328-000210 | 1 | BAND,BRAKE | | | |
| 25 | + | C328-000220 | 1 | BAND,BRAKE | | | |

9. CHAIN BRAKE



| KEY | LV | PART NUMBER | Q'TY | DESCRIPTION | REMARKS | NOTE1 | NOTE2 |
|-----|----|--------------|------|-------------------|---------|-------|-------|
| 26 | + | C334-000180 | 1 | CONNECTOR,BRAKE | | | |
| 27 | + | 91381-04010 | 1 | SCREW TAPPING | | | |
| 28 | + | 93042-40100 | 1 | PIN, SPRING | | | |
| 29 | + | C334-000190 | 1 | CONNECTOR, BRAKE | | | |
| 30 | + | C334-000200 | 1 | CONNECTOR,BRAKE | | | |
| 31 | + | 900330-30120 | 2 | PIN | 3*12 | | |
| 32 | | V452-000860 | 1 | SPRING,TORSION | | | |
| 33 | | C347-000010 | 1 | PLATE,BRAKE SEAL | | | |
| 34 | | P021-026383 | 1 | GUARD COMP | | | |
| 35 | + | 900330-40080 | 1 | PIN F 4*8 | 4*8 | | |
| 36 | | V203-001470 | 1 | BOLT,ADHESIVE | | | |
| 37 | | V450-001160 | 1 | SPRING,COIL | | | |
| 38 | | C345-000610 | 1 | COVER BRAKE | | | |
| 39 | | V202-000490 | 3 | BOLT | | | |
| 40 | | V303-000320 | 1 | WASHER,CIRCULAR 5 | | | |
| 41 | | J211-000430 | 1 | BUSH | | | |
| 42 | | V203-001410 | 1 | BOLT ADHESIVE | | | |
| 43 | | X502-000770 | 1 | LABEL,ECHO | | | |
| 44 | | 890316-39131 | 1 | LABEL, CAUTION | | | |
| 45 | | P021-023110 | 1 | GEAR | | | |

10. ACCESSORIES



| KEY | LV | PART NUMBER | Q'TY | DESCRIPTION | REMARKS | NOTE1 | NOTE2 |
|-----|----|-------------|------|-----------------|----------------|-------|-------|
| 1 | | X490-000570 | 1 | SCABBARD,CHAIN | | | |
| 2 | | X602-000150 | 1 | PLUG WRENCH | | | |
| 3 | | X605-000090 | 1 | HEXA WRENCH 4MM | | | |
| 4 | | X605-000100 | 1 | TOOL,L WRENCH | 4MM M5 | | |
| 5 | | X705-000130 | 1 | POLY BAG | | | |
| 6 | | X123-000580 | 1 | BAR,GUIDE 35 | 38LRV50D-325EC | | |
| 7 | | X243-000000 | 1 | CHAIN,SAW | 95VPX-64E | | |

Index

| Patrs Number | Key No. | Patrs Number | Key No. | Patrs Number | Key No. |
|---------------------|----------------|---------------------|----------------|---------------------|----------------|
| 123110-03930 | 5 - 4 | 93042-40220 | 8 - 11 | C328-000220 | 9 - 25 |
| 123112-15030 | 5 - 6 | 93060-40250 | 8 - 10 | C334-000180 | 9 - 26 |
| 123113-37530 | 5 - 19 | 93115-03010 | 3 - 7 | C334-000190 | 9 - 29 |
| 123114-38830 | 5 - 18 | A011-000990 | 1 - 9 | C334-000200 | 9 - 30 |
| 123116-10530 | 5 - 17 | A021-004001 | 4 - 6 | C345-000610 | 9 - 38 |
| 123122-39830 | 5 - 10 | A021-004001 | 5 - | C347-000010 | 9 - 33 |
| 123123-03930 | 5 - 14 | A033-000370 | 8 - 18 | C403-000530 | 8 - 16 |
| 123125-15030 | 5 - 5 | A051-002321 | 7 - 1 | C411-000170 | 8 - 15 |
| 123126-10631 | 5 - 2 | A056-000610 | 9 - 1 | C450-000642 | 8 - 12 |
| 123127-15030 | 5 - 16 | A101-000450 | 1 - 5 | C454-000280 | 4 - 18 |
| 123130-02960 | 5 - 29 | A160-003050 | 2 - 1 | C460-000390 | 8 - 14 |
| 123132-37330 | 5 - 24 | A172-001870 | 7 - 14 | J211-000430 | 9 - 41 |
| 123133-04260 | 5 - 22 | A200-000852 | 4 - 4 | P003-001510 | 5 - 28 |
| 123136-09660 | 5 - 34 | A202-000240 | 4 - 1 | P003-001850 | 5 - 9 |
| 123137-19830 | 5 - 7 | A204-000220 | 4 - 11 | P003-002260 | 5 - 25 |
| 123138-03930 | 5 - 13 | A219-000040 | 2 - 2 | P003-002380 | 5 - 31 |
| 123139-03930 | 5 - 12 | A226-001580 | 4 - 8 | P003-003180 | 5 - 23 |
| 123140-03930 | 5 - 8 | A232-001770 | 4 - 9 | P003-003190 | 5 - 27 |
| 123142-03930 | 5 - 11 | A235-000270 | 4 - 10 | P003-004460 | 5 - 30 |
| 123146-10631 | 5 - 15 | A240-000111 | 4 - 16 | P003-004470 | 5 - 21 |
| 123149-26030 | 5 - 26 | A301-000060 | 6 - 6 | P003-004960 | 5 - 3 |
| 123185-09660 | 5 - 33 | A310-000450 | 6 - 4 | P003-005230 | 5 - 20 |
| 123186-09660 | 5 - 32 | A313-001880 | 6 - 3 | P021-023110 | 9 - 45 |
| 131205-19832 | 8 - 8 | A313-001890 | 6 - 2 | P021-026383 | 9 - 34 |
| 131300-56431 | 8 - 5 | A356-000130 | 2 - 7 | P021-026703 | 9 - 7 |
| 132010-56030 | 4 - 7 | A409-001151 | 3 - 1 | P021-035121 | 8 - 6 |
| 175114-12530 | 9 - 9 | A425-000000 | 3 - 9 | P021-037400 | 2 - 23 |
| 437239-14730 | 2 - 11 | A426-000040 | 3 - 12 | P021-040340 | 1 - 1 |
| 890316-39131 | 9 - 44 | A427-000160 | 3 - 13 | P021-048070 | 2 - 4 |
| 890345-39231 | 2 - 40 | A510-000130 | 7 - 3 | P021-048081 | 8 - 3 |
| 900105-04006 | 6 - 7 | A514-000220 | 3 - 3 | P022-004630 | 7 - 8 |
| 900105-05012 | 9 - 18 | A552-000230 | 9 - 3 | P022-006250 | 7 - 7 |
| 900105-05016 | 2 - 16 | A552-000240 | 9 - 5 | P022-035130 | 7 - 10 |
| 900105-05018 | 1 - 3 | A555-000210 | 9 - 2 | P022-036740 | 7 - 4 |
| 900105-05030 | 2 - 19 | A556-001121 | 9 - 8 | P022-036750 | 7 - 5 |
| 900212-04008 | 2 - 27 | C020-000040 | 2 - 21 | P022-036760 | 7 - 6 |
| 900253-04008 | 9 - 21 | C022-000121 | 2 - 33 | P022-036770 | 7 - 9 |
| 900330-30120 | 9 - 31 | C040-000511 | 8 - 1 | P022-036780 | 7 - 11 |
| 900330-40080 | 9 - 35 | C209-000070 | 2 - 35 | P022-038520 | 7 - 2 |
| 900600-00005 | 2 - 20 | C211-000010 | 2 - 37 | P100-000340 | 6 - 1 |
| 900600-00005 | 4 - 15 | C236-000060 | 2 - 38 | P100-000370 | 1 - 4 |
| 900603-00004 | 2 - 26 | C300-001050 | 9 - 19 | V100-000750 | 1 - 2 |
| 900720-20007 | 3 - 14 | C302-000030 | 9 - 22 | V102-000142 | 2 - 14 |
| 91100-05048 | 4 - 14 | C304-000200 | 9 - 17 | V104-001581 | 6 - 8 |
| 91142-05008 | 2 - 30 | C305-000260 | 9 - 20 | V107-000070 | 8 - 19 |
| 91381-04010 | 9 - 27 | C305-000440 | 9 - 16 | V107-000090 | 2 - 22 |
| 91449-04022 | 8 - 17 | C309-000110 | 9 - 13 | V130-000170 | 4 - 17 |
| 91578-04006 | 6 - 5 | C310-000110 | 2 - 17 | V131-000190 | 7 - 16 |
| 93042-40100 | 9 - 28 | C328-000210 | 9 - 24 | V133-000040 | 4 - 19 |

Index

| Patrs Number | Key No. | Patrs Number | Key No. | Patrs Number | Key No. |
|---------------------|----------------|---------------------|----------------|---------------------|----------------|
| V141-000100 | 2 - 25 | V490-000500 | 2 - 36 | | |
| V152-002430 | 9 - 14 | V490-000500 | 8 - 9 | | |
| V202-000200 | 2 - 3 | V505-000070 | 2 - 6 | | |
| V202-000200 | 4 - 5 | V508-000070 | 2 - 9 | | |
| V202-000200 | 4 - 13 | V555-000140 | 1 - 8 | | |
| V202-000200 | 7 - 15 | V555-000150 | 9 - 6 | | |
| V202-000260 | 8 - 25 | V580-000010 | 1 - 7 | | |
| V202-000350 | 4 - 2 | V581-000280 | 4 - 12 | | |
| V202-000490 | 9 - 39 | V592-000310 | 2 - 5 | | |
| V202-000520 | 2 - 39 | V592-000320 | 2 - 8 | | |
| V202-000540 | 3 - 10 | V608-000070 | 1 - 6 | | |
| V203-001400 | 2 - 13 | V629-000000 | 2 - 12 | | |
| V203-001410 | 9 - 42 | V651-000790 | 9 - 15 | | |
| V203-001450 | 2 - 15 | X123-000580 | 10 - 6 | | |
| V203-001470 | 9 - 36 | X243-000000 | 10 - 7 | | |
| V203-001480 | 8 - 22 | X490-000570 | 10 - 1 | | |
| V203-001490 | 8 - 2 | X502-000760 | 7 - 17 | | |
| V203-001880 | 6 - 9 | X502-000770 | 9 - 43 | | |
| V204-000620 | 3 - 6 | X503-013050 | 4 - 20 | | |
| V225-000150 | 2 - 10 | X602-000150 | 10 - 2 | | |
| V253-000610 | 9 - 12 | X605-000090 | 10 - 3 | | |
| V265-000200 | 9 - 23 | X605-000100 | 10 - 4 | | |
| V265-000211 | 9 - 11 | X705-000130 | 10 - 5 | | |
| V265-000220 | 3 - 8 | | | | |
| V266-000090 | 2 - 24 | | | | |
| V303-000320 | 9 - 40 | | | | |
| V304-000270 | 3 - 5 | | | | |
| V307-000451 | 9 - 10 | | | | |
| V353-000460 | 2 - 18 | | | | |
| V355-000460 | 2 - 28 | | | | |
| V359-000380 | 4 - 3 | | | | |
| V376-001400 | 7 - 13 | | | | |
| V400-000080 | 8 - 24 | | | | |
| V401-000290 | 8 - 21 | | | | |
| V420-002740 | 2 - 32 | | | | |
| V420-002770 | 2 - 31 | | | | |
| V420-002810 | 8 - 20 | | | | |
| V421-000070 | 8 - 23 | | | | |
| V423-000080 | 2 - 29 | | | | |
| V450-001160 | 9 - 37 | | | | |
| V450-001170 | 7 - 12 | | | | |
| V451-000930 | 9 - 4 | | | | |
| V452-000850 | 8 - 13 | | | | |
| V452-000860 | 9 - 32 | | | | |
| V452-000870 | 3 - 4 | | | | |
| V470-001520 | 8 - 7 | | | | |
| V470-001530 | 8 - 4 | | | | |
| V470-001840 | 2 - 34 | | | | |
| V475-005180 | 3 - 11 | | | | |

YAMABIKO CORPORATION

7-2 SUEHIROCHO 1-CHOME, OHME, TOKYO 198-8760, JAPAN
PHONE: 81-428-32-6118. FAX: 81-428-32-6145.

The ECHO logo features the word "ECHO" in a bold, italicized, sans-serif font. To the left of the text is a circular emblem containing a stylized 'E' shape. A registered trademark symbol (®) is located at the end of the word.

ECHO®



-14K
No. 07-093