



PARTS CATALOG

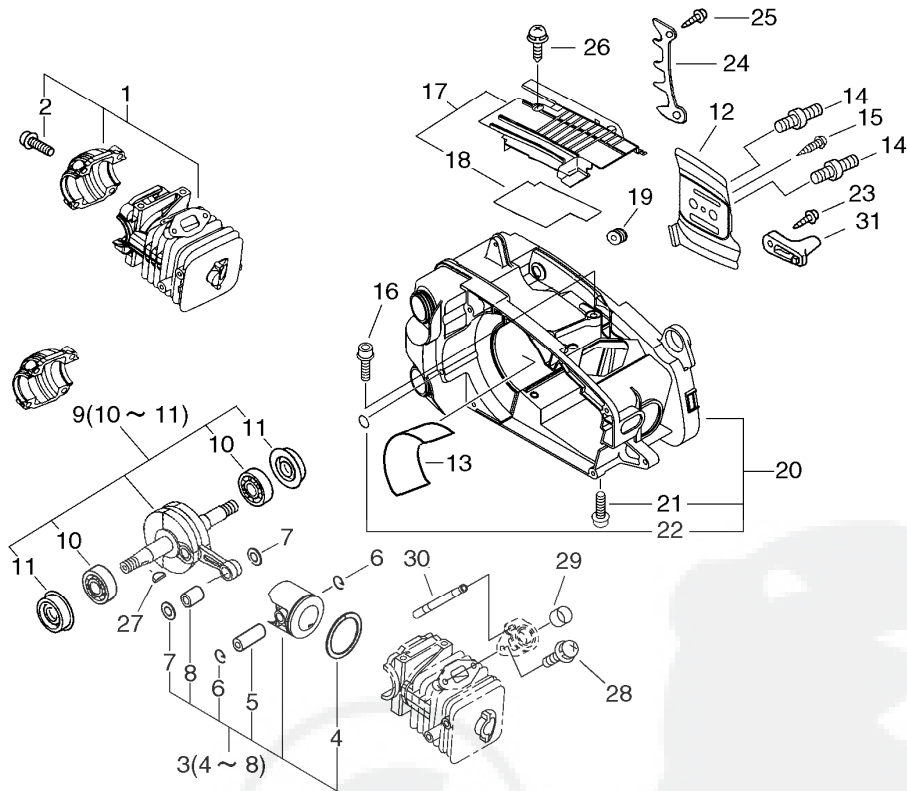
CHAIN SAW CS-360WES(37)

37002001 - 37012950

CE

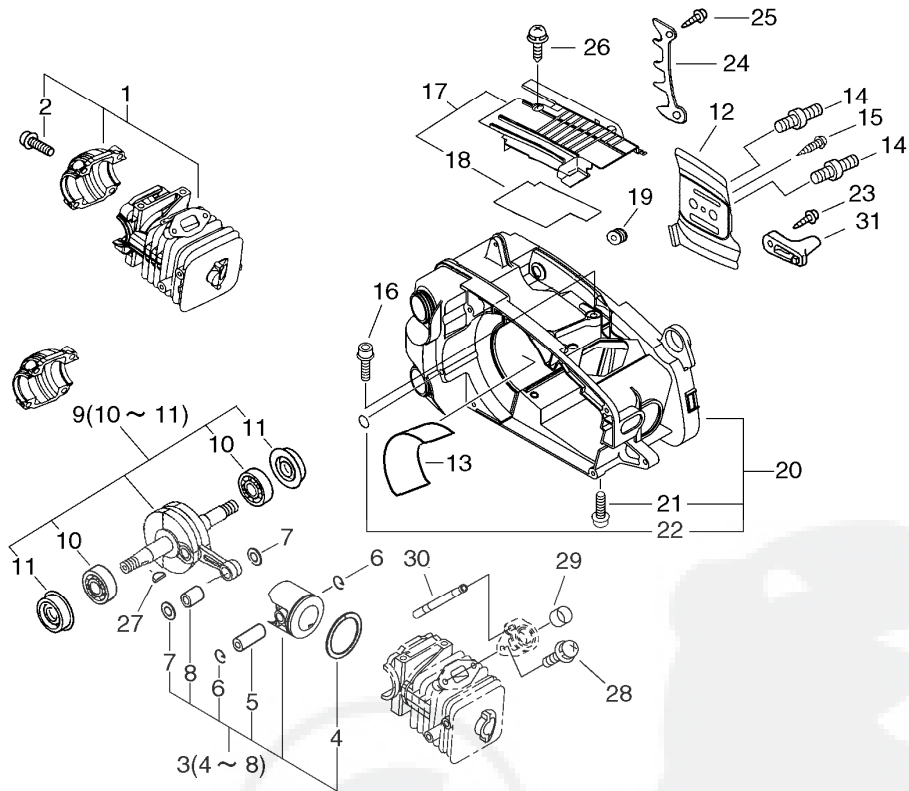
P014-001681-12Cd

1. CYLINDER, PISTON, CRANKSHAFT



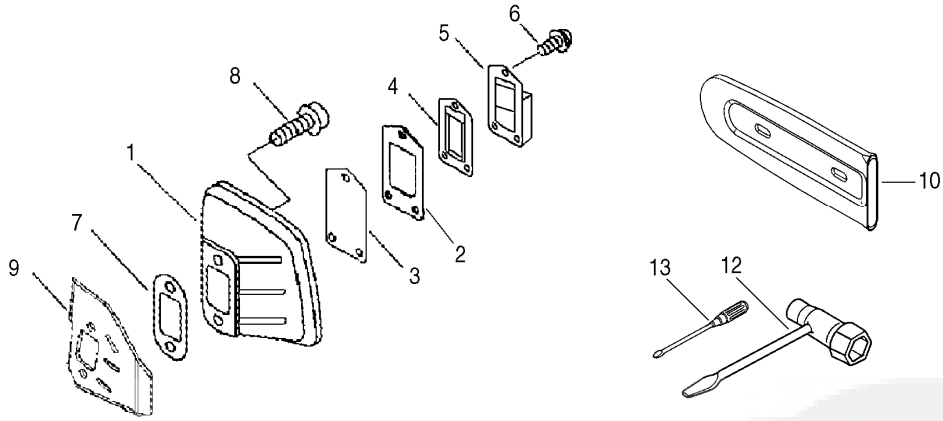
KEY	LV	PART NUMBER	Q'TY	DESCRIPTION	REMARKS	NOTE1	NOTE2
1		P021-039130	1	CRANKCASE SET		039131	
1		P021-039131	1	CRANKCASE SET			
2	+	900162-05025	4	BOLT, H.S. 5*25	5*25 W,SW		
3		P021-039150	1	PISTON KIT			
4	+	A101-000640	1	RING, PISTON			
5	+	100013-15330	1	PIN, PISTON	5.5*8*29		
6	+	100015-04630	2	CIRCLIP, PISTON PIN			
7	+	100014-60930	2	SPACER, PISTON PIN			
8	+	V553-000040	1	BEARING, NEEDLE 8	8E-		
9		P021-039160	1	CRANKSHAFT ASY			
10	+	94035-36201	2	BEARING BALL	6201X3JR2C3		
11	+	V505-000011	2	SEAL, OIL 12	12*32*5.5		
12		C305-000080	1	PLATE, SPROCKET GUARD	T0.3		
13		V420-001110	1	CUSHION			
14		V224-000031	2	BOLT, STUD 6			
15		900253-04010	1	SCREW 4*10	4*10		
16		900106-05020	2	BOLT, H.S. 5*20	5*20		
17		P021-008741	1	DUSTCOVER SET			
18	+	V341-000040	1	WASHER, SQUARE			
19		163911-30130	1	PLUG			
20		P021-040640	1	COVER, ENGINE KIT			
21	+	900106-05030	2	BOLT, H.S.H. 5*30	5*30		
22	+	900724-00004	1	O-RING (S-4)	S-4		

1. CYLINDER, PISTON, CRANKSHAFT



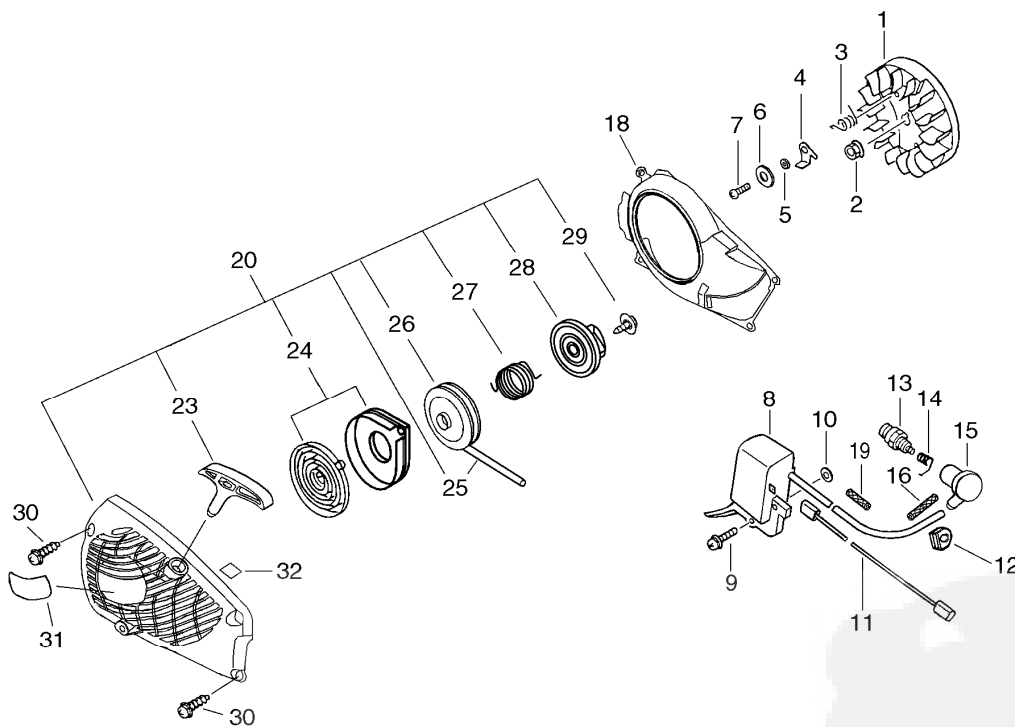
KEY	LV	PART NUMBER	Q'TY	DESCRIPTION	REMARKS	NOTE1	NOTE2
23		900253-05020	1	SCREW 5*20	5*20		
24		C304-000000	1	SPIKE			
25		900253-05020	1	SCREW 5*20	5*20		
26		900253-04012	2	SCREW	4*12		
27		100142-12330	1	KEY, WOODRUFF			
28		900238-05012	2	SCREW 5*12	5*12		
29		V359-000060	1	COLLAR,16			
30		V470-000482	1	PIPE			
31		433026-35430	1	CATCHER, CHAIN			

2. MUFFLER



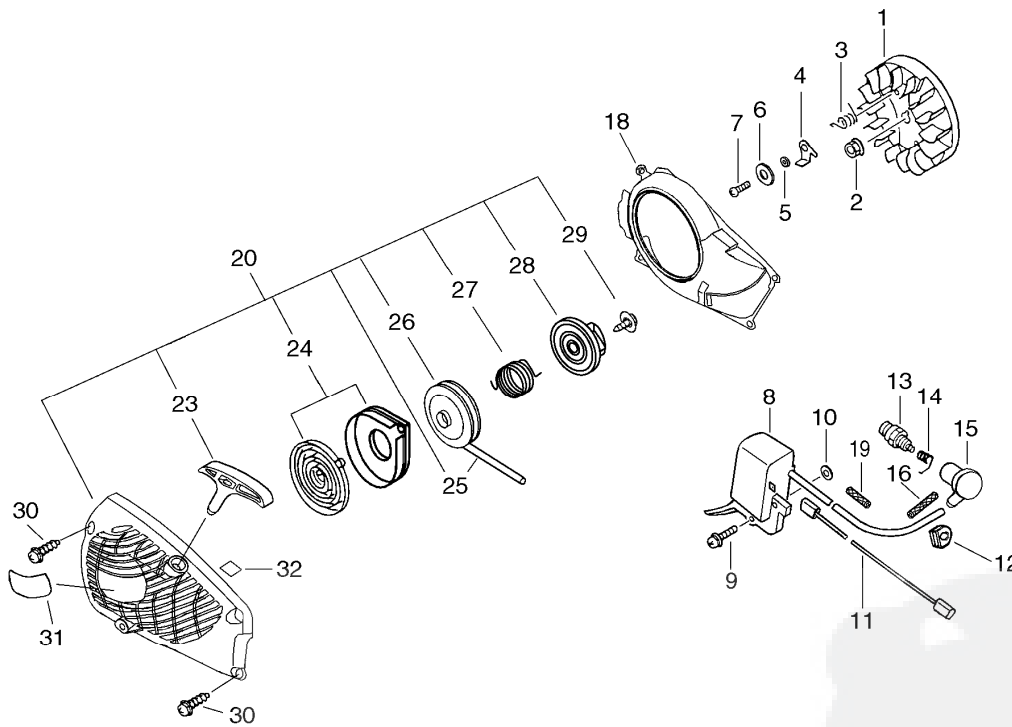
KEY	LV	PART NUMBER	Q'TY	DESCRIPTION	REMARKS	NOTE1	NOTE2
1		A300-001660	1	MUFFLER, EXHAUST			
2		V104-001980	1	GASKET, EXHAUST			
3		A310-000431	1	SCREEN, ARRESTOR			
4		A313-001921	1	GUIDE, EXHAUST			
5		A313-001870	1	GUIDE, EXHAUST			
6		900242-04012	3	SCREW 4*12	4*12		
7		V104-001960	1	GASKET, EXHAUST			
8		900105-05018	2	BOLT, H.S. 5*18	5*18		
9		A312-000070	1	PLATE, EXHUST			
10		X490-000510	1	SCABBARD, CHAIN			
12		895410-03930	1	WRENCH, W/S. DRIVER			
13		895812-03930	1	DRIVER, SCREW 50			

3. RECOIL STARTER, MAGNETO



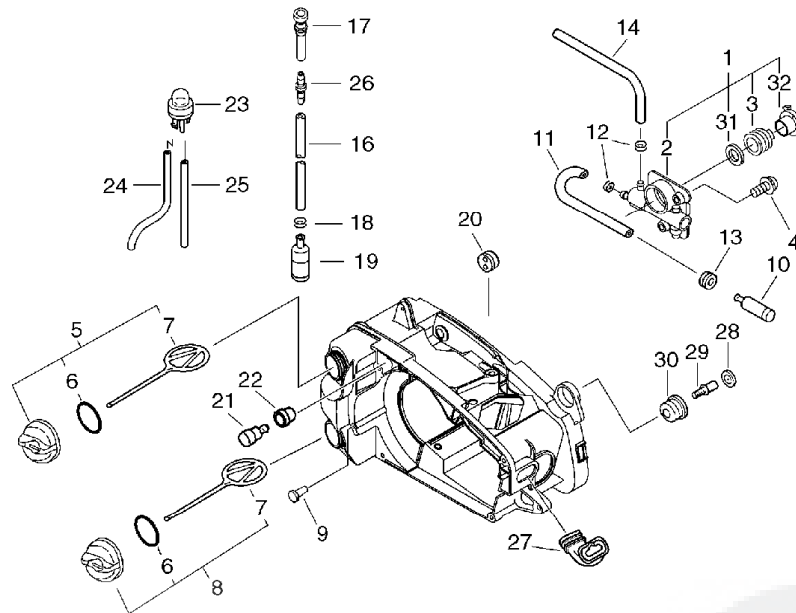
KEY	LV	PART NUMBER	Q'TY	DESCRIPTION	REMARKS	NOTE1	NOTE2
1		A409-001180	1	ROTOR, MAGNETO			
2		900515-00008	1	NUT, FLANGE 8	8		
3		177234-35430	2	SPRING, RETURN			
4		A514-000020	2	PAWL			
5		177247-04630	2	SPACER, RATCHET	5.2*8*2.1		
6		900603-00005	2	WASHER 5	5.5*12*0.8		
7		V203-000080	2	BOLT,5	5*14		
8		P021-047430	1	COIL, IGNITION			
9		900238-05020	2	SCREW 5*20	5*20		
10		150117-16430	2	SPACER			
11		V485-000550	1	LEAD	AMP-187 AMP-250		
12		156110-04920	1	BUSHING			
13		A425-000000	1	SPARKPLUG	BPMR8Y		
14		A426-000000	1	TERMINAL, SPARKPLUG			
15		A427-000000	1	CAP, SPARK PLUG			
16		V475-002390	1	TUBE			
18		A172-002190	1	COVER, FAN			
19		V475-007430	1	TUBE			
20		A051-000804	1	STARTER, RECOIL			
23	+	P022-005891	1	GRIP, STARTER			
24	+	P022-001330	1	SPRING KIT, REWIND			
25	+	P022-008440	1	ROPE, STARTER	3.5*900		
26	+	A506-000460	1	REEL, ROPE			
27	+	V452-001320	1	SPRING, TORSION			

3. RECOIL STARTER, MAGNETO



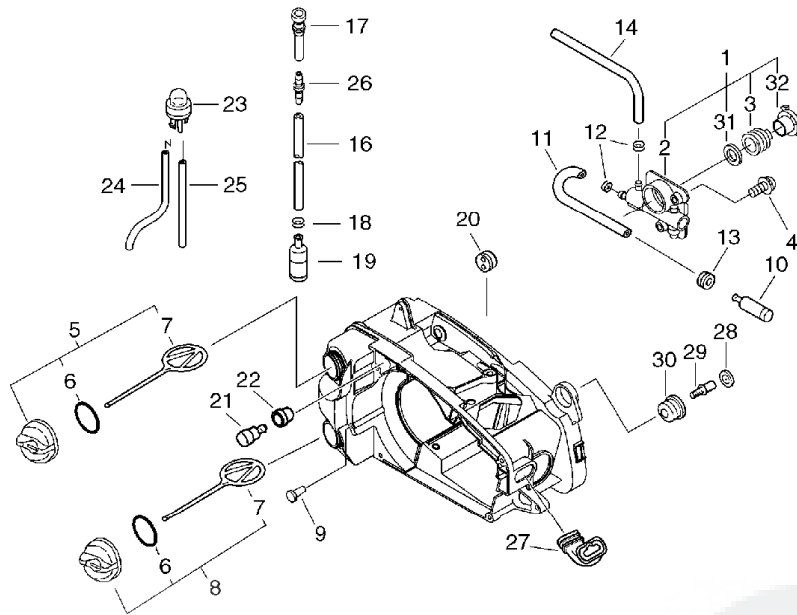
KEY	LV	PART NUMBER	Q'TY	DESCRIPTION	REMARKS	NOTE1	NOTE2
28	+	A507-000110	1	CATCHER,PAWL			
29	+	177236-61830	1	SCREW			
30		900256-04016	4	SCREW 4*16			
31		X502-000102	1	LABEL,ECHO			
32		X505-006920	1	LABEL,CAUTION	13000R/MIN		

4. AUTO-OILER



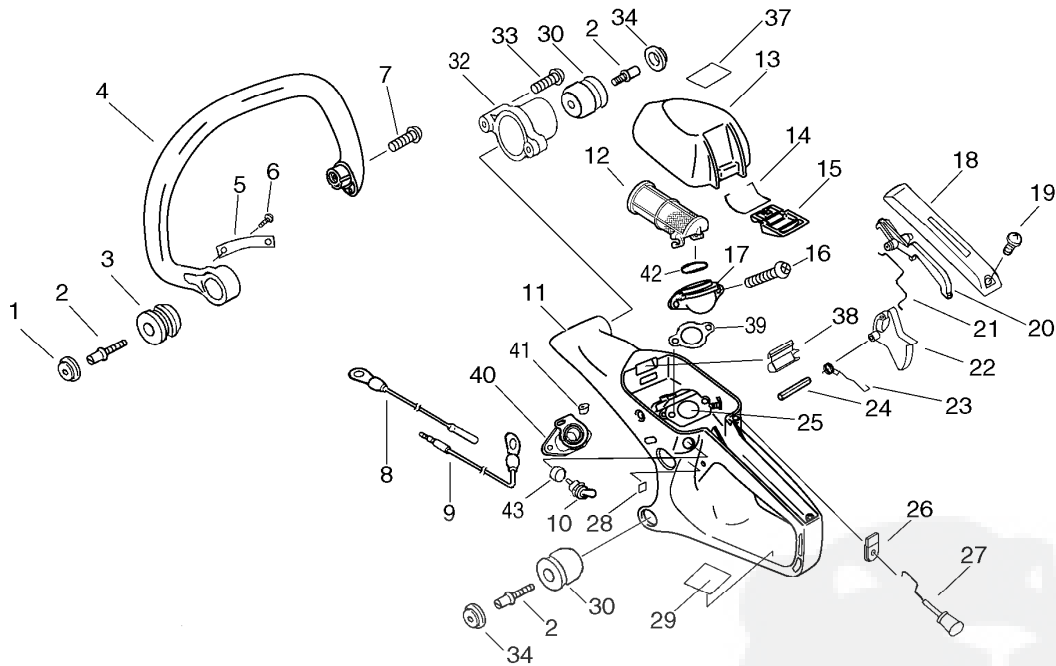
KEY	LV	PART NUMBER	Q'TY	DESCRIPTION	REMARKS	NOTE1	NOTE2
1		P021-010890	1	AUTO-OILER ASY			
2	+	C022-000020	1	AUTO-OILER ASSEMBLY			
3	+	V652-000030	1	GEAR,WORM			
31	+	V308-000030	1	WASHER,CIRCULAR 11	10.5*17.4*1.8		
32	+	V356-000290	1	COLLAR,10			
4		900238-04012	2	SCREW 4*12	4*12		
5		P021-005592	1	FUEL CAP ASY			
6	+	900720-00018	1	O-RING 18	P-18		
7	+	A365-000050	1	CONNECTOR,CAP			
8		P021-005581	1	OIL CAP ASY			
6	+	900720-00018	1	O-RING 18	P-18		
7	+	A365-000050	1	CONNECTOR,CAP			
9		436114-13930	1	VALVE, CHECK			
10		436205-02832	1	STRAINER, OIL			
11		V471-000740	1	PIPE			
12		132013-26630	2	CLIP	6.5MM	Sus. by V490-	
12		V490-001230	2	CLIP			
13		132115-01461	1	GROMMET			
14		V471-000760	1	PIPE			
16		V471-000750	1	PIPE			
17		V470-000321	1	PIPE	10*6*L32		
18		132013-09820	1	CLIP	6MM		
19		131205-14930	1	STRAINER,FUEL			

4. AUTO-OILER



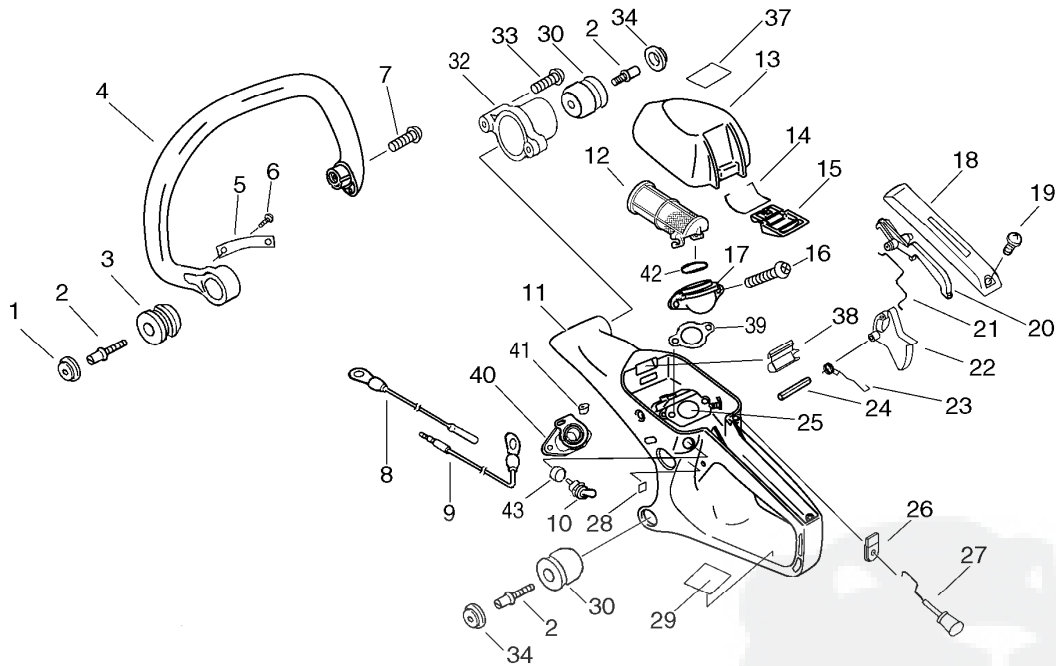
KEY	LV	PART NUMBER	Q'TY	DESCRIPTION	REMARKS	NOTE1	NOTE2
20		132115-44330	1	GROMMET			
21		131300-56431	1	VENT ASSEMBLY, FUEL			
22		V137-000000	1	GROMMET, FUEL			
23		123181-39130	1	PUMP, PRIMER			
24		V471-001440	1	PIPE	2.4*5*295		
25		V471-001290	1	PIPE	2.4*5*75		
26		V186-000510	1	JOINT, PIPE			
27		A239-000030	1	PIPE, INTAKE	L TYPE		
28		100918-15130	1	CAP			
29		V202-000020	1	BOLT, 4			
30		100910-18830	1	CUSHION			

5. HANDLE



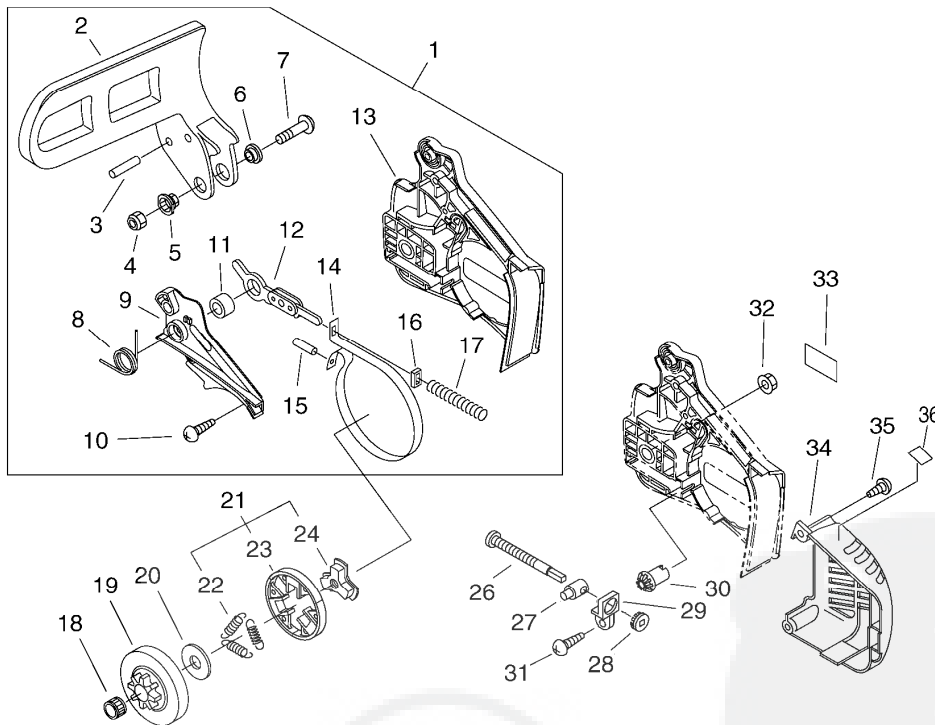
KEY	LV	PART NUMBER	Q'TY	DESCRIPTION	REMARKS	NOTE1	NOTE2
1		100918-14330	1	CAP, CUSHION			
2		V202-000020	3	BOLT,4			
3		V401-000120	1	CUSHION,5			
4		C400-000321	1	HANDLE,FRONT			
5		C617-000200	1	STOPPER			
6		900253-04008	1	SCREW 4*8	4*8		
7		900253-05020	2	SCREW 5*20	5*20		
8		V485-000560	1	LEAD	CB-104 LA-105		
9		V485-000571	1	LEAD			
10		163400-38430	1	SWITCH, IGNITION			
11		C410-000253	1	HANDLE,REAR			
12		A226-001700	1	ELEMENT, AIR FILTER			
13		A232-000191	1	LID,CLEANER			
14		V582-000020	1	RING,SNAP	CSE2700		
15		A235-000140	1	KNOB,CLEANER LID			
16		900238-05050	2	SCREW 5*50	5*50		
17		A204-000060	1	ELBOW,CARBURETOR			
18		C411-000001	1	LID,HANDLE			
19		900253-04012	1	SCREW	4*12		
20		178090-37930	1	LOCKOUT, T. CONTROL			
21		C454-000110	1	ROD, THROTTLE			
22		C450-000141	1	TRIGGER,THROTTLE			
23		V452-000260	1	SPRING,TORSION			
24		900345-40025	1	PIN, SPRING 4*25SUS	4*25SUS		

5. HANDLE



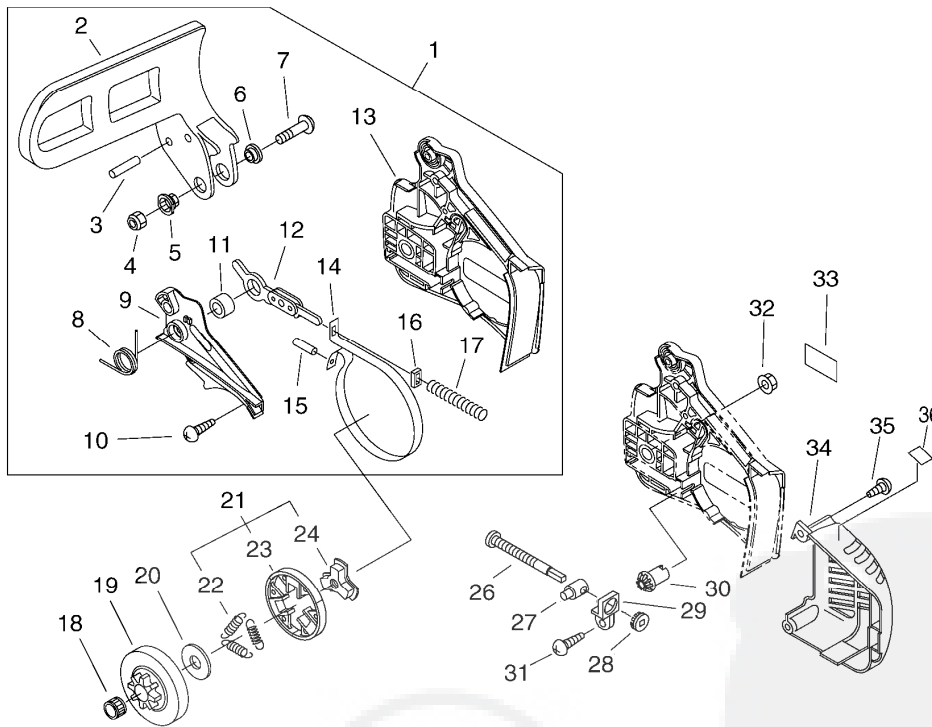
KEY	LV	PART NUMBER	Q'TY	DESCRIPTION	REMARKS	NOTE1	NOTE2
25		A021-003780	1	CARBURETOR,DIAPHRAGM			
26		V130-000010	1	GROMMET,CHOKE			
27		A241-000060	1	KNOB,CHOKE			
28		890157-39130	1	LABEL, SWITCH			
29		890345-39230	1	LABEL,CAUTION			
30		V400-000070	2	CUSHION,4			
32		V424-000000	1	SLEEVE,CUSHION			
33		900253-04016	2	SCREW 4*16	4*16		
34		100918-15130	2	CAP			
37		X503-011380	1	LABEL,MODEL			
38		V142-000020	1	GROMMET,DUST			
39		V103-001510	1	GASKET,INTAKE			
40		A202-000033	1	BELLOWS,INTAKE			
41		V351-000000	1	COLLAR,3	3.2*6.5		
42		92505-10200	1	O-RING	JASO 1020		
43		A472-000091	1	CASE, SWITCH			

6. CLUTCH, SPROCKET, CHAIN BRAKE



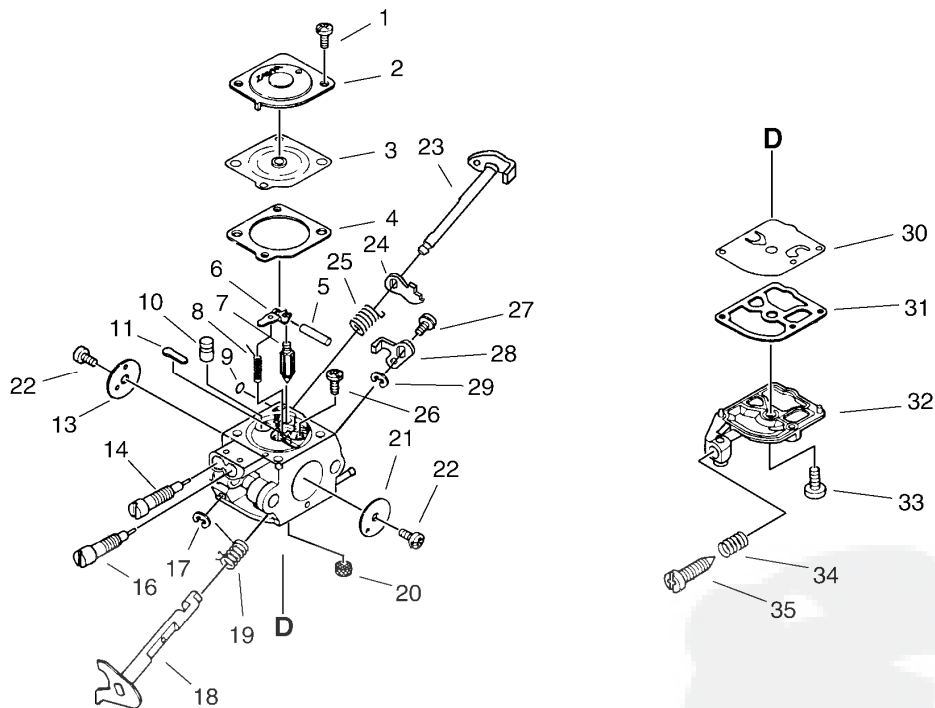
KEY	LV	PART NUMBER	Q'TY	DESCRIPTION	REMARKS	NOTE1	NOTE2
1		C032-000215	1	BRAKE,ASM CHAIN			
2	+	C320-000046	1	LEVER,BRAKE			
3	+	900330-30260	2	ROLLER 3*26	3*26		
4	+	900562-50005	1	LOCKNUT 5	5		
5	+	V353-000060	1	COLLAR,5			
6	+	433167-39130	1	SPACER			
7	+	91318-05032	1	SCREW	5*32		
8	+	V452-000110	1	SPRING,TORSION			
9	+	C345-000084	1	COVER,BRAKE			
10	+	900253-04012	3	SCREW	4*12		
11	+	433116-35430	1	SPACER 8	8*12*9		
12	+	C334-000070	1	CONNECTOR,BRAKE			
13	+	C300-000242	1	GUARD,SPROCKET			
14	+	C328-000030	1	BAND,BRAKE			
15	+	93050-30098	1	ROLLER	F3*9.8		
16	+	V376-000450	1	SPACER			
17	+	V450-000070	1	SPRING,COMPRESSION			
18		V555-000150	1	BEARING,NEEDLE			
19		175005-39133	1	DRUM, CLUTCH			
20		A551-000010	1	PLATE,CLUTCH			
21		A056-000070	1	CLUTCH			
22	+	V451-000470	3	SPRING,TENSION			
23	+	P021-005810	1	CLUTCH SHOE SET			
24	+	A552-000020	1	HUB,CLUTCH			
26		V203-000041	1	BOLT,5			

6. CLUTCH, SPROCKET, CHAIN BRAKE



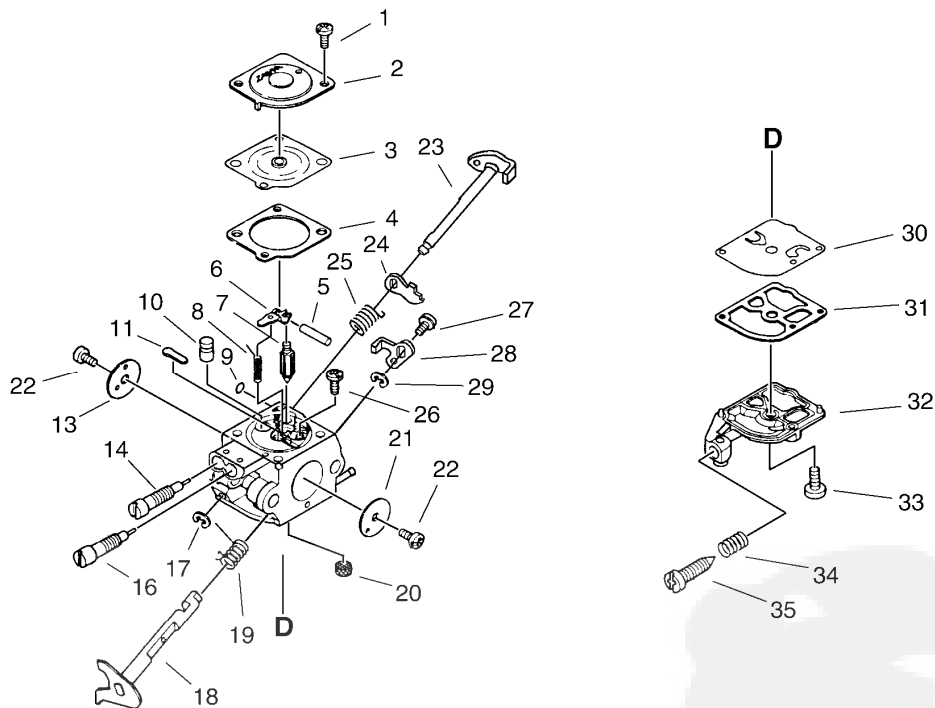
KEY	LV	PART NUMBER	Q'TY	DESCRIPTION	REMARKS	NOTE1	NOTE2
27		C309-000030	1	TENSIONER,CHAIN			
28		V651-000011	1	GEAR,BEVEL			
29		V355-000140	1	COLLAR,8			
30		V651-000001	1	GEAR,BEVEL			
31		900253-04012	1	SCREW	4*12		
32		433019-03933	2	NUT, FLANGE 6	6		
33		X502-000340	1	LABEL,ECHO	ECHO(WHITE)		
34		A320-000960	1	COVER,MUFFLER			
35		900253-04016	2	SCREW 4*16	4*16		
36		X505-002310	1	LABEL,CAUTION	HOT CAUTION		

7. CARBURETOR



KEY	LV	PART NUMBER	Q'TY	DESCRIPTION	REMARKS	NOTE1	NOTE2
		A021-003780	1	CARBURETOR,DIAPHRAGM			
1	+	125344-52130	2	SCREW			
2	+	125342-52130	1	COVER, DIAPHRAGM			
3	+	P005-002230	1	DIAPHRAGM ,METERING			
4	+	125340-51030	1	GASKET, DIAPHRAGM			
5	+	125338-13930	1	PIN, METERING ARM			
6	+	125323-08260	1	ARM, VALVE			
7	+	125337-08260	1	VALVE, INLET NEEDLE			
8	+	125322-13930	1	SPRING, COIL			
9	+	125345-13310	1	PLUG, WELCH			
10	+	P005-002320	1	NOZZLE CHECK VALVE			
11	+	P005-002400	1	PLUG, WELCH			
13	+	P005-000900	1	VALVE, CHOKE			
14	+	P005-002370	1	NEEDLE, HIGH SPEED			
16	+	P005-002380	1	NEEDLE, IDLE			
17	+	125327-15130	1	CLIP			
18	+	P005-002330	1	SHAFT ASY,THROTTLE			
19	+	P005-000790	1	SPRING,THRT.RETURN			
20	+	P005-000860	1	SCREEN, FUEL INLET			
21	+	P005-002350	1	VALVE, THROTTLE			
22	+	125314-51230	2	SCREW	3*4.5		
23	+	P003-002390	1	VALVE ASY THROTTLE			
24	+	P005-001300	1	LEVER, CHOKE			
25	+	P005-000880	1	SPRING, CHOKE RETURN			
26	+	125339-13930	1	SCREW			

7. CARBURETOR



KEY	LV	PART NUMBER	Q'TY	DESCRIPTION	REMARKS	NOTE1	NOTE2
27	+	125348-13930	1	SCREW			
28	+	P005-002340	1	LEVER, THROTTLE			
29	+	125327-13930	1	CLIP			
30	+	P005-001110	1	DIAPHRAGM, PUMP			
31	+	125325-08360	2	GASKET, PUMP			
32	+	P005-002360	1	COVER, PUMP			
33	+	125310-13930	1	SCREW			
34	+	125333-33330	1	SPRING, IDLE ADJUST			
35	+	125344-08560	1	SCREW			

8. GUIDE BAR, CHAIN

1A	30RC50M-3/8	2A	91VX-47E
1A	30RC50M-3/8	3A	91VG-47E
1B	35RC50M-3/8	2B	91VX-53E
1B	35RC50M-3/8	3B	91VG-53E
1C	40RC50-3/8	2C	91VX-58E
1C	40RC50-3/8	3C	91VG-58E
1D	35RC50-3/8E	2D	91VX-53E
1D	35RC50-3/8E	3D	91VG-53E
1E	30C50SL	2E	25AP-68E
1E	30C50SL	3E	25A-68E
1F	35C50SL	2F	25AP-76E
1F	35C50SL	3F	25A-76E

KEY	LV	PART NUMBER	Q'TY	DESCRIPTION	REMARKS	NOTE1	NOTE2
					30RC50M-3/8		
1A		X122-000072	1	BAR,GUIDE 30	ECHO		
2A		431010-39931	1	CHAIN, SAW 91VX-47E	91VX-47E		
3A		431010-39230	1	CHAIN, SAW 91VG-47E	91VG-47E 30C		
1B		X123-000132	1	BAR,GUIDE 35	35RC50M-3/8		
2B		431019-39931	1	CHAIN,SAW	91VX-53E		
3B		431019-39230	1	CHAIN, SAW 91VG-53E	91VG-53E 35C		
1C		430211-13432	1	BAR,GUIDE 40RC50-3/8	40RC50-3/8		
2C		431011-39431	1	CHAIN, SAW 91VX-58E	91VX-58E		
3C		431011-39230	1	CHAIN, SAW 91VG-58E	91VG-58E		
1D		430219-38732	1	BAR, GUIDE 35RC503/8	35RC50L-3/8E-1-		
2D		431019-39931	1	CHAIN,SAW	91VX-53E		
3D		431019-39230	1	CHAIN, SAW 91VG-53E	91VG-53E 35C		
1E		X102-000070	1	BAR,GUIDE 30	30C50SL ECHO		
2E		431611-10030	1	CHAIN, SAW 25AP-68E	25AP-68E		
3E		X202-000010	1	CHAIN,SAW	25A-68E		
1F		X103-000110	1	BAR,GUIDE 35	35C50SL ECHO		
2F		431612-10030	1	CHAIN, SAW 25AP-76E	25AP-76E		
3F		X203-000000	1	CHAIN,SAW	25A-76E		

Index

Patrs Number	Key No.	Patrs Number	Key No.	Patrs Number	Key No.
100013-15330	1 - 5	431019-39931	8 - 2B	A051-000804	3 - 20
100014-60930	1 - 7	431019-39931	8 - 2D	A056-000070	6 - 21
100015-04630	1 - 6	431611-10030	8 - 2E	A101-000640	1 - 4
100142-12330	1 - 27	431612-10030	8 - 2F	A172-002190	3 - 18
100910-18830	4 - 30	433019-03933	6 - 32	A202-000033	5 - 40
100918-14330	5 - 1	433026-35430	1 - 31	A204-000060	5 - 17
100918-15130	4 - 28	433116-35430	6 - 11	A226-001700	5 - 12
100918-15130	5 - 34	433167-39130	6 - 6	A232-000191	5 - 13
123181-39130	4 - 23	436114-13930	4 - 9	A235-000140	5 - 15
125310-13930	7 - 33	436205-02832	4 - 10	A239-000030	4 - 27
125314-51230	7 - 22	890157-39130	5 - 28	A241-000060	5 - 27
125322-13930	7 - 8	890345-39230	5 - 29	A300-001660	2 - 1
125323-08260	7 - 6	895410-03930	2 - 12	A310-000431	2 - 3
125325-08360	7 - 31	895812-03930	2 - 13	A312-000070	2 - 9
125327-13930	7 - 29	900105-05018	2 - 8	A313-001870	2 - 5
125327-15130	7 - 17	900106-05020	1 - 16	A313-001921	2 - 4
125333-33330	7 - 34	900106-05030	1 - 21	A320-000960	6 - 34
125337-08260	7 - 7	900162-05025	1 - 2	A365-000050	4 - 7
125338-13930	7 - 5	900238-04012	4 - 4	A365-000050	4 - 7
125339-13930	7 - 26	900238-05012	1 - 28	A409-001180	3 - 1
125340-51030	7 - 4	900238-05020	3 - 9	A425-000000	3 - 13
125342-52130	7 - 2	900238-05050	5 - 16	A426-000000	3 - 14
125344-08560	7 - 35	900242-04012	2 - 6	A427-000000	3 - 15
125344-52130	7 - 1	900253-04008	5 - 6	A472-000091	5 - 43
125345-13310	7 - 9	900253-04010	1 - 15	A506-000460	3 - 26
125348-13930	7 - 27	900253-04012	1 - 26	A507-000110	3 - 28
131205-14930	4 - 19	900253-04012	5 - 19	A514-000020	3 - 4
131300-56431	4 - 21	900253-04012	6 - 10	A551-000010	6 - 20
132013-09820	4 - 18	900253-04012	6 - 31	A552-000020	6 - 24
132013-26630	4 - 12	900253-04016	5 - 33	C022-000020	4 - 2
132115-01461	4 - 13	900253-04016	6 - 35	C032-000215	6 - 1
132115-44330	4 - 20	900253-05020	1 - 23	C300-000242	6 - 13
150117-16430	3 - 10	900253-05020	1 - 25	C304-000000	1 - 24
156110-04920	3 - 12	900253-05020	5 - 7	C305-000080	1 - 12
163400-38430	5 - 10	900256-04016	3 - 30	C309-000030	6 - 27
163911-30130	1 - 19	900330-30260	6 - 3	C320-000046	6 - 2
175005-39133	6 - 19	900345-40025	5 - 24	C328-000030	6 - 14
177234-35430	3 - 3	900515-00008	3 - 2	C334-000070	6 - 12
177236-61830	3 - 29	900562-50005	6 - 4	C345-000084	6 - 9
177247-04630	3 - 5	900603-00005	3 - 6	C400-000321	5 - 4
178090-37930	5 - 20	900720-00018	4 - 6	C410-000253	5 - 11
430211-13432	8 - 1C	900720-00018	4 - 6	C411-000001	5 - 18
430219-38732	8 - 1D	900724-00004	1 - 22	C450-000141	5 - 22
431010-39230	8 - 3A	91318-05032	6 - 7	C454-000110	5 - 21
431010-39931	8 - 2A	92505-10200	5 - 42	C617-000200	5 - 5
431011-39230	8 - 3C	93050-30098	6 - 15	P003-002390	7 - 23
431011-39431	8 - 2C	94035-36201	1 - 10	P005-000790	7 - 19
431019-39230	8 - 3B	A021-003780	5 - 25	P005-000860	7 - 20
431019-39230	8 - 3D	A021-003780	7 -	P005-000880	7 - 25

Index

Patrs Number	Key No.	Patrs Number	Key No.	Patrs Number	Key No.
P005-000900	7 - 13	V424-000000	5 - 32		
P005-001110	7 - 30	V450-000070	6 - 17		
P005-001300	7 - 24	V451-000470	6 - 22		
P005-002230	7 - 3	V452-000110	6 - 8		
P005-002320	7 - 10	V452-000260	5 - 23		
P005-002330	7 - 18	V452-001320	3 - 27		
P005-002340	7 - 28	V470-000321	4 - 17		
P005-002350	7 - 21	V470-000482	1 - 30		
P005-002360	7 - 32	V471-000740	4 - 11		
P005-002370	7 - 14	V471-000750	4 - 16		
P005-002380	7 - 16	V471-000760	4 - 14		
P005-002400	7 - 11	V471-001290	4 - 25		
P021-005581	4 - 8	V471-001440	4 - 24		
P021-005592	4 - 5	V475-002390	3 - 16		
P021-005810	6 - 23	V475-007430	3 - 19		
P021-008741	1 - 17	V485-000550	3 - 11		
P021-010890	4 - 1	V485-000560	5 - 8		
P021-039130	1 - 1	V485-000571	5 - 9		
P021-039131	1 - 1	V490-001230	4 - 12		
P021-039150	1 - 3	V505-000011	1 - 11		
P021-039160	1 - 9	V553-000040	1 - 8		
P021-040640	1 - 20	V555-000150	6 - 18		
P021-047430	3 - 8	V582-000020	5 - 14		
P022-001330	3 - 24	V651-000001	6 - 30		
P022-005891	3 - 23	V651-000011	6 - 28		
P022-008440	3 - 25	V652-000030	4 - 3		
V103-001510	5 - 39	X102-000070	8 - 1E		
V104-001960	2 - 7	X103-000110	8 - 1F		
V104-001980	2 - 2	X122-000072	8 - 1A		
V130-000010	5 - 26	X123-000132	8 - 1B		
V137-000000	4 - 22	X202-000010	8 - 3E		
V142-000020	5 - 38	X203-000000	8 - 3F		
V186-000510	4 - 26	X490-000510	2 - 10		
V202-000020	4 - 29	X502-000102	3 - 31		
V202-000020	5 - 2	X502-000340	6 - 33		
V203-000041	6 - 26	X503-011380	5 - 37		
V203-000080	3 - 7	X505-002310	6 - 36		
V224-000031	1 - 14	X505-006920	3 - 32		
V308-000030	4 - 31				
V341-000040	1 - 18				
V351-000000	5 - 41				
V353-000060	6 - 5				
V355-000140	6 - 29				
V356-000290	4 - 32				
V359-000060	1 - 29				
V376-000450	6 - 16				
V400-000070	5 - 30				
V401-000120	5 - 3				
V420-001110	1 - 13				

YAMABIKO CORPORATION

7-2 SUEHIROCHO 1-CHOME, OHME, TOKYO 198-8760, JAPAN
PHONE: 81-428-32-6118. FAX: 81-428-32-6145.



ECHO®

12Cd
No. 04-096