



PARTS CATALOG

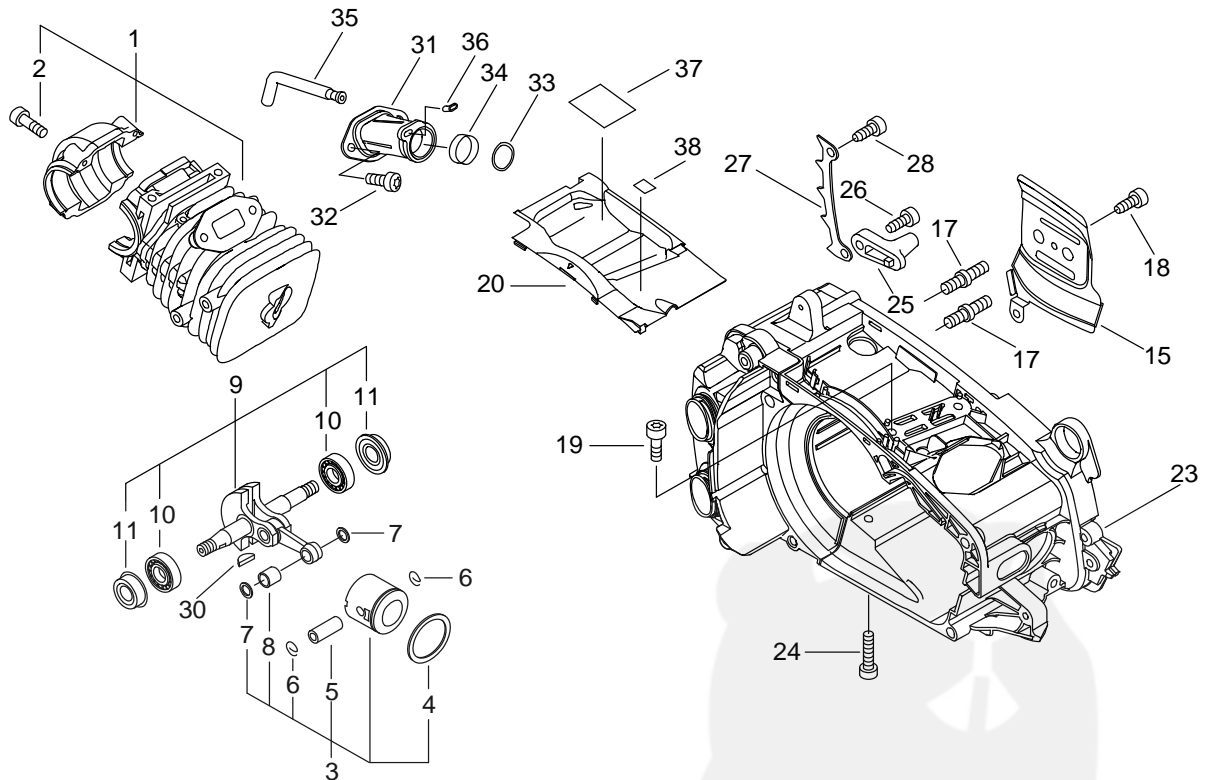
TOP HANDLE SAW CS-360TES(37)35

37000001 - 37003090

CE

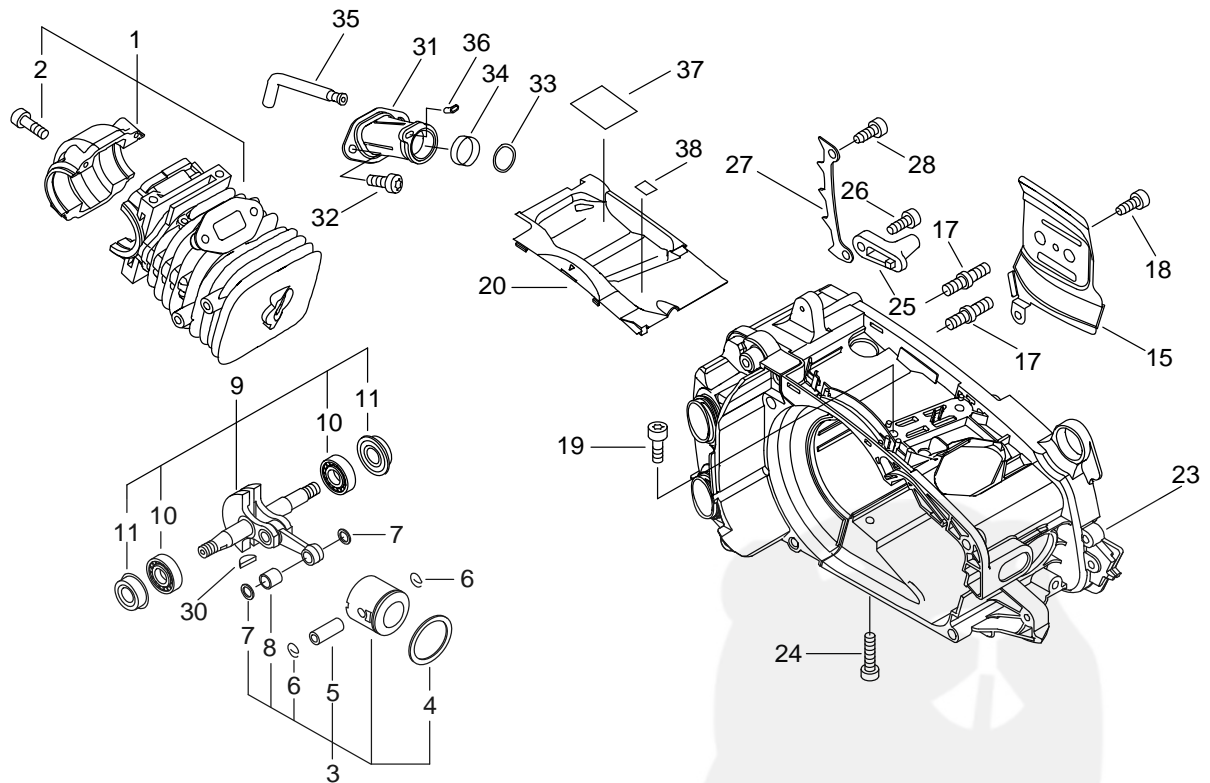
P014-003790-14Cb

1. CYLINDER, CRANKCASE, PISTON



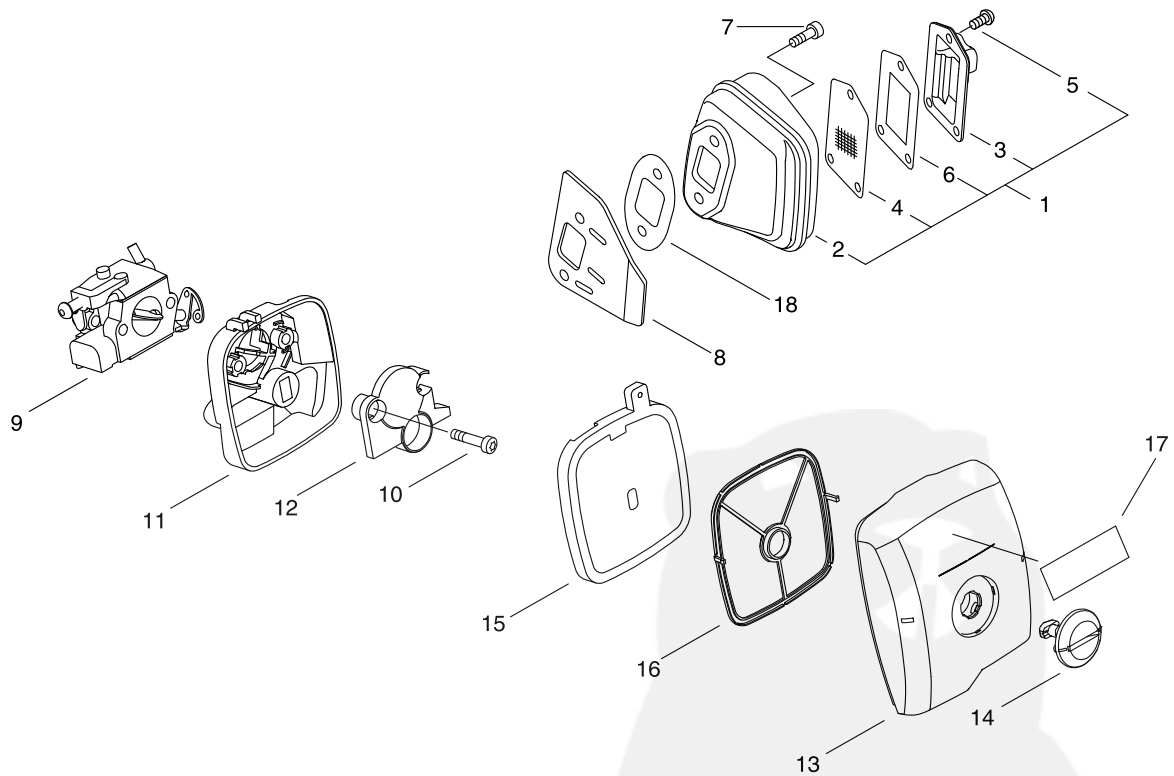
KEY	LV	PART NUMBER	Q'TY	DESCRIPTION	REMARKS	NOTE1	NOTE2
1		P021-045430	1	CRANKCASE SET			
2	+	V805-000210	4	BOLT, TORX 5	TB-5*20 12.9		
3		P021-045440	1	PISTON KIT			
4	+	A101-000670	1	RING, PISTON	39*1.2*1.7		
5	+	100013-15330	1	PIN, PISTON	5.5*8*29		
6	+	100015-04630	2	CIRCLIP, PISTON PIN			
7	+	100014-60930	2	SPACER, PISTON PIN			
8	+	V553-000130	1	BEARING, NEEDLE 8			
9		P021-039160	1	CRANKSHAFT ASY			
10	+	94035-36201	2	BEARING BALL	6201X3JR2C3		
11	+	V505-000011	2	SEAL, OIL 12	12*32*5.5		
15		C305-000430	1	PLATE, SPROCKET GUARD			
17		V225-000262	2	BOLT, STUD 8			
18		V804-000000	1	BOLT, TORX 4	TT-4*12 DG 10.9		
19		V805-000210	2	BOLT, TORX 5	TB-5*20 12.9		
20		A127-000370	1	COVER, DUST			
23		A190-001151	1	COVER, ENGINE			
24		V805-000180	2	BOLT, TORX 5	TB-5*30 12.9		
25		433026-35430	1	CATCHER, CHAIN			
26		V805-000010	1	BOLT, TORX 5	TT-5*20 DG 10.9		
27		C304-000000	1	SPIKE			
28		V805-000000	1	BOLT, TORX 5	TT-5*16 DG 10.9		

1. CYLINDER, CRANKCASE, PISTON



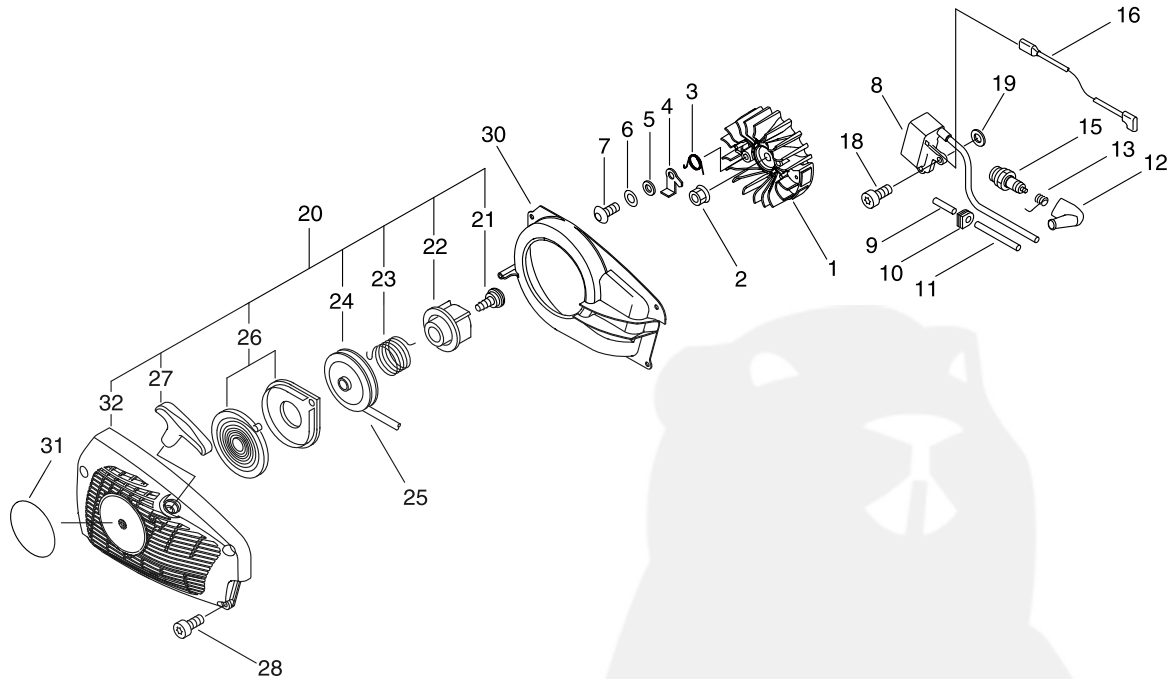
KEY	LV	PART NUMBER	Q'TY	DESCRIPTION	REMARKS	NOTE1	NOTE2
30		100142-12330	1	KEY, WOODRUFF			
31		A202-000231	1	BELLOWS, INTAKE			
32		V805-000140	2	BOLT, TORX 5	TB-5*12 10.9		
33		V311-000170	1	WASHER,CIRCULAR 16-1	T1.2		
34		V451-001411	1	SPRING,TENSION			
35		V470-001910	1	PIPE			
36		V351-000000	1	COLLAR,3	3.2*6.5		
37		X505-002441	1	LABEL,CAUTION			
38		X505-007760	1	LABEL,CAUTION	13800R/MIN		

2. AIR CLEANER, MUFFLER



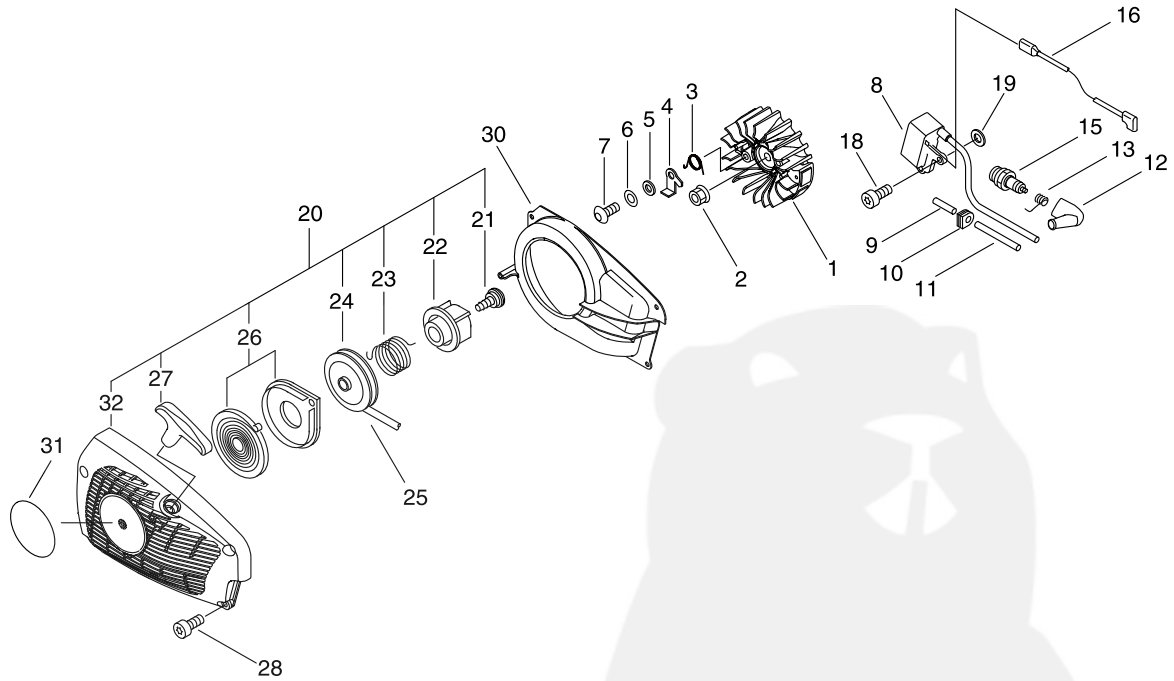
KEY	LV	PART NUMBER	Q'TY	DESCRIPTION	REMARKS	NOTE1	NOTE2
1		P021-045450	1	MUFFLER ASY			
2	+	A300-001840	1	MUFFLER, EXHAUST			
3	+	A313-001980	1	GUIDE, EXHAUST	ID# 2140		
4	+	A310-000431	1	SCREEN, ARRESTOR			
5	+	900242-04010	3	SCREW 4*10	4*10		
6	+	V104-001980	1	GASKET, EXHAUST			
7		V805-000250	2	BOLT, TORX 5	TB-5*16 12.9		
8		A312-000070	1	PLATE, EXHUST			
9		A021-004210	1	CARBURETOR,DIAPHRAGM	ZAMA		
10		V805-000080	2	BOLT, TORX 5	TB-5*50 10.9		
11		A225-000611	1	CASE,CLEANER			
12		A244-000280	1	PLATE, PREVENT			
13		A232-001652	1	LID,CLEANER			
14		A235-000361	1	KNOB,CLEANER LID			
15		A226-001820	1	ELEMENT, AIR FILTER			
16		A228-000030	1	SEAL,CLEANER			
17		X503-012640	1	LABEL,MODEL	CS-360TES EU		
18		V104-001960	1	GASKET,EXHAUST			

3. RECOIL STARTER, MAGNETO



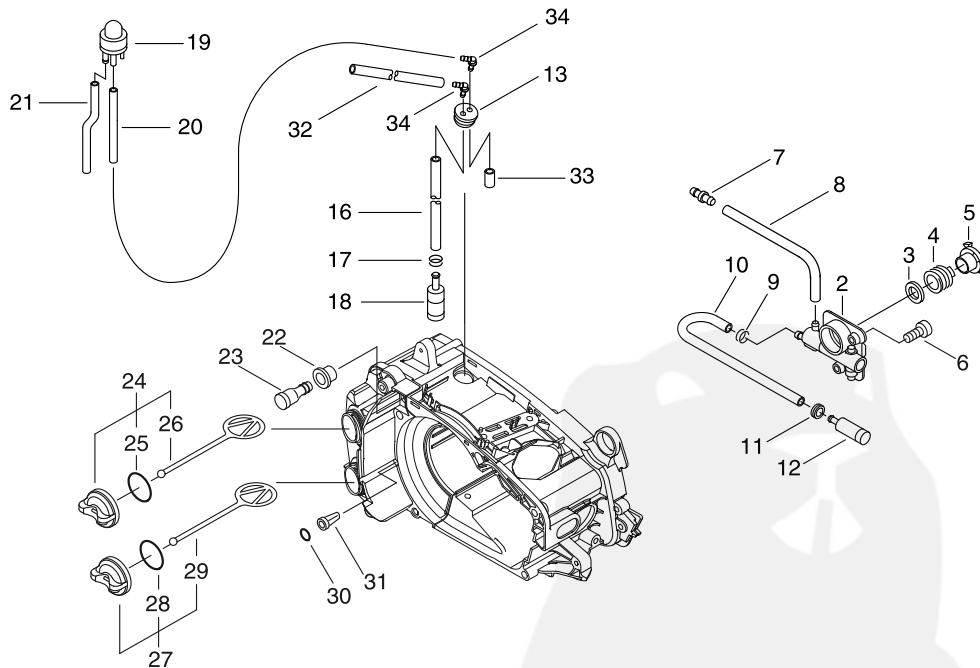
KEY	LV	PART NUMBER	Q'TY	DESCRIPTION	REMARKS	NOTE1	NOTE2
1		A409-001240	1	ROTOR, MAGNETO			
2		900515-00008	1	NUT, FLANGE 8	8		
3		177234-35430	2	SPRING, RETURN			
4		A514-000270	2	PAWL			
5		177247-04630	2	SPACER, RATCHET	5.2*8*2.1		
6		900603-00005	2	WASHER 5	5.5*12*0.8		
7		V203-000080	2	BOLT,5	5*14		
8		A411-001500	1	COIL, IGNITION	OPPAMA ID#		
9		V475-001900	1	TUBE	7*8.6*30		
10		156110-04920	1	BUSHING			
11		V475-002390	1	TUBE			
12		A427-000013	1	CAP, SPARK PLUG			
13		A426-000010	1	TERMINAL, SPARKPLUG			
15		A425-000000	1	SPARKPLUG	BPMR8Y		
16		V485-002430	1	LEAD			
18		V805-000210	2	BOLT, TORX 5	TB-5*20 12.9		
19		150117-16430	2	SPACER			
20		A051-002510	1	STARTER, RECOIL ASY			
32	+	P022-037160	1	CASE, STARTER			
21	+	177236-61830	1	SCREW			
22	+	P022-036680	1	PLATE, CAM			
23	+	P022-036670	1	SPRING, DAMPER			
24	+	P022-036660	1	DRUM, STARTER			
25	+	P022-008440	1	ROPE, STARTER	3.5*900		
26	+	P022-001330	1	SPRING KIT, REWIND			

3. RECOIL STARTER, MAGNETO



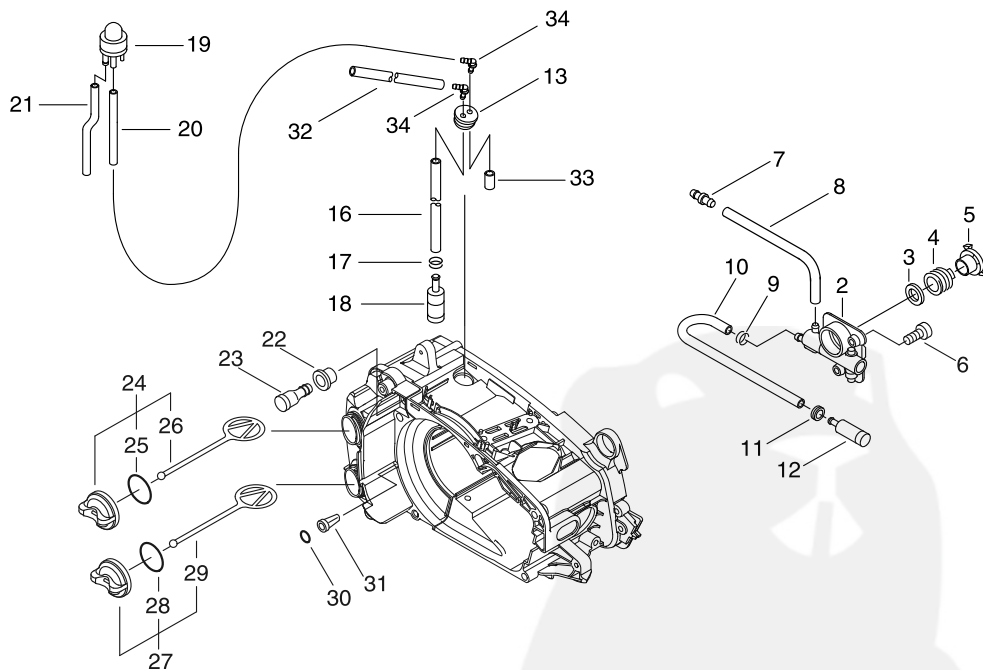
KEY	LV	PART NUMBER	Q'TY	DESCRIPTION	REMARKS	NOTE1	NOTE2
27	+	P022-005891	1	GRIP, STARTER			
28		V804-000060	4	BOLT, TORX 4	TB-4*16 10.9		
30		A172-002090	1	COVER,FAN			
31		X502-000410	1	LABEL,ECHO			

4. AUTO-OILER, FUEL PIPE



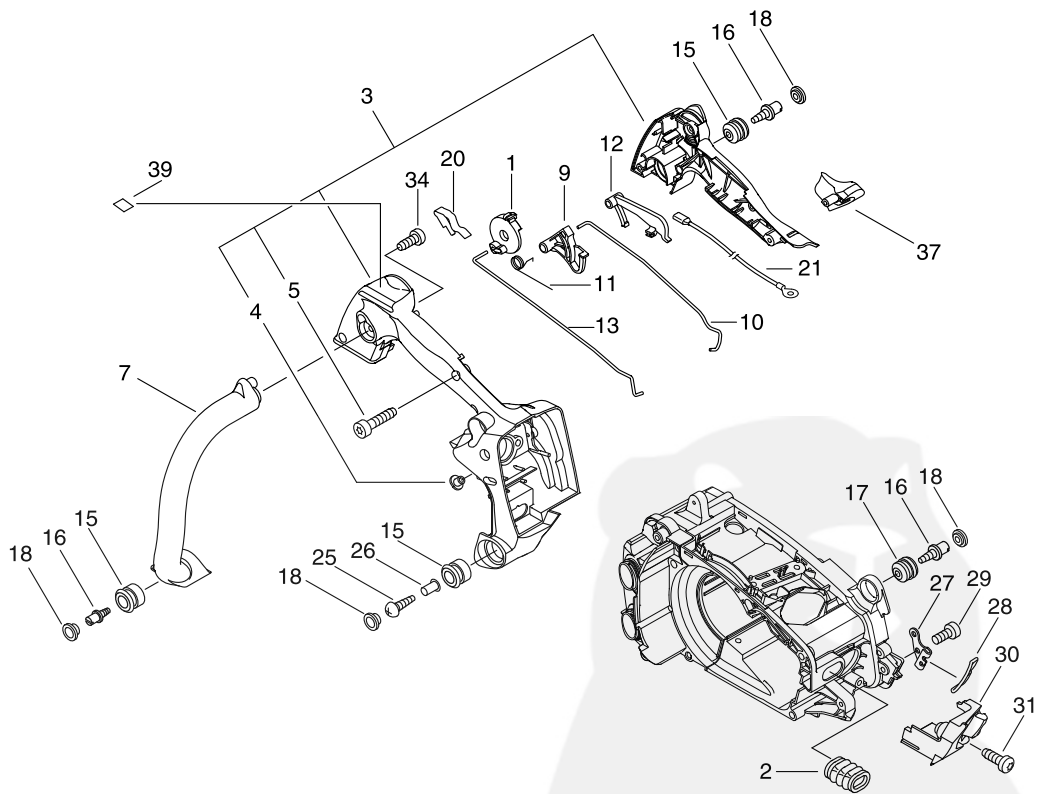
KEY	LV	PART NUMBER	Q'TY	DESCRIPTION	REMARKS	NOTE1	NOTE2
2		C022-000020	1	AUTO-OILER ASSEMBLY			
3		V308-000030	1	WASHER,CIRCULAR 11	10.5*17.4*1.8		
4		V652-000030	1	GEAR,WORM			
5		V356-000290	1	COLLAR,10			
6		V804-000050	2	BOLT, TORX 4	TB-4*12 10.9		
7		V187-000010	1	NIPPLE			
8		132012-11960	1	PIPE 3* 6* 45	3*6*45 NBR		
9		V490-001230	1	CLIP			
10		V471-000740	1	PIPE			
11		132115-01461	1	GROMMET			
12		436205-02832	1	STRAINER, OIL			
13		132115-44330	1	GROMMET			
16		V471-002290	1	PIPE	3*5*140		
17		V490-001240	1	CLIP			
18		131205-14931	1	STRAINER,FUEL			
19		123181-39130	1	PUMP, PRIMER			
20		V471-003380	1	PIPE	2.4*5*400		
21		V471-003400	1	PIPE	2.4*5*180		
22		V137-000000	1	GROMMET,FUEL			
23		131300-56431	1	VENT ASSEMBLY, FUEL			
24		P021-005591	1	CAP ASY			
25	+	900720-00018	1	O-RING 18	P-18		
26	+	A365-000050	1	CONNECTOR,CAP			
27		P021-005581	1	OIL CAP ASY			

4. AUTO-OILER, FUEL PIPE



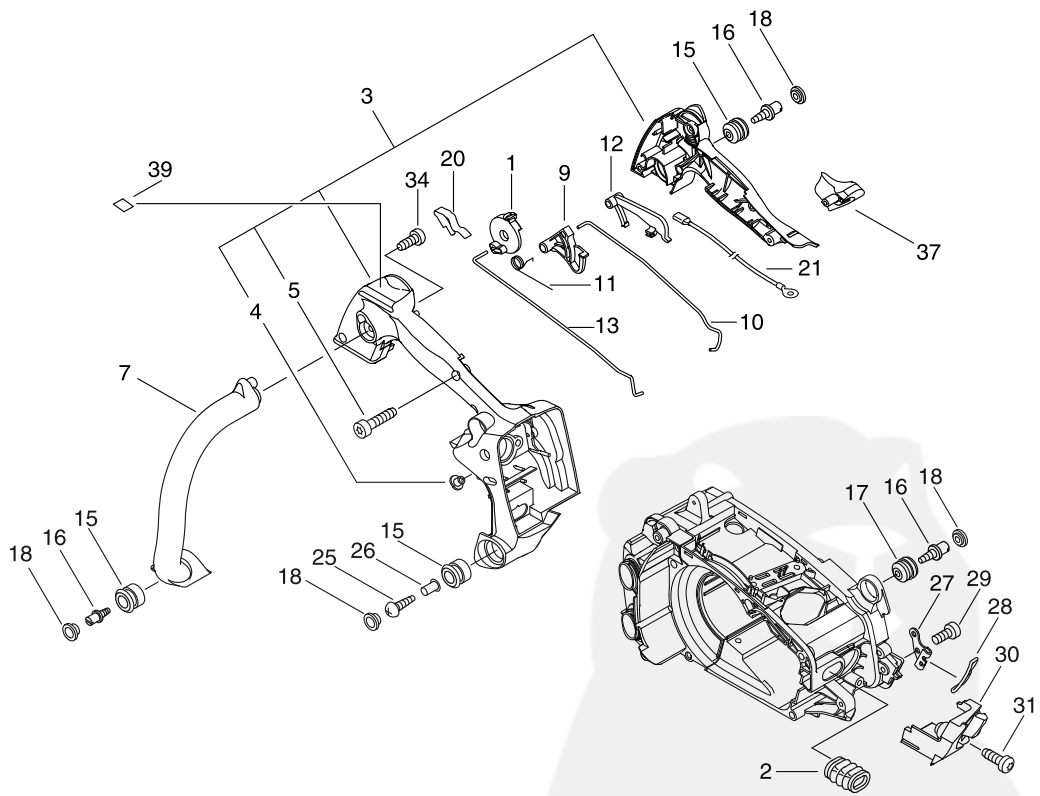
KEY	LV	PART NUMBER	Q'TY	DESCRIPTION	REMARKS	NOTE1	NOTE2
28	+	900720-00018	1	O-RING 18	P-18		
29	+	A365-000050	1	CONNECTOR,CAP			
30		900724-00004	1	O-RING (S-4)	S-4		
31		436114-13930	1	VALVE, CHECK			
32		V471-003410	1	PIPE	3*5*265		
33		V471-003390	1	PIPE	2.4*5*15		
34		V186-000530	2	JOINT,PIPE			

5. HANDLE



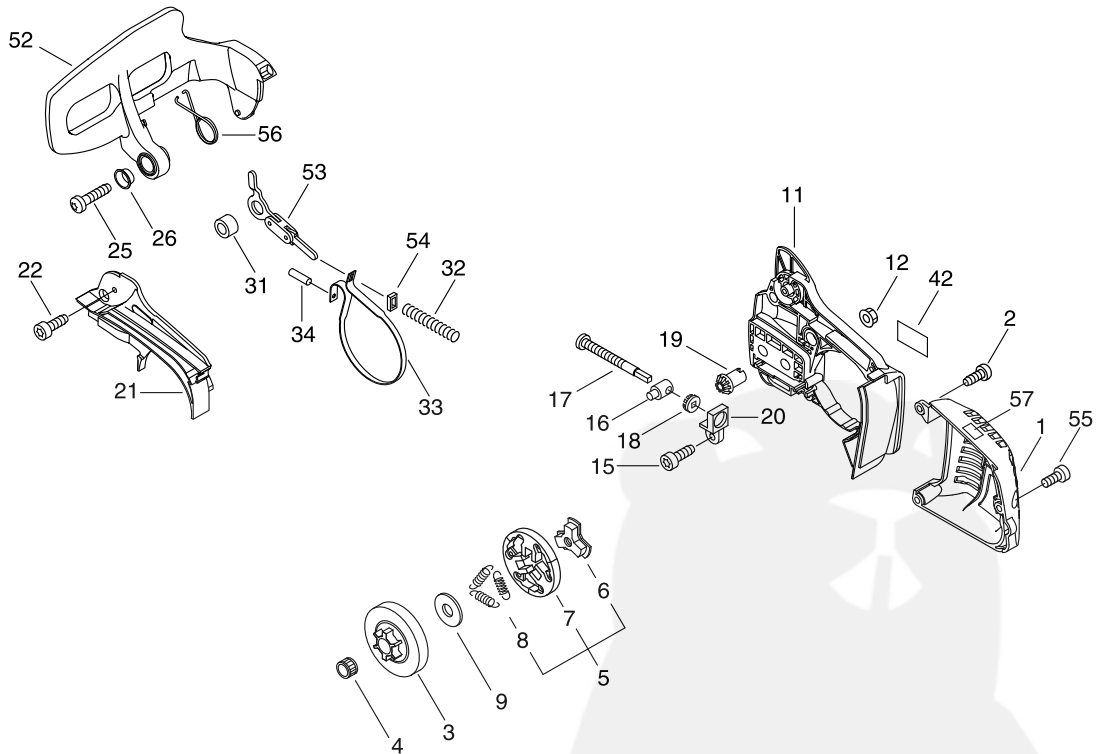
KEY	LV	PART NUMBER	Q'TY	DESCRIPTION	REMARKS	NOTE1	NOTE2
1		A253-000090	1	LEVER, CONTROL			
2		A239-000000	1	PIPE,INTAKE			
3		P021-041820	1	HANDLE SET, REAR			
4	+	130020-33330	2	NUT			
5	+	V804-000010	4	BOLT, TORX 4	TT-4*16 DG 10.9		
7		C400-001150	1	HANDLE, FRONT			
9		C450-000731	1	CONTROL, THROTTLE			
10		C454-000491	1	ROD, THROTTLE			
11		V452-000010	1	SPRING,TORSION			
12		C460-000002	1	LOCKOUT,THROTTLE			
13		A240-000200	1	ROD, CHOKE			
15		V400-000070	3	CUSHION,4			
16		V202-000000	3	BOLT,4			
17		100910-18830	1	CUSHION			
18		100918-15130	4	CAP			
20		V486-000371	1	TERMINAL,LEAD			
21		V485-002441	1	LEAD			
25		91481-04035	1	SCREW TAPPING			
26		V352-000020	1	COLLAR,4			
27		C626-000070	1	FIXTURE, HARNESS			
28		C646-000100	1	RING, HARNESS			
29		V805-000140	1	BOLT, TORX 5	TB-5*12 10.9		
30		A429-000160	1	COVER,CAP			

5. HANDLE



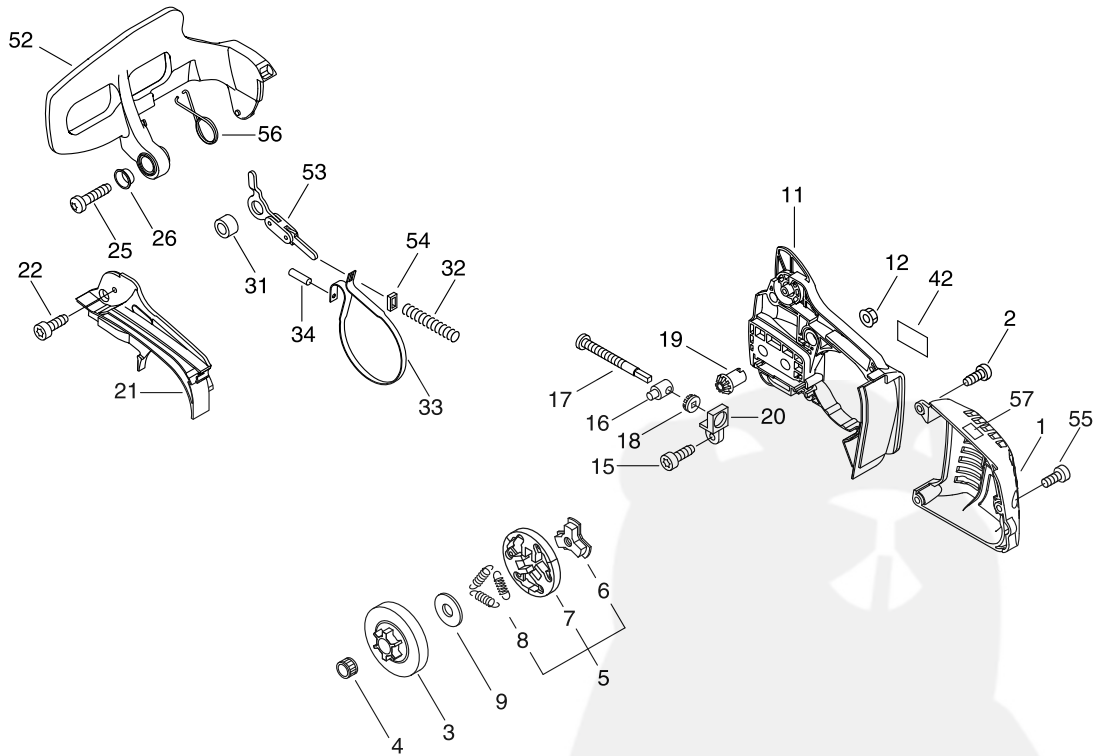
KEY	LV	PART NUMBER	Q'TY	DESCRIPTION	REMARKS	NOTE1	NOTE2
31		V805-000010	1	BOLT, TORX 5	TT-5*20 DG 10.9		
34		V805-000010	1	BOLT, TORX 5	TT-5*20 DG 10.9		
37		C401-000320	1	PIECE,HANDLE			
39		890157-39131	1	LABEL, SWITCH			

6. CLUTCH



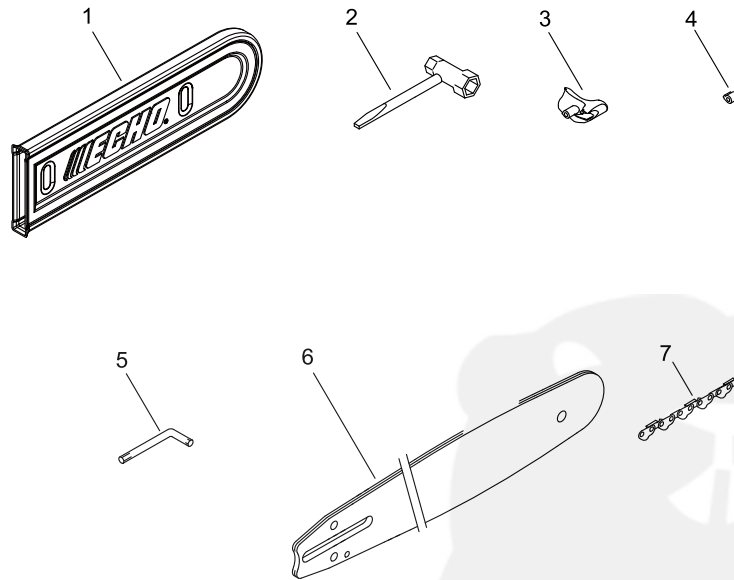
KEY	LV	PART NUMBER	Q'TY	DESCRIPTION	REMARKS	NOTE1	NOTE2
1		A320-001080	1	COVER,MUFFLER	FOR CAT MUFF		
2		V805-000010	2	BOLT, TORX 5	TT-5*20 DG 10.9		
3		175005-39133	1	DRUM, CLUTCH			
4		V555-000170	1	BEARING,NEEDLE 10	8E-KV10*13*12.8		
5		A056-000070	1	CLUTCH			
6	+	A552-000020	1	HUB,CLUTCH			
7	+	P021-005810	1	CLUTCH SHOE SET			
8	+	V451-000470	3	SPRING,TENSION			
9		A551-000010	1	PLATE,CLUTCH			
11		C300-000952	1	GUARD, SPROCKET			
12		V265-000200	2	NUT			
15		V804-000000	1	BOLT, TORX 4	TT-4*12 DG 10.9		
16		C309-000030	1	TENSIONER,CHAIN			
17		V203-000041	1	BOLT,5			
18		V651-000011	1	GEAR,BEVEL			
19		V651-000001	1	GEAR,BEVEL			
20		V355-000140	1	COLLAR,8			
21		C345-000520	1	COVER,BRAKE			
22		V804-000000	3	BOLT, TORX 4	TT-4*12 DG 10.9		
25		V805-000240	1	BOLT, TORX 5	TT-5*12 DG 10.9		

6. CLUTCH



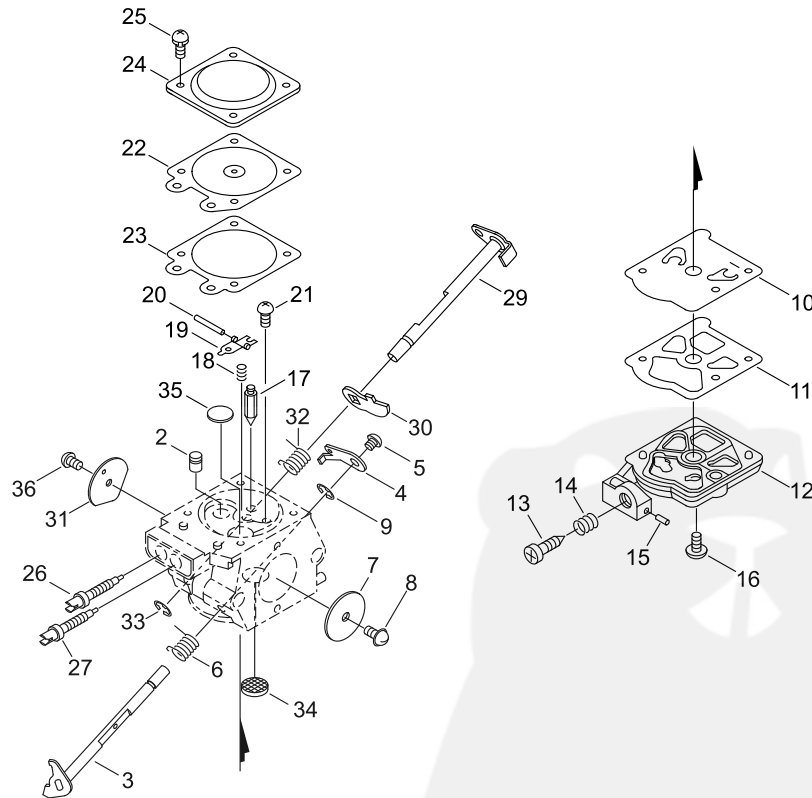
KEY	LV	PART NUMBER	Q'TY	DESCRIPTION	REMARKS	NOTE1	NOTE2
26		V356-000430	1	COLLAR,10			
31		433116-35430	1	SPACER 8	8*12*9		
32		V450-000070	1	SPRING, COMPRESSION			
33		C328-000310	1	BAND, BRAKE			
34		93050-30098	1	ROLLER	F3*9.8		
42		X502-000340	1	LABEL, ECHO	ECHO(WHITE)		
52		C320-000501	1	LEVER, BRAKE			
53		C334-000290	1	CONNECTOR, BRAKE			
54		V376-000450	1	SPACER			
55		V805-000150	1	BOLT, TORX 5	TB-5*16 10.9		
56		V452-001380	1	SPRING, TORSION			
57		X505-007710	1	LABEL, CAUTION			

7. ACCESSORIES



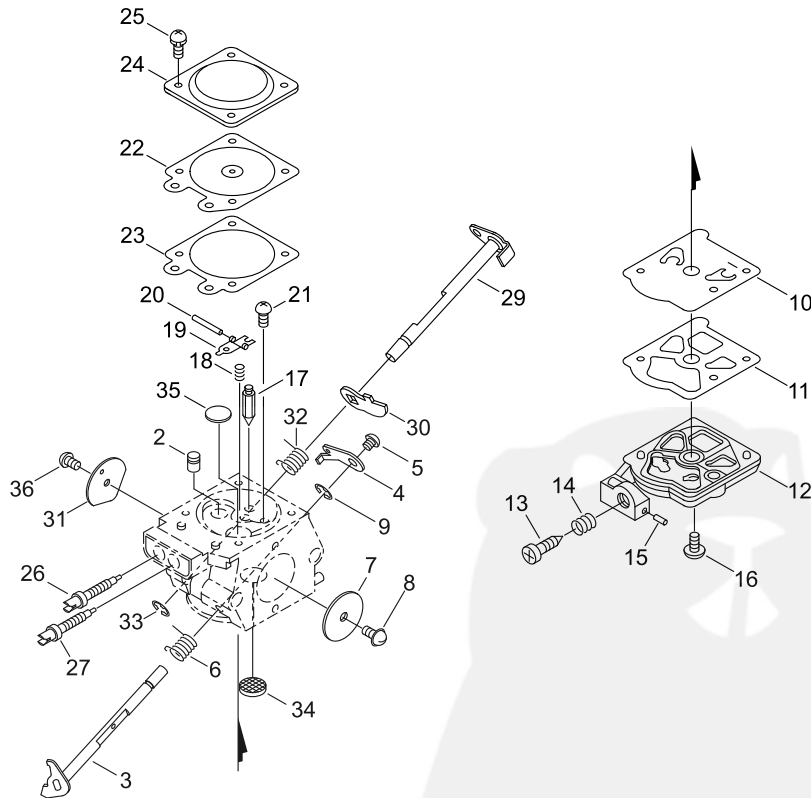
KEY	LV	PART NUMBER	Q'TY	DESCRIPTION	REMARKS	NOTE1	NOTE2
1		X490-000510	1	SCABBARD,CHAIN			
2		X602-000080	1	TOOL,WRENCH	13*19 L180		
3		C401-000300	1	PIECE,HANDLE			
4		C401-000310	1	PIECE,HANDLE			
5		X605-000170	1	TOOL,L WRENCH			
6		X123-000550	1	BAR,GUIDE 35	35RC50MDC-		
7		X223-000130	1	CHAIN,SAW	91PX-53E		

8. CARBURETOR





KEY	LV	PART NUMBER	Q'TY	DESCRIPTION	REMARKS	NOTE1	NOTE2
		A021-004210	1	CARBURETOR,DIAPHRAGM	ZAMA		
2	+	P005-003130	1	NOZZLE, CHECK VALVE			
3	+	P005-003140	1	SHAFT ASY.THROTTLE			
4	+	P005-003150	1	LEVER, THROTTLE			
5	+	125348-13930	1	SCREW			
6	+	P005-000790	1	SPRING, THRT.RETURN			
7	+	P005-003160	1	VALVE, THROTTLE			
8	+	P005-003170	1	SCREW			
9	+	125327-13930	1	CLIP			
10	+	P005-001110	1	DIAPHRAGM, PUMP			
11	+	125325-08360	1	GASKET, PUMP			
12	+	P005-003180	1	COVER, PUMP			
13	+	125344-08560	1	SCREW			
14	+	125333-33330	1	SPRING, IDLE ADJUST			
15	+	125378-13930	1	PIECE, FRICTION			
16	+	125310-13930	1	SCREW			
17	+	125337-08260	1	VALVE, INLET NEEDLE			
18	+	125322-13930	1	SPRING, COIL			
19	+	125323-08260	1	ARM, VALVE			
20	+	125338-13930	1	PIN, METERING ARM			
21	+	125339-13930	1	SCREW			
22	+	P005-003190	1	DIAPHRAGM ,METERING			
23	+	P005-003200	1	GASKET, METERING			
24	+	P005-003210	1	COVER, METERING			
25	+	P005-003220	4	SCREW			

8. CARBURETOR



KEY	LV	PART NUMBER	Q'TY	DESCRIPTION	REMARKS	NOTE1	NOTE2
26	+	P005-002370	1	NEEDLE, HIGH SPEED			
27	+	P005-002380	1	NEEDLE, IDLE			
29	+	P005-002390	1	SHAFT, CHOKE			
30	+	P005-003230	1	LEVER, CHOKE			
31	+	P005-003240	1	VALVE, CHOKE			
32	+	P005-000880	1	SPRING, CHOKE RETURN			
33	+	125327-15130	1	CLIP			
34	+	P005-000860	1	SCREEN, FUEL INLET			
35	+	P005-002400	1	PLUG, WELCH			
36	+	125314-51230	1	SCREW	3*4.5		

9. GUIDE BAR, CHAIN

Pitch ピッチ (inch) (mm)	Gauge ゲージ (inch) (mm)	Length 長さ (cm)	Guide Bar ガイドバー		Saw Chain ソーチェーン		Hard Nose ハード ノーズ 	Sprocket Nose スプロケット ノーズ 
			Key №	Type 形式	Key №	Type 形式		
3/8 9.53	0,050 1,27	30	A1	30RC50MDC-3/8EC	A2	91PX-47E		●
3/8 9.53	0,050 1,27	35	B1	35RC50MDC-3/8EC	B2	91PX-53E		●
1/4 6.35	0,050 1,27	30	C1	30C50SL	C2	25A-68E	●	
					C3	25AP-68E		
1/4 6.35	0,050 1,27	35	D1	35C50SL	D2	25A-76E	●	
					D3	25AP-76E		

KEY	LV	PART NUMBER	Q'TY	DESCRIPTION	REMARKS	NOTE1	NOTE2
A1		X122-000340	1	BAR,GUIDE 30	3/8EC		
A2		X222-000140	1	CHAIN,SAW	91PX-47E		
B1		X123-000550	1	BAR,GUIDE 35	35RC50MDC-		
B2		X223-000130	1	CHAIN,SAW	91PX-53E		
C1		X102-000070	1	BAR,GUIDE 30	30C50SL ECHO		
C2		X202-000010	1	CHAIN,SAW	25A-68E		
C3		431611-10030	1	CHAIN, SAW 25AP-68E	25AP-68E		
D1		X103-000110	1	BAR,GUIDE 35	35C50SL ECHO		
D2		X203-000000	1	CHAIN,SAW	25A-76E		
D3		431612-10030	1	CHAIN, SAW 25AP-76E	25AP-76E		

Index

Patrs Number	Key No.	Patrs Number	Key No.	Patrs Number	Key No.
100013-15330	1 - 5	A021-004210	2 - 9	C460-000002	5 - 12
100014-60930	1 - 7	A021-004210	8 -	C626-000070	5 - 27
100015-04630	1 - 6	A051-002510	3 - 20	C646-000100	5 - 28
100142-12330	1 - 30	A056-000070	6 - 5	P005-000790	8 - 6
100910-18830	5 - 17	A101-000670	1 - 4	P005-000860	8 - 34
100918-15130	5 - 18	A127-000370	1 - 20	P005-000880	8 - 32
123181-39130	4 - 19	A172-002090	3 - 30	P005-001110	8 - 10
125310-13930	8 - 16	A190-001151	1 - 23	P005-002370	8 - 26
125314-51230	8 - 36	A202-000231	1 - 31	P005-002380	8 - 27
125322-13930	8 - 18	A225-000611	2 - 11	P005-002390	8 - 29
125323-08260	8 - 19	A226-001820	2 - 15	P005-002400	8 - 35
125325-08360	8 - 11	A228-000030	2 - 16	P005-003130	8 - 2
125327-13930	8 - 9	A232-001652	2 - 13	P005-003140	8 - 3
125327-15130	8 - 33	A235-000361	2 - 14	P005-003150	8 - 4
125333-33330	8 - 14	A239-000000	5 - 2	P005-003160	8 - 7
125337-08260	8 - 17	A240-000200	5 - 13	P005-003170	8 - 8
125338-13930	8 - 20	A244-000280	2 - 12	P005-003180	8 - 12
125339-13930	8 - 21	A253-000090	5 - 1	P005-003190	8 - 22
125344-08560	8 - 13	A300-001840	2 - 2	P005-003200	8 - 23
125348-13930	8 - 5	A310-000431	2 - 4	P005-003210	8 - 24
125378-13930	8 - 15	A312-000070	2 - 8	P005-003220	8 - 25
130020-33330	5 - 4	A313-001980	2 - 3	P005-003230	8 - 30
131205-14931	4 - 18	A320-001080	6 - 1	P005-003240	8 - 31
131300-56431	4 - 23	A365-000050	4 - 26	P021-005581	4 - 27
132012-11960	4 - 8	A365-000050	4 - 29	P021-005591	4 - 24
132115-01461	4 - 11	A409-001240	3 - 1	P021-005810	6 - 7
132115-44330	4 - 13	A411-001500	3 - 8	P021-039160	1 - 9
150117-16430	3 - 19	A425-000000	3 - 15	P021-041820	5 - 3
156110-04920	3 - 10	A426-000010	3 - 13	P021-045430	1 - 1
175005-39133	6 - 3	A427-000013	3 - 12	P021-045440	1 - 3
177234-35430	3 - 3	A429-000160	5 - 30	P021-045450	2 - 1
177236-61830	3 - 21	A514-000270	3 - 4	P022-001330	3 - 26
177247-04630	3 - 5	A551-000010	6 - 9	P022-005891	3 - 27
431611-10030	9 - C3	A552-000020	6 - 6	P022-008440	3 - 25
431612-10030	9 - D3	C022-000020	4 - 2	P022-036660	3 - 24
433026-35430	1 - 25	C300-000952	6 - 11	P022-036670	3 - 23
433116-35430	6 - 31	C304-000000	1 - 27	P022-036680	3 - 22
436114-13930	4 - 31	C305-000430	1 - 15	P022-037160	3 - 32
436205-02832	4 - 12	C309-000030	6 - 16	V104-001960	2 - 18
890157-39131	5 - 39	C320-000501	6 - 52	V104-001980	2 - 6
900242-04010	2 - 5	C328-000310	6 - 33	V137-000000	4 - 22
900515-00008	3 - 2	C334-000290	6 - 53	V186-000530	4 - 34
900603-00005	3 - 6	C345-000520	6 - 21	V187-000010	4 - 7
900720-00018	4 - 25	C400-001150	5 - 7	V202-000000	5 - 16
900720-00018	4 - 28	C401-000300	7 - 3	V203-000041	6 - 17
900724-00004	4 - 30	C401-000310	7 - 4	V203-000080	3 - 7
91481-04035	5 - 25	C401-000320	5 - 37	V225-000262	1 - 17
93050-30098	6 - 34	C450-000731	5 - 9	V265-000200	6 - 12
94035-36201	1 - 10	C454-000491	5 - 10	V308-000030	4 - 3

Index

Patrs Number	Key No.	Patrs Number	Key No.	Patrs Number	Key No.
V311-000170	1 - 33	V805-000210	1 - 2		
V351-000000	1 - 36	V805-000210	1 - 19		
V352-000020	5 - 26	V805-000210	3 - 18		
V355-000140	6 - 20	V805-000240	6 - 25		
V356-000290	4 - 5	V805-000250	2 - 7		
V356-000430	6 - 26	X102-000070	9 - C1		
V376-000450	6 - 54	X103-000110	9 - D1		
V400-000070	5 - 15	X122-000340	9 - A1		
V450-000070	6 - 32	X123-000550	7 - 6		
V451-000470	6 - 8	X123-000550	9 - B1		
V451-001411	1 - 34	X202-000010	9 - C2		
V452-000010	5 - 11	X203-000000	9 - D2		
V452-001380	6 - 56	X222-000140	9 - A2		
V470-001910	1 - 35	X223-000130	7 - 7		
V471-000740	4 - 10	X223-000130	9 - B2		
V471-002290	4 - 16	X490-000510	7 - 1		
V471-003380	4 - 20	X502-000340	6 - 42		
V471-003390	4 - 33	X502-000410	3 - 31		
V471-003400	4 - 21	X503-012640	2 - 17		
V471-003410	4 - 32	X505-002441	1 - 37		
V475-001900	3 - 9	X505-007710	6 - 57		
V475-002390	3 - 11	X505-007760	1 - 38		
V485-002430	3 - 16	X602-000080	7 - 2		
V485-002441	5 - 21	X605-000170	7 - 5		
V486-000371	5 - 20				
V490-001230	4 - 9				
V490-001240	4 - 17				
V505-000011	1 - 11				
V553-000130	1 - 8				
V555-000170	6 - 4				
V651-000001	6 - 19				
V651-000011	6 - 18				
V652-000030	4 - 4				
V804-000000	1 - 18				
V804-000000	6 - 15				
V804-000000	6 - 22				
V804-000010	5 - 5				
V804-000050	4 - 6				
V804-000060	3 - 28				
V805-000000	1 - 28				
V805-000010	1 - 26				
V805-000010	5 - 31				
V805-000010	5 - 34				
V805-000010	6 - 2				
V805-000080	2 - 10				
V805-000140	1 - 32				
V805-000140	5 - 29				
V805-000150	6 - 55				
V805-000180	1 - 24				

YAMABIKO CORPORATION

7-2 SUEHIROCHO 1-CHOME, OHME, TOKYO 198-8760, JAPAN
PHONE: 81-428-32-6118. FAX: 81-428-32-6145.



ECHO[®]

14Cb
No. 06-095