



# **PARTS CATALOG**

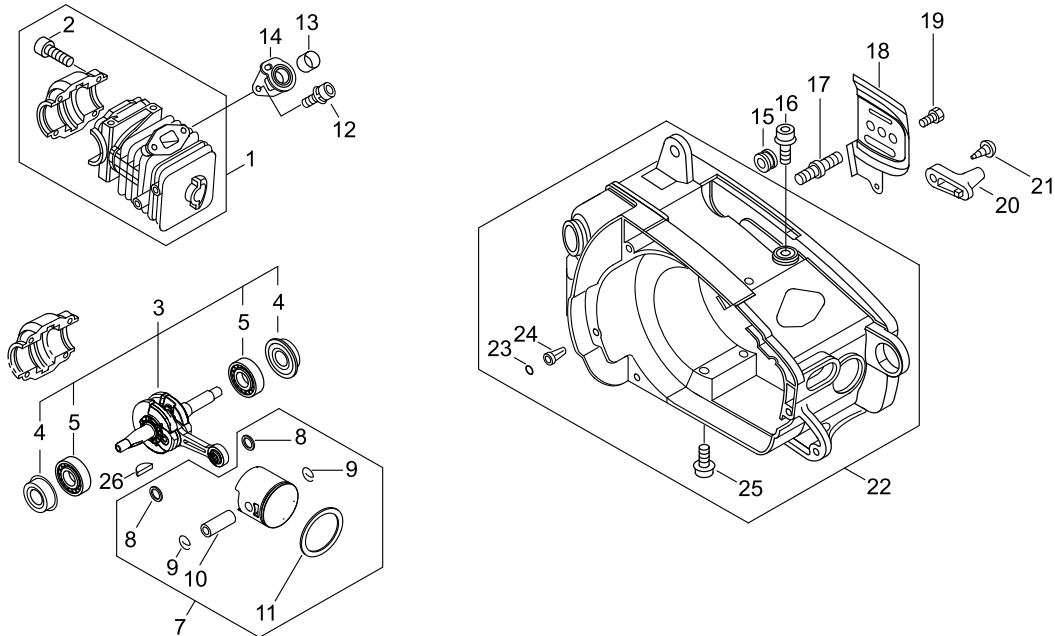
## **CHAIN SAW CS-280WES(37)**

**37006106 -**



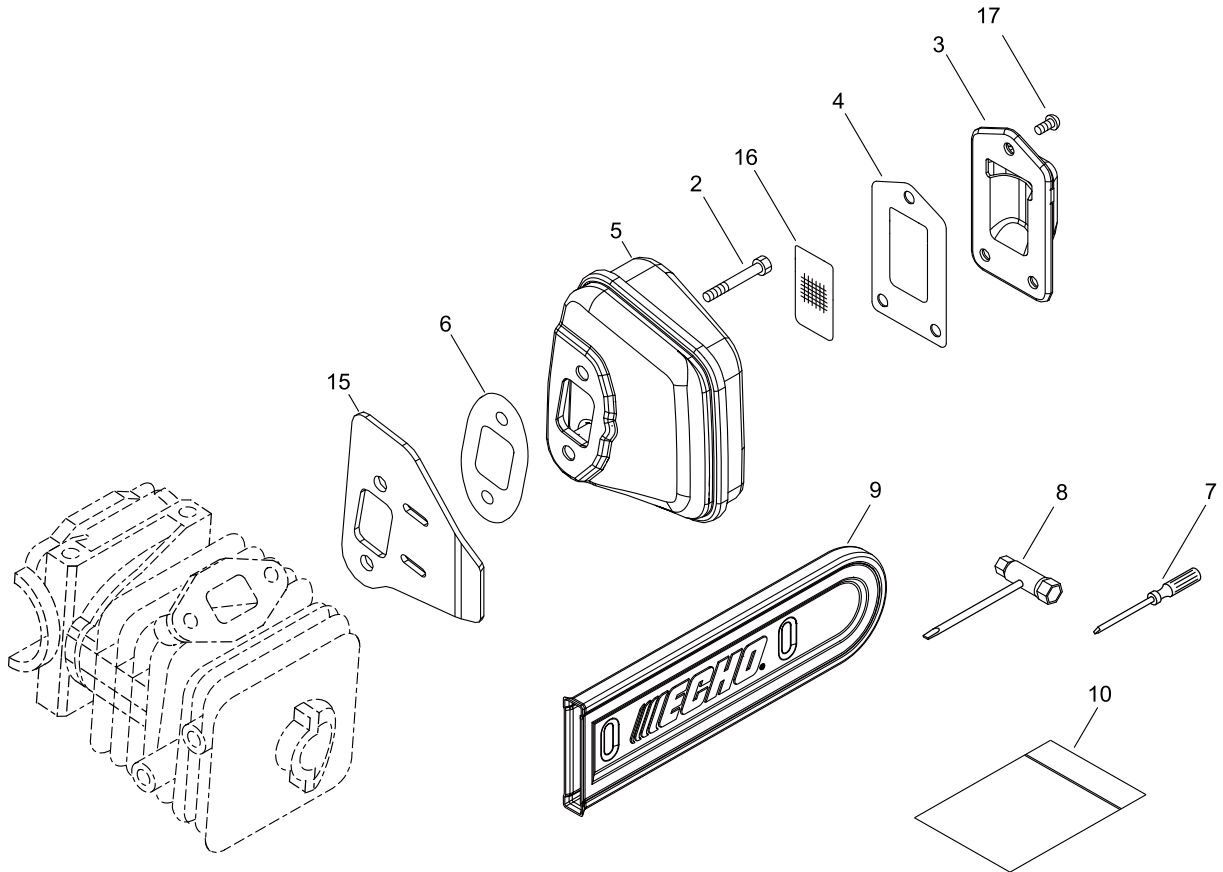
P014-001691-14Db

# 1. CYLINDER, CRANKCASE, PISTON



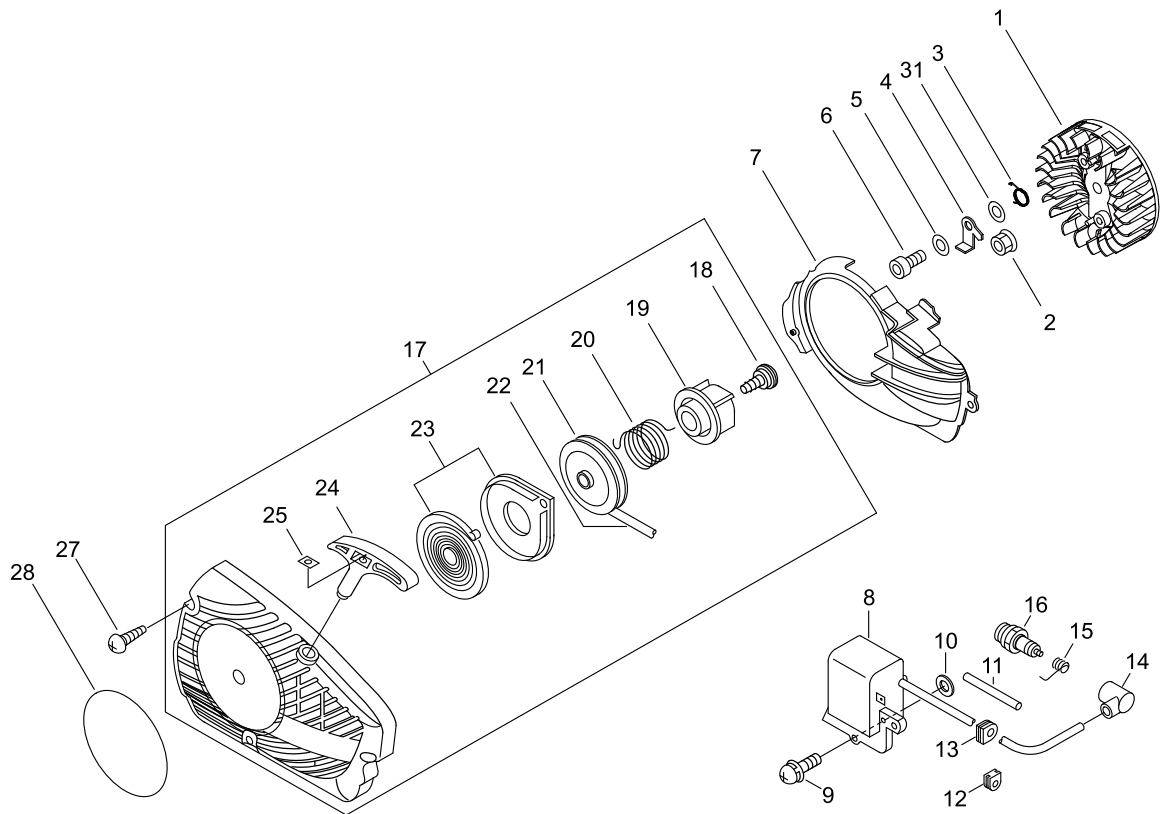
KEY	LV	PART NUMBER	Q'TY	DESCRIPTION	REMARKS	NOTE1	NOTE2
1		P021-038050	1	CYLINDER KIT			
2	+	900162-05022	4	BOLT, H.S. 5*22	5*22 W,SW		
3		P021-038072	1	CRANKSHAFT ASY			
4	+	V505-000001	2	SEAL,OIL	12*28*5.5		
5	+	900800-36001	2	BEARING, BALL 6001	6001/C3		
7		P021-039390	1	PISTON KIT			
8	+	100014-11520	2	SPACER, PISTON PIN			
9	+	100015-04630	2	CIRCLIP, PISTON PIN			
10	+	100013-22330	1	PIN, PISTON			
11	+	A101-000630	1	RING, PISTON			
12		900162-04012	2	BOLT, H.S. 4*12	4*12 W,SW		
13		V358-000021	1	COLLAR,14			
14		A202-000001	1	BELLOWS,INTAKE			
15		163911-30130	1	PLUG			
16		900106-05016	2	BOLT, H.S. 5*16	5*16		
17		V225-000031	1	BOLT,STUD 8	M8		
18		C305-000023	1	PLATE,SPROCKET GUARD			
19		V202-000011	2	BOLT,4	4*12		
20		433026-35430	1	CATCHER, CHAIN			
21		900253-05020	1	SCREW 5*20	5*20		
22		P021-003438	1	COVER ENGINE			
23	+	900724-00004	1	O-RING (S-4)	S-4		
24	+	436114-13930	1	VALVE, CHECK			
25	+	900106-05025	2	BOLT, H.S. 5*25	5*25		
26		100142-12330	1	KEY, WOODRUFF			

2. MUFFLER



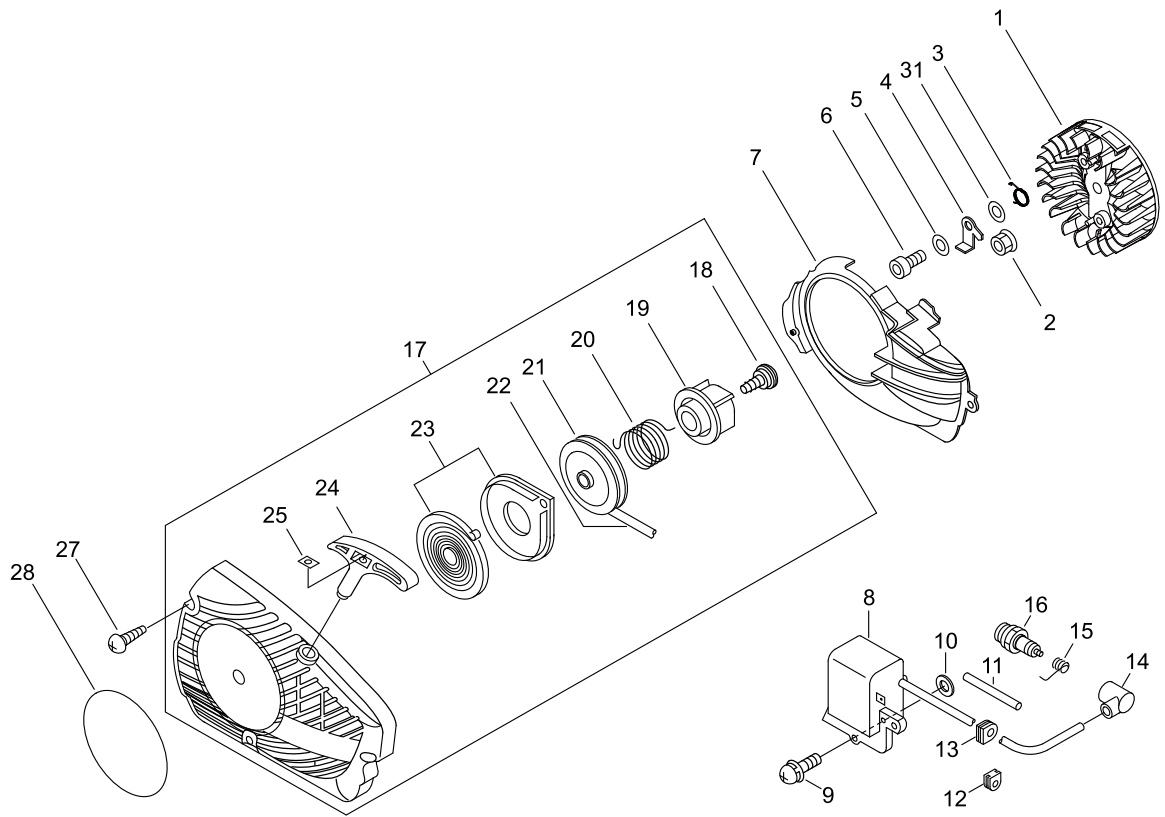
KEY	LV	PART NUMBER	Q'TY	DESCRIPTION	REMARKS	NOTE1	NOTE2
2		91107-05045	2	BOLT HSH FLANGE	M5*45		
3		A313-001840	1	GUIDE, EXHAUST			
4		V104-001850	1	GASKET, EXHAUST			
5		A300-001641	1	MUFFLER, EXHAUST			
6		V104-001860	1	GASKET, EXHAUST			
7		895812-03930	1	DRIVER, SCREW 50			
8		X602-000150	1	PLUG WRENCH			
9		X490-000510	1	SCABBARD, CHAIN			
10		X698-000050	1	TOOL, CASE	140*260*0.06		
15		A312-000060	1	PLATE, EXHUST			
16		A310-000420	1	SCREEN, ARRESTOR			
17		900242-04010	3	SCREW 4*10	4*10		

### 3. STARTER, MAGNETO



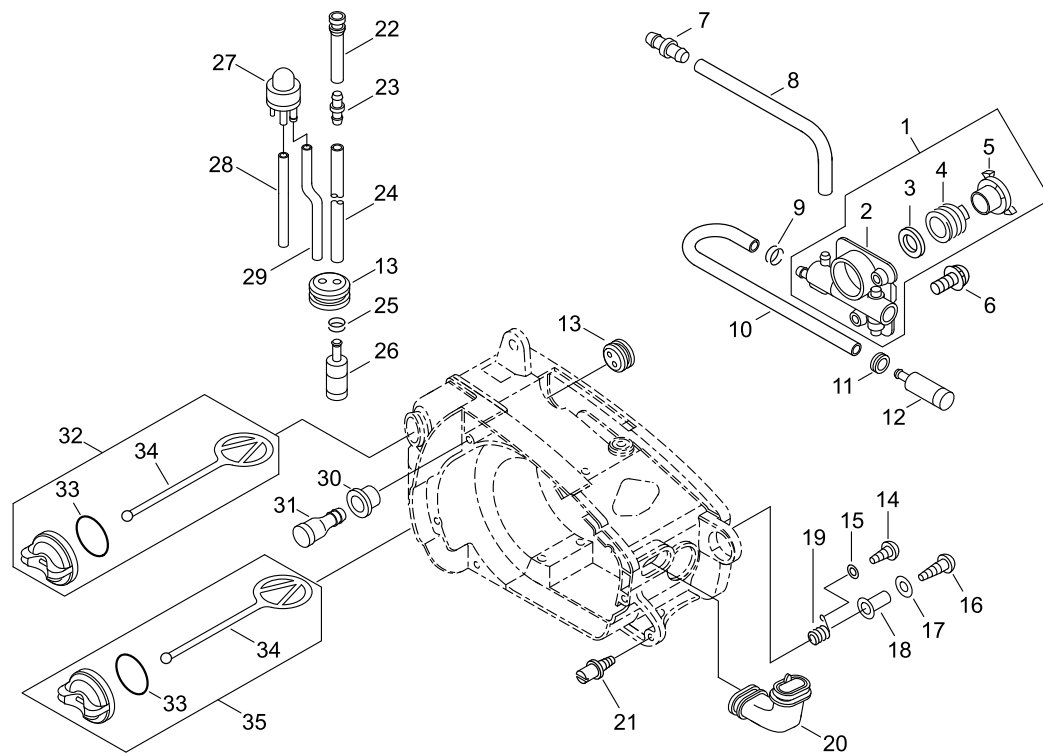
KEY	LV	PART NUMBER	Q'TY	DESCRIPTION	REMARKS	NOTE1	NOTE2
1		A409-001130	1	ROTOR, MAGNETO			
2		900515-00008	1	NUT, FLANGE 8	8		
3		V452-000030	2	SPRING, TORSION			
4		A514-000020	2	PAWL			
5		900603-00005	2	WASHER 5	5.5*12*0.8		
6		V203-000080	2	BOLT, 5	5*14		
7		A172-002040	1	COVER, FAN			
8		A411-001510	1	COIL, IGNITION			
9		900238-05018	2	SCREW 5*18	5*18		
10		150117-16430	2	SPACER			
11		V475-001900	1	TUBE	7*8.6*30		
12		156114-07320	1	GROMMET			
13		156110-04920	1	BUSHING			
14		A427-000000	1	CAP, SPARK PLUG			
15		A426-000000	1	TERMINAL, SPARK PLUG			
16		A425-000000	1	SPARK PLUG	BPMR8Y		
17		A051-002421	1	STARTER, RECOIL ASY			
18	+	177236-61830	1	SCREW			
19	+	A507-000110	1	CATCHER, PAWL			
20	+	V452-001320	1	SPRING, TORSION			
21	+	A506-000460	1	REEL, ROPE			
22	+	P022-006220	1	ROPE			
23	+	P022-001330	1	SPRING KIT, REWIND			
24	+	P022-001320	1	GRIP, STARTER			
25	+	P022-037670	1	STOPPER, ROPE			

3. STARTER, MAGNETO



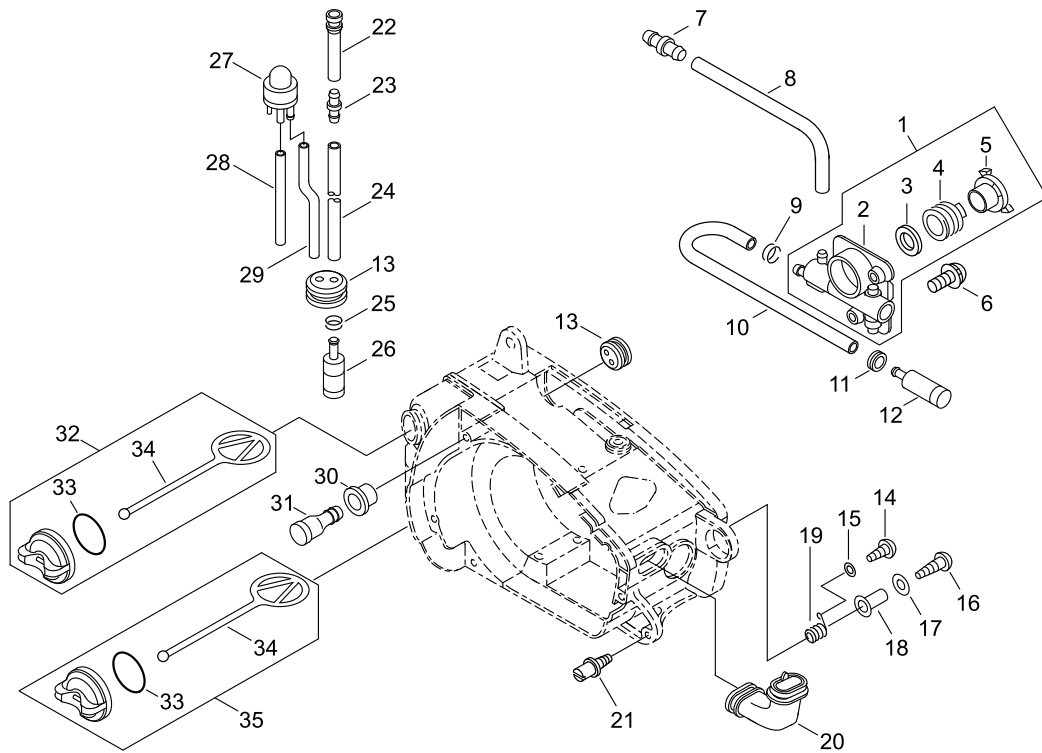
KEY	LV	PART NUMBER	Q'TY	DESCRIPTION	REMARKS	NOTE1	NOTE2
27		900256-04016	3	SCREW 4*16			
28		X502-000780	1	LABEL,ECHO			
31		177247-04630	2	SPACER, RATCHET	5.2*8*2.1		

## 4. AUTO-OILER



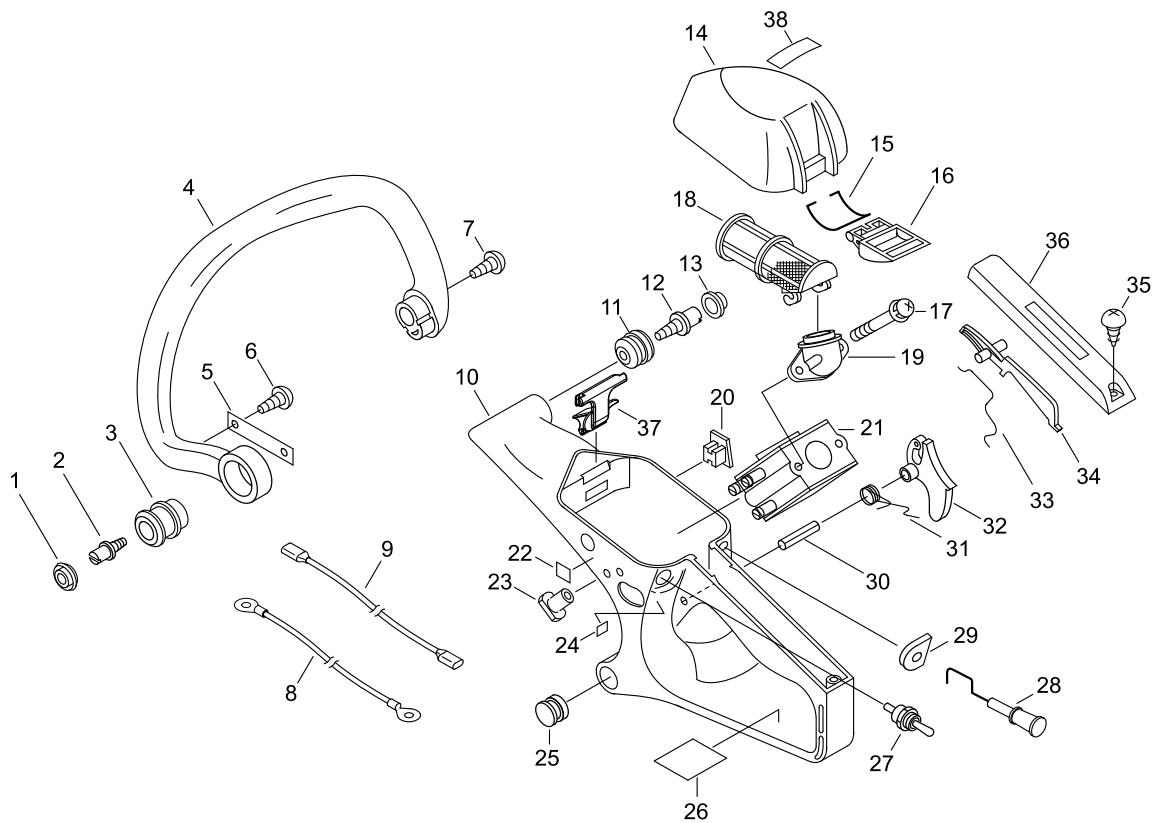
KEY	LV	PART NUMBER	Q'TY	DESCRIPTION	REMARKS	NOTE1	NOTE2
1		P021-010890	1	AUTO-OILER ASY			
2	+	C022-000020	1	AUTO-OILER ASSEMBLY			
3	+	V308-000030	1	WASHER,CIRCULAR 11	10.5*17.4*1.8		
4	+	V652-000030	1	GEAR,WORM			
5	+	V356-000290	1	COLLAR,10			
6		900238-04012	2	SCREW 4*12	4*12		
7		V187-000010	1	NIPPLE			
8		132012-11960	1	PIPE 3* 6* 45	3*6*45 NBR		
9		V490-001230	1	CLIP			
10		132010-22130	1	PIPE, FUEL	3*6*150L NBR		
11		132115-01461	1	GROMMET			
12		436205-02832	1	STRAINER, OIL			
13		132115-44330	2	GROMMET			
14		900253-04012	1	SCREW	4*12		
15		900602-00004	1	WASHER 4	4.3*9*0.8		
16		91481-04035	1	SCREW TAPPING			
17		177214-04630	1	WASHER	4.1*15.5*1T		
18		V352-000020	1	COLLAR,4			
19		V450-000080	1	SPRING,COMPRESSION			
20		A239-000030	1	PIPE,INTAKE	L TYPE		
21		V202-000020	1	BOLT,4			
22		V470-000321	1	PIPE	10*6*L32		
23		V186-000510	1	JOINT,PIPE			
24		V471-001230	1	PIPE	3*5*210 NBR		

4. AUTO-OILER



KEY	LV	PART NUMBER	Q'TY	DESCRIPTION	REMARKS	NOTE1	NOTE2
25		V490-001240	1	CLIP			
26		A369-000381	1	STRAINER, FUEL	125-932		
27		123181-39130	1	PUMP, PRIMER			
28		V471-001280	1	PIPE	2.4*5*105		
29		V471-001270	1	PIPE	2.4*5*285		
30		V137-000000	1	GROMMET, FUEL			
31		131300-56431	1	VENT ASSEMBLY, FUEL			
32		P021-005591	1	CAP ASY			
33	+	900720-00018	1	O-RING 18	P-18		
34	+	A365-000050	1	CONNECTOR, CAP			
35		P021-005581	1	OIL CAP ASY			
33	+	900720-00018	1	O-RING 18	P-18		
34	+	A365-000050	1	CONNECTOR, CAP			

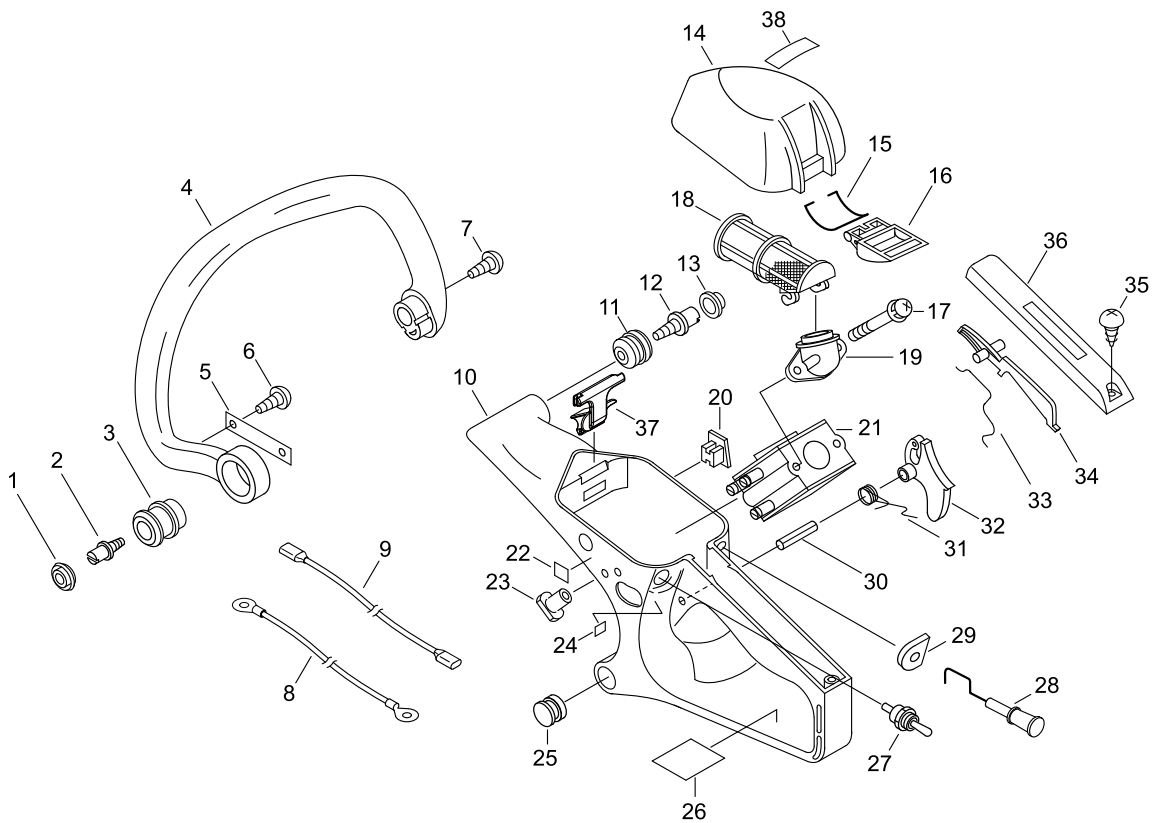
## 5. HANDLE



KEY	LV	PART NUMBER	Q'TY	DESCRIPTION	REMARKS	NOTE1	NOTE2
1		100918-19830	1	CAP, CUSHION			
2		100915-33930	1	SCREW			
3		100910-60030	1	CUSHION			
4		C400-000200	1	HANDLE,FRONT			
5		C617-000200	1	STOPPER			
6		900253-04008	1	SCREW 4*8	4*8		
7		900253-05020	2	SCREW 5*20	5*20		
8		V485-000380	1	LEAD			
9		V485-000390	1	LEAD	JIS LA105,10.2		
10		C410-000157	1	HANDLE,REAR			
11		V401-000560	1	CUSHION,5			
12		V202-000670	1	BOLT,4			
13		100918-15130	1	CAP			
14		A232-000191	1	LID,CLEANER			
15		V582-000020	1	RING,SNAP	CSE2700		
16		A235-000140	1	KNOB,CLEANER LID			
17		900238-05050	2	SCREW 5*50	5*50		
18		A226-000260	1	ELEMENT,AIR FILTER			
19		A204-000060	1	ELBOW,CARBURETOR			
20		V141-000050	1	GROMMET,PLUG			
21		A021-003742	1	CARBURETOR,DIAPHRAGM			
22		890631-38131	1	LABEL, CAUTION			
23		130020-33330	2	NUT			
24		890157-39131	1	LABEL, SWITCH			

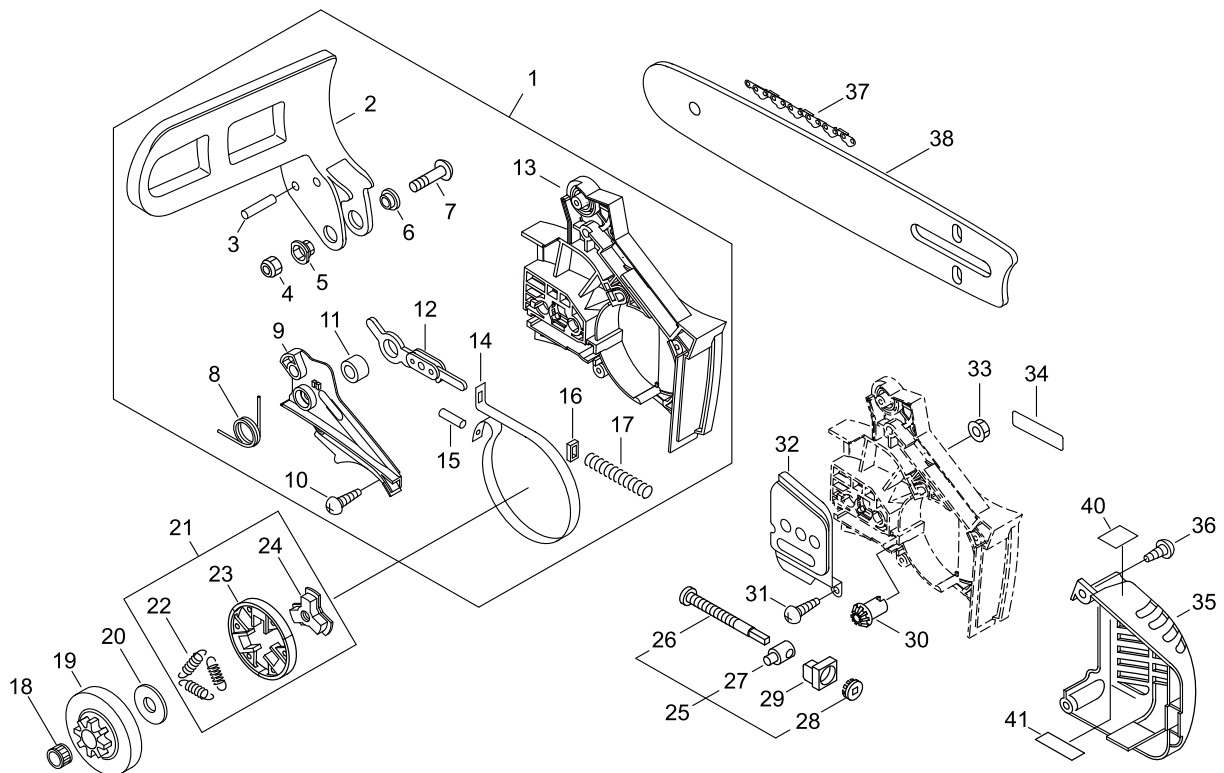


5. HANDLE



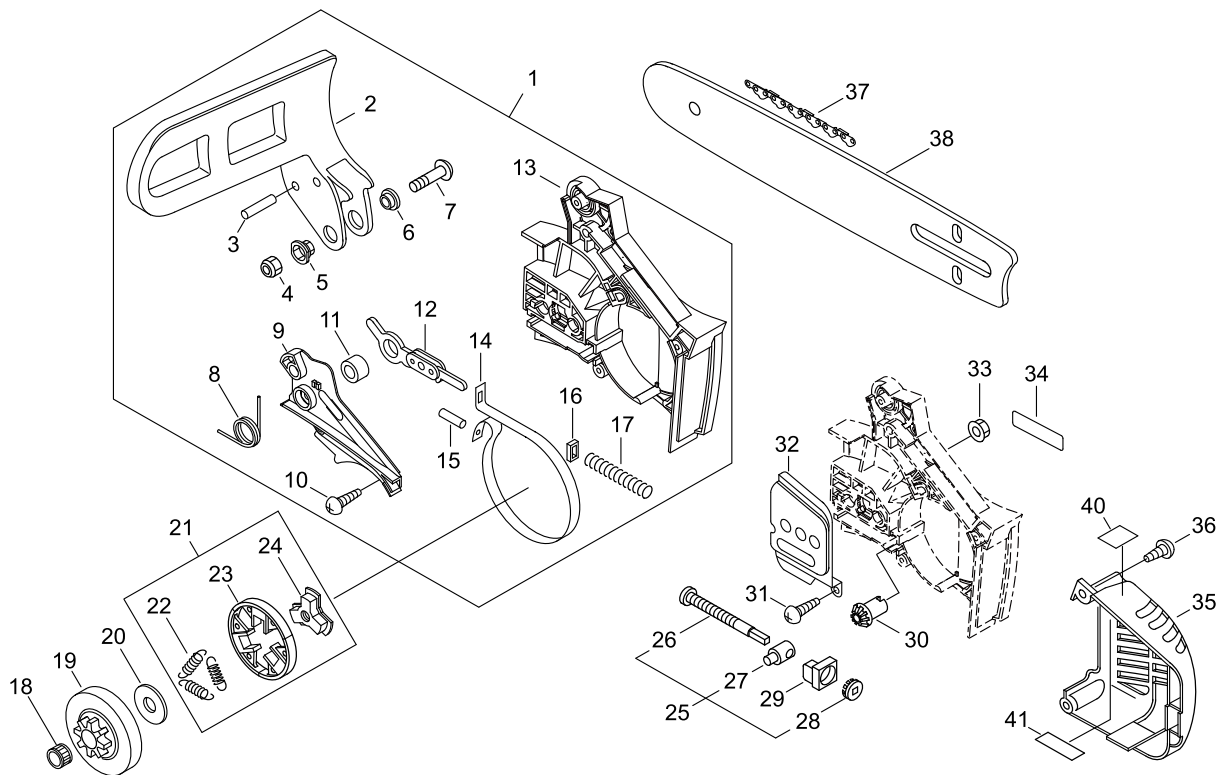
KEY	LV	PART NUMBER	Q'TY	DESCRIPTION	REMARKS	NOTE1	NOTE2
25		V420-000930	1	CUSHION			
26		890345-39231	1	LABEL,CAUTION			
27		A440-000430	1	SWITCH,ON OFF			
28		A241-000060	1	KNOB,CHOKE			
29		V130-000000	1	GROMMET,CHOKE			
30		900345-40025	1	PIN, SPRING 4*25SUS	4*25SUS		
31		V452-000260	1	SPRING,TORSION			
32		C450-000141	1	TRIGGER,THROTTLE			
33		C454-000080	1	ROD,THROTTLE			
34		178090-37930	1	LOCKOUT, T. CONTROL			
35		900253-04012	1	SCREW	4*12		
36		C411-000001	1	LID,HANDLE			
37		V142-000030	1	GROMMET,DUST			
38		X503-011230	1	LABEL,MODEL	CS-280WES		

## 6. CLUTCH, SPROCKET



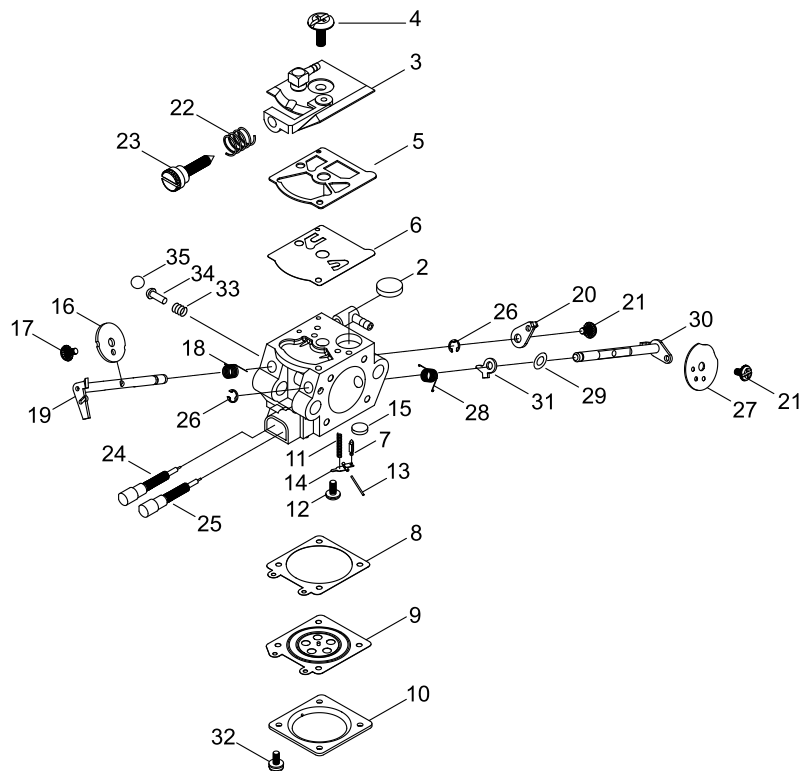
KEY	LV	PART NUMBER	Q'TY	DESCRIPTION	REMARKS	NOTE1	NOTE2
1		C032-000137	1	BRAKE,ASM CHAIN			
2	+	C320-000047	1	LEVER,BRAKE			
3	+	900330-30260	2	ROLLER 3*26	3*26		
4	+	900562-50005	1	LOCKNUT 5	5		
5	+	V353-000060	1	COLLAR,5			
6	+	433167-39130	1	SPACER			
7	+	91318-05032	1	SCREW	5*32		
8	+	V452-000110	1	SPRING,TORSION			
9	+	C345-000114	1	COVER,BRAKE			
10	+	900253-04012	2	SCREW	4*12		
11	+	433116-35430	1	SPACER 8	8*12*9		
12	+	C334-000070	1	CONNECTOR,BRAKE			
13	+	C300-000172	1	GUARD,SPROCKET			
14	+	C328-000020	1	BAND,BRAKE			
15	+	93050-30098	1	ROLLER	F3*9.8		
16	+	V376-000450	1	SPACER			
17	+	V450-000070	1	SPRING,COMPRESSION			
18		V555-000170	1	BEARING.NEEDLE 10	8E-KV10*13*12.8		
19		A556-000091	1	DRUM,CLUTCH	3/8A		
20		A551-000010	1	PLATE,CLUTCH			
21		A056-000030	1	CLUTCH			
22	+	V451-000150	3	SPRING,TENSION			
23	+	P021-001950	1	CLUTCH SHOE SET			
24	+	A552-000020	1	HUB,CLUTCH			

6. CLUTCH, SPROCKET



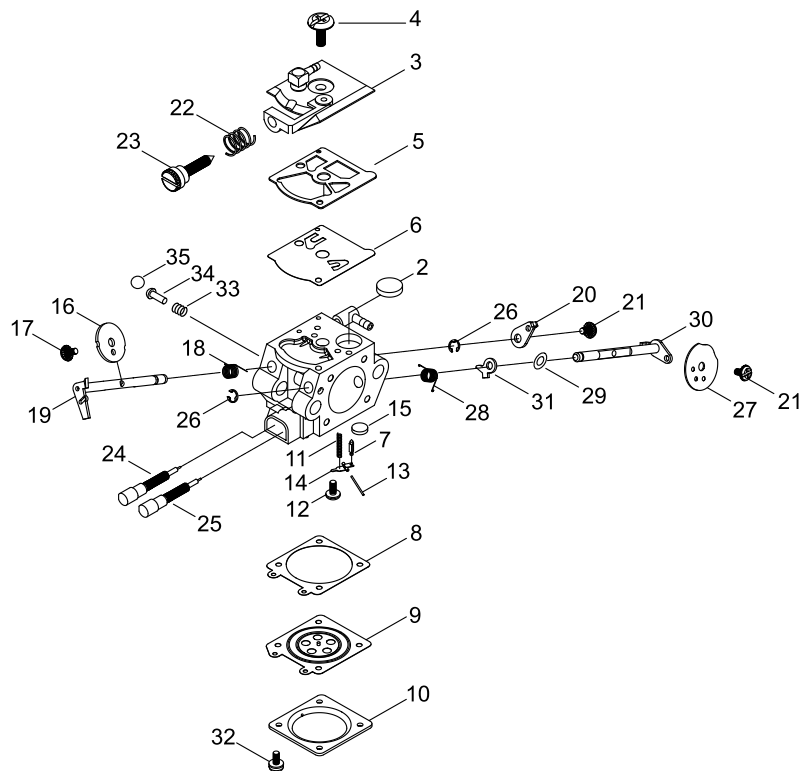
KEY	LV	PART NUMBER	Q'TY	DESCRIPTION	REMARKS	NOTE1	NOTE2
25		P021-000063	1	TENSIONER,CHAIN ASY			
26	+	V203-000021	1	BOLT,5			
27	+	C309-000030	1	TENSIONER,CHAIN			
28	+	V651-000011	1	GEAR,BEVEL			
29		V355-000800	1	COLLAR,8			
30		V651-000001	1	GEAR,BEVEL			
31		900253-04012	1	SCREW	4*12		
32		C305-000031	1	PLATE,SPROCKET GUARD			
33		V265-000200	1	NUT			
34		X502-000340	1	LABEL,ECHO	ECHO(WHITE)		
35		A320-000950	1	COVER,MUFFLER			
36		900253-04016	2	SCREW 4*16	4*16		
37		X222-000140	1	CHAIN,SAW	91PX-47E		
38		X122-000072	1	BAR,GUIDE 30	30RC50M-3/8		
40		X505-007710	1	LABEL,CAUTION			
41		V341-000180	1	WASHER,SQUARE	54*14 T0.15		

## 7. CARBURETOR



KEY	LV	PART NUMBER	Q'TY	DESCRIPTION	REMARKS	NOTE1	NOTE2
		A021-003742	1	CARBURETOR,DIAPHRAGM			
2	+	P003-005040	1	SCREEN,INLET			
3	+	123124-09520	1	COVER, FUEL PUMP			
4	+	123110-03930	1	SCREW, PUMP COVER			
5	+	123125-15030	1	GASKET, FUEL PUMP			
6	+	123112-15030	1	DIAPHRAGM, FUEL PUMP			
7	+	123137-19830	1	VALVE, INLET NEEDLE			
8	+	123140-03930	1	GASKET, M. DIAPHRAGM			
9	+	P003-001850	1	DIAPHRAGM, METERING			
10	+	123142-03930	1	COVER, M. DIAPHRAGM			
11	+	123122-03660	1	SPRING, METER. LEVER			
12	+	123139-03930	1	SCREW, M. LEVER PIN			
13	+	123138-03930	1	PIN, METERING LEVER			
14	+	123123-03930	1	LEVER, METERING			
15	+	123146-10631	1	PLUG, WELCH			
16	+	123116-05960	1	VALVE, THROTTLE			
17	+	P003-002380	1	SCREW			
18	+	123113-37530	1	SPRING, THROTTLE RTN			
19	+	P003-004810	1	SHAFT ASY,THROTTLE			
20	+	P003-001040	1	LEVER THROTTLE			
21	+	123114-38830	2	SCREW			
22	+	123133-04260	1	SPRING, IDLE ADJUST			
23	+	123134-04260	1	SCREW, IDLE ADJUST			
24	+	P003-004190	1	NEEDLE			
25	+	P003-004460	1	NEEDLE			

## 7. CARBURETOR



KEY	LV	PART NUMBER	Q'TY	DESCRIPTION	REMARKS	NOTE1	NOTE2
26	+	123127-15030	2	RING			
27	+	P003-002250	1	VALVE, CHOKE			
28	+	P003-002260	1	SPRING			
29	+	123149-26030	1	WASHER			
30	+	P003-001140	1	SHAFT, CHOKE			
31	+	P003-001510	1	LEVER-FAST IDLE			
32	+	123130-02960	4	SCREW			
33	+	123186-09660	1	SPRING, START VALVE			
34	+	123185-09660	1	PISTON ASSY			
35	+	123136-09660	1	BALL			

**Index**

<b>Patrs Number</b>	<b>Key No.</b>	<b>Patrs Number</b>	<b>Key No.</b>	<b>Patrs Number</b>	<b>Key No.</b>
100013-22330	1 - 10	436114-13930	1 - 24	A241-000060	5 - 28
100014-11520	1 - 8	436205-02832	4 - 12	A300-001641	2 - 5
100015-04630	1 - 9	890157-39131	5 - 24	A310-000420	2 - 16
100142-12330	1 - 26	890345-39231	5 - 26	A312-000060	2 - 15
100910-60030	5 - 3	890631-38131	5 - 22	A313-001840	2 - 3
100915-33930	5 - 2	895812-03930	2 - 7	A320-000950	6 - 35
100918-15130	5 - 13	900106-05016	1 - 16	A365-000050	4 - 34
100918-19830	5 - 1	900106-05025	1 - 25	A365-000050	4 - 34
123110-03930	7 - 4	900162-04012	1 - 12	A369-000381	4 - 26
123112-15030	7 - 6	900162-05022	1 - 2	A409-001130	3 - 1
123113-37530	7 - 18	900238-04012	4 - 6	A411-001510	3 - 8
123114-38830	7 - 21	900238-05018	3 - 9	A425-000000	3 - 16
123116-05960	7 - 16	900238-05050	5 - 17	A426-000000	3 - 15
123122-03660	7 - 11	900242-04010	2 - 17	A427-000000	3 - 14
123123-03930	7 - 14	900253-04008	5 - 6	A440-000430	5 - 27
123124-09520	7 - 3	900253-04012	4 - 14	A506-000460	3 - 21
123125-15030	7 - 5	900253-04012	5 - 35	A507-000110	3 - 19
123127-15030	7 - 26	900253-04012	6 - 10	A514-000020	3 - 4
123130-02960	7 - 32	900253-04012	6 - 31	A551-000010	6 - 20
123133-04260	7 - 22	900253-04016	6 - 36	A552-000020	6 - 24
123134-04260	7 - 23	900253-05020	1 - 21	A556-000091	6 - 19
123136-09660	7 - 35	900253-05020	5 - 7	C022-000020	4 - 2
123137-19830	7 - 7	900256-04016	3 - 27	C032-000137	6 - 1
123138-03930	7 - 13	900330-30260	6 - 3	C300-000172	6 - 13
123139-03930	7 - 12	900345-40025	5 - 30	C305-000023	1 - 18
123140-03930	7 - 8	900515-00008	3 - 2	C305-000031	6 - 32
123142-03930	7 - 10	900562-50005	6 - 4	C309-000030	6 - 27
123146-10631	7 - 15	900602-00004	4 - 15	C320-000047	6 - 2
123149-26030	7 - 29	900603-00005	3 - 5	C328-000020	6 - 14
123181-39130	4 - 27	900720-00018	4 - 33	C334-000070	6 - 12
123185-09660	7 - 34	900720-00018	4 - 33	C345-000114	6 - 9
123186-09660	7 - 33	900724-00004	1 - 23	C400-000200	5 - 4
130020-33330	5 - 23	900800-36001	1 - 5	C410-000157	5 - 10
131300-56431	4 - 31	91107-05045	2 - 2	C411-000001	5 - 36
132010-22130	4 - 10	91318-05032	6 - 7	C450-000141	5 - 32
132012-11960	4 - 8	91481-04035	4 - 16	C454-000080	5 - 33
132115-01461	4 - 11	93050-30098	6 - 15	C617-000200	5 - 5
132115-44330	4 - 13	A021-003742	5 - 21	P003-001040	7 - 20
150117-16430	3 - 10	A021-003742	7 -	P003-001140	7 - 30
156110-04920	3 - 13	A051-002421	3 - 17	P003-001510	7 - 31
156114-07320	3 - 12	A056-000030	6 - 21	P003-001850	7 - 9
163911-30130	1 - 15	A101-000630	1 - 11	P003-002250	7 - 27
177214-04630	4 - 17	A172-002040	3 - 7	P003-002260	7 - 28
177236-61830	3 - 18	A202-000001	1 - 14	P003-002380	7 - 17
177247-04630	3 - 31	A204-000060	5 - 19	P003-004190	7 - 24
178090-37930	5 - 34	A226-000260	5 - 18	P003-004460	7 - 25
433026-35430	1 - 20	A232-000191	5 - 14	P003-004810	7 - 19
433116-35430	6 - 11	A235-000140	5 - 16	P003-005040	7 - 2
433167-39130	6 - 6	A239-000030	4 - 20	P021-000063	6 - 25

**Index**

<b>Patrs Number</b>	<b>Key No.</b>	<b>Patrs Number</b>	<b>Key No.</b>	<b>Patrs Number</b>	<b>Key No.</b>
P021-001950	6 - 23	V485-000380	5 - 8		
P021-003438	1 - 22	V485-000390	5 - 9		
P021-005581	4 - 35	V490-001230	4 - 9		
P021-005591	4 - 32	V490-001240	4 - 25		
P021-010890	4 - 1	V505-000001	1 - 4		
P021-038050	1 - 1	V555-000170	6 - 18		
P021-038072	1 - 3	V582-000020	5 - 15		
P021-039390	1 - 7	V651-000001	6 - 30		
P022-001320	3 - 24	V651-000011	6 - 28		
P022-001330	3 - 23	V652-000030	4 - 4		
P022-006220	3 - 22	X122-000072	6 - 38		
P022-037670	3 - 25	X222-000140	6 - 37		
V104-001850	2 - 4	X490-000510	2 - 9		
V104-001860	2 - 6	X502-000340	6 - 34		
V130-000000	5 - 29	X502-000780	3 - 28		
V137-000000	4 - 30	X503-011230	5 - 38		
V141-000050	5 - 20	X505-007710	6 - 40		
V142-000030	5 - 37	X602-000150	2 - 8		
V186-000510	4 - 23	X698-000050	2 - 10		
V187-000010	4 - 7				
V202-000011	1 - 19				
V202-000020	4 - 21				
V202-000670	5 - 12				
V203-000021	6 - 26				
V203-000080	3 - 6				
V225-000031	1 - 17				
V265-000200	6 - 33				
V308-000030	4 - 3				
V341-000180	6 - 41				
V352-000020	4 - 18				
V353-000060	6 - 5				
V355-000800	6 - 29				
V356-000290	4 - 5				
V358-000021	1 - 13				
V376-000450	6 - 16				
V401-000560	5 - 11				
V420-000930	5 - 25				
V450-000070	6 - 17				
V450-000080	4 - 19				
V451-000150	6 - 22				
V452-000030	3 - 3				
V452-000110	6 - 8				
V452-000260	5 - 31				
V452-001320	3 - 20				
V470-000321	4 - 22				
V471-001230	4 - 24				
V471-001270	4 - 29				
V471-001280	4 - 28				
V475-001900	3 - 11				

# YAMABIKO CORPORATION

7-2 SUEHIROCHO 1-CHOME, OHME, TOKYO 198-8760, JAPAN  
PHONE: 81-428-32-6118. FAX: 81-428-32-6145.



14Db  
No. 04-042