



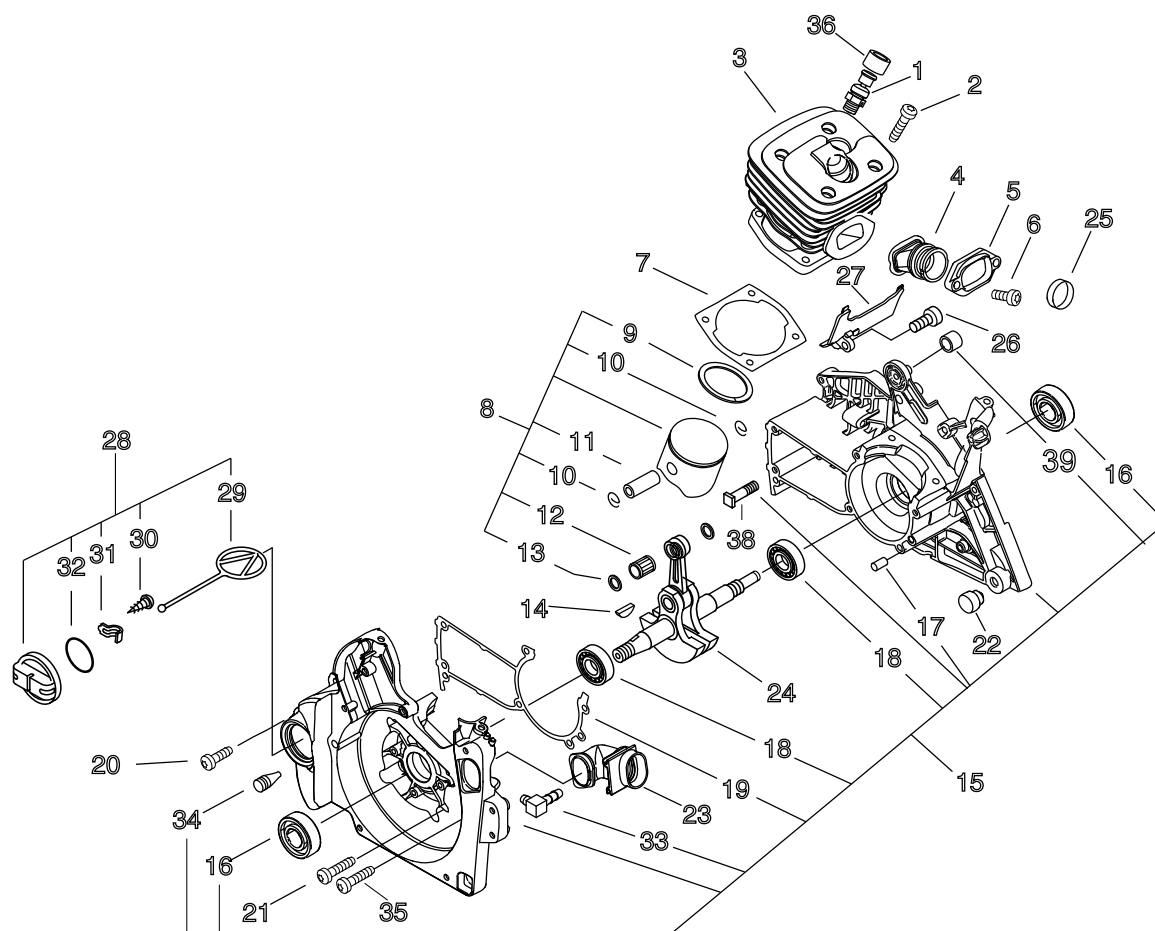
PARTS CATALOG

CHAIN SAW CS-600(36)

36005001 - 36005754

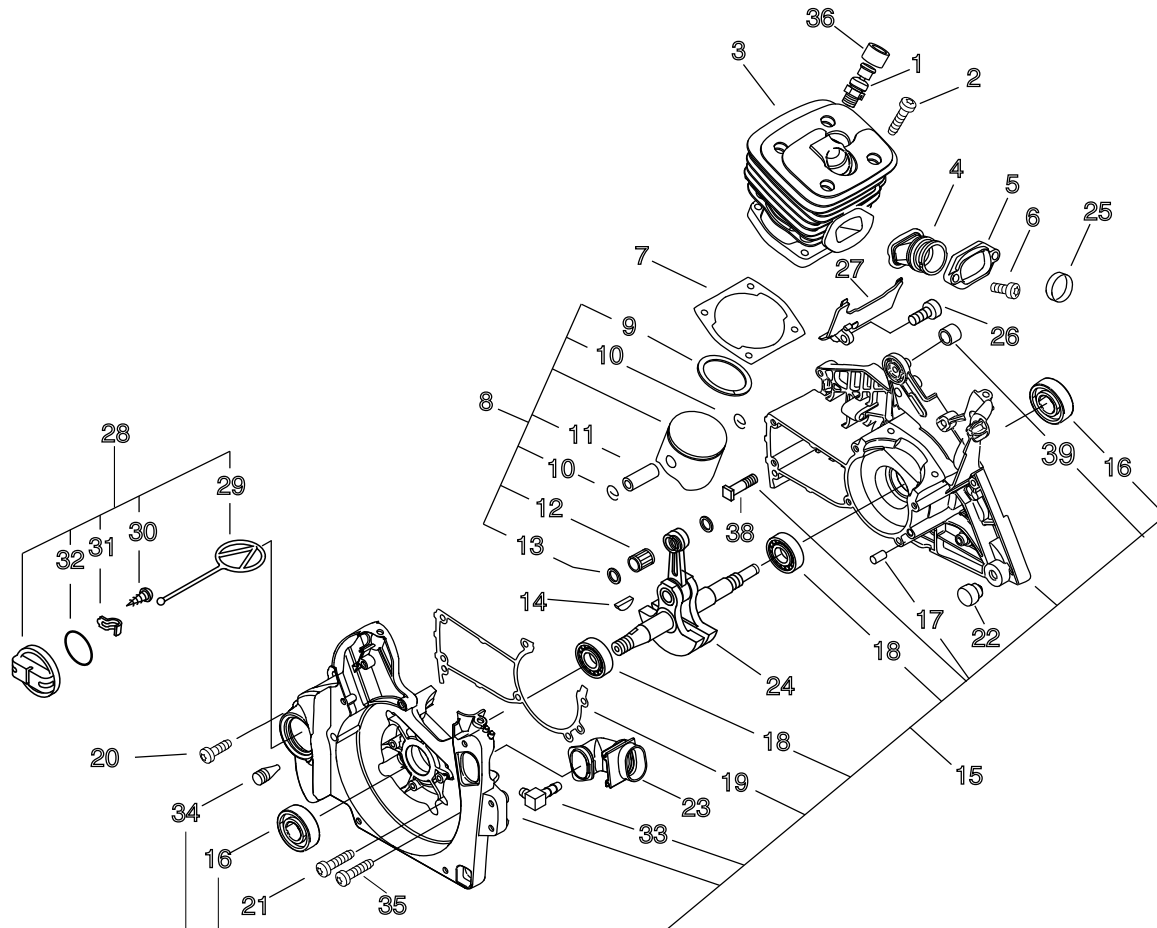
P014-000020-10Hb

1. CYLINDER, CRANKCASE, PISTON



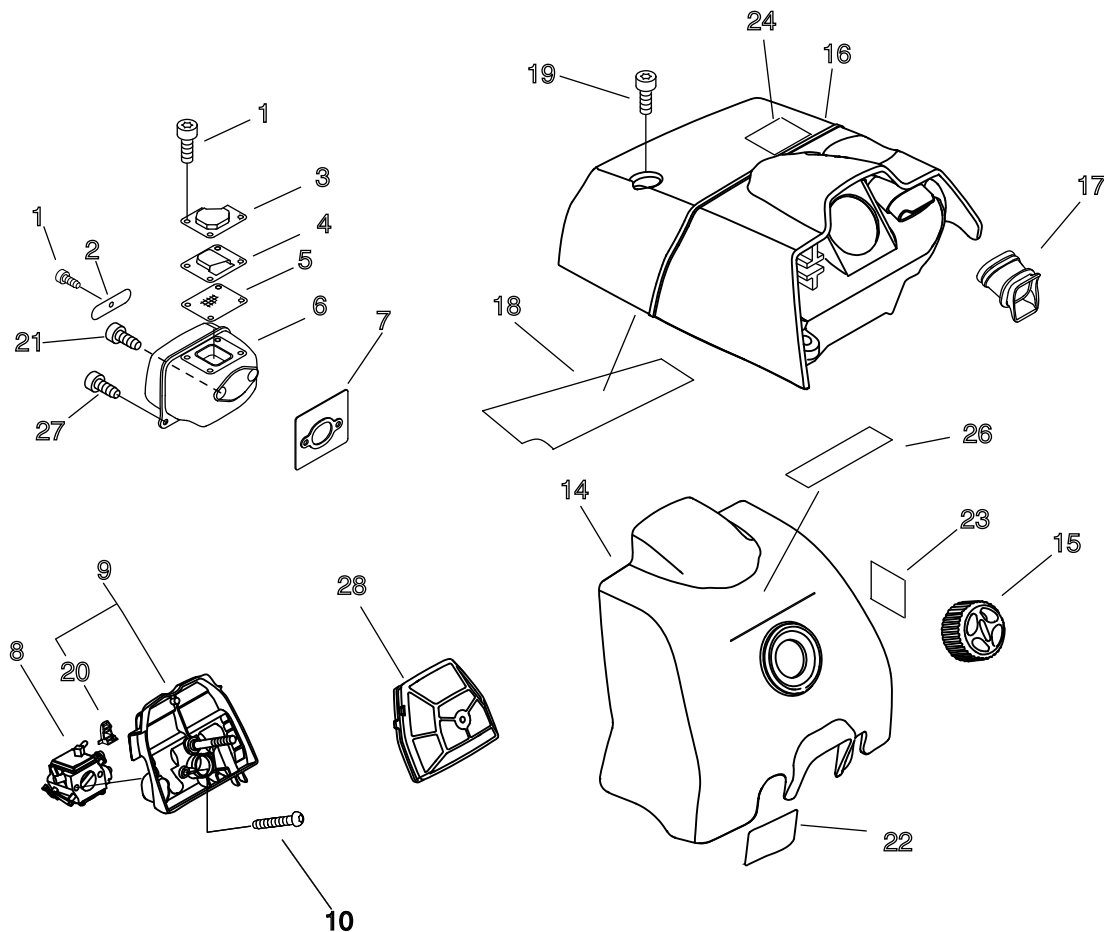
KEY	LV	PART NUMBER	Q'TY	DESCRIPTION	REMARKS	NOTE1	NOTE2
1		A014-000040	1	DECOMP,ASM			
2		V805-000220	4	BOLT, TORX 5	TB-5*25 12.9		
3		A130-000910	1	CYLINDER	45 4TW		
4		A202-000080	1	BELLOWS, INTAKE			
5		A206-000010	1	HOLDER, BELLOWS			
6		V805-000000	2	BOLT, TORX 5	TT-5*16 DG 10.9		
7		V100-000270	1	GASKET,CYL			
8		P021-015190	1	PISTON KIT			
9	+	A101-000210	1	RING, PISTON	45*1.5*1.9		
10	+	V580-000030	2	RING,END	D 1.0		
11	+	V609-000010	1	PIN,ENG 11	7*11*37.6		
12	+	V556-000000	1	BEARING,NEEDLE 11	KBK11*15*15.8X2		
13	+	V308-000040	2	WASHER,CIRCULAR 11	11.2*19.5*0.5		
14		100142-30830	1	KEY, WOODRUFF			
15		P021-015132	1	CRANK CASE SET			
16	+	V508-000010	2	SEAL,OIL 15	ISCD 15*25*7		
17	+	100215-02830	2	PIN, DOWEL			
18	+	V592-000000	2	BEARING, BALL	15*38*11		
19	+	V102-000060	1	GASKET,CRANKCASE	T0.4		
33	+	437239-14730	1	NIPPLE			
34	+	436114-13930	1	VALVE, CHECK			
38	+	V205-000400	2	BOLT,8	11.5		
39	+	V356-000470	1	COLLAR,10	12*10*T1.0		

1. CYLINDER, CRANKCASE, PISTON



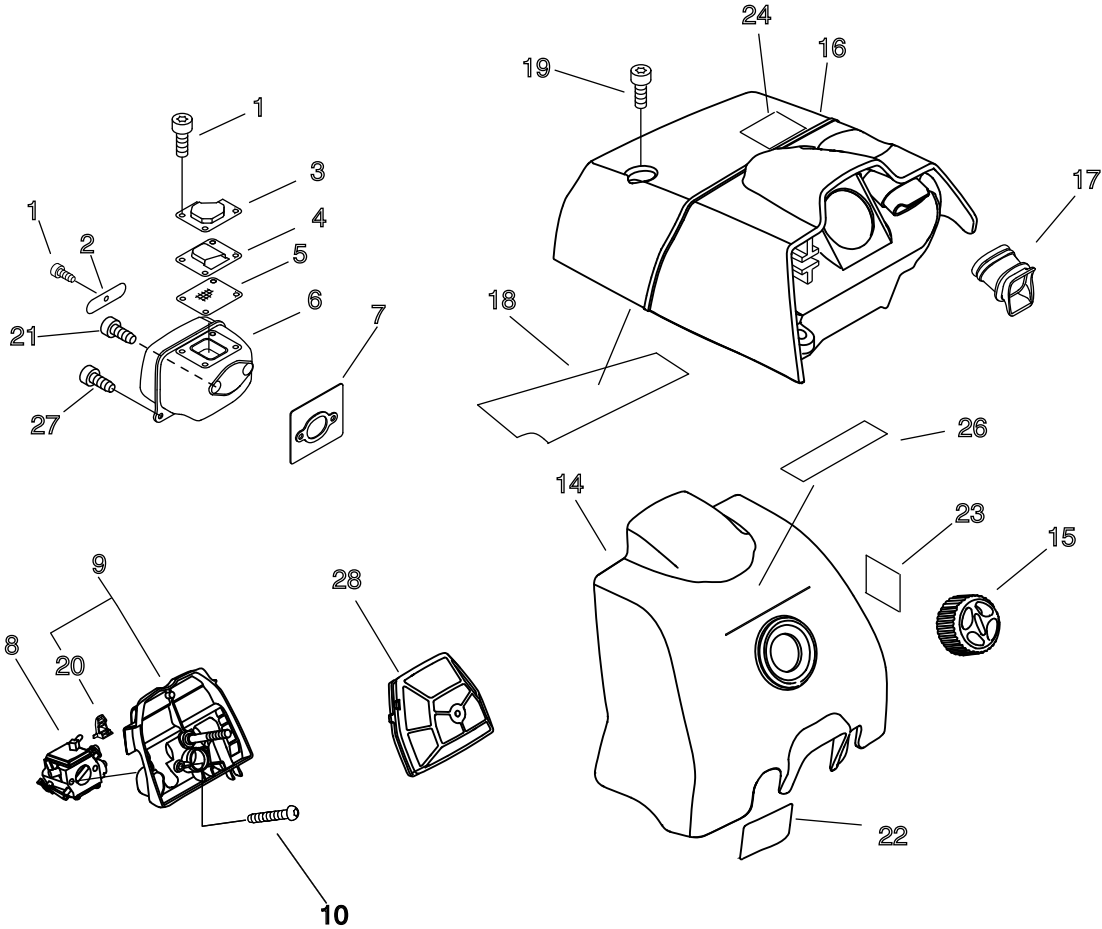
KEY	LV	PART NUMBER	Q'TY	DESCRIPTION	REMARKS	NOTE1	NOTE2
20		V805-000010	2	BOLT, TORX 5	TT-5*20 DG 10.9		
21		V805-000020	4	BOLT, TORX 5	TT-5*35 DG 10.9		
22		V420-001790	2	CUSHION			
23		A239-000060	1	PIPE, INTAKE			
24		A011-000540	1	CRANKSHAFT,ASY			
25		V360-000060	1	COLLAR,18			
26		V805-000000	1	BOLT, TORX 5	TT-5*16 DG 10.9		
27		E106-000020	1	GUIDE,AIR			
28		P021-016030	1	CAP, OIL			
29	+	131051-19830	1	LINK	60L		
30	+	900246-03008	1	SCREW 3*8	3*8		
31	+	131050-19830	1	RETAINER, LINK			
32	+	900720-00028	1	O-RING 28	P-28		
35		V805-000170	1	BOLT, TORX 5	TB-5*25 10.9		
36		V141-000090	1	GROMMET,PLUG			
37		132115-01461	1	GROMMET			

2. AIR CLEANER, CARBURETOR, MUFFLER



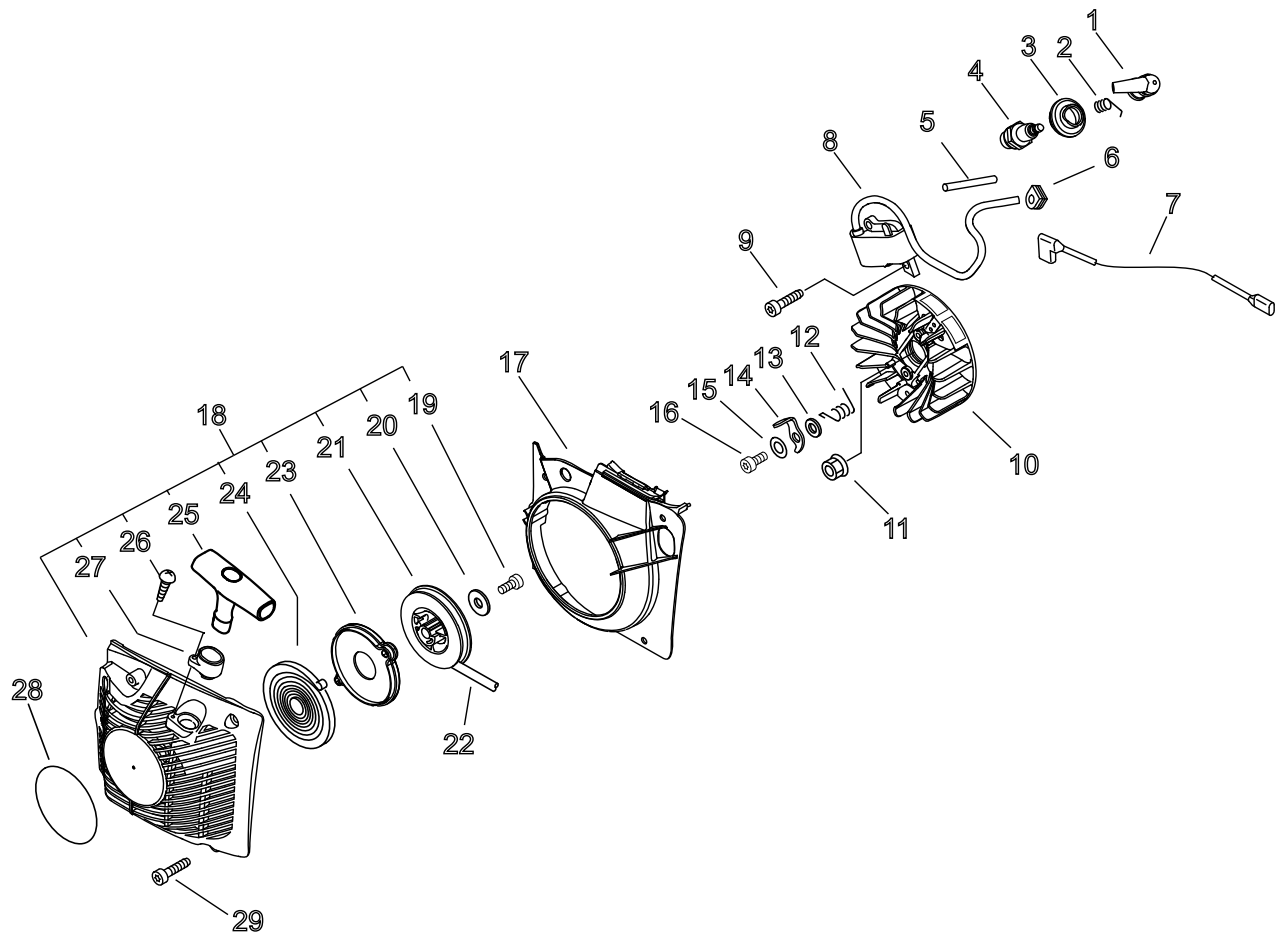
KEY	LV	PART NUMBER	Q'TY	DESCRIPTION	REMARKS	NOTE1	NOTE2
1		V804-000030	5	BOLT, TORX 4	TB-4*8 10.9		
2		A301-000030	1	PLATE, MUFFLER	T0.5		
3		A313-001050	1	GUIDE, EXHAUST			
4		A313-001040	1	GUIDE, EXHAUST			
4		A313-001041	1	GUIDE, EXHAUST			
5		A310-000100	1	SCREEN, ARRESTOR			
6		A300-000770	1	MUFFLER, EXHAUST			
7		V104-000910	1	GASKET, EXHAUST	T1.6		
8		A021-001660	1	CARBURETOR, DIAPHRAGM	HDA-268		
9		P021-016020	1	CASE, CLEANER			
20	+	A219-000000	1	SHUTTER, AIR			
10		V805-000030	2	BOLT, TORX 5	TT-5*50 DG 10.9		
12		A244-000080	1	PLATE, PREVENT			
14		A232-000471	1	LID, CLEANER			
15		A235-000190	1	KNOB, CLEANER LID			
16		A160-001080	1	COVER, CYLINDER			
17		A239-000070	1	PIPE, INTAKE			
18		V341-000140	1	WASHER, SQUARE	75*32*0.15		
19		V805-000000	3	BOLT, TORX 5	TT-5*16 DG 10.9		
21		V805-000210	2	BOLT, TORX 5	TB-5*20 12.9		
22		890157-39130	1	LABEL, SWITCH			
23		890631-38130	1	LABEL, CAUTION			
24		890345-39230	1	LABEL, CAUTION			
26		X503-009510	1	LABEL, MODEL	CS-600		

2. AIR CLEANER, CARBURETOR, MUFFLER



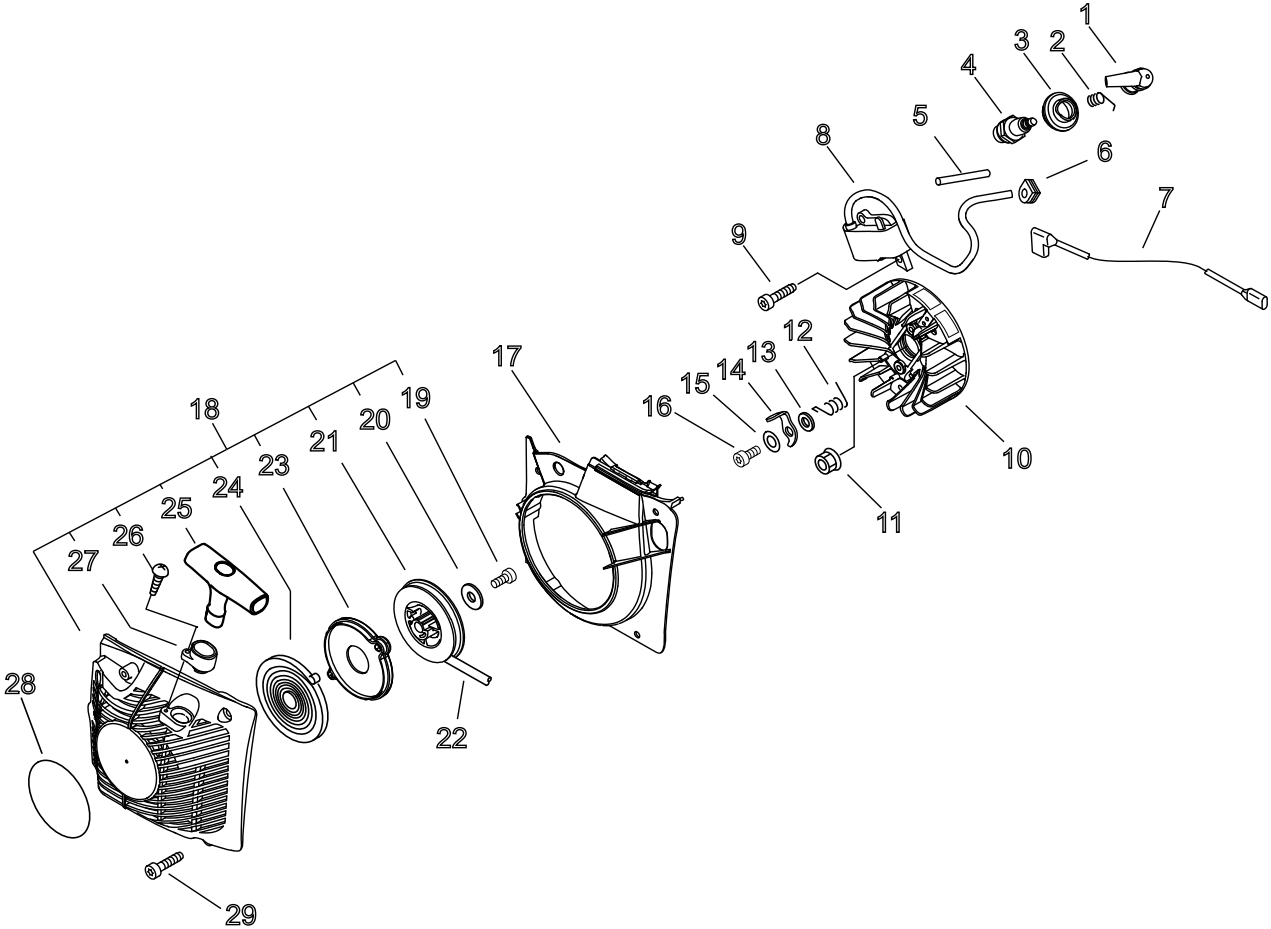
KEY	LV	PART NUMBER	Q'TY	DESCRIPTION	REMARKS	NOTE1	NOTE2
27		V855-000000	2	BOLT, TORX 5	TB-5*20		
28		P021-016370	1	ELEMENT,AIR FILTER			

3. STARTER, MAGNETO



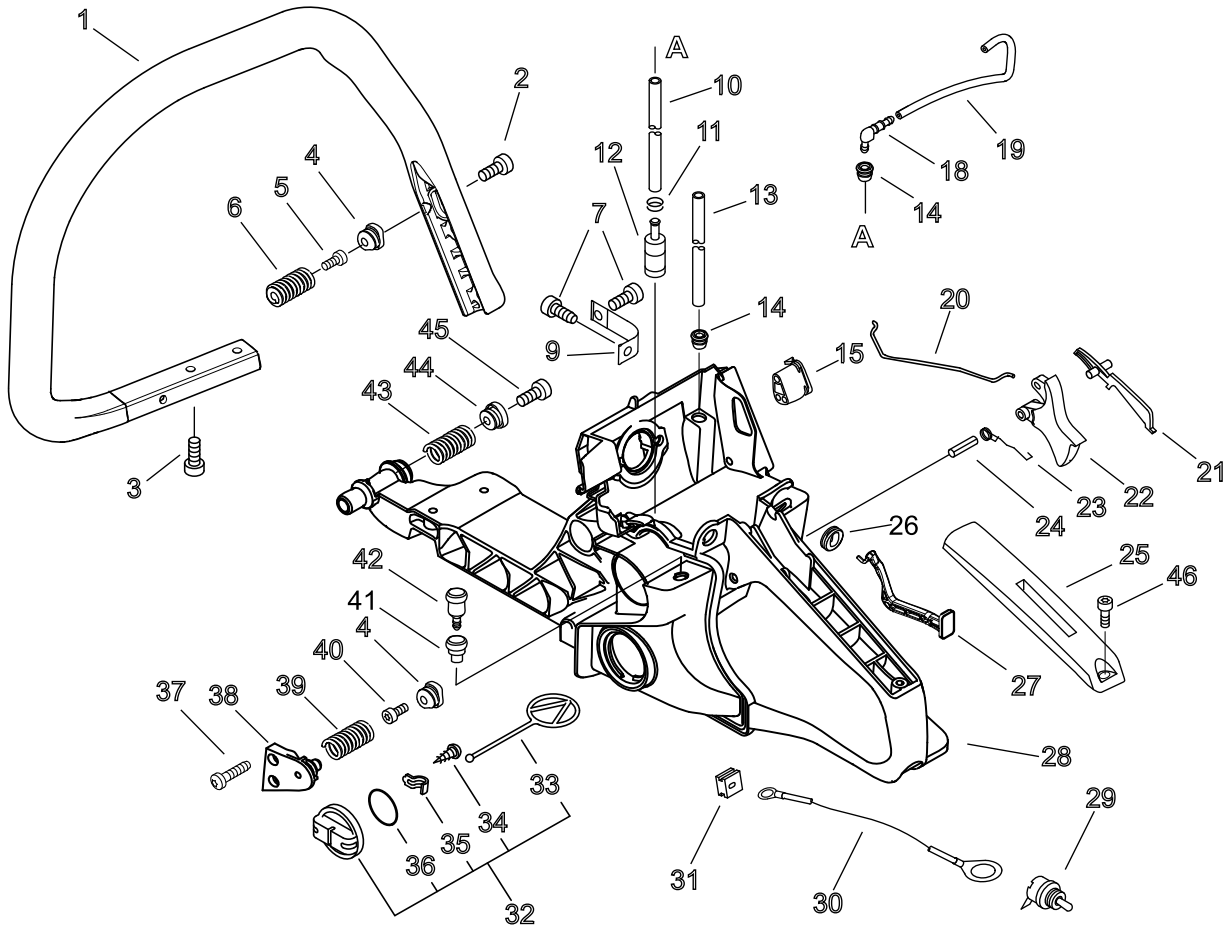
KEY	LV	PART NUMBER	Q'TY	DESCRIPTION	REMARKS	NOTE1	NOTE2
1		A427-000013	1	CAP, SPARK PLUG			
2		A426-000010	1	TERMINAL, SPARKPLUG			
3		A429-000040	1	COVER, CAP			
4		A425-000000	1	SPARKPLUG	BPMR8Y		
5		V475-004130	1	TUBE			
6		156110-04920	1	BUSHING			
7		V485-001090	1	LEAD	L:280/#250/#187		
7		V485-001091	1	LEAD	AVX0.75F		
9		V805-000000	2	BOLT, TORX 5	TT-5*16 DG 10.9		
10		A409-000360	1	ROTOR, MAGNETO			
8		A411-000450	1	COIL, IGNITION			
11		900515-00008	1	NUT, FLANGE 8	8		
12		177234-35430	2	SPRING, RETURN			
13		177247-04630	2	SPACER, RATCHET	5.2*8*2.1		
14		177218-19830	2	PAWL, STARTER			
15		900603-00005	2	WASHER 5	5.5*12*0.8		
16		V835-000000	2	BOLT, TORX 5			
17		A172-000841	1	COVER, FAN			
17		A172-000842	1	COVER, FAN			
18		P021-015161	1	STARTER ASY			
19	+	V805-000130	1	BOLT, TORX 5	TB-5*10 10.9		
20	+	177214-02830	1	WASHER	5.2*16*1.0T		
21	+	A506-000110	1	REEL, ROPE			
22	+	177226-07060	1	ROPE, STARTER	4.0*950		

3. STARTER, MAGNETO



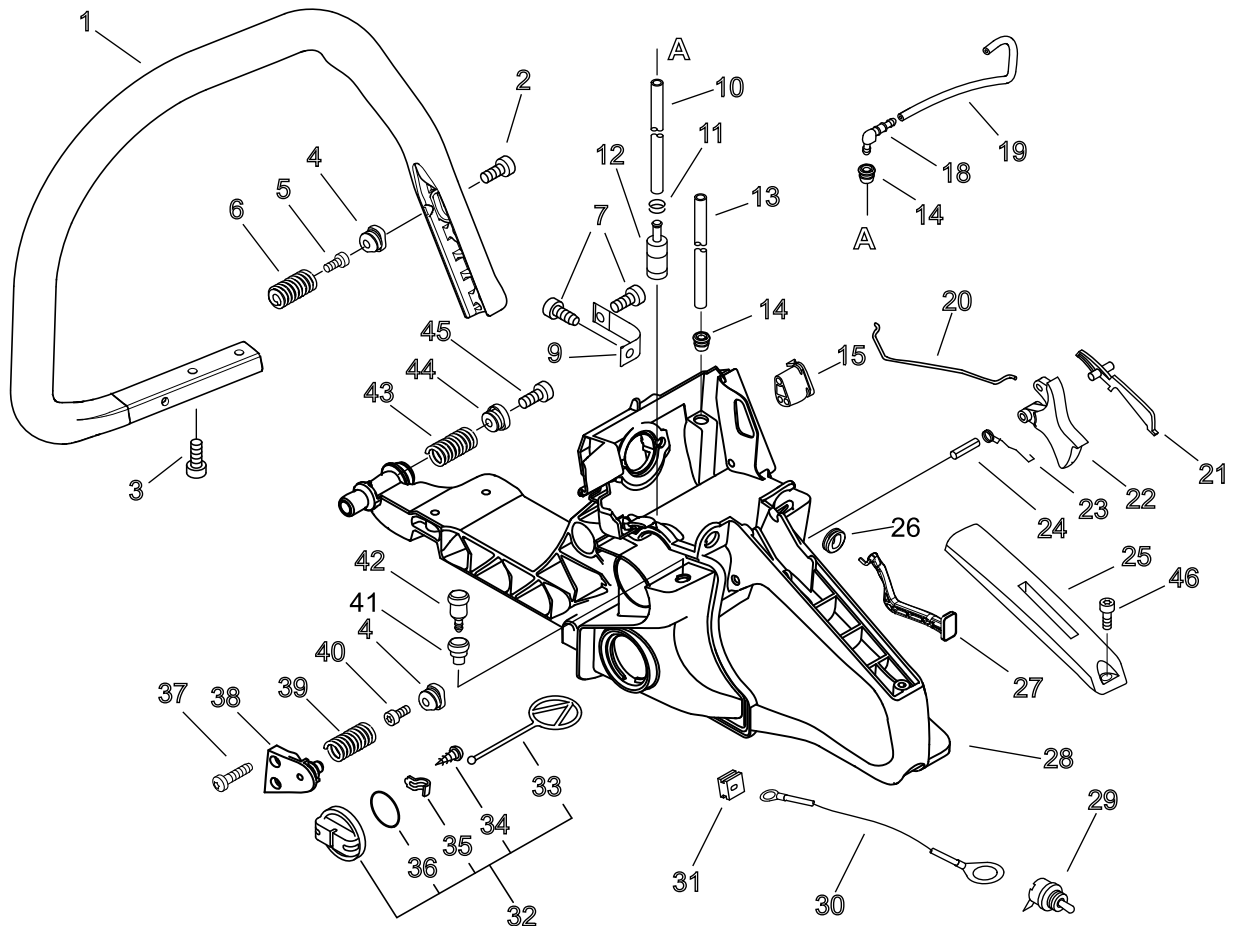
KEY	LV	PART NUMBER	Q'TY	DESCRIPTION	REMARKS	NOTE1	NOTE2
23	+	A503-000030	1	PLATE, STARTER			
24	+	177220-35430	1	SPRING, REWIND			
25	+	A511-000070	1	GRIP, STARTER			
26	+	900296-03016	1	SCREW 3*16			
27	+	A510-000090	1	GUIDE, ROPE			
28		X502-000460	1	LABEL,ECHO			
29		V805-000000	4	BOLT, TORX 5	TT-5*16 DG 10.9		
29		V805-000010	4	BOLT, TORX 5	TT-5*20 DG 10.9		

4. HANDLE



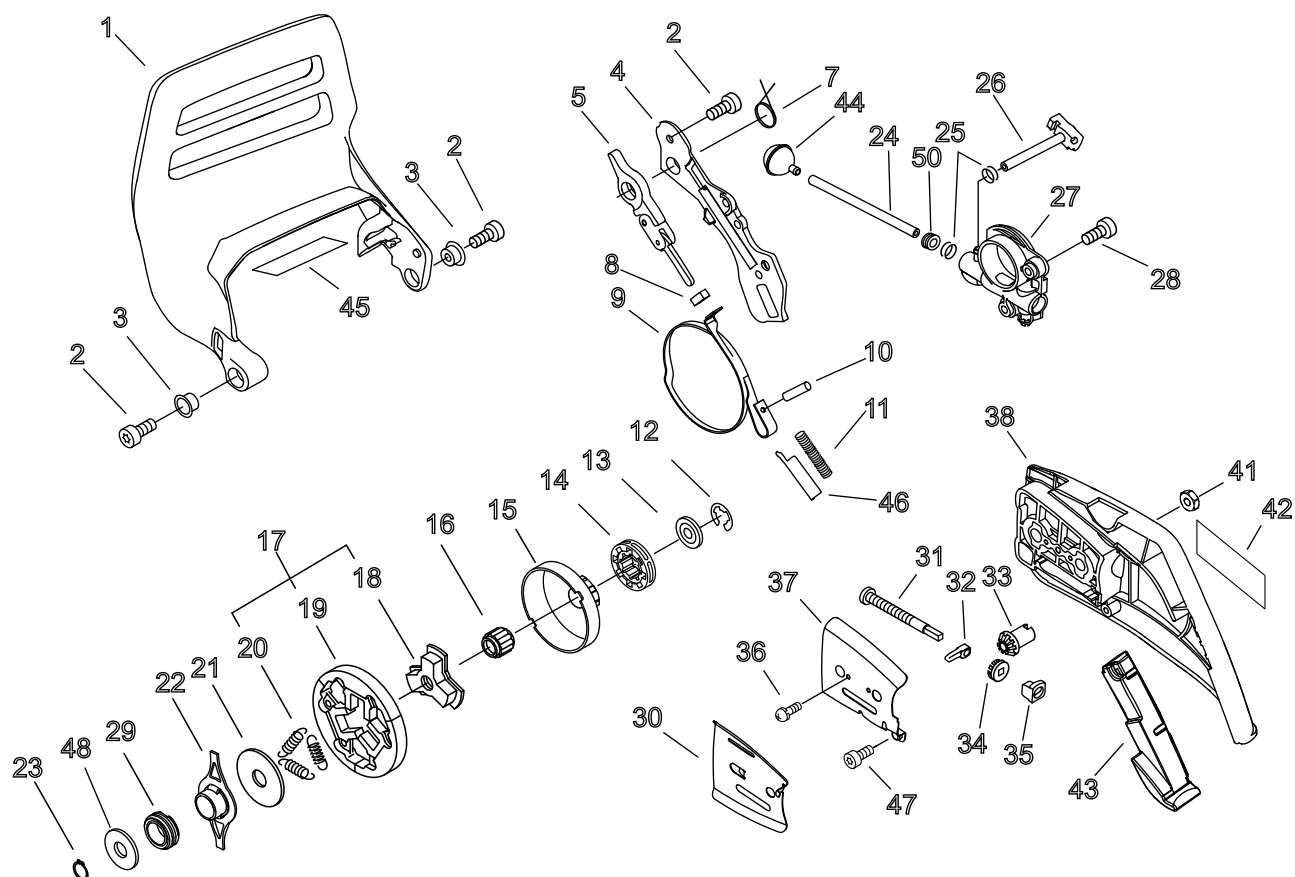
KEY	LV	PART NUMBER	Q'TY	DESCRIPTION	REMARKS	NOTE1	NOTE2
1		C400-000550	1	HANDLE, FRONT			
2		V806-000000	1	BOLT, TORX 6	TT-6*20 DG 10.9		
3		V805-000010	4	BOLT, TORX 5	TT-5*20 DG 10.9		
4		V456-000080	2	HOLDER, SPRING	14.4		
5		V805-000000	1	BOLT, TORX 5	TT-5*16 DG 10.9		
6		V450-000730	1	SPRING, COMPRESSION	17*38.4		
7		V805-000000	2	BOLT, TORX 5	TT-5*16 DG 10.9		
9		C617-000360	1	STOPPER			
10		V471-000600	1	PIPE	3*5*120		
11		132013-09820	1	CLIP	6MM		
12		131205-19831	1	STRAINER, FUEL			
13		130110-30830	1	PIPE, IMPULSE			
14		132115-01461	2	GROMMET			
15		V131-000020	1	GROMMET, NEEDLE			
18		V186-000080	1	JOINT, PIPE			
19		130110-14530	1	PIPE, IMPULSE	3*6*135L		
20		C454-000170	1	ROD, THROTTLE			
22		C450-000360	1	CONTROL, THROTTLE			
23		V452-000260	1	SPRING, TORSION			
24		900345-40025	1	PIN, SPRING 4*25SUS	4*25SUS		
25		C411-000001	1	LID, HANDLE			
26		V130-000030	1	GROMMET, CHOKE			

4. HANDLE



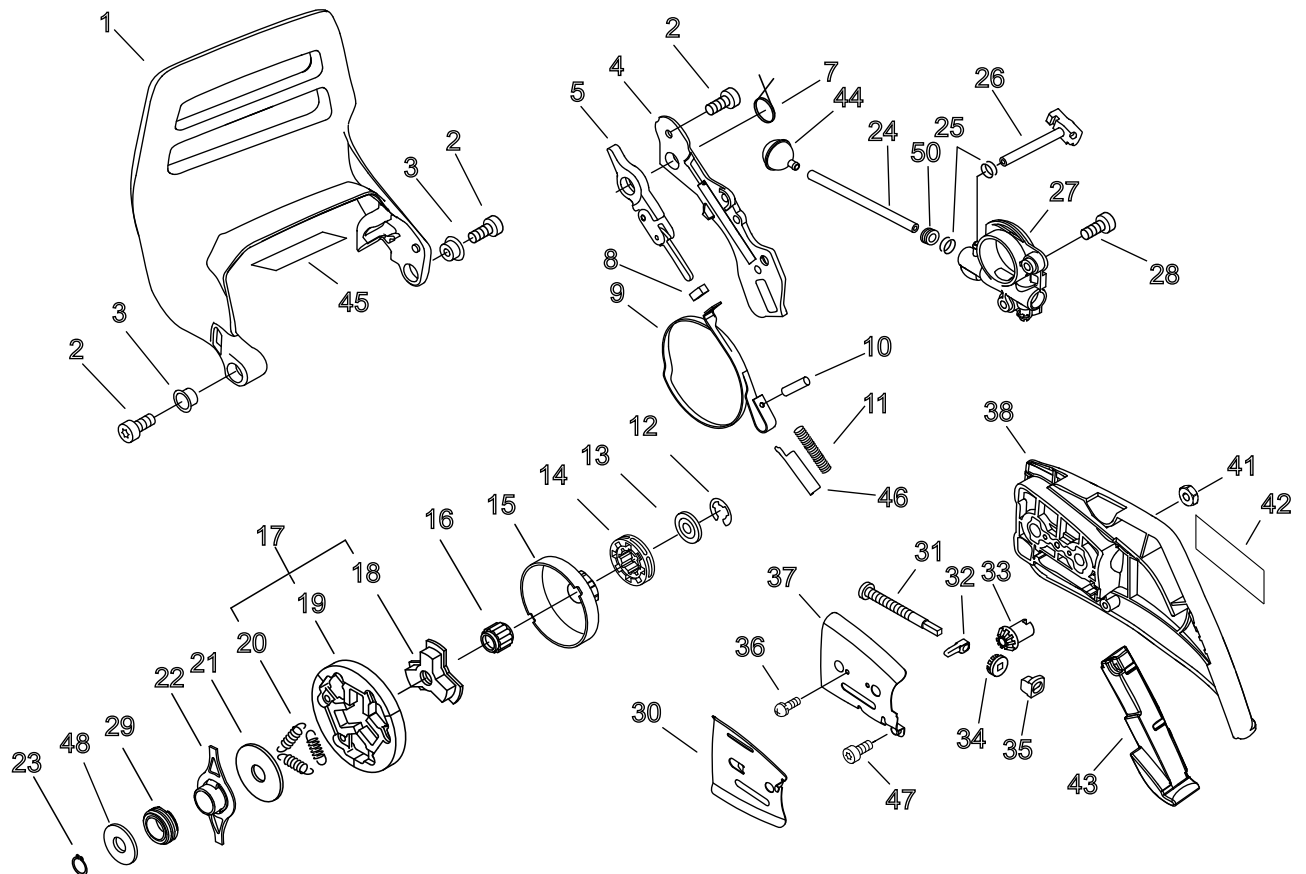
KEY	LV	PART NUMBER	Q'TY	DESCRIPTION	REMARKS	NOTE1	NOTE2
27		A241-000170	1	KNOB, CHOKE			
28		C410-000460	1	HANDLE, REAR			
29		A440-001190	1	SWITCH, ON OFF			
30		V485-001100	1	LEAD	L:170/LA105		
31		150114-04920	1	BUSHING			
32		P021-016040	1	CAP, FUEL ASSY			
33	+	131051-19830	1	LINK	60L		
34	+	900246-03008	1	SCREW 3*8	3*8		
35	+	131050-19830	1	RETAINER, LINK			
36	+	900720-20029	1	O-RING 29	P-29		
37		V805-000010	2	BOLT, TORX 5	TT-5*20 DG 10.9		
38		V456-000090	1	HOLDER, SPRING			
39		V450-000760	1	SPRING, COMPRESSION	17*36.7*2.6		
40		V805-000230	1	BOLT, TORX 5	TT-5*25 DG 10.9		
41		A359-000000	1	COVER, VENT	22.5*D18*D8.5		
42		131300-56430	1	VALVE, CHECK			
43		V450-000770	1	SPRING, COMPRESSION	20*40*3.3		
44		V456-000101	1	HOLDER, SPRING			
45		V806-000000	1	BOLT, TORX 6	TT-6*20 DG 10.9		
46		V804-000000	1	BOLT, TORX 4	TT-4*12 DG 10.9		

5. CLUTCH, SPROCKET



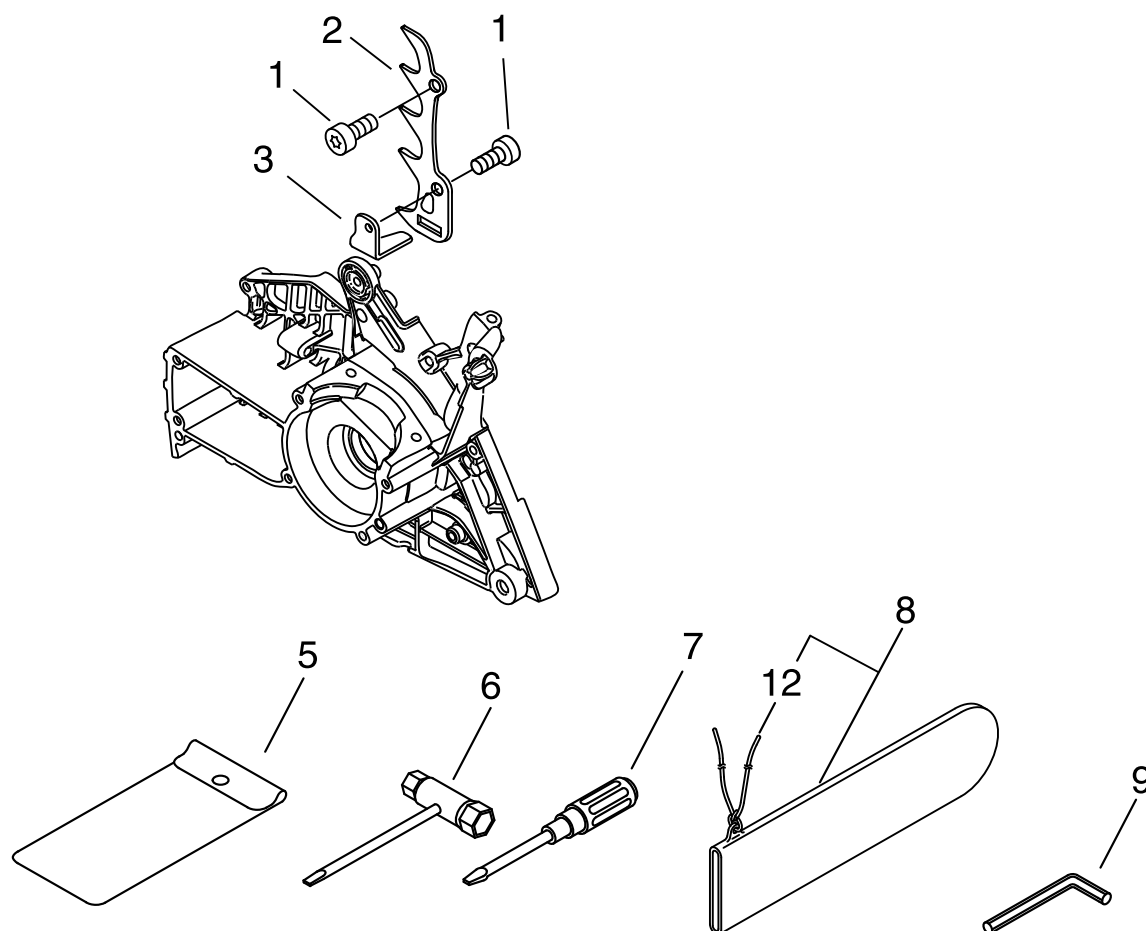
KEY	LV	PART NUMBER	Q'TY	DESCRIPTION	REMARKS	NOTE1	NOTE2
1		C320-000180	1	LEVER, BRAKE			
2		V805-000000	5	BOLT, TORX 5	TT-5*16 DG 10.9		
3		V356-000440	2	COLLAR,10	11.2*16.2*T0.6		
4		C345-000282	1	COVER,BRAKE			
5		C334-000110	1	CONNECTOR, BRAKE			
7		V452-000400	1	SPRING,TORSION			
8		V376-000450	1	SPACER			
9		C328-000120	1	BAND, BRAKE			
9		C328-000121	1	BAND, BRAKE			
10		93050-30080	1	ROLLER			
11		V450-000740	1	SPRING,COMPRESSION	12*70.5		
12		V583-000130	1	RING	8 T1.2		
13		V307-000180	1	WASHER,CIRCULAR 10	10*28.5*3.5(0.8)		
14		175033-14731	1	SPROCKET, RIM 68210S			
15		A556-000550	1	DRUM, CLUTCH			
16		100012-12331	1	BEARING, NEEDLE			
17		A056-000220	1	CLUTCH ASY	VA		
18	+	A552-000110	1	HUB, CLUTCH			
19	+	A555-000070	3	SHOE,CLUTCH			
20	+	V451-000500	3	SPRING,TENSION			
21		A551-000110	1	PLATE, CLUTCH	12*36*2		
22		V358-000090	1	COLLAR,14			
23		900701-00015	1	CIRCLIP 15	CS-15		

5. CLUTCH, SPROCKET



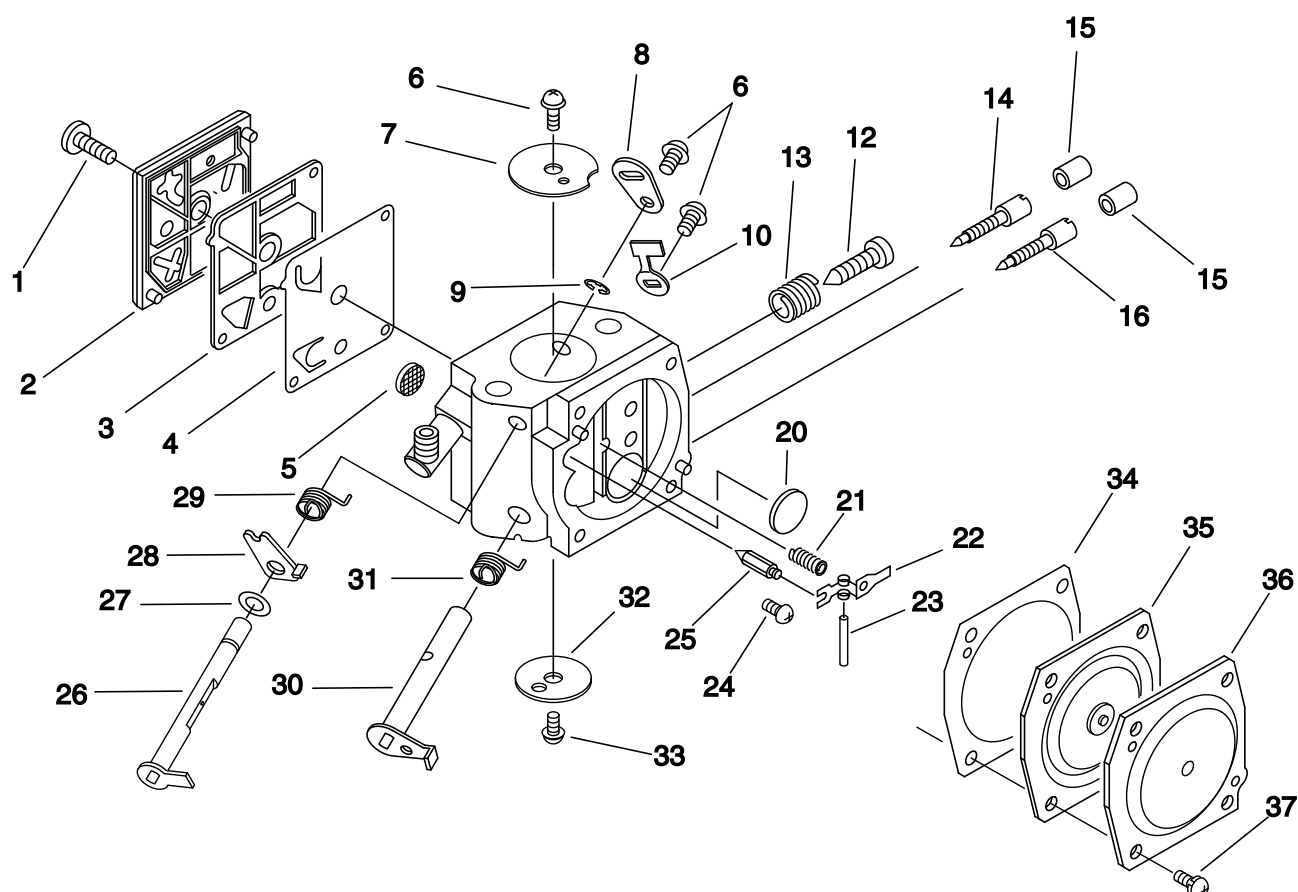
KEY	LV	PART NUMBER	Q'TY	DESCRIPTION	REMARKS	NOTE1	NOTE2
24		437210-30830	1	PIPE, OIL	NBR 3*6*210L		
25		132013-09820	2	CLIP	6MM		
26		V470-000830	1	PIPE			
27		C022-000050	1	AUTO-OILER ASSEMBLY			
28		V804-000000	2	BOLT, TORX 4	TT-4*12 DG 10.9		
29		V652-000050	1	GEAR, WORM			
30		C305-000110	1	PLATE, SPROCKET GUARD			
31		V203-000110	1	BOLT, 5			
32		C309-000070	1	TENSIONER, CHAIN			
33		V651-000001	1	GEAR, BEVEL			
34		V651-000011	1	GEAR, BEVEL			
35		V355-000270	1	COLLAR, 8			
36		900241-03006	1	SCREW 3*6	3*6		
37		C305-000100	1	PLATE, SPROCKET GUARD			
38		C300-000410	1	GUARD, SPROCKET			
41		V265-000110	2	NUT, 8			
42		X502-000340	1	LABEL, ECHO	ECHO(WHITE)		
43		C302-000010	1	PAD, GUARD			
44		436205-14730	1	STRAINER, OIL			
45		V341-000130	1	WASHER, SQUARE	75*27*0.15		
46		C603-000220	1	PLATE, SIDE	T0.3		
47		V804-000000	1	BOLT, TORX 4	TT-4*12 DG 10.9		
48		V311-000090	1	WASHER, CIRCULAR 16-1	15.5*22.5*0.5		

6. TOOLS



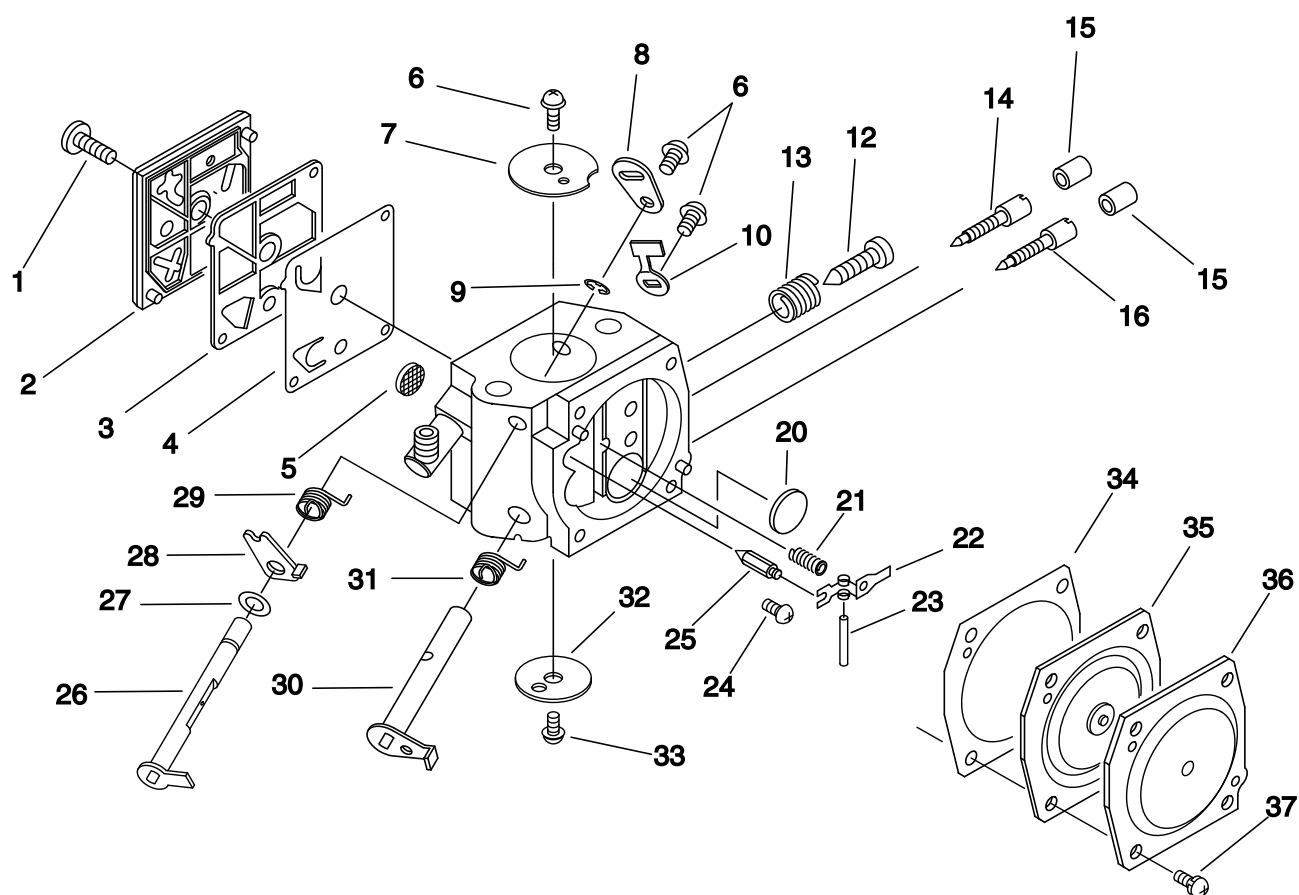
KEY	LV	PART NUMBER	Q'TY	DESCRIPTION	REMARKS	NOTE1	NOTE2
1		V805-000000	2	BOLT, TORX 5	TT-5*16 DG 10.9		
2		C304-000040	1	SPIKED			
3		C310-000010	1	CATCHER, CHAIN			
5		898510-07130	1	BAG, TOOL			
6		X602-000080	1	TOOL,WRENCH	13*19 L180		
7		895812-03930	1	DRIVER, SCREW 50			
8		P021-014290	1	SCABBARD,CHAIN			
9		X605-000050	1	TOOL,L WRENCH			

7. CARBURETOR



KEY	LV	PART NUMBER	Q'TY	DESCRIPTION	REMARKS	NOTE1	NOTE2
		A021-001660	1	CARBURETOR,DIAPHRAGM	HDA-268		
1	+	123110-16130	1	SCREW, PUMP COVER			
2	+	123124-19830	1	COVER, FUEL PUMP			
3	+	123125-12330	1	GASKET, FUEL PUMP			
4	+	123112-12330	1	DIAPHRAGM, FUEL PUMP			
5	+	123126-10631	1	SCREEN, INLET			
6	+	123114-38830	3	SCREW			
7	+	123116-16130	1	VALVE, THROTTLE			
8	+	P003-002300	1	LEVER, CHOKE			
9	+	123127-15030	1	RING			
10	+	123156-30830	1	STOP, THROTTLE			
12	+	123134-04260	1	SCREW, IDLE ADJUST			
13	+	123133-04260	1	SPRING, IDLE ADJUST			
14	+	123120-32631	1	NEEDLE, HIGH SPEED			
15	+	P003-000010	2	LIMITER CAP			
16	+	123118-02261	1	NEEDLE			
20	+	123146-10631	1	PLUG, WELCH			
21	+	123122-32630	1	SPRING, METER. LEVER			
22	+	123123-18330	1	LEVER, METERING			
23	+	123138-03930	1	PIN, METERING LEVER			
24	+	123139-03930	1	SCREW, M. LEVER PIN			
25	+	123137-19830	1	VALVE, INLET NEEDLE			
26	+	P003-002290	1	SHAFT, CHOKE			
27	+	123149-26030	1	WASHER			
28	+	P003-000620	1	LEVER-FAST IDLE			
29	+	P003-000610	1	SPRING			

7. CARBURETOR



KEY	LV	PART NUMBER	Q'TY	DESCRIPTION	REMARKS	NOTE1	NOTE2
30	+	P003-002280	1	SHAFT, THROTTLE			
31	+	P003-000560	1	SPRING, THRT. RETURN			
32	+	123132-16130	1	VALVE, CHOKE			
33	+	123114-05260	1	SCREW			
34	+	123140-16130	1	GASKET, M. DIAPHRAGM			
35	+	123141-16131	1	DIAPHRAGM, METERING			
36	+	123142-17330	1	COVER, M. DIAPHRAGM			
37	+	123130-02960	4	SCREW			

Index

Patrs Number	Key No.	Patrs Number	Key No.	Patrs Number	Key No.
100012-12331	5 - 16	177247-04630	3 - 13	A425-000000	3 - 4
100142-30830	1 - 14	436114-13930	1 - 34	A426-000010	3 - 2
100215-02830	1 - 17	436205-14730	5 - 44	A427-000013	3 - 1
123110-16130	7 - 1	437210-30830	5 - 24	A429-000040	3 - 3
123112-12330	7 - 4	437239-14730	1 - 33	A440-001190	4 - 29
123114-05260	7 - 33	890157-39130	2 - 22	A503-000030	3 - 23
123114-38830	7 - 6	890345-39230	2 - 24	A506-000110	3 - 21
123116-16130	7 - 7	890631-38130	2 - 23	A510-000090	3 - 27
123118-02261	7 - 16	895812-03930	6 - 7	A511-000070	3 - 25
123120-32631	7 - 14	898510-07130	6 - 5	A551-000110	5 - 21
123122-32630	7 - 21	900241-03006	5 - 36	A552-000110	5 - 18
123123-18330	7 - 22	900246-03008	1 - 30	A555-000070	5 - 19
123124-19830	7 - 2	900246-03008	4 - 34	A556-000550	5 - 15
123125-12330	7 - 3	900296-03016	3 - 26	C022-000050	5 - 27
123126-10631	7 - 5	900345-40025	4 - 24	C300-000410	5 - 38
123127-15030	7 - 9	900515-00008	3 - 11	C302-000010	5 - 43
123130-02960	7 - 37	900603-00005	3 - 15	C304-000040	6 - 2
123132-16130	7 - 32	900701-00015	5 - 23	C305-000100	5 - 37
123133-04260	7 - 13	900720-00028	1 - 32	C305-000110	5 - 30
123134-04260	7 - 12	900720-20029	4 - 36	C309-000070	5 - 32
123137-19830	7 - 25	93050-30080	5 - 10	C310-000010	6 - 3
123138-03930	7 - 23	A011-000540	1 - 24	C320-000180	5 - 1
123139-03930	7 - 24	A014-000040	1 - 1	C328-000120	5 - 9
123140-16130	7 - 34	A021-001660	2 - 8	C328-000121	5 - 9
123141-16131	7 - 35	A021-001660	7 -	C334-000110	5 - 5
123142-17330	7 - 36	A056-000220	5 - 17	C345-000282	5 - 4
123146-10631	7 - 20	A101-000210	1 - 9	C400-000550	4 - 1
123149-26030	7 - 27	A130-000910	1 - 3	C410-000460	4 - 28
123156-30830	7 - 10	A160-001080	2 - 16	C411-000001	4 - 25
130110-14530	4 - 19	A172-000841	3 - 17	C450-000360	4 - 22
130110-30830	4 - 13	A172-000842	3 - 17	C454-000170	4 - 20
131050-19830	1 - 31	A202-000080	1 - 4	C603-000220	5 - 46
131050-19830	4 - 35	A206-000010	1 - 5	C617-000360	4 - 9
131051-19830	1 - 29	A219-000000	2 - 20	E106-000020	1 - 27
131051-19830	4 - 33	A232-000471	2 - 14	P003-000010	7 - 15
131205-19831	4 - 12	A235-000190	2 - 15	P003-000560	7 - 31
131300-56430	4 - 42	A239-000060	1 - 23	P003-000610	7 - 29
132013-09820	4 - 11	A239-000070	2 - 17	P003-000620	7 - 28
132013-09820	5 - 25	A241-000170	4 - 27	P003-002280	7 - 30
132115-01461	1 - 37	A244-000080	2 - 12	P003-002290	7 - 26
132115-01461	4 - 14	A300-000770	2 - 6	P003-002300	7 - 8
150114-04920	4 - 31	A301-000030	2 - 2	P021-014290	6 - 8
156110-04920	3 - 6	A310-000100	2 - 5	P021-015132	1 - 15
175033-14731	5 - 14	A313-001040	2 - 4	P021-015161	3 - 18
177214-02830	3 - 20	A313-001041	2 - 4	P021-015190	1 - 8
177218-19830	3 - 14	A313-001050	2 - 3	P021-016020	2 - 9
177220-35430	3 - 24	A359-000000	4 - 41	P021-016030	1 - 28
177226-07060	3 - 22	A409-000360	3 - 10	P021-016040	4 - 32
177234-35430	3 - 12	A411-000450	3 - 8	P021-016370	2 - 28

Index

Patrs Number	Key No.	Patrs Number	Key No.	Patrs Number	Key No.
V100-000270	1 - 7	V804-000000	5 - 47		
V102-000060	1 - 19	V804-000030	2 - 1		
V104-000910	2 - 7	V805-000000	1 - 6		
V130-000030	4 - 26	V805-000000	1 - 26		
V131-000020	4 - 15	V805-000000	2 - 19		
V141-000090	1 - 36	V805-000000	3 - 9		
V186-000080	4 - 18	V805-000000	3 - 29		
V203-000110	5 - 31	V805-000000	4 - 5		
V205-000400	1 - 38	V805-000000	4 - 7		
V265-000110	5 - 41	V805-000000	5 - 2		
V307-000180	5 - 13	V805-000000	6 - 1		
V308-000040	1 - 13	V805-000010	1 - 20		
V311-000090	5 - 48	V805-000010	3 - 29		
V341-000130	5 - 45	V805-000010	4 - 3		
V341-000140	2 - 18	V805-000010	4 - 37		
V355-000270	5 - 35	V805-000020	1 - 21		
V356-000440	5 - 3	V805-000030	2 - 10		
V356-000470	1 - 39	V805-000130	3 - 19		
V358-000090	5 - 22	V805-000170	1 - 35		
V360-000060	1 - 25	V805-000210	2 - 21		
V376-000450	5 - 8	V805-000220	1 - 2		
V420-001790	1 - 22	V805-000230	4 - 40		
V450-000730	4 - 6	V806-000000	4 - 2		
V450-000740	5 - 11	V806-000000	4 - 45		
V450-000760	4 - 39	V835-000000	3 - 16		
V450-000770	4 - 43	V855-000000	2 - 27		
V451-000500	5 - 20	X502-000340	5 - 42		
V452-000260	4 - 23	X502-000460	3 - 28		
V452-000400	5 - 7	X503-009510	2 - 26		
V456-000080	4 - 4	X602-000080	6 - 6		
V456-000090	4 - 38	X605-000050	6 - 9		
V456-000101	4 - 44				
V470-000830	5 - 26				
V471-000600	4 - 10				
V475-004130	3 - 5				
V485-001090	3 - 7				
V485-001091	3 - 7				
V485-001100	4 - 30				
V508-000010	1 - 16				
V556-000000	1 - 12				
V580-000030	1 - 10				
V583-000130	5 - 12				
V592-000000	1 - 18				
V609-000010	1 - 11				
V651-000001	5 - 33				
V651-000011	5 - 34				
V652-000050	5 - 29				
V804-000000	4 - 46				
V804-000000	5 - 28				

YAMABIKO CORPORATION

7-2 SUEHIROCHO 1-CHOME, OHME, TOKYO 198-8760, JAPAN
PHONE: 81-428-32-6118. FAX: 81-428-32-6145.

ECHO[®]



10Hb
No. 65-115