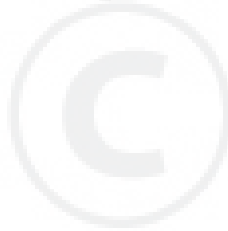




# **PARTS CATALOG**

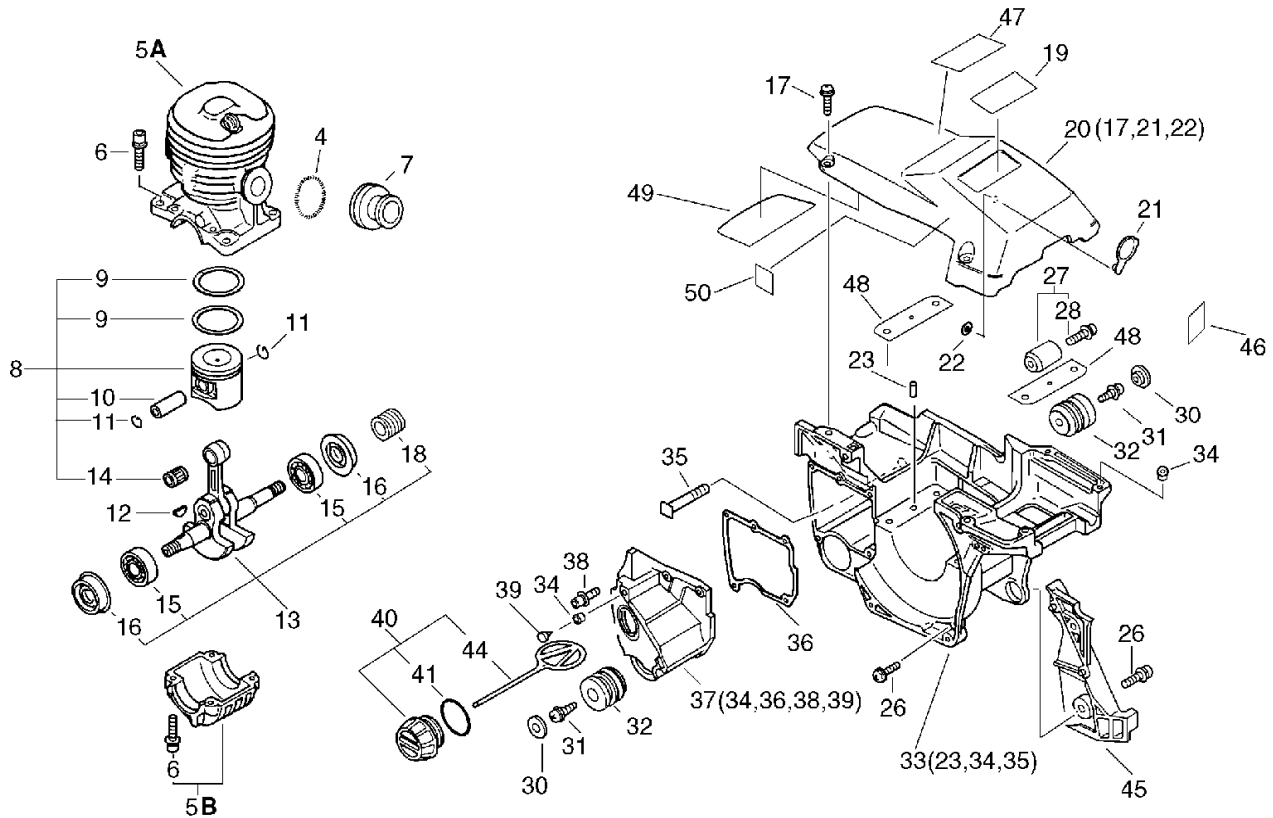
## **CHAIN SAW**

**CS-4400(6digits)(35)(36)**



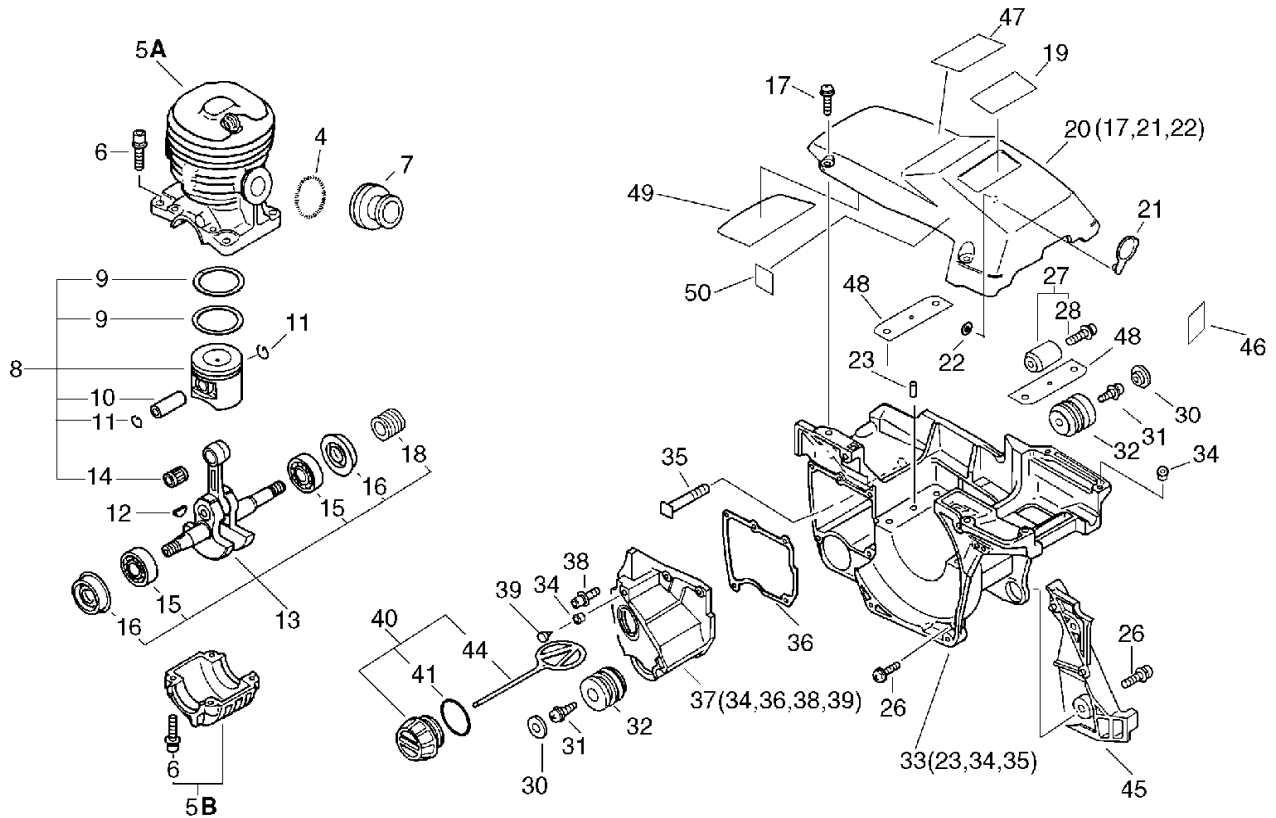
CS-4400(6digits)(35)(36)

1. Cylinder, Crankcase, Piston(Sr/Nr 36020670 and before)



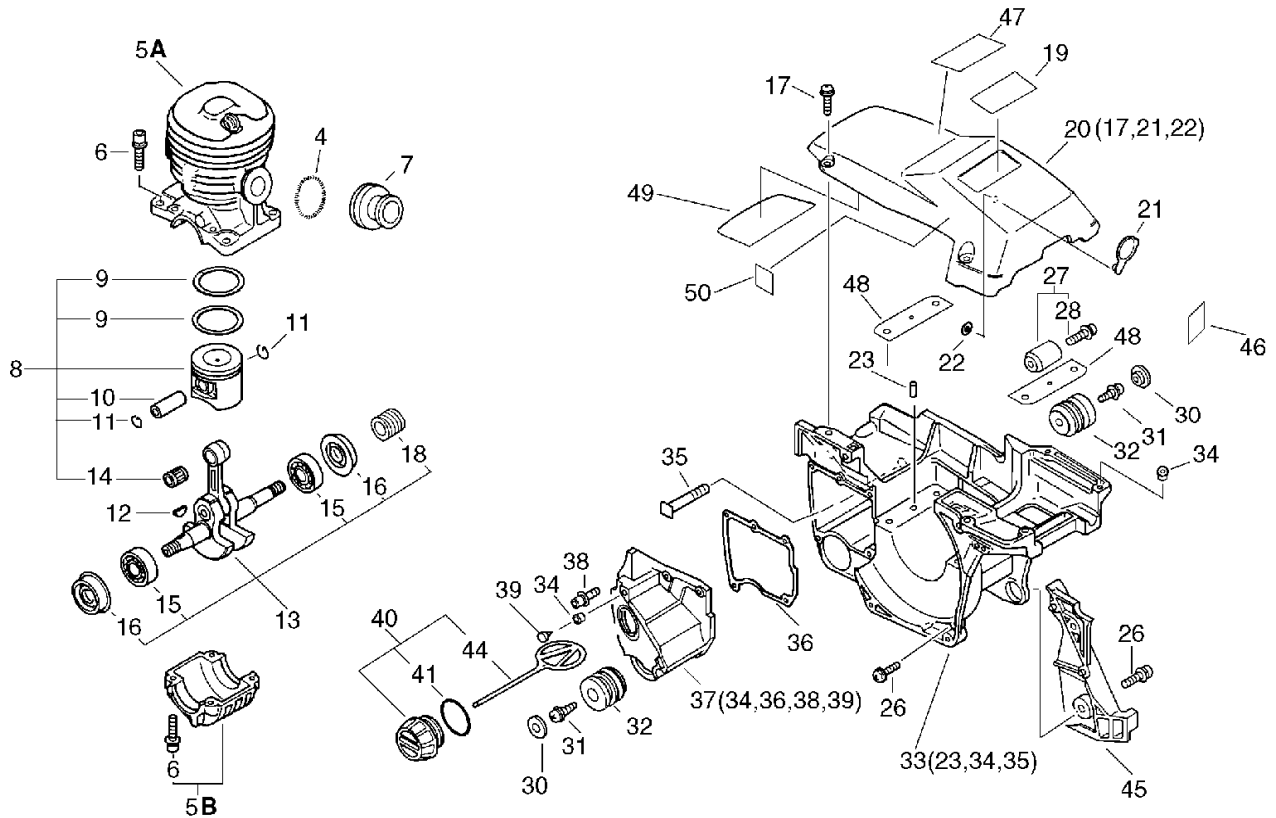
KEY	LV	PART NUMBER	Q'TY	DESCRIPTION	REMARKS	NOTE1	NOTE2
4		130516-35430	1	SPRING, TENSION			
5		100202-38930	1	CRANKCASE SET		Sus. by P021-004060	
5		100202-38931	1	CRANKCASE SET		Sus. by P021-004060	
5		P021-004060	1	CRANKCASE SET			
6	+	900162-05022	4	BOLT, H.S. 5*22	5*22 W,SW		
6		900162-05022	4	BOLT, H.S. 5*22	5*22 W,SW		
7		130510-38330	1	ADAPTER, INTAKE			
8		100000-38930	1	PISTON KIT		Sus. by 100000-38932	
8		100000-38931	1	PISTON KIT		Sus. by 100000-38932	
8		100000-38932	1	PISTON KIT			
9	+	100011-38930	2	RING, PISTON			
10	+	100013-35430	1	PIN, PISTON	6*9*27.8		
11	+	100015-03930	2	CIRCLIP, PISTON PIN		Sus. by 100015-03931	
11	+	100015-03931	2	CIRCLIP, PISTON PIN			
14	+	100012-35430	1	BEARING, NEEDLE	9*12*12		
12		100142-39130	1	KEY, WOODRUFF			
13		100101-38330	1	CRANKSHAFT ASSY		Sr/Nr 611990 and before	
13		P021-007290	1	CRANKSHAFT ASY		Sr/Nr 611991 and after	
15	+	900888-36201	2	BEARING, BALL 6201	6201		

1. Cylinder, Crankcase, Piston(Sr/Nr 36020670 and before)



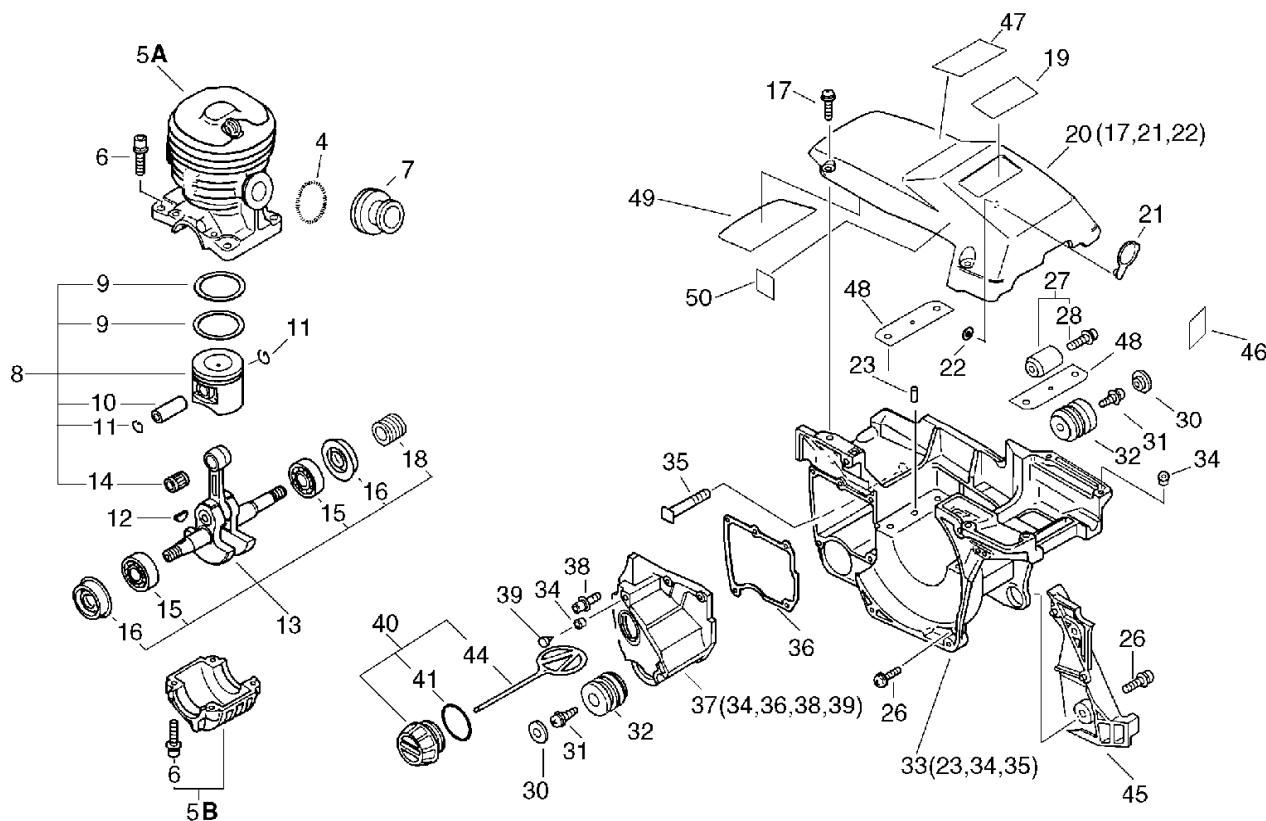
KEY	LV	PART NUMBER	Q'TY	DESCRIPTION	REMARKS	NOTE1	NOTE2
16	+	100213-38330	2	OILSEAL	15Z=12*35*6.4	Sr/Nr 611990 and before	
16	+	V505-000010	2	SEAL,OIL 12		Sr/Nr 611991 and after	
18	+	437063-38330	1	GEAR, WORM			
19		890611-39330	1	LABEL, MODEL		Sus. by 890611-39331	
19		890611-39331	1	LABEL, MODEL			
20		101501-38330	1	COVER, CYLINDER ASSY			
17	+	163890-38330	3	BOLT, 5			
21	+	101579-38330	1	PLATE, WIND PROOF			
22	+	900580-00004	1	PUSH, RING			
24		433014-19830	1	TENSIONER		Sr/Nr 517300 and before	
25		433016-38330	1	SCREW, TENSIONER		Sr/Nr 517300 and before	
26		900238-05016	3	SCREW 5*16	5*16		
27		433000-19831	1	CATCHER KIT, CHAIN			
28	+	900220-05018	1	SCREW 5*18	5*18		
30		100918-38330	2	CAP, CUSHION			
31		100915-33930	2	SCREW			
32		100921-38330	2	CUSHION			
33		104005-38330	1	COVER, ENGINE		Sus. by P021-003110	
33		104005-38331	1	COVER, ENGINE		Sus. by P021-003110	

1. Cylinder, Crankcase, Piston(Sr/Nr 36020670 and before)



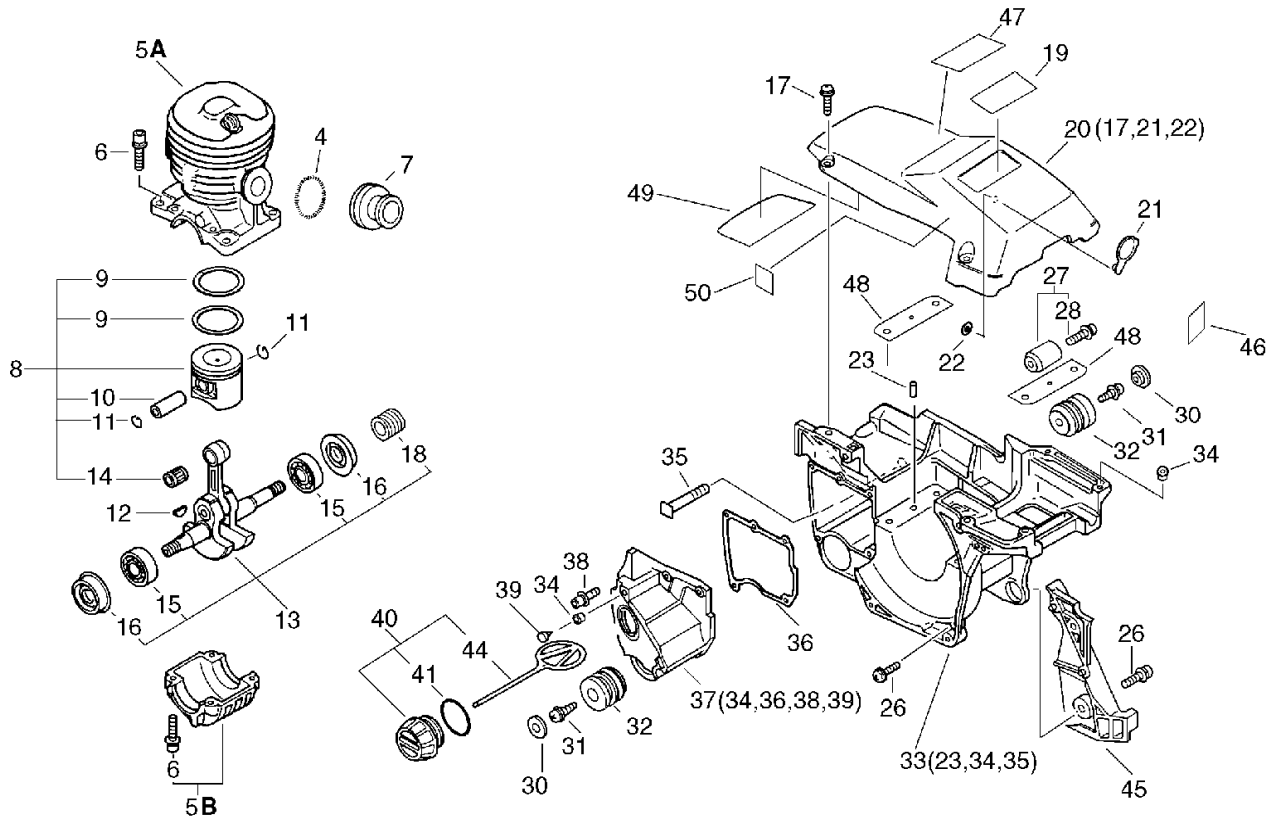
KEY	LV	PART NUMBER	Q'TY	DESCRIPTION	REMARKS	NOTE1	NOTE2
33		104005-38332	1	COVER, ENGINE		Sus. by P021-003110	
33		104005-38333	1	COVER, ENGINE		Sus. by P021-003110	
33		104005-38334	1	COVER, ENGINE		Sus. by P021-003110	
33		P021-003110	1	COVER, ENGINE			
23	+	100215-03930	2	PIN, DOWEL			
34	+	436018-38330	2	PIN, DOWEL			
35	+	433011-19830	2	STUD, GUIDE BAR			
37		436005-38330	1	TANK, OIL (BS)		Sus. by 436005-38332	
37		436005-38331	1	TANK, OIL		Sus. by 436005-38332	
37		436005-38332	1	TANK, OIL (BS)			
34	+	436018-38330	1	PIN, DOWEL			
36	+	436019-38330	1	GASKET, OIL TANK			
38	+	900162-04016	3	BOLT, H.S. 4*16	4*16 W,SW		
39	+	436114-13930	1	VALVE, CHECK			
40		436001-37933	1	CAP ASSY, OIL TANK		Sr/Nr 502750 and before	
40		436001-39231	1	CAP ASSY, TANK		Sus. by 436001-39232	
40		436001-39232	1	CAP, OIL		Sr/Nr 502751 and after	

# 1. Cylinder, Crankcase, Piston(Sr/Nr 36020670 and before)



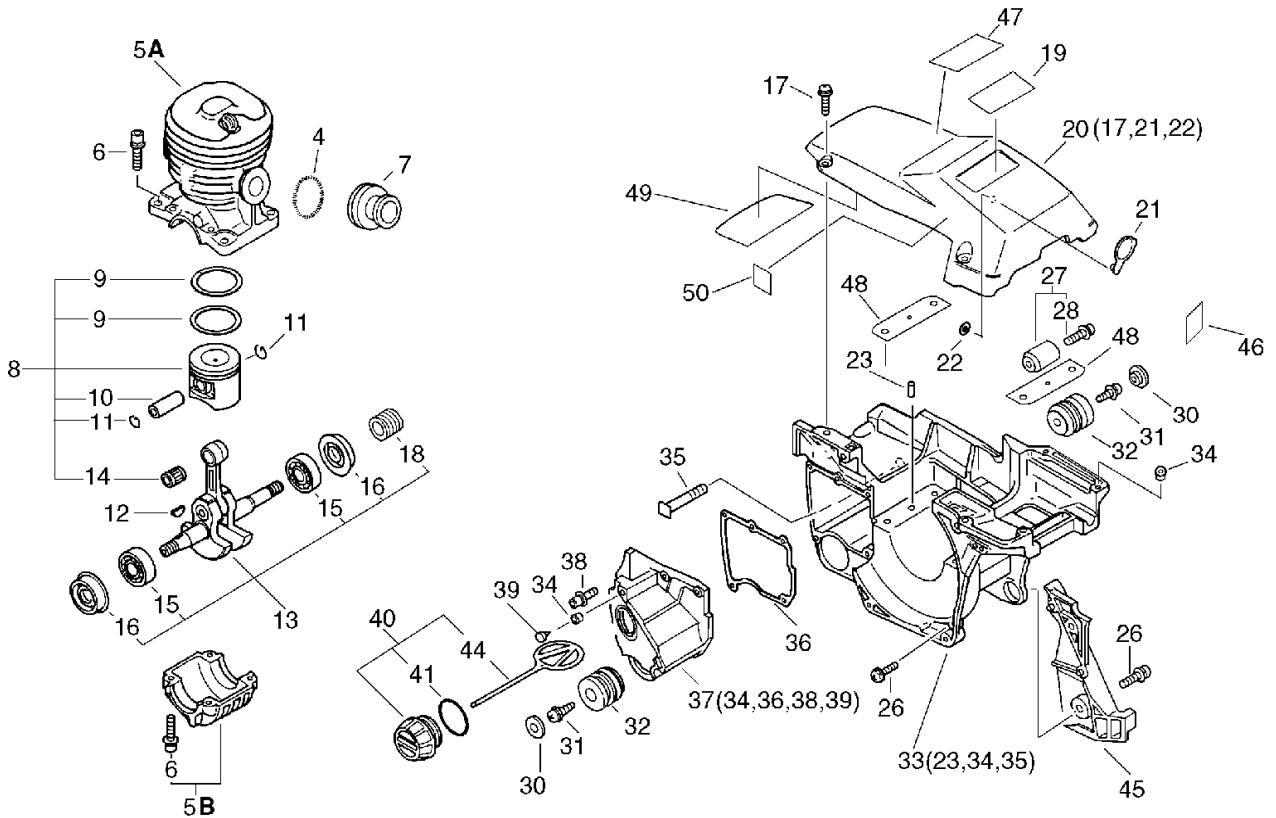
KEY	LV	PART NUMBER	Q'TY	DESCRIPTION	REMARKS	NOTE1	NOTE2
41	+	900725-02025	1	O-RING	JASO 2025	Sus. by 900721-00025	
41	+	900721-00025	1	O-RING 25	G-25		
42	+	131050-19830	1	RETAINER, LINK		Sr/Nr 502750 and before	
43	+	900246-03008	1	SCREW 3*8	3*8	Sr/Nr 502750 and before	
44	+	131051-19830	1	LINK	60L	Sus. by A365-000050	
44	+	A365-000050	1	CONNECTOR,CAP			
45		433045-38330	1	PLUG		Sus. by 433045-38332	
45		433045-38331	1	COVER		Sus. by 433045-38332	
45		433045-38332	1	COVER			
46		890157-39130	1	LABEL, SWITCH			
47		890345-39230	1	LABEL,CAUTION			
48		V150-001740	2	PLATE,EYE		Sr/Nr 36012281 and after	

2. Cylinder, Crankcase, Piston(Sr/Nr 36020671 and after)



KEY	LV	PART NUMBER	Q'TY	DESCRIPTION	REMARKS	NOTE1	NOTE2
4		130516-35430	1	SPRING, TENSION			
5		P021-004060	1	CRANKCASE SET			
6	+	900162-05022	4	BOLT, H.S. 5*22	5*22 W,SW		
6		900162-05022	4	BOLT, H.S. 5*22	5*22 W,SW		
7		130510-38330	1	ADAPTER, INTAKE			
8		100000-38932	1	PISTON KIT			
9	+	100011-38930	2	RING, PISTON			
10	+	100013-35430	1	PIN, PISTON	6*9*27.8		
11	+	100015-03931	2	CIRCLIP, PISTON PIN			
14	+	100012-35430	1	BEARING, NEEDLE	9*12*12		
12		100142-39130	1	KEY, WOODRUFF			
13		P021-007290	1	CRANKSHAFT ASY			
15	+	900888-36201	2	BEARING, BALL 6201	6201		
16	+	V505-000010	2	SEAL,OIL 12			
18	+	437063-38330	1	GEAR, WORM			
19		890611-39331	1	LABEL, MODEL			
20		P021-006830	1	COVER, CYLINDER ASY			
17	+	163890-38330	3	BOLT, 5			
21	+	101579-38330	1	PLATE, WIND PROOF			
22	+	900580-00004	1	PUSH, RING			
26		900238-05016	3	SCREW 5*16	5*16		
27		433000-19831	1	CATCHER KIT, CHAIN			
28	+	900220-05018	1	SCREW 5*18	5*18		
30		100918-38330	2	CAP, CUSHION			
31		100915-33930	2	SCREW			
32		100921-38330	2	CUSHION			

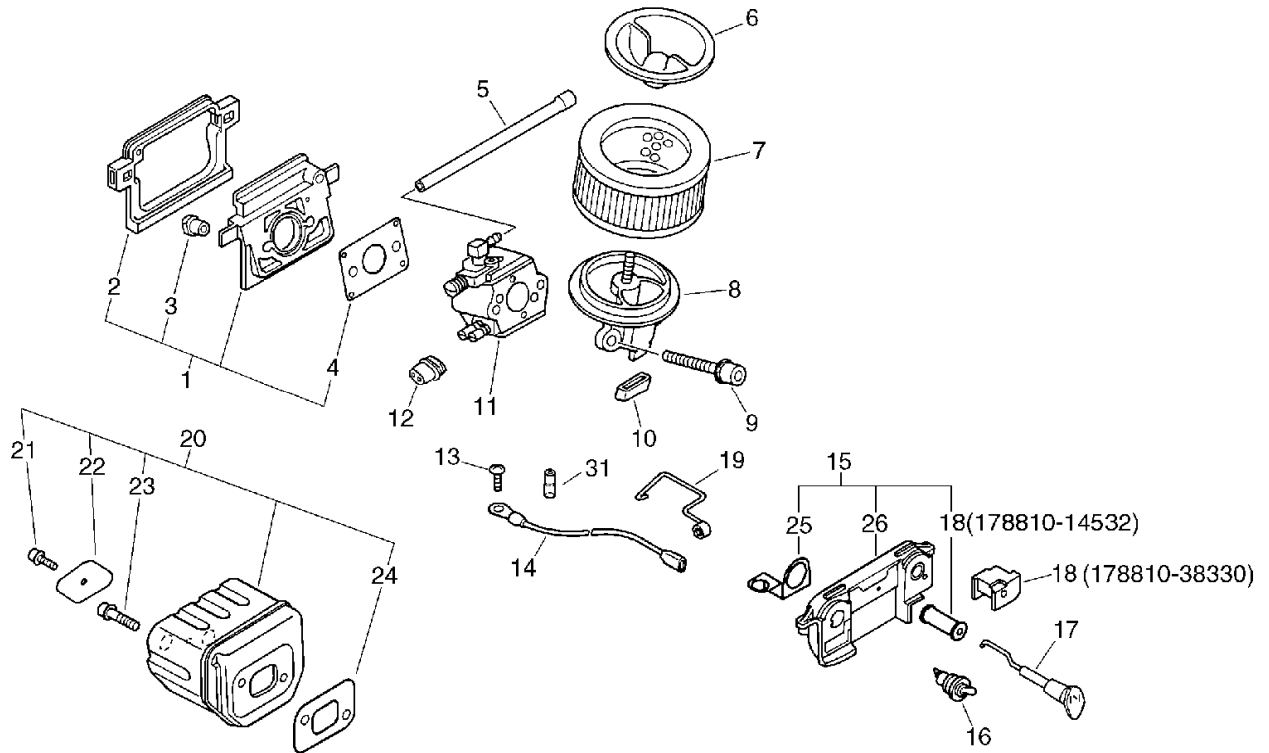
2. Cylinder, Crankcase, Piston(Sr/Nr 36020671 and after)



KEY	LV	PART NUMBER	Q'TY	DESCRIPTION	REMARKS	NOTE1	NOTE2
33		P021-003110	1	COVER, ENGINE			
23	+	100215-03930	2	PIN, DOWEL			
34	+	436018-38330	2	PIN, DOWEL			
35	+	433011-19830	2	STUD, GUIDE BAR			
37		436005-38332	1	TANK, OIL (BS)			
34	+	436018-38330	1	PIN, DOWEL			
36	+	436019-38330	1	GASKET, OIL TANK			
38	+	900162-04016	3	BOLT, H.S. 4*16	4*16 W,SW		
39	+	436114-13930	1	VALVE, CHECK			
40		436001-39232	1	CAP, OIL			
41	+	900721-00025	1	O-RING 25	G-25		
44	+	A365-000050	1	CONNECTOR,CAP			
45		433045-38332	1	COVER			
46		890157-39130	1	LABEL, SWITCH			
47		890345-39230	1	LABEL, CAUTION			
48		V150-001740	2	PLATE,EYE			
49		V341-000090	1	WASHER,SQUARE			
50		X505-000180	1	LABEL, CAUTION			



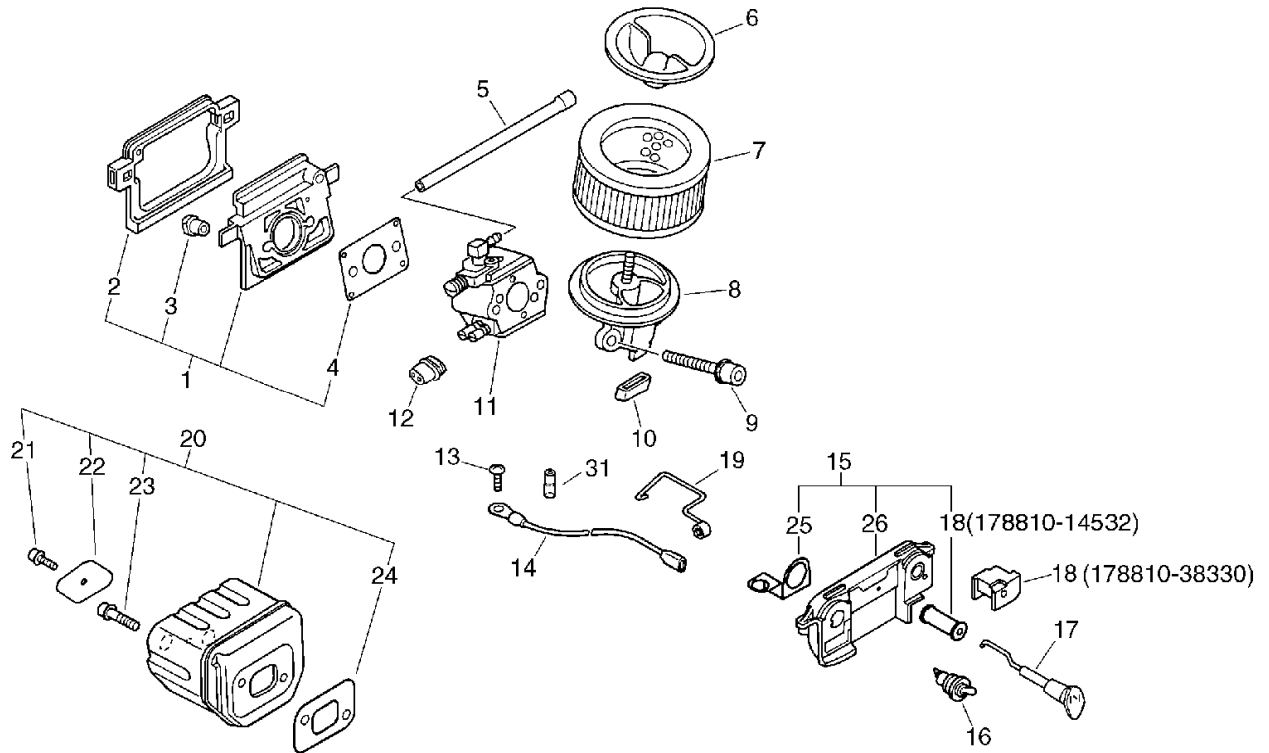
### 3. Air Cleaner, Muffler



KEY	LV	PART NUMBER	Q'TY	DESCRIPTION	REMARKS	NOTE1	NOTE2
1		130000-38330	1	INSULATOR KIT		Sus. by 130000-38331	
1		130000-38331	1	INSULATOR ASY,INTAKE			
2	+	130366-38330	1	CUSHION		Sus. by V420-001130	
2	+	V420-001130	1	CUSHION			
3	+	130020-33330	2	NUT			
4	+	130010-38330	1	GASKET, INTAKE			
5		130110-38330	1	PIPE, IMPULSE	3*5*110		
6		130405-38331	1	BRACKET, AIR CLEANER		Sus. by 130405-38332	
7		130310-38330	1	FILTER, AIR		Sus. by 130310-38331	
7		130310-38331	1	FILTER, AIR			
8		130301-38331	1	ELBOW, CARBURETOR		Sus. by 130301-38332	
8		130301-38332	1	ELBOW, CARBURETOR			
9		900162-05050	2	BOLT, H.S. 5*50	5*50 W,SW		
10		130430-38330	1	CUSHION			
11		123000-38331	1	CARBURETOR ASSY	WT-201A	Sus. by 123000-38332	
11		123000-38332	1	CARBURETOR ASSY	WT-201B	Sr/Nr 613855 and before	
11		123000-39333	1	CARBURETOR WT-416C	WT-416C	Sr/Nr 36001001 and after	

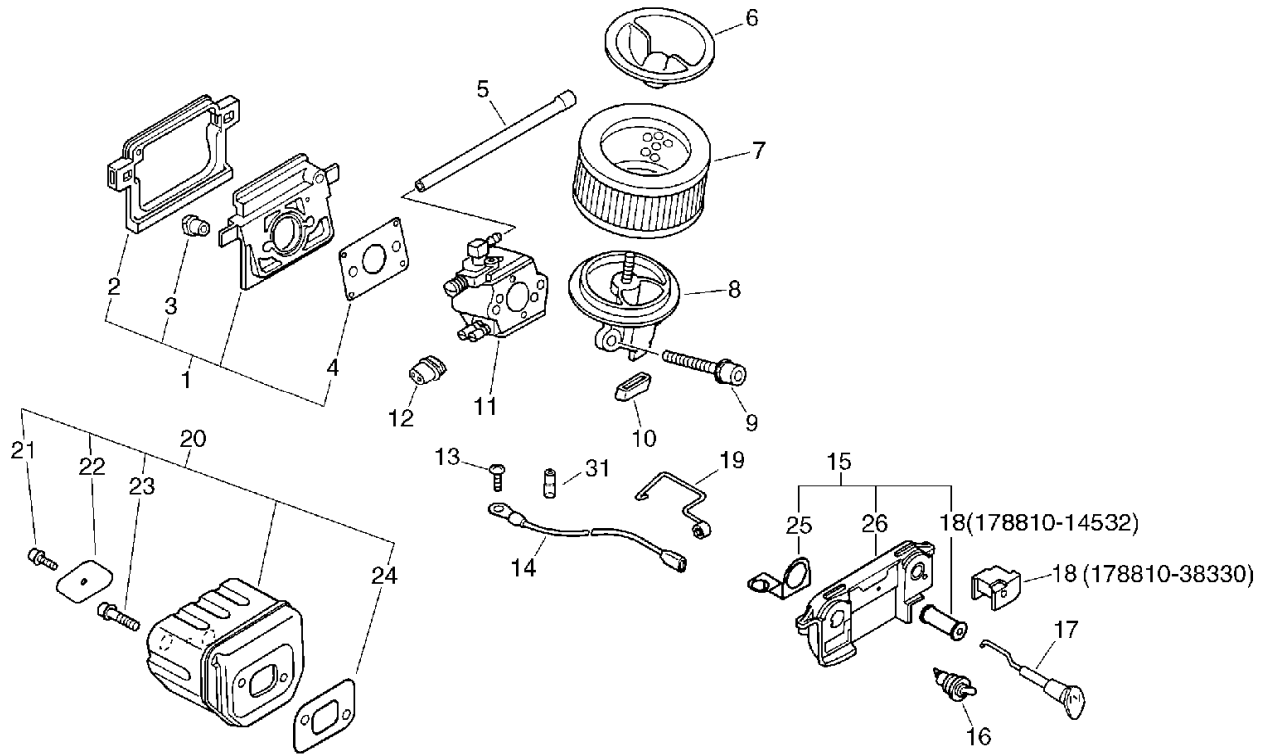


3. Air Cleaner, Muffler



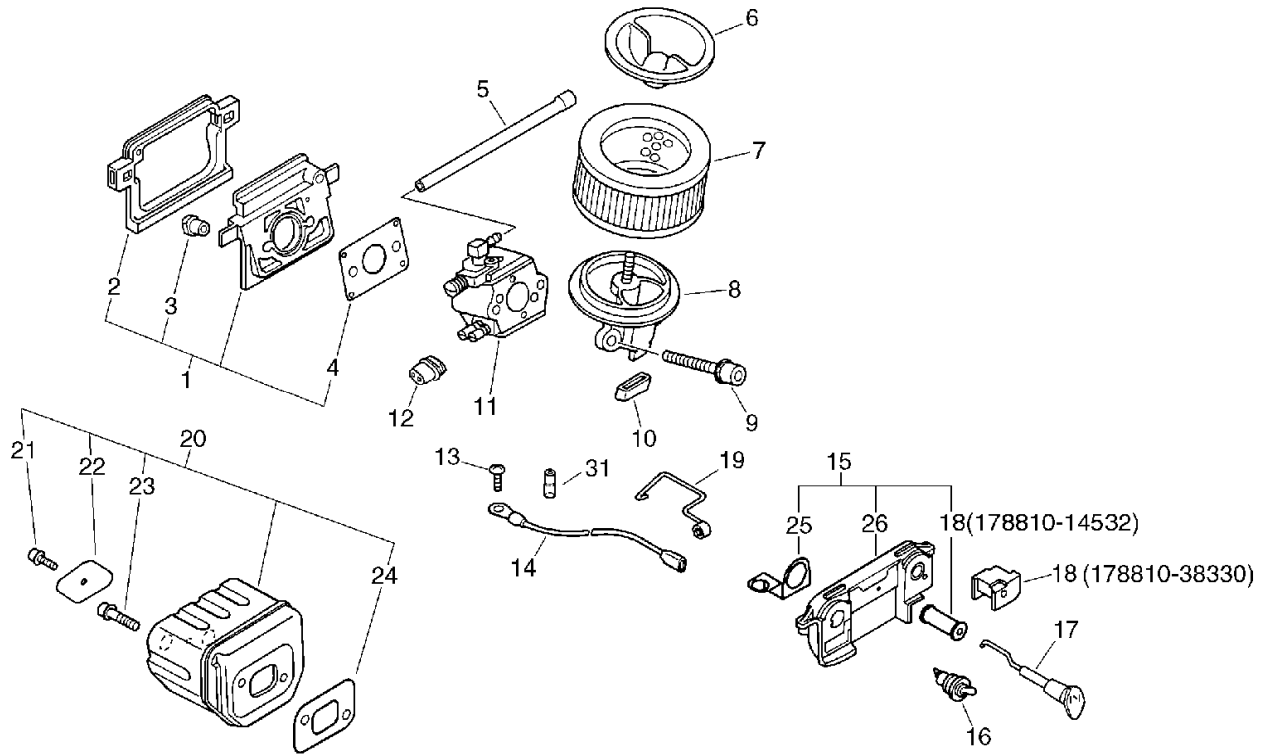
KEY	LV	PART NUMBER	Q'TY	DESCRIPTION	REMARKS	NOTE1	NOTE2
12		129010-33330	1	GROMMET			Sr/Nr 613855 and before
13		900220-04006	1	SCREW 4*6	4*6		
14		162010-38330	1	LEAD, GROUND			Sus. by 162010-38332
14		162010-38331	1	LEAD, GROUND			Sus. by 162010-38332
14		162010-38332	1	LEAD, GROUND			
15		163810-38330	1	BRACKET, SWITCH			Sus. by 163804-38935
15		163804-38930	1	BRACKET, SWITCH			Sus. by 163804-38935
15		163804-38931	1	BRACKET, SWITCH			Sus. by 163804-38935
15		163804-38932	1	BRACKET, SWITCH			Sus. by 163804-38935
15		163804-38935	1	BRACKET, SWITCH			
18	+	178810-14531	1	GROMMET, CHOKE			Sus. by 178810-14534
18	+	178810-14532	1	GROMMET			Sus. by 178810-14534
18	+	178810-14533	1	GROMMET			Sus. by 178810-14534
18	+	178810-14534	1	GROMMET			Sr/Nr 504117 and after

3. Air Cleaner, Muffler



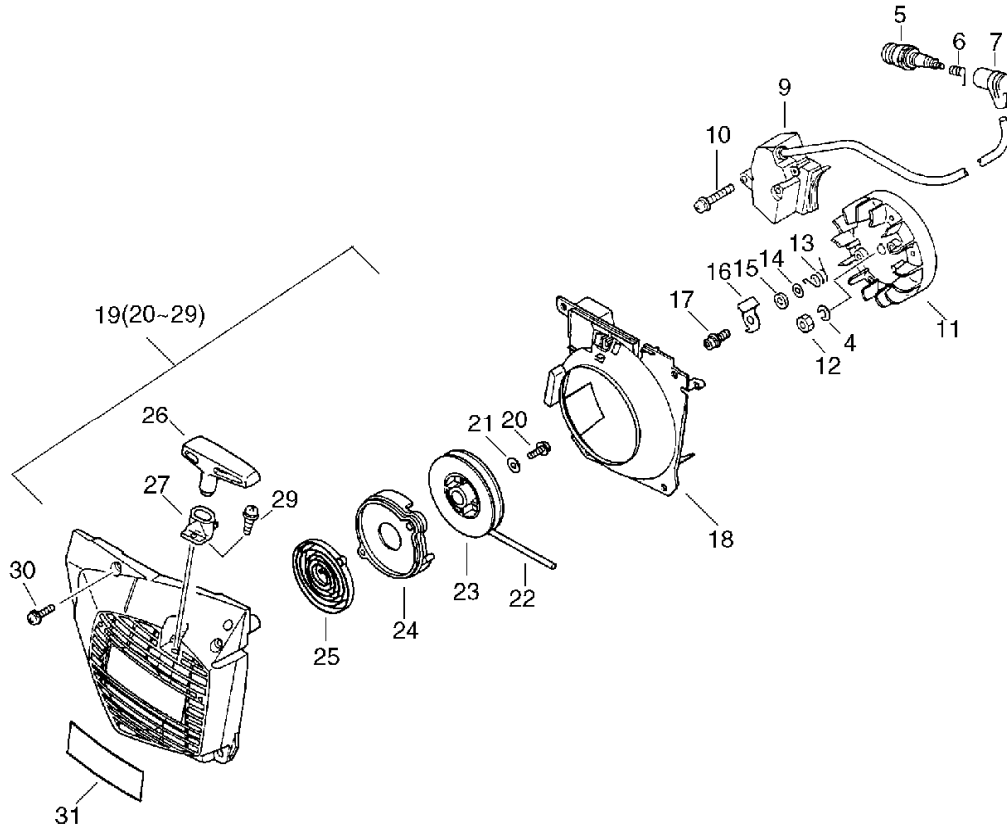
KEY	LV	PART NUMBER	Q'TY	DESCRIPTION	REMARKS	NOTE1	NOTE2
25	+	163413-38930	1	PLATE, SWITCH		Sr/Nr 504117 and after	
26	+	163810-38931	1	BRACKET, SWITCH		Sus. by 163810-38933	
26	+	163810-38932	1	BRACKET, SWITCH		Sus. by 163810-38933	
26	+	163810-38933	1	BRACKET, SWITCH		Sr/Nr 504117 and after	
16		163400-38330	1	SWITCH, IGNITION			
17		178510-38330	1	ROD, CHOKE		Sus. by A241-000100	
17		178510-38331	1	ROD, CHOKE		Sus. by A241-000100	
17		A241-000100	1	KNOB, CHOKE			
18		178810-38330	1	GROMMET, CHOKE		Sr/Nr 504116 and before	
19		178011-38331	1	ROD, THROTTLE			
20		145600-38330	1	MUFFLER ASSY		Sus. by P021-008610	
20		145600-38331	1	MUFFLER ASY		Sus. by P021-008610	
20		145600-38332	1	MUFFLER ASY		Sus. by P021-008610	
20		145600-38333	1	MUFFLER ASY		Sus. by P021-008610	
20		P021-008610	1	MUFFLER ASY			

### 3. Air Cleaner, Muffler



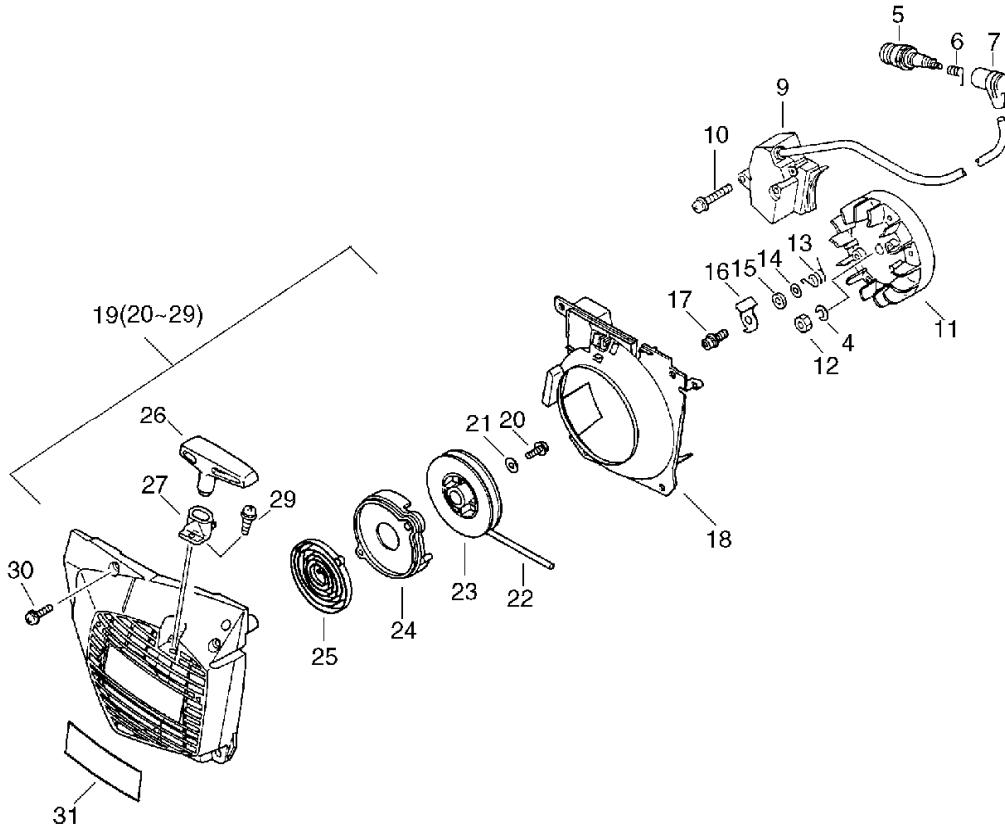
KEY	LV	PART NUMBER	Q'TY	DESCRIPTION	REMARKS	NOTE1	NOTE2
21	+	900105-04006	1	BOLT, H.S. 4*6	4*6		
22	+	145711-35430	1	PLATE (BL)		Sus. by 145711-60631	
22	+	145711-60631	1	STAY, MUFFLER			
23	+	900105-05014	2	BOLT, H.S. 5*14	5*14		
24	+	145510-35431	1	GASKET, MUFFLER			
31		C483-000000	1	BOOT,CONNECTOR			

### 4. Starter, Magneto



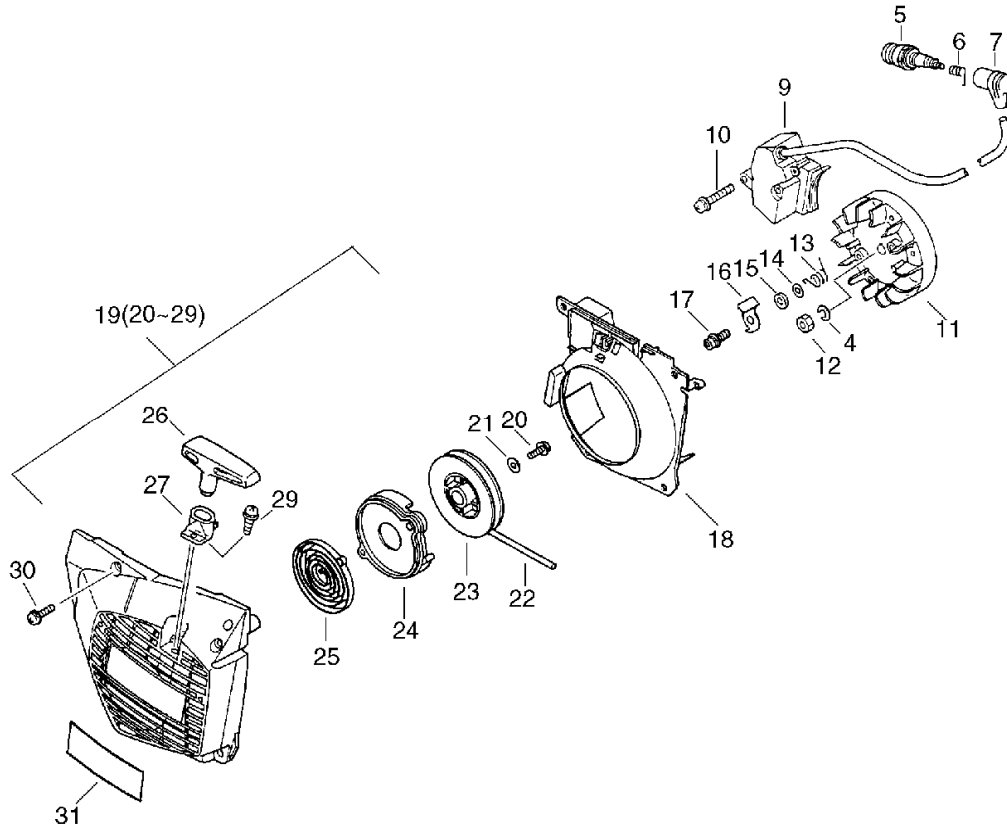
KEY	LV	PART NUMBER	Q'TY	DESCRIPTION	REMARKS	NOTE1	NOTE2
4		900605-00008	1	WASHER, SPRING 8	8		
5		159017-31730	1	PLUG, SPARK RCJ-6Y	RCJ-6Y		
6		159011-03432	1	COIL, SPARK PLUG			
7		159012-01620	1	CAP, SPARK PLUG			
9		156626-38330	1	COIL, IGNITION		Sus. by 156626-38332	
9		156626-38331	1	COIL, IGNITION		Sus. by 156626-38332	
9		156626-38332	1	COIL, IGNITION		Sr/Nr 601000 and before	
9		A411-000030	1	COIL,IGNITION		Sus. by A411-000031	
9		A411-000031	1	COIL,IGNITION		Sr/Nr 601001 and after	
10		900162-04030	2	BOLT, H.S. 4*30	4*30 W.SW		
11		156800-38930	1	ROTOR, MAGNETO		Sus. by 156800-38931	
11		156800-38931	1	ROTOR, MAGNETO		Sr/Nr 601000 and before	
11		A409-000080	1	ROTOR,MAGNETO		Sr/Nr 601001 and after	
12		900500-00008	1	NUT 8	8*P1.25		
13		177234-35430	2	SPRING, RETURN			
14		900603-00005	2	WASHER 5	5.5*12*0.8		
15		177247-04630	2	SPACER, RATCHET	5.2*8*2.1		
16		177218-19830	2	PAWL, STARTER			

4. Starter, Magneto



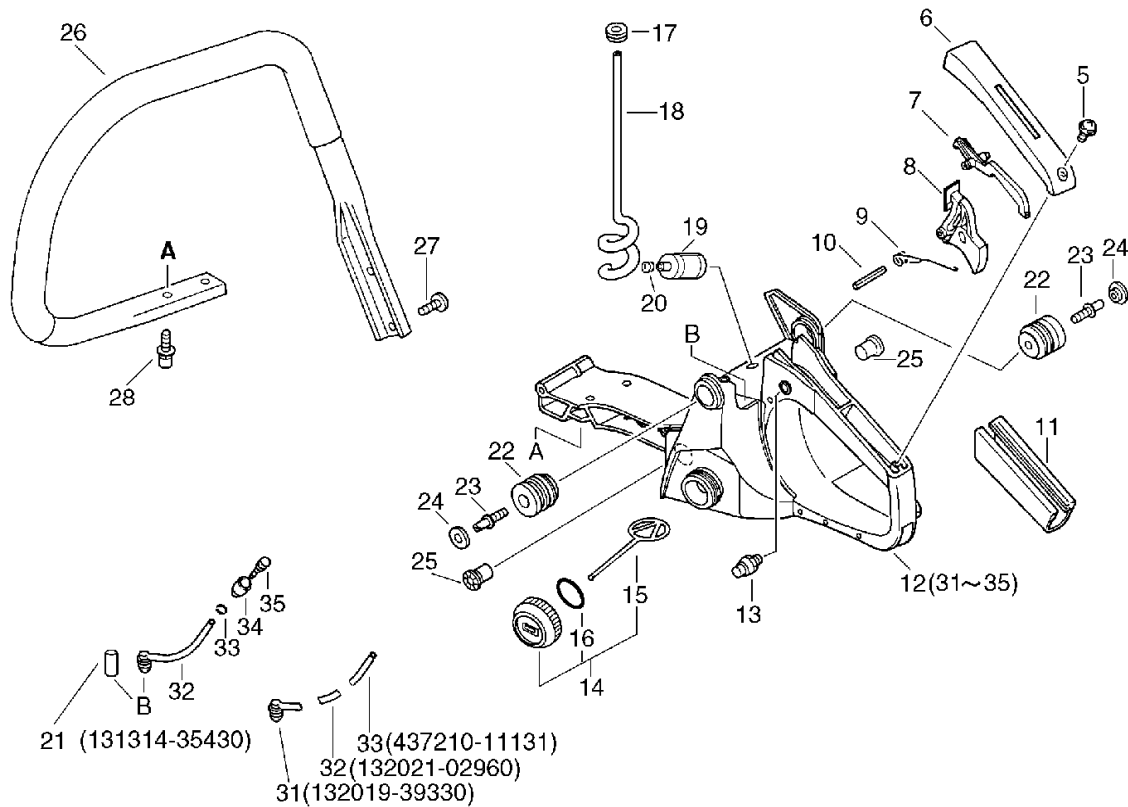
KEY	LV	PART NUMBER	Q'TY	DESCRIPTION	REMARKS	NOTE1	NOTE2
17		900162-05014	2	BOLT, H.S. 5*14	5*14 W,SW	Sus. by V203-000090	
17		V203-000090	2	BOLT,5	M5*14		
18		101535-38930	1	COVER, FAN		Sr/Nr 601000 and before	
18		A172-000060	1	COVER,FAN		Sus. by A172-000062	
18		A172-000061	1	COVER,FAN		Sus. by A172-000062	
18		A172-000062	1	COVER,FAN		Sr/Nr 601001 and after	
19		177200-38931	1	STARTER,ASSY		Sus. by 177200-38335	
19		177200-38332	1	STARTER ASY		Sus. by 177200-38335	
19		177200-38333	1	STARTER ASY		Sus. by 177200-38335	
19		177200-38334	1	STARTER ASY		Sus. by 177200-38335	
19		177200-38335	1	STARTER ASY			
20	+	900238-05012	1	SCREW 5*12	5*12		
21	+	177214-02830	1	WASHER	5.2*16*1.0T		
22	+	177226-38330	1	ROPE, STARTER	3.5*1000		
23	+	177215-38330	1	DRUM, STARTER			
24	+	177221-38330	1	PLATE, STARTER			
25	+	177220-35430	1	SPRING, REWIND			

### 4. Starter, Magneto



KEY	LV	PART NUMBER	Q'TY	DESCRIPTION	REMARKS	NOTE1	NOTE2
26	+	177228-35430	1	GRIP, STARTER (BL)			
27	+	177227-37930	1	GUIDE, ROPE			
29	+	900296-03014	1	SCREW 3*14	3*14 SUS		
30		900238-05018	4	SCREW 5*18	5*18		
31		X502-000010	1	LABEL,ECHO			

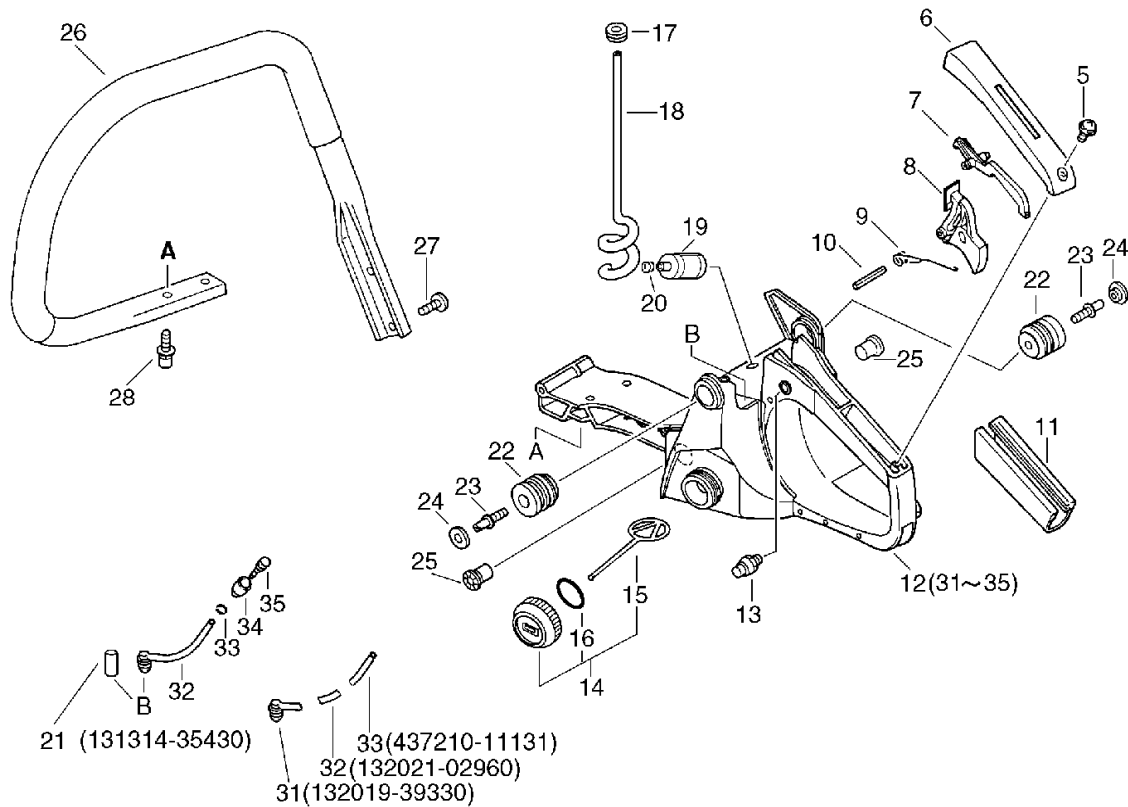
5. Handle



KEY	LV	PART NUMBER	Q'TY	DESCRIPTION	REMARKS	NOTE1	NOTE2
5		900253-04014	1	SCREW 4*14	4*14		
6		351155-35430	1	COVER, HANDLE (BL)			
7		178090-37930	1	LOCKOUT, T. CONTROL			
8		178010-38330	1	TRIGGER, THROTTLE		Sus. by C450-000000	
8		178010-38331	1	TRIGGER, THROTTLE		Sus. by C450-000000	
8		C450-000000	1	TRIGGER, THROTTLE			
9		178043-35430	1	SPRING, THR.RETURN			
10		900345-40030	1	PIN, SPRING 4*30SUS	4*30SUS		
11		351111-19830	1	GRIP, HANDLE			
12		351103-38330	1	HANDLE, REAR		Sus. by 351101-38332	
12		351101-38330	1	HANDLE ASSY, REAR		Sus. by 351101-38332	
12		351101-38331	1	HANDLE ASSY, REAR		Sus. by 351101-38332	
12		351101-38332	1	HANDLE ASY, REAR			
31	+	132019-39330	1	GROMMET, FUEL		Sr/Nr 501670 and before	
32	+	132021-02960	1	CONNECTOR, PIPE		Sr/Nr 501670 and before	
32	+	132012-39330	1	PIPE, W/GROMMET	L105 NBR	Sus. by 132012-39331	
33	+	437210-11131	1	PIPE 3*5*90 NBR	3*5*90 NBR	Sr/Nr 501670 and before	

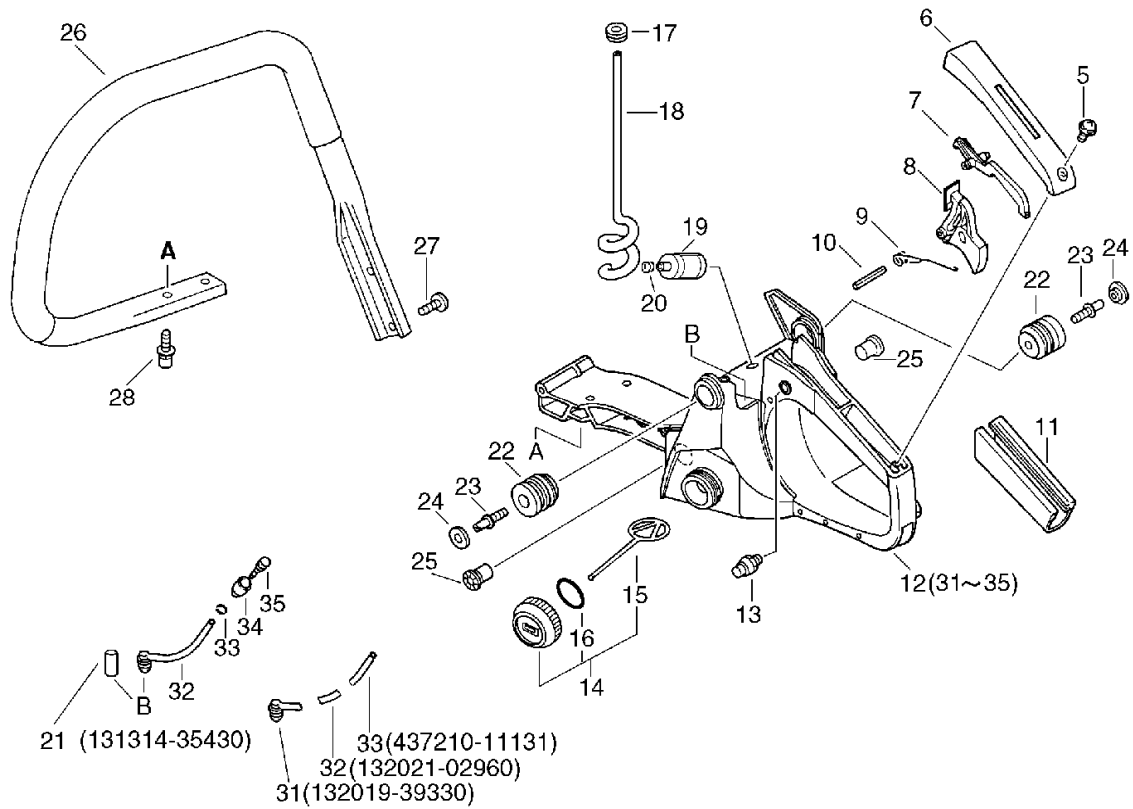


5. Handle



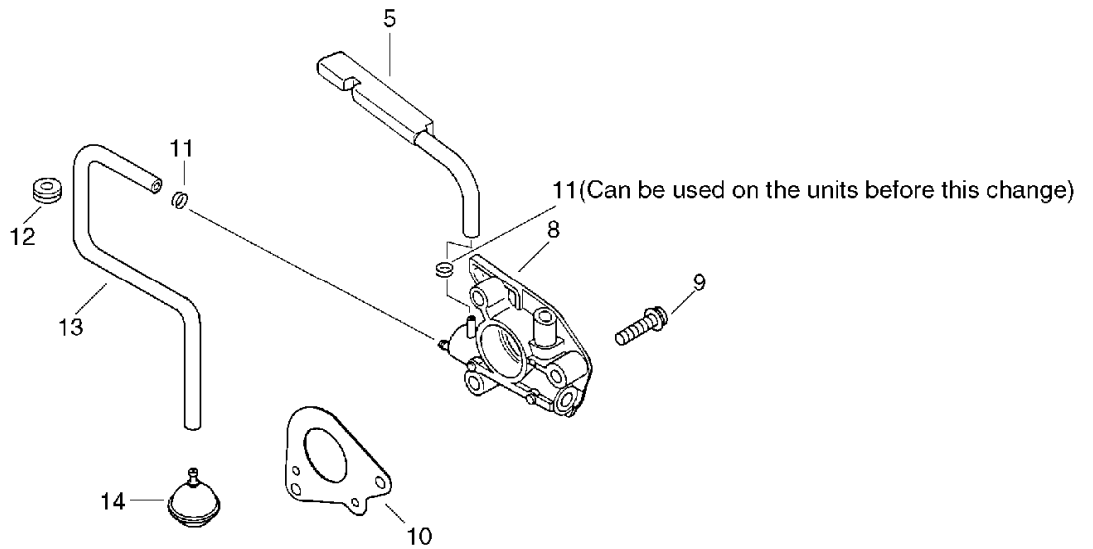
KEY	LV	PART NUMBER	Q'TY	DESCRIPTION	REMARKS	NOTE1	NOTE2
33	+	132013-26630	1	CLIP	6.5MM	Sr/Nr 501671 and after	
34	+	131328-40630	1	COVER, VENT			
35	+	131300-40630	1	VALVE, CHECK		Sus. by 131300-56430	
35	+	131300-56430	1	VALVE, CHECK			
13		178302-12330	1	LATCH, THROTTLE			
14		131004-37931	1	CAP ASSY, FUEL TANK		Sus. by 131004-37932	
14		131004-37932	1	CAP ASY, FUEL			
15	+	131051-19830	1	LINK	60L	Sus. by A365-000050	
15	+	A365-000050	1	CONNECTOR,CAP			
16	+	900720-00022	1	O-RING 22	P-22		
17		132115-04920	1	GROMMET			
18		132010-38330	1	PIPE, FUEL	3*6	Sus. by 132010-38331	
18		132010-38331	1	PIPE	3*6*165		
19		131205-30830	1	STRAINER, FUEL		Sus. by 131205-19830	
19		131205-19830	1	STRAINER, FUEL			
20		132013-26630	1	CLIP	6.5MM		
21		131314-35430	1	VALVE, CHECK		Sr/Nr 005470 and before	
22		100921-38330	2	CUSHION			
23		100915-32530	2	BOLT			

5. Handle



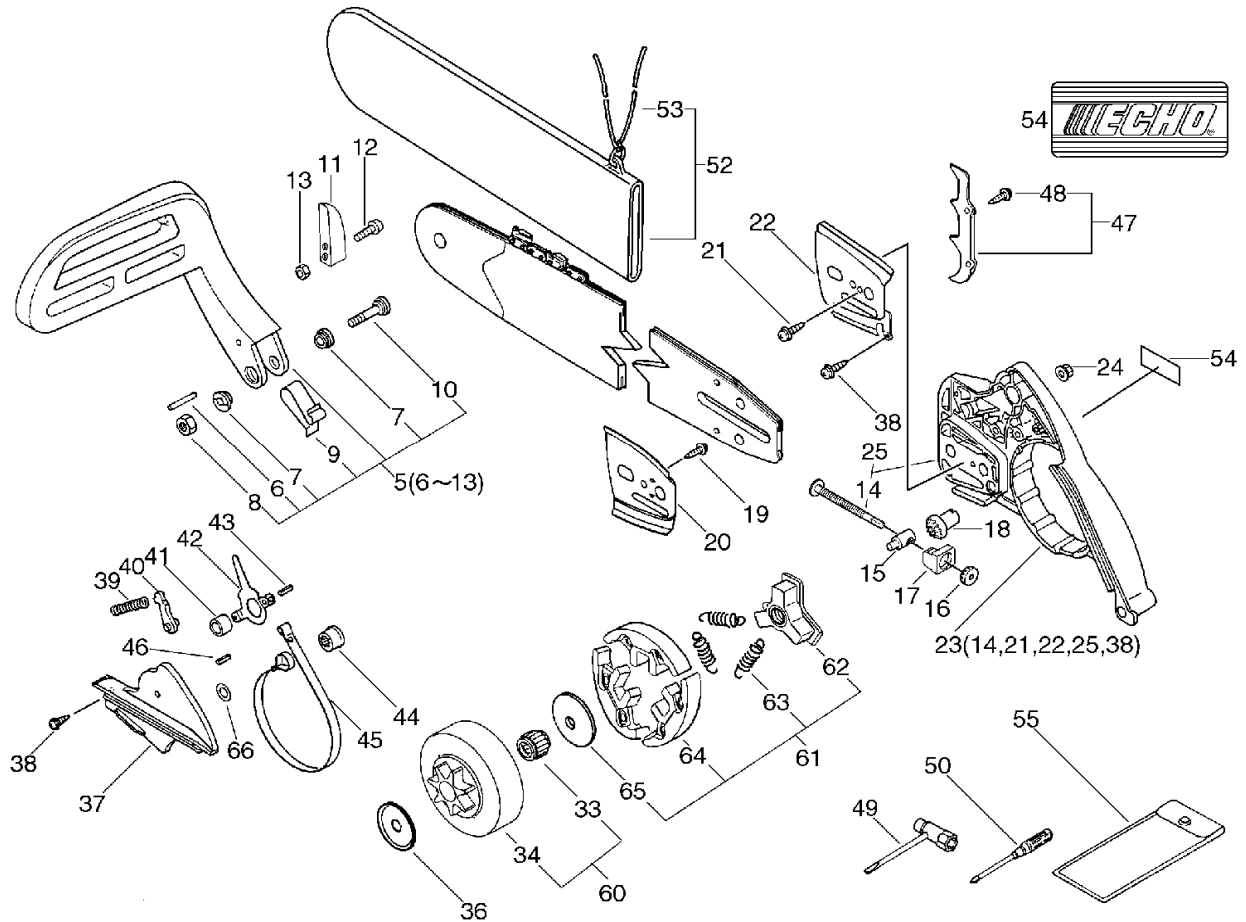
KEY	LV	PART NUMBER	Q'TY	DESCRIPTION	REMARKS	NOTE1	NOTE2
24		100918-38330	2	CAP, CUSHION			
25		100910-38330	2	CUSHION			
26		351606-38330	1	HANDLE, FRONT			
27		900268-05020	2	SCREW 5*20	5*20	Sus. by 91145-05020	
27		91145-05020	2	BOLT HS TAPPING	5*20		
28		900253-05016	2	SCREW	5*16	Sus. by 91145-05016	
28		91145-05016	2	BOLT HS TAPPING	5*16		

6. Auto-Oiler



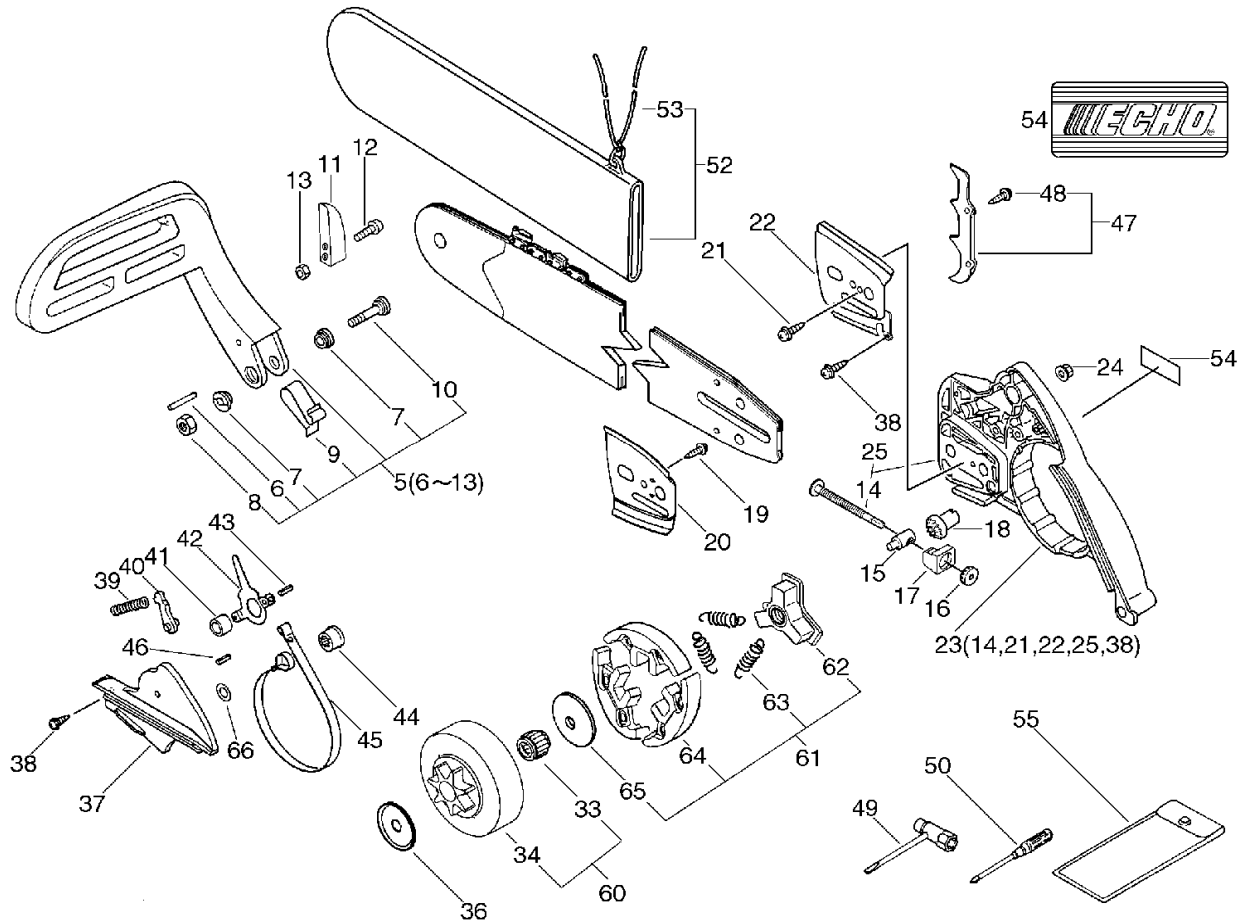
KEY	LV	PART NUMBER	Q'TY	DESCRIPTION	REMARKS	NOTE1	NOTE2
5		437229-38331	1	PIPE			
8		437002-38330	1	AUTO-OILER ASSY			
9		900238-04016	2	SCREW 4*16	4*16	Sus. by 900223-04016	
9		900223-04016	2	SCREW	4*16		
10		175310-38330	1	PLATE, SEAL			
11		132013-26630	2	CLIP	6.5MM	Sus. by 132013-26630 Q'TY:1	
11		132013-26630	1	CLIP	6.5MM		
12		132115-12330	1	GROMMET			
13		437210-38330	1	PIPE, OIL			
14		436205-14730	1	STRAINER, OIL			

7. Clutch, Sprocket, Tools(Sr/Nr 36020670 and before)



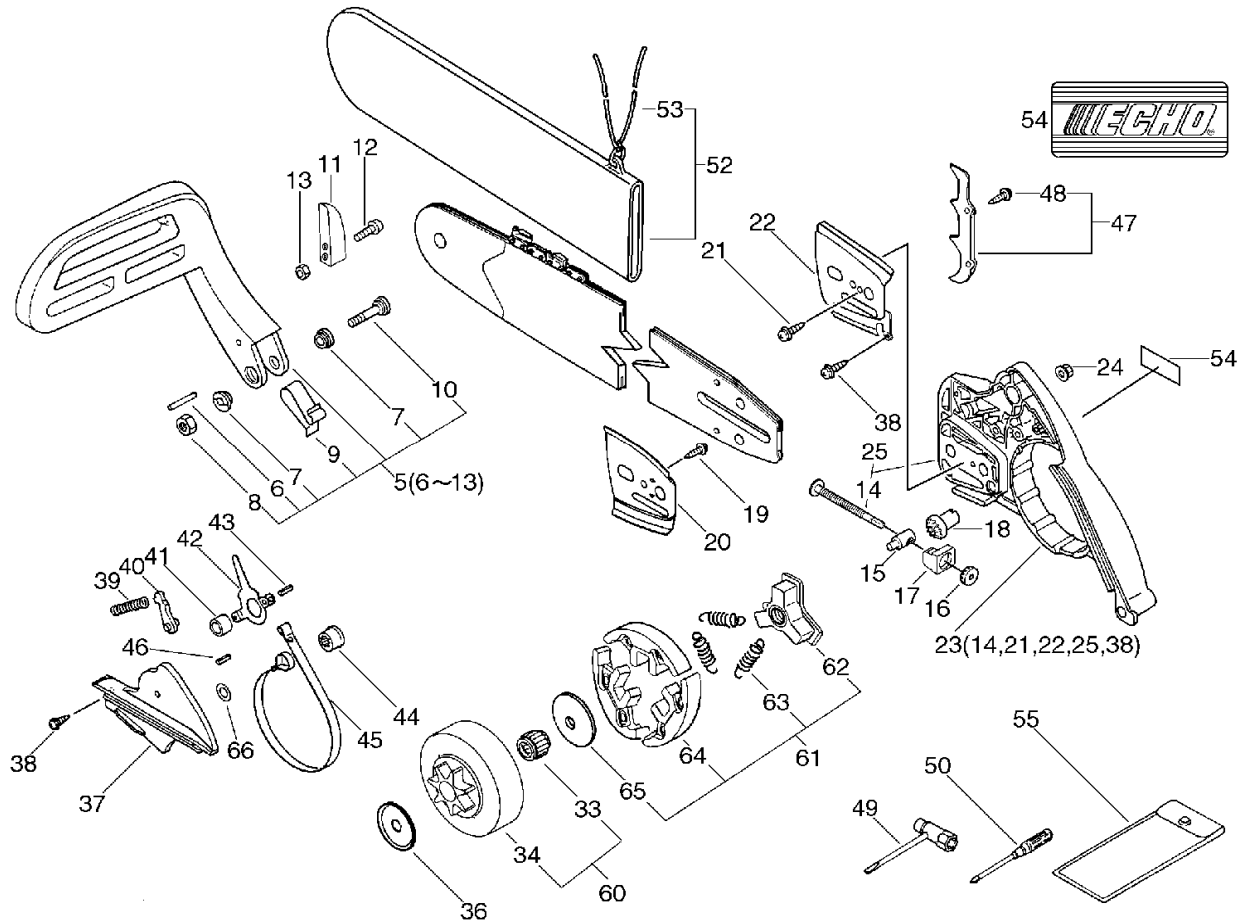
KEY	LV	PART NUMBER	Q'TY	DESCRIPTION	REMARKS	NOTE1	NOTE2
5		433201-39330	1	LEVER ASSY, BRAKE		Sus. by 433201-39332	
5		433201-39331	1	LEVER ASSY, BRAKE		Sus. by 433201-39332	
5		433201-39332	1	LEVER ASY, BRAKE			
6	+	900330-30240	1	PIN 3*24	3*23.8		
7	+	433167-39130	2	SPACER			
8	+	900560-00005	1	NUT, LOCK 5	5	Sus. by 900562-50005	
8	+	900562-50005	1	LOCKNUT 5	5		
9	+	433114-38330	1	SPRING		Sus. by 433114-38331	
9	+	433114-38331	1	SPRING			
10	+	900209-05030	1	SCREW, 5*30	5*30	Sus. by 91318-05032	
10	+	91318-05032	1	SCREW	5*32		
11	+	433171-39330	1	WEIGHT, BRAKE			
12	+	900238-04018	2	SCREW 4*18	4*18		
13	+	900500-00004	2	NUT 4	4		
14		V203-000040	1	BOLT,5		Sus. by V203-000041	
14		V203-000041	1	BOLT,5		Sr/Nr 517301 to 36011840	
15		433014-60930	1	TENSIONER, CHAIN		Sus. by C309-000030	

7. Clutch, Sprocket, Tools(Sr/Nr 36020670 and before)



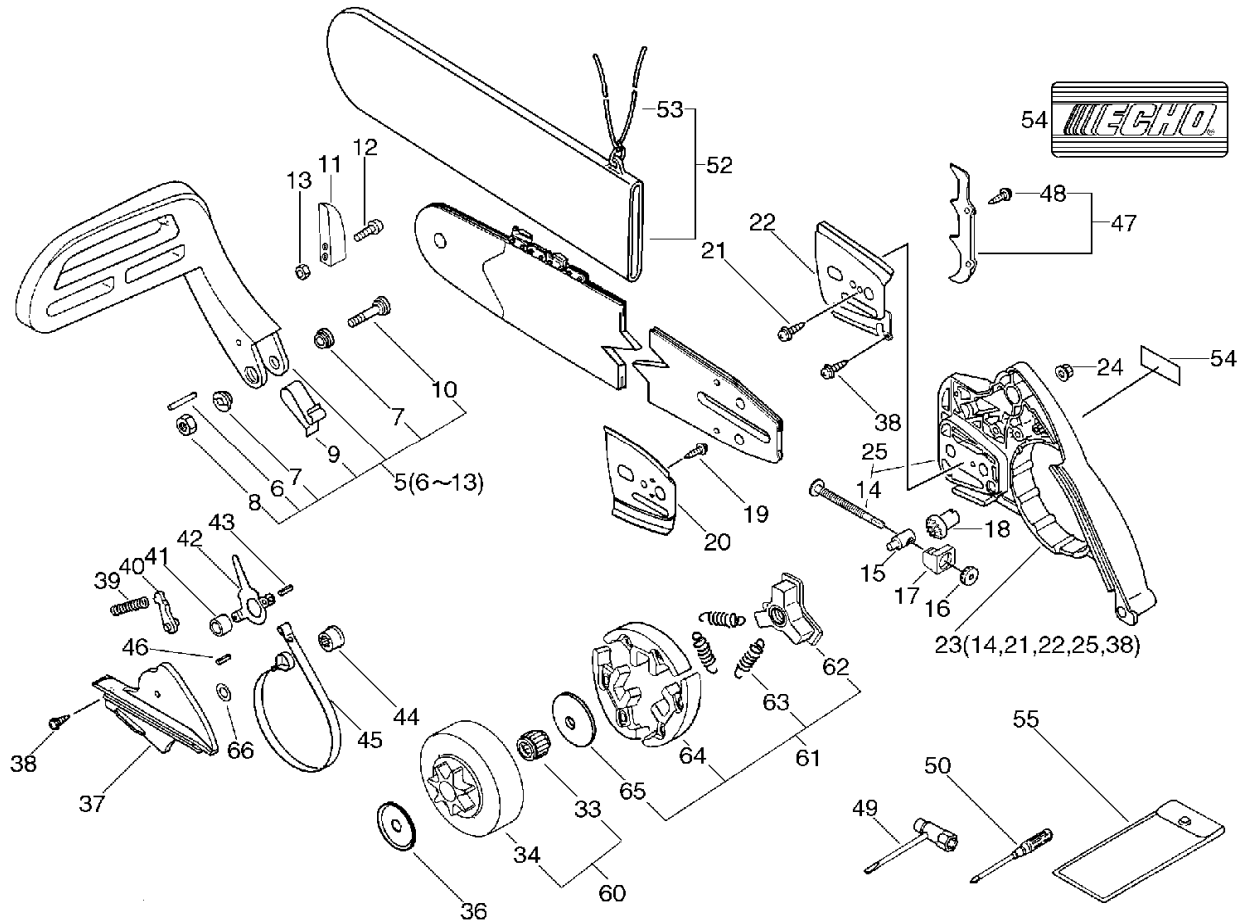
KEY	LV	PART NUMBER	Q'TY	DESCRIPTION	REMARKS	NOTE1	NOTE2
15		C309-000030	1	TENSIONER,CHAIN		Sr/Nr 517301 and after	
16		V651-000010	1	GEAR,BEVEL		Sus. by V651-000011	
16		V651-000011	1	GEAR,BEVEL		Sr/Nr 517301 and after	
17		V355-000030	1	COLLAR,8		Sus. by V355-000270	
17		V355-000270	1	COLLAR,8		Sr/Nr 517301 and after	
18		V651-000000	1	GEAR,BEVEL		Sus. by V651-000001	
18		V651-000001	1	GEAR,BEVEL		Sr/Nr 517301 and after	
19		900220-04006	1	SCREW 4*6	4*6		
20		433013-35431	1	PLATE, GUIDE (INNER)		Sus. by 433013-35432	
22		433012-38330	1	PLATE, SPROCK. GUARD		Sr/Nr 514840 and before	
25		433005-38930	1	GUARD, SPROCKET		Sus. by P021-001290	
23		P021-000480	1	SPROCKET GUARD KIT		Sus. by P021-001290	
23		P021-000481	1	SPROCKET GUARD KIT		Sus. by P021-001290	

7. Clutch, Sprocket, Tools(Sr/Nr 36020670 and before)



KEY	LV	PART NUMBER	Q'TY	DESCRIPTION	REMARKS	NOTE1	NOTE2
25		433005-38931	1	GUARD, SPROCKET		Sus. by P021-001290	
25		433005-38932	1	GUARD, SPROCKET		Sus. by P021-001290	
23		P021-001290	1	GUARD,SPROCKET SET		Sr/Nr 36011840 and before	
23		P021-001291	1	GUARD,SPROCKET SET		Sus. by P021-001292	
21	+	900220-03006	1	SCREW 3*6	3*6		
22	+	C305-000000	1	PLATE,SPROCKET GUARD		Sus. by C305-000001	
22	+	C305-000001	1	PLATE,SPROCKET GUARD		Sr/Nr 514841 and after	
25	+	433005-38933	1	GUARD, SPROCKET		Sr/Nr 520222 to 36011840	
25	+	P021-010160	1	GUARD, SPROCKET KIT		Sr/Nr 36011841 and after	
14	++	V203-000110	1	BOLT,5		Sr/Nr 36011841 and after	
38	+	900253-04010	1	SCREW 4*10	4*10	Sr/Nr 514841 and after	
55	+	V162-000020	1	PLUG		Can be needed for non-side-access type models	
24		433019-12330	2	NUT, FLANGE 8	M-8		

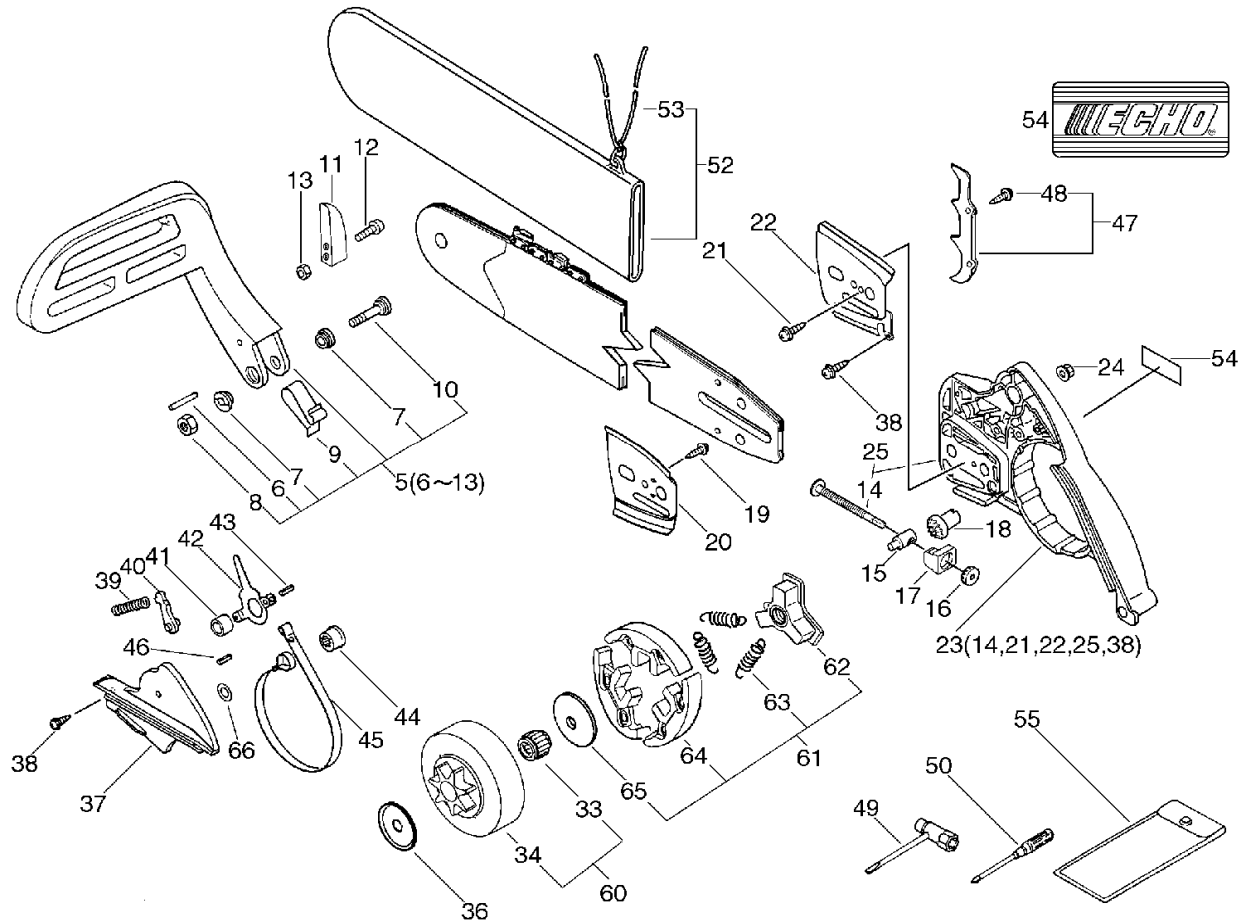
7. Clutch, Sprocket, Tools(Sr/Nr 36020670 and before)



KEY	LV	PART NUMBER	Q'TY	DESCRIPTION	REMARKS	NOTE1	NOTE2
26		175000-35431	1	CLUTCH ASSY		Sr/Nr 601000 and before	
27	+	175062-35430	3	SPACER		Sr/Nr 601000 and before	
28	+	175019-19830	3	PLATE, CLUTCH		Sr/Nr 601000 and before	
29	+	175016-35430	1	HUB, CLUTCH		Sr/Nr 601000 and before	
30	+	175018-19830	1	SPRING, CLUTCH		Sr/Nr 601000 and before	
31	+	175002-19830	1	SHOE, CLUTCH		Sr/Nr 601000 and before	
32	+	900105-04006	6	BOLT, H.S. 4*6	4*6	Sr/Nr 601000 and before	
26		175000-59530	1	CLUTCH ASY		Sr/Nr 601001 to 612390	
27	+	175016-59530	1	HUB, CLUTCH		Sr/Nr 601001 to 612390	
28	+	175018-59530	1	SPRING, CLUTCH		Sr/Nr 601001 to 612390	
29	+	175002-59530	1	SHOE, CLUTCH		Sr/Nr 601001 to 612390	
30	+	175022-59530	3	SPRING,FLAT		Sr/Nr 601001 to 612390	
31		175019-59530	1	PLATE, CLUTCH		Sr/Nr 601001 to 612390	

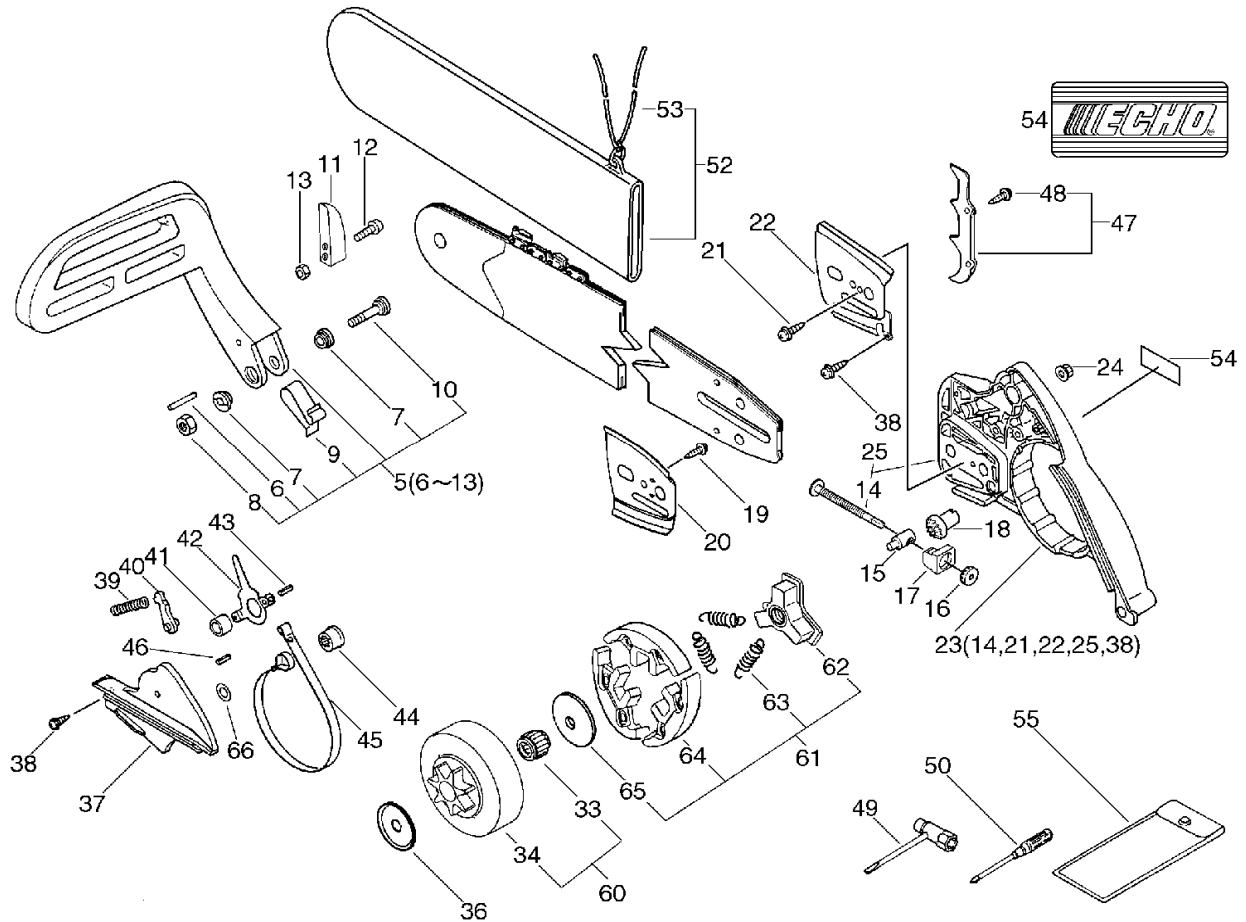


7. Clutch, Sprocket, Tools(Sr/Nr 36020670 and before)



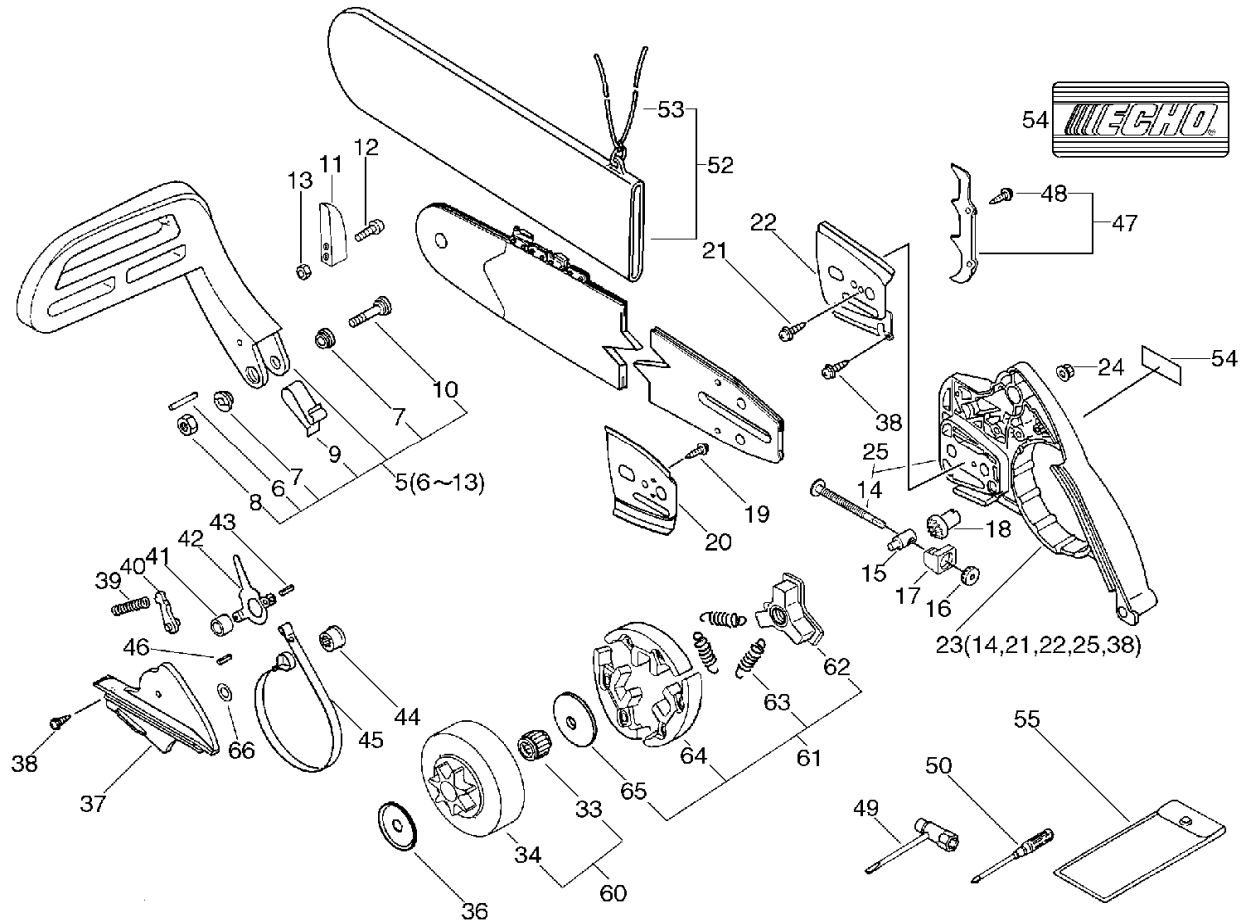
KEY	LV	PART NUMBER	Q'TY	DESCRIPTION	REMARKS	NOTE1	NOTE2
33		175012-14630	1	BEARING, NEEDLE			
34		175105-35430	1	DRUM, CLUTCH		Sus. by A556-000170	
34		A556-000170	1	DRUM,CLUTCH	325-7		
35		175114-12530	1	SPROCKET, RIM .325		Sr/Nr 601000 and before	
36		175019-38330	1	PLATE, CLUTCH			
37		433310-38330	1	COVER, BRAKE			
38		900253-04010	2	SCREW 4*10	4*10		
39		433122-35430	1	SPRING, BRAKE			
40		433209-35430	1	STOPPER, BRAKE			
41		433115-38330	1	WASHER 5.2*12*14	5.2*12*14		
42		433208-35431	1	LEVER, BRAKE			
43		900330-40088	1	ROLLER 4*8.8	4*8.8		
44		433142-35430	1	ADJUSTER, BRAKE			
45		433123-35430	1	BAND, BRAKE			
46		900342-25012	1	PIN, SPRING 2.5*12	2.5*12		
47		880200-38330	1	BUMPER, SPIKED KIT			
48	+	900105-05012	2	BOLT, H.S. 5*12	5*12		
49		895410-02830	1	WRENCH, W/S. DRIVER			
50		895811-00130	1	DRIVER, SCREW 125			
51		890316-39130	1	LABEL, CAUTION		Sr/Nr 36008061 and before	
52		898548-14531	1	SCABBARD, CHAIN			
53	+	898568-14530	1	ROPE	5*900		
54		X502-000000	1	LABEL,ECHO			

7. Clutch, Sprocket, Tools(Sr/Nr 36020670 and before)



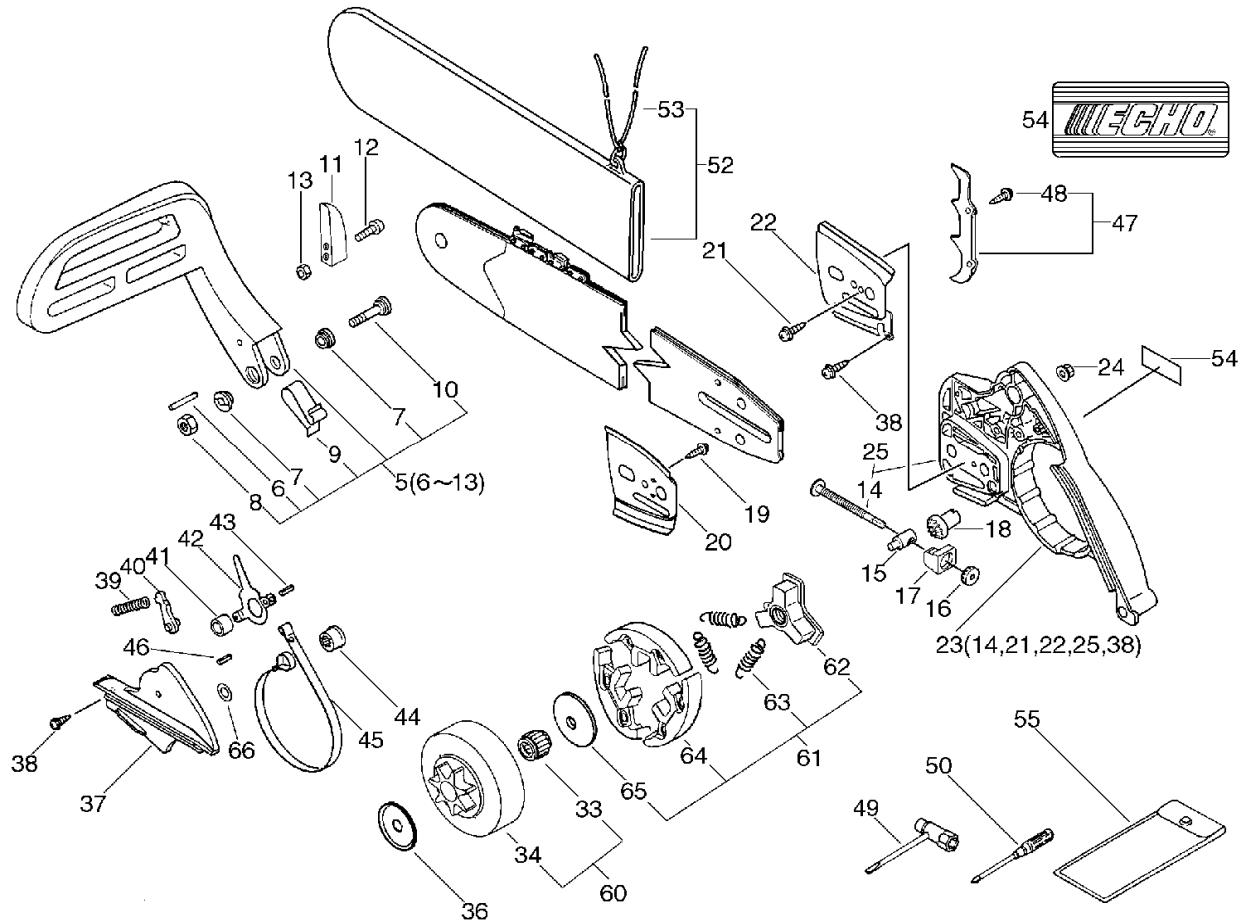
KEY	LV	PART NUMBER	Q'TY	DESCRIPTION	REMARKS	NOTE1	NOTE2
55		898510-39130	1	BAG, TOOL			
61		P021-007060	1	CLUTCH ASY W/PLATE		Sr/Nr 612391 and after	
62	+	A552-000060	1	HUB,CLUTCH		Sr/Nr 612391 and after	
63	+	V451-000500	3	SPRING,TENSION		Sr/Nr 612391 and after	
64	+	P021-007050	1	CLUTCH SHOE SET		Sr/Nr 612391 and after	
65	+	175019-39430	1	PLATE, CLUTCH		Sr/Nr 612391 and after	
66		V304-000090	1	WASHER,CIRCULAR 6		Sr/Nr 36002761 and after	

8. Clutch, Sprocket, Tools(Sr/Nr 36020671 and after)



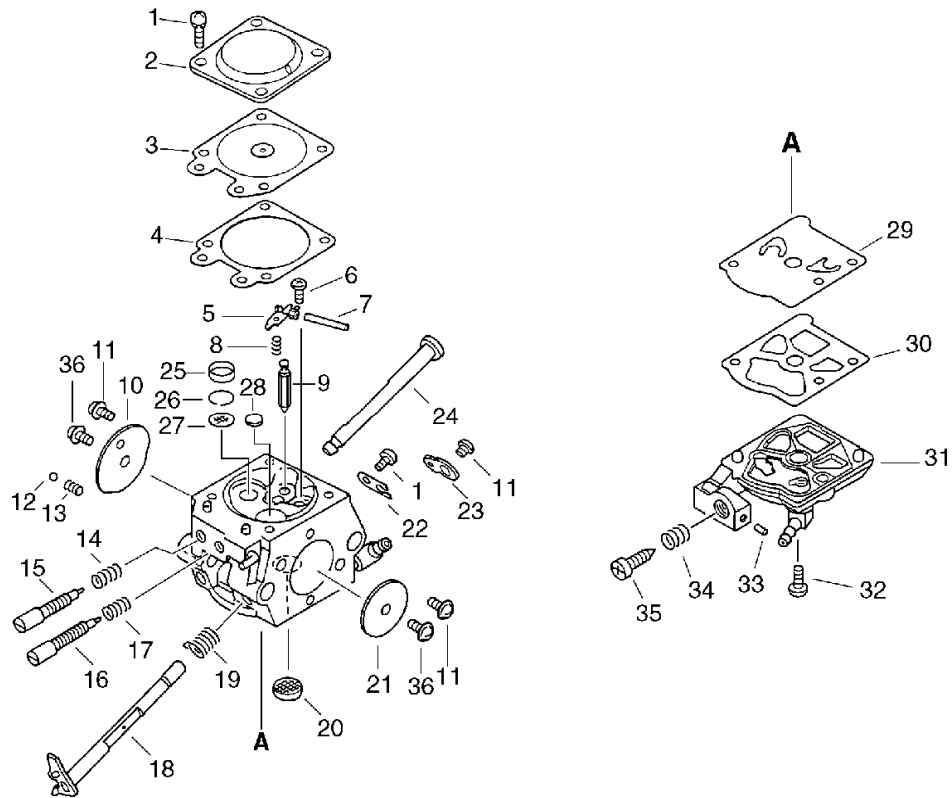
KEY	LV	PART NUMBER	Q'TY	DESCRIPTION	REMARKS	NOTE1	NOTE2
5		433201-39332	1	LEVER ASY, BRAKE			
6	+	900330-30240	1	PIN 3*24	3*23.8		
7	+	433167-39130	2	SPACER			
8	+	900562-50005	1	LOCKNUT 5	5		
9	+	433114-38331	1	SPRING			
10	+	91318-05032	1	SCREW	5*32		
11	+	433171-39330	1	WEIGHT, BRAKE			
12	+	900238-04018	2	SCREW 4*18	4*18		
13	+	900500-00004	2	NUT 4	4		
15		C309-000030	1	TENSIONER,CHAIN			
16		V651-000011	1	GEAR,BEVEL			
17		V355-000270	1	COLLAR,8			
18		V651-000001	1	GEAR,BEVEL			
19		900220-04006	1	SCREW 4*6	4*6		
20		433013-35432	1	PLATE, GUIDE (INNER)			
23		P021-001292	1	GUARD,SPROCKET SET			
21	+	900220-03006	1	SCREW 3*6	3*6		
22	+	C305-000001	1	PLATE,SPROCKET GUARD			
25	+	P021-010161	1	GUARD, SPROCKET KIT			
14	++	V203-000110	1	BOLT,5			
38	+	900253-04010	1	SCREW 4*10	4*10		
24		433019-12330	2	NUT, FLANGE 8	M-8		
60		P021-006060	1	DRUM,CLUTCH SET			
33	+	175012-00831	1	BEARING, NEEDLE			
34	+	A556-000171	1	DRUM,CLUTCH			
36		175019-38330	1	PLATE, CLUTCH			

8. Clutch, Sprocket, Tools(Sr/Nr 36020671 and after)



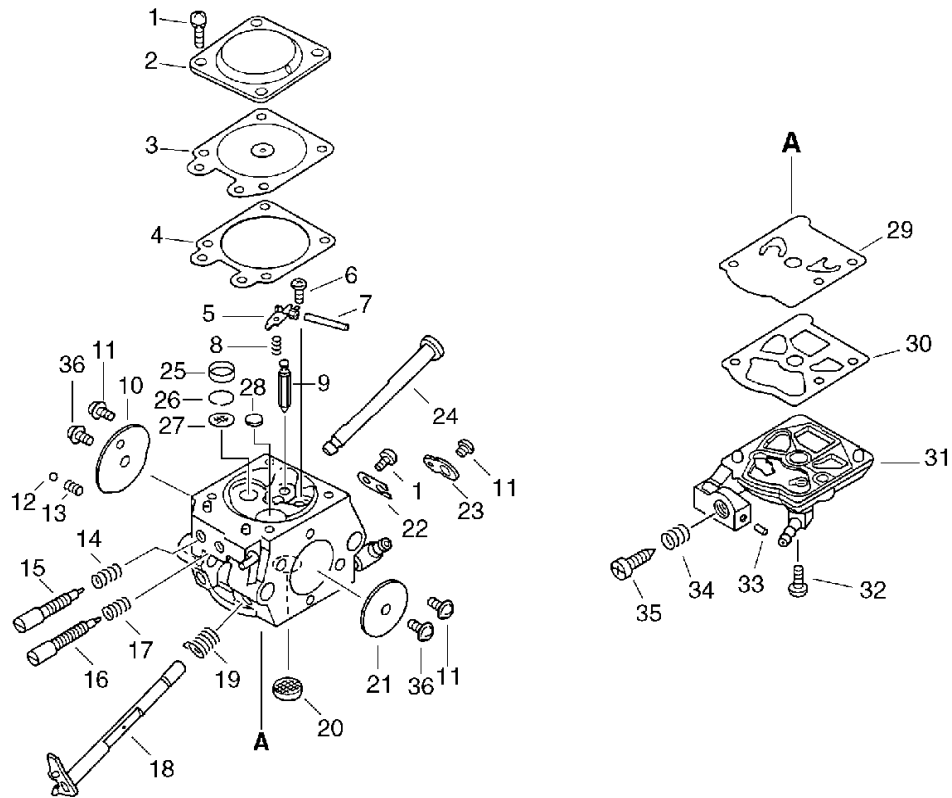
KEY	LV	PART NUMBER	Q'TY	DESCRIPTION	REMARKS	NOTE1	NOTE2
37		433310-38330	1	COVER, BRAKE			
38		900253-04010	2	SCREW 4*10	4*10		
39		433122-35430	1	SPRING, BRAKE			
40		433209-35430	1	STOPPER, BRAKE			
41		433115-38330	1	WASHER 5.2*12*14	5.2*12*14		
42		433208-35431	1	LEVER, BRAKE			
43		900330-40088	1	ROLLER 4*8.8	4*8.8		
44		433142-35430	1	ADJUSTER, BRAKE			
45		C328-000060	1	BAND, BRAKE			
46		900342-25012	1	PIN, SPRING 2.5*12	2.5*12		
47		880200-38330	1	BUMPER, SPIKED KIT			
48	+	900105-05012	2	BOLT, H.S. 5*12	5*12		
49		895410-02830	1	WRENCH, W/S. DRIVER			
50		895811-00130	1	DRIVER, SCREW 125			
52		898548-14531	1	SCABBARD, CHAIN			
53	+	898568-14530	1	ROPE	5*900		
54		X502-000000	1	LABEL, ECHO			
55		898510-39130	1	BAG, TOOL			
61		P021-007060	1	CLUTCH ASY W/PLATE			
62	+	A552-000060	1	HUB, CLUTCH			
63	+	V451-000500	3	SPRING, TENSION			
64	+	P021-007050	1	CLUTCH SHOE SET			
65	+	175019-39430	1	PLATE, CLUTCH			
66		V304-000090	1	WASHER, CIRCULAR 6			

9. Carburetor(Sr/Nr 613855 and before)



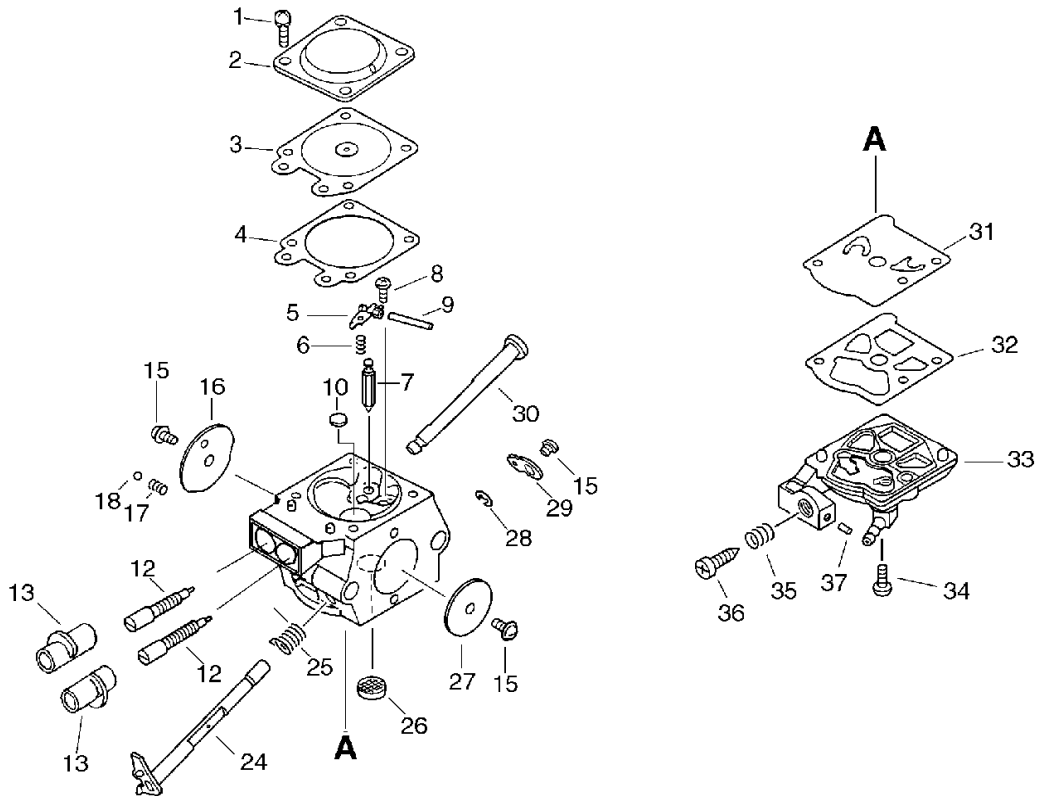
KEY	LV	PART NUMBER	Q'TY	DESCRIPTION	REMARKS	NOTE1	NOTE2
		123000-38331	1	CARBURETOR ASSY	WT-201A	Sus. by 123000-38332	
		123000-38332	1	CARBURETOR ASSY	WT-201B		
1	+	123130-02960	5	SCREW			
2	+	123142-03930	1	COVER, M. DIAPHRAGM			
3	+	123141-03930	1	DIAPHRAGM, METERING			
4	+	123140-03930	1	GASKET, M. DIAPHRAGM			
5	+	123123-03930	1	LEVER, METERING		Sus. by 123123-38330	
5	+	123123-38330	1	LEVER, METERING			
6	+	123139-03930	1	SCREW, M. LEVER PIN			
7	+	123138-03930	1	PIN, METERING LEVER			
8	+	123122-11130	1	SPRING, METER. LEVER			
9	+	123137-19830	1	VALVE, INLET NEEDLE			
10	+	123132-37330	1	VALVE, CHOKE			
11	+	123114-03930	3	SCREW		Sr/Nr 502291 and before	
11	+	123114-03930	1	SCREW		Sus. by 123114-38830	
11	+	123114-38830	1	SCREW		Sr/Nr 502292 and after	
12	+	123136-10630	1	BALL, CHOKE FRICTION			
13	+	123135-10630	1	SPRING, CHOKE FRICT.			
14	+	123119-22130	1	SPRING, NEEDLE			
15	+	123120-38330	1	NEEDLE, HIGH SPEED			
16	+	123118-38330	1	NEEDLE, IDLE			

9. Carburetor(Sr/Nr 613855 and before)



KEY	LV	PART NUMBER	Q'TY	DESCRIPTION	REMARKS	NOTE1	NOTE2
17	+	123121-22130	1	SPRING, NEEDLE			
18	+	123117-38330	1	SHAFT, THROTTLE			
19	+	123113-37530	1	SPRING, THROTTLE RTN			
20	+	123126-10631	1	SCREEN, INLET			
21	+	123116-10530	1	VALVE, THROTTLE			
22	+	123127-03930	1	CLIP, THROTTLE SHAFT			
23	+	123150-38330	1	LEVER, THROTTLE			
24	+	123131-35430	1	SHAFT, CHOKE			
25	+	123146-17330	1	PLUG, CUP			
26	+	123169-10630	1	RING, RETAINING			
27	+	123168-10631	1	SCREEN			
28	+	123146-10631	1	PLUG, WELCH			
29	+	123112-15030	1	DIAPHRAGM, FUEL PUMP			
30	+	123125-15030	1	GASKET, FUEL PUMP			
31	+	123124-38330	1	COVER, FUEL PUMP			
32	+	123110-03930	1	SCREW, PUMP COVER			
33	+	123178-15030	1	PLUG, FRICTION			
34	+	123133-04260	1	SPRING, IDLE ADJUST			
35	+	123134-04260	1	SCREW, IDLE ADJUST			
36	+	123114-38830	2	SCREW		Sr/Nr 502292 and after	

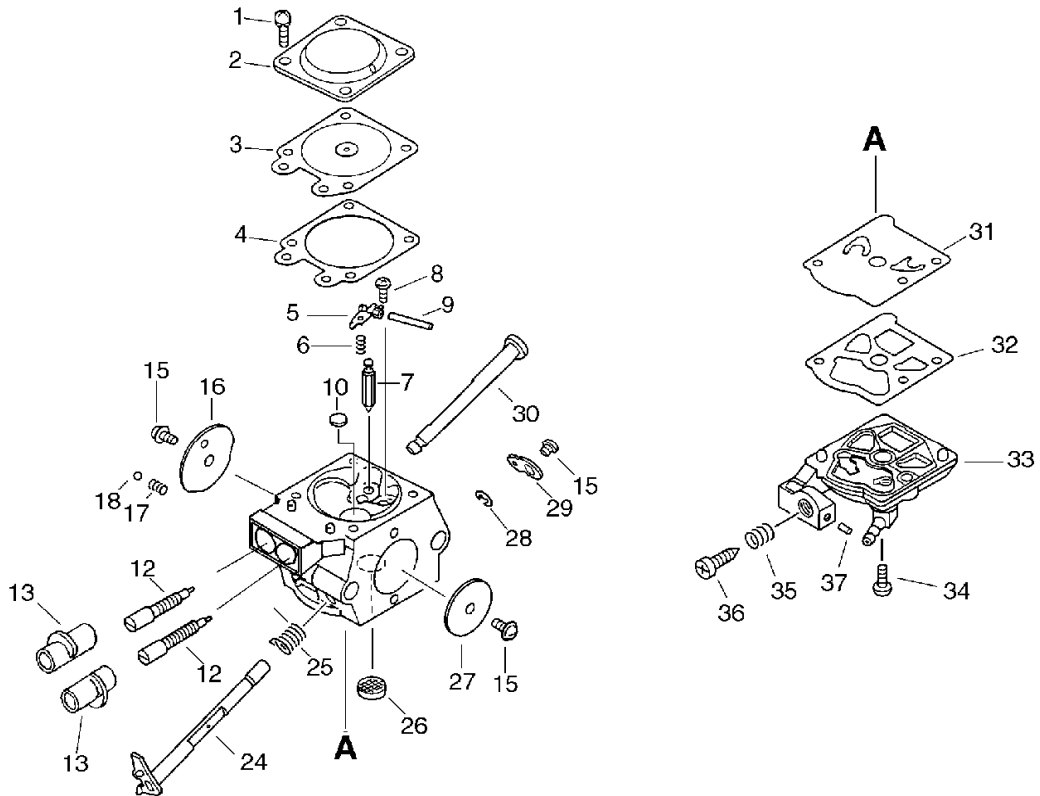
10. Carburetor(Sr/Nr 36000001 and after)



KEY	LV	PART NUMBER	Q'TY	DESCRIPTION	REMARKS	NOTE1	NOTE2
		123000-39333	1	CARBURETOR WT-416C	WT-416C		
1	+	123130-02960	4	SCREW			
2	+	123142-03930	1	COVER, M. DIAPHRAGM			
3	+	123141-03930	1	DIAPHRAGM, METERING			
4	+	123140-03930	1	GASKET, M. DIAPHRAGM			
5	+	123123-03930	1	LEVER, METERING			
6	+	123122-39330	1	SPRING, METER. LEVER			
7	+	123137-19830	1	VALVE, INLET NEEDLE			
8	+	123139-03930	1	SCREW, M. LEVER PIN			
9	+	123138-03930	1	PIN, METERING LEVER			
10	+	123146-10631	1	PLUG, WELCH			
12	+	123120-03661	2	NEEDLE			
13	+	P003-000010	2	LIMITER CAP			
15	+	123114-38830	3	SCREW			
16	+	123132-37330	1	VALVE, CHOKE			
17	+	123135-10630	1	SPRING, CHOKE FRICT.			
18	+	123136-10630	1	BALL, CHOKE FRICTION			
24	+	123117-39330	1	SHAFT, THROTTLE			
25	+	123113-37530	1	SPRING, THROTTLE RTN			
26	+	123126-10631	1	SCREEN, INLET			
27	+	123116-10530	1	VALVE, THROTTLE			
28	+	123127-15030	1	RING			
29	+	123150-38330	1	LEVER, THROTTLE			
30	+	123131-35430	1	SHAFT, CHOKE			
31	+	123112-15030	1	DIAPHRAGM, FUEL PUMP			
32	+	123125-15030	1	GASKET, FUEL PUMP			

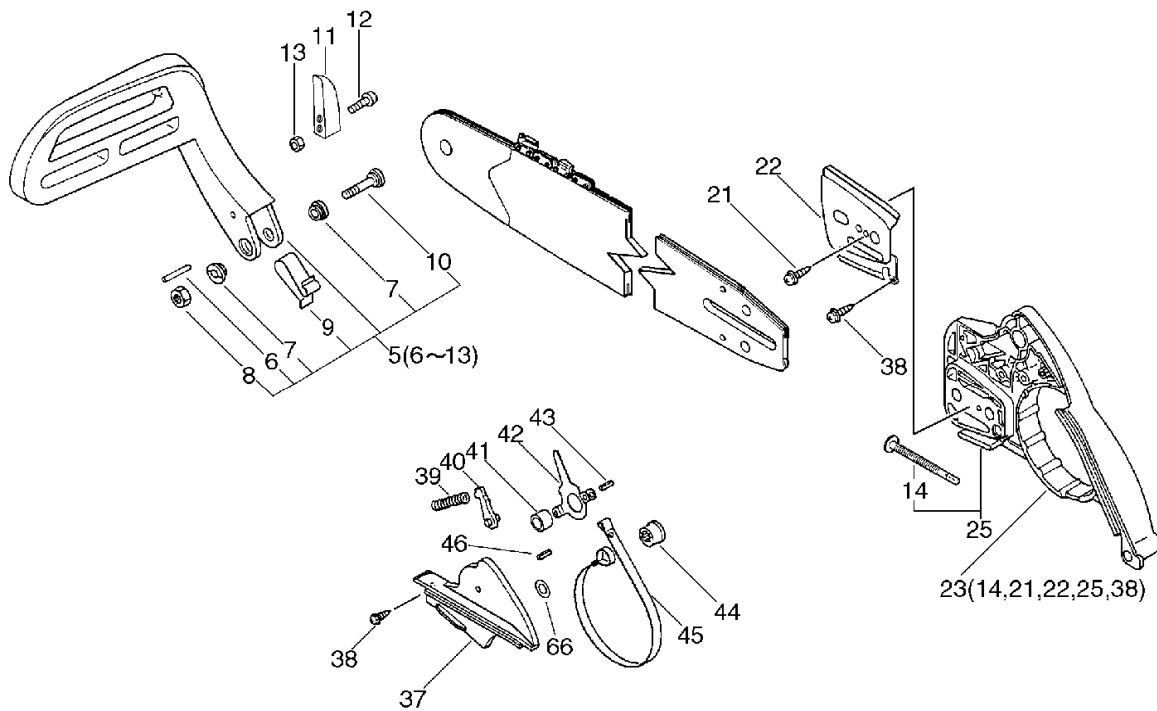


10. Carburetor(Sr/Nr 36000001 and after)



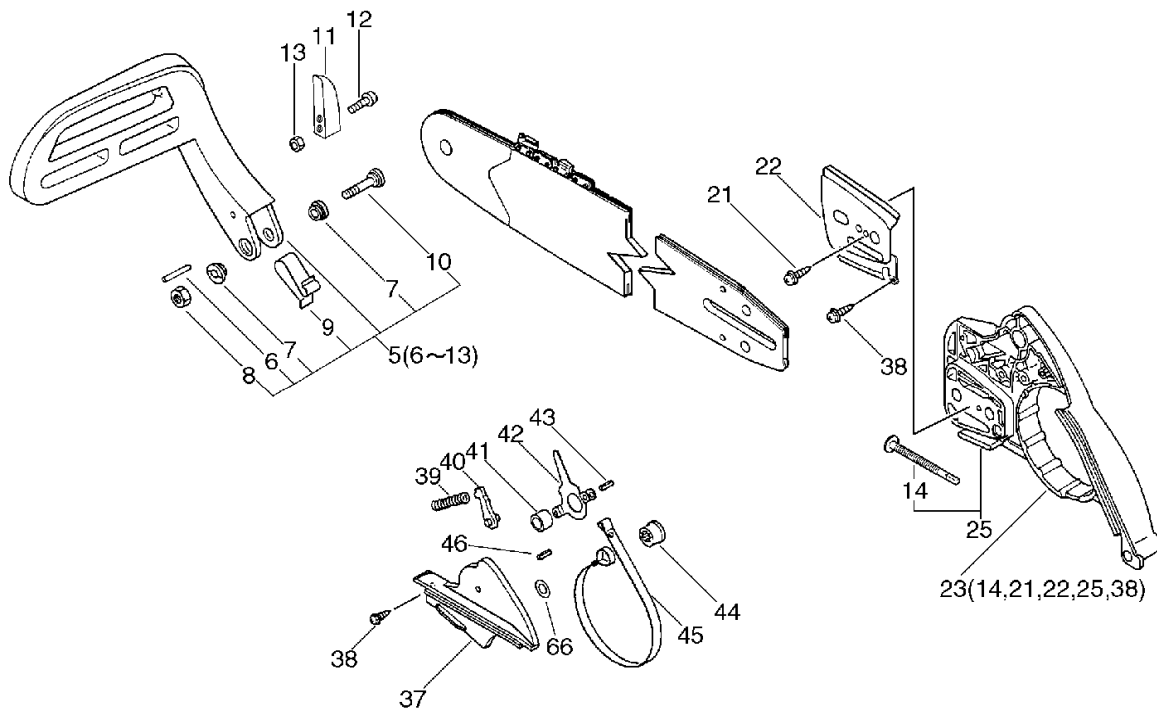
KEY	LV	PART NUMBER	Q'TY	DESCRIPTION	REMARKS	NOTE1	NOTE2
33	+	123124-38330	1	COVER, FUEL PUMP			
34	+	123110-03930	1	SCREW, PUMP COVER			
35	+	123133-04260	1	SPRING, IDLE ADJUST			
36	+	123134-04260	1	SCREW, IDLE ADJUST			
37	+	123178-15030	1	PLUG, FRICTION			

11. Chain Brake Assy(Sr/Nr 36020670 and before)



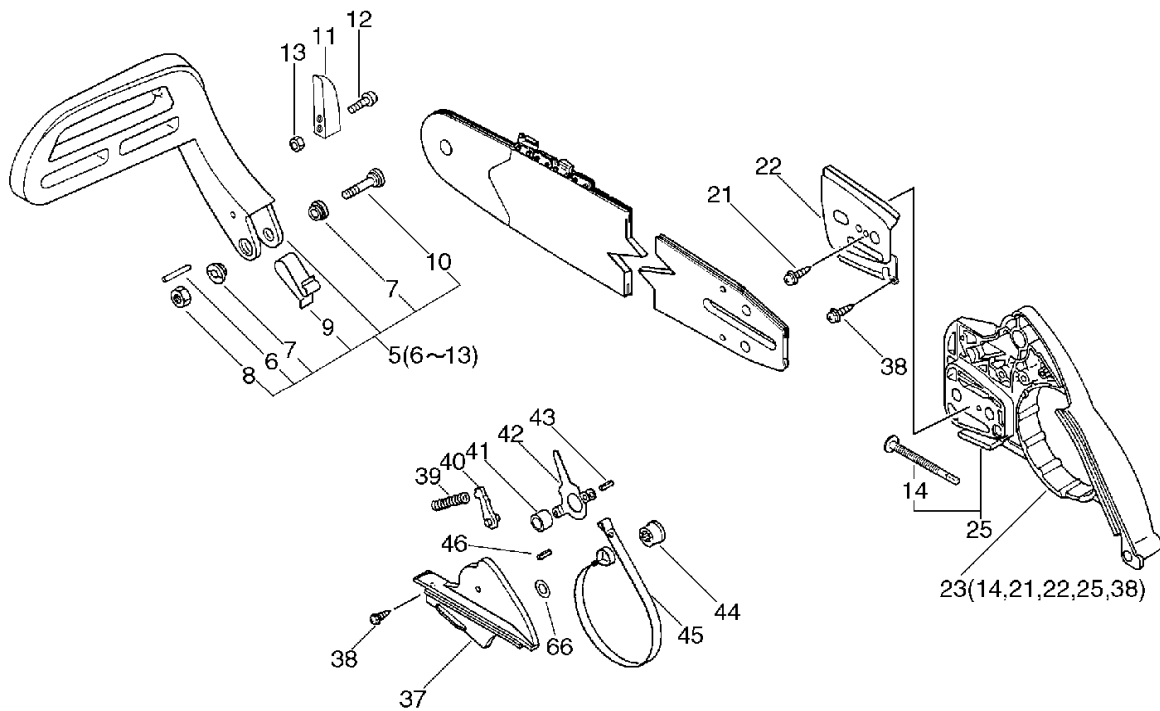
KEY	LV	PART NUMBER	Q'TY	DESCRIPTION	REMARKS	NOTE1	NOTE2
		433100-38930	1	BRAKE ASSY, CHAIN		Sus. by P021-010130	
		433100-38931	1	BRAKE ASY, CHAIN		Sus. by P021-010130	
		433100-38932	1	BRAKE ASY, CHAIN		Sus. by P021-010130	
		433100-38933	1	BRAKE ASY, CHAIN		Sus. by P021-010130	
		433100-38934	1	BRAKE ASY, CHAIN		Sus. by P021-010130	
		433100-38935	1	BRAKE ASY, CHAIN		Sus. by P021-010130	
		433100-38936	1	BRAKE ASY, CHAIN		Sus. by P021-010130	
		P021-010130	1	BRAKE,ASM CHAIN		Sus. by P021-010131	
5	+	433201-39331	1	LEVER ASSY, BRAKE		Sus. by 433201-39332	
5	+	433201-39332	1	LEVER ASSY, BRAKE			
6	++	900330-30240	1	PIN 3*24	3*23.8		
7	++	433167-39130	2	SPACER			
8	++	900560-00005	1	NUT, LOCK 5	5	Sus. by 900562-50005	
8	++	900562-50005	1	LOCKNUT 5	5		
9	++	433114-38331	1	SPRING			

11. Chain Brake Asy(Sr/Nr 36020670 and before)



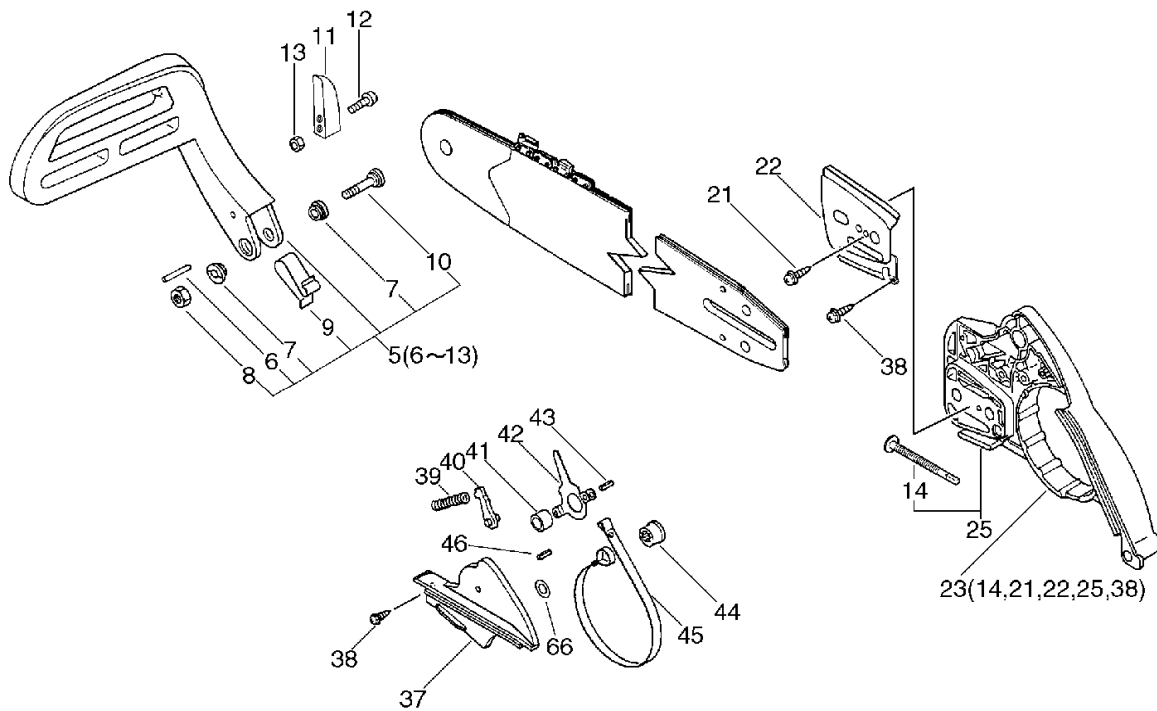
KEY	LV	PART NUMBER	Q'TY	DESCRIPTION	REMARKS	NOTE1	NOTE2
10	++	900209-05030	1	SCREW, 5*30	5*30	Sus. by 91318-05032	
10	++	91318-05032	1	SCREW	5*32		
11	++	433171-39330	1	WEIGHT, BRAKE			
12	++	900238-04018	2	SCREW 4*18	4*18		
13	++	900500-00004	2	NUT 4	4		
25	+	433005-38930	1	GUARD, SPROCKET		Sus. by P021-001290	
23	+	P021-000480	1	SPROCKET GUARD KIT		Sus. by P021-001290	
23	+	P021-000481	1	SPROCKET GUARD KIT		Sus. by P021-001290	
25	+	433005-38931	1	GUARD, SPROCKET		Sus. by P021-001290	
25	+	433005-38932	1	GUARD, SPROCKET		Sus. by P021-001290	
23	+	P021-001290	1	GUARD,SPROCKET SET			
21	++	900220-03006	1	SCREW 3*6	3*6		
22	++	C305-000000	1	PLATE,SPROCKET GUARD		Sus. by C305-000001	
22	++	C305-000001	1	PLATE,SPROCKET GUARD		Sr/Nr 514841 and after	
25	++	433005-38933	1	GUARD, SPROCKET		Sr/Nr 520222 to 36011840	
25	++	P021-010160	1	GUARD, SPROCKET KIT		Sr/Nr 36011841 and after	

## 11. Chain Brake Assy(Sr/Nr 36020670 and before)



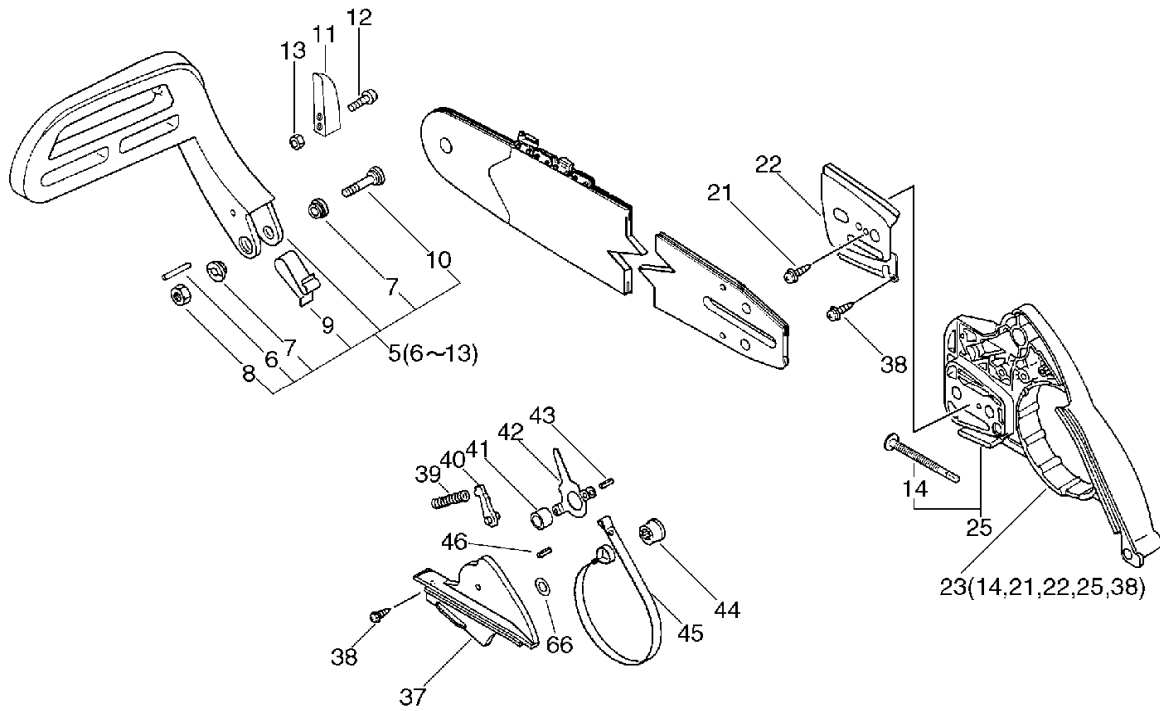
KEY	LV	PART NUMBER	Q'TY	DESCRIPTION	REMARKS	NOTE1	NOTE2
14	+++	V203-000110	1	BOLT,5		Sr/Nr 36011841 and after	
38	++	900253-04010	1	SCREW 4*10	4*10	Sr/Nr 514841 and after	
55	++	V162-000020	1	PLUG		Can be needed for non-side-access type models	
37	+	433310-38330	1	COVER, BRAKE			
38	+	900253-04010	2	SCREW 4*10	4*10		
39	+	433122-35430	1	SPRING, BRAKE			
40	+	433209-35430	1	STOPPER, BRAKE			
41	+	433115-38330	1	WASHER 5.2*12*14	5.2*12*14		
42	+	433208-35431	1	LEVER, BRAKE			
43	+	900330-40088	1	ROLLER 4*8.8	4*8.8		
44	+	433142-35430	1	ADJUSTER, BRAKE			
45	+	433123-35430	1	BAND, BRAKE		Sus. by C328- 000060	
45	+	C328-000060	1	BAND, BRAKE			
46	+	900342-25012	1	PIN, SPRING 2.5*12	2.5*12		
66	+	V304-000090	1	WASHER, CIRCULAR 6		Sr/Nr 36002761 and after	

12. Chain Brake Asy(Sr/Nr 36020671 and after)



KEY	LV	PART NUMBER	Q'TY	DESCRIPTION	REMARKS	NOTE1	NOTE2
		P021-010131	1	BRAKE,ASM CHAIN			
5	+	433201-39332	1	LEVER ASY, BRAKE			
6	++	900330-30240	1	PIN 3*24	3*23.8		
7	++	433167-39130	2	SPACER			
8	++	900562-50005	1	LOCKNUT 5	5		
9	++	433114-38331	1	SPRING			
10	++	91318-05032	1	SCREW	5*32		
11	++	433171-39330	1	WEIGHT, BRAKE			
12	++	900238-04018	2	SCREW 4*18	4*18		
13	++	900500-00004	2	NUT 4	4		
23	+	P021-001290	1	GUARD,SPROCKET SET			
21	++	900220-03006	1	SCREW 3*6	3*6		
22	++	C305-000001	1	PLATE,SPROCKET GUARD			
25	++	P021-010160	1	GUARD, SPROCKET KIT			
14	+++	V203-000110	1	BOLT,5			
38	++	900253-04010	1	SCREW 4*10	4*10		
37	+	433310-38330	1	COVER, BRAKE			
38	+	900253-04010	2	SCREW 4*10	4*10		
39	+	433122-35430	1	SPRING, BRAKE			
40	+	433209-35430	1	STOPPER, BRAKE			
41	+	433115-38330	1	WASHER 5.2*12*14	5.2*12*14		
42	+	433208-35431	1	LEVER, BRAKE			
43	+	900330-40088	1	ROLLER 4*8.8	4*8.8		
44	+	433142-35430	1	ADJUSTER, BRAKE			
45	+	C328-000060	1	BAND, BRAKE			
46	+	900342-25012	1	PIN, SPRING 2.5*12	2.5*12		

12. Chain Brake Asy(Sr/Nr 36020671 and after)



KEY	LV	PART NUMBER	Q'TY	DESCRIPTION	REMARKS	NOTE1	NOTE2
66	+	V304-000090	1	WASHER,CIRCULAR 6			



**Index**

<b>Patrs Number</b>	<b>Key No.</b>	<b>Patrs Number</b>	<b>Key No.</b>	<b>Patrs Number</b>	<b>Key No.</b>
100000-38930	1 - 8	123112-15030	9 - 29	123139-03930	9 - 6
100000-38931	1 - 8	123113-37530	10 - 25	123140-03930	10 - 4
100000-38932	1 - 8	123113-37530	9 - 19	123140-03930	9 - 4
100000-38932	2 - 8	123114-03930	9 - 11	123141-03930	10 - 3
100011-38930	1 - 9	123114-03930	9 - 11	123141-03930	9 - 3
100011-38930	2 - 9	123114-38830	10 - 15	123142-03930	10 - 2
100012-35430	1 - 14	123114-38830	9 - 11	123142-03930	9 - 2
100012-35430	2 - 14	123114-38830	9 - 36	123146-10631	10 - 10
100013-35430	1 - 10	123116-10530	10 - 27	123146-10631	9 - 28
100013-35430	2 - 10	123116-10530	9 - 21	123146-17330	9 - 25
100015-03930	1 - 11	123117-38330	9 - 18	123150-38330	10 - 29
100015-03931	1 - 11	123117-39330	10 - 24	123150-38330	9 - 23
100015-03931	2 - 11	123118-38330	9 - 16	123168-10631	9 - 27
100101-38330	1 - 13	123119-22130	9 - 14	123169-10630	9 - 26
100142-39130	1 - 12	123120-03661	10 - 12	123178-15030	10 - 37
100142-39130	2 - 12	123120-38330	9 - 15	123178-15030	9 - 33
100202-38930	1 - 5	123121-22130	9 - 17	129010-33330	3 - 12
100202-38931	1 - 5	123122-11130	9 - 8	130000-38330	3 - 1
100213-38330	1 - 16	123122-39330	10 - 6	130000-38331	3 - 1
100215-03930	1 - 23	123123-03930	10 - 5	130010-38330	3 - 4
100215-03930	2 - 23	123123-03930	9 - 5	130020-33330	3 - 3
100910-38330	5 - 25	123123-38330	9 - 5	130110-38330	3 - 5
100915-32530	5 - 23	123124-38330	10 - 33	130301-38331	3 - 8
100915-33930	1 - 31	123124-38330	9 - 31	130301-38332	3 - 8
100915-33930	2 - 31	123125-15030	10 - 32	130310-38330	3 - 7
100918-38330	1 - 30	123125-15030	9 - 30	130310-38331	3 - 7
100918-38330	2 - 30	123126-10631	10 - 26	130366-38330	3 - 2
100918-38330	5 - 24	123126-10631	9 - 20	130405-38331	3 - 6
100921-38330	1 - 32	123127-03930	9 - 22	130430-38330	3 - 10
100921-38330	2 - 32	123127-15030	10 - 28	130510-38330	1 - 7
100921-38330	5 - 22	123130-02960	10 - 1	130510-38330	2 - 7
101501-38330	1 - 20	123130-02960	9 - 1	130516-35430	1 - 4
101535-38930	4 - 18	123131-35430	10 - 30	130516-35430	2 - 4
101579-38330	1 - 21	123131-35430	9 - 24	131004-37931	5 - 14
101579-38330	2 - 21	123132-37330	10 - 16	131004-37932	5 - 14
104005-38330	1 - 33	123132-37330	9 - 10	131050-19830	1 - 42
104005-38331	1 - 33	123133-04260	10 - 35	131051-19830	1 - 44
104005-38332	1 - 33	123133-04260	9 - 34	131051-19830	5 - 15
104005-38333	1 - 33	123134-04260	10 - 36	131205-19830	5 - 19
104005-38334	1 - 33	123134-04260	9 - 35	131205-30830	5 - 19
123000-38331	3 - 11	123135-10630	10 - 17	131300-40630	5 - 35
123000-38331	9 -	123135-10630	9 - 13	131300-56430	5 - 35
123000-38332	3 - 11	123136-10630	10 - 18	131314-35430	5 - 21
123000-38332	9 -	123136-10630	9 - 12	131328-40630	5 - 34
123000-39333	10 -	123137-19830	10 - 7	132010-38330	5 - 18
123000-39333	3 - 11	123137-19830	9 - 9	132010-38331	5 - 18
123110-03930	10 - 34	123138-03930	10 - 9	132012-39330	5 - 32
123110-03930	9 - 32	123138-03930	9 - 7	132013-26630	5 - 33
123112-15030	10 - 31	123139-03930	10 - 8	132013-26630	5 - 20



**Index**

<b>Patrs Number</b>	<b>Key No.</b>	<b>Patrs Number</b>	<b>Key No.</b>	<b>Patrs Number</b>	<b>Key No.</b>
132013-26630	6 - 11	175019-39430	7 - 65	433005-38932	11 - 25
132013-26630	6 - 11	175019-39430	8 - 65	433005-38932	7 - 25
132019-39330	5 - 31	175019-59530	7 - 31	433005-38933	11 - 25
132021-02960	5 - 32	175022-59530	7 - 30	433005-38933	7 - 25
132115-04920	5 - 17	175062-35430	7 - 27	433011-19830	1 - 35
132115-12330	6 - 12	175105-35430	7 - 34	433011-19830	2 - 35
145510-35431	3 - 24	175114-12530	7 - 35	433012-38330	7 - 22
145600-38330	3 - 20	175310-38330	6 - 10	433013-35431	7 - 20
145600-38331	3 - 20	177200-38332	4 - 19	433013-35432	8 - 20
145600-38332	3 - 20	177200-38333	4 - 19	433014-19830	1 - 24
145600-38333	3 - 20	177200-38334	4 - 19	433014-60930	7 - 15
145711-35430	3 - 22	177200-38335	4 - 19	433016-38330	1 - 25
145711-60631	3 - 22	177200-38931	4 - 19	433019-12330	7 - 24
156626-38330	4 - 9	177214-02830	4 - 21	433019-12330	8 - 24
156626-38331	4 - 9	177215-38330	4 - 23	433045-38330	1 - 45
156626-38332	4 - 9	177218-19830	4 - 16	433045-38331	1 - 45
156800-38930	4 - 11	177220-35430	4 - 25	433045-38332	1 - 45
156800-38931	4 - 11	177221-38330	4 - 24	433045-38332	2 - 45
159011-03432	4 - 6	177226-38330	4 - 22	433100-38930	11 -
159012-01620	4 - 7	177227-37930	4 - 27	433100-38931	11 -
159017-31730	4 - 5	177228-35430	4 - 26	433100-38932	11 -
162010-38330	3 - 14	177234-35430	4 - 13	433100-38933	11 -
162010-38331	3 - 14	177247-04630	4 - 15	433100-38934	11 -
162010-38332	3 - 14	178010-38330	5 - 8	433100-38935	11 -
163400-38330	3 - 16	178010-38331	5 - 8	433100-38936	11 -
163413-38930	3 - 25	178011-38331	3 - 19	433114-38330	7 - 9
163804-38930	3 - 15	178043-35430	5 - 9	433114-38331	11 - 9
163804-38931	3 - 15	178090-37930	5 - 7	433114-38331	12 - 9
163804-38932	3 - 15	178302-12330	5 - 13	433114-38331	7 - 9
163804-38935	3 - 15	178510-38330	3 - 17	433114-38331	8 - 9
163810-38330	3 - 15	178510-38331	3 - 17	433115-38330	11 - 41
163810-38931	3 - 26	178810-14531	3 - 18	433115-38330	12 - 41
163810-38932	3 - 26	178810-14532	3 - 18	433115-38330	7 - 41
163810-38933	3 - 26	178810-14533	3 - 18	433115-38330	8 - 41
163890-38330	1 - 17	178810-14534	3 - 18	433122-35430	11 - 39
163890-38330	2 - 17	178810-38330	3 - 18	433122-35430	12 - 39
175000-35431	7 - 26	351101-38330	5 - 12	433122-35430	7 - 39
175000-59530	7 - 26	351101-38331	5 - 12	433122-35430	8 - 39
175002-19830	7 - 31	351101-38332	5 - 12	433123-35430	11 - 45
175002-59530	7 - 29	351103-38330	5 - 12	433123-35430	7 - 45
175012-00831	8 - 33	351111-19830	5 - 11	433142-35430	11 - 44
175012-14630	7 - 33	351155-35430	5 - 6	433142-35430	12 - 44
175016-35430	7 - 29	351606-38330	5 - 26	433142-35430	7 - 44
175016-59530	7 - 27	433000-19831	1 - 27	433142-35430	8 - 44
175018-19830	7 - 30	433000-19831	2 - 27	433167-39130	11 - 7
175018-59530	7 - 28	433005-38930	11 - 25	433167-39130	12 - 7
175019-19830	7 - 28	433005-38930	7 - 25	433167-39130	7 - 7
175019-38330	7 - 36	433005-38931	11 - 25	433167-39130	8 - 7
175019-38330	8 - 36	433005-38931	7 - 25	433171-39330	11 - 11

**Index**

<b>Patrs Number</b>	<b>Key No.</b>	<b>Patrs Number</b>	<b>Key No.</b>	<b>Patrs Number</b>	<b>Key No.</b>
433171-39330	12 - 11	890316-39130	7 - 51	900238-05016	2 - 26
433171-39330	7 - 11	890345-39230	1 - 47	900238-05018	4 - 30
433171-39330	8 - 11	890345-39230	2 - 47	900246-03008	1 - 43
433201-39330	7 - 5	890611-39330	1 - 19	900253-04010	11 - 38
433201-39331	11 - 5	890611-39331	1 - 19	900253-04010	11 - 38
433201-39331	7 - 5	890611-39331	2 - 19	900253-04010	12 - 38
433201-39332	11 - 5	895410-02830	7 - 49	900253-04010	12 - 38
433201-39332	12 - 5	895410-02830	8 - 49	900253-04010	7 - 38
433201-39332	7 - 5	895811-00130	7 - 50	900253-04010	7 - 38
433201-39332	8 - 5	895811-00130	8 - 50	900253-04010	8 - 38
433208-35431	11 - 42	898510-39130	7 - 55	900253-04010	8 - 38
433208-35431	12 - 42	898510-39130	8 - 55	900253-04014	5 - 5
433208-35431	7 - 42	898548-14531	7 - 52	900253-05016	5 - 28
433208-35431	8 - 42	898548-14531	8 - 52	900268-05020	5 - 27
433209-35430	11 - 40	898568-14530	7 - 53	900296-03014	4 - 29
433209-35430	12 - 40	898568-14530	8 - 53	900330-30240	11 - 6
433209-35430	7 - 40	900105-04006	3 - 21	900330-30240	12 - 6
433209-35430	8 - 40	900105-04006	7 - 32	900330-30240	7 - 6
433310-38330	11 - 37	900105-05012	7 - 48	900330-30240	8 - 6
433310-38330	12 - 37	900105-05012	8 - 48	900330-40088	11 - 43
433310-38330	7 - 37	900105-05014	3 - 23	900330-40088	12 - 43
433310-38330	8 - 37	900162-04016	1 - 38	900330-40088	7 - 43
436001-37933	1 - 40	900162-04016	2 - 38	900330-40088	8 - 43
436001-39231	1 - 40	900162-04030	4 - 10	900342-25012	11 - 46
436001-39232	1 - 40	900162-05014	4 - 17	900342-25012	12 - 46
436001-39232	2 - 40	900162-05022	1 - 6	900342-25012	7 - 46
436005-38330	1 - 37	900162-05022	1 - 6	900342-25012	8 - 46
436005-38331	1 - 37	900162-05022	2 - 6	900345-40030	5 - 10
436005-38332	1 - 37	900162-05022	2 - 6	900500-00004	11 - 13
436005-38332	2 - 37	900162-05050	3 - 9	900500-00004	12 - 13
436018-38330	1 - 34	900209-05030	11 - 10	900500-00004	7 - 13
436018-38330	1 - 34	900209-05030	7 - 10	900500-00004	8 - 13
436018-38330	2 - 34	900220-03006	11 - 21	900500-00008	4 - 12
436018-38330	2 - 34	900220-03006	12 - 21	900560-00005	11 - 8
436019-38330	1 - 36	900220-03006	7 - 21	900560-00005	7 - 8
436019-38330	2 - 36	900220-03006	8 - 21	900562-50005	11 - 8
436114-13930	1 - 39	900220-04006	3 - 13	900562-50005	12 - 8
436114-13930	2 - 39	900220-04006	7 - 19	900562-50005	7 - 8
436205-14730	6 - 14	900220-04006	8 - 19	900562-50005	8 - 8
437002-38330	6 - 8	900220-05018	1 - 28	900580-00004	1 - 22
437063-38330	1 - 18	900220-05018	2 - 28	900580-00004	2 - 22
437063-38330	2 - 18	900223-04016	6 - 9	900603-00005	4 - 14
437210-11131	5 - 33	900238-04016	6 - 9	900605-00008	4 - 4
437210-38330	6 - 13	900238-04018	11 - 12	900720-00022	5 - 16
437229-38331	6 - 5	900238-04018	12 - 12	900721-00025	1 - 41
880200-38330	7 - 47	900238-04018	7 - 12	900721-00025	2 - 41
880200-38330	8 - 47	900238-04018	8 - 12	900725-02025	1 - 41
890157-39130	1 - 46	900238-05012	4 - 20	900888-36201	1 - 15
890157-39130	2 - 46	900238-05016	1 - 26	900888-36201	2 - 15

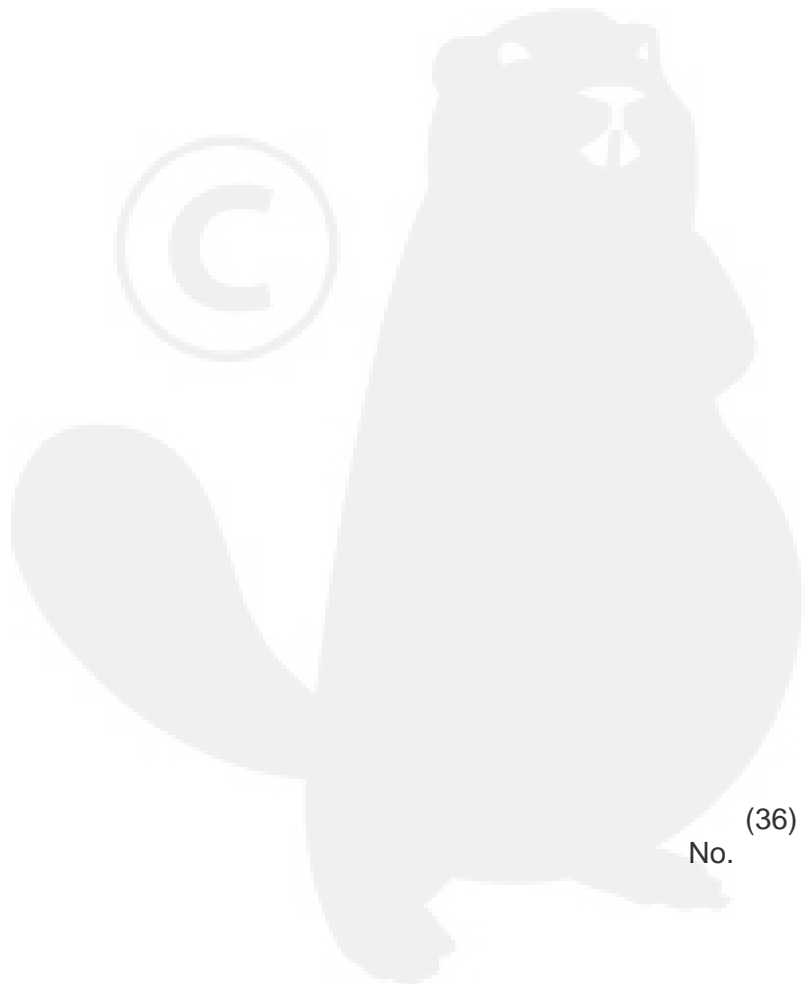
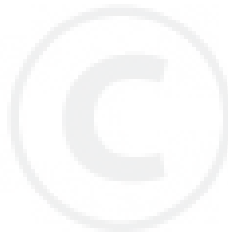
**Index**

<b>Patrs Number</b>	<b>Key No.</b>	<b>Patrs Number</b>	<b>Key No.</b>	<b>Patrs Number</b>	<b>Key No.</b>
91145-05016	5 - 28	P021-007050	7 - 64		
91145-05020	5 - 27	P021-007050	8 - 64		
91318-05032	11 - 10	P021-007060	7 - 61		
91318-05032	12 - 10	P021-007060	8 - 61		
91318-05032	7 - 10	P021-007290	1 - 13		
91318-05032	8 - 10	P021-007290	2 - 13		
A172-000060	4 - 18	P021-008610	3 - 20		
A172-000061	4 - 18	P021-010130	11 -		
A172-000062	4 - 18	P021-010131	12 -		
A241-000100	3 - 17	P021-010160	11 - 25		
A365-000050	1 - 44	P021-010160	12 - 25		
A365-000050	2 - 44	P021-010160	7 - 25		
A365-000050	5 - 15	P021-010161	8 - 25		
A409-000080	4 - 11	V150-001740	1 - 48		
A411-000030	4 - 9	V150-001740	2 - 48		
A411-000031	4 - 9	V162-000020	11 - 55		
A552-000060	7 - 62	V162-000020	7 - 55		
A552-000060	8 - 62	V203-000040	7 - 14		
A556-000170	7 - 34	V203-000041	7 - 14		
A556-000171	8 - 34	V203-000090	4 - 17		
C305-000000	11 - 22	V203-000110	11 - 14		
C305-000000	7 - 22	V203-000110	12 - 14		
C305-000001	11 - 22	V203-000110	7 - 14		
C305-000001	12 - 22	V203-000110	8 - 14		
C305-000001	7 - 22	V304-000090	11 - 66		
C305-000001	8 - 22	V304-000090	12 - 66		
C309-000030	7 - 15	V304-000090	7 - 66		
C309-000030	8 - 15	V304-000090	8 - 66		
C328-000060	11 - 45	V341-000090	2 - 49		
C328-000060	12 - 45	V355-000030	7 - 17		
C328-000060	8 - 45	V355-000270	7 - 17		
C450-000000	5 - 8	V355-000270	8 - 17		
C483-000000	3 - 31	V420-001130	3 - 2		
P003-000010	10 - 13	V451-000500	7 - 63		
P021-000480	11 - 23	V451-000500	8 - 63		
P021-000480	7 - 23	V505-000010	1 - 16		
P021-000481	11 - 23	V505-000010	2 - 16		
P021-000481	7 - 23	V651-000000	7 - 18		
P021-001290	11 - 23	V651-000001	7 - 18		
P021-001290	12 - 23	V651-000001	8 - 18		
P021-001290	7 - 23	V651-000010	7 - 16		
P021-001291	7 - 23	V651-000011	7 - 16		
P021-001292	8 - 23	V651-000011	8 - 16		
P021-003110	1 - 33	X502-000000	7 - 54		
P021-003110	2 - 33	X502-000000	8 - 54		
P021-004060	1 - 5	X502-000010	4 - 31		
P021-004060	2 - 5	X505-000180	2 - 50		
P021-006060	8 - 60				
P021-006830	2 - 20				

# YAMABIKO CORPORATION

7-2 SUEHIROCHO 1-CHOME, OHME, TOKYO 198-8760, JAPAN  
PHONE: 81-428-32-6118. FAX: 81-428-32-6145.

**ECHO**<sup>®</sup>



(36)  
No.