



# **PARTS CATALOG**

**CHAIN SAW**

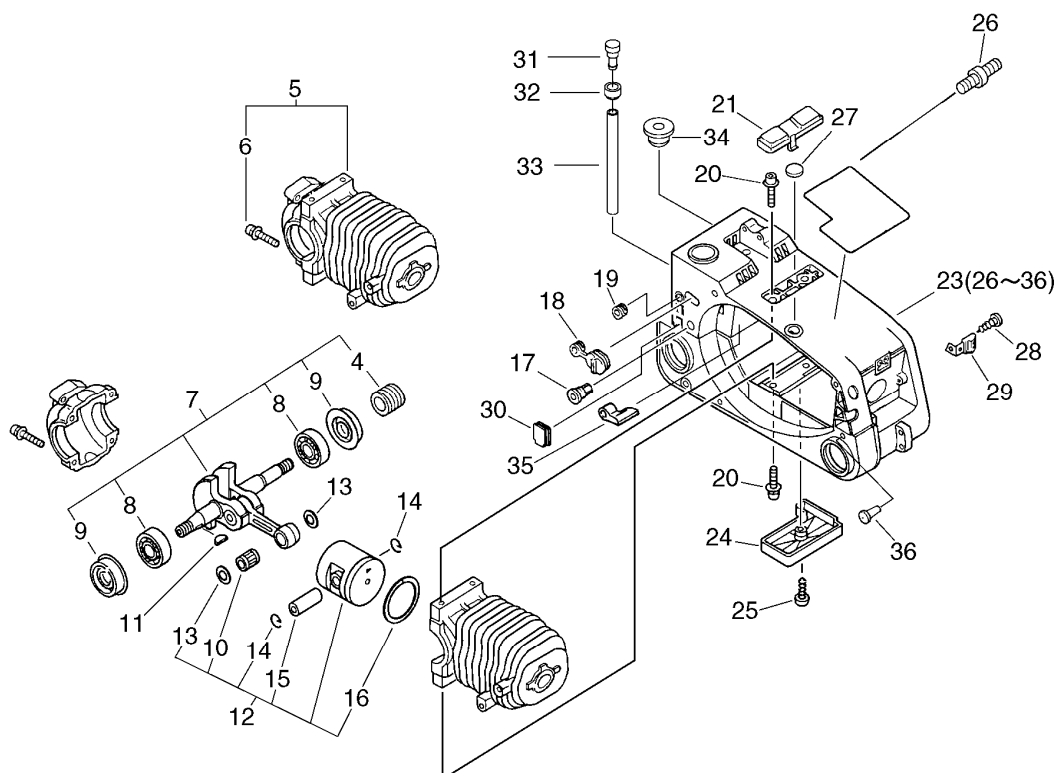
**CS-3450**



CS-3450

## 1. Cylinder, Crankcase, Piston

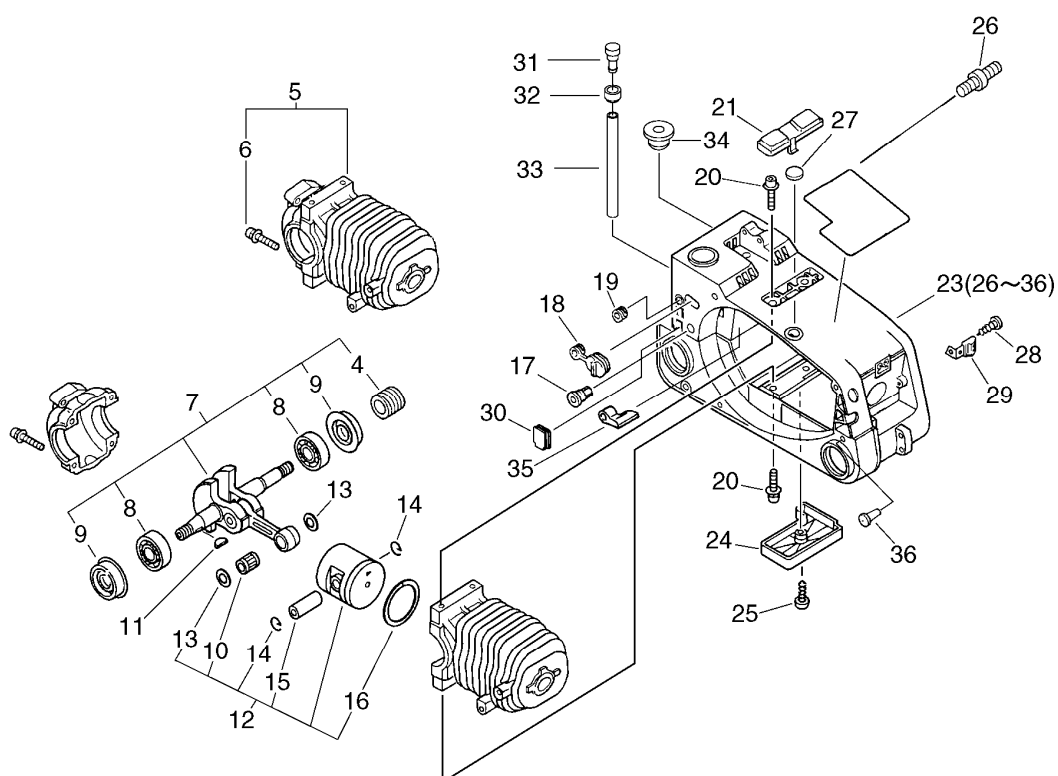
No.1



KEY	LV	PART NUMBER	Q'TY	DESCRIPTION	REMARKS	NOTE1	NOTE2
5		100202-39530	1	CRANKCASE SET		Sus. by 100202-70031	
5		100202-39431	1	CRANKCASE SET(ALFED)		Sus. by 100202-70031	
5		100202-70030	1	CRANKCASE SET		Sus. by 100202-70031	
5		100202-70031	1	CRANKCASE SET			
6	+	900238-05025	4	SCREW 5*25	5*25		
7		100101-39130	1	CRANKSHAFT ASSY		Sus. by 100101-39131	
7		100101-39131	1	CRANKSHAFT ASY			
4	+	437063-38330	1	GEAR, WORM			
8	+	900810-36201	2	BEARING, BALL 6201	6201/C3	Sus. by 94035-36201	
8	+	94035-36201	2	BEARING BALL	6201X3JR2C3		
9	+	100213-38330	2	OILSEAL	15Z=12*35*6.4		
11		100142-42030	1	KEY, WOODRUFF		Sus. by 100142-39130	
11		100142-39130	1	KEY, WOODRUFF			
12		100000-39530	1	PISTON KIT		Sus. by 100000-39230	
12		100000-39230	1	PISTON KIT			
10	+	175012-03930	1	BEARING, NEEDLE			
13	+	100014-11520	2	SPACER, PISTON PIN			
14	+	100015-04630	2	CIRCLIP, PISTON PIN			

## 1. Cylinder, Crankcase, Piston

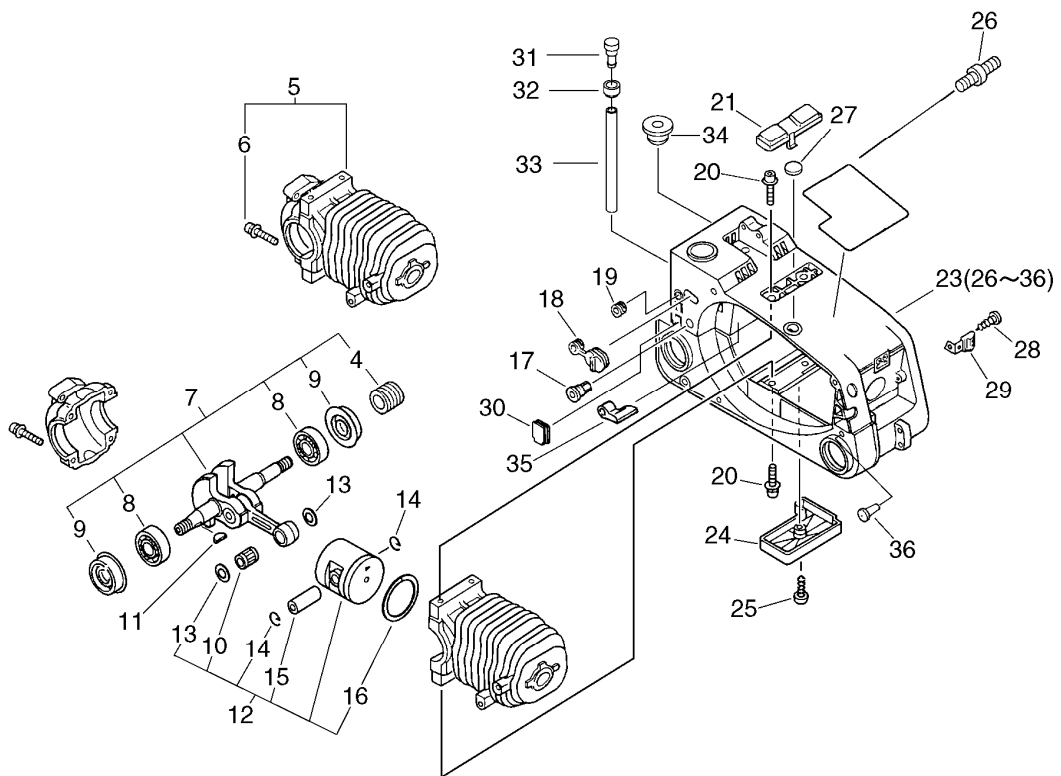
No.1



KEY	LV	PART NUMBER	Q'TY	DESCRIPTION	REMARKS	NOTE1	NOTE2
15	+	100013-15330	1	PIN, PISTON	5.5*8*29		
16	+	100011-13330	2	RING, PISTON			
17		129023-39130	1	GROMMET, IDLE		Sus. by 129023-39131	
17		129023-39131	1	GROMMET, IDLE			
18		129010-39130	1	GROMMET, NEEDLE		Sus. by 129010-39131	
18		129010-39131	1	GROMMET, NEEDLE			
19		178810-03330	1	GROMMET			
20		900106-05016	4	BOLT, H.S. 5*16	5*16		
21		104029-39130	1	PLUG, UPPER			
24		104044-39130	1	PLUG, LOWER			
25		900256-04016	1	SCREW 4*16	4*16		
23		104000-39131	1	COVER KIT, ENGINE		Sus. by 104000-39133	
23		104000-39132	1	COVER KIT, ENGINE		Sus. by 104000-39133	
23		104000-39133	1	COVER KIT, ENGINE			
26	+	433011-03931	2	STUD, GUIDE BAR			
27	+	163911-39130	1	PLUG			
28	+	900253-04010	1	SCREW 4*10	4*10		
29	+	104215-39131	1	LATCH			
30	+	104034-39130	1	PLUG			
31	+	131300-40630	1	VALVE, CHECK		Sus. by 131300-56430	
31	+	131300-56430	1	VALVE, CHECK			

# 1. Cylinder, Crankcase, Piston

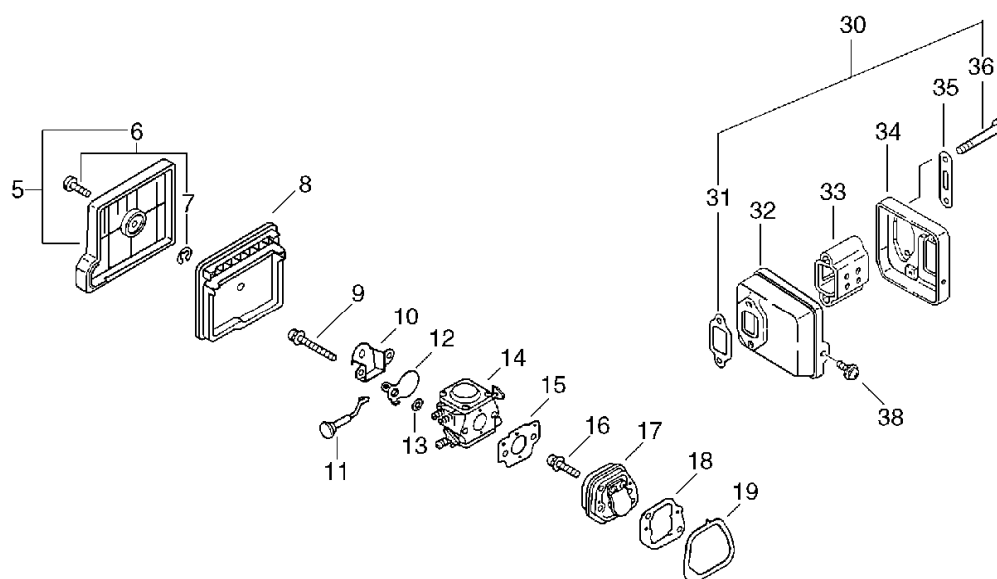
## No.1



KEY	LV	PART NUMBER	Q'TY	DESCRIPTION	REMARKS	NOTE1	NOTE2
32	+	131328-39130	1	COVER, VENT			
33	+	132010-39230	1	PIPE 3*5*100	3*5*100	Sus. by 132010-04920	
33	+	132010-04920	1	PIPE, FUEL	3*5*150L NBR		
34	+	132115-39130	1	GROMMET, FUEL			
35	+	130336-39530	1	PLUG			
36	+	436114-13930	1	VALVE, CHECK			

## 2. Air Cleaner, Muffler

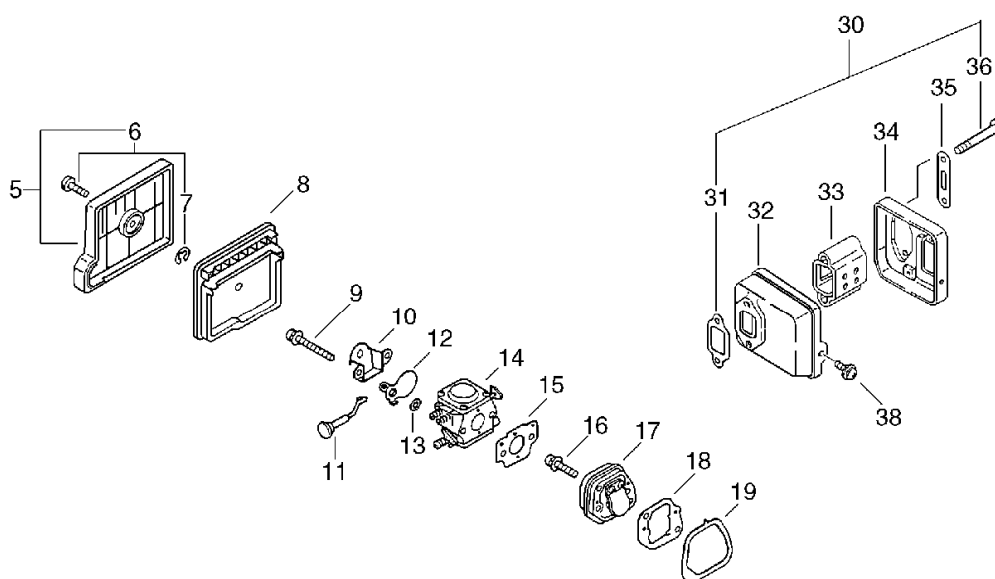
No.2



KEY	LV	PART NUMBER	Q'TY	DESCRIPTION	REMARKS	NOTE1	NOTE2
5		130302-39132	1	COVER ASSY, AIR CLN.		Sus. by 130302-39136	
5		130302-39133	1	COVER ASSY, AIR CLN.		Sus. by 130302-39136	
5		130302-39134	1	COVER ASY, A.CLEANER		Sus. by 130302-39136	
5		130302-39135	1	COVER ASY, A.CLEANER		Sus. by 130302-39136	
5		130302-39136	1	COVER ASY, A.CLEANER			
6	+	130406-13932	1	BOLT, THUMB		Sus. by 130406-13933	
6	+	130406-13933	1	BOLT, THUMB			
7	++	900700-00004	1	E-RING 4	CE-4		
8		130310-39131	1	FILTER, AIR		Sus. by 130310-39132	
8		130310-39132	1	FILTER, AIR			
9		900238-05045	2	SCREW 5*45	5*45		
10		129011-39130	1	PLATE, PREVENT			
11		178510-39130	1	ROD, CHOKE			
12		178515-15031	1	SHUTTER, CHOKE		Sus. by 178515-39130	
12		178515-39130	1	SHUTTER, CHOKE			
13		178516-03930	2	WASHER			
14		123000-39130	1	CARBURETOR ASSY	WT-248	Sus. by 123000-60131	

## 2. Air Cleaner, Muffler

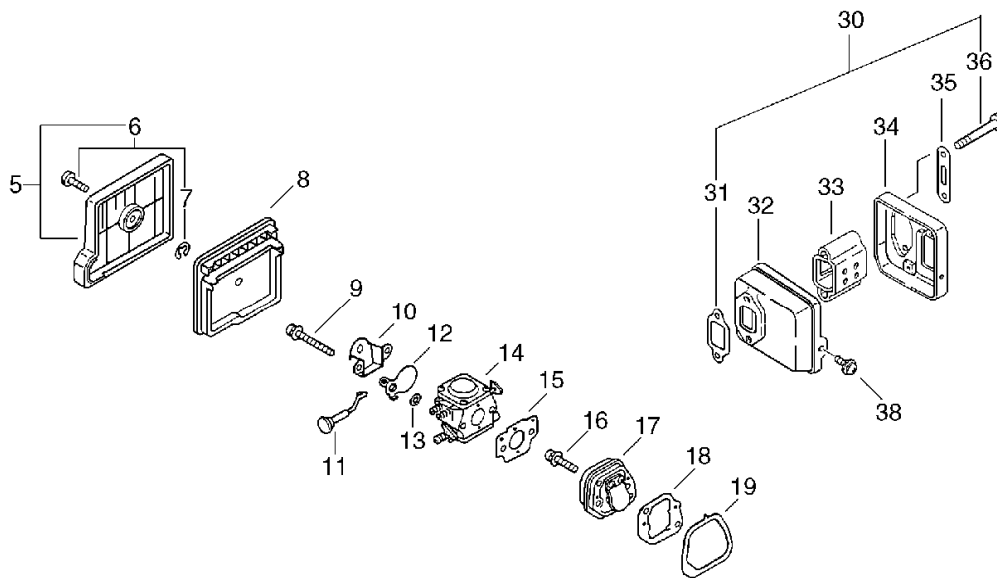
No.2



KEY	LV	PART NUMBER	Q'TY	DESCRIPTION	REMARKS	NOTE1	NOTE2
14		123000-39230	1	CARBURETOR ASSY	WT-271	Sus. by 123000-60131	
14		123000-39430	1	CARBURETOR ASSY	WT-254	Sus. by 123000-60131	
14		123000-39530	1	CARBURETOR ASSY	WT-261	Sus. by 123000-60131	
14		123001-39631	1	CARBURETOR ASSY	WT-381	Sus. by 123000-60131	
14		123000-60130	1	CARBURETOR WT-385	WT-385	Sus. by 123000-60131	
14		123000-60131	1	CARBURETOR WT-385A	WT-385A		
15		130016-39130	1	GASKET, INTAKE			
16		900250-05018	2	SCREW 5*18	5*18		
17		130000-39130	1	INSULATOR KIT		Sus. by P021-000010	
17		P021-000010	1	INSULATOR KIT			
18		130010-39130	1	GASKET, INTAKE			
19		130012-39130	1	SEAL		Sus. by 130012-39131	
19		130012-39131	1	SEAL			
30		145600-14931	1	MUFFLER ASSY			
31	+	145510-13931	1	GASKET, MUFFLER			
32	+	145858-13931	1	MUFFLER			
33	+	145859-13930	1	SILENCER			
34	+	145606-14931	1	LID, MUFFLER			
35	+	145642-13930	1	WASHER, MUFFLER			

## 2. Air Cleaner, Muffler

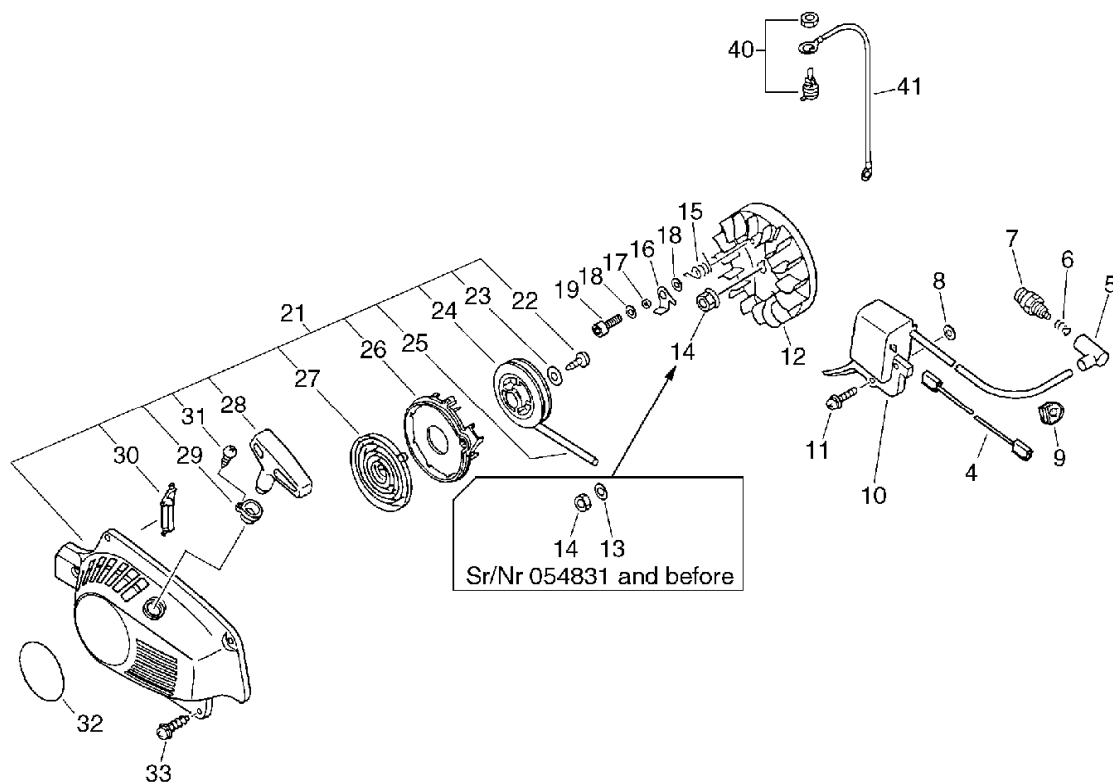
No.2



KEY	LV	PART NUMBER	Q'TY	DESCRIPTION	REMARKS	NOTE1	NOTE2
36	+	101023-13930	2	BOLT, MUFFLER			
38	+	900250-04008	1	SCREW 4*8	4*8		

### 3. Starter, Magneto

No.3

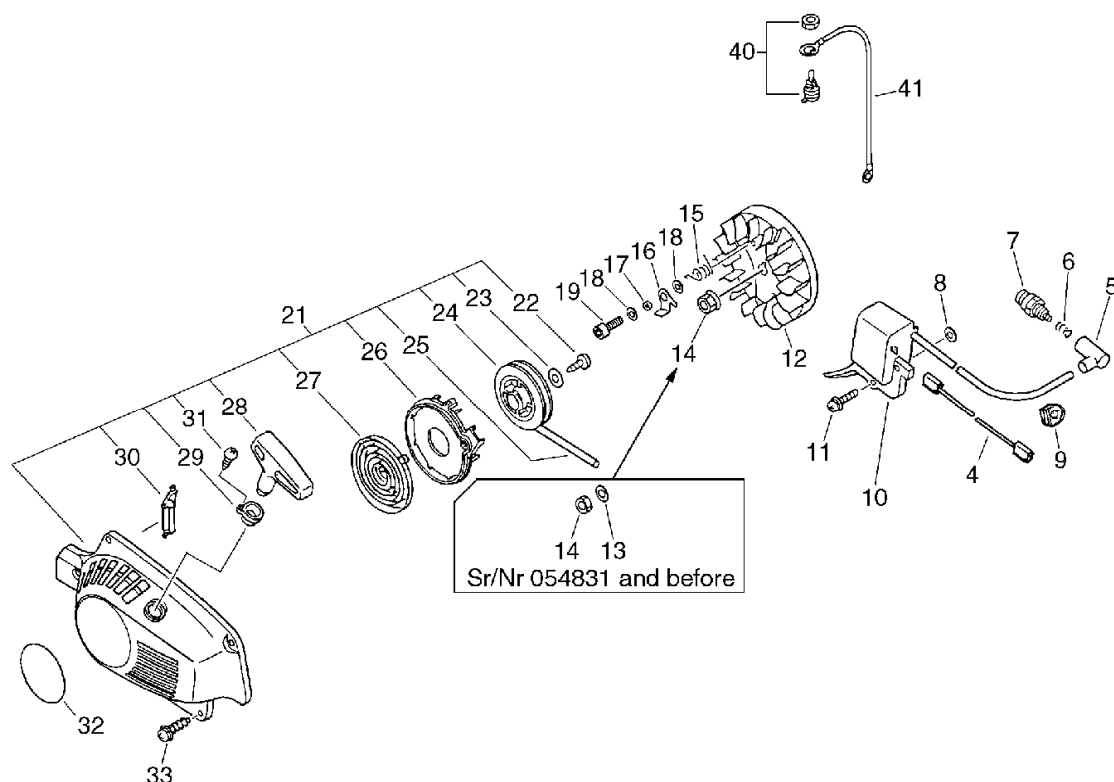


KEY	LV	PART NUMBER	Q'TY	DESCRIPTION	REMARKS	NOTE1	NOTE2
4		162010-39430	1	LEAD		Sus. by 162010-39431	
4		162010-39431	1	LEAD		Sr/Nr 012421 and after	
5		159012-01620	1	CAP, SPARK PLUG			
6		159011-03432	1	COIL, SPARK PLUG			
7		159010-10230	1	PLUG, SPARK (BPMR-7A)	BPMR-7A		
8		150117-16430	2	SPACER			
9		156110-04920	1	BUSHING			
10		156626-39130	1	COIL, IGNITION		Sr/Nr 012420 and before/CS-3450	
10		156626-39230	1	COIL, IGNITION		Sus. by A411-000150	
10		A411-000150	1	COIL,IGNITION		Sr/Nr 012421 and after	
11		900238-05020	2	SCREW 5*20	5*20	Sr/Nr 012420 and before	
11		900238-05022	2	SCREW 5*22	5*22	Sr/Nr 012421 and after	
12		156800-35630	1	ROTOR, MAGNETO		Sr/Nr 012420 and before	
12		156800-39231	1	ROTOR, MAGNETO		Sus. by 156800-39233	
12		156800-39232	1	ROTOR, MAGNETO		Sus. by 156800-39233	



## 3. Starter, Magneto

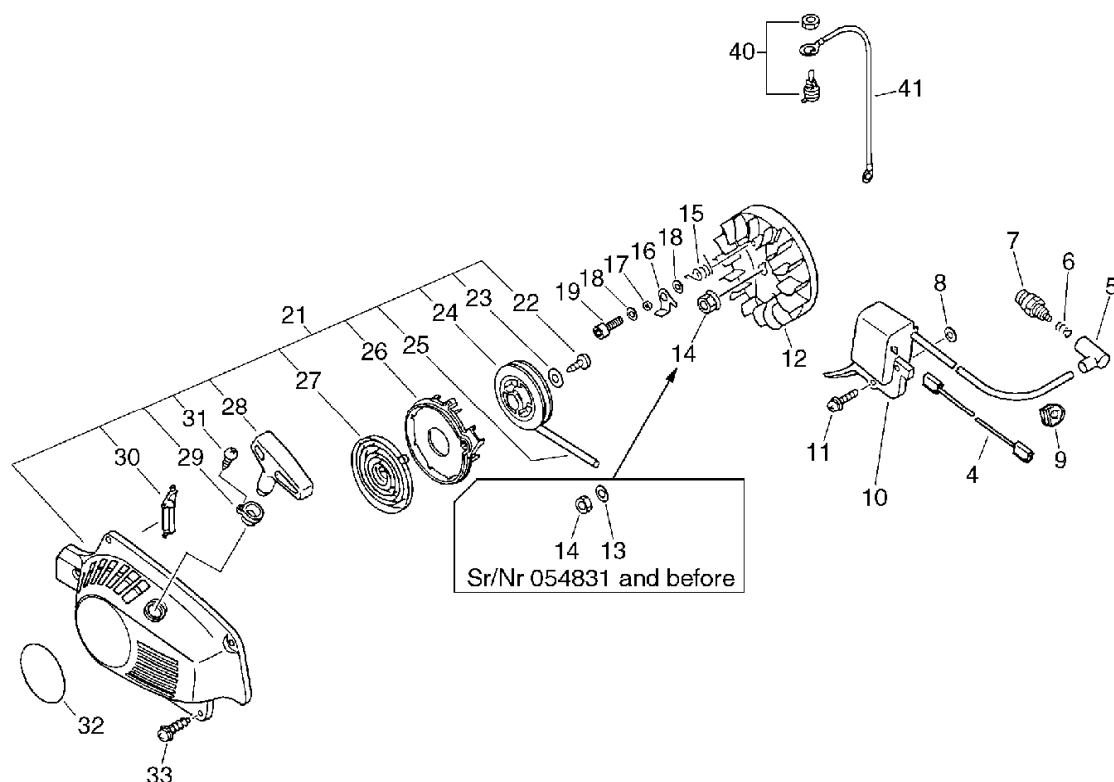
No.3



KEY	LV	PART NUMBER	Q'TY	DESCRIPTION	REMARKS	NOTE1	NOTE2
12		156800-39233	1	ROTOR, MAGNETO	EMG-51G C7979G	Sr/Nr 012421 and after	
13		900600-00008	1	WASHER 8	8		
14		900500-00008	1	NUT 8	8*P1.25		
15		177234-35430	2	SPRING, RETURN			
16		177218-35630	2	PAWL, STARTER		Sus. by A514-000000	
16		177218-35631	2	PAWL, STARTER		Sus. by A514-000000	
16		A514-000000	2	PAWL			
17		177247-04630	2	SPACER, RATCHET	5.2*8*2.1		
18		900603-00005	4	WASHER 5	5.5*12*0.8	Sus. by 900603-00005 Q'TY:2	
18		900603-00005	2	WASHER 5	5.5*12*0.8		
19		900216-05012	2	SCREW 5*12	5*12	Sus. by V203-000090	
19		900105-05014	2	BOLT, H.S. 5*14	5*14	Sus. by V203-000090	
19		V203-000090	2	BOLT,5	M5*14		
21		177200-39430	1	STARTER ASSY		Sus. by 177200-39432	
21		177200-39431	1	STARTER ASSY		Sus. by 177200-39432	
21		177200-39432	1	STARTER ASY			
22	+	900253-04014	1	SCREW 4*14	4*14		

## 3. Starter, Magneto

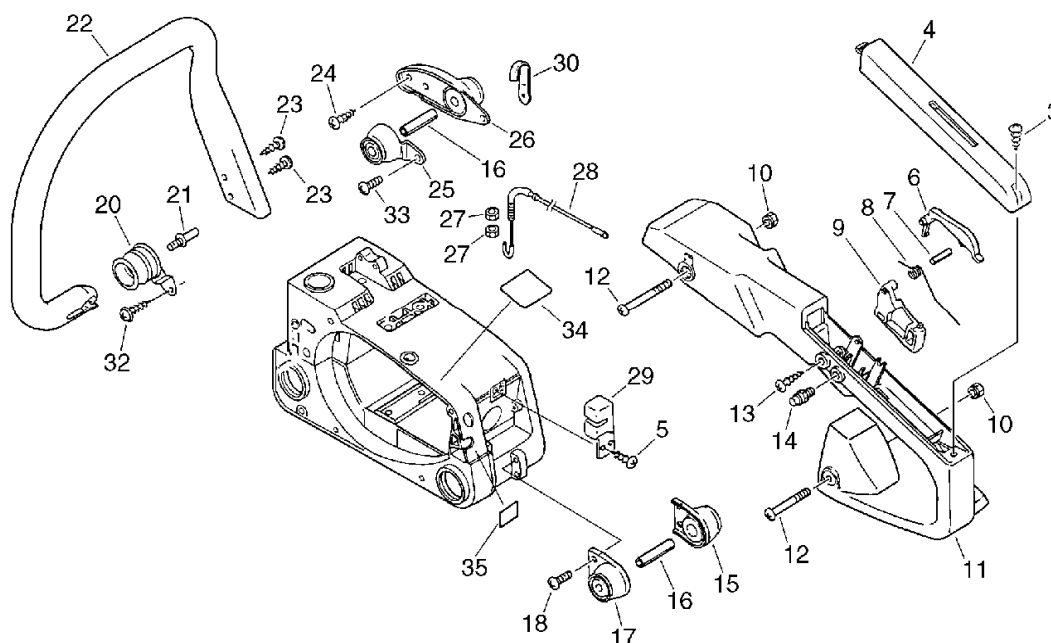
No.3



KEY	LV	PART NUMBER	Q'TY	DESCRIPTION	REMARKS	NOTE1	NOTE2
23	+	177214-04630	1	WASHER	4.1*15.5*1T		
24	+	177215-35630	1	DRUM, STARTER		Sus. by 177215-35632	
24	+	177215-35631	1	DRUM, STARTER		Sus. by 177215-35632	
24	+	177215-35632	1	REEL, ROPE			
25	+	177226-06530	1	ROPE, STARTER	3.0*850		
26	+	177221-35631	1	PLATE, STARTER			
27	+	177220-35430	1	SPRING, REWIND			
28	+	177228-35430	1	GRIP, STARTER (BL)			
29	+	177227-39130	1	GUIDE, ROPE (BL)		Sus. by 177227-39131	
29	+	177227-39131	1	GUIDE, ROPE BL			
30	+	177256-39130	1	PLUG			
31	+	900253-03010	1	SCREW 3*10	3*10	Sus. by 900296-03014	
31	+	900296-03014	1	SCREW 3*14	3*14 SUS		
32		890118-49330	1	LABEL, ECHO			
33		900256-04016	4	SCREW 4*16	4*16		
40		163400-19830	1	SWITCH, IGNITION			
41		162010-39130	1	LEAD, GROUND	100L	Sus. by 162010-39131	
41		162010-39131	1	LEAD, GROUD	100L		

## 4. Handle

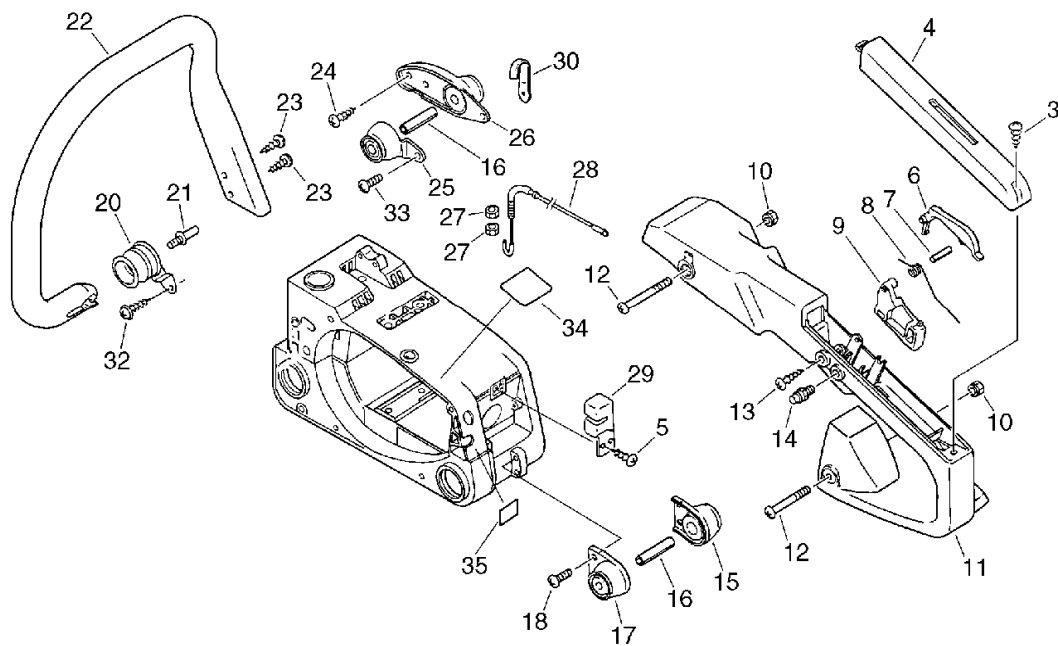
No. 4



KEY	LV	PART NUMBER	Q'TY	DESCRIPTION	REMARKS	NOTE1	NOTE2
3		900256-04022	1	SCREW 4*22	4*22		
4		351155-39430	1	COVER, HANDLE			
5		900253-04014	2	SCREW 4*14	4*14		
6		178090-39430	1	LOCKOUT, THROTTLE			
7		900330-40200	1	ROLLER 4*19.8	4*19.8		
8		178091-39430	1	SPRING, THR. LOCKOUT			
9		178010-39430	1	CONTROL, THROTTLE			
10		900516-00005	2	NUT, FRANGE 5	5		
11		351110-39530	1	HANDLE, REAR		Sus. by 351110-39431	
11		351110-39431	1	HANDLE, REAR			
12		900238-05057	2	SCREW 5*57	5*57		
13		900253-04025	1	SCREW 4*25	4*25		
14		178302-37930	1	LATCH, THROTTLE			
15		351621-39430	1	CUSHION (LOWER)			
16		100924-39430	2	COLLAR, 5			
17		351624-39430	1	CUSHION (LOWER)			
18		900238-04014	2	SCREW 4*14	4*14		
20		100910-35630	1	CUSHION			
21		100915-33930	1	SCREW			
22		351610-39430	1	HANDLE, FRONT			
23		900253-05020	2	SCREW 5*20	5*20		
24		900253-04014	2	SCREW 4*14	4*14		
25		100917-39431	1	CUSHION (UPPER)			
26		100910-39430	1	CUSHION (UPPER)			
27		900502-00006	2	NUT 6 (3N)	3N6		

## 4. Handle

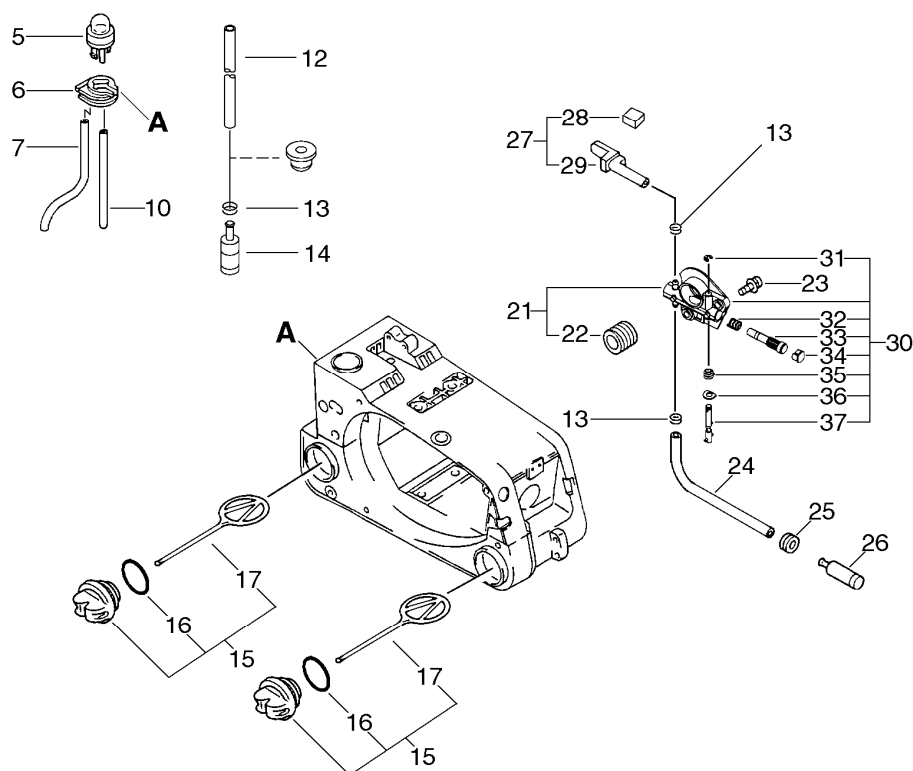
No. 4



KEY	LV	PART NUMBER	Q'TY	DESCRIPTION	REMARKS	NOTE1	NOTE2
28		178001-39430	1	WIRE, THROTTLE			
29		100921-39430	1	CUSHION			
30		159113-18430	1	CLIP			
32		900256-04016	1	SCREW 4*16	4*16		
33		900238-04010	1	SCREW 4*10	4*10		
34		890345-39230	1	LABEL, CAUTION			
35		890157-39130	1	LABEL, SWITCH			

## 5. Auto-Oiler

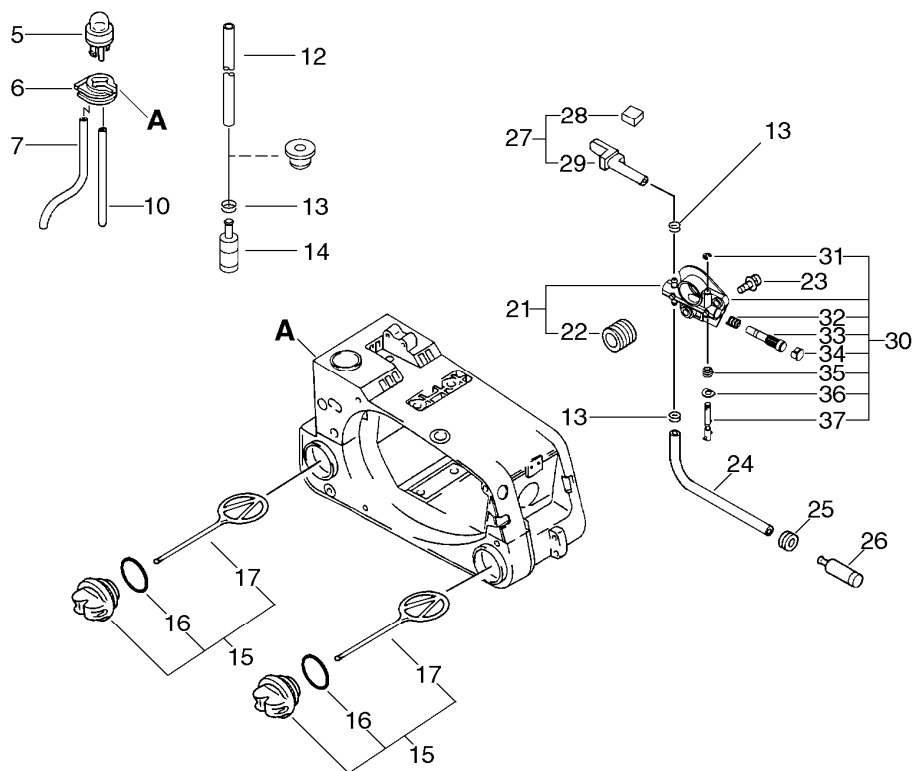
No.5



KEY	LV	PART NUMBER	Q'TY	DESCRIPTION	REMARKS	NOTE1	NOTE2
5		123181-39130	1	PUMP, PRIMER			
6		132758-39130	1	BRACKET, PUMP		Sus. by 132758-39131	
6		132758-39131	1	BRACKET, PUMP			
7		132716-39130	1	PIPE 2*4*42	2*4*42		
10		131312-44330	1	PIPE, 3*5*70L	3*5*70L NBR	Sus. by V471-001200	
10		131312-39130	1	PIPE	3*5*70(+3)NBR	Sus. by V471-001200	
10		131312-44330	1	PIPE, 3*5*70L	3*5*70L NBR	Sus. by V471-001200	
10		V471-001200	1	PIPE	3*5*70 NBR		
12		132012-39130	1	PIPE	3*6*80 NBR		
13		132013-26630	3	CLIP	6.5MM		
14		131205-14930	1	STRAINER, FUEL			
15		436001-39131	2	CAP ASSY, TANK			
16	+	900721-00025	2	O-RING 25	G-25		
17	+	131051-19830	2	LINK	60L		
21		437000-39130	1	AUTO-OILER ASSY			
22	+	437063-38330	1	GEAR, WORM		Sus. by V652-000021	
22	+	V652-000020	1	GEAR, WORM		Sus. by V652-000021	
22	+	V652-000021	1	GEAR, WORM			
30	+	437002-39130	1	AUTO-OILER ASSY		Sus. by C022-000010	

# 5. Auto-Oiler

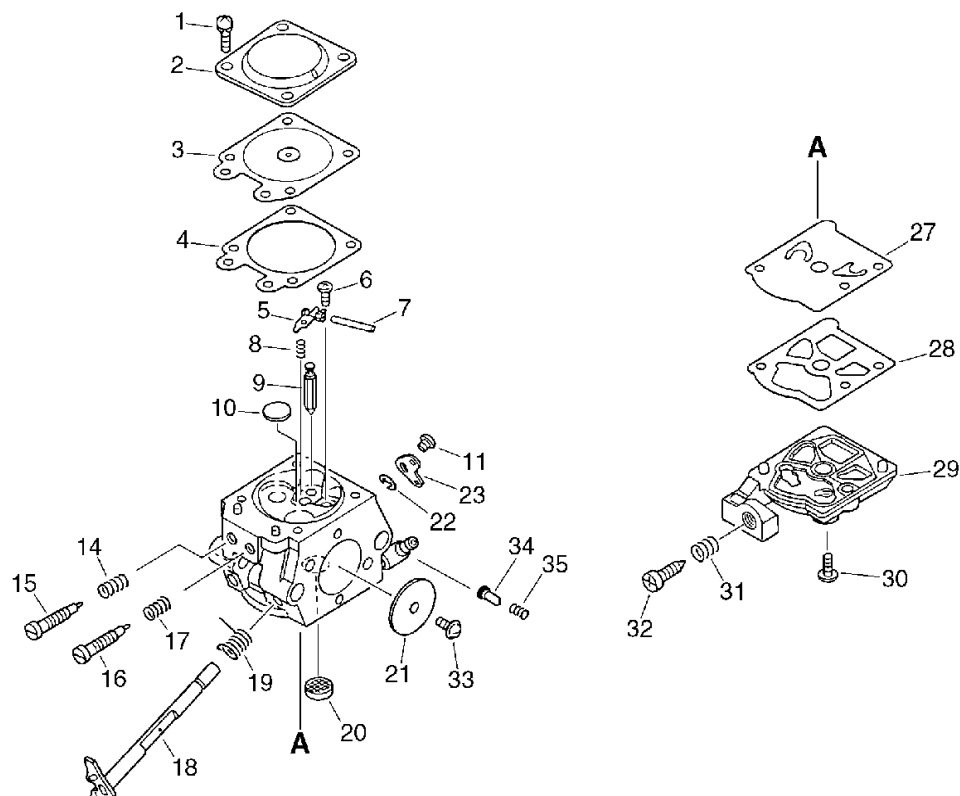
No.5



KEY	LV	PART NUMBER	Q'TY	DESCRIPTION	REMARKS	NOTE1	NOTE2
30	+	C022-000010	1	OILER,ASM AUTO			
31	++	123127-15030	1	RING			
32	++	437019-38330	1	SPRING			
33	++	437024-37330	1	PLUNGER			
34	++	437062-37330	1	CAP, OIL PUMP			
35	++	437015-37330	1	SPRING			
36	++	437029-37330	1	WASHER			
37	++	437016-39130	1	NEEDLE, ADJUST			
23		900235-05012	2	SCREW 5*12	5*12		
24		132012-35430	1	PIPE	3*6*115 NBR	Sus. by V471-000110	
24		V471-000110	1	PIPE	3*6*115		
25		132115-01461	1	GROMMET			
26		436205-02832	1	STRAINER, OIL			
27		437201-39130	1	PIPE KIT, OIL		Sus. by 437201-39131	
27		437201-39131	1	PIPE KIT, OIL			
28	+	437244-39130	1	PAD, FORM			
29	+	437211-39133	1	PIPE			

## 6. Carburetor

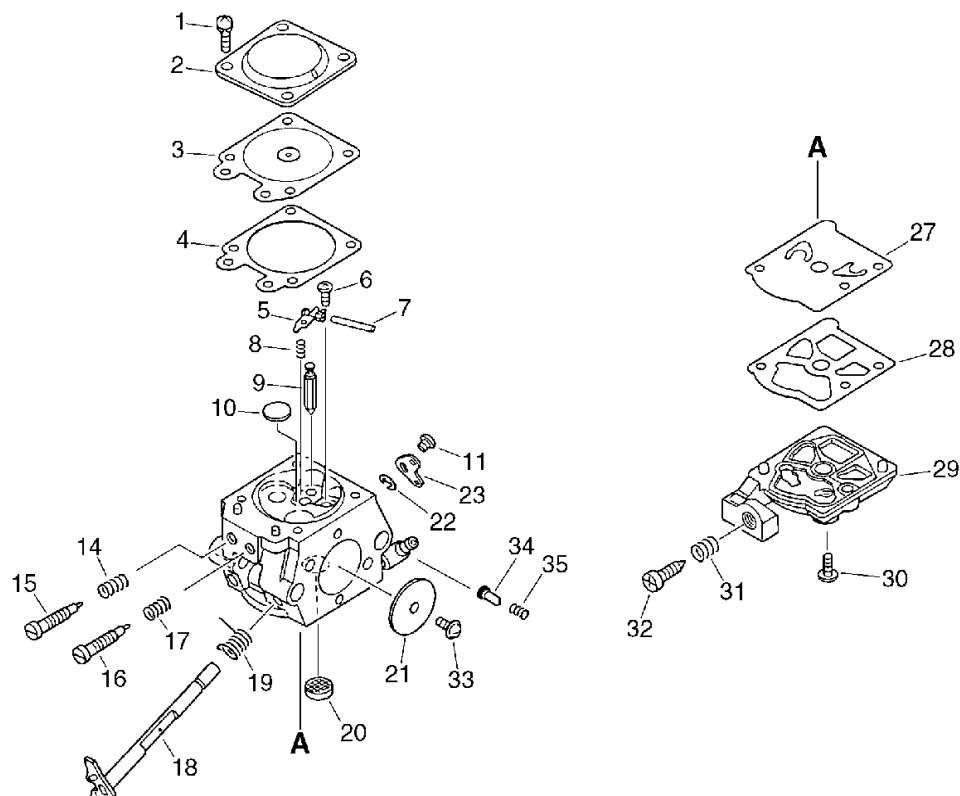
No.6



KEY	LV	PART NUMBER	Q'TY	DESCRIPTION	REMARKS	NOTE1	NOTE2
		123000-39130	1	CARBURETOR ASSY	WT-248	Sus. by 123000-60131	
		123000-39230	1	CARBURETOR ASSY	WT-271	Sus. by 123000-60131	
		123000-39430	1	CARBURETOR ASSY	WT-254	Sus. by 123000-60131	
		123000-39530	1	CARBURETOR ASSY	WT-261	Sus. by 123000-60131	
		123001-39631	1	CARBURETOR ASSY	WT-381	Sus. by 123000-60131	
		123000-60130	1	CARBURETOR WT-385	WT-385	Sus. by 123000-60131	
		123000-60131	1	CARBURETOR WT-385A	WT-385A		
1	+	123130-02960	4	SCREW			
2	+	123142-03930	1	COVER, M. DIAPHRAGM			
3	+	123141-03930	1	DIAPHRAGM, METERING			
4	+	123140-27230	1	GASKET, M. DIAPHRAGM			
5	+	123123-03930	1	LEVER, METERING			
6	+	123139-03930	1	SCREW, M. LEVER PIN			
7	+	123138-03930	1	PIN, METERING LEVER			
8	+	123122-06530	1	SPRING, METER. LEVER		Sr/Nr 002980 and before	
8	+	123122-03930	1	SPRING, METER. LEVER		Sr/Nr 002981 and after	
9	+	123137-04260	1	VALVE, INLET NEEDLE			
10	+	123146-10631	1	PLUG, WELCH			

## 6. Carburetor

No.6

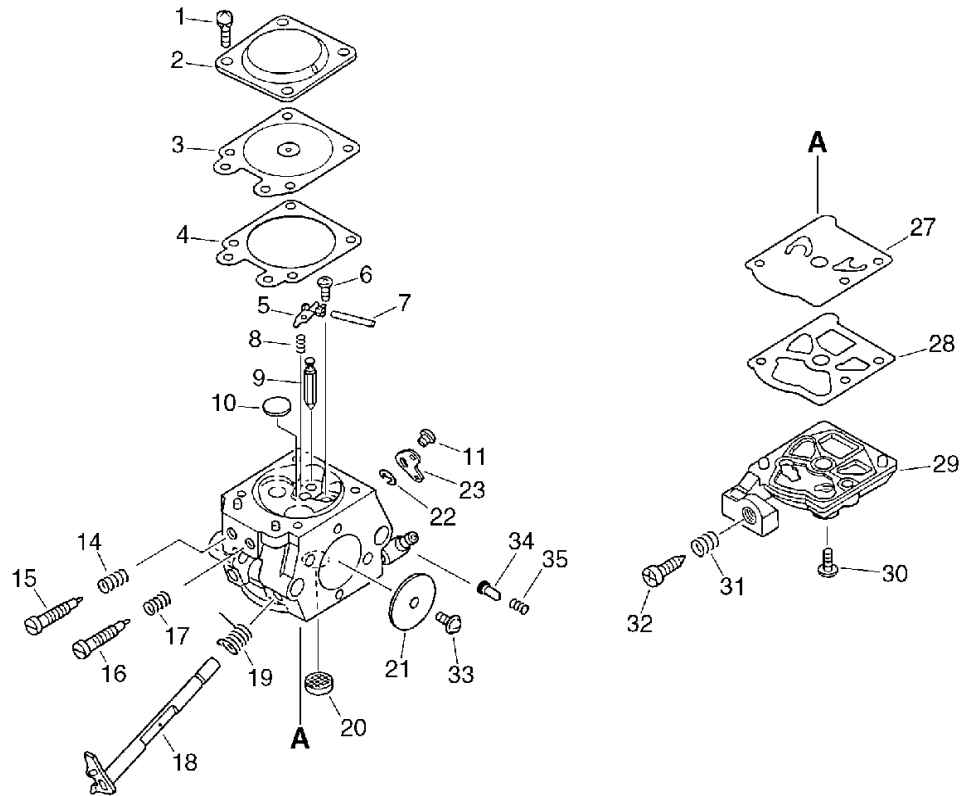


KEY	LV	PART NUMBER	Q'TY	DESCRIPTION	REMARKS	NOTE1	NOTE2
11	+	123114-03930	1	SCREW		Sus. by 123114-38830	
11	+	123114-38830	1	SCREW			
14	+	123119-22130	1	SPRING, NEEDLE			
15	+	123120-39530	1	NEEDLE, HIGH SPEED			
16	+	123118-24430	1	NEEDLE, IDLE			
17	+	123121-22130	1	SPRING, NEEDLE			
18	+	123117-37330	1	SHAFT, THROTTLE		Sr/Nr 002980 and before	
18	+	123117-39630	1	SHAFT, THROTTLE		Sr/Nr 002981 and after	
19	+	123113-47530	1	SPRING, THR. RTN.			
20	+	123126-10631	1	SCREEN, INLET			
21	+	123116-05230	1	VALVE, THROTTLE			
22	+	123127-15030	1	RING			
23	+	123150-39430	1	LEVER, THROTTLE		Sr/Nr 002980 and before	
23	+	123150-39230	1	LEVER, THROTTLE		Sr/Nr 002981 and after	
27	+	123112-15030	1	DIAPHRAGM, FUEL PUMP			
28	+	123125-15030	1	GASKET, FUEL PUMP		Sr/Nr 002980 and before	
28	+	123125-39630	1	GASKET, FUEL PUMP		Sr/Nr 002981 and after	
29	+	123124-09320	1	COVER, FUEL PUMP			
30	+	123110-03930	1	SCREW, PUMP COVER			



# 6. Carburetor

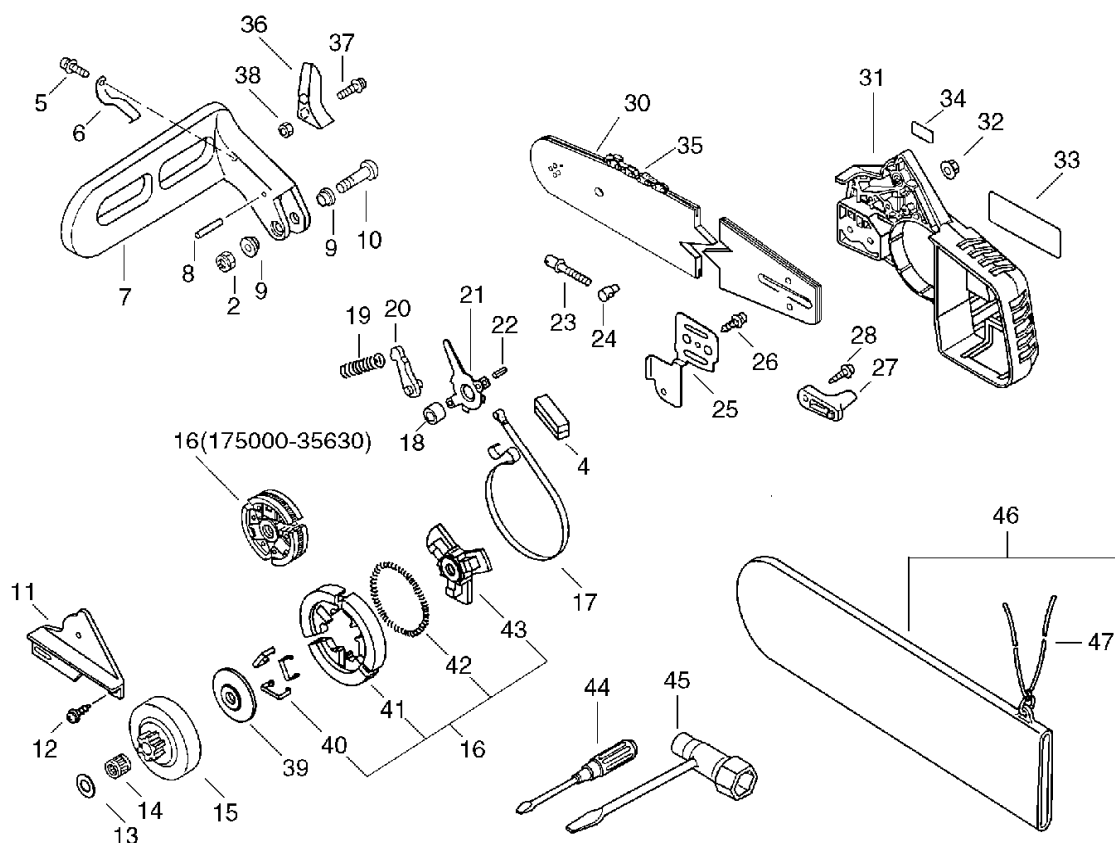
No.6



KEY	LV	PART NUMBER	Q'TY	DESCRIPTION	REMARKS	NOTE1	NOTE2
31	+	123133-11130	1	SPRING, IDLE ADJUST			
32	+	123134-19730	1	SCREW, IDLE ADJUST			
33	+	123114-38830	1	SCREW			
34	+	123185-39130	1	PISTON ASSY			
35	+	123186-34330	1	SPRING, START VALVE			

## 7. Clutch, Sprocket, Tools

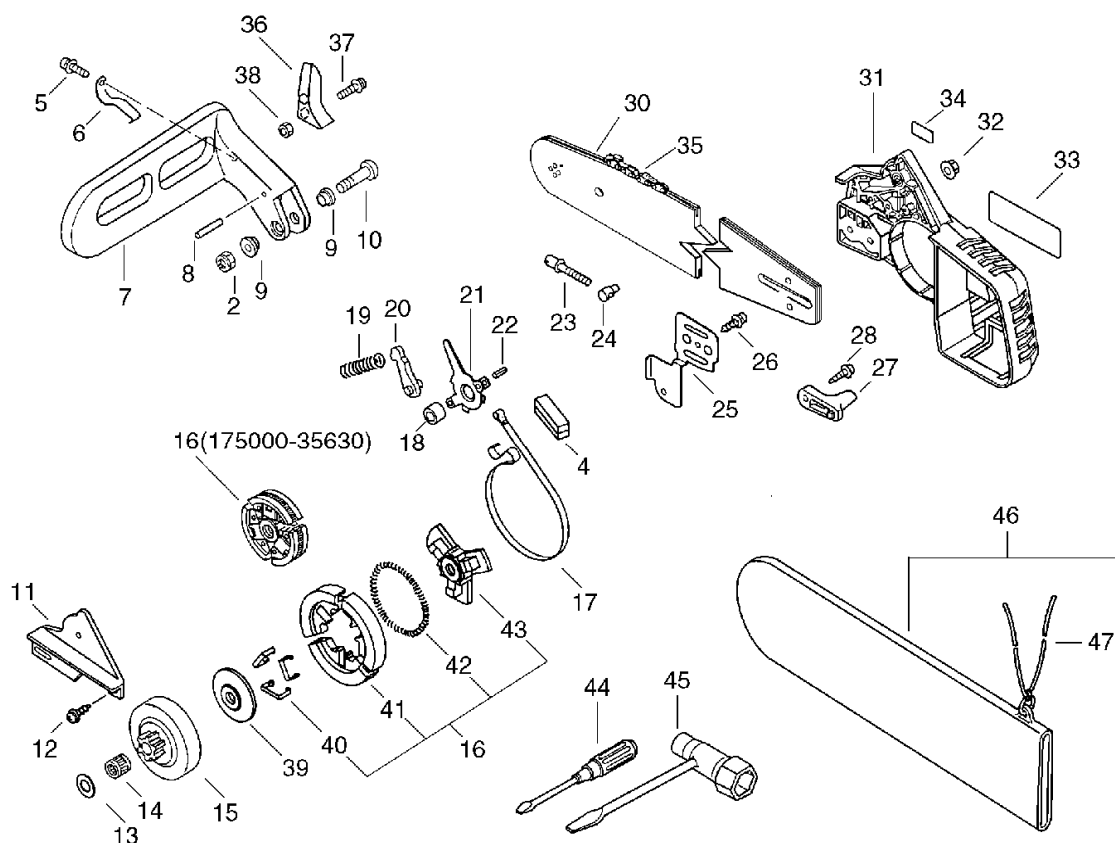
No.7



KEY	LV	PART NUMBER	Q'TY	DESCRIPTION	REMARKS	NOTE1	NOTE2
2		900560-00005	1	NUT, LOCK 5	5	Sus. by 900562-50005	
2		900562-50005	1	LOCKNUT 5	5		
4		433312-32630	1	COVER, SEAL			
5		900253-04010	1	SCREW 4*10	4*10		
6		433114-39130	1	SPRING			
7		433147-39530	1	LEVER, BRAKE		Sus. by 433147-39531	
7		433147-39531	1	LEVER, BRAKE			
8		900330-30240	1	PIN 3*24	3*23.8	Can be used on the Key No.7(obslete only)	
8		900330-40238	1	ROLLER 4*23.8	4*23.8	Can be used on the Key No.7(current only)	
9		433167-39130	2	SPACER			
10		900209-05030	1	SCREW, 5*30	5*30	Sus. by 91318-05032	
10		91318-05032	1	SCREW	5*32		
11		433310-39130	1	COVER, BRAKE			
12		900253-04010	3	SCREW 4*10	4*10	Sus. by 900253-04012	
12		900253-04012	3	SCREW	4*12		

## 7. Clutch, Sprocket, Tools

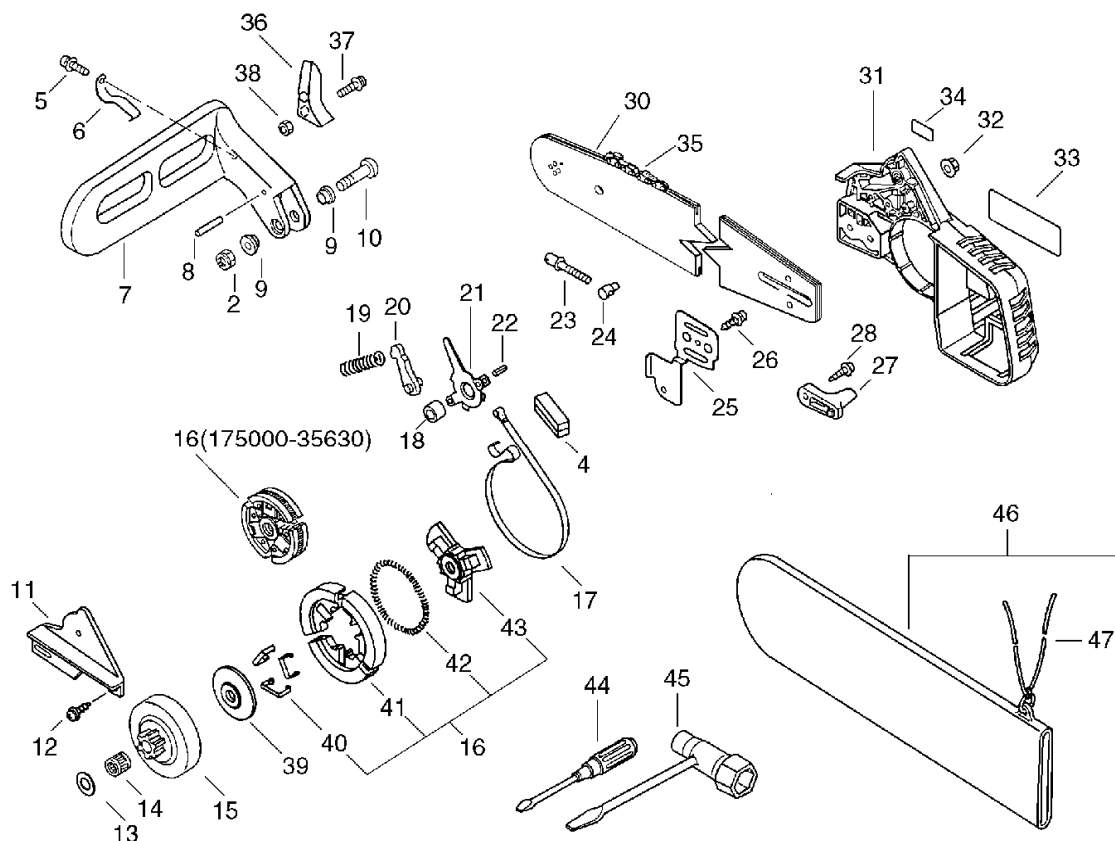
No.7



KEY	LV	PART NUMBER	Q'TY	DESCRIPTION	REMARKS	NOTE1	NOTE2
13		175014-39130	1	WASHER, CLUTCH	10.2*25*1.2	Sus. by 175014-39131	
13		175014-39131	1	WASHER, CLUTCH	10.2*24.5*1.2		
14		175012-35630	1	BEARING, NEEDLE	10*13*10		
15		175005-39131	1	DRUM, CLUTCH 3/8		Sus. by 175005-39132	
15		175005-39132	1	DRUM, CLUTCH	3/8A		
16		175000-35630	1	CLUTCH ASSY		Sr/Nr 015070 and before	
16		A056-000010	1	CLUTCH		Sr/Nr 015071 and after	
40	+	175022-59530	3	SPRING,FLAT		Sr/Nr 015071 and after	
41	+	P021-000270	1	CLUTCH SHOE SET		Sr/Nr 015071 and after	
42	+	175018-39430	1	SPRING, CLUTCH		Sr/Nr 015071 and after	
43	+	A552-000000	1	HUB,CLUTCH		Sr/Nr 015071 and after	
17		433123-39130	1	BAND, BRAKE			
18		433116-35430	1	SPACER 8	8*12*9		
19		433122-35430	1	SPRING, BRAKE			
20		433209-35430	1	STOPPER, BRAKE			
21		433208-35431	1	LEVER, BRAKE			
22		900330-40088	1	ROLLER 4*8.8	4*8.8		

## 7. Clutch, Sprocket, Tools

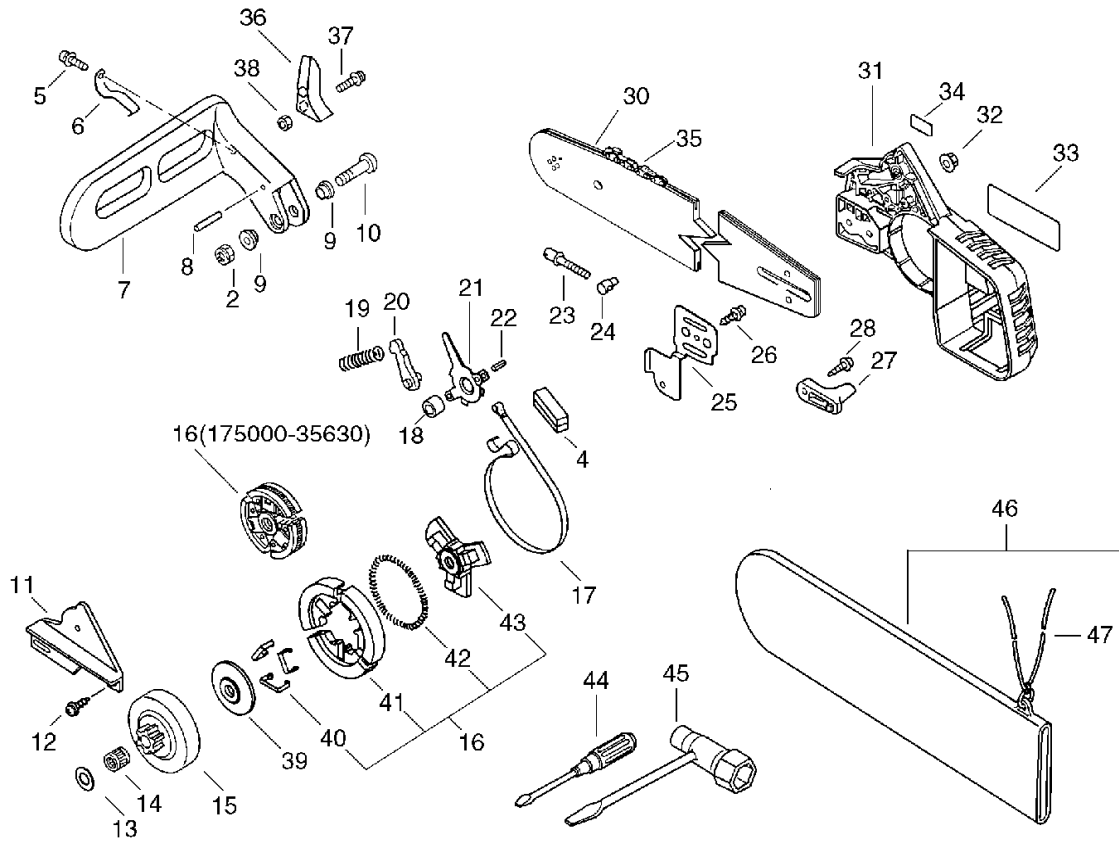
No.7



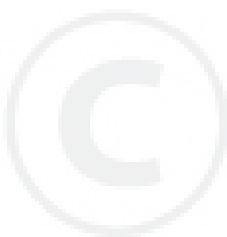
KEY	LV	PART NUMBER	Q'TY	DESCRIPTION	REMARKS	NOTE1	NOTE2
23		433016-39131	1	BOLT			
24		433014-03931	1	TENSIONER			
25		433012-39131	1	PLATE, GUIDE			
26		900253-04010	1	SCREW 4*10	4*10		
27		433026-35430	1	CATCHER, CHAIN			
28		900253-05020	1	SCREW 5*20	5*20		
30		430219-38730	1	BAR, GUIDE 35RC50-3/8	35RC50-3/8	Sus. by 430219-38731	
30		430219-38731	1	BAR, GUIDE 35RC503/8	35RC50-3/8		
31		433005-39133	1	GUARD, SPROCKET			
32		433019-03933	2	NUT, FLANGE 6	6		
33		890151-39530	1	LABEL, MODEL			
34		890316-39130	1	LABEL, CAUTION			
35		431010-39230	1	CHAIN, SAW 91VG-47E	91VG-47E 30C		
35		431019-39230	1	CHAIN, SAW 91VG-53E	91VG-53E 35C		
36		433171-39130	1	WEIGHT, BRAKE			
37		900238-04022	2	SCREW 4*22	4*22		
38		900500-00004	2	NUT 4	4		
39		175019-39430	1	PLATE, CLUTCH			
44		895812-03930	1	DRIVER, SCREW 50			
45		895410-03930	1	WRENCH, W/S. DRIVER			
46		898513-14531	1	SCABBARD, GUIDE BAR		Sus. by P021-004970	
46		P021-004970	1	SCABBARD, CHAIN	ㄅ		
47	+	898568-14530	1	ROPE	5*900	Sus. by 898568-30330	

# 7. Clutch, Sprocket, Tools

No.7

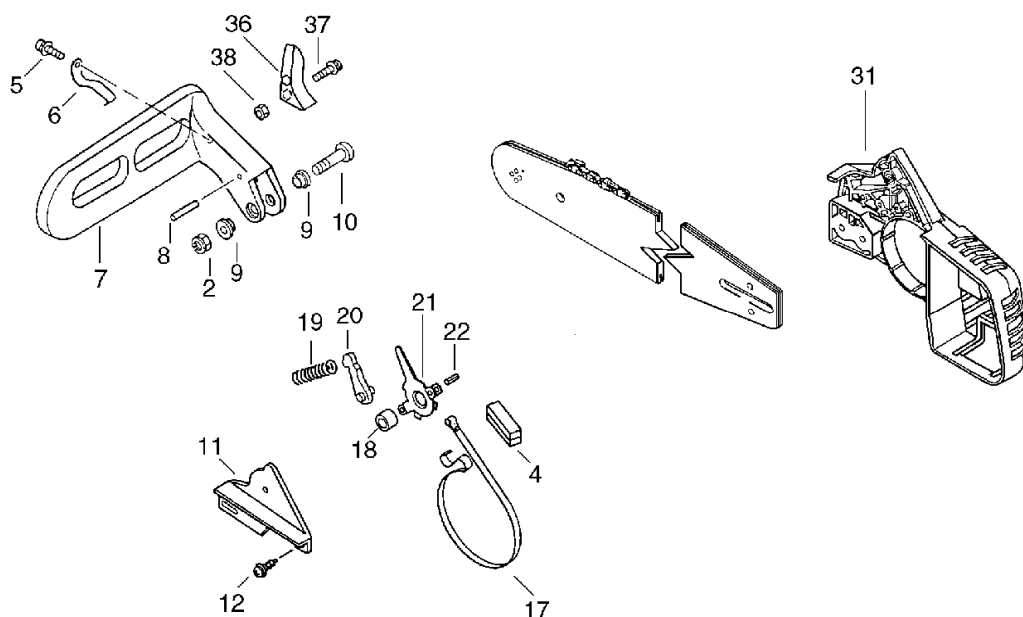


KEY	LV	PART NUMBER	Q'TY	DESCRIPTION	REMARKS	NOTE1	NOTE2
47	+	898568-30330	1	ROPE			



## 8. Chain Brake Asy

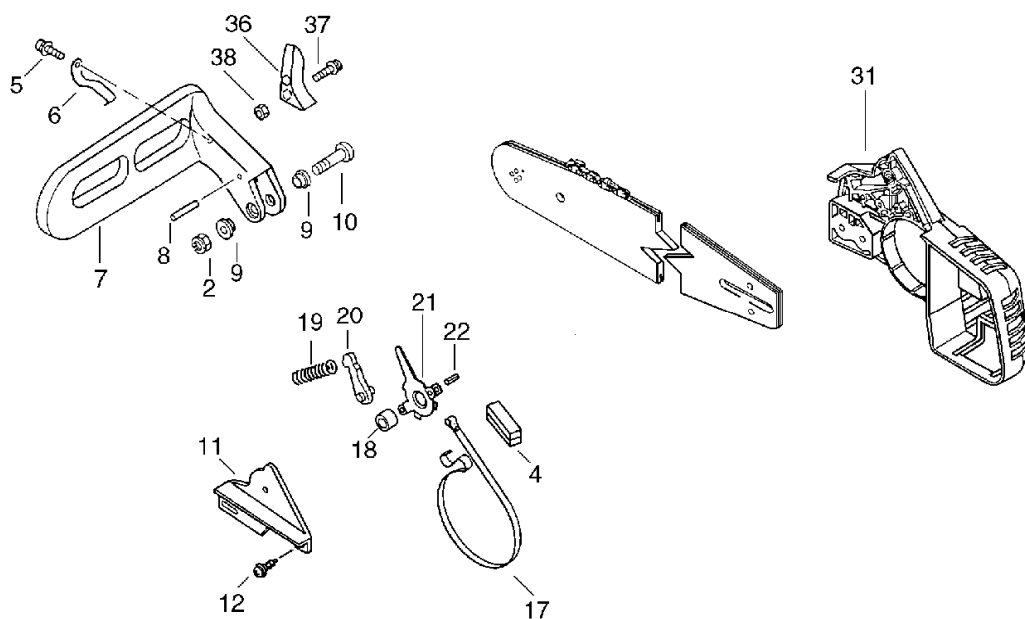
No.8



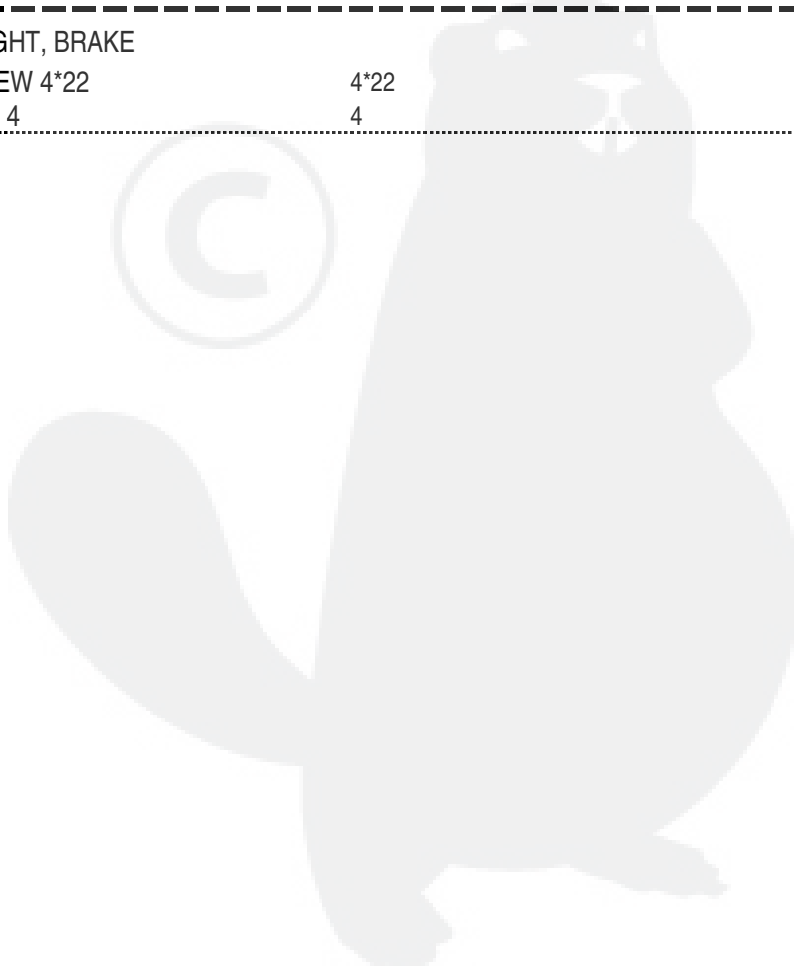
KEY	LV	PART NUMBER	Q'TY	DESCRIPTION	REMARKS	NOTE1	NOTE2
		433100-39530	1	BRAKE ASSY, CHAIN		Sus. by 433100-39531	
		433100-39531	1	BRAKE ASY, CHAIN			
2	+	900560-00005	1	NUT, LOCK 5	5	Sus. by 900562-50005	
2	+	900562-50005	1	LOCKNUT 5	5		
4	+	433312-32630	1	COVER, SEAL			
5	+	900253-04010	1	SCREW 4*10	4*10		
6	+	433114-39130	1	SPRING			
7	+	433147-39531	1	LEVER, BRAKE			
8	+	900330-40238	1	ROLLER 4*23.8	4*23.8		
9	+	433167-39130	2	SPACER			
10	+	900209-05030	1	SCREW, 5*30	5*30	Sus. by 91318-05032	
10	+	91318-05032	1	SCREW	5*32		
11	+	433310-39130	1	COVER, BRAKE			
12	+	900253-04010	3	SCREW 4*10	4*10	Sus. by 900253-04012	
12	+	900253-04012	3	SCREW	4*12		
17	+	433123-39130	1	BAND, BRAKE			
18	+	433116-35430	1	SPACER 8	8*12*9		
19	+	433122-35430	1	SPRING, BRAKE			
20	+	433209-35430	1	STOPPER, BRAKE			
21	+	433208-35431	1	LEVER, BRAKE			
22	+	900330-40088	1	ROLLER 4*8.8	4*8.8		
31	+	433005-39133	1	GUARD, SPROCKET			

# 8. Chain Brake Asy

No.8



KEY	LV	PART NUMBER	Q'TY	DESCRIPTION	REMARKS	NOTE1	NOTE2
36	+	433171-39130	1	WEIGHT, BRAKE			
37	+	900238-04022	2	SCREW 4*22	4*22		
38	+	900500-00004	2	NUT 4	4		



**Index**

<b>Patrs Number</b>	<b>Key No.</b>	<b>Patrs Number</b>	<b>Key No.</b>	<b>Patrs Number</b>	<b>Key No.</b>
100000-39230	1 - 12	123116-05230	6 - 21	130406-13932	2 - 6
100000-39530	1 - 12	123117-37330	6 - 18	130406-13933	2 - 6
100011-13330	1 - 16	123117-39630	6 - 18	131051-19830	5 - 17
100013-15330	1 - 15	123118-24430	6 - 16	131205-14930	5 - 14
100014-11520	1 - 13	123119-22130	6 - 14	131300-40630	1 - 31
100015-04630	1 - 14	123120-39530	6 - 15	131300-56430	1 - 31
100101-39130	1 - 7	123121-22130	6 - 17	131312-39130	5 - 10
100101-39131	1 - 7	123122-03930	6 - 8	131312-44330	5 - 10
100142-39130	1 - 11	123122-06530	6 - 8	131312-44330	5 - 10
100142-42030	1 - 11	123123-03930	6 - 5	131328-39130	1 - 32
100202-39431	1 - 5	123124-09320	6 - 29	132010-04920	1 - 33
100202-39530	1 - 5	123125-15030	6 - 28	132010-39230	1 - 33
100202-70030	1 - 5	123125-39630	6 - 28	132012-35430	5 - 24
100202-70031	1 - 5	123126-10631	6 - 20	132012-39130	5 - 12
100213-38330	1 - 9	123127-15030	5 - 31	132013-26630	5 - 13
100910-35630	4 - 20	123127-15030	6 - 22	132115-01461	5 - 25
100910-39430	4 - 26	123130-02960	6 - 1	132115-39130	1 - 34
100915-33930	4 - 21	123133-11130	6 - 31	132716-39130	5 - 7
100917-39431	4 - 25	123134-19730	6 - 32	132758-39130	5 - 6
100921-39430	4 - 29	123137-04260	6 - 9	132758-39131	5 - 6
100924-39430	4 - 16	123138-03930	6 - 7	145510-13931	2 - 31
101023-13930	2 - 36	123139-03930	6 - 6	145600-14931	2 - 30
104000-39131	1 - 23	123140-27230	6 - 4	145606-14931	2 - 34
104000-39132	1 - 23	123141-03930	6 - 3	145642-13930	2 - 35
104000-39133	1 - 23	123142-03930	6 - 2	145858-13931	2 - 32
104029-39130	1 - 21	123146-10631	6 - 10	145859-13930	2 - 33
104034-39130	1 - 30	123150-39230	6 - 23	150117-16430	3 - 8
104044-39130	1 - 24	123150-39430	6 - 23	156110-04920	3 - 9
104215-39131	1 - 29	123181-39130	5 - 5	156626-39130	3 - 10
123000-39130	2 - 14	123185-39130	6 - 34	156626-39230	3 - 10
123000-39130	6 -	123186-34330	6 - 35	156800-35630	3 - 12
123000-39230	2 - 14	129010-39130	1 - 18	156800-39231	3 - 12
123000-39230	6 -	129010-39131	1 - 18	156800-39232	3 - 12
123000-39430	2 - 14	129011-39130	2 - 10	156800-39233	3 - 12
123000-39430	6 -	129023-39130	1 - 17	159010-10230	3 - 7
123000-39530	2 - 14	129023-39131	1 - 17	159011-03432	3 - 6
123000-39530	6 -	130000-39130	2 - 17	159012-01620	3 - 5
123000-60130	2 - 14	130010-39130	2 - 18	159113-18430	4 - 30
123000-60130	6 -	130012-39130	2 - 19	162010-39130	3 - 41
123000-60131	2 - 14	130012-39131	2 - 19	162010-39131	3 - 41
123000-60131	6 -	130016-39130	2 - 15	162010-39430	3 - 4
123001-39631	2 - 14	130302-39132	2 - 5	162010-39431	3 - 4
123001-39631	6 -	130302-39133	2 - 5	163400-19830	3 - 40
123110-03930	6 - 30	130302-39134	2 - 5	163911-39130	1 - 27
123112-15030	6 - 27	130302-39135	2 - 5	175000-35630	7 - 16
123113-47530	6 - 19	130302-39136	2 - 5	175005-39131	7 - 15
123114-03930	6 - 11	130310-39131	2 - 8	175005-39132	7 - 15
123114-38830	6 - 11	130310-39132	2 - 8	175012-03930	1 - 10
123114-38830	6 - 33	130336-39530	1 - 35	175012-35630	7 - 14

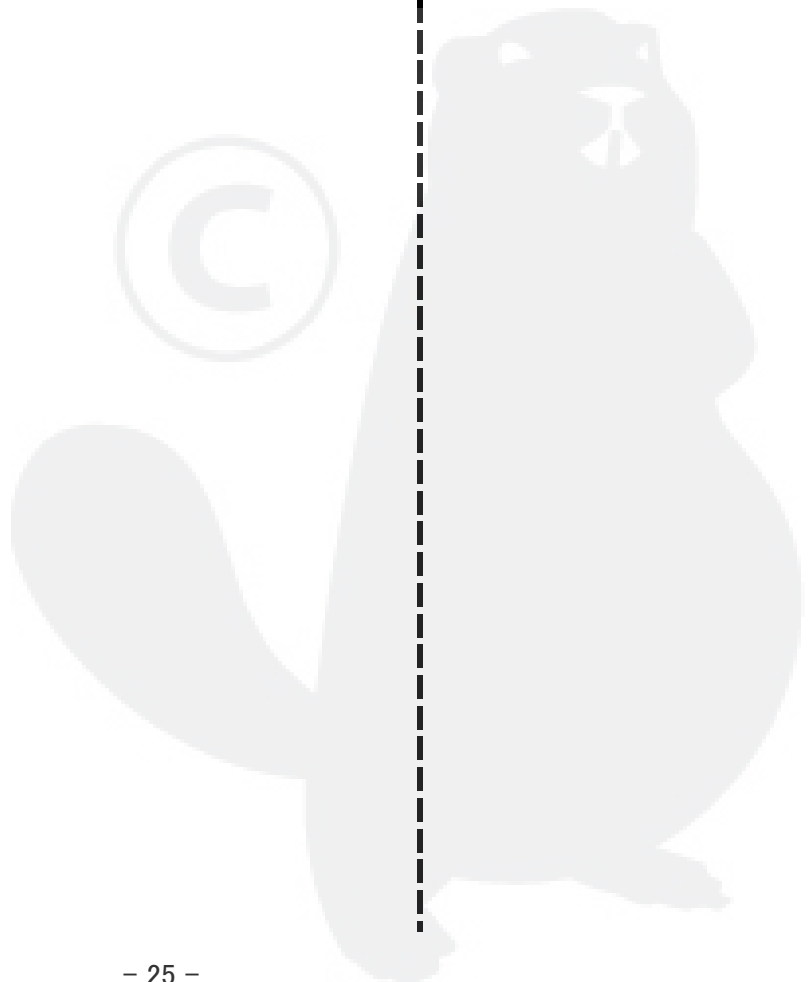
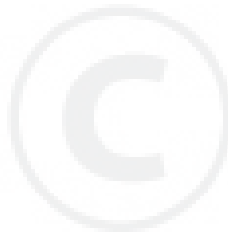


**Index**

<b>Patrs Number</b>	<b>Key No.</b>	<b>Patrs Number</b>	<b>Key No.</b>	<b>Patrs Number</b>	<b>Key No.</b>
175014-39130	7 - 13	433019-03933	7 - 32	895410-03930	7 - 45
175014-39131	7 - 13	433026-35430	7 - 27	895812-03930	7 - 44
175018-39430	7 - 42	433100-39530	8 -	898513-14531	7 - 46
175019-39430	7 - 39	433100-39531	8 -	898568-14530	7 - 47
175022-59530	7 - 40	433114-39130	7 - 6	898568-30330	7 - 47
177200-39430	3 - 21	433114-39130	8 - 6	900105-05014	3 - 19
177200-39431	3 - 21	433116-35430	7 - 18	900106-05016	1 - 20
177200-39432	3 - 21	433116-35430	8 - 18	900209-05030	7 - 10
177214-04630	3 - 23	433122-35430	7 - 19	900209-05030	8 - 10
177215-35630	3 - 24	433122-35430	8 - 19	900216-05012	3 - 19
177215-35631	3 - 24	433123-39130	7 - 17	900235-05012	5 - 23
177215-35632	3 - 24	433123-39130	8 - 17	900238-04010	4 - 33
177218-35630	3 - 16	433147-39530	7 - 7	900238-04014	4 - 18
177218-35631	3 - 16	433147-39531	7 - 7	900238-04022	7 - 37
177220-35430	3 - 27	433147-39531	8 - 7	900238-04022	8 - 37
177221-35631	3 - 26	433167-39130	7 - 9	900238-05020	3 - 11
177226-06530	3 - 25	433167-39130	8 - 9	900238-05022	3 - 11
177227-39130	3 - 29	433171-39130	7 - 36	900238-05025	1 - 6
177227-39131	3 - 29	433171-39130	8 - 36	900238-05045	2 - 9
177228-35430	3 - 28	433208-35431	7 - 21	900238-05057	4 - 12
177234-35430	3 - 15	433208-35431	8 - 21	900250-04008	2 - 38
177247-04630	3 - 17	433209-35430	7 - 20	900250-05018	2 - 16
177256-39130	3 - 30	433209-35430	8 - 20	900253-03010	3 - 31
178001-39430	4 - 28	433310-39130	7 - 11	900253-04010	1 - 28
178010-39430	4 - 9	433310-39130	8 - 11	900253-04010	7 - 5
178090-39430	4 - 6	433312-32630	7 - 4	900253-04010	7 - 12
178091-39430	4 - 8	433312-32630	8 - 4	900253-04010	7 - 26
178302-37930	4 - 14	436001-39131	5 - 15	900253-04010	8 - 5
178510-39130	2 - 11	436114-13930	1 - 36	900253-04010	8 - 12
178515-15031	2 - 12	436205-02832	5 - 26	900253-04012	7 - 12
178515-39130	2 - 12	437000-39130	5 - 21	900253-04012	8 - 12
178516-03930	2 - 13	437002-39130	5 - 30	900253-04014	3 - 22
178810-03330	1 - 19	437015-37330	5 - 35	900253-04014	4 - 5
351110-39431	4 - 11	437016-39130	5 - 37	900253-04014	4 - 24
351110-39530	4 - 11	437019-38330	5 - 32	900253-04025	4 - 13
351155-39430	4 - 4	437024-37330	5 - 33	900253-05020	4 - 23
351610-39430	4 - 22	437029-37330	5 - 36	900253-05020	7 - 28
351621-39430	4 - 15	437062-37330	5 - 34	900256-04016	1 - 25
351624-39430	4 - 17	437063-38330	1 - 4	900256-04016	3 - 33
430219-38730	7 - 30	437063-38330	5 - 22	900256-04016	4 - 32
430219-38731	7 - 30	437201-39130	5 - 27	900256-04022	4 - 3
431010-39230	7 - 35	437201-39131	5 - 27	900296-03014	3 - 31
431019-39230	7 - 35	437211-39133	5 - 29	900330-30240	7 - 8
433005-39133	7 - 31	437244-39130	5 - 28	900330-40088	7 - 22
433005-39133	8 - 31	890118-49330	3 - 32	900330-40088	8 - 22
433011-03931	1 - 26	890151-39530	7 - 33	900330-40200	4 - 7
433012-39131	7 - 25	890157-39130	4 - 35	900330-40238	7 - 8
433014-03931	7 - 24	890316-39130	7 - 34	900330-40238	8 - 8
433016-39131	7 - 23	890345-39230	4 - 34	900500-00004	7 - 38

**Index**

<b>Patrs Number</b>	<b>Key No.</b>	<b>Patrs Number</b>	<b>Key No.</b>	<b>Patrs Number</b>	<b>Key No.</b>
900500-00004	8 - 38				
900500-00008	3 - 14				
900502-00006	4 - 27				
900516-00005	4 - 10				
900560-00005	7 - 2				
900560-00005	8 - 2				
900562-50005	7 - 2				
900562-50005	8 - 2				
900600-00008	3 - 13				
900603-00005	3 - 18				
900603-00005	3 - 18				
900700-00004	2 - 7				
900721-00025	5 - 16				
900810-36201	1 - 8				
91318-05032	7 - 10				
91318-05032	8 - 10				
94035-36201	1 - 8				
A056-000010	7 - 16				
A411-000150	3 - 10				
A514-000000	3 - 16				
A552-000000	7 - 43				
C022-000010	5 - 30				
P021-000010	2 - 17				
P021-000270	7 - 41				
P021-004970	7 - 46				
V203-000090	3 - 19				
V471-000110	5 - 24				
V471-001200	5 - 10				
V652-000020	5 - 22				
V652-000021	5 - 22				



# YAMABIKO CORPORATION

7-2 SUEHIROCHO 1-CHOME, OHME, TOKYO 198-8760, JAPAN  
PHONE: 81-428-32-6118. FAX: 81-428-32-6145.

**ECHO**®



3450  
No.