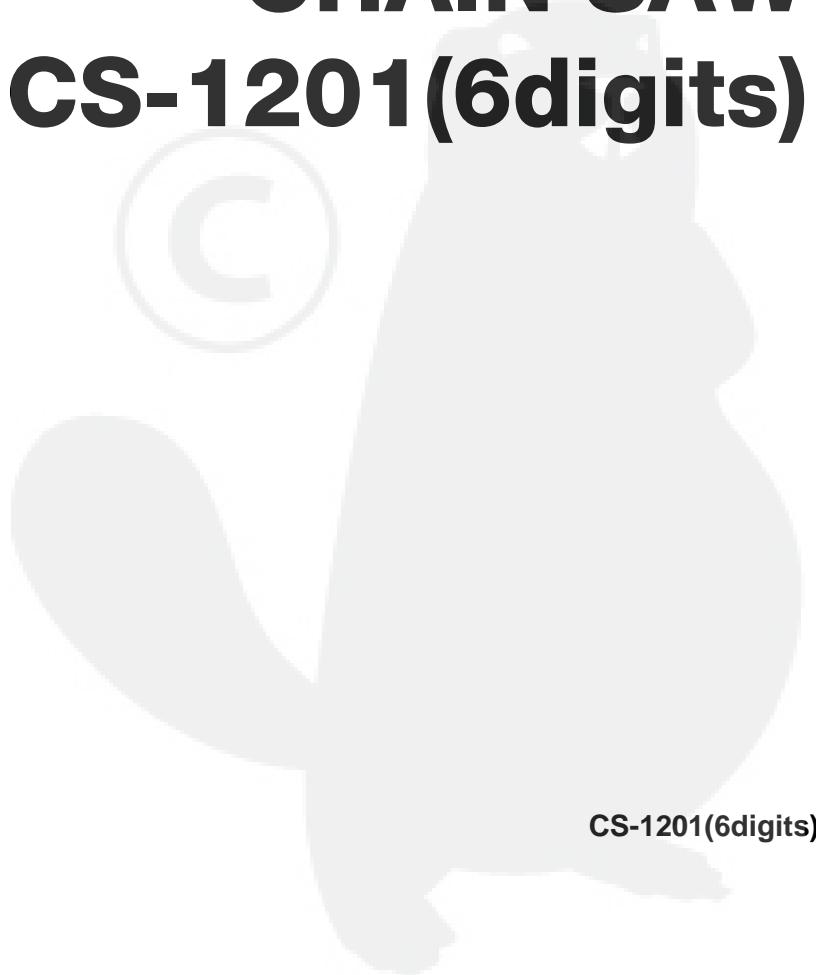




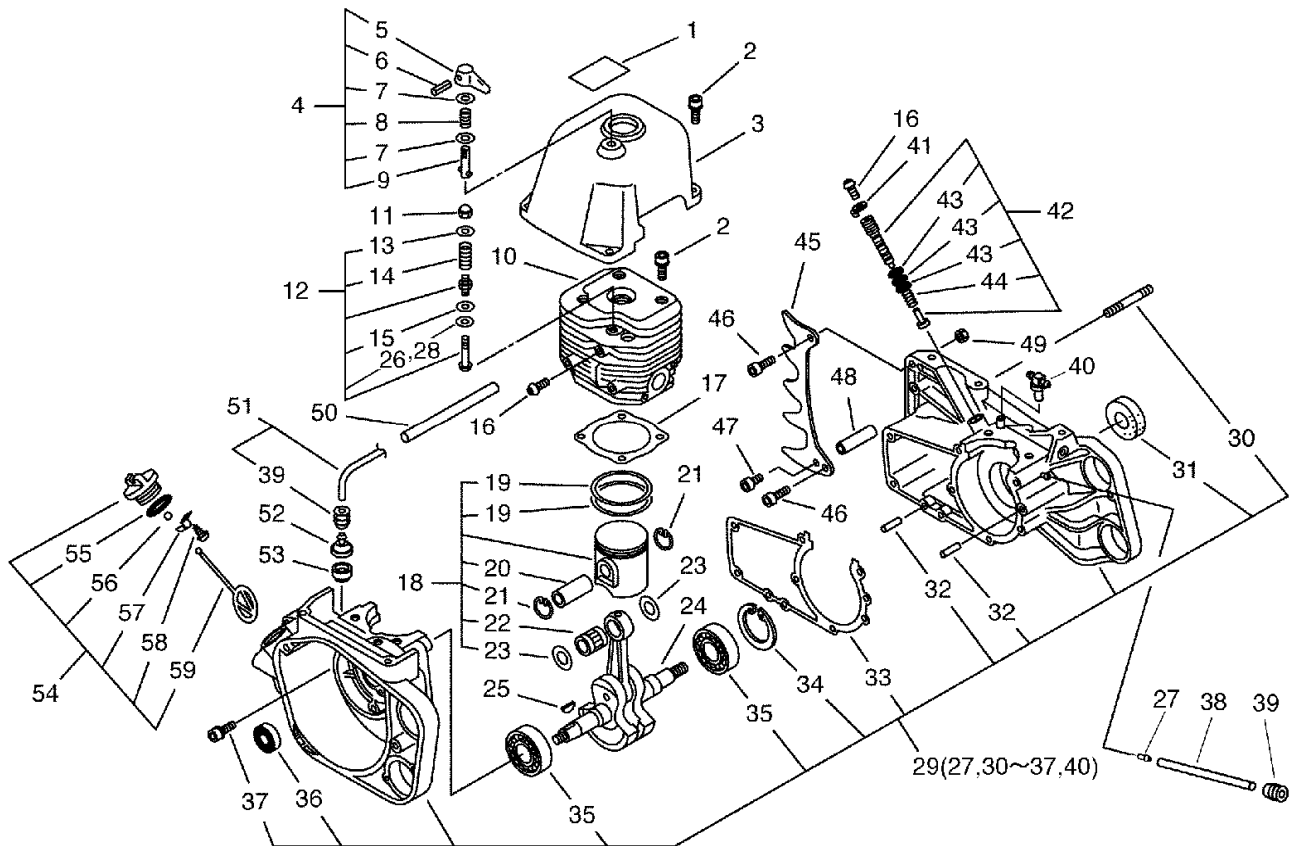
PARTS CATALOG

CHAIN SAW CS-1201(6digits)



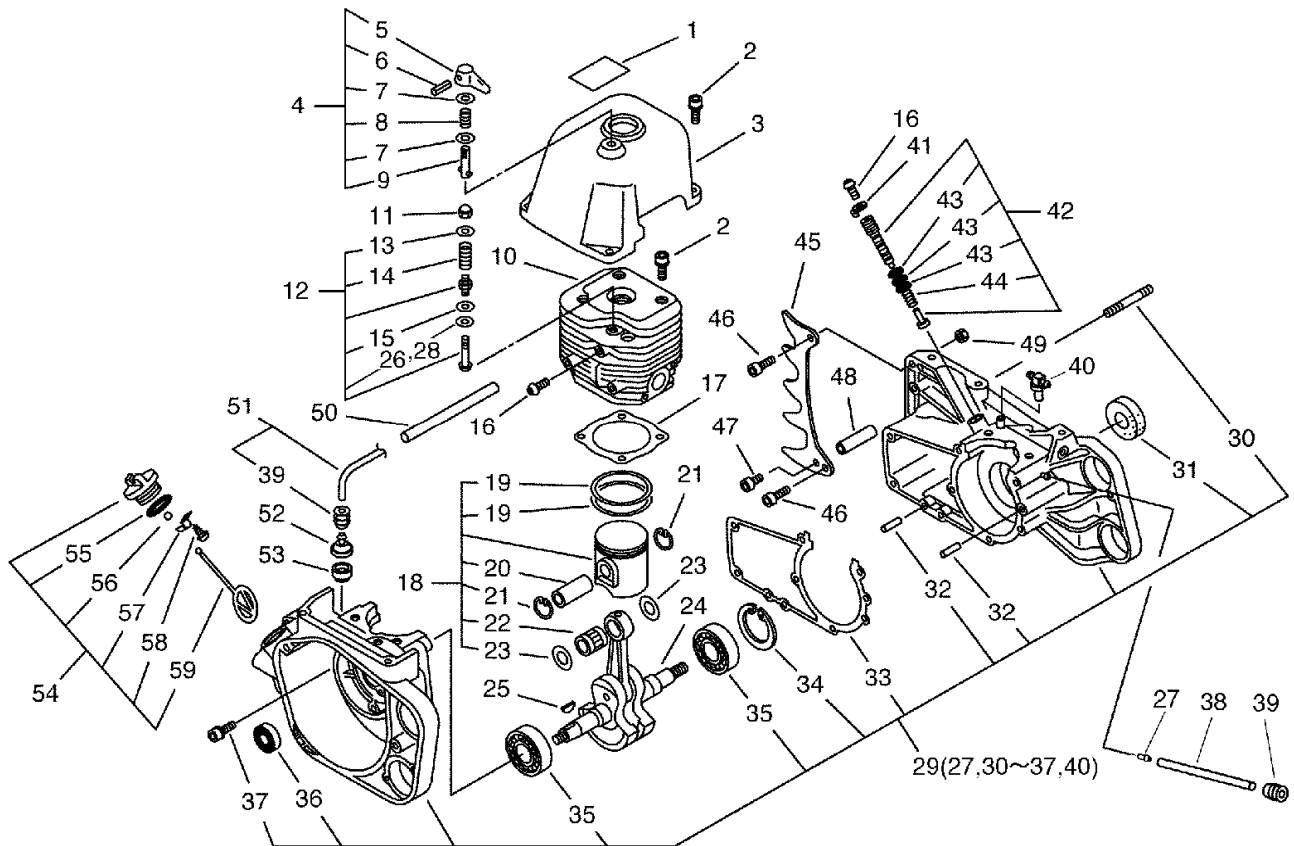
CS-1201(6digits)

1. Cylinder, Crankcase, Piston



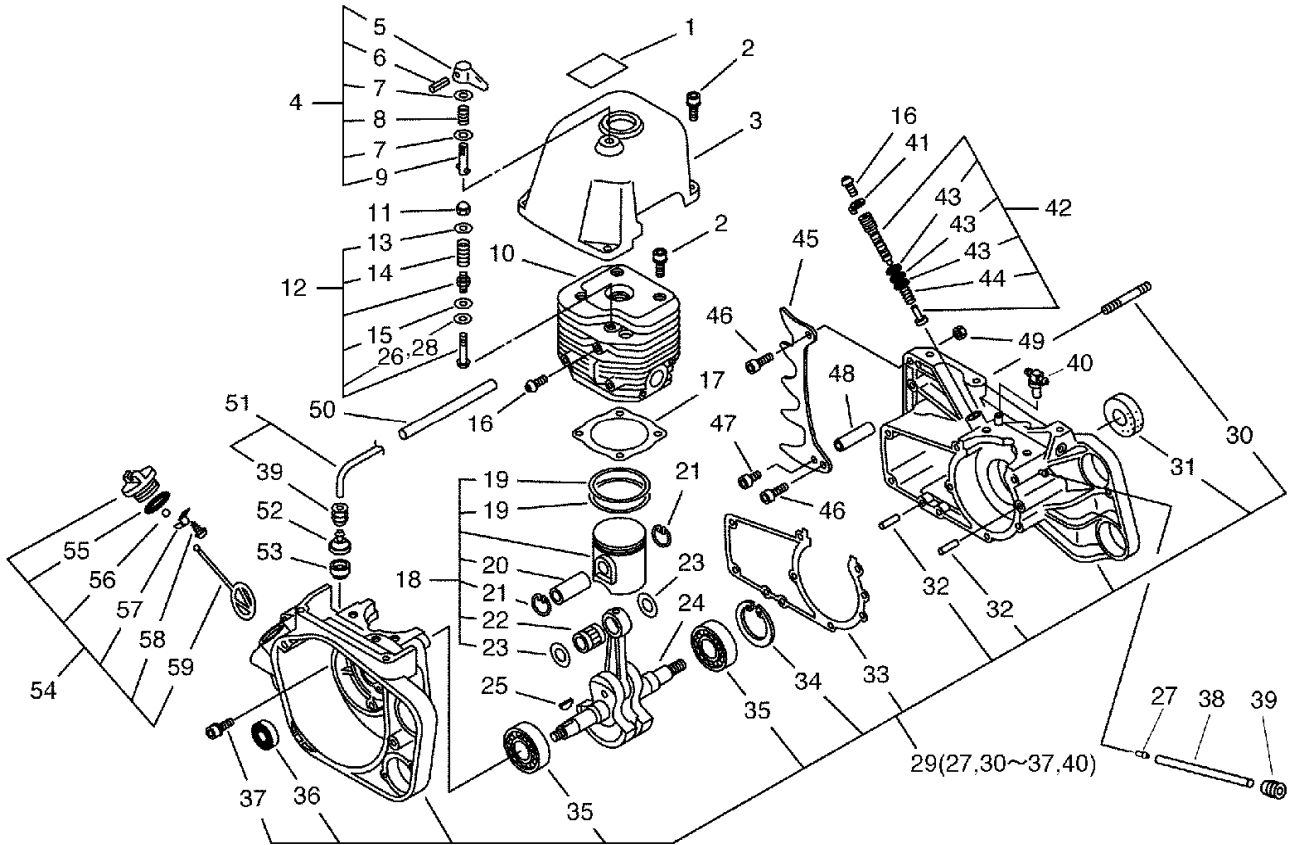
KEY	LV	PART NUMBER	Q'TY	DESCRIPTION	REMARKS	NOTE1	NOTE2
1		890149-16430	1	LABEL, COMP. RELEASE			
2		900162-06025	7	BOLT, H.S. 6*25	6*25 W,SW		
3		101514-16432	1	COVER, CYLINDER			
4		179805-32930	1	LEVER, COMP. RELEASE			
5	+	179815-16432	1	BUTTON, C, RELEASE			
6	+	900345-20014	1	PIN, SPRING 2*14	2*14		
7	+	900600-00005	2	WASHER 5	5		
8	+	179812-16431	1	SPRING			
9	+	179806-16431	1	SHAFT, COMP. RELEASE			
10		101011-60730	1	CYLINDER			
11		400912-00910	1	NUT, CAP 4			
12		101100-16430	1	RELEASE ASSY, COMP.			
13	+	101114-02831	1	WASHER, COMP.R.VALVE			
14	+	101113-02830	1	SPRING, COMP.R.VALVE			
15	+	101112-12430	1	GASKET, V.SEAT 2.0	2.0T		
26	+	101112-32930	1	GASKET, V.SEAT 1.0	1.0T		
28	+	101112-02830	1	GASKET, V.SEAT (1.5)	1.5T		
16		900220-05010	2	SCREW 5*10	5*10		
17		101010-16431	1	GASKET, CYL. BASE			
18		100000-60730	1	PISTON KIT			
19	+	100011-16431	2	RING, PISTON			
20	+	100013-16430	1	PIN, PISTON	10*15*40		
21	+	100015-16430	2	CIRCLIP, PISTON PIN			
22	+	100012-16430	1	BEARING, NEEDLE			
23	+	100014-60730	2	SPACER, PISTON PIN			

1. Cylinder, Crankcase, Piston



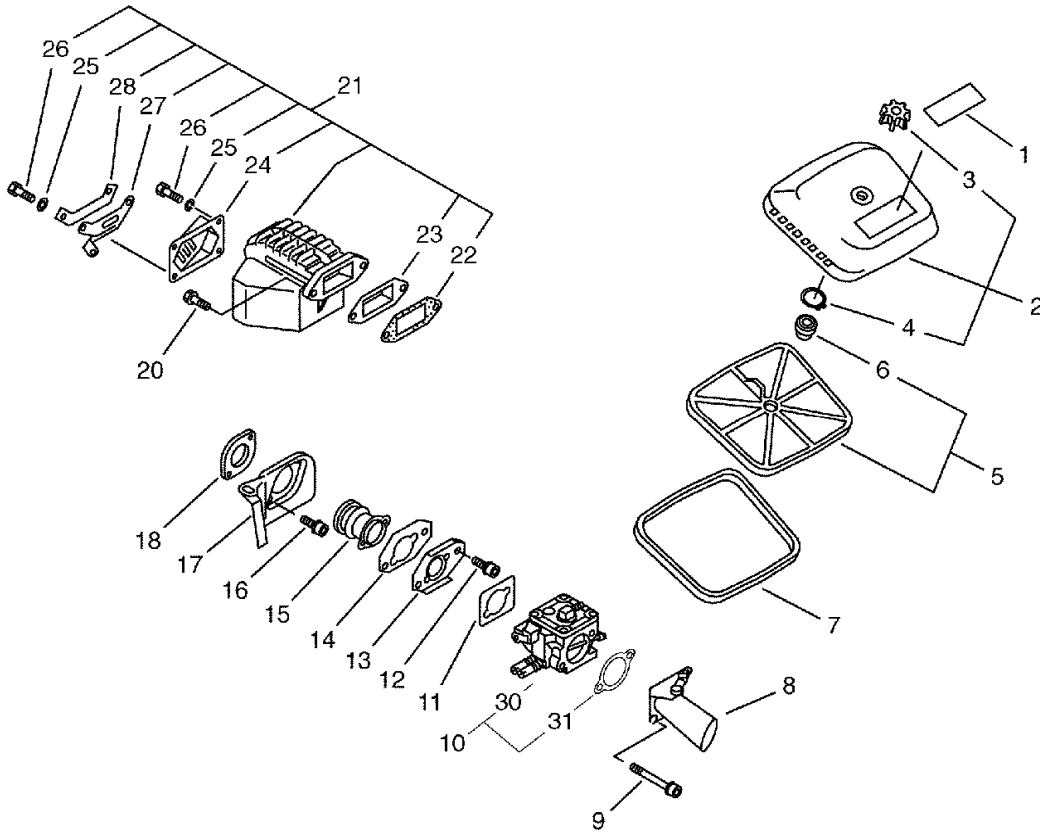
KEY	LV	PART NUMBER	Q'TY	DESCRIPTION	REMARKS	NOTE1	NOTE2
24		100100-60730	1	CRANKSHAFT ASSY		Sus. by 100100-60731	
24		100100-60731	1	CRANKSHAFT			
25		100142-12330	1	KEY, WOODRUFF			
29		100204-16430	1	CRANKCASE KIT			
27	+	130113-12330	1	CONNECTER			
30	+	433011-16430	2	STUD, GUIDE BAR			
31	+	100212-16431	1	OILSEAL	ISCMD 20*47*8		
32	+	100215-02830	2	PIN, DOWEL			
33	+	100242-16430	1	GASKET, CRANKCASE			
34	+	900702-00047	1	CIRCLIP 47	CR-47		
35	+	900810-06204	2	BEARING, BALL 6204	6204		
36	+	100213-16430	1	OILSEAL	ISD 17*28*7		
37	+	900162-06030	8	BOLT, H.S. 6*30	6*30W, SW		
40	+	437201-14730	1	CONNECTOR KIT			
38		130110-16430	1	PIPE, IMPULSE	3*6*140L		
39		132115-12330	1	GROMMET			
41		437059-11133	1	LOCKWASHER			
42		437000-16430	1	AUTO-OILER ASS'Y			
43	+	437020-02830	3	O-RING (S-5)			
44	+	437019-02830	1	SPRING, OILER			
45		880210-16431	1	BUMPER, SPIKED			
46		900105-06020	2	BOLT, H.S. 6*20	6*20		
47		900162-05014	1	BOLT, H.S. 5*14	5*14 W,SW		
48		433026-16430	1	CATCHER, CHAIN			

1. Cylinder, Crankcase, Piston



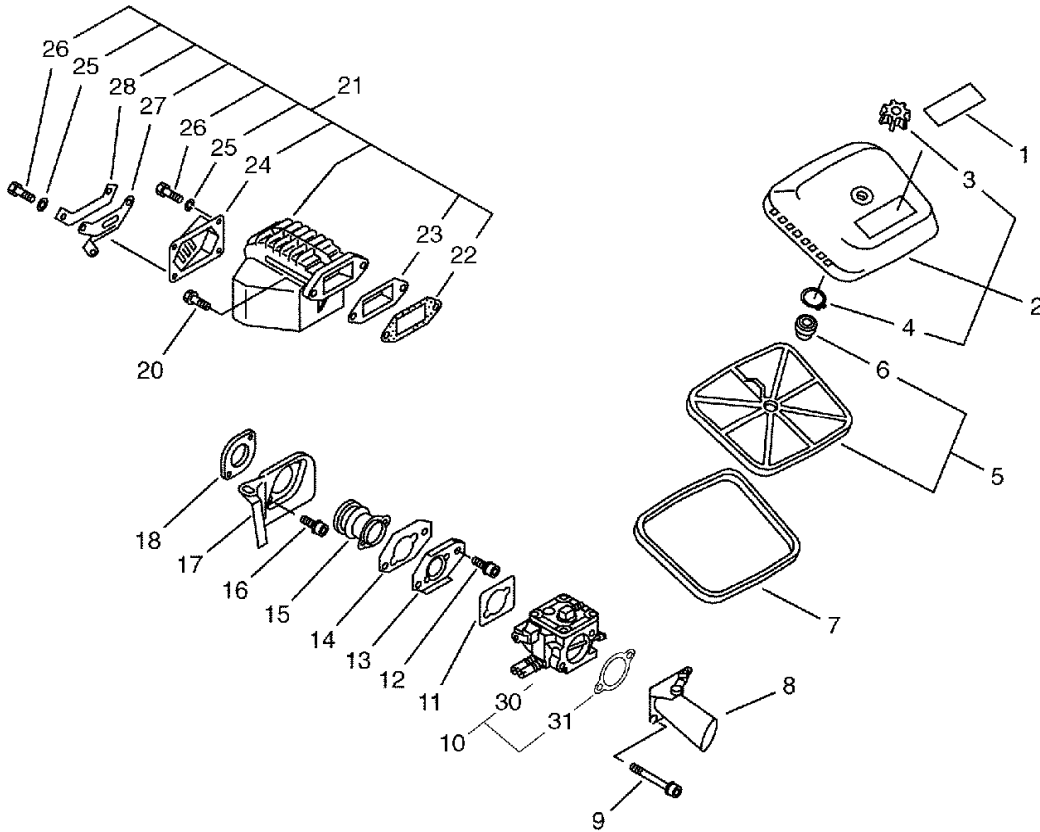
KEY	LV	PART NUMBER	Q'TY	DESCRIPTION	REMARKS	NOTE1	NOTE2
49		145713-00630	2	LOCKNUT 6			
50		437412-16430	1	TUBE, PROTECTOR			
51		437205-16430	1	PIPE			
39	+	132115-12330	1	GROMMET			
52		436205-14730	1	STRAINER, OIL			
53		436212-16431	1	COVER, OIL STRAINER			
54		436001-60730	1	CAP ASSY, OIL TANK			
55	+	900720-00025	1	O-RING 25	P-25		
56	+	436024-02830	1	VALVE, BALL			
57	+	131050-19830	1	RETAINER, LINK			
58	+	900246-03008	1	SCREW 3*8	3*8		
59	+	131051-19830	1	LINK	60L		

2. Air Cleaner, Muffler



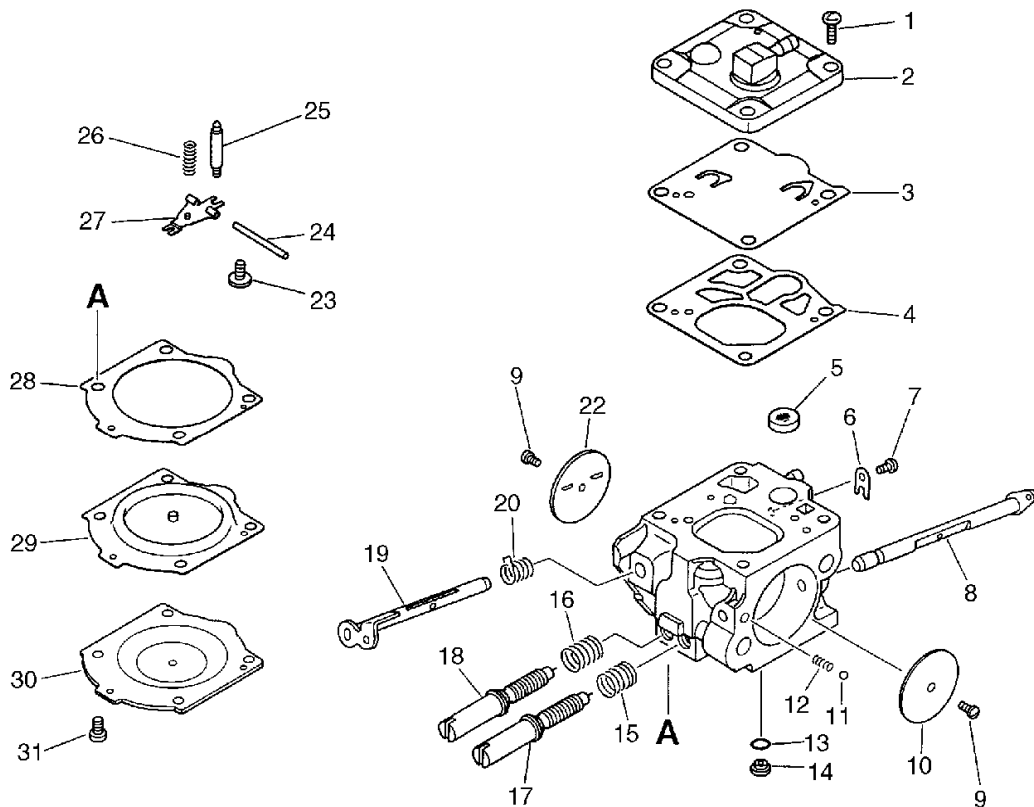
KEY	LV	PART NUMBER	Q'TY	DESCRIPTION	REMARKS	NOTE1	NOTE2
1		890151-60730	1	LABEL, MODEL			
2		130302-16430	1	COVER ASSY, AIR CLN			
3	+	130406-00330	1	NUT, THUMB			
4	+	900701-00011	1	CIRCLIP 11	CS-11		
5		130305-16430	1	FILTER, AIR			
6	+	130312-16430	1	GASKET, AIR CLEANER			
7		130331-16430	1	SEAL, AIR CLEANER			
8		130714-16430	1	ADAPTER, INTAKE			
9		900162-05050	2	BOLT, H.S. 5*50	5*50 W,SW		
10		122000-32930	1	CARBURETOR ASSY	HS-266A	Sus. by P021-010271	
10		P021-010270	1	CARBURETOR KIT		Sus. by P021-010271	
10		P021-010271	1	CARBURETOR KIT			
30	+	A021-001260	1	CARBURETOR,DIAPHRAGM		Sus. by A021-001261	
30	+	A021-001261	1	CARBURETOR,DIAPHRAGM	WJ-107A	Can be used on the P021-010271 only	
31	+	V103-000330	1	GASKET,INTAKE		Can be used on the P021-010270,-1 only	
11		130037-16430	1	SPACER			
12		900162-05014	2	BOLT, H.S. 5*14	5*14 W,SW		
13		130013-16431	1	ADAPTER, CARBURETOR			
14		130012-32930	1	SEAL, DUST			

2. Air Cleaner, Muffler



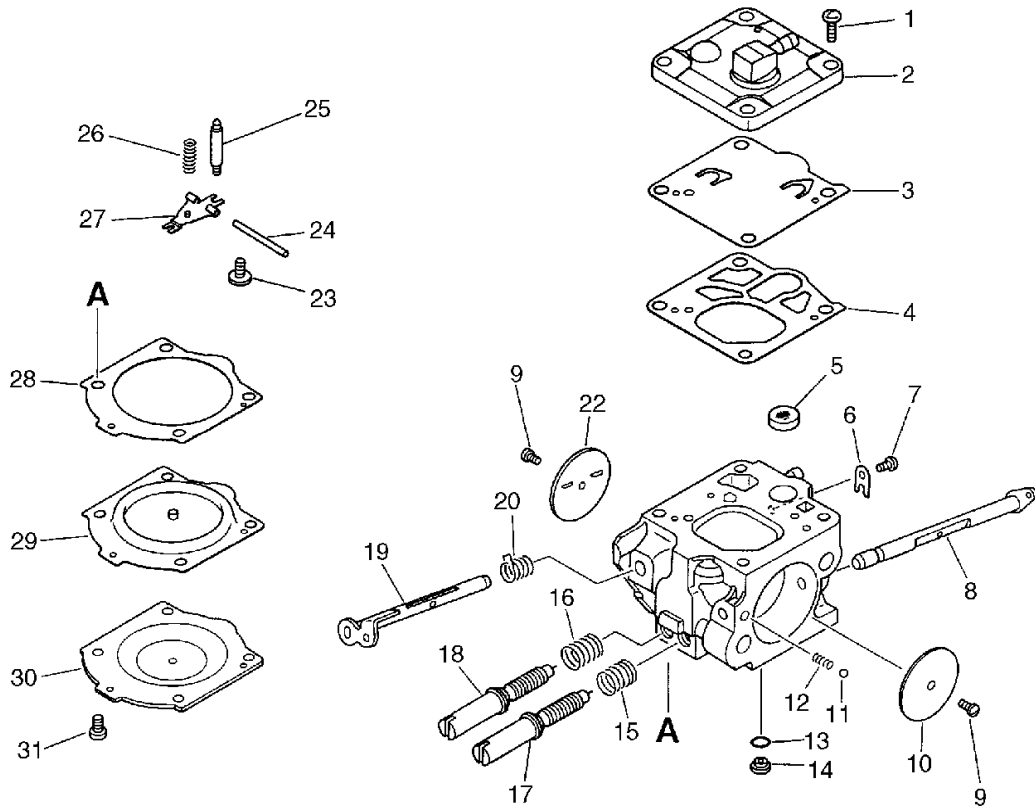
KEY	LV	PART NUMBER	Q'TY	DESCRIPTION	REMARKS	NOTE1	NOTE2
15		130510-16431	1	BELLOWS, INTAKE			
16		900162-05020	2	BOLT, H.S. 5*20	5*20 W,SW		
17		130011-16430	1	PLATE, WIND PROOF			
18		130512-14731	1	HOLDER			
20		900106-06025	2	BOLT, H.S. 6*25	6*25		
21		145600-16430	1	MUFFLER ASSY			
22	+	145510-16431	1	GASKET, EXHAUST			
23	+	145633-16430	1	DIFFUSER, EXH. PORT			
24	+	145818-14730	1	PLATE, EXHAUST			
25	+	178516-00830	4	SPACER	5.2*8*0.8T		
26	+	900150-05015	4	BOLT 5*15	5*15		
27	+	145720-16431	1	BRACKET			
28	+	145642-16431	1	WASHER			

3. Carburetor (Sr/Nr 002340 and before)



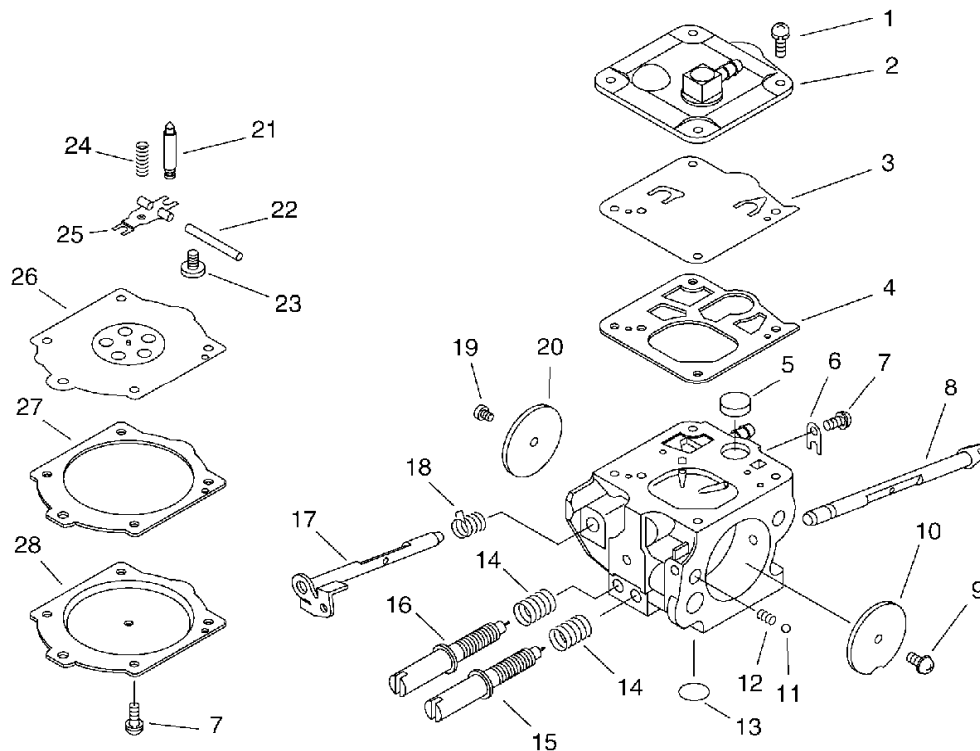
KEY	LV	PART NUMBER	Q'TY	DESCRIPTION	REMARKS	NOTE1	NOTE2
		122000-32930	1	CARBURETOR ASSY	HS-266A		
1	+	122110-00231	4	SCREW			
2	+	122124-14730	1	COVER, FUEL PUMP			
3	+	122125-00230	1	GASKET, PUMP			
4	+	122112-00230	1	DIAPHRAGM, PUMP			
5	+	122126-00230	1	SCREEN, FUEL			
6	+	122127-00230	1	CLIP, THROTTLE SHAFT			
7	+	122114-00231	1	SCREW			
8	+	122131-32930	1	SHAFT, CHOKE			
9	+	122144-00231	2	SCREW & LOCKWASHER			
10	+	122132-10630	1	BUTTERFLY, CHOKE			
11	+	122136-00230	1	BALL, CHOKE SET			
12	+	122135-00230	1	SPRING, CHOKE SET			
13	+	122145-00230	1	PLUG, WELCH (L)			
14	+	122147-32930	1	VALVE, CHECK			
15	+	122119-10630	1	SPRING, NEEDLE			
16	+	122121-10630	1	SPRING, NEEDLE			
17	+	122120-32930	1	NEEDLE, HIGH SPEED			
18	+	122118-32930	1	NEEDLE, IDLE			
19	+	122117-32930	1	SHAFT, THROTTLE			
20	+	122113-32930	1	SPRING, RETURN			
22	+	122116-32930	1	VALVE, THROTTLE			
23	+	122139-00231	1	SCREW			
24	+	122138-00230	1	SHAFT, LEVER			
25	+	122137-00230	1	NEEDLE, INLET			
26	+	122122-00230	1	SPRING, TENSION			

3. Carburetor (Sr/Nr 002340 and before)



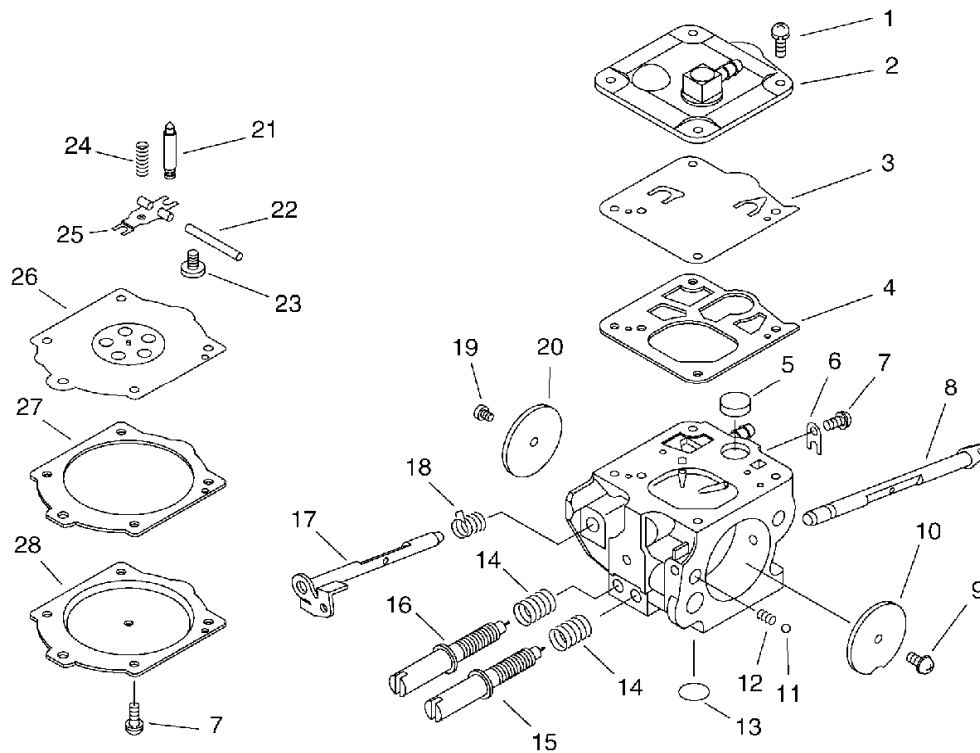
KEY	LV	PART NUMBER	Q'TY	DESCRIPTION	REMARKS	NOTE1	NOTE2
27	+	122123-00230	1	LEVER, INLET CONTROL			
28	+	122140-00230	1	GASKET, DIAPHRAGM			
29	+	122141-00230	1	DIAPHRAGM			
30	+	122142-14730	1	COVER, DIAPHRAGM			
31	+	122144-00231	4	SCREW & LOCKWASHER			

4. Carburetor (Sr/Nr 002341 and after)



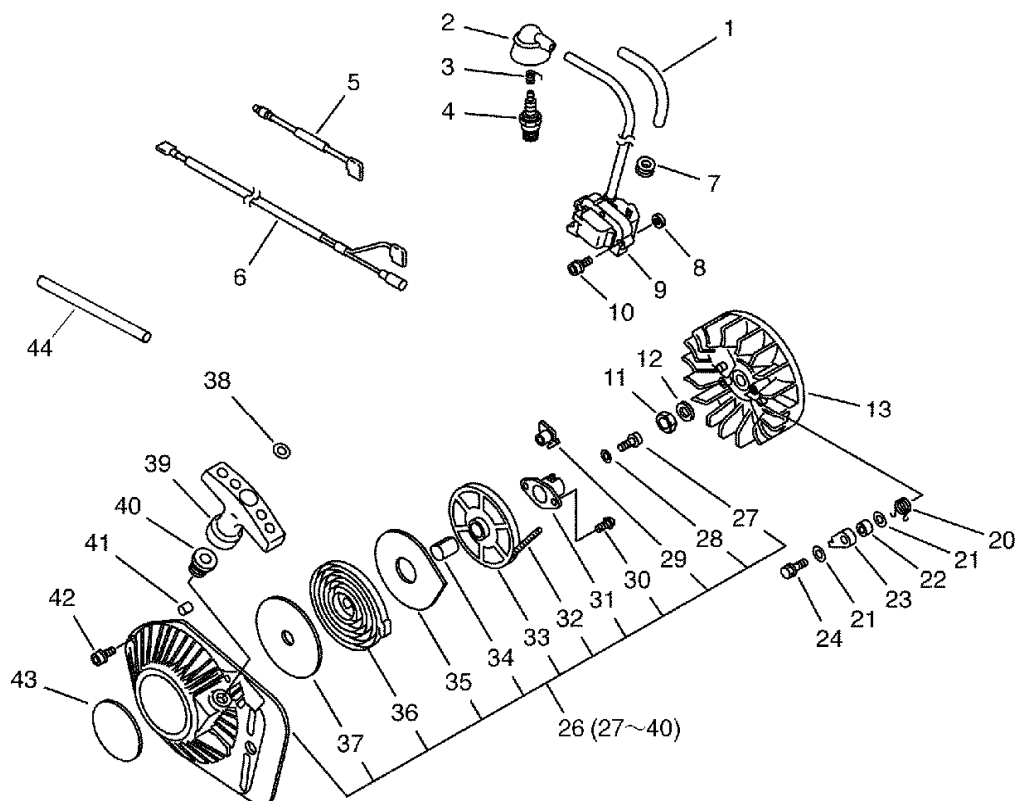
KEY	LV	PART NUMBER	Q'TY	DESCRIPTION	REMARKS	NOTE1	NOTE2
		A021-001260	1	CARBURETOR,DIAPHRAGM		Sus. by A021-001261	
		A021-001261	1	CARBURETOR,DIAPHRAGM	WJ-107A		
1	+	123110-10630	4	SCREW, PUMP COVER			
2	+	P003-001530	1	COVER, FUEL PUMP			
3	+	123125-05260	1	GASKET, FUEL PUMP			
4	+	123112-05260	1	DIAPHRAGM, FUEL PUMP			
5	+	123126-10631	1	SCREEN, INLET			
6	+	123127-03930	1	CLIP, THROTTLE SHAFT			
7	+	123130-02960	5	SCREW			
8	+	P003-001560	1	SHAFT ASY,CHOKE			
9	+	123114-38830	1	SCREW			
10	+	123132-05260	1	VALVE, CHOKE			
11	+	123136-10631	1	BALL, CHOKE FRICTION			
12	+	123135-10631	1	SPRING, CHOKE FRICT.			
13	+	P003-001570	1	PLUG, WELCH			
14	+	123121-22130	2	SPRING, NEEDLE			
15	+	123118-05260	1	NEEDLE, IDLE			
16	+	123120-05260	1	NEEDLE, HIGH SPEED			
17	+	P003-001540	1	SHAFT ASY,THROTTLE			
18	+	P003-001550	1	SPRING			
19	+	123114-05260	1	SCREW			
20	+	123116-05260	1	VALVE, THROTTLE		Sr/Nr 002530 and before	
20	+	P003-001750	1	VALVE, THROTTLE		Sr/Nr 002531 and after	

4. Carburetor (Sr/Nr 002341 and after)



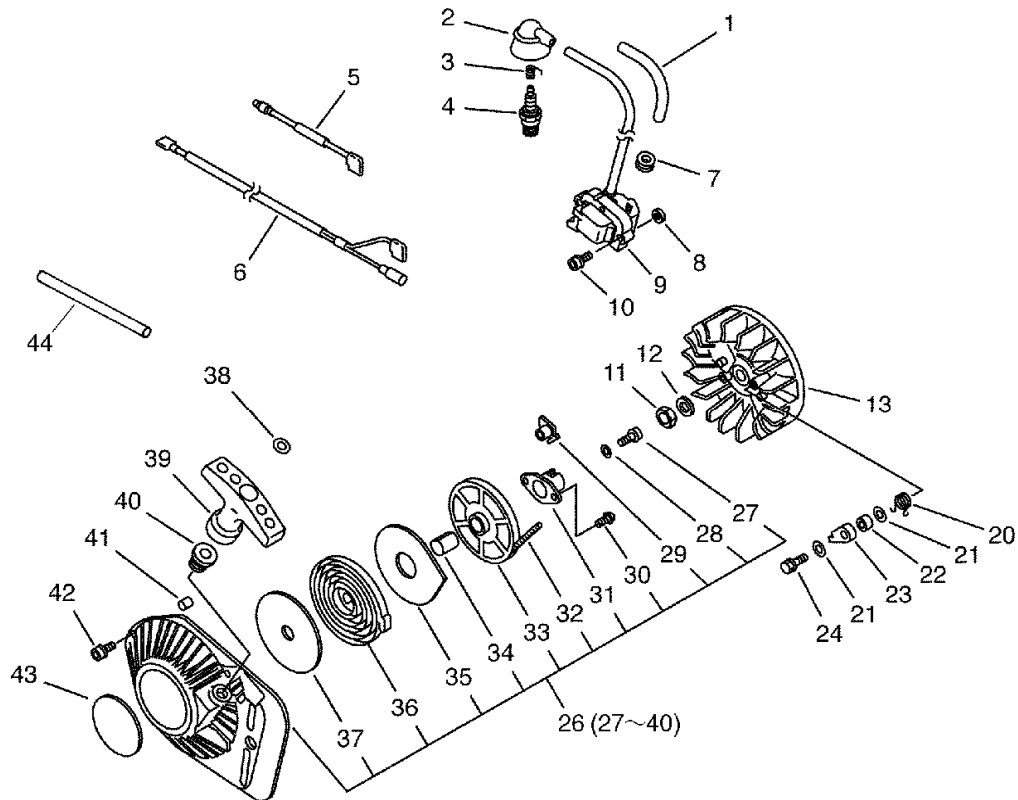
KEY	LV	PART NUMBER	Q'TY	DESCRIPTION	REMARKS	NOTE1	NOTE2
21	+	123137-04260	1	VALVE, INLET NEEDLE			
22	+	123138-10630	1	PIN, METERING LEVER			
23	+	123139-03930	1	SCREW, M. LEVER PIN			
24	+	123122-10630	1	SPRING, METER. LEVER			
25	+	123123-05260	1	LEVER, METERING			
26	+	123140-10630	1	GASKET, M. DIAPHRAGM			
27	+	123141-05260	1	DIAPHRAGM, METERING			
28	+	123142-10630	1	COVER, M. DIAPHRAGM			

5. Starter, Magneto



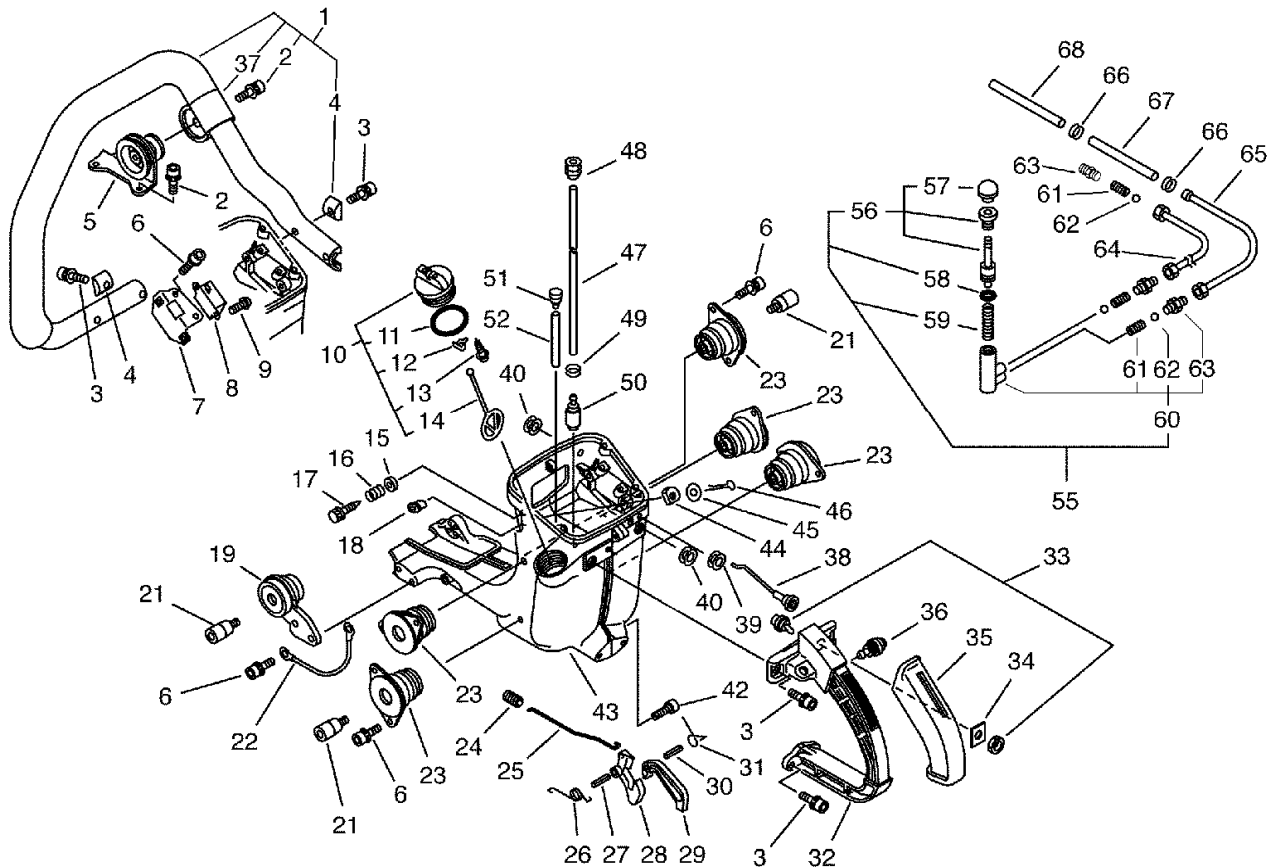
KEY	LV	PART NUMBER	Q'TY	DESCRIPTION	REMARKS	NOTE1	NOTE2
1		437412-16430	1	TUBE, PROTECTOR			
2		159012-16430	1	CAP, SPARK PLUG			
3		159011-03432	1	COIL, SPARK PLUG			
4		159017-16431	1	PLUG, SPARK (CJ-6Y)	CJ-6Y	Sus. by 159010-10630	
5		162021-60730	1	LEAD			
6		162010-60730	1	LEAD, GROUND	465L		
7		150112-00310	1	BUSHING			
8		150117-16430	2	SPACER			
9		152626-60730	1	COIL, IGNITION			
10		900162-05025	2	BOLT, H.S. 5*25	5*25 W,SW		
11		100144-12331	1	NUT			
12		100146-00310	1	WASHER (C-R)			
13		152800-60730	1	ROTOR, MAGNETO			
20		177234-14730	2	SPRING, RETURN			
21		900600-00006	4	WASHER 6	6		
22		177247-02830	2	SPACER, RATCHET			
23		177218-02830	2	RATCHET			
24		900100-06016	2	BOLT 6*16	6*16		
26		177200-16431	1	STARTER ASS'Y (BS)			
27	+	900167-05014	1	BOLT, H.S. 5*14	-5*14 W,SW		
28	+	300217-00610	1	WASHER			
29	+	177246-10631	1	CLIP, STARTER ROPE			
30	+	900242-04012	2	SCREW 4*12	4*12		
31	+	177243-02833	1	CATCHER, PAWL			
32	+	177226-14730	1	ROPE, STARTER	5.0*1050		

5. Starter, Magneto



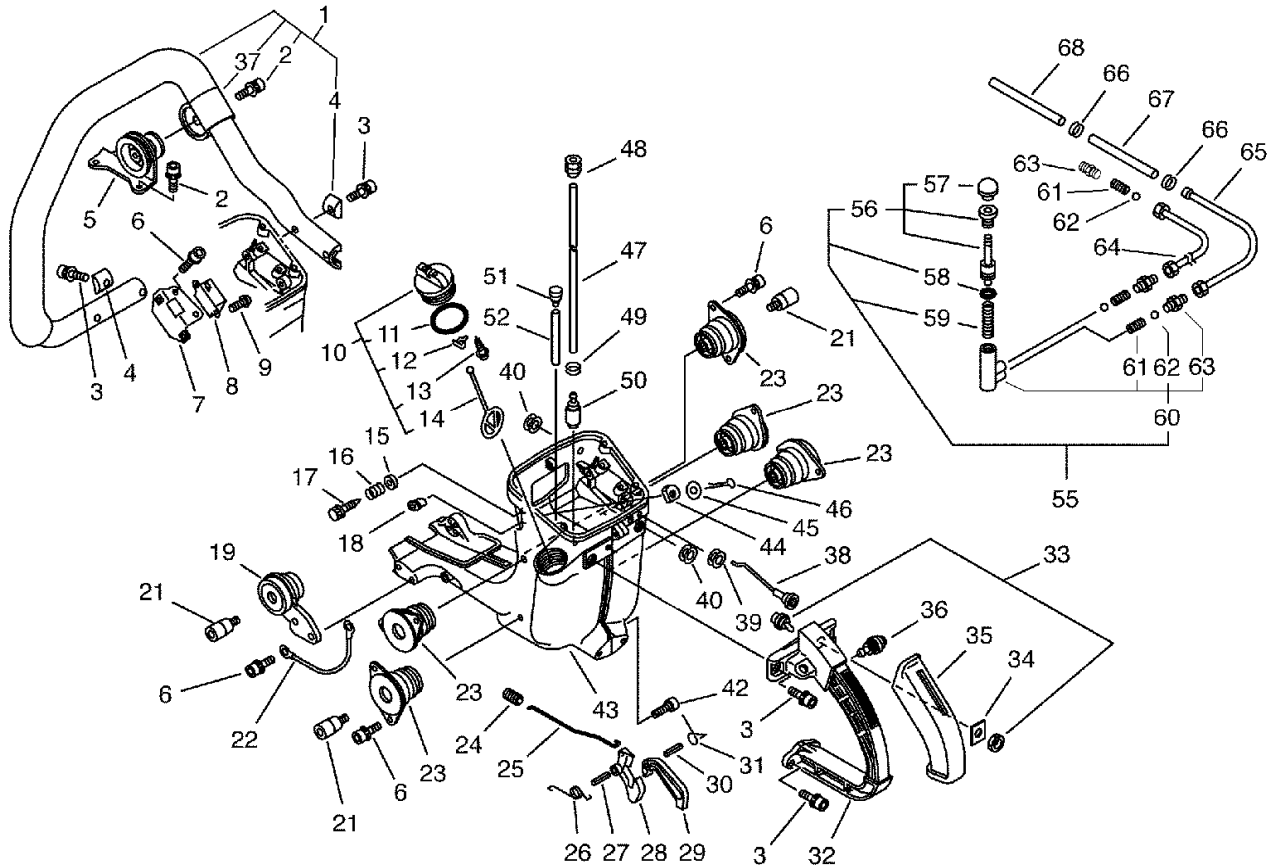
KEY	LV	PART NUMBER	Q'TY	DESCRIPTION	REMARKS	NOTE1	NOTE2
33	+	177215-10632	1	DRUM, STARTER			
34	+	177216-10630	1	COLLAR			
35	+	177242-14730	1	PLATE, STARTER			
36	+	177220-10631	1	SPRING, REWIND			
37	+	177221-10630	1	PLATE, STARTER			
38	+	177229-16430	1	WASHER		Sus. by v323-000060	
39	+	177228-16430	1	GRIP, STARTER			
40	+	177227-10630	1	GUIDE, ROPE		Sus. by 177227-07060	
40	+	177227-07060	1	GUIDE, ROPE			
41		101522-16430	2	PIN, DOWEL			
42		900162-06025	3	BOLT, H.S. 6*25	6*25 W,SW		
43		890112-38130	1	LABEL, ECHO		Sus. by 890118-17930	
43		890118-17930	1	LABEL, ECHO		Sus. by X502-000460	
44		150611-14730	1	TUBE	7*8.6*130		

6. Handle



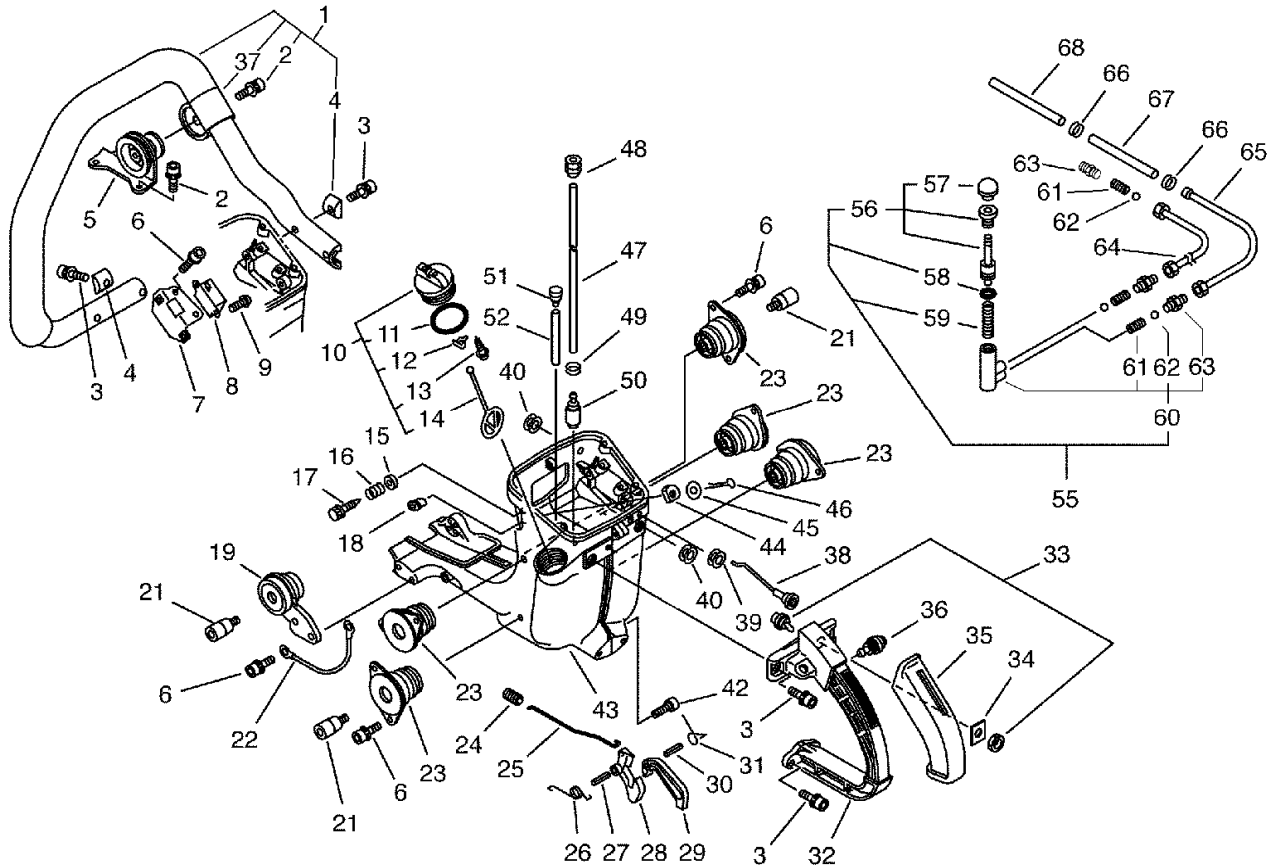
KEY	LV	PART NUMBER	Q'TY	DESCRIPTION	REMARKS	NOTE1	NOTE2
1		351604-05260	1	HANDLE KIT, FRONT			
2	+	900162-06020	1	BOLT, H.S. 6*20	6*20 W.SW		
4	+	351611-16430	4	WASHER			
37	+	351613-05260	1	SUPPORTER, F.HANDLE			
2	+	900162-06020	3	BOLT, H.S. 6*20	6*20 W.SW		
3		900162-06025	8	BOLT, H.S. 6*25	6*25 W,SW		
5		351605-16430	1	CUSHION			
6		900162-05014	14	BOLT, H.S. 5*14	5*14 W,SW		
7		152615-60730	1	BRACKET, MODULE			
8		152605-60730	1	MODULE, E.S.G.			
9		900242-05010	2	SCREW 5*10	5*10		
10		131004-60730	1	CAP ASSY, FUEL TANK			
11	+	900720-00032	1	O-RING 32	P-32		
12	+	131050-19830	1	RETAINER, LINK			
13	+	900246-03008	1	SCREW 3*8	3*8		
14	+	131051-19830	1	LINK	60L		
15		900600-00004	1	WASHER 4	4		
16		129020-14730	1	SPRING			
17		129013-14730	1	SCREW, IDLE ADJUST.			
18		129010-14730	1	GROMMET			
19		100917-16430	1	CUSHION			
21		100915-16430	6	FASTENER, CUSHION			
22		162010-14732	1	LEAD, GROUND			
23		100910-16430	5	CUSHION			
24		178211-05260	1	GROMMET			
25		178011-16430	1	ROD, THROTTLE			

6. Handle



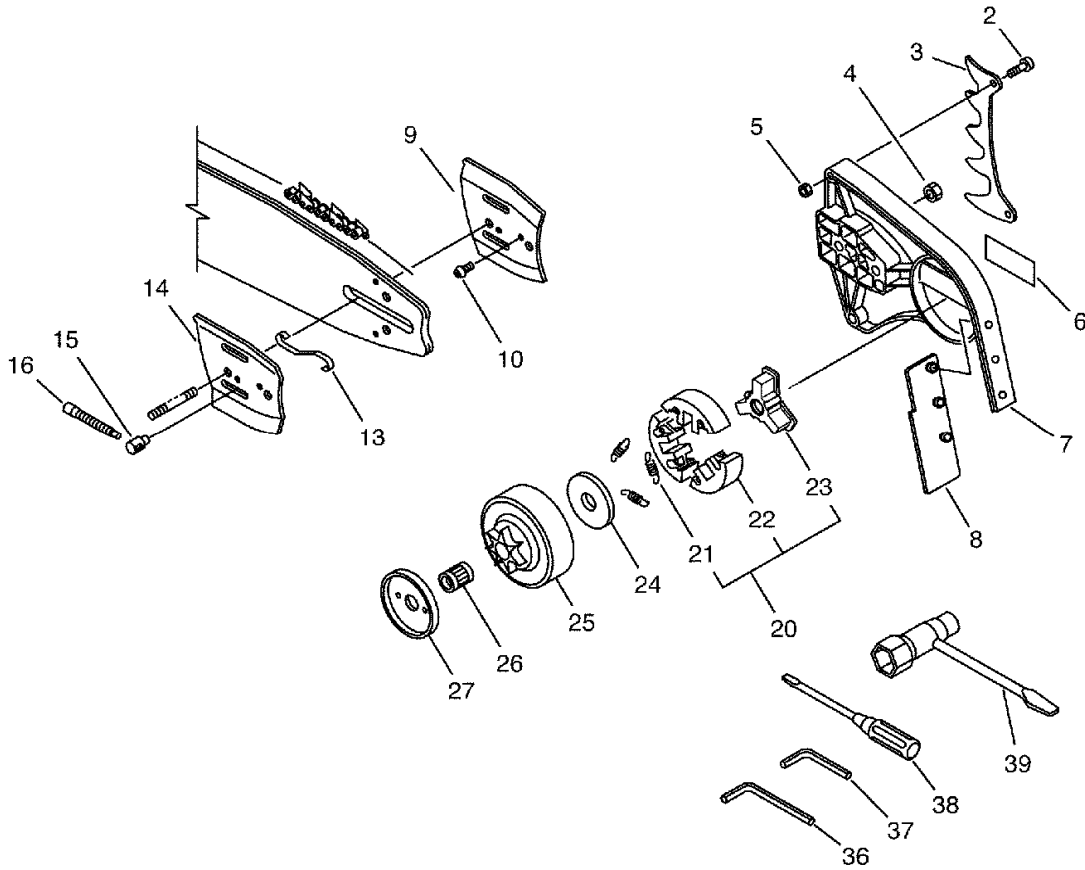
KEY	LV	PART NUMBER	Q'TY	DESCRIPTION	REMARKS	NOTE1	NOTE2
26		178043-16430	1	SPRING, THR. RETURN			
27		900342-50025	1	PIN, SPRING 5*25	5*25		
28		178010-05260	1	CONTROL, THROTTLE			
29		178090-16430	1	LOOKOUT, T. CONTROL			
30		900342-40018	1	PIN, SPRING 4*18	4*18		
31		178091-16430	1	SPRING			
32		351110-16431	1	HANDLE			
33		163400-19830	1	SWITCH, IGNITION			
34		890157-16430	1	LABEL, SWITCH			
35		351111-16430	1	GRIP, REAR HANDLE			
36		178302-12330	1	LATCH, THROTTLE			
38		178510-16430	1	ROD, CHOKE CONTROL			
39		178810-02830	1	GROMMET			
40		156114-06330	2	BUSHING			
43		131002-60732	1	TANK SET, FUEL			
42	+	900105-05014	4	BOLT, H.S. 5*14	5*14		
44		131410-00330	1	PACKING, FELT			
45		900600-00002	1	WASHER 2	2		
46		900300-20015	1	PIN, SPLIT 2*15	P-2*15		
47		132010-05260	1	PIPE 3* 6*360	3* 6*360		
48		132115-12330	1	GROMMET			
49		132013-26630	1	CLIP	6.5MM		
50		131205-19830	1	STRAINER, FUEL		Sus. by 131205-19831	
51		131300-16430	1	VENT ASSY, FUEL			
52		131312-16430	1	PIPE, VENT	3*6*22		

6. Handle



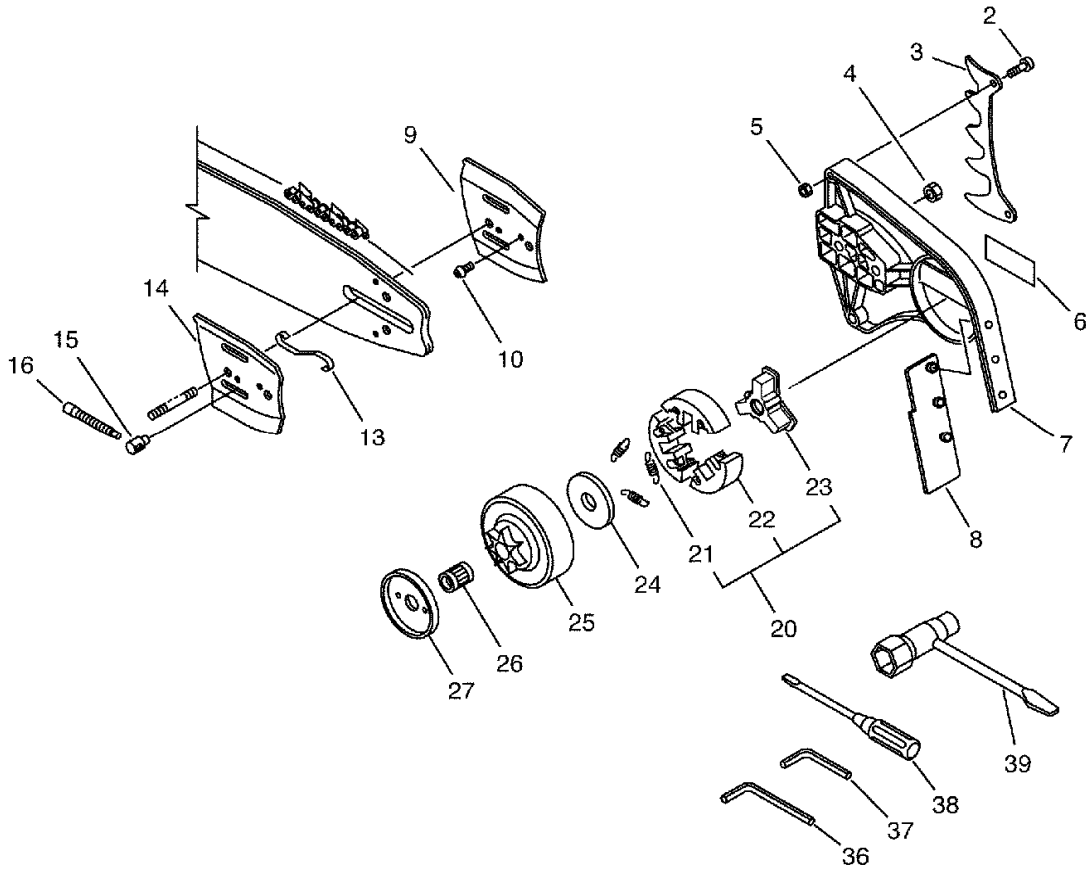
KEY	LV	PART NUMBER	Q'TY	DESCRIPTION	REMARKS	NOTE1	NOTE2
55		437100-16430	1	PUMP ASS'Y, OIL			
56	+	437101-14730	1	PISTON, OIL PUMP			
57	++	437119-14731	1	BUTTON, PUSH			
58	+	900720-00006	1	O-RING 6	P-6		
59	+	437111-00231	1	SPRING, OIL PUMP			
60	+	437102-16430	1	BODY ASS'Y, OIL PUMP			
61	++	437013-00330	2	SPRING, VALVE			
62	++	437012-00330	2	VALVE, BALL			
63	++	437052-00330	2	CONNECTOR			
61	+	437013-00330	2	SPRING, VALVE			
62	+	437012-00330	2	VALVE, BALL			
64		437206-16430	1	PIPE			
65		437207-32930	1	PIPE			
66		437221-16430	2	CLIP			
67		437211-16431	1	PIPE			
68		437412-16430	1	TUBE, PROTECTOR			

7. Clutch, Sprocket, Tools



KEY	LV	PART NUMBER	Q'TY	DESCRIPTION	REMARKS	NOTE1	NOTE2
2		900105-06020	2	BOLT, H.S. 6*20	6*20		
3		880210-16431	1	BUMPER, SPIKED			
4		433019-10631	2	NUT, FLANGE			
5		145713-00630	2	LOCKNUT 6			
6		890118-35030	1	LABEL, ECHO		Sus. by X502-000540	
7		433021-16430	1	GUARD, SPROCKET			
8		433025-16430	1	PAD			
9		433012-16430	1	PLATE, GUIDE (OUTER)			
10		900220-03006	2	SCREW 3*6	3*6		
13		433035-16430	1	HOLDER, PLATE			
14		433013-16430	1	PLATE, GUIDE (INNER)			
15		433014-16430	1	TENSIONER			
16		433016-16430	1	SCREW, TENSIONER			
20		175000-60730	1	CLUTCH ASSY		Sus. by A056-000170	
20		A056-000170	1	CLUTCH ASY			
21	+	175018-60730	3	SPRING, CLUTCH			
22	+	175002-60730	1	SHOE SET, CLUTCH		Sus. by P021-010080	
22	+	P021-010080	1	CLUTCH SHOE SET			
23	+	175016-60730	1	HUB, CLUTCH			
24		175019-60130	1	PLATE, CLUTCH			
25		175006-60730	1	DRUM, CLUTCH (.404)			
26		175012-60730	1	BEARING, NEEDLE			
27		175015-60730	1	WASHER	14*46*3.5		

7. Clutch, Sprocket, Tools



KEY	LV	PART NUMBER	Q'TY	DESCRIPTION	REMARKS	NOTE1	NOTE2
36		895611-00330	1	L-WRENCH (5MM)			
37		895610-00130	1	L-WRENCH (4MM)			
38		895811-00130	1	DRIVER, SCREW 125			
39		895410-10630	1	WRENCH, W/S. DRIVER			

Index

Patrs Number	Key No.	Patrs Number	Key No.	Patrs Number	Key No.
100000-60730	1 - 18	122135-00230	3 - 12	130510-16431	2 - 15
100011-16431	1 - 19	122136-00230	3 - 11	130512-14731	2 - 18
100012-16430	1 - 22	122137-00230	3 - 25	130714-16430	2 - 8
100013-16430	1 - 20	122138-00230	3 - 24	131002-60732	6 - 43
100014-60730	1 - 23	122139-00231	3 - 23	131004-60730	6 - 10
100015-16430	1 - 21	122140-00230	3 - 28	131050-19830	1 - 57
100100-60730	1 - 24	122141-00230	3 - 29	131050-19830	6 - 12
100100-60731	1 - 24	122142-14730	3 - 30	131051-19830	1 - 59
100142-12330	1 - 25	122144-00231	3 - 9	131051-19830	6 - 14
100144-12331	5 - 11	122144-00231	3 - 31	131205-19830	6 - 50
100146-00310	5 - 12	122145-00230	3 - 13	131300-16430	6 - 51
100204-16430	1 - 29	122147-32930	3 - 14	131312-16430	6 - 52
100212-16431	1 - 31	123110-10630	4 - 1	131410-00330	6 - 44
100213-16430	1 - 36	123112-05260	4 - 4	132010-05260	6 - 47
100215-02830	1 - 32	123114-05260	4 - 19	132013-26630	6 - 49
100242-16430	1 - 33	123114-38830	4 - 9	132115-12330	1 - 39
100910-16430	6 - 23	123116-05260	4 - 20	132115-12330	1 - 39
100915-16430	6 - 21	123118-05260	4 - 15	132115-12330	6 - 48
100917-16430	6 - 19	123120-05260	4 - 16	145510-16431	2 - 22
101010-16431	1 - 17	123121-22130	4 - 14	145600-16430	2 - 21
101011-60730	1 - 10	123122-10630	4 - 24	145633-16430	2 - 23
101100-16430	1 - 12	123123-05260	4 - 25	145642-16431	2 - 28
101112-02830	1 - 28	123125-05260	4 - 3	145713-00630	1 - 49
101112-12430	1 - 15	123126-10631	4 - 5	145713-00630	7 - 5
101112-32930	1 - 26	123127-03930	4 - 6	145720-16431	2 - 27
101113-02830	1 - 14	123130-02960	4 - 7	145818-14730	2 - 24
101114-02831	1 - 13	123132-05260	4 - 10	150112-00310	5 - 7
101514-16432	1 - 3	123135-10631	4 - 12	150117-16430	5 - 8
101522-16430	5 - 41	123136-10631	4 - 11	150611-14730	5 - 44
122000-32930	2 - 10	123137-04260	4 - 21	152605-60730	6 - 8
122000-32930	3 -	123138-10630	4 - 22	152615-60730	6 - 7
122110-00231	3 - 1	123139-03930	4 - 23	152626-60730	5 - 9
122112-00230	3 - 4	123140-10630	4 - 26	152800-60730	5 - 13
122113-32930	3 - 20	123141-05260	4 - 27	156114-06330	6 - 40
122114-00231	3 - 7	123142-10630	4 - 28	159011-03432	5 - 3
122116-32930	3 - 22	129010-14730	6 - 18	159012-16430	5 - 2
122117-32930	3 - 19	129013-14730	6 - 17	159017-16431	5 - 4
122118-32930	3 - 18	129020-14730	6 - 16	162010-14732	6 - 22
122119-10630	3 - 15	130011-16430	2 - 17	162010-60730	5 - 6
122120-32930	3 - 17	130012-32930	2 - 14	162021-60730	5 - 5
122121-10630	3 - 16	130013-16431	2 - 13	163400-19830	6 - 33
122122-00230	3 - 26	130037-16430	2 - 11	175000-60730	7 - 20
122123-00230	3 - 27	130110-16430	1 - 38	175002-60730	7 - 22
122124-14730	3 - 2	130113-12330	1 - 27	175006-60730	7 - 25
122125-00230	3 - 3	130302-16430	2 - 2	175012-60730	7 - 26
122126-00230	3 - 5	130305-16430	2 - 5	175015-60730	7 - 27
122127-00230	3 - 6	130312-16430	2 - 6	175016-60730	7 - 23
122131-32930	3 - 8	130331-16430	2 - 7	175018-60730	7 - 21
122132-10630	3 - 10	130406-00330	2 - 3	175019-60130	7 - 24

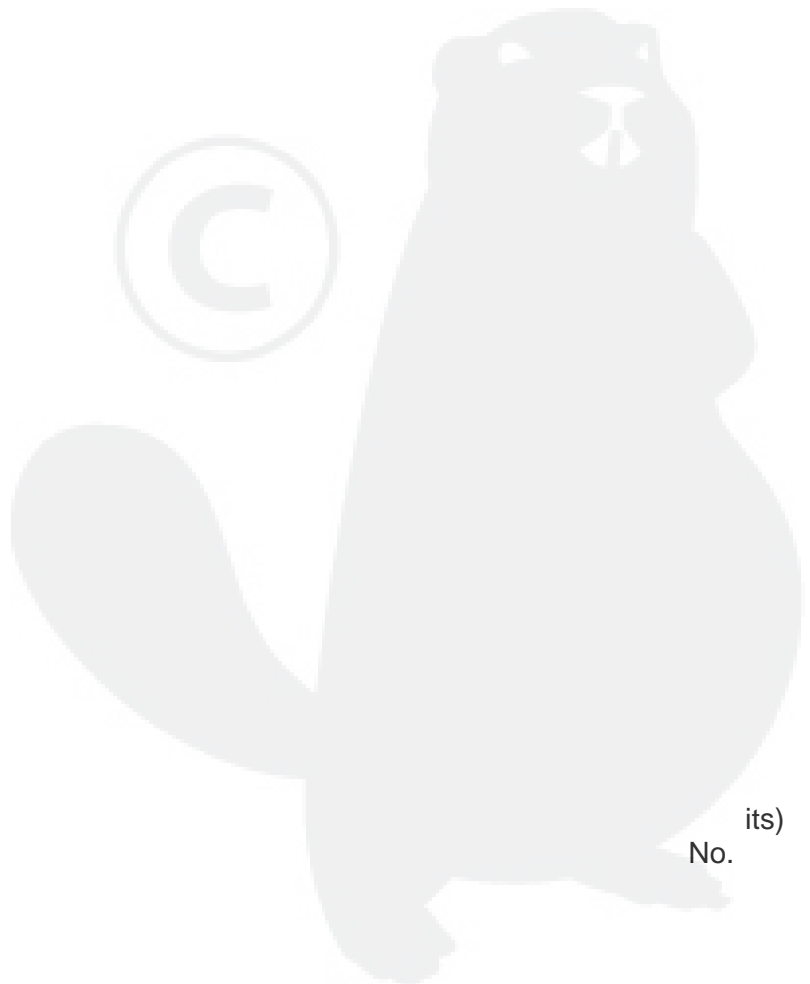
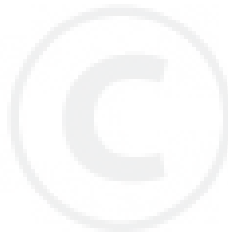
Index

Patrs Number	Key No.	Patrs Number	Key No.	Patrs Number	Key No.
177200-16431	5 - 26	436024-02830	1 - 56	900162-05050	2 - 9
177215-10632	5 - 33	436205-14730	1 - 52	900162-06020	6 - 2
177216-10630	5 - 34	436212-16431	1 - 53	900162-06020	6 - 2
177218-02830	5 - 23	437000-16430	1 - 42	900162-06025	1 - 2
177220-10631	5 - 36	437012-00330	6 - 62	900162-06025	5 - 42
177221-10630	5 - 37	437012-00330	6 - 62	900162-06025	6 - 3
177226-14730	5 - 32	437013-00330	6 - 61	900162-06030	1 - 37
177227-07060	5 - 40	437013-00330	6 - 61	900167-05014	5 - 27
177227-10630	5 - 40	437019-02830	1 - 44	900220-03006	7 - 10
177228-16430	5 - 39	437020-02830	1 - 43	900220-05010	1 - 16
177229-16430	5 - 38	437052-00330	6 - 63	900242-04012	5 - 30
177234-14730	5 - 20	437059-11133	1 - 41	900242-05010	6 - 9
177242-14730	5 - 35	437100-16430	6 - 55	900246-03008	1 - 58
177243-02833	5 - 31	437101-14730	6 - 56	900246-03008	6 - 13
177246-10631	5 - 29	437102-16430	6 - 60	900300-20015	6 - 46
177247-02830	5 - 22	437111-00231	6 - 59	900342-40018	6 - 30
178010-05260	6 - 28	437119-14731	6 - 57	900342-50025	6 - 27
178011-16430	6 - 25	437201-14730	1 - 40	900345-20014	1 - 6
178043-16430	6 - 26	437205-16430	1 - 51	900600-00002	6 - 45
178090-16430	6 - 29	437206-16430	6 - 64	900600-00004	6 - 15
178091-16430	6 - 31	437207-32930	6 - 65	900600-00005	1 - 7
178211-05260	6 - 24	437211-16431	6 - 67	900600-00006	5 - 21
178302-12330	6 - 36	437221-16430	6 - 66	900701-00011	2 - 4
178510-16430	6 - 38	437412-16430	1 - 50	900702-00047	1 - 34
178516-00830	2 - 25	437412-16430	5 - 1	900720-00006	6 - 58
178810-02830	6 - 39	437412-16430	6 - 68	900720-00025	1 - 55
179805-32930	1 - 4	880210-16431	1 - 45	900720-00032	6 - 11
179806-16431	1 - 9	880210-16431	7 - 3	900810-06204	1 - 35
179812-16431	1 - 8	890112-38130	5 - 43	A021-001260	2 - 30
179815-16432	1 - 5	890118-17930	5 - 43	A021-001260	4 -
300217-00610	5 - 28	890118-35030	7 - 6	A021-001261	2 - 30
351110-16431	6 - 32	890149-16430	1 - 1	A021-001261	4 -
351111-16430	6 - 35	890151-60730	2 - 1	A056-000170	7 - 20
351604-05260	6 - 1	890157-16430	6 - 34	P003-001530	4 - 2
351605-16430	6 - 5	895410-10630	7 - 39	P003-001540	4 - 17
351611-16430	6 - 4	895610-00130	7 - 37	P003-001550	4 - 18
351613-05260	6 - 37	895611-00330	7 - 36	P003-001560	4 - 8
400912-00910	1 - 11	895811-00130	7 - 38	P003-001570	4 - 13
433011-16430	1 - 30	900100-06016	5 - 24	P003-001750	4 - 20
433012-16430	7 - 9	900105-05014	6 - 42	P021-010080	7 - 22
433013-16430	7 - 14	900105-06020	1 - 46	P021-010270	2 - 10
433014-16430	7 - 15	900105-06020	7 - 2	P021-010271	2 - 10
433016-16430	7 - 16	900106-06025	2 - 20	V103-000330	2 - 31
433019-10631	7 - 4	900150-05015	2 - 26		
433021-16430	7 - 7	900162-05014	1 - 47		
433025-16430	7 - 8	900162-05014	2 - 12		
433026-16430	1 - 48	900162-05014	6 - 6		
433035-16430	7 - 13	900162-05020	2 - 16		
436001-60730	1 - 54	900162-05025	5 - 10		

YAMABIKO CORPORATION

7-2 SUEHIROCHO 1-CHOME, OHME, TOKYO 198-8760, JAPAN
PHONE: 81-428-32-6118. FAX: 81-428-32-6145.

ECHO[®]



No. its)