

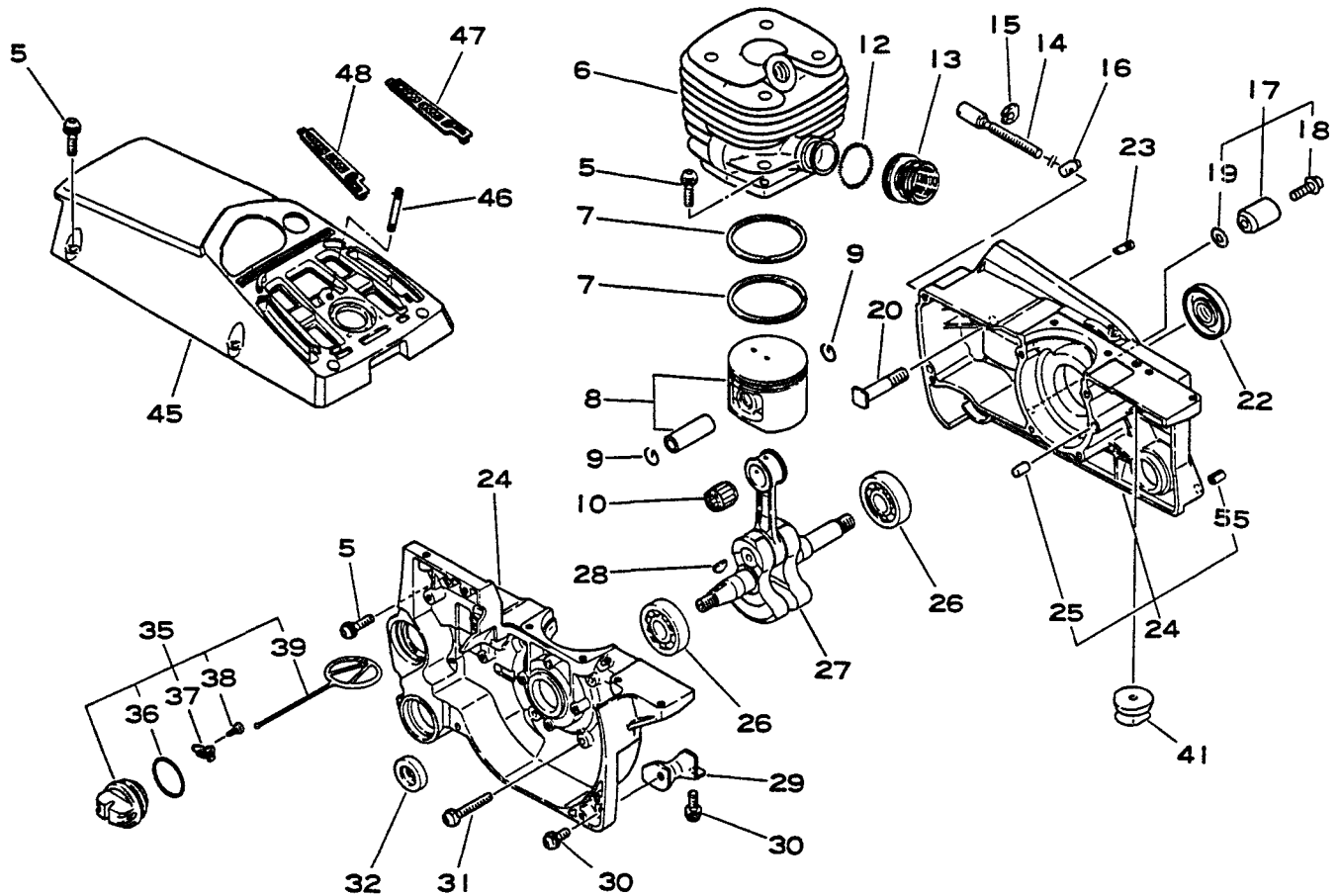


**CHAIN SAW
PARTS CATALOG
MODEL CS-6700**

SERIAL NUMBER 001001 THRU 023377

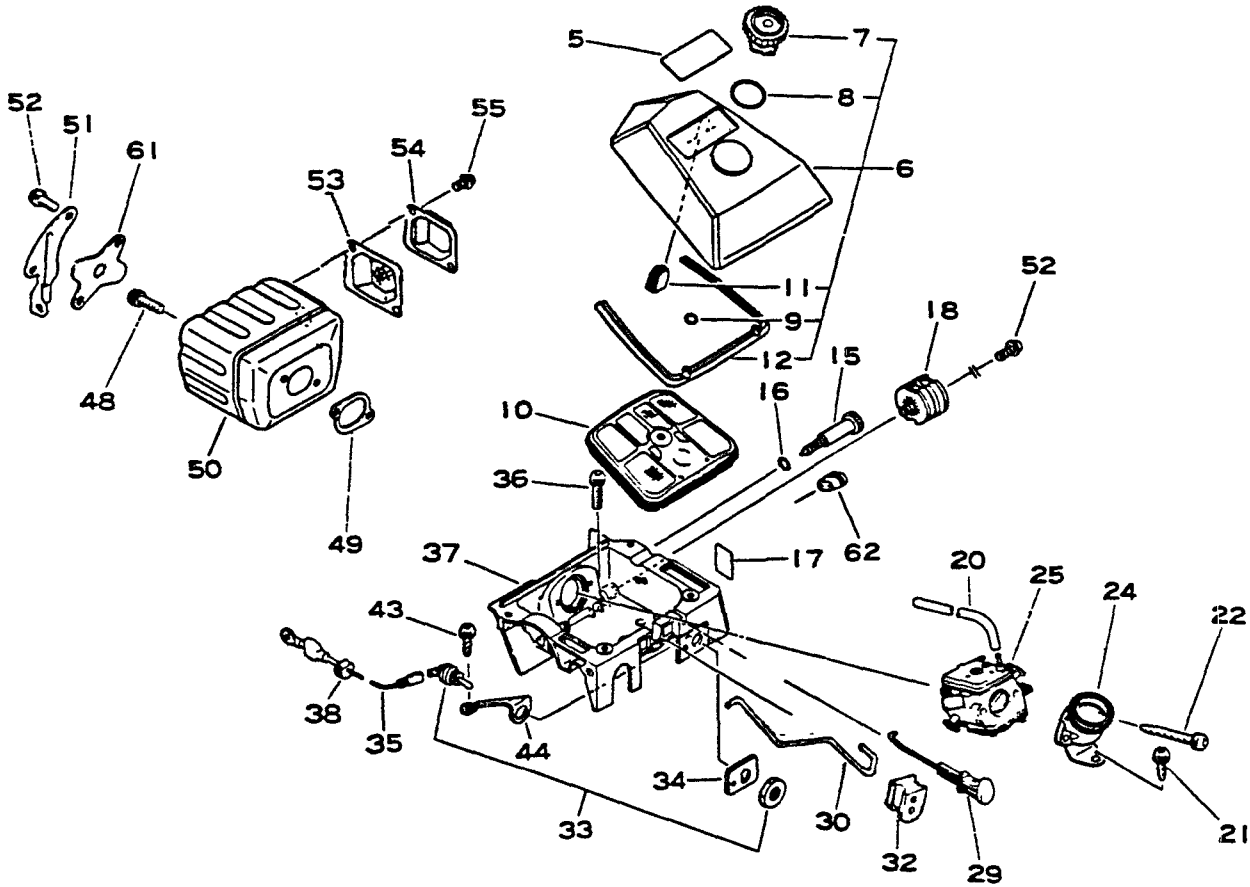
**ECHO, INCORPORATED
400 OAKWOOD ROAD
LAKE ZURICH, IL 60047**

**89861232632
06/94**



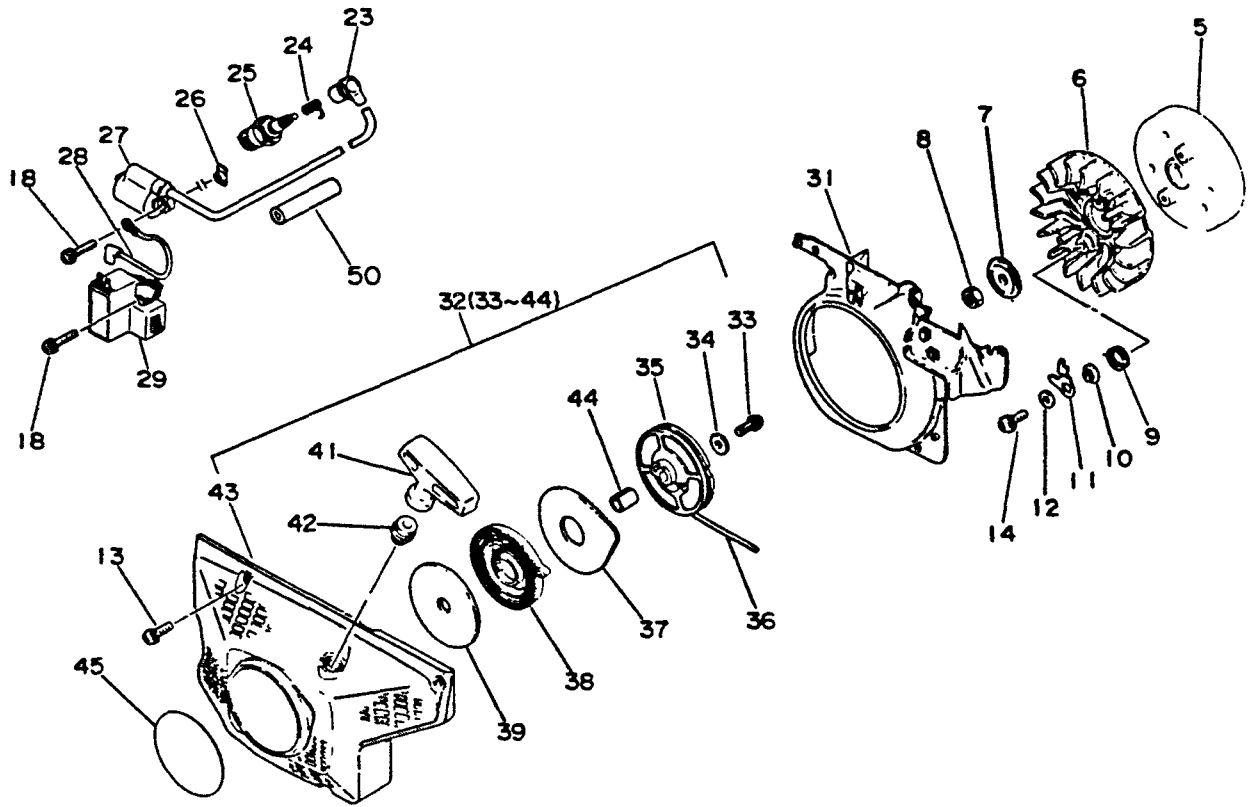
Opt. Cyl. Base Gasket 101010-32430

Key No.	Part Number	Q'ty	Description	Key No.	Part Number	Q'ty	Description
1- 5	900 281-0502 0	11	Screw 5x20	55	-900 345-0501 0	1	Pin, spring
6	101 005-3243 0	1	Cylinder	22	-100 212-3243 0	1	Oilseal
7	100 011-3243 0	2	Ring, piston	(3-26)	>156 618-3013 0	1	Nut
8	100 003-3243 0	1s	Piston + piston pin	1-27	100 100-3243 0	1	Crankshaft assembly
9	100 015-0023 0	2	Circlip, piston pin	10	-100 012-3243 0	1	Bearing, needle
12	130 516-3083 0	1	Band	28	100 142-3083 0	1	Key, Woodruff
13	130 510-3243 0	1	Adapter, intake	29	100 917-3243 0	1	Cushion
14	433 016-1103 1	1	Screw, adjustment	30	900 281-0501 4	1	Screw 5x14
15	433 028-1103 0	1	Clip	31	900 281-0503 5	4	Screw 5x35
16	433 014-0283 0	1	Tensioner	35	436 001-1983 2	1	Cap assembly, oil
17	433 000-1983 1	1	Catcher kit, chain	36	-436 012-1983 0	1	Gasket
18	-900 281-0502 0	1	Screw 5x20	37	-131 050-1983 0	1	Holder
19	-900 600-0000 5	1	Washer 5	38	-900 258-0300 8	1	Screw 3x8
24	100 301-3243 1	1s	Crankcase set	39	-131 051-1983 0	1	Connector
20	-433 011-1983 0	2	Stud	45	101 506-3263 1	1	Cover, cylinder
23	-436 114-1393 0	1	Valve	46	130 325-3233 0	1	Stud
25	-100 215-0283 0	2	Pin, dowel	47	130 822-3233 0	1	Filter, air
26	-100 121-1983 0	1s	Bearing set, ball	48	130 823-3233 0	1	Filter, air
32	-100 212-1983 0	1	Oilseal				
41	-100 251-3243 0	1	Cushion				



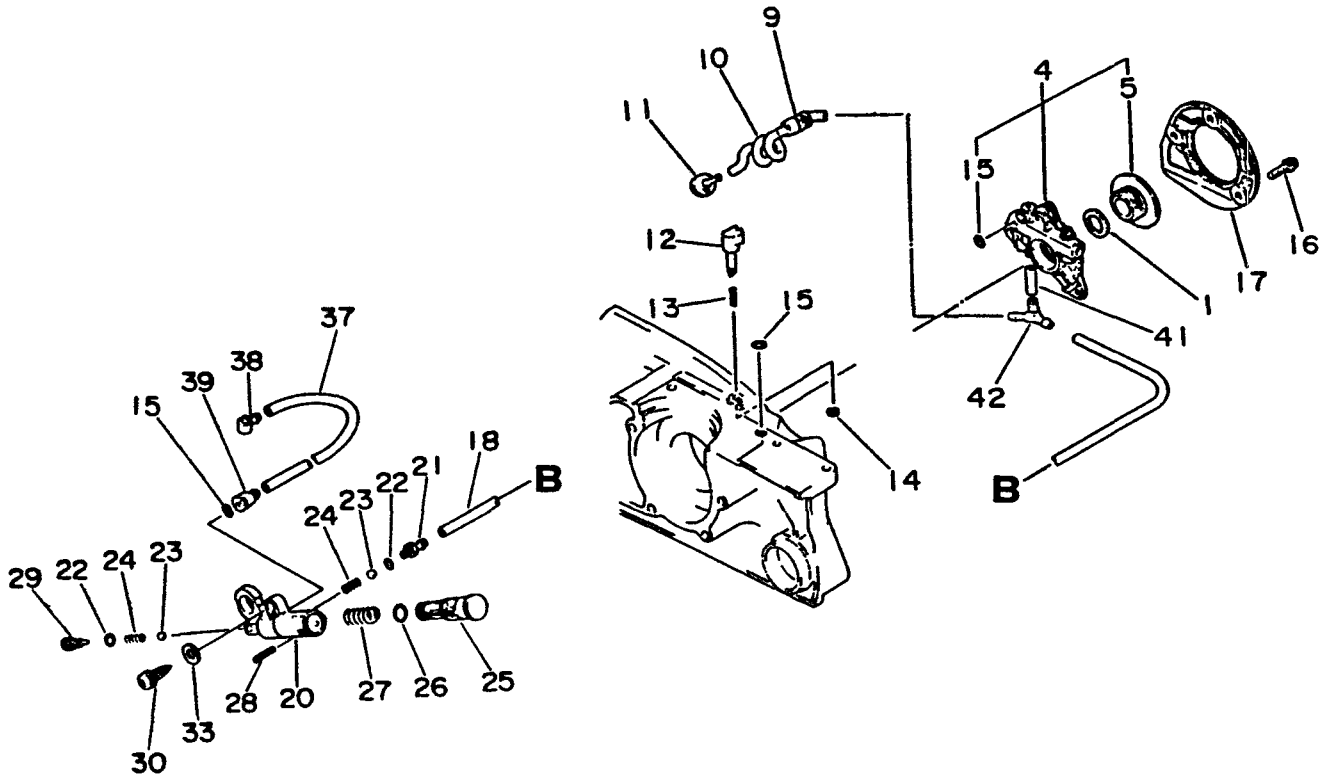
Key No.	Part Number	Q'ty	Description	Key No.	Part Number	Q'ty	Description
2- 5	890 151-3263 0	1	Label	30	178 011-3263 0	1	Rod, throttle
6	130 302-3253 0	1	Cover	32	178 114-3263 0	1	Holder, throttle rod
7	-130 406-3263 0	1	Knob, cleaner cover	33	163 400-3243 0	1	Switch, ignition
8	-900 720-0002 2	1	O-ring 22	34	890 157-1983 0	1	Label
9	-900 720-0001 0	1	O-ring 10	35	162 022-3263 0	1	Lead, ground
11	-130 338-3243 0	1	Plug	37	130 306-3233 0	1	Case, carburetor
12	-130 365-3243 0	1	Gasket	38	156 114-0492 0	1	Grommet
* 10	130 300-3243 1	1	Cleaner assembly, air	44	156 635-3243 0	1	Plate
15	129 013-3083 1	1	Screw, idle speed	48	900 281-0502 0	6	Screw 5x20
16	900 720-0000 7	1	O-ring 7	49	145 510-3243 0	1	Gasket, muffler
17	890 185-0346 0	1	Label	50	145 610-3243 0	1	Muffler
18	100 905-3243 0	1	Cushion	51	145 711-3243 0	1	Bracket
20	132 010-1393 2	1	Pipe	52	900 281-0501 4	2	Screw 5x14
21	900 285-0501 4	1	Screw 5x14	54	145 861-3243 0	1	Lid, muffler
22	900 285-0505 3	2	Screw 5x3	55	900 242-0401 0	2	Screw 4x10
23	129 011-1983 1	1	Plate	61	145 813-3173 0	1	Cover, muffler
24	130 518-3243 1	1	Connector	53	145 862-3263 0	1	Screen
25	123 000-3243 0	1	Carburetor assembly				
29	178 510-3243 0	1	Rod, choke				

* Optional felt air filter-130 300-3263 0



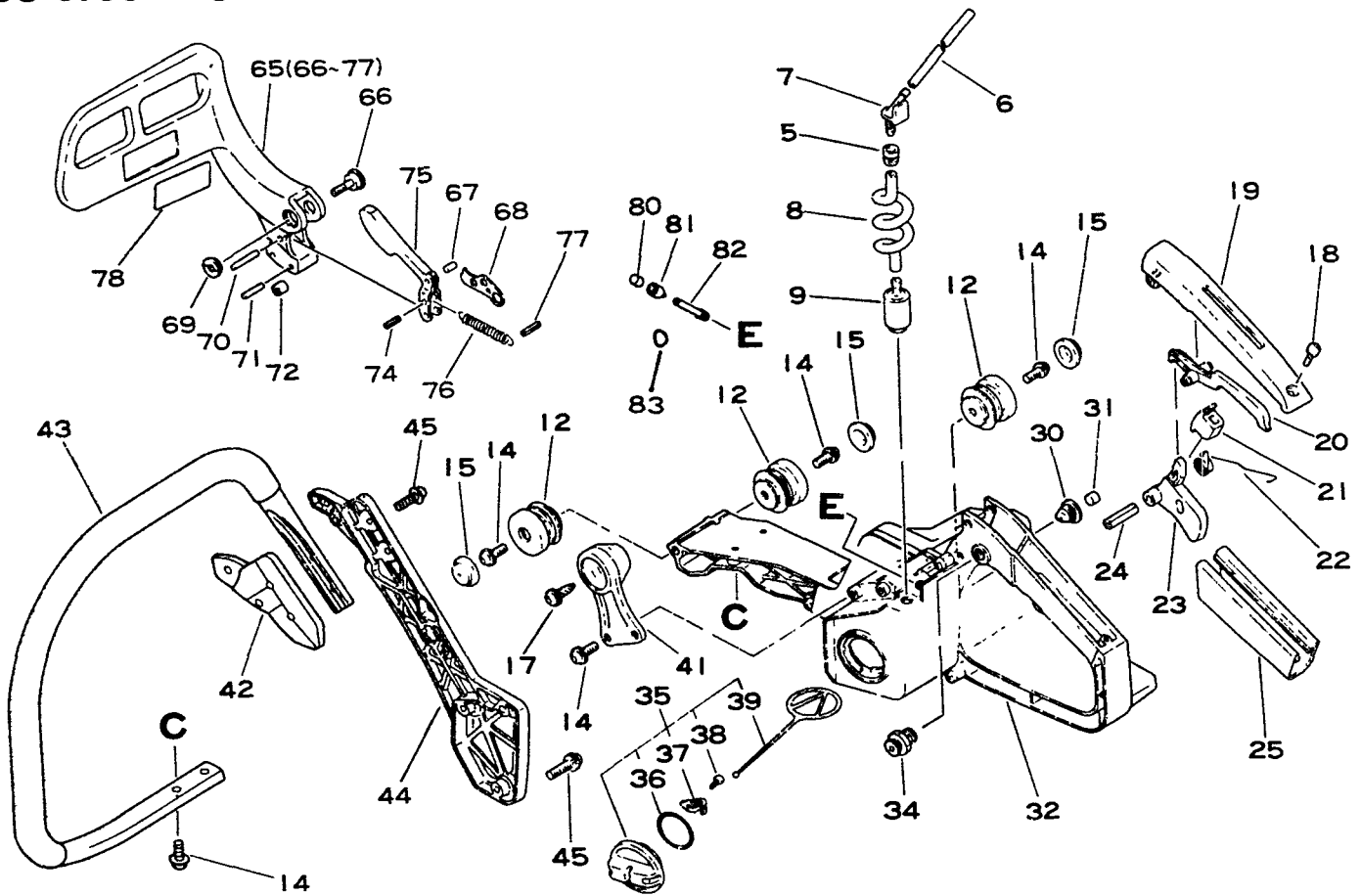
FOR SNOW PROTECTOR INFO. SEE PARTS BULL. 88-13P

Key No.	Part Number	Q'ty	Description	Key No.	Part Number	Q'ty	Description
3- 5	156 800-3013 2	1	Flywheel	32	177 200-3243 1	1	Starter assembly
(1-28)	-100 142-3083 0	1	Key, Woodruff	33	-900 281-0501 4	1	Screw 5x14
6	101 521-3243 0	1	Fan	34	-177 214-0283 0	1	Washer
7	100 143-1983 0	1	Washer	35	-177 206-1233 0	1	Reel, starter
8	900 500-0000 8	1	Nut 8	36	-177 226-0283 0	1	Rope, starter
9	177 234-3083 0	2	Spring, pawl	37	-177 242-3083 0	1	Plate
10	177 247-1233 0	2	Spacer	38	-177 220-0283 4	1	Spring, rewind
11	177 218-3243 0	2	Pawl, starter	39	-177 221-0283 0	1	Plate
12	900 603-0000 5	2	Washer 5	41	-177 228-3083 0	1	Grip, starter
13	900 281-0502 0	4	Screw 5x20	42	-177 227-1063 0	1	Guide, rope
14	900 281-0502 5	2	Screw 5x25	43	-101 507-3233 0	1	Cover, fan
18	900 281-0402 0	4	Screw 4x20	44	-177 216-1233 0	1	Bushing
23	159 012-0343 3	1	Cap, spark plug	45	890 112-1833 1	1	Label
24	159 011-0343 2	1	Coil, spark plug cap	50	150 611-3243 0	1	Tube
25	159 017-1643 1	1	Plug, spark				
26	156 618-3013 0	1	Nut				
27	156 626-3263 0	1	Coil, ignition				
28	156 630-3013 0	1	Lead				
29	156 601-3013 1	1	Module, CDI				
31	101 535-3243 0	1	Cover, fan				



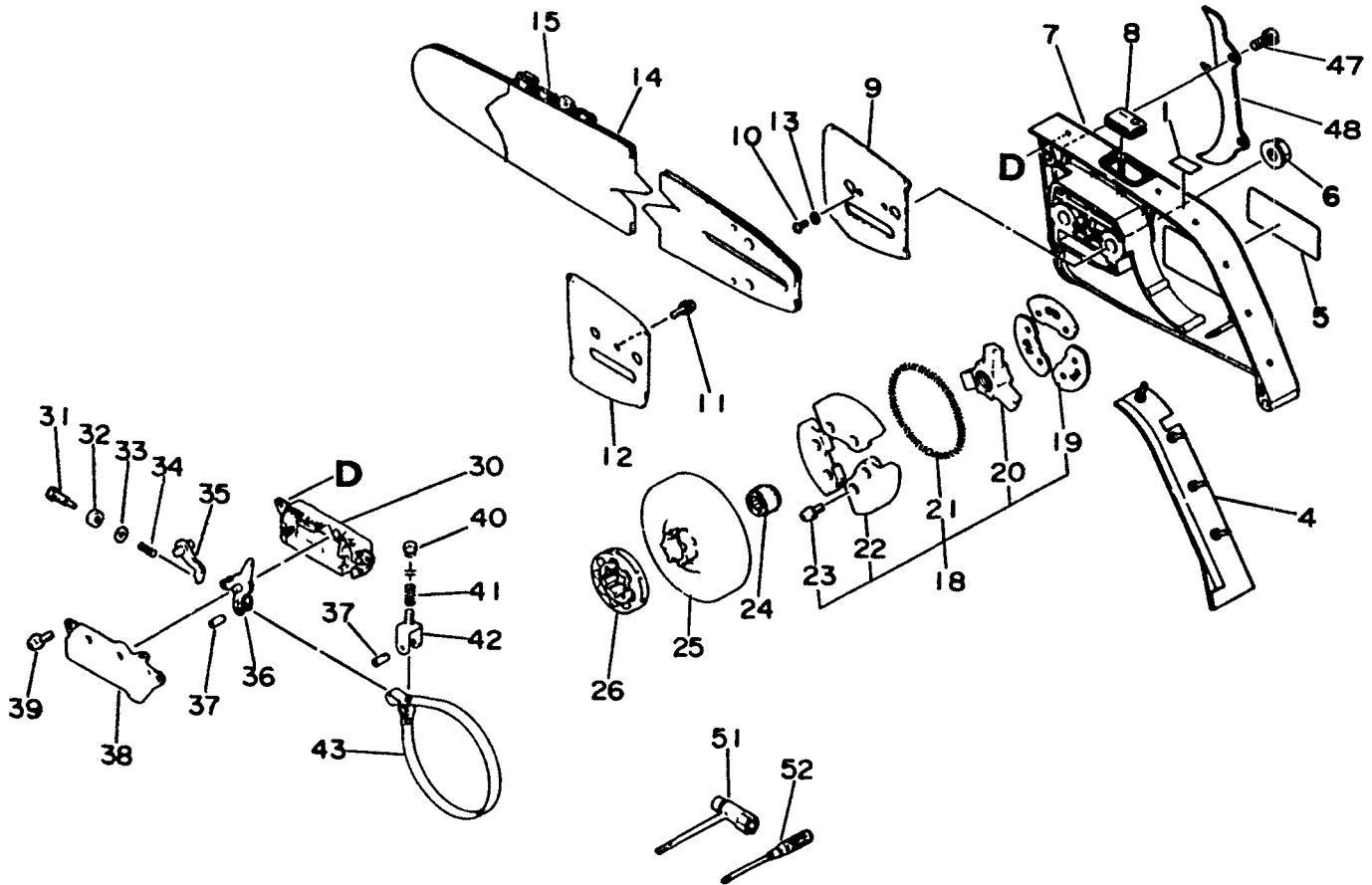
Key No.	Part Number	Q'ty	Description	Key No.	Part Number	Q'ty	Description
4-	100 127-1983 0	1	Washer	23	-437 012-0033 0	2	Ball, valve
4	437 000-3263 0	1	Auto-oiler assembly	24	-437 013-0033 0	2	Spring
5	-437 063-3243 0	1	Wheel, worm	25	-437 112-1983 1	1	Piston, oil pump
15	-900 720-0000 3	1	O-ring 3	26	-900 720-0000 7	1	O-ring 7
				27	-437 111-1983 0	1	Spring
9	132 115-1233 0	1	Grommet	28	-900 345-2001 6	1	Pin, spring 2x16
10	437 210-3243 0	1	Pipe	29	-437 121-1013 0	1	Plug
11	436 205-1473 0	1	Strainer, oil	30	900 285-0502 0	1	Screw 5x20
12	437 039-1983 1	1	Dial, auto-oiler	33	900 603-0000 5	1	Washer 5
13	437 015-1983 0	1	Spring	37	437 216-3263 0	1	Pipe
14	900 700-0000 3	1	E-ring 3	38	437 232-3263 0	1	Connector
15	900 720-0000 3	1	O-ring 3	39	437 212-3263 0	1	Connector
16	900 281-0401 4	3	Screw 4x14	41	437 211-3243 0	1	Pipe
17	437 605-3243 0	1	Plate	42	437 212-3243 0	1	Connector
18	437 210-1513 0	1	Pipe				
	437 100-1983 1	1	Pump assembly, oil				
15	-900 720-0000 3	1	O-ring 3				
20	-437 110-1983 1	1	Body, oil pump				
21	-437 118-1983 0	1	Nipple				
22	-437 122-0343 0	2	O-ring				

CS-6700 5

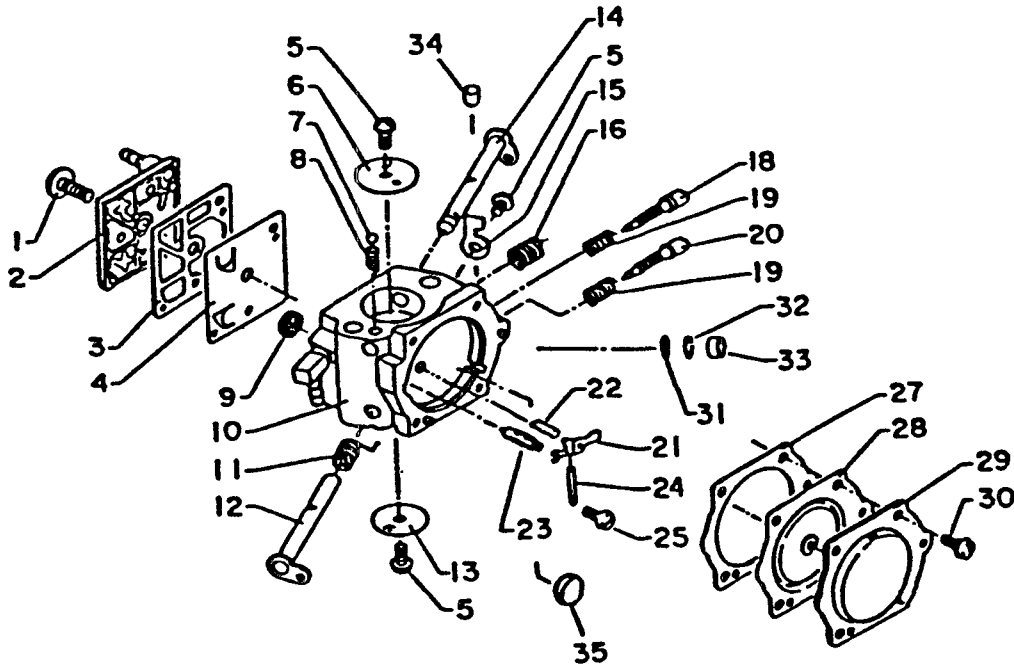


Key No.	Part Number	Q'ty	Description	Key No.	Part Number	Q'ty	Description
5- 5	132 115-0146 0	2	Grommet	39	-131 051-1983 0	1	Connector
6	437 211-1643 0	1	Pipe	41	100 921-3243 0	1	Cushion
7	132 011-1983 0	1	Connector	42	351 614-3243 0	1	Supporter, front handle
8	132 010-3083 0	1	Pipe	43	351 606-3263 0	1	Handle, front
9	131 205-0023 0	1	Strainer, fuel	44	351 613-3243 0	1	Supporter, front handle
12	100 910-3243 0	3	Cushion	45	900 281-0502 0	5	Screw 5x20
14	900 281-0501 4	7	Screw 5x14	* 65	433 203-3263 0	1	Lever assembly, brake
15	100 918-1983 0	3	Plug	66	-433 113-3013 0	1	Pin, pivot
17	900 285-0501 4	1	Screw 5x14	67	-900 330-4008 0	1	Needle 4x8
18	900 281-0401 4	1	Screw 4x14	68	-433 163-3243 0	1	Stopper
19	351 155-3013 1	1	Grip, rear handle	69	-433 137-3013 0	1	Nut
20	178 090-3013 0	1	Lockout, throttle control	70	-900 330-3024 0	1	Needle 3x24
21	178 073-3243 0	1	Cushion	71	-900 330-3018 0	1	Needle 3x18
22	178 043-1983 0	1	Spring	72	-433 168-1993 0	1	Spacer
23	178 010-1983 0	1	Control, throttle	74	-900 345-3001 2	1	Pin, spring 3x12
24	900 345-5002 5	1	Pin, spring 5x25	75	-433 170-3013 0	1	Trigger
25	351 111-1983 0	1	Grip, rear handle	76	-433 114-3013 0	1	Spring
30	131 314-0632 0	1	Valve, check	77	-900 345-3001 6	1	Pin, spring 3x16
31	131 315-0502 0	1	Filter, check valve	80	131 300-4063 0	1	Vent
32	351 103-3243 1	1	Handle, rear	81	131 328-4063 0	1	Cover, vent
34	178 302-1233 0	1	Latch, throttle	82	131 312-3243 0	1	Pipe, vent
35	131 004-1983 0	1	Cap assembly, fuel	83	130 111-0053 0	1	Clip
36	-900 720-0002 9	1	O-ring 29				
37	-131 050-1983 0	1	Holder				
38	-900 258-0300 8	1	Screw 3x8				

* SEE PARTS BULL. 88-6P



Key No.	Part Number	Q'ty	Description	Key No.	Part Number	Q'ty	Description
6-1	890 155-3013 0	1	Label	26	175 033-1473 1	1	Sprocket, rim
5	890 118-1833 1	1	Label		433 202-3253 0	1	Brake kit, chain
6	433 019-1233 0	2	Nut	30	-433 306-1993 0	1	Cover, brake
7	433 002-3243 0	1	Guard, sprocket	31	-433 133-1993 0	1	Bolt
4	-433 025-3243 0	1	Protector	32	-900 502-0000 5	1	Nut 5
8	433 312-1993 0	1	Cover	33	-433 162-1993 0	1	Washer
9	433 012-3083 0	1	Plate, outer	34	-433 122-1993 0	1	Spring
10	900 241-0300 6	1	Screw 3x6	35	-433 209-1993 0	1	Stopper
11	900 281-0401 0	1	Screw 4x10	36	-433 208-3023 0	1	Lever, brake
12	433 013-3083 0	1	Plate, inner	37	-900 340-4001 0	2	Pin, spring 4x10
14	-	1	Bar, guide	38	-433 310-1993 1	1	Cover
15	-	1	Chain, saw	39	-900 281-0401 0	2	Screw 4x10
18	175 000-3243 0	1	Clutch assembly	40	-433 169-1993 1	1	Nut
19	-175 019-1613 0	3	Plate	41	-433 161-1993 0	1	Spring
20	-175 016-3243 0	1	Hub, clutch	42	-433 142-1993 1	1	Adjuster, band
21	-175 018-3243 0	1	Spring, clutch	43	-433 123-3083 0	1	Band, brake
22	-175 002-3243 0	1s	Shoe set, clutch	48	880 200-3243 0	1	Bumper kit, spiked
23	-900 281-0400 8	6	Screw 4x8	47	-880 211-3013 0	2	Bolt
24	175 012-3243 0	1	Bearing, needle	51	895 410-0283 0	1	Wrench w/screwdriver
25	175 105-3243 0	1	Drum, clutch	52	895 812-0393 0	1	Screwdriver



Key No.	Part Number	Q'ty	Description	Key No.	Part Number	Q'ty	Description
7-	123 000-3243 0	1	Carburetor assembly	22	- (A)	1	Spring, metering lever
1	-123 110-1613 0	1	Screw	23	- (A)	1	Valve, inlet needle
2	-123 124-1983 0	1	Cover, pump	24	- (A)	1	Pin, metering lever
3	- (A) (B)	1	Gasket, pump	25	- (A)	1	Screw
4	- (A) (B)	1	Diaphragm, pump	27	- (A) (B)	1	Gasket, metering diaphragm
5	-123 114-0393 0	3	Screw	28	- (A) (B)	1	Diaphragm, metering
6	-123 132-1733 0	1	Valve, choke control	29	-123 142-1733 0	1	Cover, metering diaphragm
7	-123 136-1063 0	1	Ball	30	- (A)	4	Screw
8	-123 135-1063 0	1	Spring	31	- (A)	1	Screen
9	- (A)	1	Screen, inlet	32	- (A)	1	Ring, retaining
11	-123 113-1613 0	1	Spring, throttle return	33	- (A)	1	Plug, Welch
12	-123 117-3243 0	1	Shaft, throttle	34	-123 178-1503 0	1	Plug, fliction
13	-123 132-1613 0	1	Valve, throttle	35	- (A)	1	Plug, Welch
14	-123 131-1983 0	1	Rod, choke control				
15	-123 156-1233 0	1	Stop, throttle				
16	-123 133-1113 0	1	Spring, idle screw				
18	-123 118-1833 1	1	Needle, idle mixture				
19	- (A)	2	Spring, idle needle				
20	-123 120-1833 0	1	Needle, high speed				
21	- (A)	1	Lever, metering				

(A) Use Carburetor repair kit ; 123 100-1983 0
 (B) Use Carburetor diaphragm/gasket kit ; 123 101-1733 0



ECHO, INCORPORATED

400 Oakwood Road, Lake Zurich, Illinois 60047
 Phone · 312-540-8400