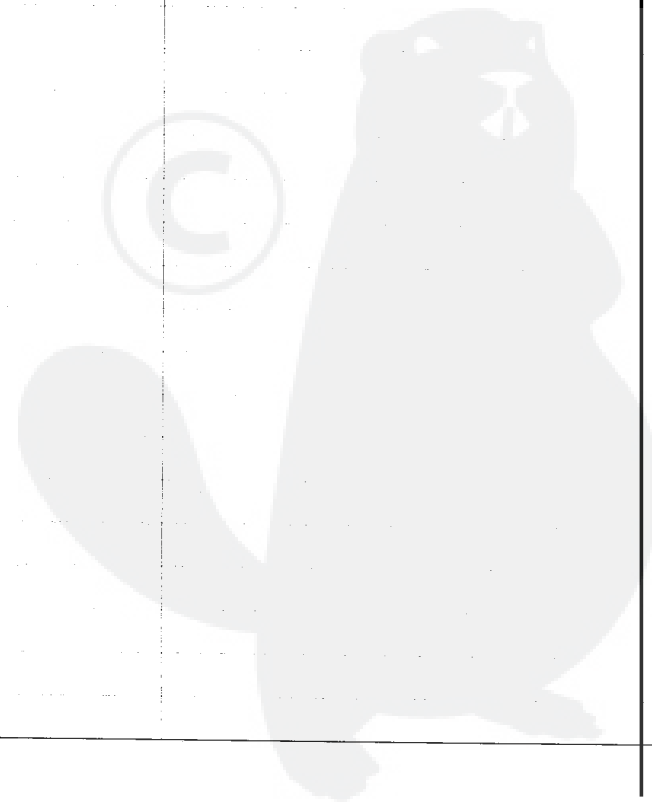


# P a r t s L i s t

Group:Chain Saws Model:CS-350WES(36) Section:Cylinder, Crankcase, Piston( 1)

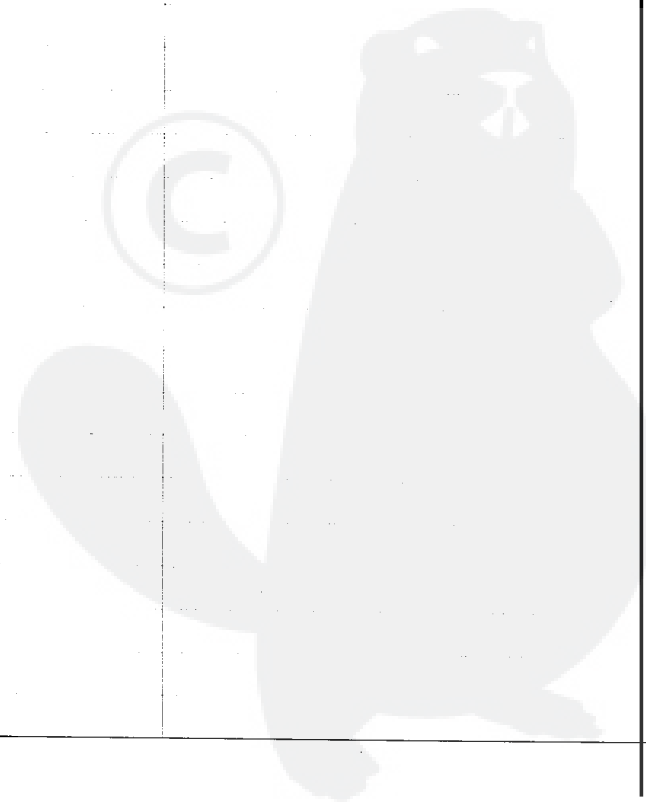
Key	Lv	Part Number	Q'ty	Description	Remarks	Note
1		P021-004921	1	CRANKCASE SET	Sus. by P021-009250	
1		P021-009250	1	CRANKCASE SET		
2	+	900162-05025	4	BOLT, H.S. 5*25		
3		P021-004932	1	PISTON KIT	Sus. by P021-009230	
3		P021-009230	1	PISTON KIT		
4	+	100011-13330	1	RING, PISTON	Sus. by A101-000120	
4	+	A101-000120	1	RING, PISTON		
5	+	100013-15330	1	PIN, PISTON		
6	+	100015-04630	2	CIRCLIP, PISTON PIN		
7	+	100014-60930	2	SPACER, PISTON PIN		
8	+	V553-000040	1	BEARING, NEEDLE 8		
9		P021-004940	1	CRANKSHAFT ASY	Sus. by P021-004941	
9		P021-004941	1	CRANKSHAFT ASY	Sr/Nr 36004400 and before	
9		P021-005511	1	CRANKSHAFT ASY	Sr/Nr 36004401 to 36015370	
9		P021-010701	1	CRANKSHAFT ASY	Sr/Nr 36020001 and after	
10	+	94035-36201	2	BEARING BALL		
11	+	V505-000010	2	SEAL, OIL 12		
12	+	V652-000010	1	GEAR, WORM	Sr/Nr 36015370 and before	
15		C305-000070	1	PLATE, SPROCKET GUARD	Sus. by C305-000080	
16		V420-001110	1	CUSHION		
17		433011-03931	2	STUD, GUIDE BAR		
18		900253-04010	1	SCREW 4*10		
19		900106-05020	2	BOLT, H.S. 5*20		
20		P021-008740	1	DUSTCOVER SET	Sus. by P021-008741	
20		P021-008741	1	DUSTCOVER SET		
21	+	V341-000040	1	WASHER, SQUARE		
22		163911-30130	1	PLUG		
23		P021-008670	1	COVER ENGINE	Sus. by P021-008676	

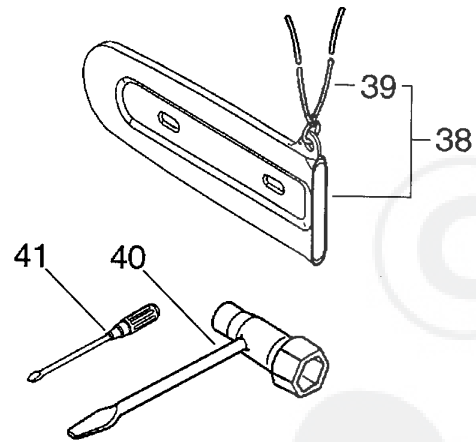
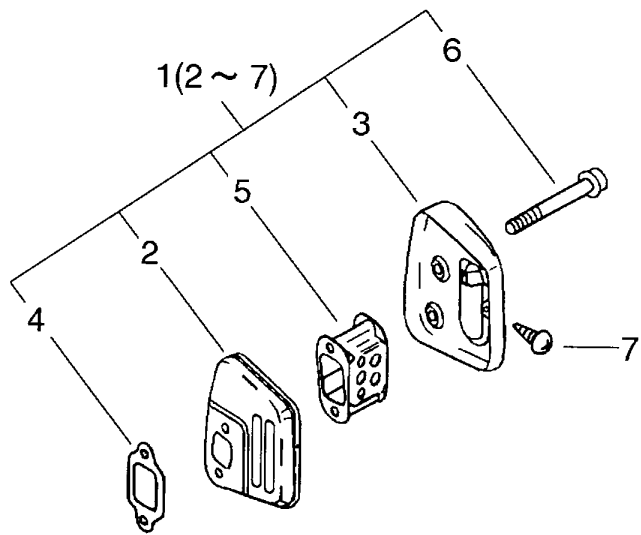


# Parts List

Group:Chain Saws Model:CS-350WES(36) Section:Cylinder, Crankcase, Piston( 1)

Key	Lv	Part Number	Q'ty	Description	Remarks	Note
23		P021-008671	1	COVER ENGINE	Sus. by P021-008676	
23		P021-008672	1	COVER ENGINE	Sus. by P021-008676	
23		P021-008673	1	COVER ENGINE	Sus. by P021-008676	
23		P021-008674	1	COVER ENGINE	Sus. by P021-008676	
23		P021-008675	1	COVER ENGINE	Sus. by P021-008676	
23		P021-008676	1	COVER ENGINE		
24		900106-05020	2	BOLT, H.S. 5*20	Sr/Nr 36001850 and before	
24	+	900106-05030	2	BOLT, H.S. 5*30	Sr/Nr 36001851 and after	
25	+	433026-35430	1	O-RING (S-4)	Sr/Nr 36003701 and after	
26		900253-05020	1	SCREW 5*20		
27		C304-000000	1	SPIKE		
28		900253-05020	1	SCREW 5*20		
29		900253-04012	2	SCREW		
30		100142-12330	1	KEY, WOODRUFF		
31		P021-005732	1	BELLOWS, INTAKE KIT	Sr/Nr 36023860 and before	
32	+	91420-05012	2	SCREW		
34		V359-000060	1	COLLAR, 16		
35		V470-000481	1	PIPE		
36		433026-35430	1	CATCHER, CHAIN		

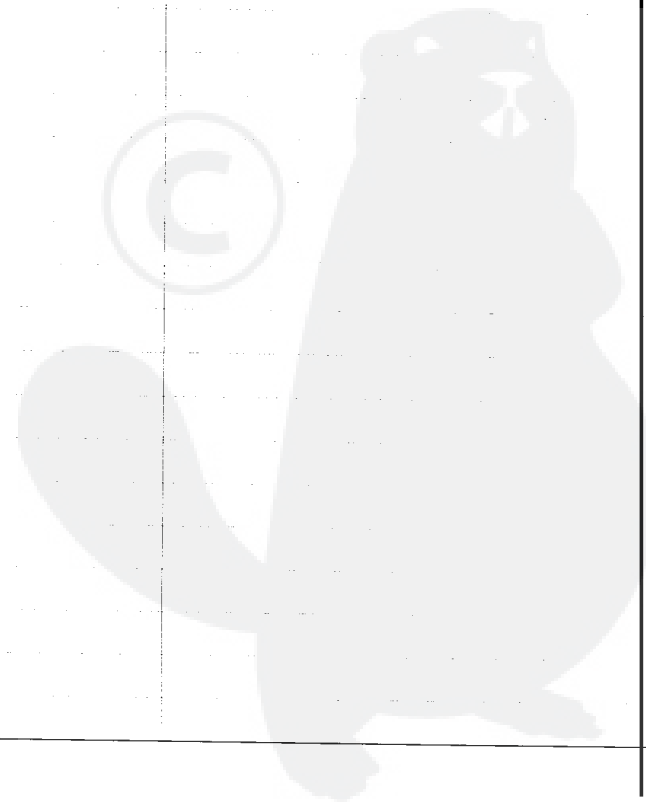


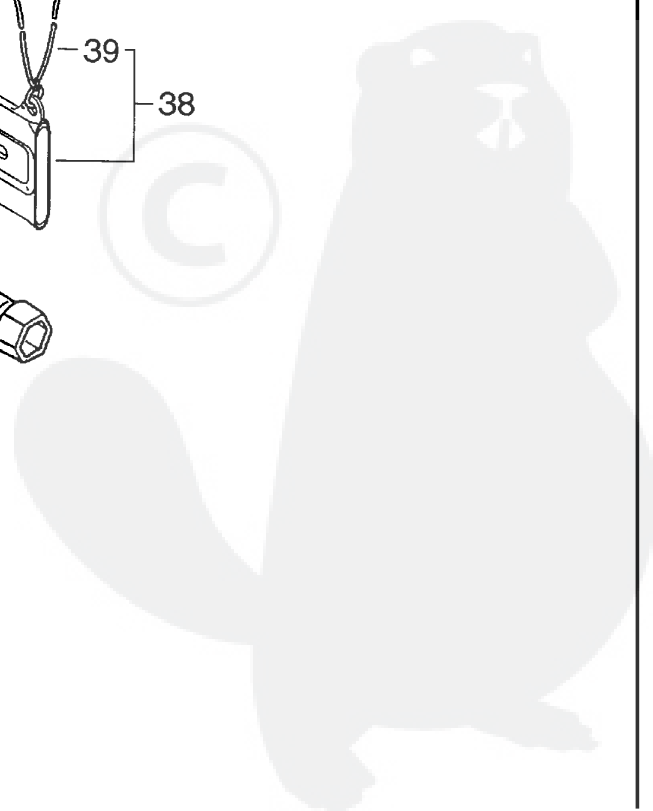
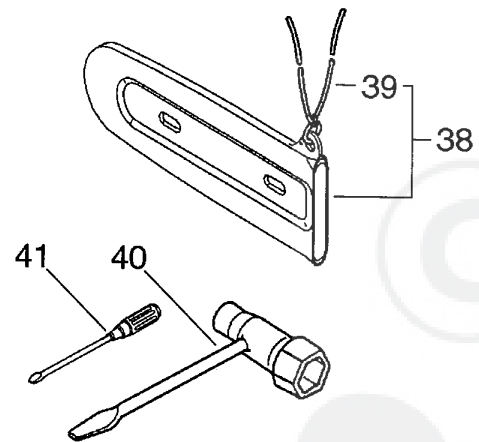
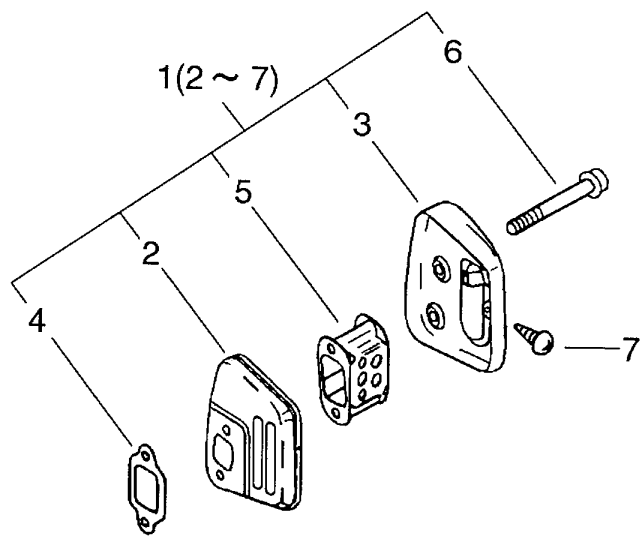


# Parts List

Group:Chain Saws Model:CS-350WES(36) Section:Muffler ,Tools(Sr/Nr 36023860 and before)( 2)

Key	Lv	Part Number	Q'ty	Description	Remarks	Note
1		P021-004952	1	MUFFLER ASY	Sus. by P021-009930	
2	+	A300-000370	1	MUFFLER,EXHAUST		
3	+	P021-008650	1	MUFFLER LID ASY		
4	+	145510-13931	1	GASKET, MUFFLER		
5	+	A301-000000	1	PLATE,MUFFLER		
6	+	91107-05040	2	BOLT HSH FLANGE		
7	+	900250-04008	1	SCREW 4*8		
38		P021-006951	1	SCABBARD,CHAIN	OPTION	
39	+	898568-14530	1	ROPE	OPTION	
40		895410-03930	1	WRENCH, W/S. DRIVER		
41		895812-03930	1	DRIVER, SCREW 50		

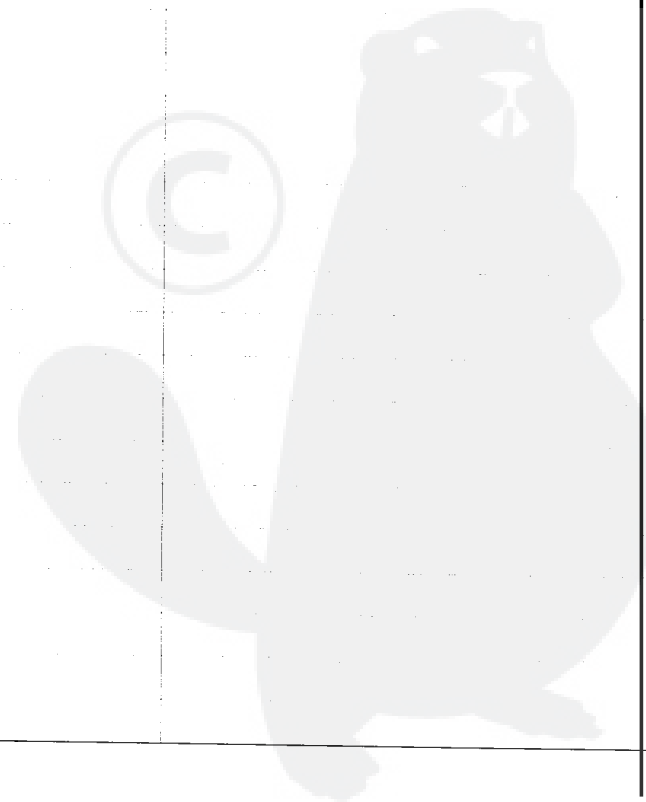


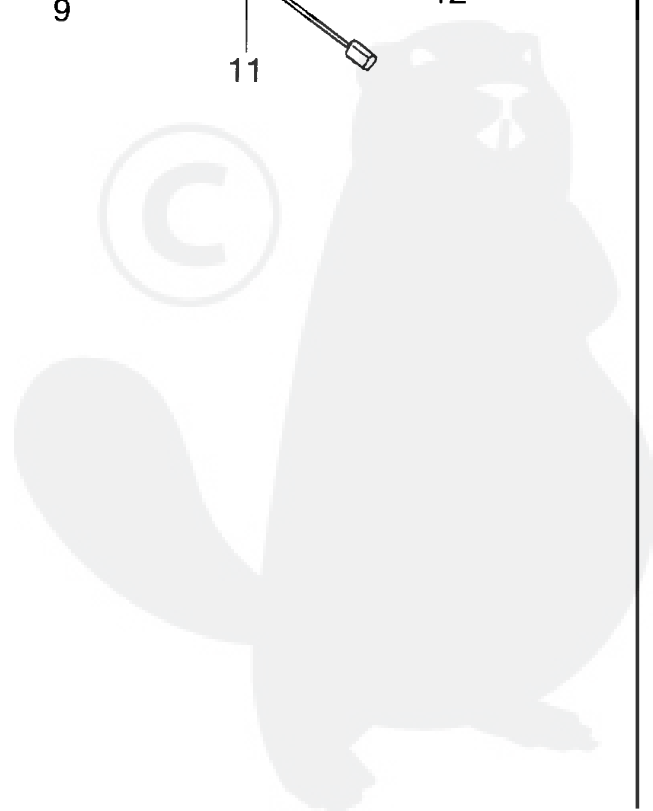
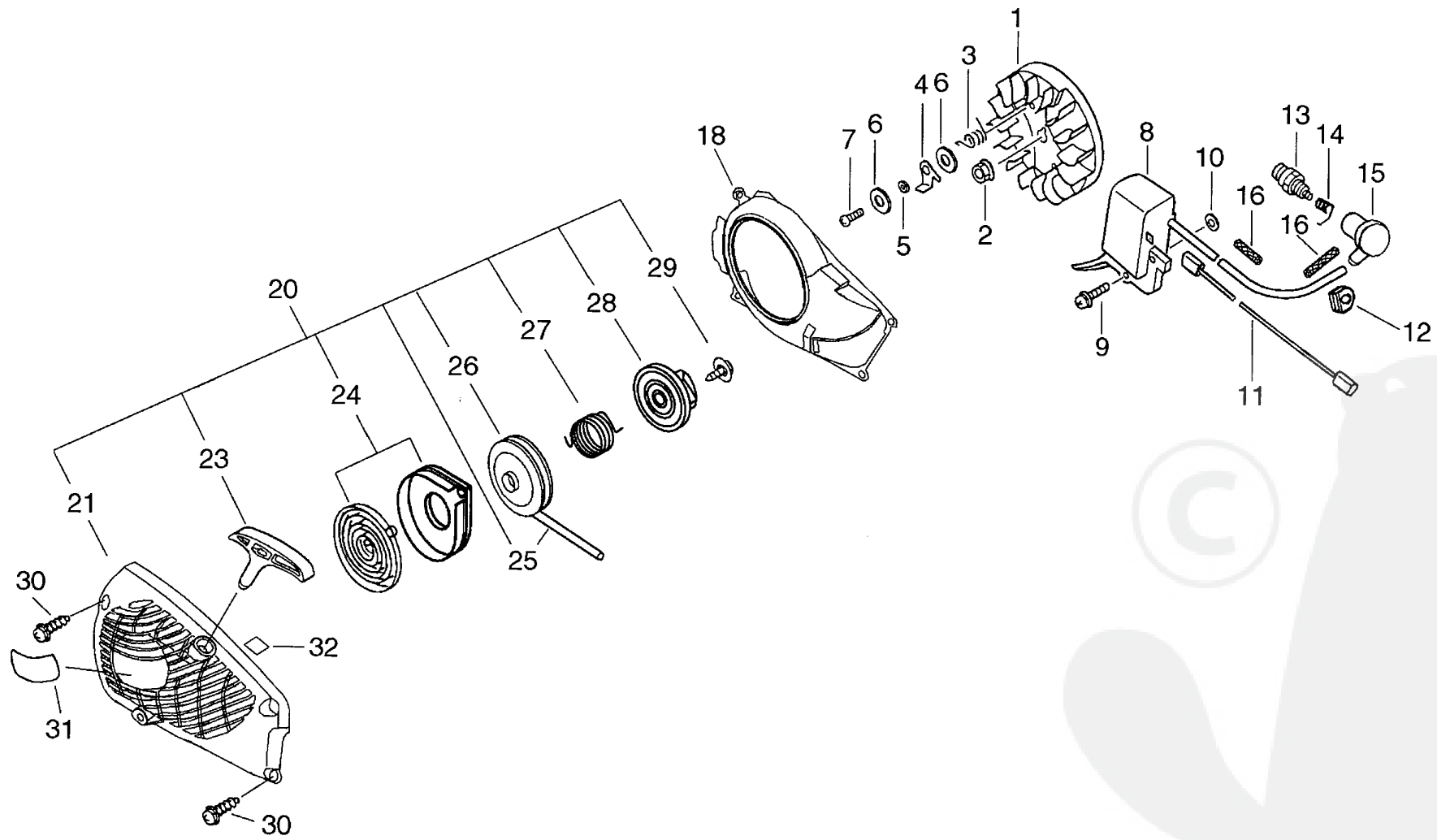


# P a r t s L i s t

Group:Chain Saws Model:CS-350WES(36) Section:Muffler ,Tools(Sr/Nr 36023861 and after) ( 3)

Key	Lv	Part Number	Q'ty	Description	Remarks	Note
1		P021-004952	1	MUFFLER ASY	Sus. by P021-009930	
1		P021-009930	1	MUFFLER ASY		
2	+	A300-000370	1	MUFFLER, EXHAUST		
3	+	P021-008650	1	MUFFLER LID ASY		
4	+	145510-13931	1	GASKET, MUFFLER		
5	+	A301-000000	1	PLATE, MUFFLER		
6	+	91107-05040	2	BOLT HSH FLANGE		
7	+	900250-04008	1	SCREW 4*8		
38		P021-006951	1	SCABBARD, CHAIN		
39	+	898568-14530	1	ROPE		
40		895410-03930	1	WRENCH, W/S. DRIVER		
41		895812-03930	1	DRIVER, SCREW 50		



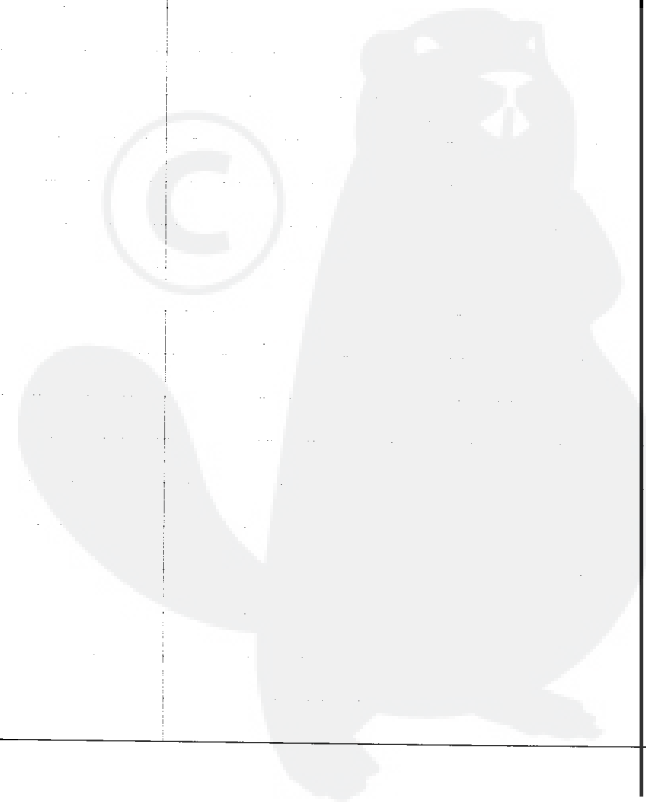




# P a r t s L i s t

Group:Chain Saws Model:CS-350WES(36) Section:Starter, Magneto(Sr/Nr 36023860 and before)( 4)

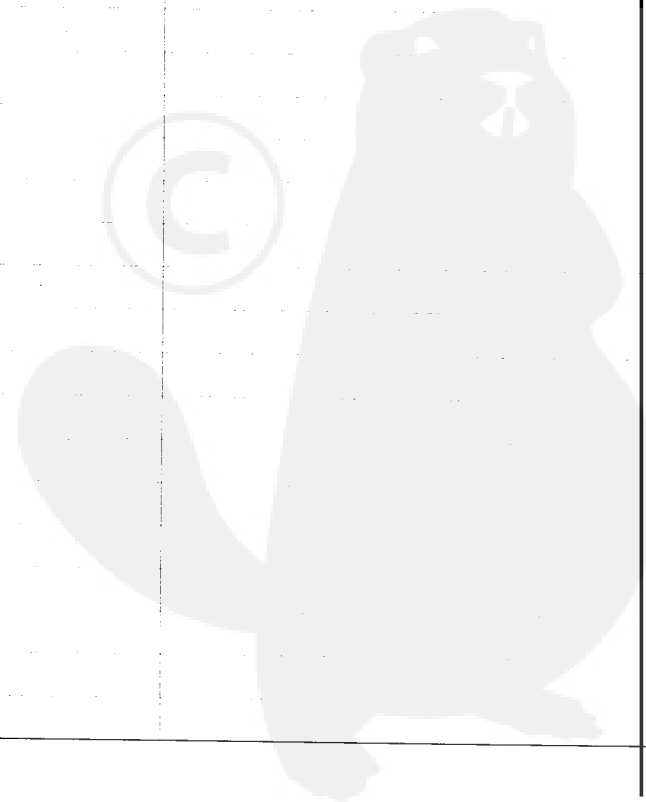
Key	Lv	Part Number	Q'ty	Description	Remarks	Note
1		A409-000170	1	ROTOR, MAGNETO		
2		900515-00008	1	NUT, FLANGE 8		
3		177234-35430	2	SPRING, RETURN		
4		A514-000020	2	PAWL		
5		177247-04630	2	SPACER, RATCHET		
6		900603-00005	4	WASHER 5		
7		V203-000080	2	BOLT, 5		
8		A411-000150	1	COIL, IGNITION		
9		900238-05022	2	SCREW 5*22		
10		150117-16430	2	SPACER		
11		V485-000550	1	LEAD		
12		156110-04920	1	BUSHING		
13		159010-10230	1	PLUG, SPARK (BPMR-7A		
14		A426-000000	1	TERMINAL, SPARKPLUG		
15		A427-000000	1	CAP, SPARK PLUG		
16		V475-002390	1	TUBE	Sr/Nr 36003700 and before	
16		V475-002390	2	TUBE	Sr/Nr 36003701 and after	
18		A172-000500	1	COVER, FAN	Sus. by A172-000501	
18		A172-000501	1	COVER, FAN		
20		A051-000800	1	STARTER, RECOIL	Sus. by A051-000802	
20		A051-000801	1	STARTER, RECOIL	Sus. by A051-000802	
20		A051-000802	1	STARTER, RECOIL		
21	+	P022-009770	1	STARTER, RECOIL	Sus. by P022-009771	
21	+	P022-009771	1	STARTER, RECOIL		
23	+	P022-005890	1	GRIP, STARTER		
24	+	P022-001330	1	SPRING KIT, REWIND		
25	+	P022-008440	1	ROPE, STARTER		
26	+	A506-000030	1	REEL, ROPE		

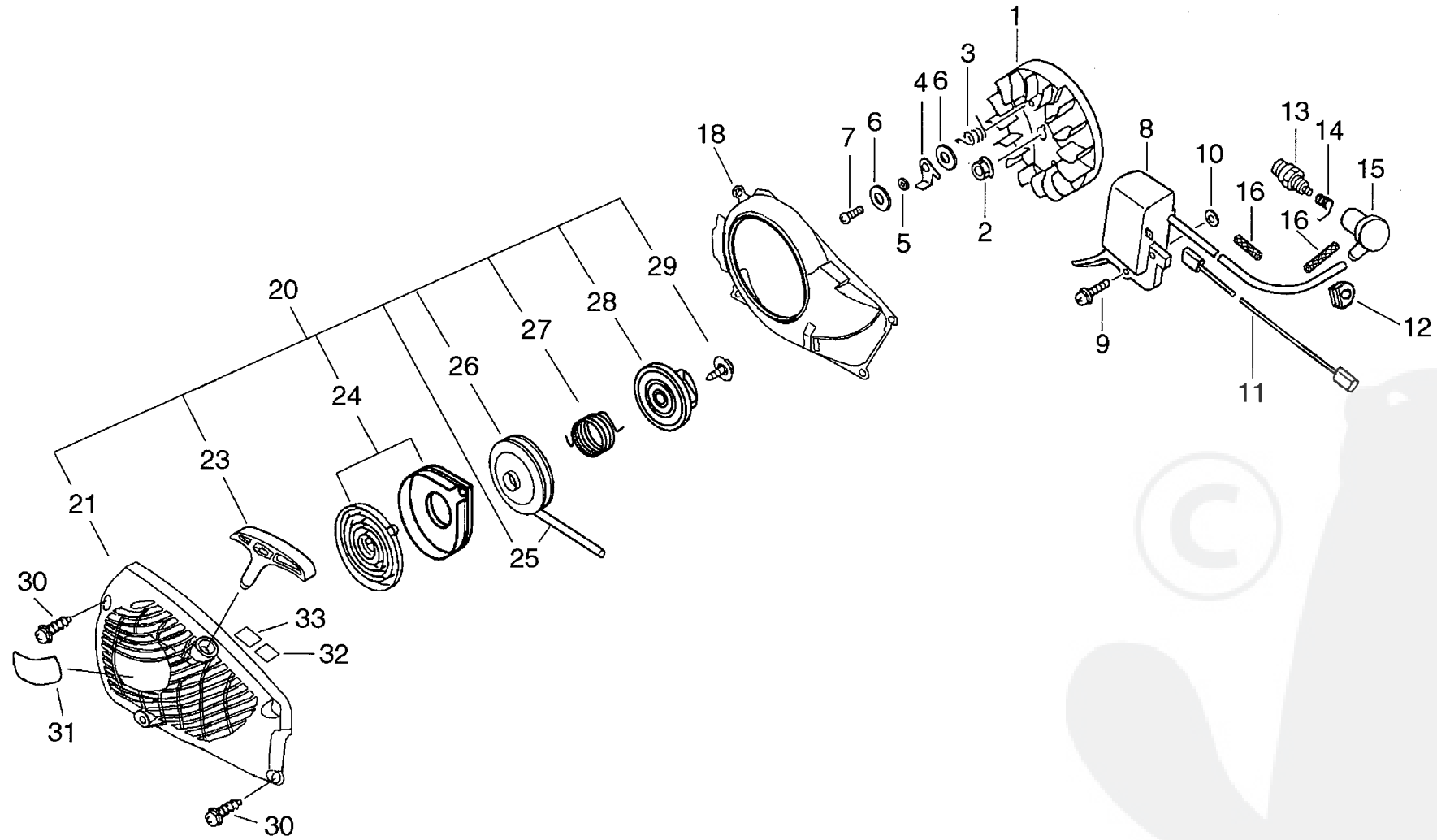


# Parts List

Group:Chain Saws Model:CS-350WES(36) Section:Starter, Magneto(Sr/Nr 36023860 and before) ( 4)

Key	Lv	Part Number	Q'ty	Description	Remarks	Note
27	+	V452-000220	1	SPRING, TORSION		
28	+	A507-000020	1	CATCHER, PAWL	Sus. by A507-000021	
28	+	A507-000021	1	CATCHER, PAWL		
29	+	177236-61830	1	SCREW		
30		900256-04016	4	SCREW 4*16		
31		X502-000100	1	LABEL, ECHO	Sus. by X502-000101	
31		X502-000101	1	LABEL, ECHO		
32		X505-000180	1	LABEL, CAUTION		

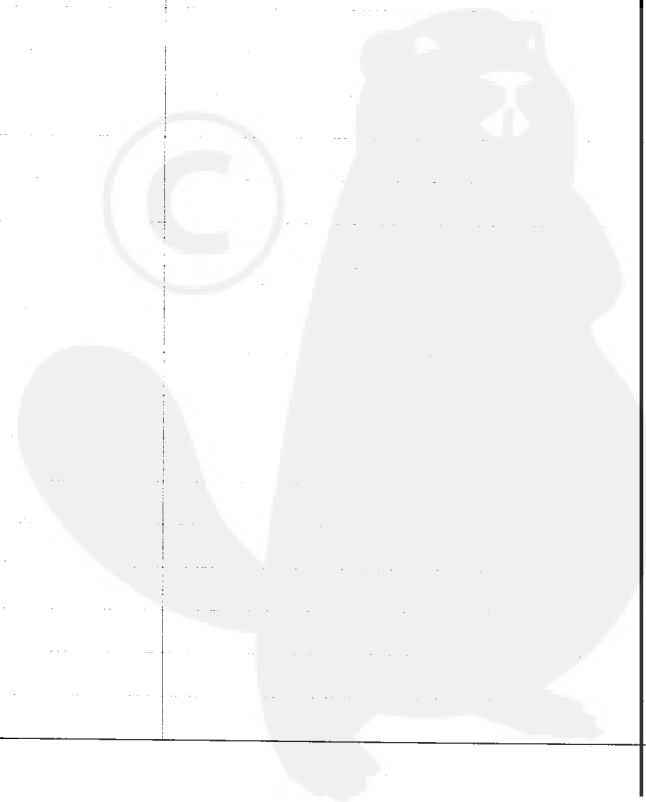




# Parts List

Group:Chain Saws Model:CS-350WES(36) Section:Starter, Magneto(Sr/Nr 36023861 and after)( 5)

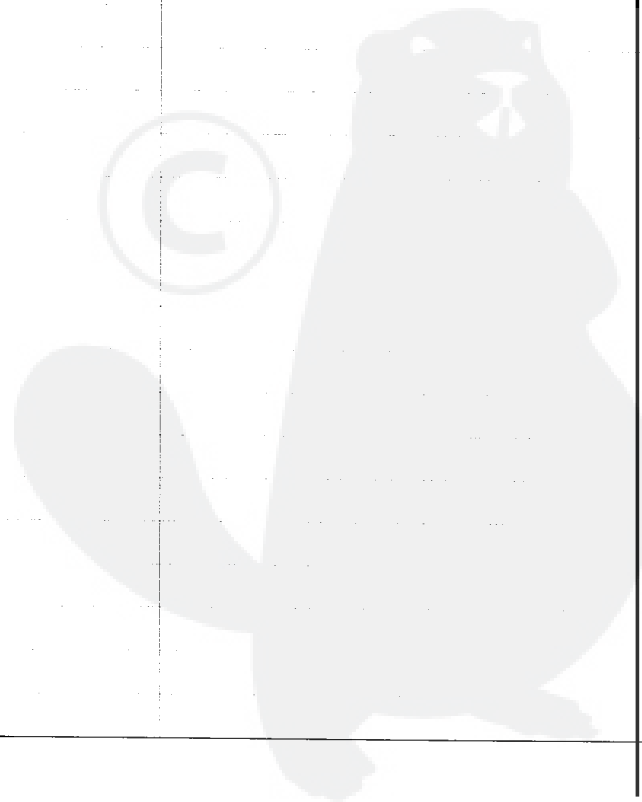
Key	Lv	Part Number	Q'ty	Description	Remarks	Note
1		A409-000170	1	ROTOR, MAGNETO		
2		900515-00008	1	NUT, FLANGE 8		
3		177234-35430	2	SPRING, RETURN		
4		A514-000020	2	PAWL		
5		177247-04630	2	SPACER, RATCHET		
6		900603-00005	4	WASHER 5		
7		V203-000080	2	BOLT, 5		
8		A411-000150	1	COIL, IGNITION		
9		900238-05022	2	SCREW 5*22		
10		150117-16430	2	SPACER		
11		V485-000550	1	LEAD		
12		156110-04920	1	BUSHING		
13		159010-10230	1	PLUG, SPARK (BPMR-7A		
14		A426-000000	1	TERMINAL, SPARKPLUG		
15		A427-000000	1	CAP, SPARK PLUG		
16		V475-002390	1	TUBE	Qty 1->2	
16		V475-002390	2	TUBE		
18		A172-000501	1	COVER, FAN		
20		A051-000802	1	STARTER, RECOIL		
21	+	P022-009771	1	STARTER, RECOIL		
23	+	P022-005890	1	GRIP, STARTER		
24	+	P022-001330	1	SPRING KIT, REWIND		
25	+	P022-008440	1	ROPE, STARTER		
26	+	A506-000030	1	REEL, ROPE		
27	+	V452-000220	1	SPRING, TORSION		
28	+	A507-000021	1	CATCHER, PAWL		
29	+	177236-61830	1	SCREW		
30		900256-04016	4	SCREW 4*16		

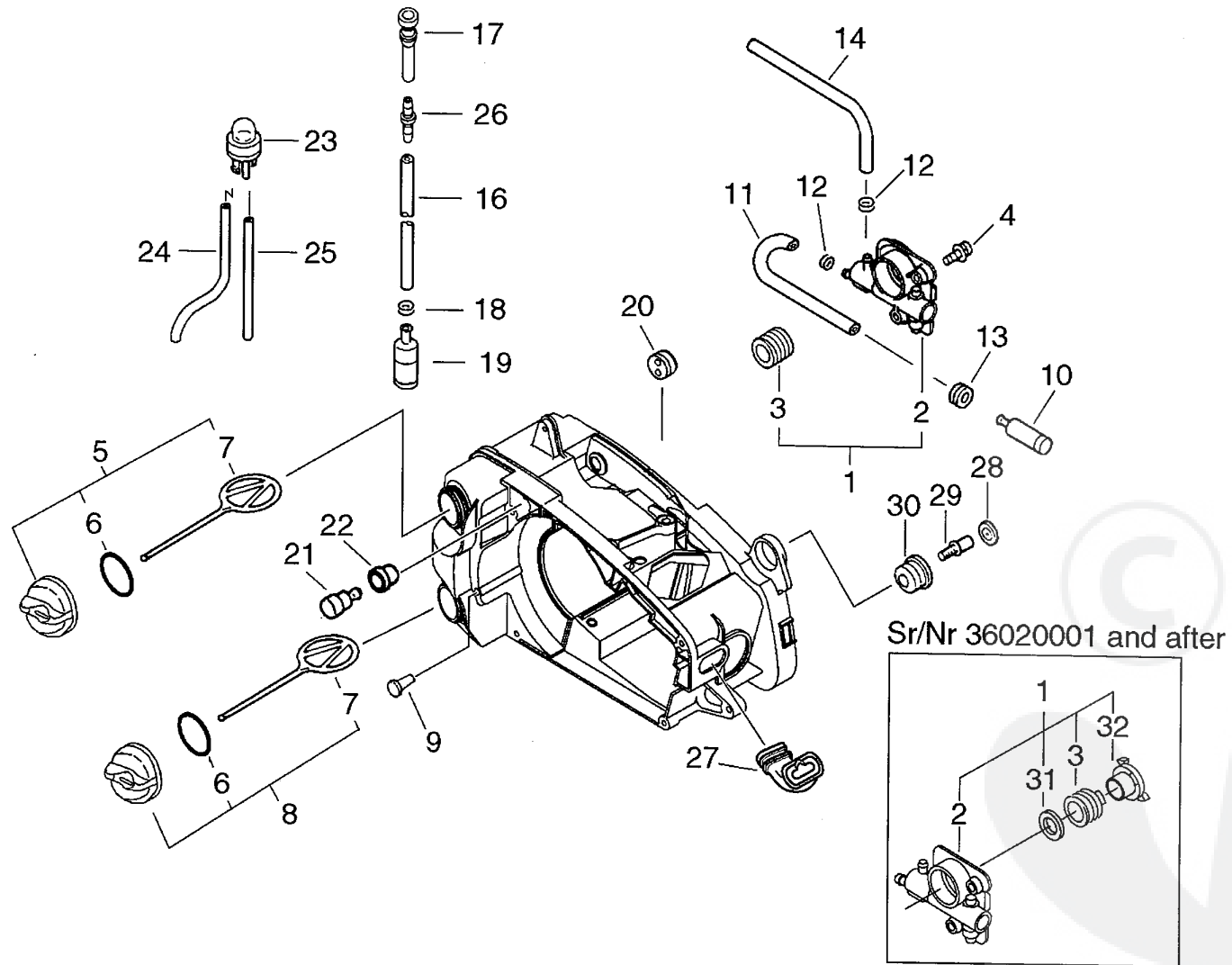


**Parts List**

Group:Chain Saws Model:CS-350WES(36) Section:Starter, Magneto(Sr/Nr 36023861 and after)( 5)

Key	Lv	Part Number	Q'ty	Description	Remarks	Note
31		X502-000100	1	LABEL,ECHO	Sus. by X502-000101	
31		X502-000101	1	LABEL,ECHO		
32		X505-000180	1	LABEL,CAUTION		
33		X530-000210	1	LABEL,EYE CATCHER		

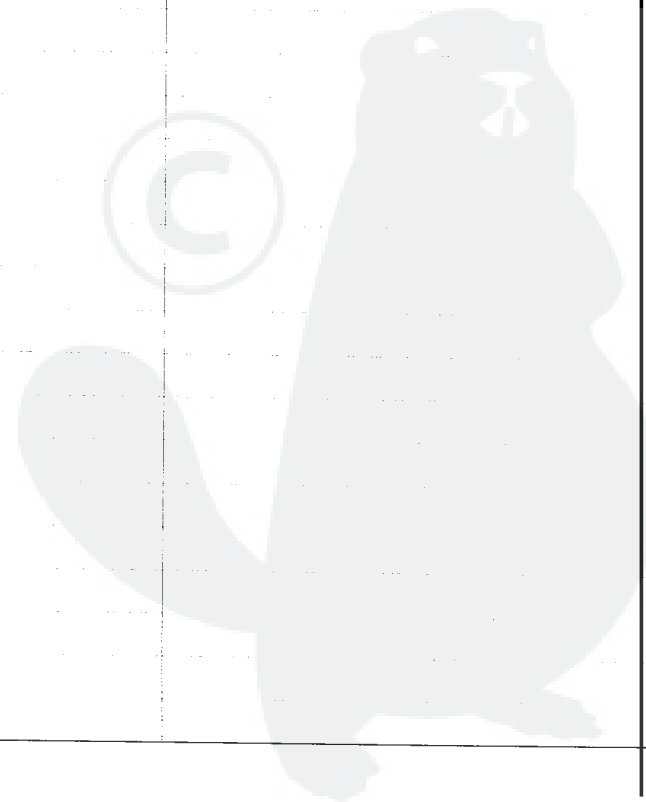




# P a r t s L i s t

Group:Chain Saws Model:CS-350WES(36) Section:Auto-Oiler( 6)

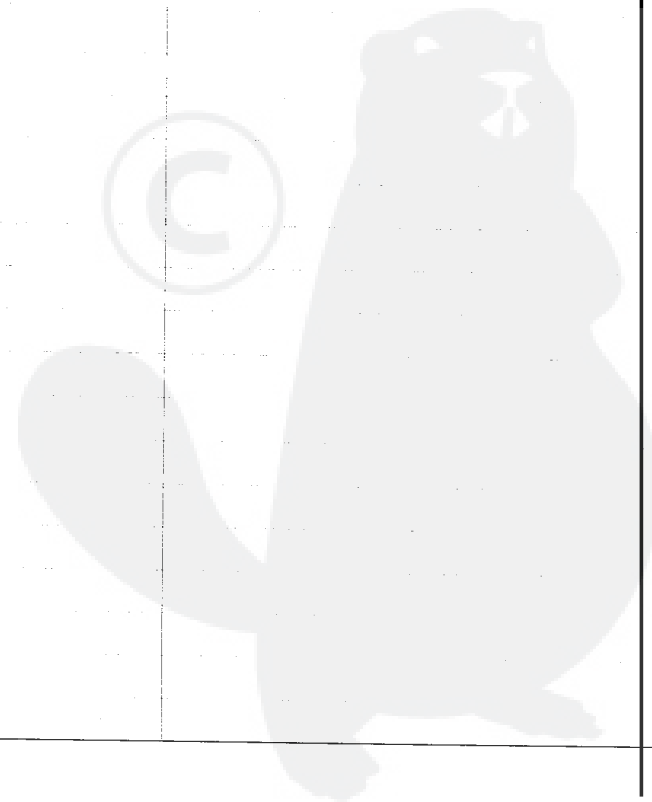
Key	Lv	Part Number	Q'ty	Description	Remarks	Note
1		P021-001980	1	AUTO-OILER ASY	Sr/Nr 36015370 and before	
1		P021-010890	1	AUTO-OILER ASY	Sr/Nr 36020001 and after	
2	+	C022-000000	1	OILER, ASM AUTO	Sr/Nr 36015370 and before	
2	+	C022-000020	1	AUTO-OILER ASSEMBLY	Sr/Nr 36020001 and after	
3	+	V652-000010	1	GEAR, WORM	Sr/Nr 36015370 and before	
3	+	V652-000030	1	GEAR, WORM	Sr/Nr 36020001 and after	
31	+	V308-000030	1	WASHER, CIRCULAR 11	Sr/Nr 36020001 and after	
32	+	V356-000290	1	COLLAR, 10	Sr/Nr 36020001 and after	
4		900238-04012	2	SCREW 4*12		
5		P021-005591	1	FUEL CAP ASY		
6	+	900720-00018	1	O-RING 18		
7	+	A365-000050	1	CONNECTOR, CAP		
8		P021-005581	1	OIL CAP ASY		
6	+	900720-00018	1	O-RING 18		
7	+	A365-000050	1	CONNECTOR, CAP		
9		436114-13930	1	VALVE, CHECK		
10		436205-02832	1	STRAINER, OIL		
11		V471-000740	1	PIPE		
12		132013-26630	1	CLIP	Sr/Nr 36003700 and before	
12		132013-26630	2	CLIP	Sr/Nr 36003701 and after	
13		132115-01461	1	GROMMET, FUEL		
14		V471-000760	1	PIPE		
16		V471-000750	1	PIPE		
17		V470-000320	1	PIPE		
18		132013-09820	1	CLIP		
19		131205-14930	1	STRAINER, FUEL		
20		132115-44330	1	GROMMET		
21		131300-56430	1	VALVE, CHECK		



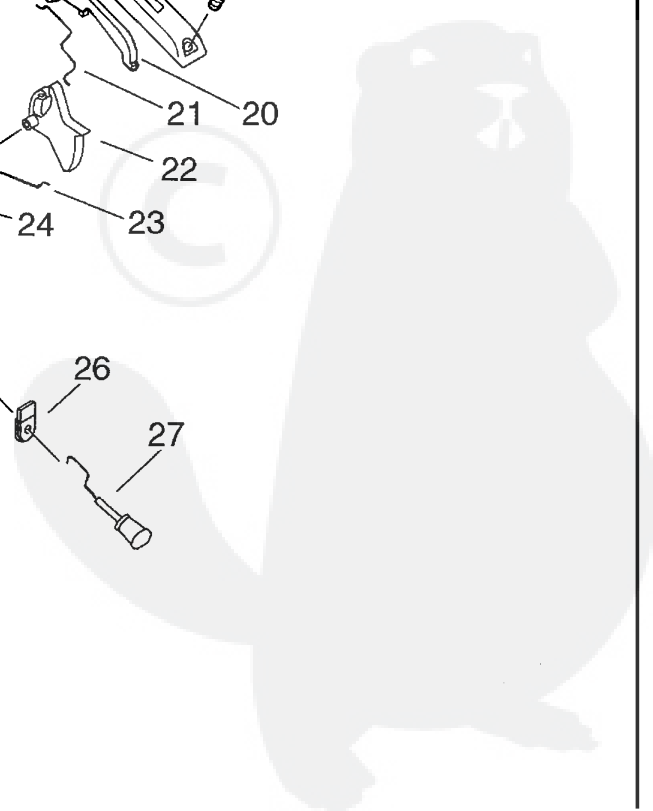
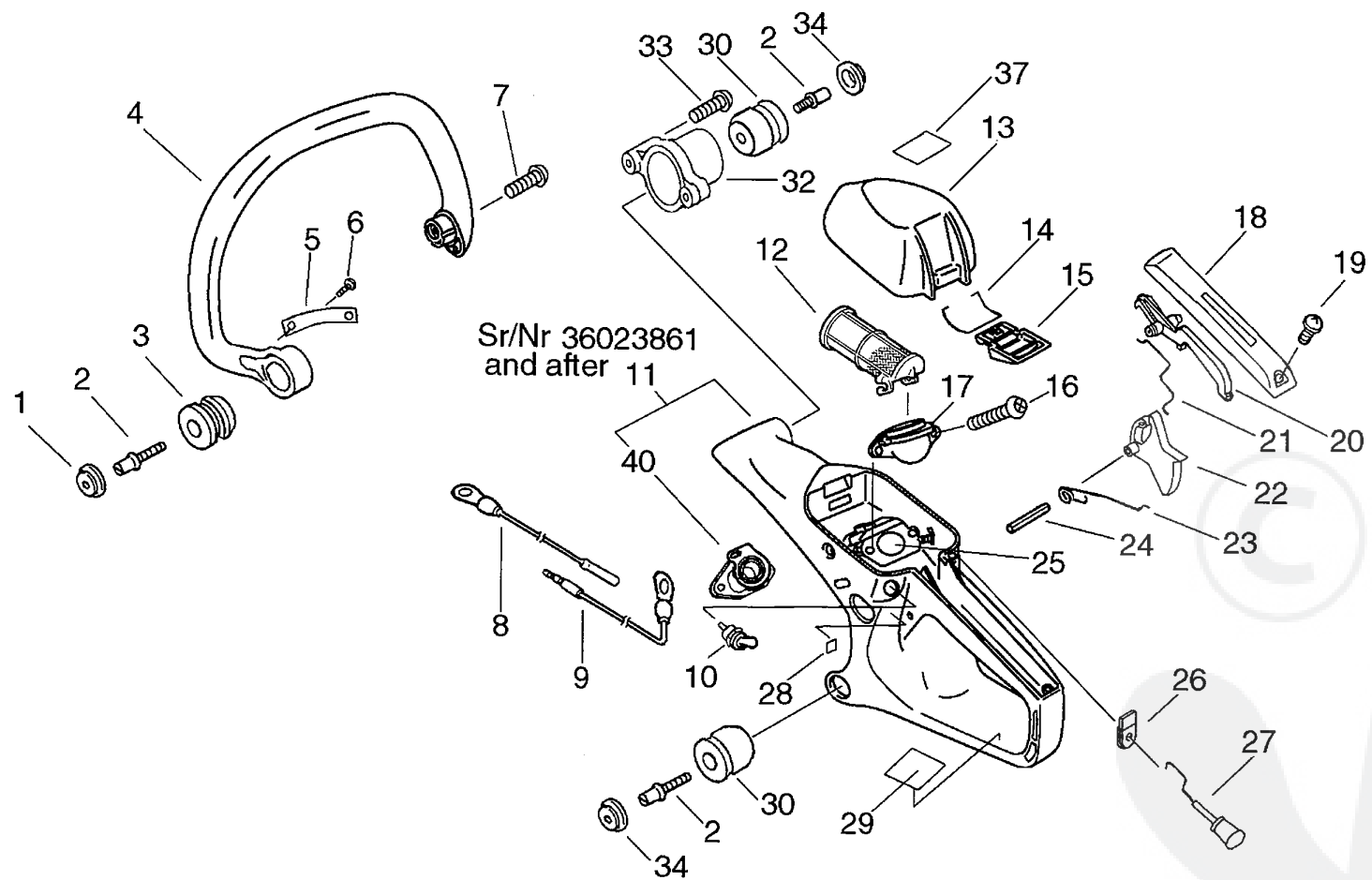
# Parts List

Group:Chain Saws Model:CS-350WES(36) Section:Auto-Oiler( 6)

Key	Lv	Part Number	Q'ty	Description	Remarks	Note
22		V137-000000	1	GROMMET, FUEL		
23		123181-39130	1	PUMP, PRIMER		
24		V471-001440	1	PIPE		
25		V471-001290	1	PIPE		
26		V186-000020	1	JOINT, PIPE		
27		A239-000030	1	PIPE, INTAKE		
28		100918-15130	1	CAP		
29		V202-000020	1	BOLT, 4		
30		100910-18830	1	CUSHION		



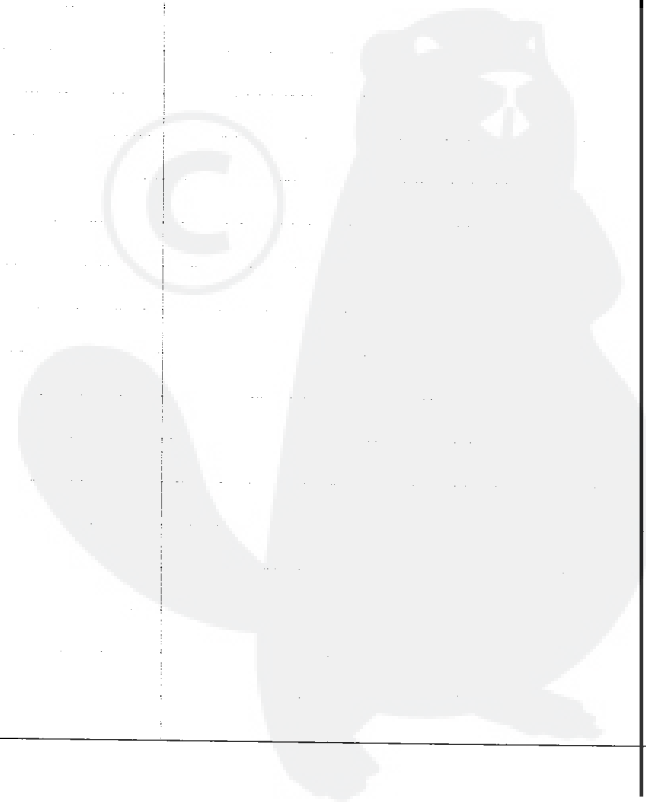




# Parts List

Group:Chain Saws Model:CS-350WES(36) Section:Air Cleaner, Handle(Sr/Nr 36023860 and before)( 7)

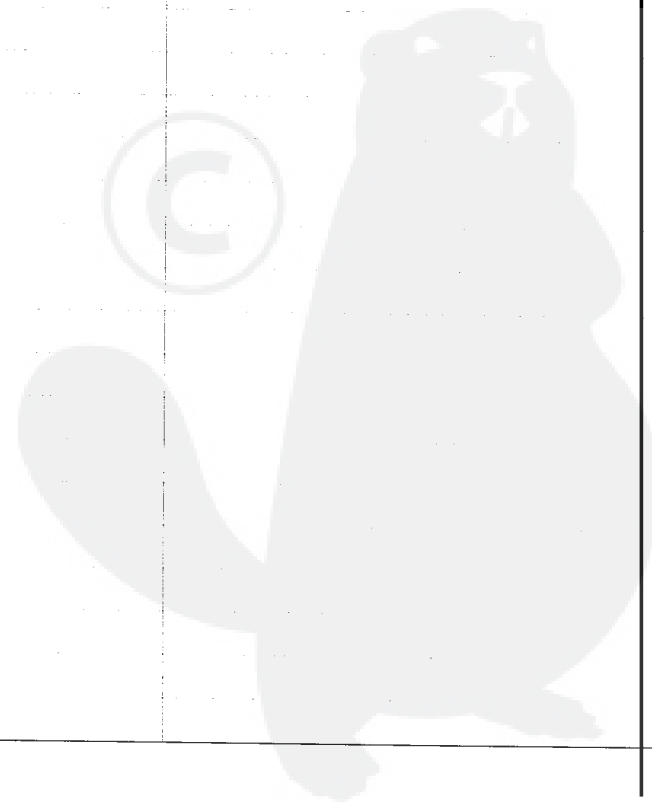
Key	Lv	Part Number	Q'ty	Description	Remarks	Note
1		100918-14330	1	CAP, CUSHION		
2		V202-000020	3	BOLT, 4		
3		V401-000120	1	CUSHION, 5		
4		C400-000320	1	HANDLE, FRONT		
5		C617-000200	1	STOPPER		
6		900253-04008	1	SCREW 4*8		
7		900253-05020	2	SCREW 5*20		
8		V485-000560	1	LEAD		
9		V485-000570	1	LEAD	Sus. by V485-000571	
9		V485-000571	1	LEAD		
10		163400-38430	1	SWITCH, IGNITION		
11		C410-000250	1	HANDLE, REAR	Sr/Nr 36023860 and before	
11		C410-000251	1	HANDLE, REAR	Sr/Nr 36023860 and before	
11		P021-011540	1	HANDLE, REAR	Sr/Nr 36023861 and after	
40		A202000033	1	BELLOWS, INTAKE	Sr/Nr 36023861 and after	
12		A226-000260	1	ELEMENT, AIR FILTER		
13		A232-000191	1	LID, CLEANER		
14		V582-000020	1	RING, SNAP		
15		A235-000140	1	KNOB, CLEANER LID		
16		900238-05050	2	SCREW 5*50		
17		A204-000060	1	ELBOW, CARBURETOR		
18		C411-000000	1	LID, HANDLE	Sus. by C411-000001	
18		C411-000001	1	LID, HANDLE		
19		900253-04012	1	SCREW		
20		178090-37930	1	LOCKOUT, T. CONTROL		
21		C454-000090	1	ROD, THROTTLE	Sus. by C454-000110	
21		C454-000110	1	ROD, THROTTLE		
22		C450-000140	1	TRIGGER, THROTTLE		

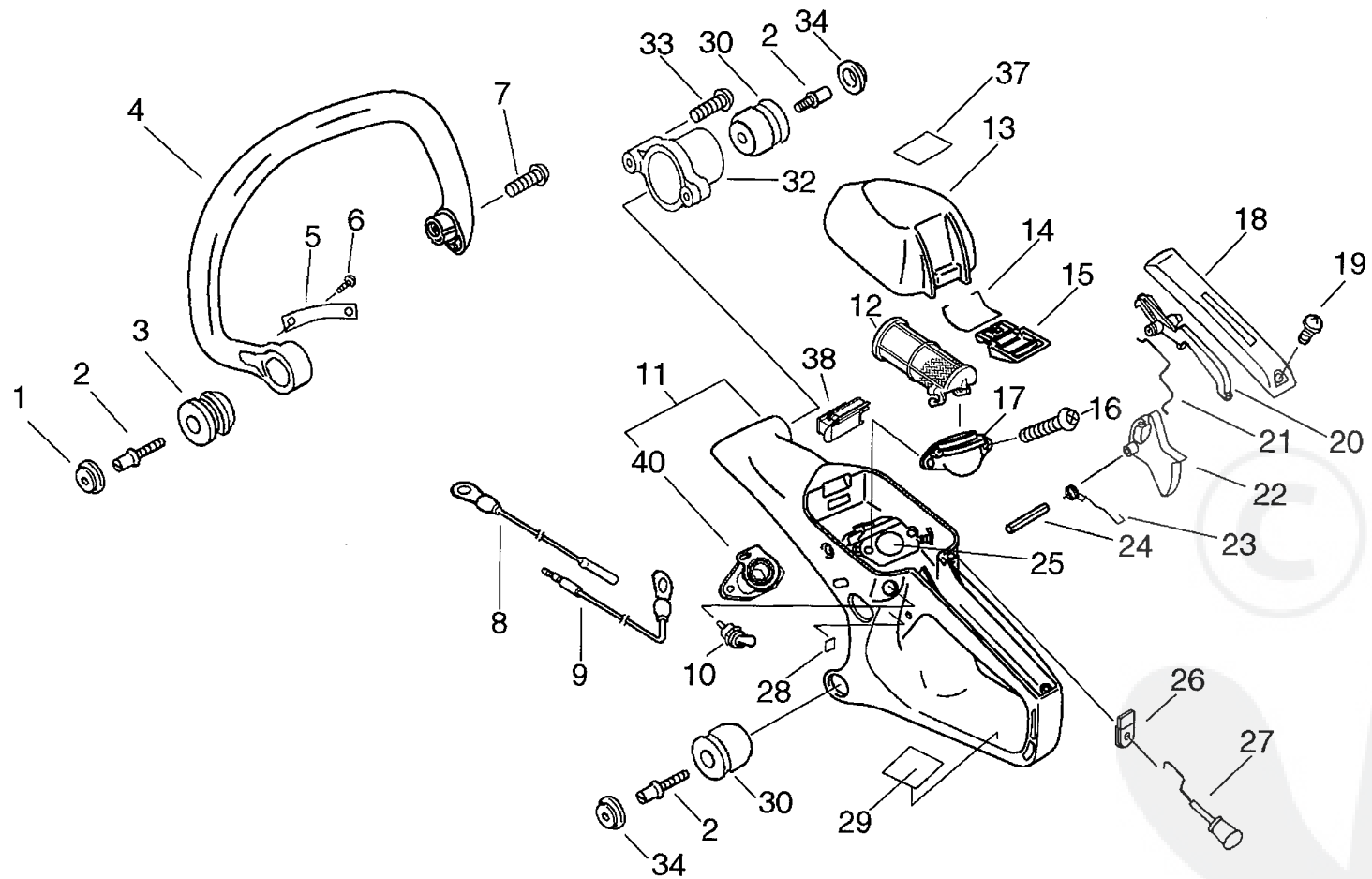


# P a r t s L i s t

Group:Chain Saws Model:CS-350WES(36) Section:Air Cleaner, Handle(Sr/Nr 36023860 and before)( 7)

Key	Lv	Part Number	Q'ty	Description	Remarks	Note
23		V452-000140	1	SPRING,TORSION	Sus. by 178043-35430	
23		178043-35430	1	SPRING, THR.RETURN		
24		900345-40025	1	PIN, SPRING 4*25SUS		
25		A021-001020	1	CARBURETOR, DIAPHRAGM	Sus. by A021-001191	
25		A021-001021	1	CARBURETOR, DIAPHRAGM	Sus. by A021-001191	
25		A021-001190	1	CARBURETOR, DIAPHRAGM	Sus. by A021-001191	
25		A021-001191	1	CARBURETOR, DIAPHRAGM		
26		V130-000010	1	GROMMET, CHOKE		
27		A241-000060	1	KNOB, CHOKE		
28		890157-39130	1	LABEL, SWITCH		
29		890345-39230	1	LABEL, CAUTION		
30		V400-000040	2	CUSHION, 4	Sus. by V400-000041	
30		V400-000041	2	CUSHION, 4		
32		V424-000000	1	SLEEVE, CUSHION		
33		900253-04016	2	SCREW 4*16		
34		100918-15130	2	CAP		
37		X503-006200	1	LABEL, MODEL	Sus. by X503-008180	

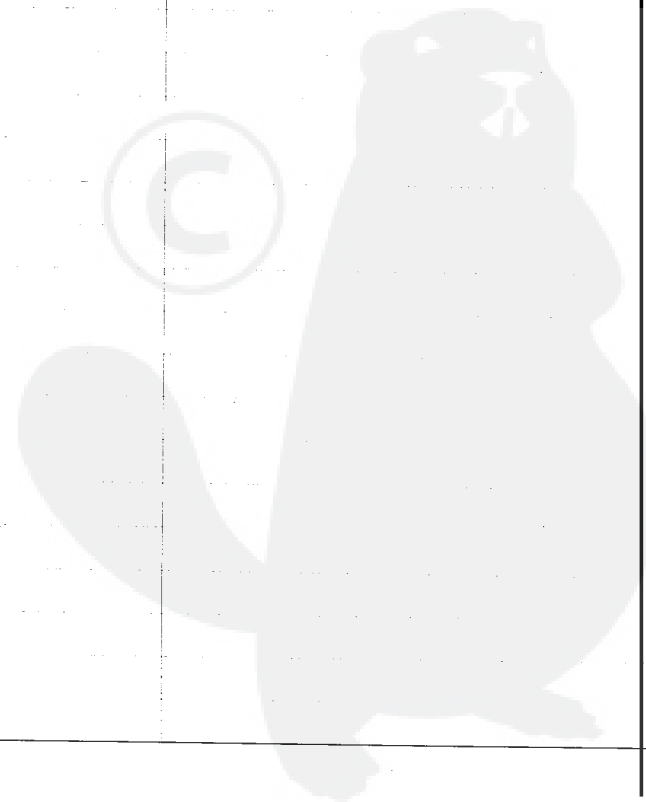




# P a r t s L i s t

Group:Chain Saws Model:CS-350WES(36) Section:Air Cleaner, Handle(Sr/Nr 36023861 and after) ( 8)

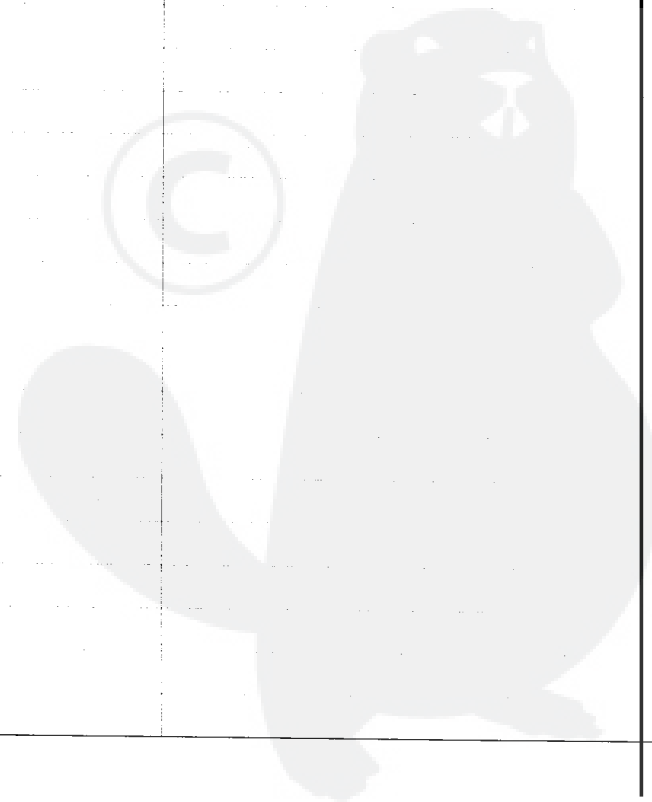
Key	Lv	Part Number	Q'ty	Description	Remarks	Note
1		100918-14330	1	CAP, CUSHION		
2		V202-000020	3	BOLT, 4		
3		V401-000120	1	CUSHION, 5		
4		C400-000320	1	HANDLE, FRONT	Sus. by C400-000321	
5		C617-000200	1	STOPPER		
6		900253-04008	1	SCREW 4*8		
7		900253-05020	2	SCREW 5*20		
8		V485-000560	1	LEAD		
9		V485-000571	1	LEAD		
10		163400-38430	1	SWITCH, IGNITION		
11		P021-011540	1	HANDLE, REAR	Sr/Nr 36023861 and after, Sus. by P021-011541	
40 +		A202-000033	1	BELLOWS, INTAKE	Sr/Nr 36023861 and after	
12		A226-000260	1	ELEMENT, AIR FILTER		
13		A232-000191	1	LID, CLEANER		
14		V582-000020	1	RING, SNAP		
15		A235-000140	1	KNOB, CLEANER LID		
16		900238-05050	2	SCREW 5*50		
17		A204-000060	1	ELBOW, CARBURETOR		
18		C411-000001	1	LID, HANDLE		
19		900253-04012	1	SCREW		
20		178090-37930	1	LOCKOUT, T. CONTROL		
21		C454-000110	1	ROD, THROTTLE		
22		C450-000140	1	TRIGGER, THROTTLE	Sus. by C450-000141	
23		178043-35430	1	SPRING, THR.RETURN	Sus. by V452-000260	
24		900345-40025	1	PIN, SPRING 4*25SUS		
25		A021-001191	1	CARBURETOR, DIAPHRAGM		
26		V130-000010	1	GROMMET, CHOKE		
27		A241-000060	1	KNOB, CHOKE		

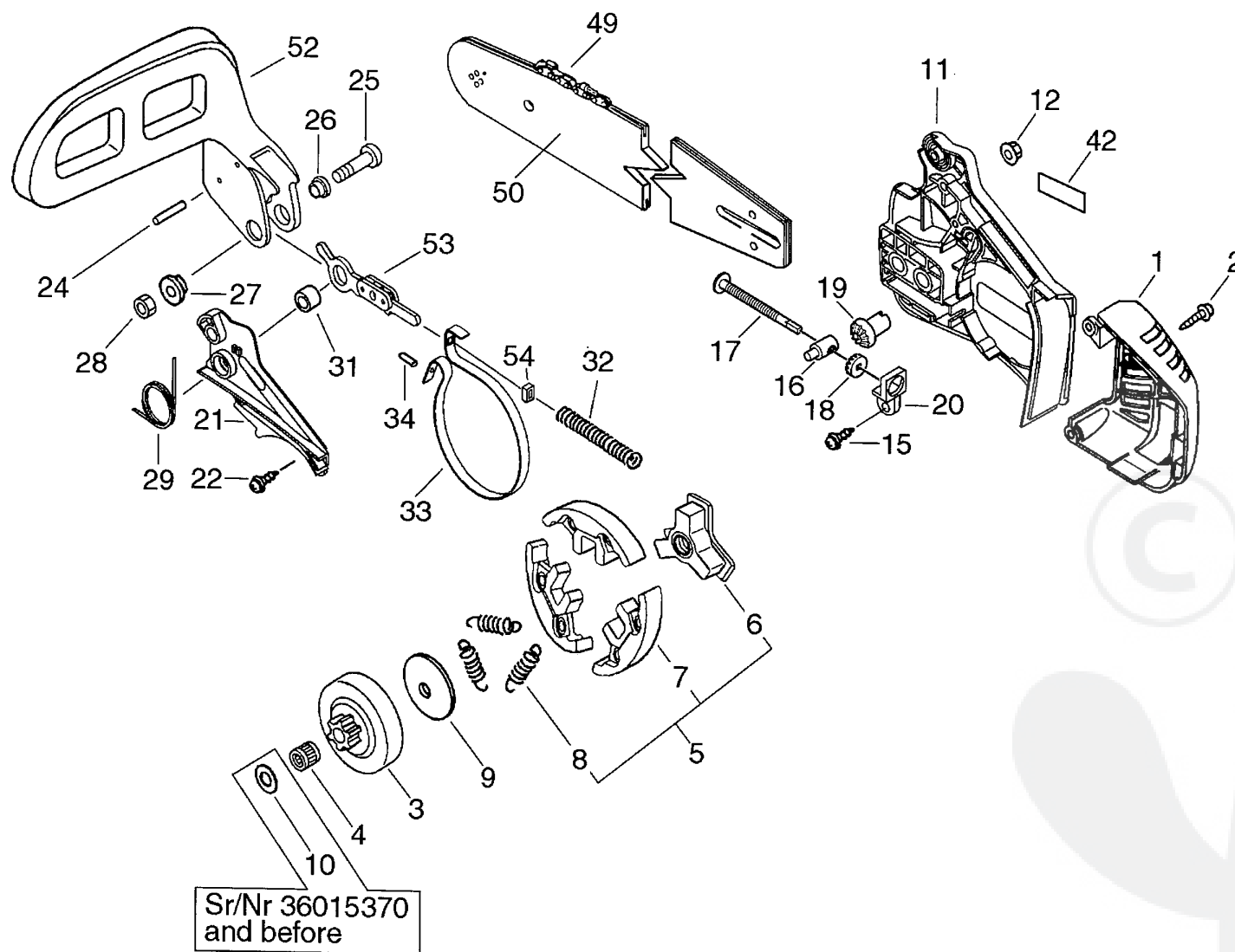


# Parts List

Group:Chain Saws Model:CS-350WES(36) Section:Air Cleaner, Handle(Sr/Nr 36023861 and after)( 8)

Key	Lv	Part Number	Q'ty	Description	Remarks	Note
28		890157-39130	1	LABEL, SWITCH		
29		890345-39230	1	LABEL, CAUTION		
30		V400-000041	2	CUSHION, 4		
32		V424-000000	1	SLEEVE, CUSHION		
33		900253-04016	2	SCREW 4*16		
34		100918-15130	2	CAP		
37		X503-006200	1	LABEL, MODEL	Sus. by X503-008180	
37		X503-008180	1	LABEL, MODEL		
38		V142-000020	1	GROMMET, DUST		

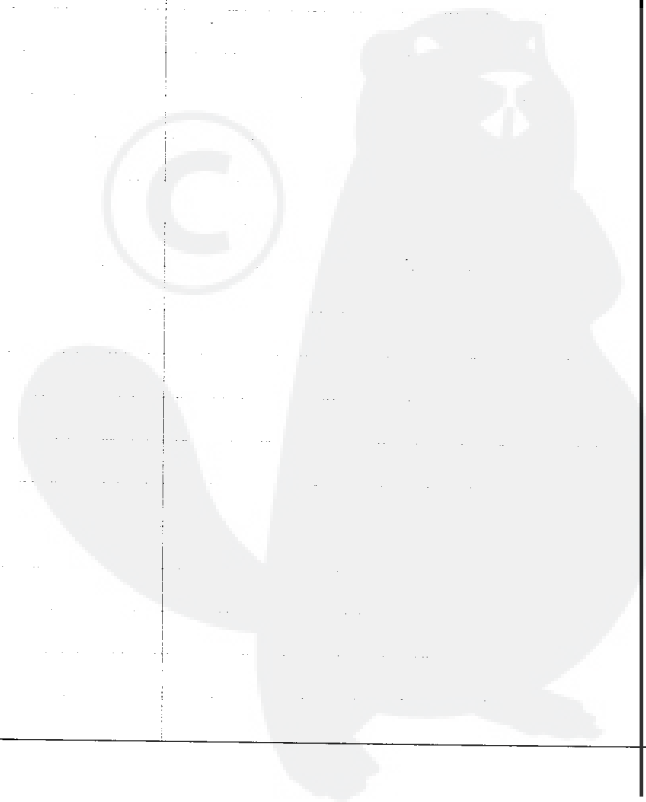




# Parts List

Group:Chain Saws Model:CS-350WES(36) Section:Clutch, Sprocket(Sr/Nr 36023860 and before) ( 9)

Key	Lv	Part Number	Q'ty	Description	Remarks	Note
1		A320-000181	1	COVER, MUFFLER	Sus. by A320-000183	
1		A320-000182	1	COVER, MUFFLER	Sus. by A320-000183	
1		A320-000183	1	COVER, MUFFLER		
2		900253-04016	2	SCREW 4*16		
3		175005-39132	1	DRUM, CLUTCH		
4		175012-35630	1	BEARING, NEEDLE	Sus. by 175012-00831	
4		175012-00831	1	BEARING, NEEDLE		
5		A056-000070	1	CLUTCH		
6	+	A552-000020	1	HUB, CLUTCH		
7	+	P021-005810	1	CLUTCH SHOE SET		
8	+	V451-000470	3	SPRING, TENSION		
9		A551-000010	1	PLATE, CLUTCH		
10		175014-39130	1	WASHER, CLUTCH	Sus. by 175014-39131	
10		175014-39131	1	WASHER, CLUTCH	Sr/Nr 36015370 and before	
11		C300-000241	1	GUARD, SPROCKET	Sus. by C032-000242	
12		433019-03933	2	NUT, FLANGE 6		
15		900253-04012	1	SCREW		
16		C309-000030	1	TENSIONER, CHAIN		
17		V203-000041	1	BOLT, 5		
18		V651-000011	1	GEAR, BEVEL		
19		V651-000001	1	GEAR, BEVEL		
20		V355-000140	1	COLLAR, 8		
21		C345-000084	1	COVER, BRAKE		
22		900253-04012	3	SCREW		
24		900330-30260	2	ROLLER 3*26		
25		91318-05032	1	SCREW		
26		433167-39130	1	SPACER		
27		V353-000060	1	COLLAR, 5		

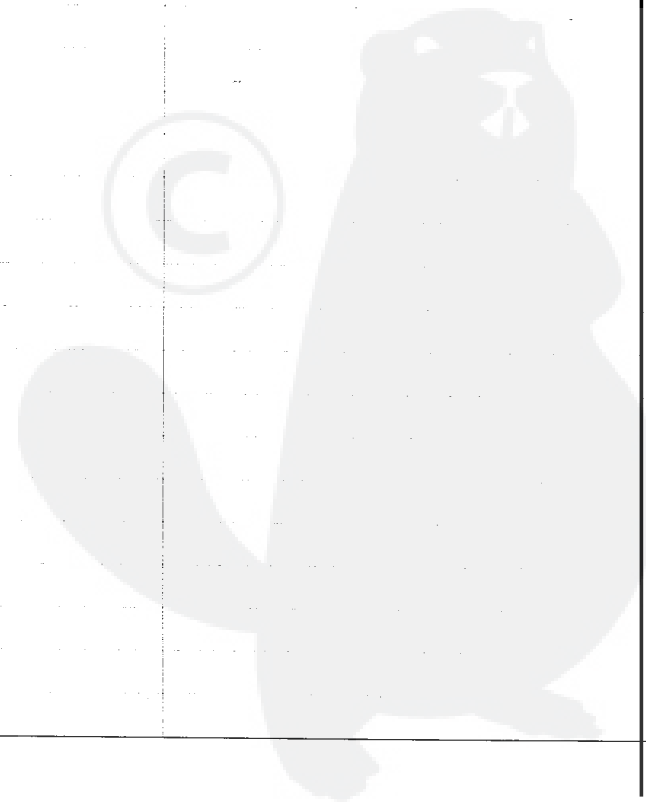


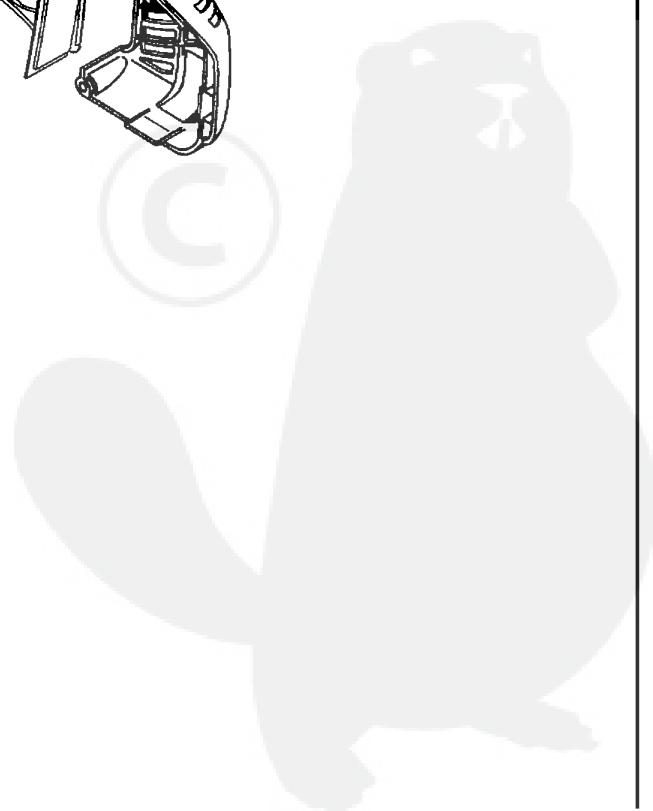
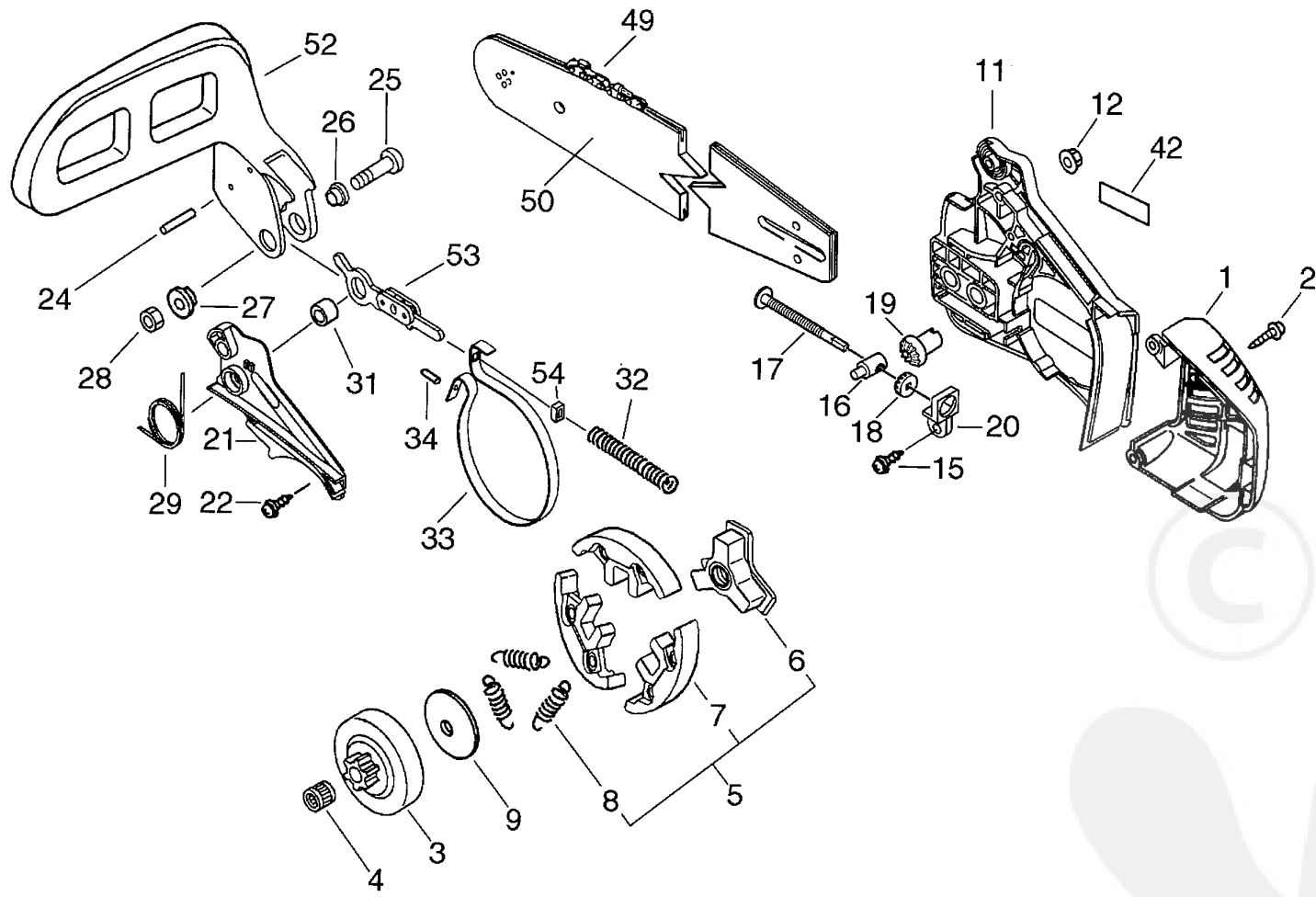


# Parts List

Group:Chain Saws Model:CS-350WES(36) Section:Clutch, Sprocket(Sr/Nr 36023860 and before) ( 9)

Key	Lv	Part Number	Q'ty	Description	Remarks	Note
28		900562-50005	1	LOCKNUT 5		
29		V452-000110	1	SPRING,TORSION		
31		433116-35430	1	SPACER 8		
32		V450-000070	1	SPRING,COMPRESSION		
33		C328-000030	1	BAND,BRAKE		
34		93050-30098	1	ROLLER		
42		X502-000020	1	LABEL,ECHO	Sus. by X502-000340	
49		431010-39930	1	CHAIN, SAW 91VS-47E	91VS-47E	
49		431019-39930	1	CHAIN, SAW 91VS-53E	91VS-53E	
49		431011-39430	1	CHAIN, SAW 91VS-58E	91VS-58E	
50		X122-000070	1	BAR,GUIDE 30	Sus. by X122-000071	
50		X122-000071	1	BAR,GUIDE 30	30RC50M-3/8	
50		X123-000070	1	BAR,GUIDE 35	Sus. by X122-000131	
50		X123-000131	1	BAR,GUIDE 35	35RC50M-3/8	
50		430211-13431	1	BAR,GUIDE 40RC50-3/8	Sus. by 430211-13432	
50		430211-13432	1	BAR,GUIDE 40RC50-3/8	40RC-50-3/8	
52		C320-000045	1	LEVER, BRAKE	Sus. by C320-000046	
53		C334-000070	1	CONNECTOR, BRAKE		
54		V376-000450	1	SPACER		

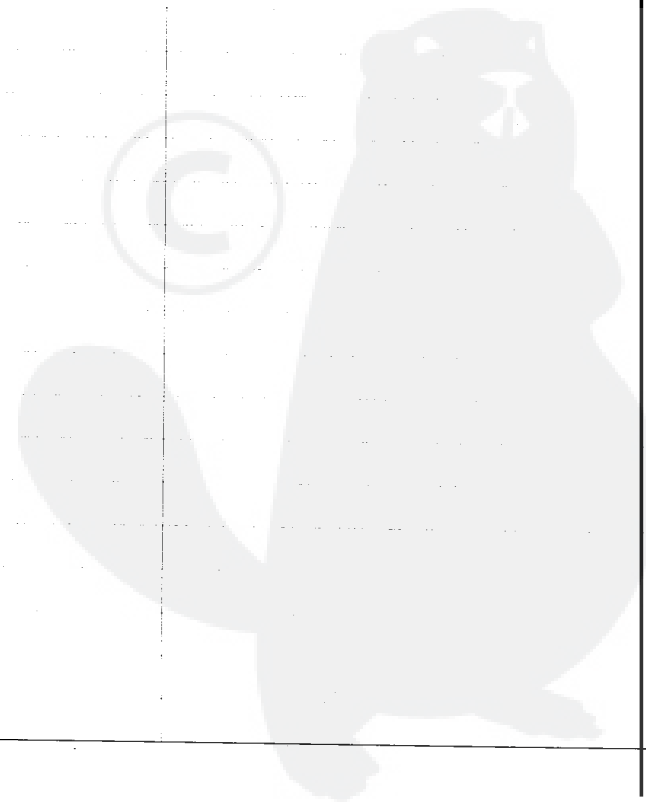




# Parts List

Group:Chain Saws Model:CS-350WES(36) Section:Clutch, Sprocket(Sr/Nr 36023861 and after)( 10)

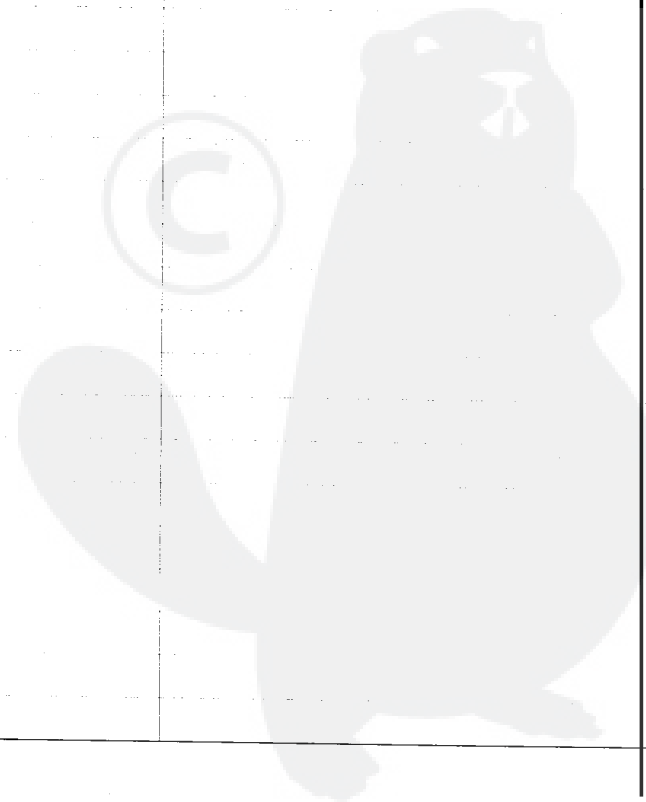
Key	Lv	Part Number	Q'ty	Description	Remarks	Note
1		A320-000183	1	COVER, MUFFLER		
2		900253-04016	2	SCREW 4*16		
3		175005-39132	1	DRUM, CLUTCH		
4		175012-00831	1	BEARING, NEEDLE		
5		A056-000070	1	CLUTCH		
6	+	A552-000020	1	HUB, CLUTCH		
7	+	P021-005810	1	CLUTCH SHOE SET		
8	+	V451-000470	3	SPRING, TENSION		
9		A551-000010	1	PLATE, CLUTCH		
10		175014-39131	1	WASHER, CLUTCH		
11		C300-000241	1	GUARD, SPROCKET	Sus. by C300-000242	
11		C300-000242	1	GUARD, SPROCKET		
12		433019-03933	2	NUT, FLANGE 6		
15		900253-04012	1	SCREW		
16		C309-000030	1	TENSIONER, CHAIN		
17		V203-000041	1	BOLT, 5		
18		V651-000011	1	GEAR, BEVEL		
19		V651-000001	1	GEAR, BEVEL		
20		V355-000140	1	COLLAR, 8		
21		C345-000084	1	COVER, BRAKE		
22		900253-04012	3	SCREW		
24		900330-30260	2	ROLLER 3*26		
25		91318-05032	1	SCREW		
26		433167-39130	1	SPACER		
27		V353-000060	1	COLLAR, 5		
28		900562-50005	1	LOCKNUT 5		
29		V452-000110	1	SPRING, TORSION		
31		433116-35430	1	SPACER 8		

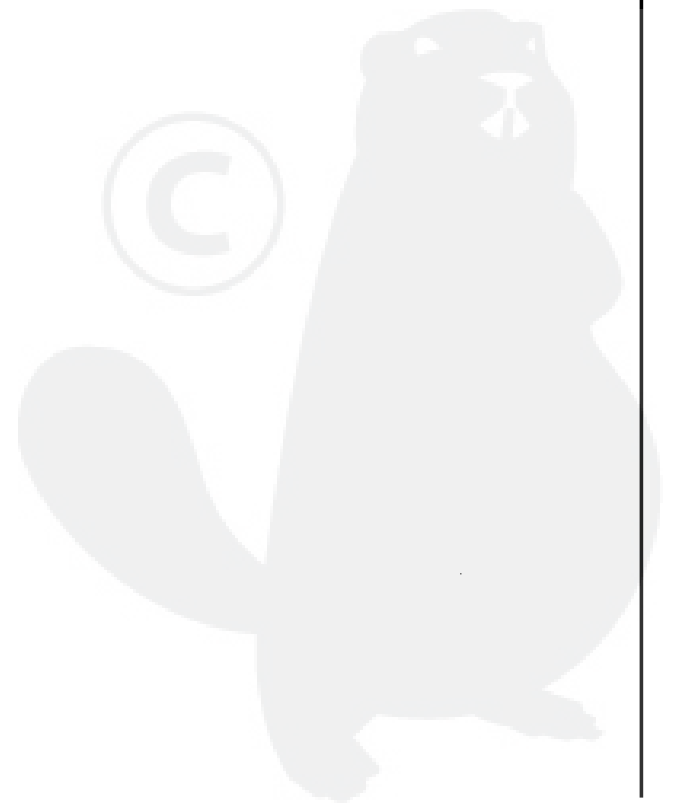
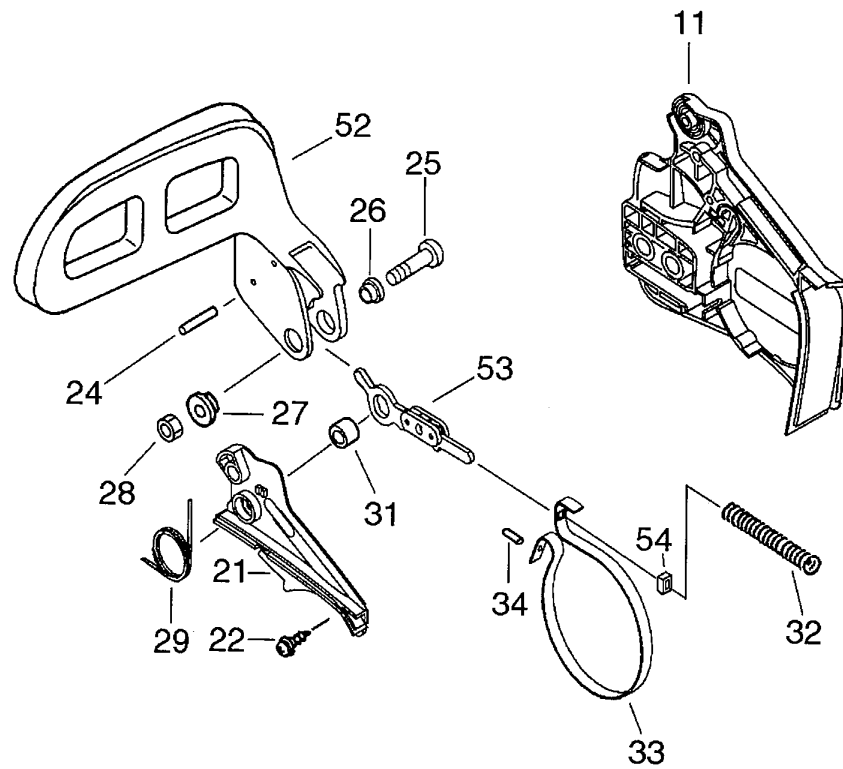


# P a r t s L i s t

Group:Chain Saws Model:CS-350WES(36) Section:Clutch, Sprocket(Sr/Nr 36023861 and after)( 10)

Key	Lv	Part Number	Q'ty	Description	Remarks	Note
32		V450-000070	1	SPRING, COMPRESSION		
33		C328-000030	1	BAND, BRAKE		
34		93050-30098	1	ROLLER		
42		X502-000020	1	LABEL, ECHO	Sus. by X502-000340	
42		X502-000340	1	LABEL, ECHO		
49		431010-39930	1	CHAIN, SAW 91VS-47E		
49		431019-39930	1	CHAIN, SAW 91VS-53E		
49		431011-39430	1	CHAIN, SAW 91VS-58E		
50		X122-000071	1	BAR, GUIDE30RC50M-3/8		
50		X123-000131	1	BAR, GUIDE35RC50M-3/8		
50		430211-13432	1	BAR, GUIDE 40RC50-3/8		
52		C320-000045	1	LEVER, BRAKE	Sus. by C320-000046	
52		C320-000046	1	LEVER, BRAKE		
53		C334-000070	1	CONNECTOR, BRAKE		
54		V376-000450	1	SPACER		

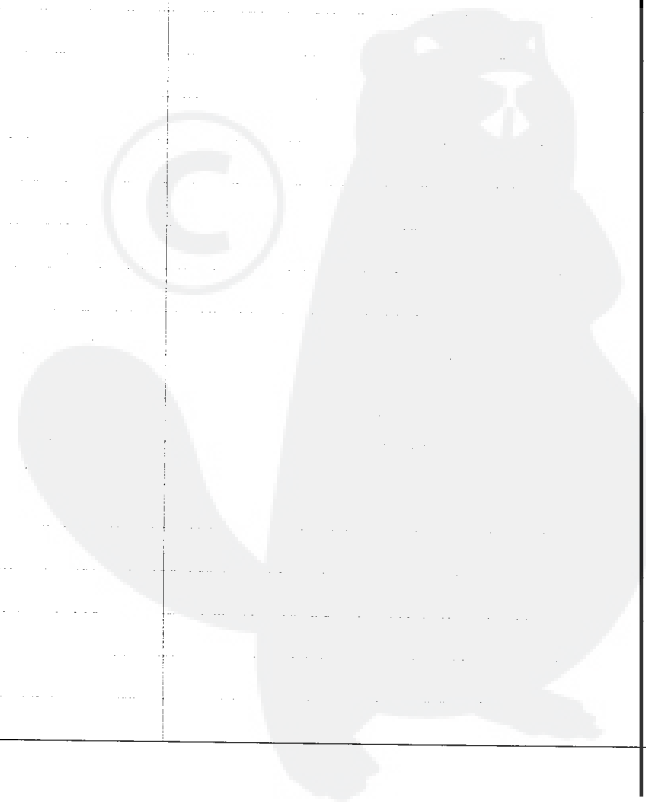


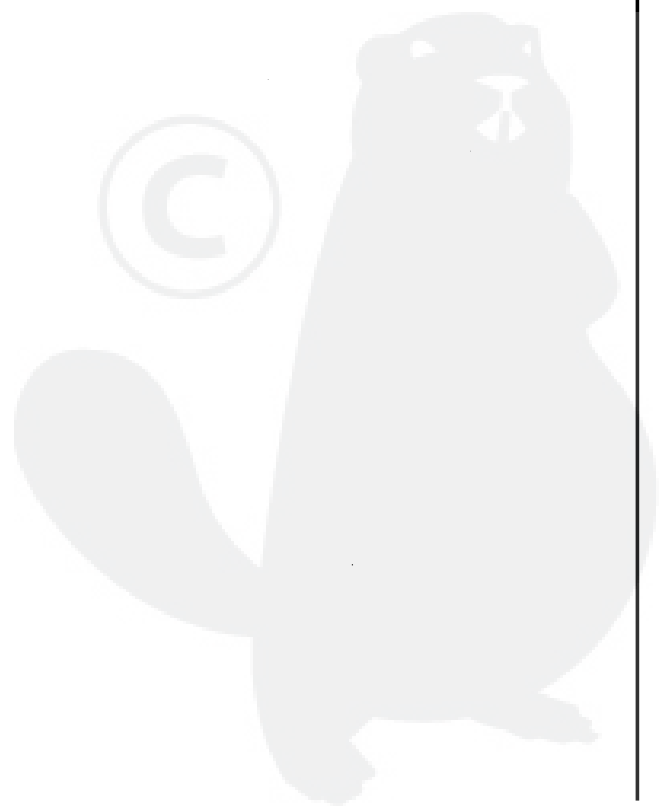
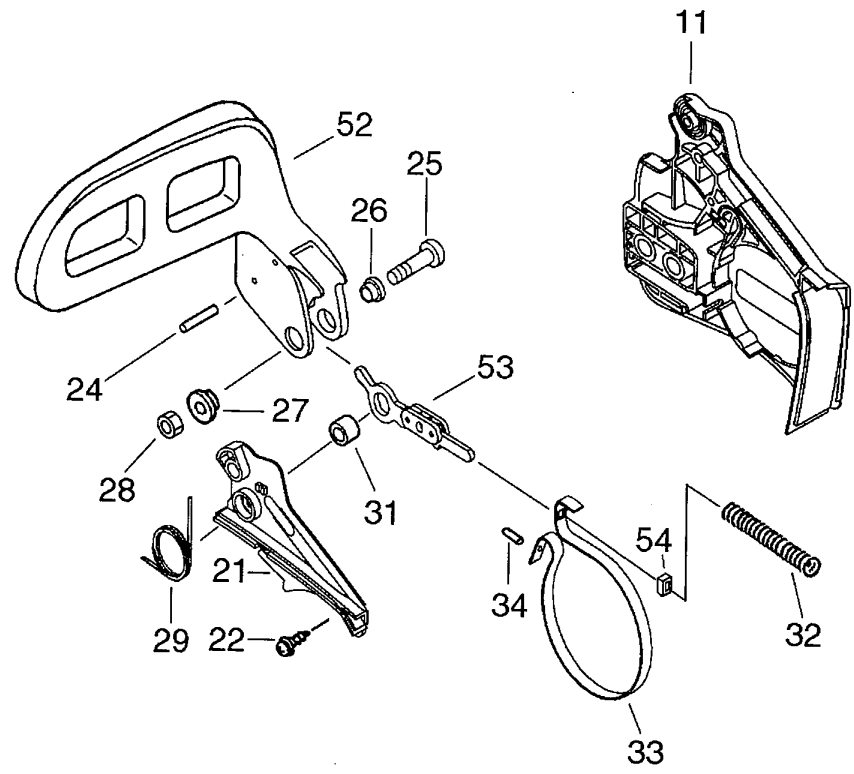


# P a r t s L i s t

Group:Chain Saws Model:CS-350WES(36) Section:Chain Brake Asy(Sr/Nr 36023860 and before( 11)

Key	Lv	Part Number	Q'ty	Description	Remarks	Note
		C032-000213	1	BRAKE,ASM CHAIN	Sus. by C032-000214	
		C032-000214	1	BRAKE,ASM CHAIN	Sus. by C032-000215	
11	+	C300-000241	1	GUARD, SPROCKET	Sus. by C032-000242	
11	+	C032-000242	1	BRAKE,ASM CHAIN		
21	+	C345-000084	1	COVER, BRAKE		
22	+	900253-04012	3	SCREW		
24	+	900330-30260	2	ROLLER 3*26		
25	+	91318-05032	1	SCREW		
26	+	433167-39130	1	SPACER		
27	+	V353-000060	1	COLLAR, 5		
28	+	900562-50005	1	LOCKNUT 5		
29	+	V452-000110	1	SPRING, TORSION		
31	+	433116-35430	1	SPACER 8		
32	+	V450-000070	1	SPRING, COMPRESSION		
33	+	C328-000030	1	BAND, BRAKE		
34	+	93050-30098	1	ROLLER		
52	+	C320-000045	1	LEVER, BRAKE	Sus. by C320-000046	
53	+	C334-000070	1	CONNECTOR, BRAKE		
54	+	V376-000450	1	SPACER		

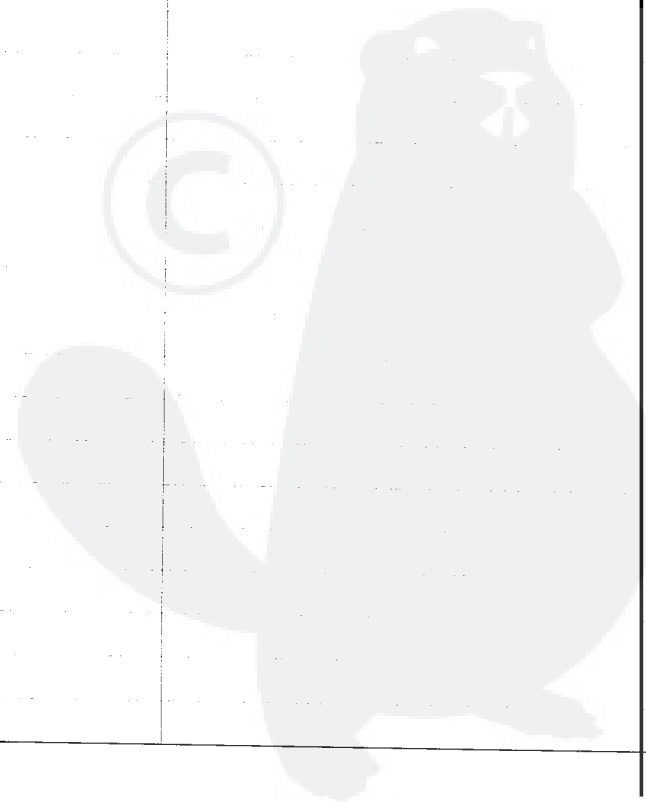




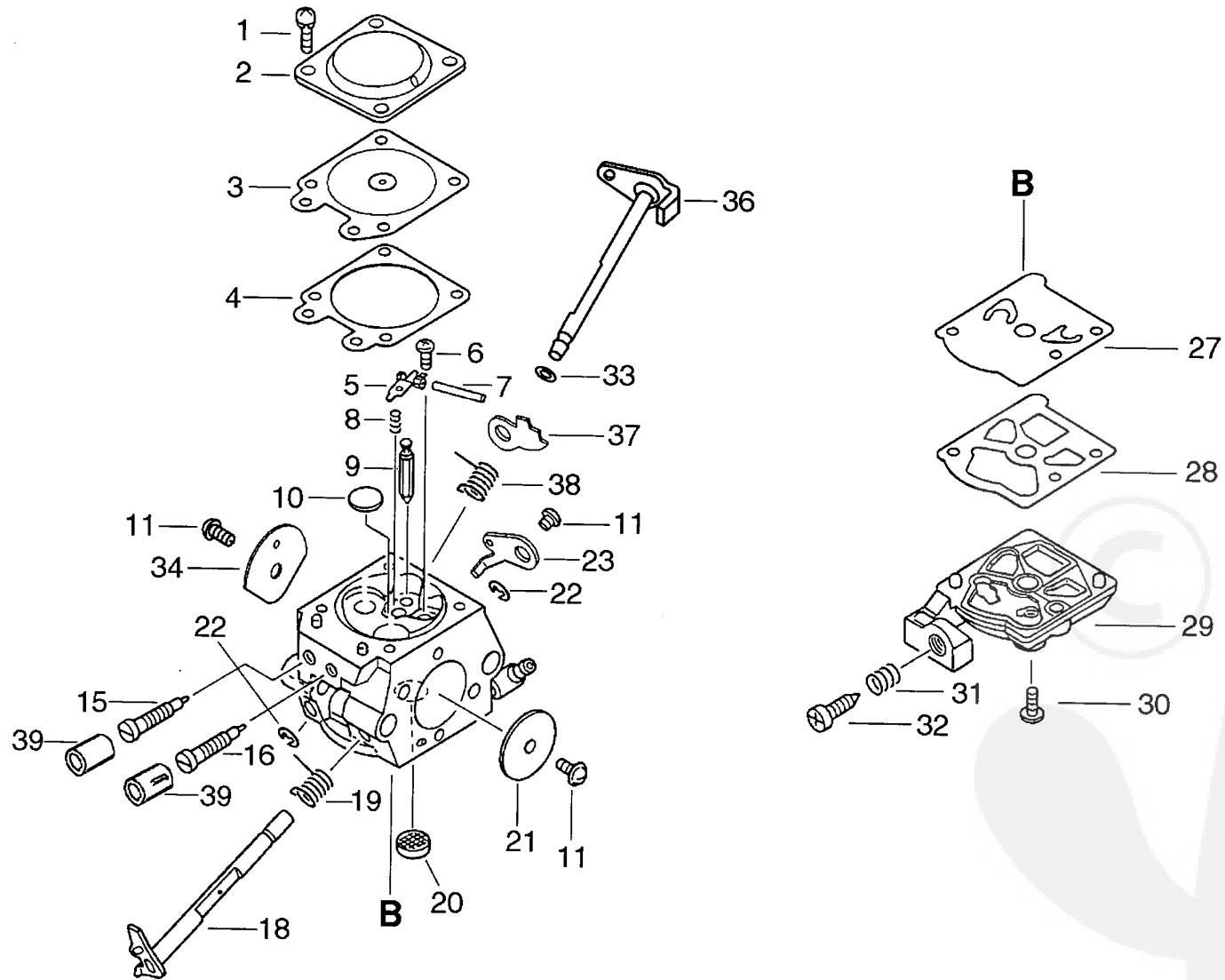
# Parts List

Group:Chain Saws Model:CS-350WES(36) Section:Chain Brake Asy(Sr/Nr 36023861 and after) ( 12)

Key	Lv	Part Number	Q'ty	Description	Remarks	Note
		C032-000213	1	BRAKE,ASM CHAIN	Sus. by C032-000214	
		C032-000214	1	BRAKE,ASM CHAIN	Sus. by C032-000215	
		C032-000215	1	BRAKE,ASM CHAIN		
11	+	C300-000241	1	GUARD, SPROCKET	Sus. by C300-000242	
11	+	C300-000242	1	GUARD, SPROCKET		
21	+	C345-000084	1	COVER, BRAKE		
22	+	900253-04012	3	SCREW		
24	+	900330-30260	2	ROLLER 3*26		
25	+	91318-05032	1	SCREW		
26	+	433167-39130	1	SPACER		
27	+	V353-000060	1	COLLAR, 5		
28	+	900562-50005	1	LOCKNUT 5		
29	+	V452-000110	1	SPRING, TORSION		
31	+	433116-35430	1	SPACER 8		
32	+	V450-000070	1	SPRING, COMPRESSION		
33	+	C328-000030	1	BAND, BRAKE		
34	+	93050-30098	1	ROLLER		
52	+	C320-000045	1	LEVER, BRAKE	Sus. by C320-000046	
52	+	C320-000046	1	LEVER, BRAKE		
53	+	C334-000070	1	CONNECTOR, BRAKE		
54	+	V376-000450	1	SPACER		



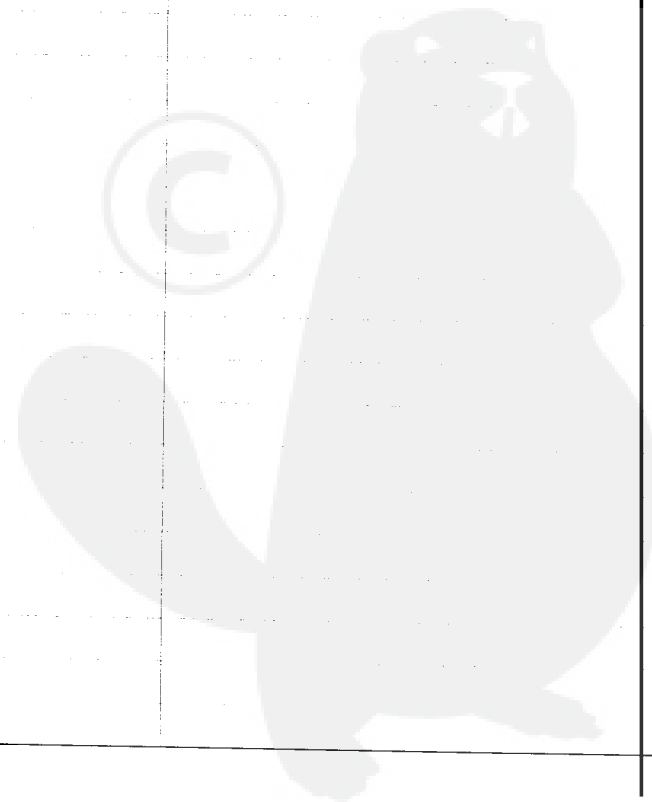




# Parts List

Group:Chain Saws Model:CS-350WES(36) Section:Carburetor( 13)

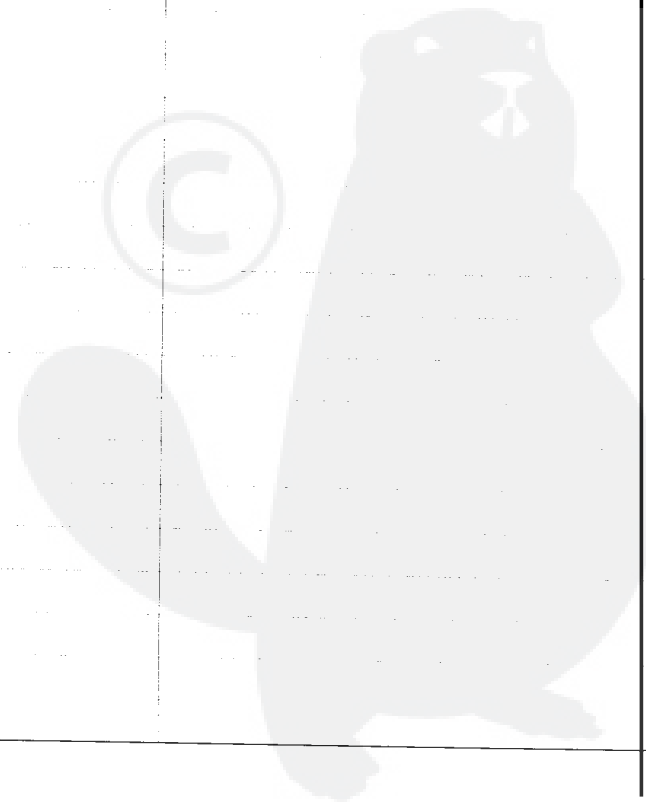
Key	Lv	Part Number	Q'ty	Description	Remarks	Note
		A021-001020	1	CARBURETOR,DIAPHRAGM	Sus. by A021-001021	
		A021-001021	1	CARBURETOR,DIAPHRAGM	Sr/Nr 36007690 and before	
1	+	123130-02960	4	SCREW		
2	+	123142-03930	1	COVER, M. DIAPHRAGM		
3	+	123141-03930	1	DIAPHRAGM, METERING		
4	+	123140-27230	1	GASKET,M. DIAPHRAGM		
5	+	123123-03930	1	LEVER, METERING		
6	+	123139-03930	1	SCREW, M. LEVER PIN		
7	+	123138-03930	1	PIN, METERING LEVER		
8	+	123122-39830	1	SPRING, METER. LEVER		
9	+	123137-19830	1	VALVE, INLET NEEDLE		
10	+	123146-10631	1	PLUG, WELCH		
11	+	123114-38830	3	SCREW		
15	+	123120-43131	1	NEEDLE, HIGH SPEED		
16	+	123118-02261	1	NEEDLE, IDLE		
18	+	P003-000480	1	SHAFT, THROTTLE		
19	+	123113-37530	1	SPRING, THROTTLE RTN		
20	+	123126-10631	1	SCREEN, INLET		
21	+	123116-03930	1	VALVE, THROTTLE	Sr/Nr 36004400 and before	
21	+	123116-10530	1	VALVE, THROTTLE	Sr/Nr 36004401 to 36007690	
22	+	123127-15030	2	RING		
23	+	P003-001040	1	LEVER THROTTLE		
27	+	123112-15030	1	DIAPHRAGM, FUEL PUMP		
28	+	123125-15030	1	GASKET, FUEL PUMP		
29	+	123124-24430	1	COVER, FUEL PUMP		
30	+	123110-03930	1	SCREW, PUMP COVER		
31	+	123133-04260	1	SPRING, IDLE ADJUST		
32	+	123134-04260	1	SCREW, IDLE ADJUST		

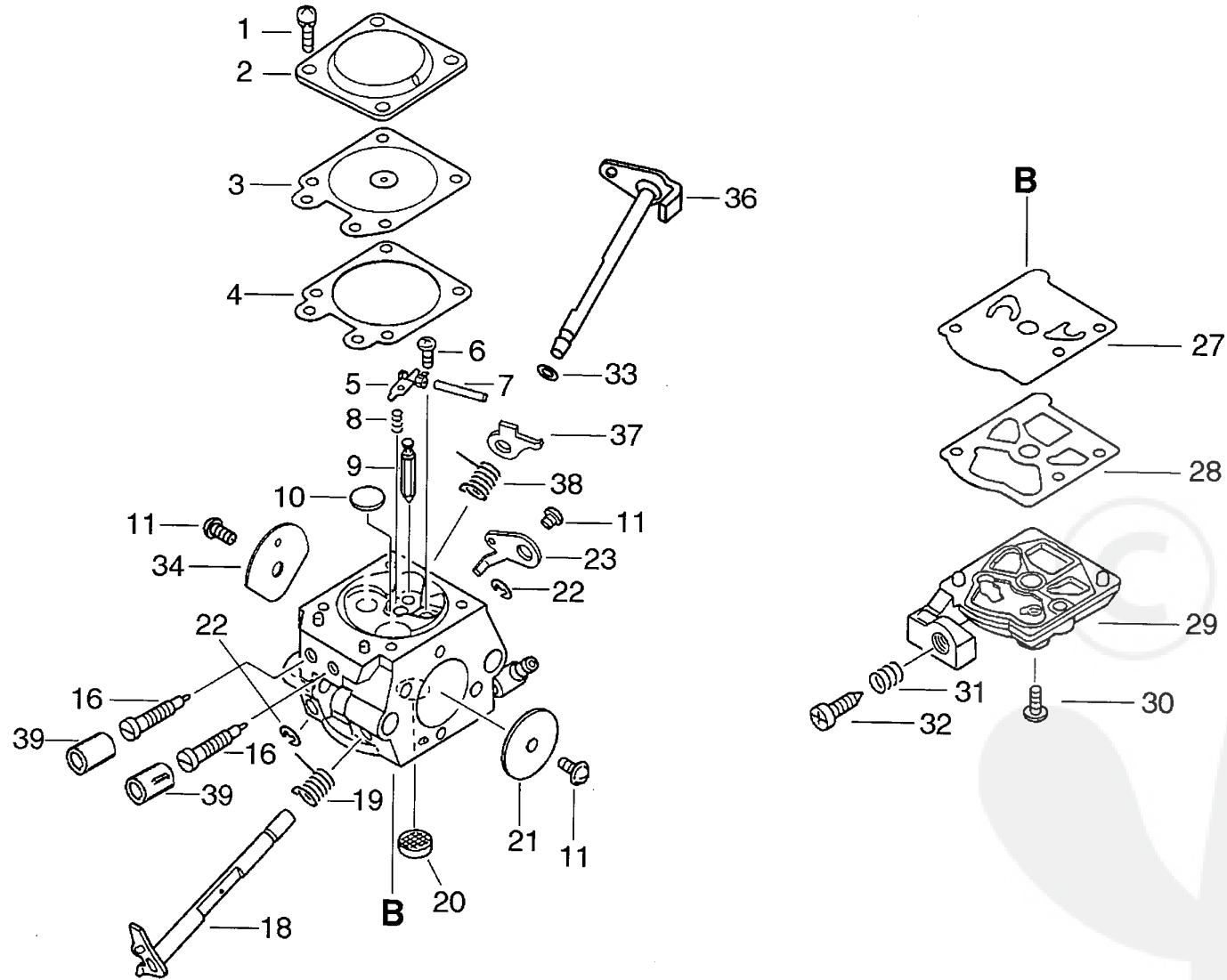


# Parts List

Group:Chain Saws Model:CS-350WES(36) Section:Carburetor( 13)

Key	Lv	Part Number	Q'ty	Description	Remarks	Note
33	+	123149-26030	1	WASHER		
34	+	123132-37330	1	VALVE, CHOKE		
36	+	P003-001140	1	SHAFT, CHOKE		
37	+	P003-000160	1	LEVER-FAST IDLE	Sr/Nr 36004400 and before	
37	+	P003-001480	1	LEVER-FAST IDLE	Sr/Nr 36004401 to 36007690	
38	+	P003-000140	1	SPRING	Sr/Nr 36004400 and before	
38	+	P003-001470	1	SPRING	Sr/Nr 36004401 to 36007690	
39	+	P003-000010	2	LIMITER CAP		

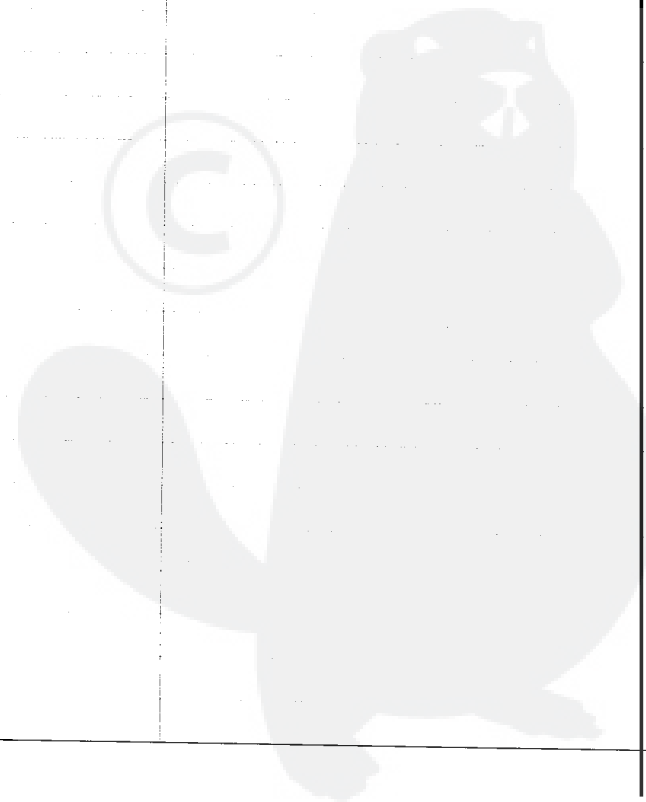




# Parts List

Group:Chain Saws Model:CS-350WES(36) Section:Carburetor( 14)

Key	Lv	Part Number	Q'ty	Description	Remarks	Note
		A021-001190	1	CARBURETOR, DIAPHRAGM	Sus. by A021-001191	
		A021-001191	1	CARBURETOR, DIAPHRAGM	Sr/Nr 36007691 and after	
1	+	123130-02960	4	SCREW		
2	+	123142-03930	1	COVER, M. DIAPHRAGM		
3	+	123141-03930	1	DIAPHRAGM, METERING		
4	+	123140-27230	1	GASKET, M. DIAPHRAGM		
5	+	123123-03930	1	LEVER, METERING		
6	+	123139-03930	1	SCREW, M. LEVER PIN		
7	+	123138-03930	1	PIN, METERING LEVER		
8	+	123122-39830	1	SPRING, METER. LEVER		
9	+	123137-19830	1	VALVE, INLET NEEDLE		
10	+	123146-10631	1	PLUG, WELCH		
11	+	123114-38830	3	SCREW		
16	+	123118-02261	2	NEEDLE, IDLE		
18	+	P003-000480	1	SHAFT, THROTTLE		
19	+	123113-37530	1	SPRING, THROTTLE RTN		
20	+	123126-10631	1	SCREEN, INLET		
21	+	123116-10530	1	VALVE, THROTTLE		
22	+	123127-15030	2	RING		
23	+	P003-001040	1	LEVER THROTTLE		
27	+	123112-15030	1	DIAPHRAGM, FUEL PUMP		
28	+	123125-15030	1	GASKET, FUEL PUMP		
29	+	123124-24430	1	COVER, FUEL PUMP		
30	+	123110-03930	1	SCREW, PUMP COVER		
31	+	123133-04260	1	SPRING, IDLE ADJUST		
32	+	123134-04260	1	SCREW, IDLE ADJUST		
33	+	123149-26030	1	WASHER		
34	+	123132-35430	1	VALVE, CHOKE		



# Parts List

Group:Chain Saws Model:CS-350WES(36) Section:Carburetor( 14)

Key	Lv	Part Number	Q'ty	Description	Remarks	Note
36	+	P003-001140	1	SHAFT, CHOKE		
37	+	P003-001480	1	LEVER-FAST IDLE	Sus. by P003-001510	
37	+	P003-001510	1	LEVER-FAST IDLE		
38	+	P003-001470	1	SPRING		
39	+	P003-000010	2	LIMITER CAP		

