



PARTS CATALOGUE

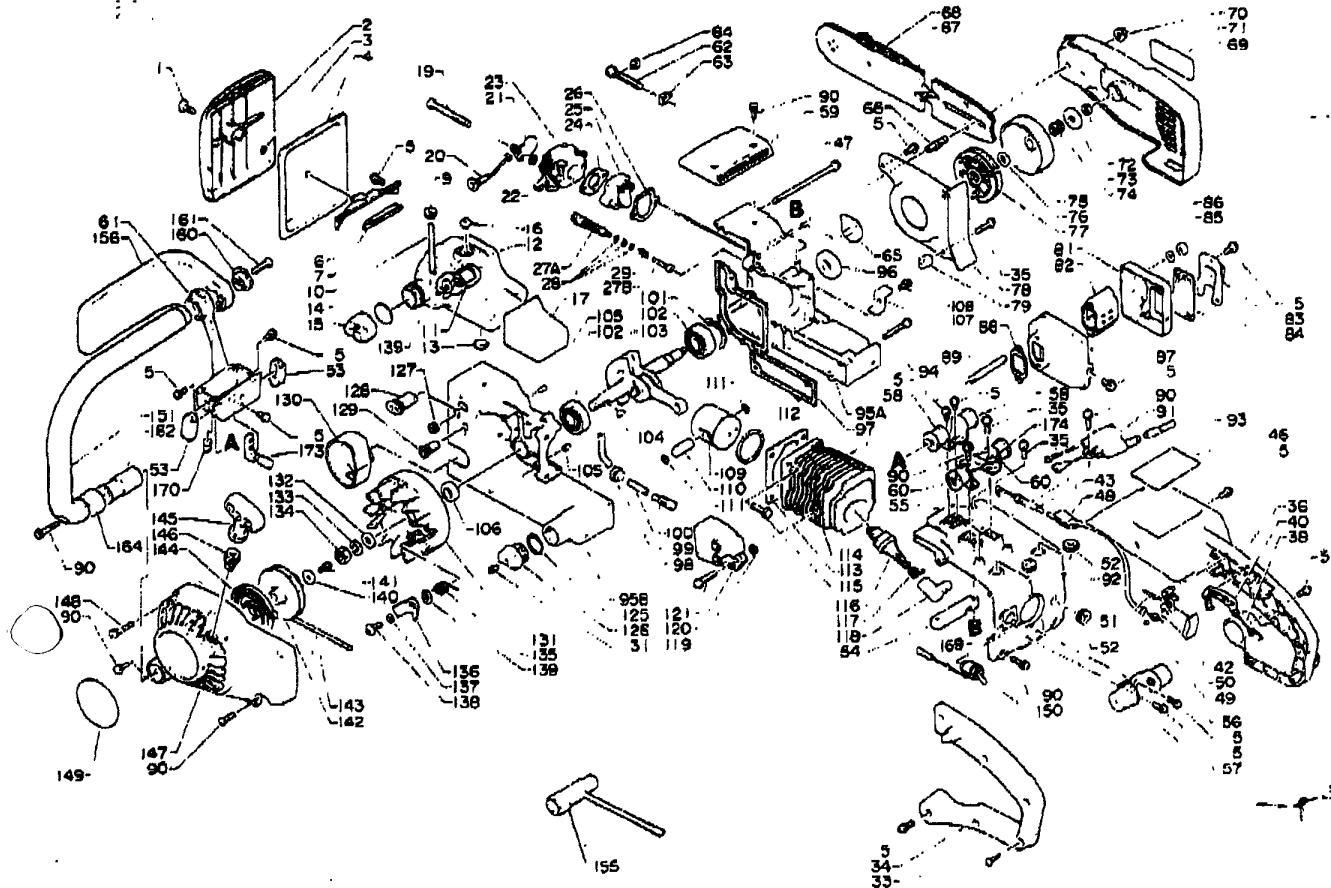
ECHO CHAIN SAW CS-290EVL

- Please refer this parts catalogue for following types
- Sprocket pitch: 1/4 in
3/8 in
- Front hand guard type chain saw
- Chain brake type chain saw



898 595-1533 0





Pitch 3/8" (91S)			Saw chain and guide bar			Pitch 1/4"		
1- 67	-	1	Guide bar	1- 67	430 411-1393 0	1	Guide bar 30RC50-1/4	
68	-	1	Saw chain	68	431 611-1003 0	1	Saw chain 25AP68E	
75	175 005-1393 1	1	Clutch case 3/8	75	175 007-1393 1	1	Clutch case 1/4	

Key No.	Part No.	Q'ty	Description	Key No.	Part No.	Q'ty	Description
1- *	130 392-1503 2	1	Cover ass'y, air cleaner	1- 22	178 516-0393 0	1	Spacer
1	.130 408-1393 2	1	Thumb bolt	23	125 200-1393 2	1	Carburetor C1S-K1B
2	.130 313-1503 2	1	Cover, air cleaner	24	130 016-0843 0	1	Gasket
3	.900 700-0000 4	1	Circclip 4	25	130 000-1393 2	1	Insulator
4	130 310-1393 0	1	Air filter	28	130 010-1393 0	1	Gasket
5	900 242-0401 0	17	Screw 4 x 10	27	437 000-1393 0	1	Auto. oiler ass'y
6	130 405-1393 1	1	Bracket, air filter	28	.437 020-0283 0	3	O-ring
7	131 920-1393 0	1	Cushion	29	.437 019-0283 0	1	Coil spring
9	132 115-0148 0	1	Grommet	33	900 249-0401 6	5	Tapping screw 4 x 16
10	132 010-1393 2	1	Fuel pipe	34	351 809-1503 1	1	Rear handle (B)
11	131 205-0083 0	1	Fuel strainer	35	900 242-0402 0	3	Screw 4 x 20
12	131 010-1393 0	1	Fuel tank	36	351 110-1503 1	1	Rear handle (A)
13	100 223-1393 1	1	Cushion	38	178 091-1503 0	1	Spring
15	131 004-1393 3	1	Cap ass'y, fuel tank	40	178 090-1503 1	1	Throttle control lockout
14	.131 016-1393 1	1	Gasket, fuel tank	42	178 010-1503 1	1	Throttle trigger
16	131 314-0033 0	1	Check valve	43	178 001-1503 1	1	Throttle wire
17	131 924-1393 0	1	Cushion	46	890 151-1533 0	1	Decal
19	900 242-0505 0	2	Screw 5x50	47	100 244-1393 0	2	Screw
20	178 510-1393 0	1	Choke rod	48	178 215-1503 1	1	Grommet
21	178 515-1393 0	1	Choke shutter	49	178 068-1503 0	1	Set screw

131 200-2230

Key No.	Part No.	Q'ty	Description	Key No.	Part No.	Q'ty	Description
50	178 026-1503 0	1	Wire end	1- 109	100 010-1393 1	1	Piston
51	178 043-1503 0	1	Throttle spring	110	100 013-1393 0	1	Piston pin
52	150 112-0031 0	2	Grommet	111	100 015-0483 0	2	Circlip
53	351 134-1503 1	2	Stopper	112	100 011-0573 1	1	Piston ring
54	101 584-1503 0	1	Spacer	113	101 010-1393 0	1	Gasket, cyl. base
55	101 514-1503 1	1	Cylinder cover	93	158 611-1503 0	1	Tube
56	351 907-1053 1	1	Cushion (R)	114	101 034-1503 0	1	Cylinder
57	351 107-1053 1	1	Cushion (L)	115	900 242-0502 0	4	Screw 5 x 20
59	130 348-1503 1	1	Cover, intake	116	159 010-1393 0	1	Spark plug CJ-8Y
60	351 112-1503 1	2	Cushion (U)	117	159 011-0051 0	1	Coil spring, plug cap
61	351 814-1533 0	1	Supporter	118	159 012-0182 0	1	Cap, spark plug
58	351 618-1503 1	2	Cushion	119	152 117-0553 0	2	Spacer
62	433 016-1393 1	1	Adjusting screw	120	156 601-1503 0	1	C.O. Ignition module
63	433 014-1123 0	1	Tensioner	121	900 242-0502 2	2	Screw 5 x 22
64	433 028-1103 0	1	Clip	126	436 001-1393 2	1	Cap ass'y, oil tank
65	100 614-1393 0	1	Plug	31	436 114-1393 0	1	Check valve (S)
66	433 011-1393 0	2	Stud	125	900 720-0001 8	1	O-ring 18
69	433 005-1393 0	1	Cover, guide bar	127	178 810-0333 0	1	Grommet
70	433 018-0393 2	2	Flange nut 6	128	129 010-1393 0	1	Grommet
71	890 137-1393 0	1	Decal	129	129 015-1393 0	1	Grommet
72	100 139-0393 0	1	Nut	130	131 038-1393 0	1	Seal
73	175 015-1393 1	1	Washer	131	156 800-1393 0	1	Flywheel
74	175 012-0393 0	1	Needle bearing	132	900 600-0000 8	1	Washer B
76	175 014-1123 1	1	Washer	133	900 605-0000 8	1	Spring washer B
77	175 000-1393 0	1	Clutch ass'y	134	900 502-0000 8	1	Nut B
78	175 305-1393 0	1	Seal plate	135	177 234-1393 0	2	Return spring
79	175 311-1393 0	1	Spacer	136	177 218-1393 0	2	Patcher
**	145 803-1393 1	1	Muffler ass'y	137	177 247-0463 0	2	Spacer
5	900 242-0401 0	4	Screw 4 x 10	138	177 217-1393 0	2	Screw
81	145 861-1393 0	1	Lid	139	900 603-0000 5	3	Washer
82	145 858-1393 0	1	Adapter	**	177 200-1393 1	1	Recoil starter ass'y
83	145 876-1393 1	1	Muffler lid	140	177 214-0483 0	1	Washer
84	145 862-1393 1	1	Screen (SAM only)	141	900 241-0401 0	1	Screw 4 x 10
87	145 858-1393 1	1	Muffler	142	177 215-0653 0	1	Recoil drum <i>Disc.</i>
88	145 510-1393 0	1	Gasket	143	177 228-0653 0	1	Rope
85	433 020-0083 0	2	Lock nut	144	177 220-0653 0	1	Rewind spring
86	900 803-0000 5	2	Washer 5	145	177 228-1113 0	1	Starter handle
89	101 014-0713 1	2	Stud	146	177 227-0533 0	1	Rope guide
90	900 242-0401 6	12	Screw 4 x 1.6	147	101 507-1393 1	1	Fan cover
91	156 626-1503 0	1	Ignition coil	148	900 242-0402 5	2	Screw 4 x 25
92	150 814-0291 0	1	Grommet	149	890 012-1113 2	1	Decal
94	900 242-0403 0	7	Screw 4x30	150	183 400-1503 0	1	Switch
95	100 200-1503 1	1	Crankcase set	151	351 808-1503 1	1	Front handle
105	100 215-0393 0	2	Knock pin	155	895 410-0393 0	1	Wrench w/s. driver
96	100 213-0393 0	1	Oil seal	156	351 828-1503 2	1	Guard, front
97	100 242-1393 2	1	Gasket, crankcase	160	351 646-1493 0	1	Holder, guard
98	132 115-1113 0	1	Grommet	161	900 214-0502 5	1	Screw 5 x 25
99	437 210-1393 0	1	Oil pipe	162	351 621-1503 0	1	Cushion
100	436 205-0283 2	1	Oil strainer	168	890 157-1503 0	1	Decal, switch
101	900 702-0003 2	1	Circlip 32	170	100 251-1023 0	1	Cushion
102	900 810-3620 1	2	Ball bearing 6201	164	351 638-1493 0	1	Stopper
103	100 100-1393 1	1	Crankshaft ass'y	173	351 648-1503 0	1	Stopper
104	100 131-0852 0	1	Woodruff key	174	351 649-1503 0	1	Stopper
106	100 212-1123 0	1	Oil seal				
107	433 000-1383 1	1	Chain catcher				
108	900 242-0501 0	1	Screw 5x10				

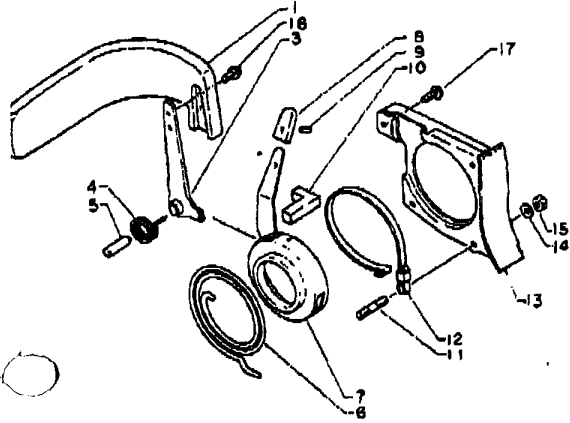
Remarks:

- *: Consists of 1 thru 3.
- 15: Includes 14
- ** : Consists of 5, 81 thru 84, 87 and 88.
- 126: Includes 31, 125
- ***: Consists of 140 thru 147.
- 95: Includes 105.
- 107: Includes 108.
- 27: Includes 28 and 29.

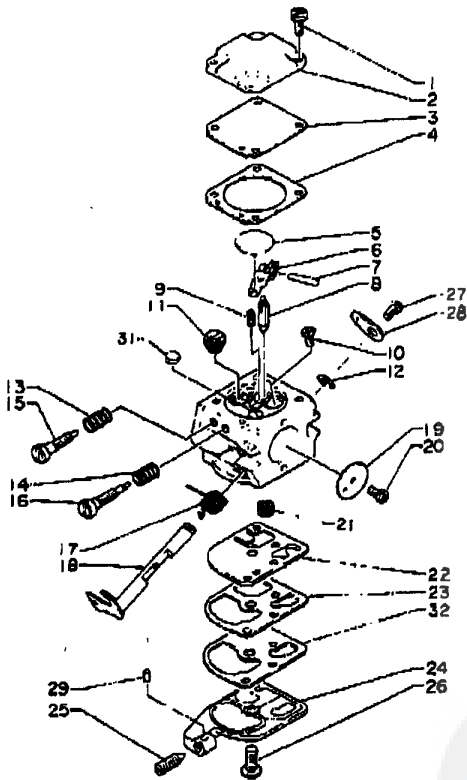
Chain brake type

The following parts shown in front page are changed on chain brake type.

Key No.	Delete	Insert		Description
		Q'ty	Q'ty	
1-	5	17	18	Screw 4 x 10
	35	1	-	Screw 4 x 20
	65	1	-	Plug
	78	1	-	Seal plate
	79	1	-	Spacer
	156	1	-	Guard, front
	160	1	-	Holder, guard
	161	1	900 214-0501 2	Screw 5x12



Key No.	Part No.	Q'ty	Description
2-	1	1	Brake handle
	3	1	Arm
	4	1	Spring
	5	1	Shaft
	6	1	Brake spring
	7	1	Band case
	8	1	Grip
	9	1	Spring pin 3 x 8
	10	1	Dust seal
	11	1	Stud
	12	1	Brake band
	13	1	Seal plate
	14	1	Washer
	15	1	Nut 4
	16	2	900 242-0401 2
	17	1	900 220-0401 0



Key No.	Part No.	Q'ty	Description
3-	125 200-1393 2	1	Carburetor ass'y C18-K18
	1	4	-125 344-1393 0
	2	1	-125 342-1393 0
	3	1	-125 341-1393 0
	4	1	-125 340-1393 0
	5	1	-125 375-1393 0
	6	1	-125 323-1393 0
	7	1	-125 338-1393 0
	8	1	-125 337-1393 0
	9	1	-125 322-1393 0
	10	1	-125 339-1393 0
	11	1	-125 376-1393 0
	12	1	-125 327-1393 0
	13, 14	2	-125 319-1393 0
	15	1	-125 320-1393 0
	16	1	-126 318-1393 0
	17	1	-125 313-1393 0
	18	1	-125 317-1393 0
	19	1	-125 318-1393 0
	20	1	-125 314-1393 0
	21	1	-125 326-1393 0
	22	1	-126 312-1393 1
	23	1	-125 325-1393 1
	24	1	-125 324-1393 1
	25	1	-126 334-1393 0
	26	1	-125 310-1393 0
	27	1	-125 348-1393 0
	28	1	-125 350-1393 1
	29	1	-125 378-1393 0
	30	1	-125 345-1393 0
	31	1	-125 345-1393 0
	32	1	-125 311-1513 0

Remark:
Consists of 1 thru 32.



KIORITZ CORPORATION

5-1 SHIMORENJAKU, 7-CHOME, MITAKA, TOKYO 181
CABLE ADDRESS: KIORITZ MITAKA
TELEX ADDRESS: KIORITZ A J26592