

SRM-3021TES/L

Serial Number

38000001-38999999

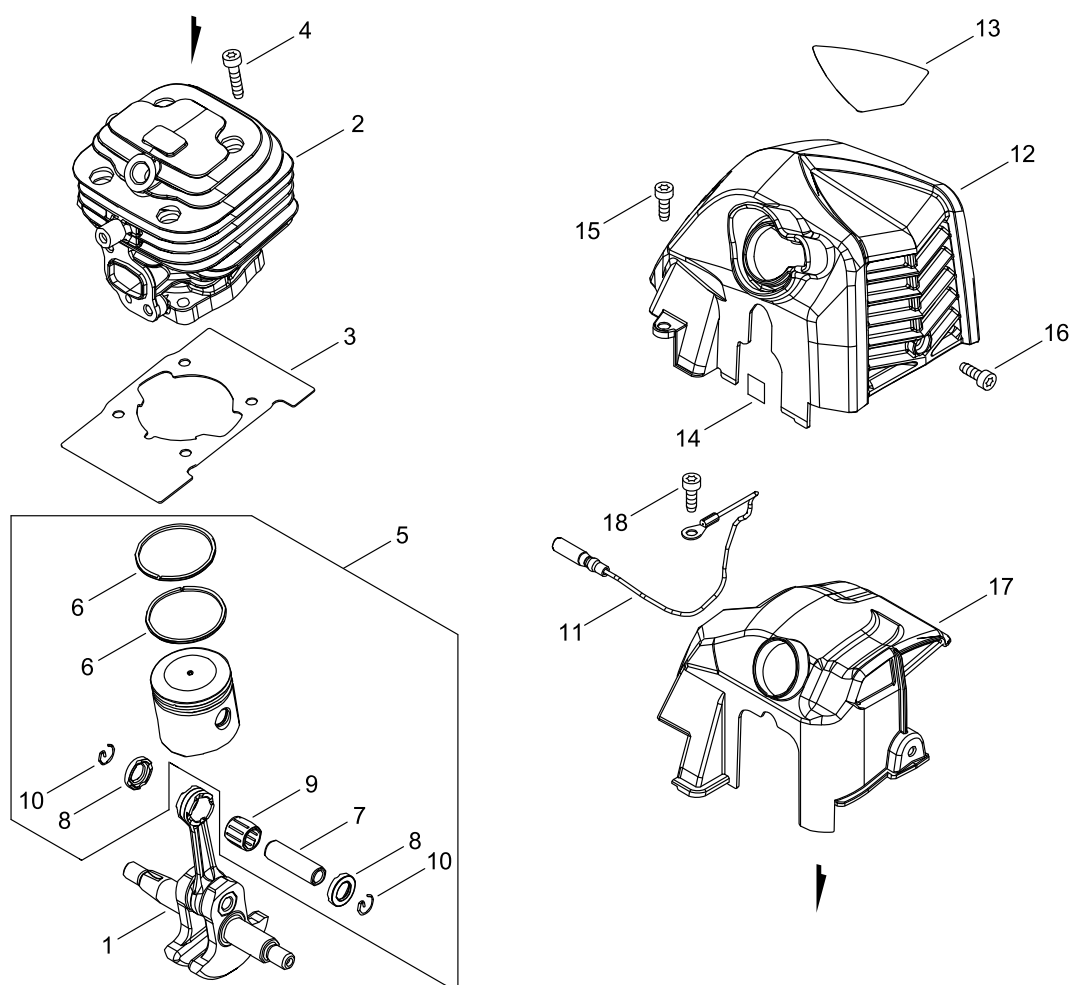
Last updated date

30/Jan/2021

TABLE OF CONTENTS

CYLINDER, PISTON, CRANKSHAFT	1
CRANKCASE	3
MAGNETO.....	5
CLUTCH.....	7
AIR CLEANER, CARBURETOR.....	9
CARBURETOR.....	11
FUEL TANK	13
MUFFLER.....	15
RECOIL STARTER, PULLY	17
GEAR CASE, SHIELD	19
MAIN PIPE, HANDLE.....	21
THROTTLE.....	23
ACCESSORIES	25

CYLINDER, PISTON, CRANKSHAFT



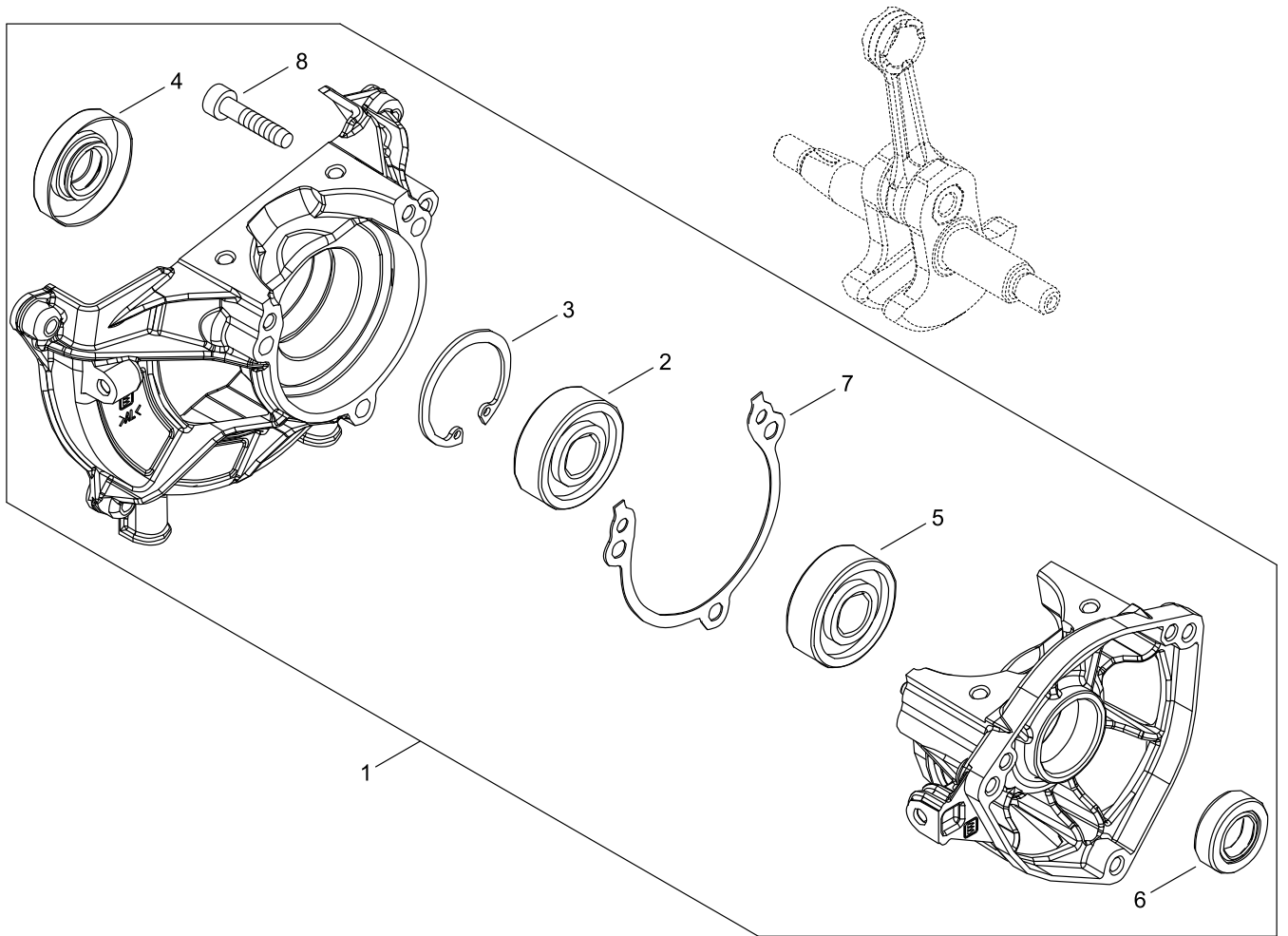
CYLINDER, PISTON, CRANKSHAFT

Key No.	LV (+)	Parts Number	Parts Description	Qty	Standard	Class
1		A011-001540	CRANKSHAFT,ASY	1		D
2		A130-002350	CYLINDER	1		D
3		V100-000870	GASKET,CYL	1	T:0.8	B
4		V805-000210	BOLT, TORX 5	4	TB-5*20 12.9	C
5		P100-005250	PISTON KIT	1		
6	+	A101-000740	RING, PISTON	2	36*1.2*1.5	B
7	+	100013-27430	PIN, PISTON	1		D
8	+	100014-53630	SPACER, PISTON PIN	2		C
9	+	100012-16131	BEARING, NEEDLE	1		C
10	+	100015-03931	CIRCLIP, PISTON PIN	2		C
11		V485-003060	LEAD	1	CB104,LA105 L230	C
12		A160-003460	COVER,CYLINDER	1		C
13		X503-015870	LABEL,MODEL	1	SRM-3021TES	
14		X524-001901	LABEL	1		D
15		V805-000140	BOLT, TORX 5	1	TB-5*12 10.9	C
16		V835-000010	BOLT, TORX 5	1	TB-5*12 10.9	C
17		A160-003470	COVER,CYLINDER	1	INNER COVER	C
18		V805-000140	BOLT, TORX 5	1	TB-5*12 10.9	C

Class : Consumable class

A:Fast moving parts B:Semi-fast moving parts C:Slow moving parts D:Order only as needed

CRANKCASE



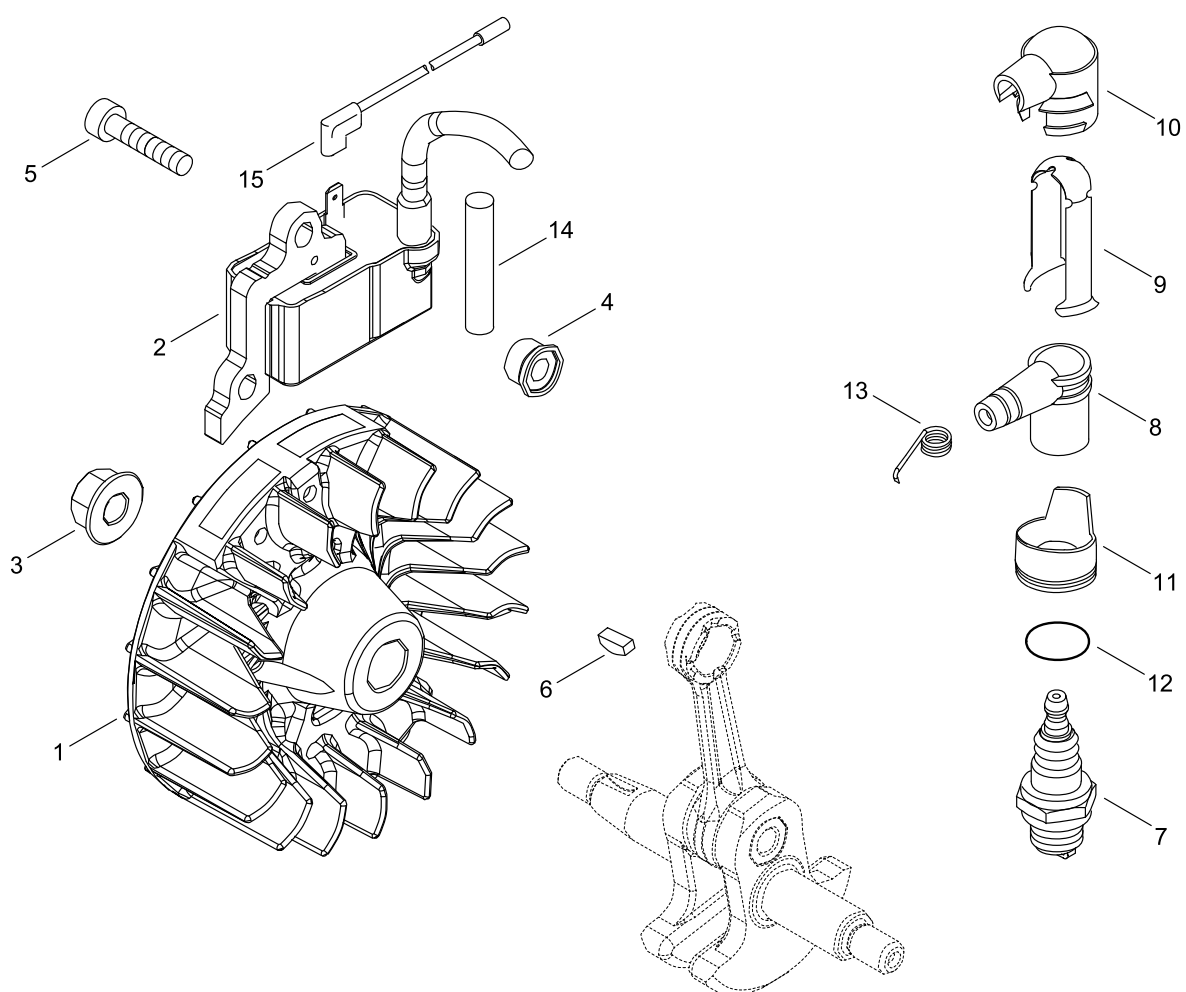
CRANKCASE

Key No.	LV (+)	Parts Number	Parts Description	Qty	Standard	Class
1		P100-005260	CRANKCASE SET	1		
2	+	94035-36201	BEARING, BALL	1	6201	
3	+	900702-00032	RETAINING RING	1	CR-32	
4	+	100212-03930	OILSEAL	1	ISCX12*32*5.5	C
5	+	94035-36201	BEARING, BALL	1	6201	
6	+	100213-05530	OILSEAL	1	ISCD 12 22 7	C
7	+	V102-000310	GASKET,CRANKCASE	1	T:0.5	B
8	+	V805-000220	BOLT, TORX 5	3	TB-5*25 12.9	C

Class : Consumable class

A:Fast moving parts B:Semi-fast moving parts C:Slow moving parts D:Order only as needed

MAGNETO



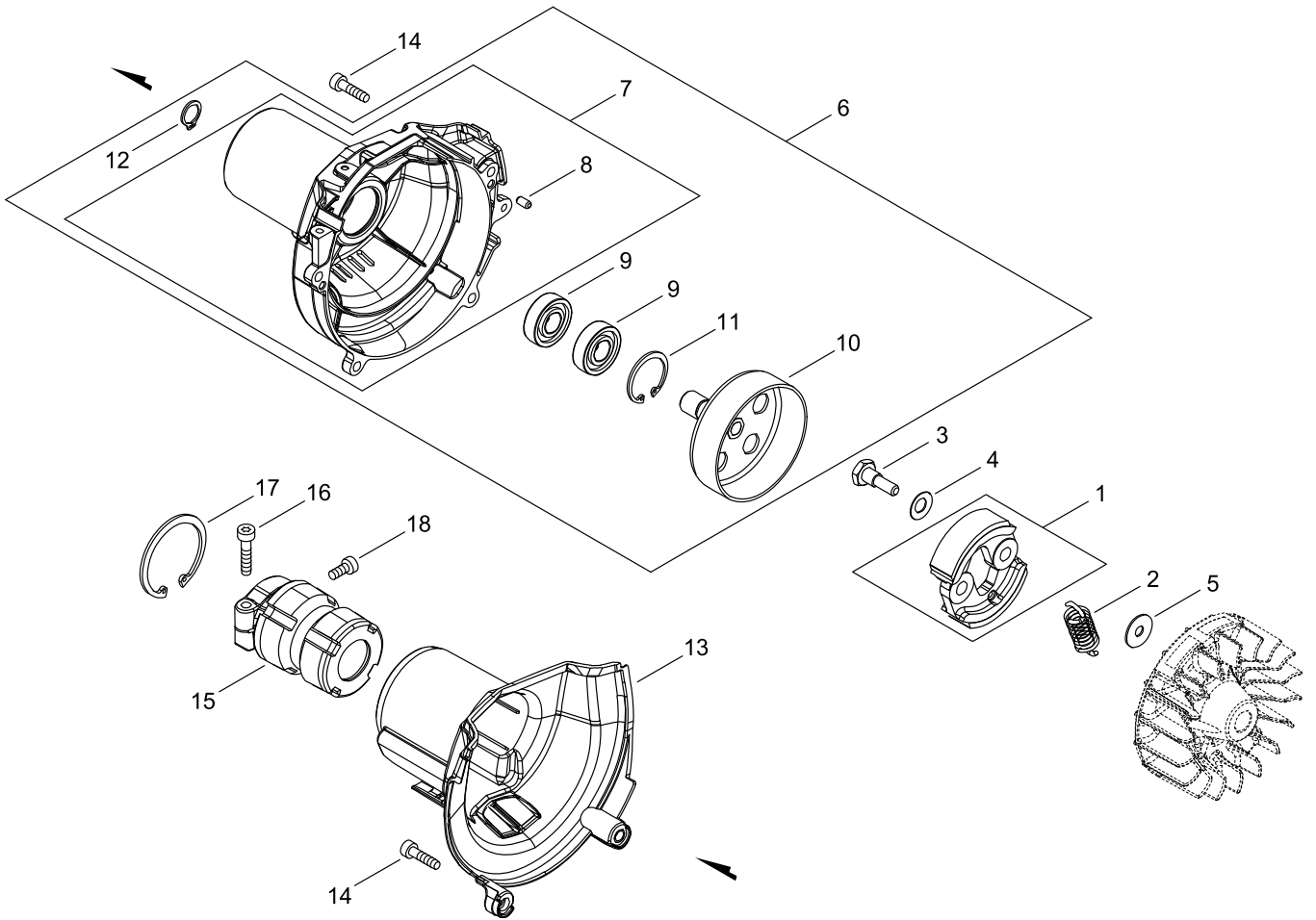
MAGNETO

Key No.	LV (+)	Parts Number	Parts Description	Qty	Standard	Class
1		A409-001350	ROTOR, MAGNETO	1	ID#R10036	C
2		A411-001780	COIL, IGNITION	1	ID#A10088	C
3		900515-00008	NUT, FLANGE	1	8	
4		V323-000130	WASHER,CIRCULAR 5	2		C
5		V835-000030	BOLT, TORX 5	2	TB-5*20 10.9	C
6		100142-12330	KEY, WOODRUFF	1		C
7		A425-000060	SPARKPLUG	1	CMR7H	A
8		A427-000090	PLUG CAP	1		C
9		V151-000170	PLATE,CUP	1		C
10		A429-000110	PLUG CAP COVER	1		C
11		J473-000120	PIECE,COVER	1		
12		900720-00022	O-RING	1	P-22	
13		159011-03432	COIL, SPARK PLUG	1		C
14		V475-007550	TUBE	1		C
15		V485-003050	LEAD	1	CB104/L245	C

Class : Consumable class

A:Fast moving parts B:Semi-fast moving parts C:Slow moving parts D:Order only as needed

CLUTCH



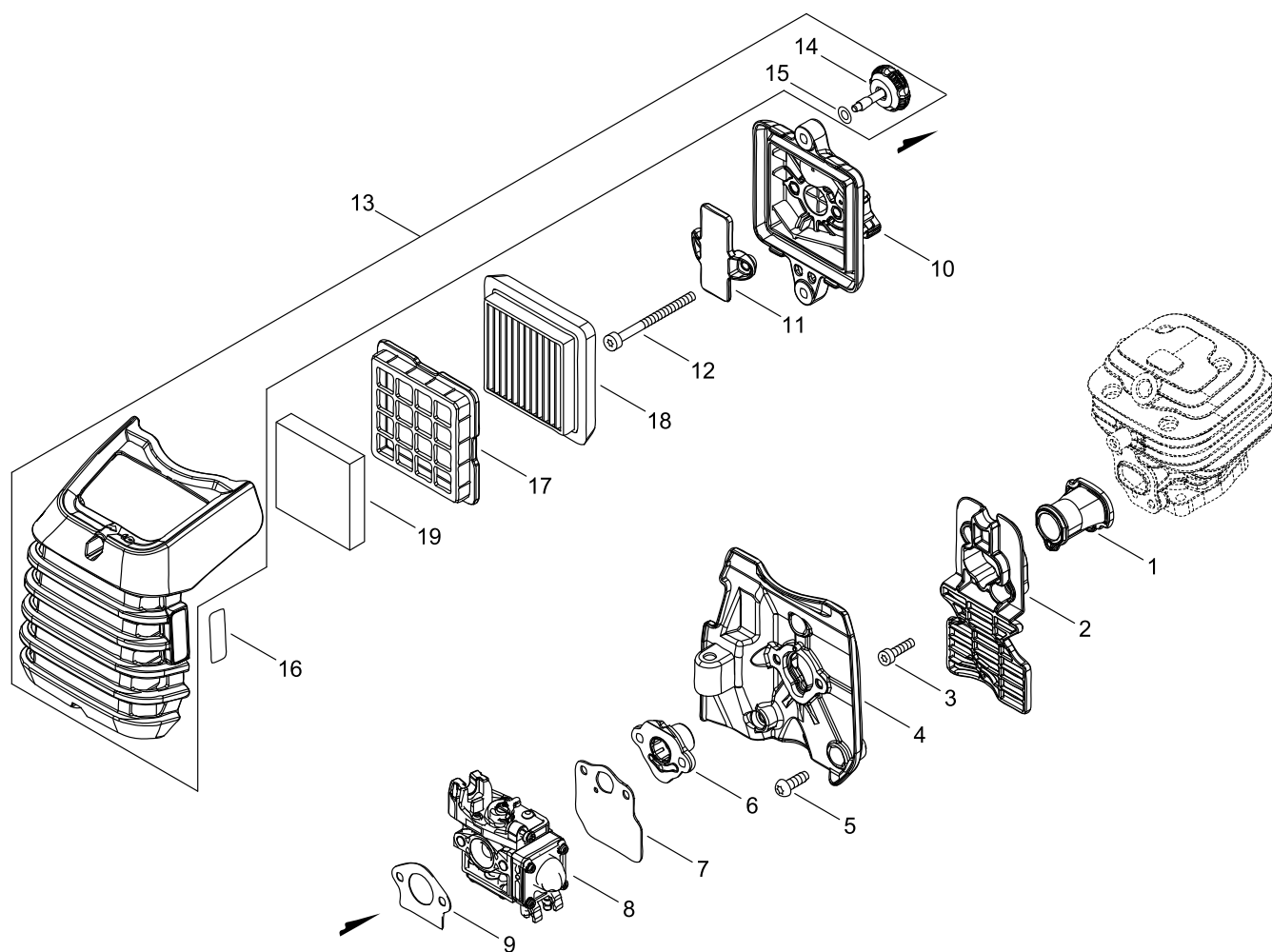
CLUTCH

Key No.	LV (+)	Parts Number	Parts Description	Qty	Standard	Class
1		P100-005270	CLUTCH SHOE SET	1		
2		A566-000330	SPRING, CLUTCH	1		B
3		175046-56030	SHAFT, CLUTCH	2		B
4		175049-56030	WASHER	2	8.5*16*0.5	C
5		175048-05530	WASHER (I)	2	6.2*19*1.0	C
6		P100-005280	FAN COVER ASY	1		
7	+	A172-003410	COVER,FAN	1		C
8	++	900330-40080	ROLLER	2	4*8	
9	+	900807-06001	BEARING, BALL	2	6001LB	
10	+	A556-001820	DRUM, CLUTCH	1	64	B
11	+	900702-00028	RETAINING RING	1	CR-28	
12	+	900701-00012	RETAINING RING	1	CS-12	
13		A413-000120	BOOT	1		C
14		V805-000160	BOLT, TORX 5	4	TB-5*20 10.9	C
15		V420-000970	CUSHION	1		B
16		V805-000170	BOLT, TORX 5	1	TB-5*25 10.9	C
17		900702-00045	RETAINING RING	1	CR-45	
18		V805-000140	BOLT, TORX 5	1	TB-5*12 10.9	C

Class : Consumable class

A:Fast moving parts B:Semi-fast moving parts C:Slow moving parts D:Order only as needed

AIR CLEANER, CARBURETOR



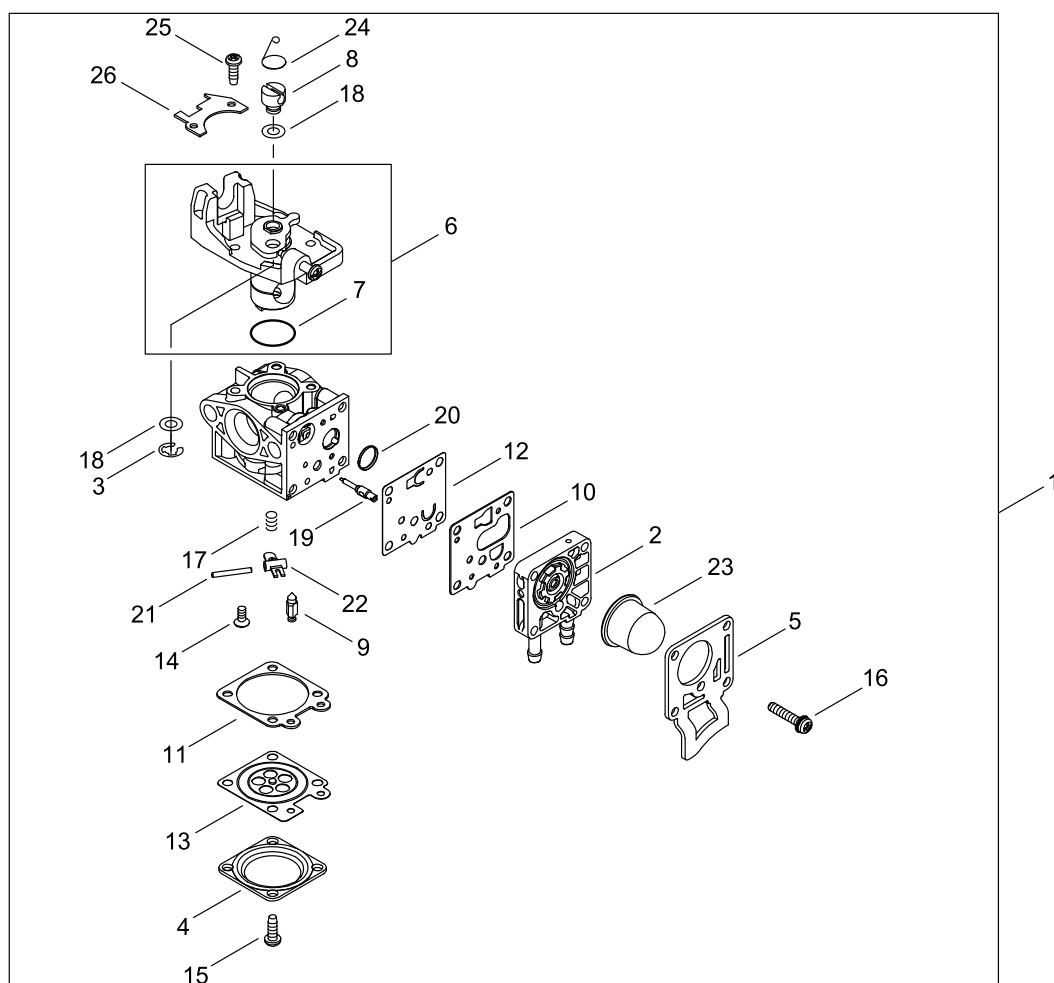
AIR CLEANER, CARBURETOR

Key No.	LV (+)	Parts Number	Parts Description	Qty	Standard	Class
1		A202-000330	BELLOWS, INTAKE	1		C
2		A206-000060	HOLDER, BELLOWS	1		C
3		V805-000150	BOLT, TORX 5	2	TB-5*16 10.9	C
4		A209-001080	PLATE, INSULATOR	1		C
5		V805-000000	BOLT, TORX 5	3	TT-5*16 DG 10.9	C
6		A209-001090	PLATE, INSULATOR	1		C
7		V103-002010	GASKET,INTAKE	1	T:1.0	A
8		A021-004831	CARBURETOR,DIAPHRAGM	1	WYG-11" •	B
9		V103-001900	GASKET,INTAKE	1		A
10		P021-050880	CLEANER CASE ASY	1		
11		A244-000370	PLATE,PREVENT	1		C
12		V805-000340	BOLT, TORX 5	2	TB-5*60 10.9	C
13		P100-005291	CLEANER COVER ASY	1		C
14	+	V299-000640	KNOB,FASTENER	2		C
15	+	V340-000210	WASHER	2	5.6*11.3	C
16		890332-52730	LABEL, CHOKE	1		D
17		A227-000050	PLATE, ELEMENT	1		C
18		A226-002030	ELEMENT, AIR FILTER	1		A
19		A226-002040	ELEMENT, AIR FILTER	1	HP-70	A

Class : Consumable class

A:Fast moving parts B:Semi-fast moving parts C:Slow moving parts D:Order only as needed

CARBURETOR



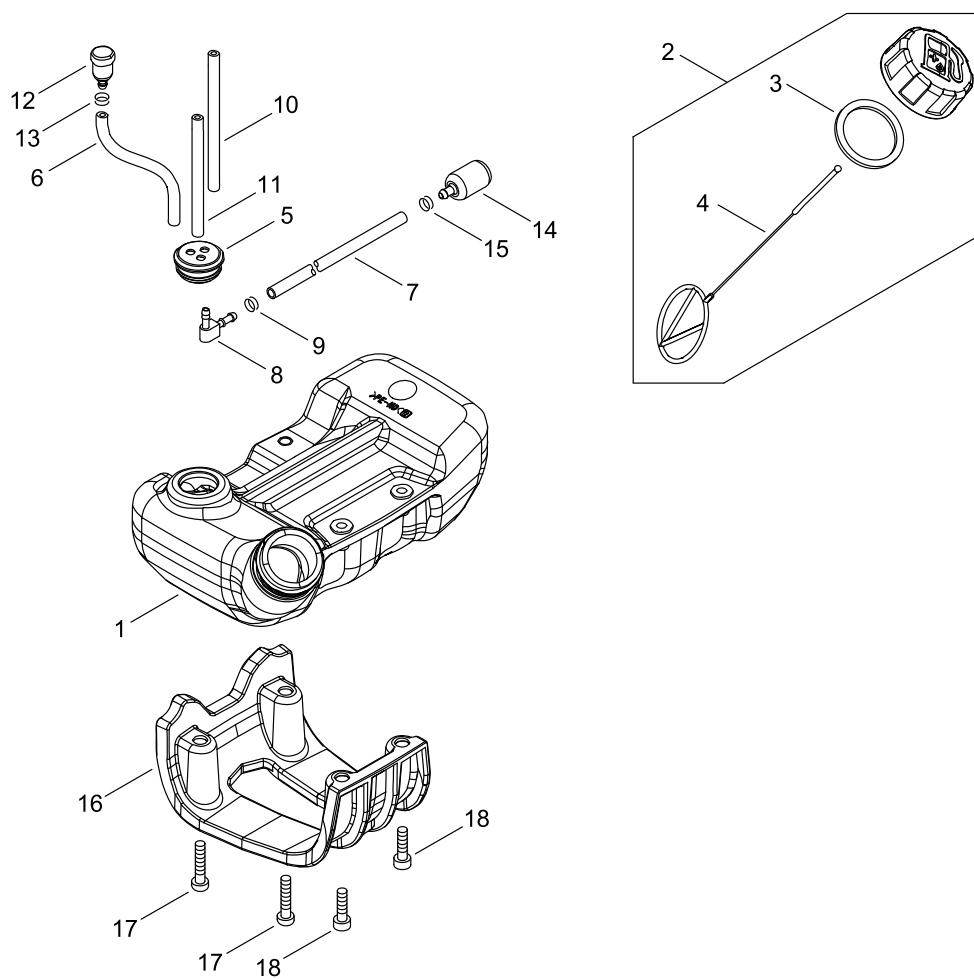
CARBURETOR

Key No.	LV (+)	Parts Number	Parts Description	Qty	Standard	Class
1		A021-004831	CARBURETOR,DIAPHRAGM	1	WYG-11" •	B
2	+	P003-006120	BODY ASSEMBLY, PUMP	1		
3	+	123173-07930	CLIP	1		
4	+	123142-03930	COVER, M. DIAPHRAGM	1		
5	+	P003-006500	COVER, FUEL PUMP	1		
6	+	P003-006130	VALVE, THROTTLE	1		
7	++	P003-004480	O-RING	1		
8	+	P003-005850	SWIVEL	1		
9	+	123137-19830	VALVE, INLET NEEDLE	1		
10	+	P003-004530	GASKET, FUEL PUMP	1		
11	+	123140-27230	GASKET,M. DIAPHRAGM	1		
12	+	P003-004540	DIAPHRAGM, FUEL PUMP	1		
13	+	P003-001670	DIAPHRAGM, METERING	1		
14	+	P003-005860	SCREW	1		
15	+	P003-004560	SCREW	4		
16	+	P003-004570	SCREW	4		
17	+	P003-005870	SPRING	1		
18	+	P003-001710	WASHER	2		
19	+	P003-005880	NEEDLE	1		D
20	+	123126-10631	SCREEN, INLET	1		
21	+	123138-03930	PIN, METERING LEVER	1		
22	+	P003-001630	LEVER, METERING	1		
23	+	123181-09560	PUMP, PRIMER	1		
24	+	P003-005890	CLIP	1		
25	+	123114-40630	SCREW	3		
26	+	P003-005900	PLATE	1		

Class : Consumable class

A:Fast moving parts B:Semi-fast moving parts C:Slow moving parts D:Order only as needed

FUEL TANK



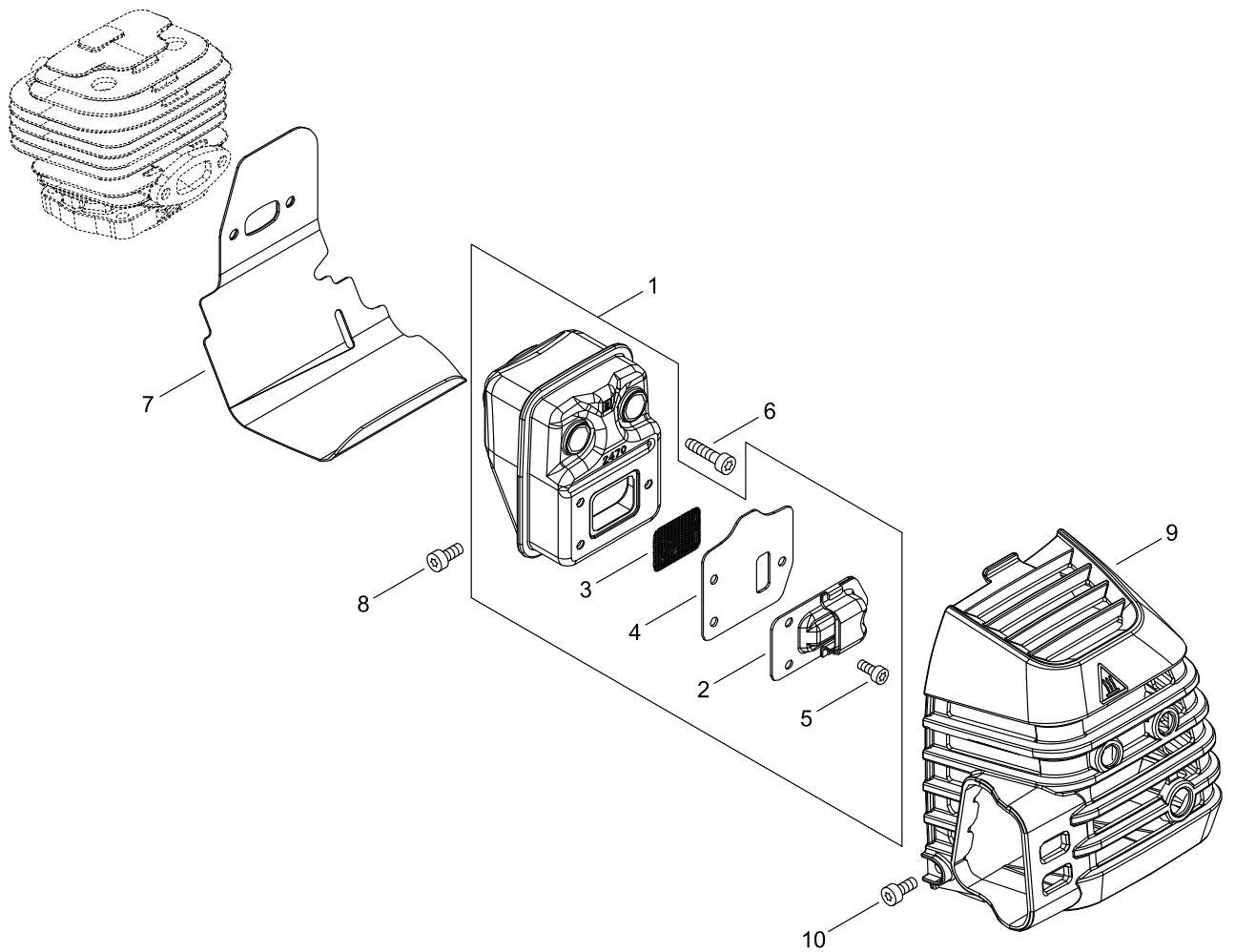
FUEL TANK

Key No.	LV (+)	Parts Number	Parts Description	Qty	Standard	Class
1		A350-002500	TANK, FUEL	1		C
2		P021-012211	CAP,FUEL ASY	1		
3	+	V107-000190	GASKET,FUEL CAP	1	37.9* T 2.2	A
4	+	A365-000060	CONNECTOR,CAP	1	L=123	B
5		132115-55931	GROMMET, FUEL	1	3 φ5	C
6		V471-001201	PIPE	1	3*5*70	C
7		V470-002361	PIPE	1		C
8		V186-000500	JOINT,PIPE	1		C
9		V490-001240	CLIP	1		C
10		V471-003321	PIPE	1	3*6*95	C
11		132010-49730	PIPE 3*6*85	1	3*6*85 YL	C
12		A356-000031	VALVE,CHECK	1		B
13		V490-001230	CLIP	1		C
14		A369-000470	STRAINER, FUEL	1		A
15		V490-001240	CLIP	1		C
16		A175-000400	STAND	1		C
17		V805-000230	BOLT, TORX 5	2	TT-5*25 DG 10.9	C
18		V805-000160	BOLT, TORX 5	2	TB-5*20 10.9	C

Class : Consumable class

A:Fast moving parts B:Semi-fast moving parts C:Slow moving parts D:Order only as needed

MUFFLER



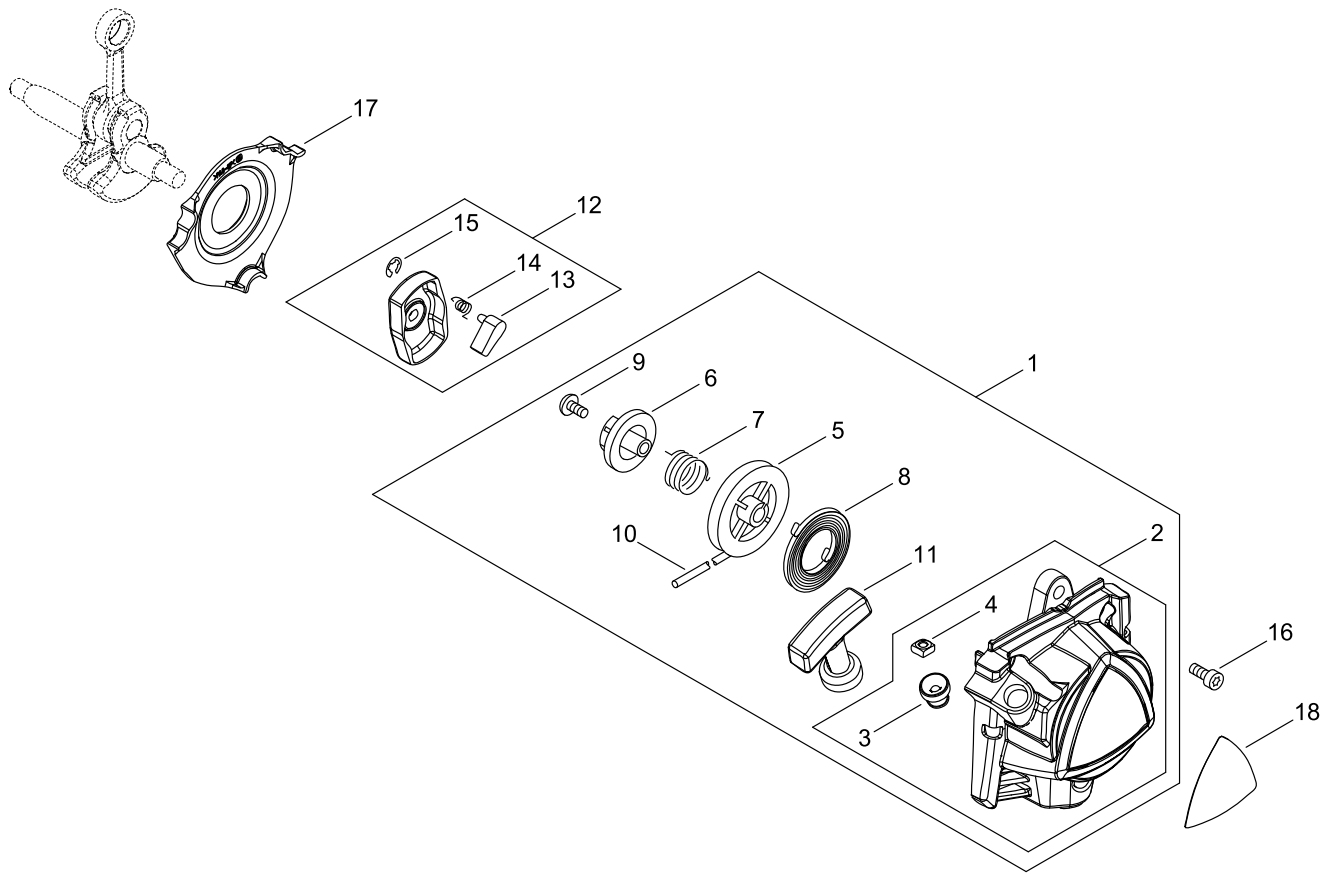
MUFFLER

Key No.	LV (+)	Parts Number	Parts Description	Qty	Standard	Class
1		P100-005300	MUFFLER ASY	1		
2	+	A313-002080	GUIDE, EXHAUST	1	ID#2480	C
3	+	145862-40630	SCREEN, MUFFLER	1		B
4	+	V104-002380	GASKET,EXHAUST	1	T:1.0	A
5	+	V804-000030	BOLT, TORX 4	3	TB-4*8 10.9	C
6		V805-000210	BOLT, TORX 5	2	TB-5*20 12.9	C
7		V104-002390	GASKET,EXHAUST	1		A
8		V805-000300	BOLT, TORX 5	1	TB-5*12 12.9	C
9		A320-001290	COVER,MUFFLER	1		C
10		V835-000010	BOLT, TORX 5	2	TB-5*12 10.9	C

Class : Consumable class

A:Fast moving parts B:Semi-fast moving parts C:Slow moving parts D:Order only as needed

RECOIL STARTER, PULLY



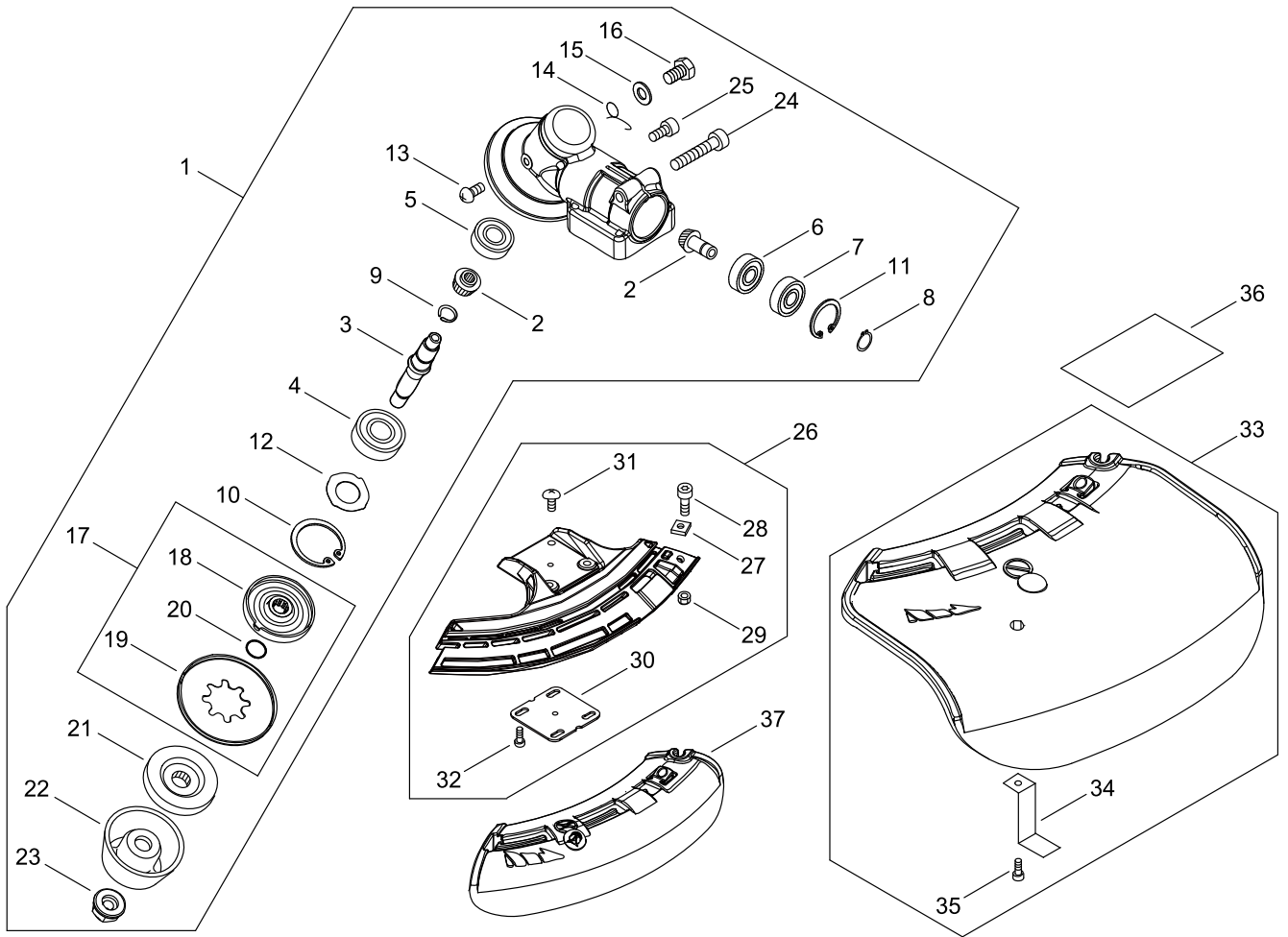
RECOIL STARTER, PULLY

Key No.	LV (+)	Parts Number	Parts Description	Qty	Standard	Class
1		A051-003340	STARTER,RECOIL ASY	1		B
2	+	P022-050890	STARTER,RECOIL	1		
3	++	P022-045770	GUIDE, ROPE	1		
4	++	P022-022010	NUT	2		
5	+	P022-008470	DRUM	1		
6	+	P022-008460	PLATE, CAM	1		
7	+	P022-008450	SPRING,DAMPER	1		
8	+	177220-40630	SPRING, REWIND	1		
9	+	177236-61830	SCREW	1		
10	+	P022-050900	ROPE	1	3.5*750	
11	+	P022-050910	GRIP, STARTER	1		
12		A052-000190	PULLEY,ASM STARTER	1		C
13	+	P022-008480	PAWL, STARTER	2		
14	+	177234-40630	SPRING, RETURN	2		
15	+	P022-002100	E-RING	2	4	
16		V805-000150	BOLT, TORX 5	3	TB-5*16 10.9	C
17		A127-000530	COVER,DUST	1		C
18		X547-003730	LABEL,ECHO	1	ECHO+SRM-3021TES	

Class : Consumable class

A:Fast moving parts B:Semi-fast moving parts C:Slow moving parts D:Order only as needed

GEAR CASE, SHIELD



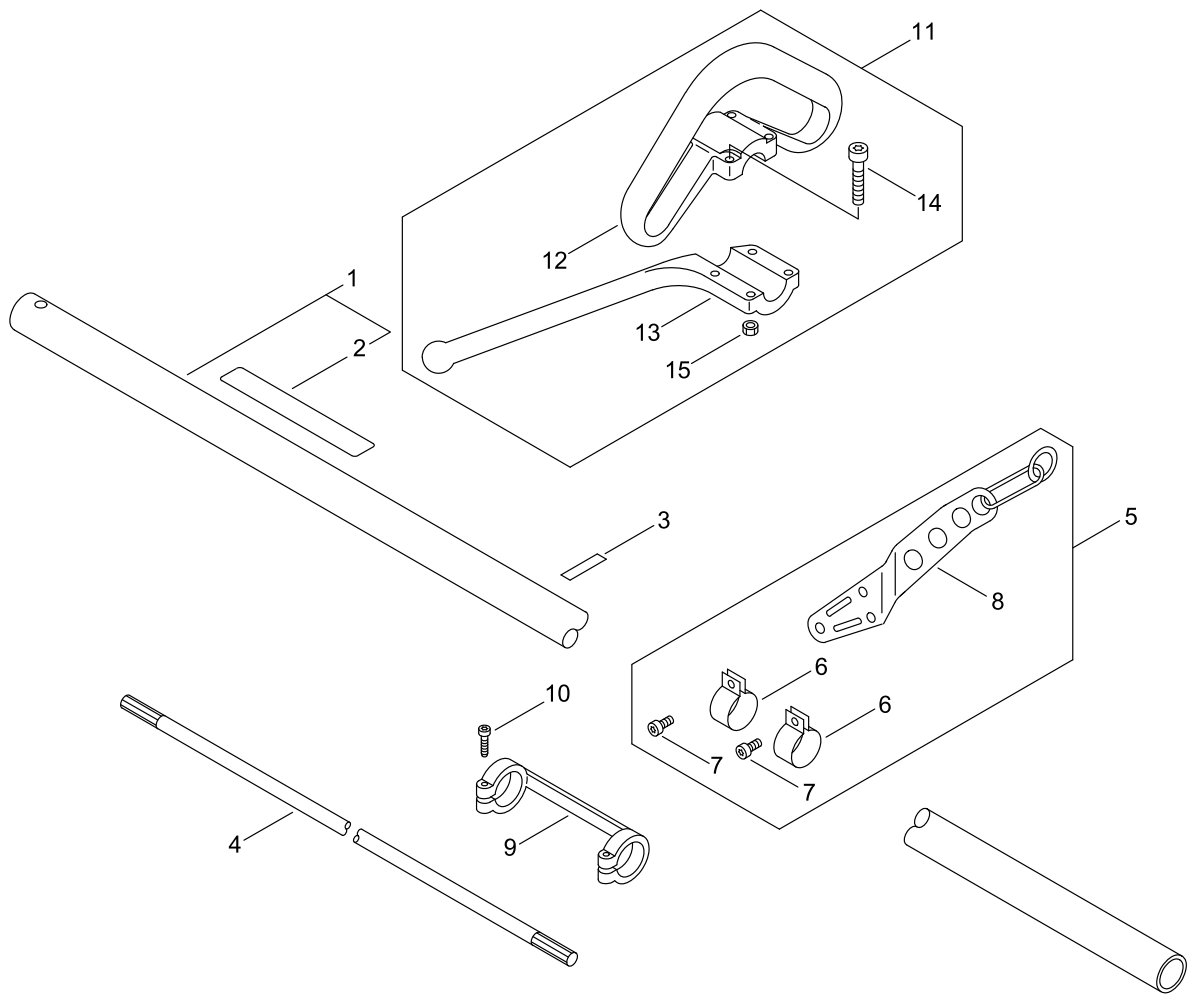
GEAR CASE, SHIELD

Key No.	LV (+)	Parts Number	Parts Description	Qty	Standard	Class
1		P100-004840	CASE,GEAR ASY	1		
2	+	V000-000260	GEAR SET, BEVEL	1		D
3	+	C534-001080	SHAFT, GEAR	1		D
4	+	900812-06201	BEARING, BALL	1	6201LLU(DDU)	
5	+	900810-00629	BEARING, BALL	1	629	
6	+	900800-00609	BEARING, BALL	1	609	
7	+	900803-00609	BEARING, BALL	1	609Z	
8	+	900701-00009	RETAINING RING	1	CS-9	
9	+	900706-00012	RETAINING RING	1	WR-12	
10	+	900702-00032	RETAINING RING	1	CR-32	
11	+	900702-00025	RETAINING RING	1	CR-25	
12	+	V340-000180	WASHER	1		C
13	+	900220-04006	SCREW	1	4*6	
14	+	V452-001310	SPRING,TORSION	1		B
15	+	900603-50008	WASHER	1	8.5*18*0.8T	C
16	+	610434-50031	BOLT 8* 8	1	M8*8	C
17	+	610313-52932	FIXTURE,BLADE	1		C
18	++	610313-52132	FIXTURE,BLADE	1		C
19	++	610352-56830	PLATE, CUP	1		C
20	++	900720-00012	O-RING	1	P-12	
21	+	610314-52130	PLATE, ADAPTER (L)	1		C
22	+	699229-56830	PLATE, COVER	1		C
23	+	610320-52130	NUT 10	1		C
24	+	V806-000020	BOLT, TORX 6	1	TB-6*25 10.9	C
25	+	V805-000130	BOLT, TORX 5	1	TB-5*10 10.9	C
26		P100-010520	SHIELD ASY	1		B
27	+	900565-00005	NUT, SQUARE	1	5	
28	+	V805-000170	BOLT, TORX 5	1	TB-5*25 10.9	C
29	+	900562-00005	NUT, LOCK	1	5	
30	+	C552-000200	PLATE, SHIELD	1		D
31	+	91316-04010	SCREW	1	4*10	
32	+	V805-000260	BOLT, TORX 5	4	TB5*25 10.9	C
33		P021-043981	SHIELD ASY, BLADE	1		
34	+	C554-000001	KNIFE,CORD	1		B
35	+	V805-000150	BOLT, TORX 5	1	TB-5*16 10.9	C
36		X530-000560	LABEL,EYE CATCHER	1	HIGH TORQUE	D
37		C550-000541	SHIELD, BLADE	1		B

Class : Consumable class

A:Fast moving parts B:Semi-fast moving parts C:Slow moving parts D:Order only as needed

MAIN PIPE, HANDLE



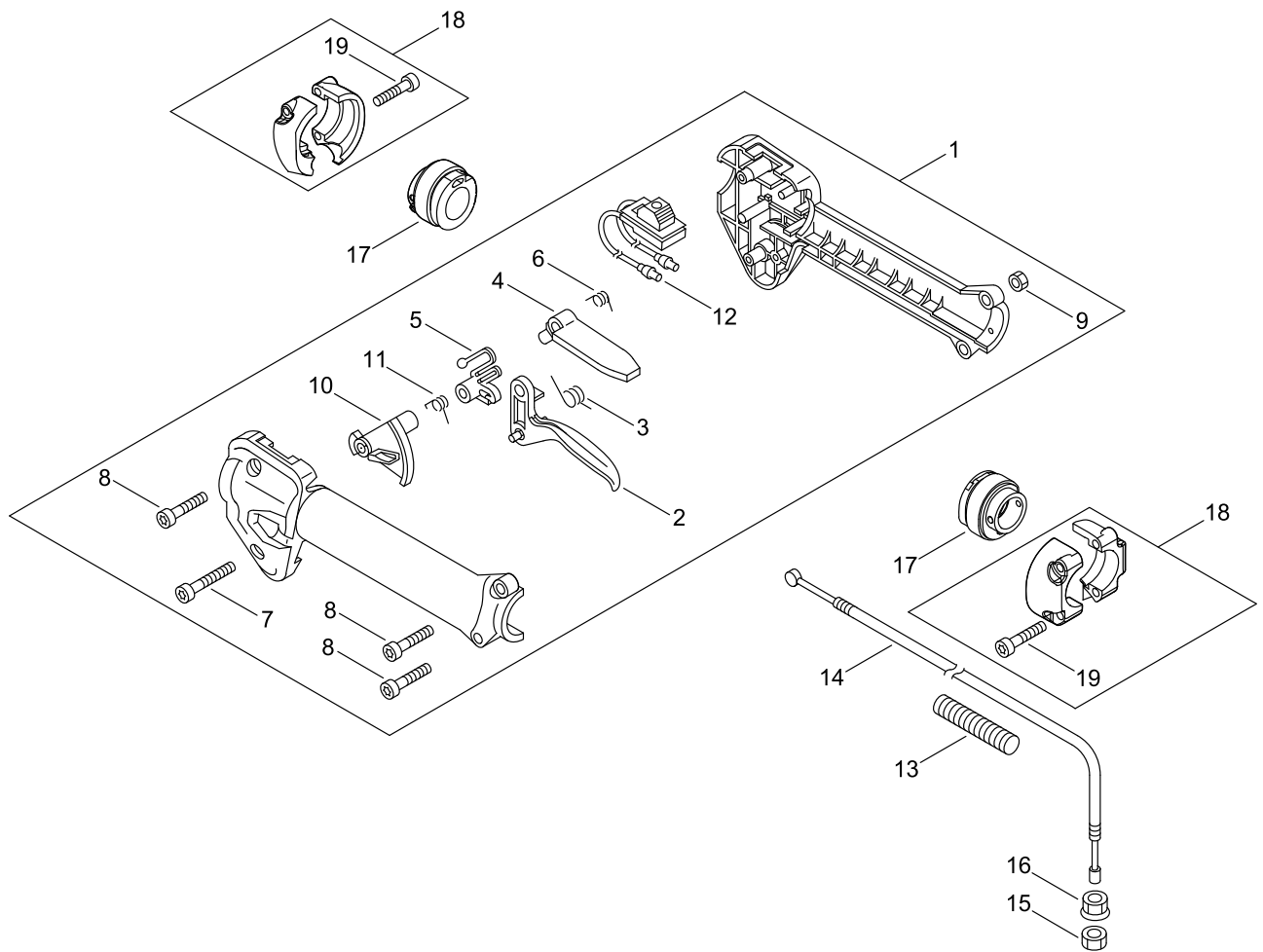
MAIN PIPE, HANDLE

Key No.	LV (+)	Parts Number	Parts Description	Qty	Standard	Class
1		P100-005430	MAIN PIPE ASY	1		
2	+	890617-43130	LABEL,CAUTION	1		D
3		890152-04930	LABEL, CAUTION	1		D
4		C504-000050	SHAFT,DRIVE	1	7*1540	C
5		P100-007470	HOOK ASY	1		
6	+	V495-001010	BAND	2		C
7	+	V805-000140	BOLT, TORX 5	2	TB-5*12 10.9	C
8	+	C624-000020	HANGER,HARNESS	1		D
9		V363-000320	COLLAR,24	1		C
10		V804-000020	BOLT, TORX 4	2	TT-4*20 DG 10.9	C
11		P021-050970	FRONT HANDLE ASY	1		
12	+	C400-000220	HANDLE,FRONT	1		C
13	+	351643-51730	BRACET, HANDLE	1		C
14	+	V805-000050	BOLT, TORX 5	4	TB-5*30 10.9	C
15	+	900500-00005	NUT	4	5	

Class : Consumable class

A:Fast moving parts B:Semi-fast moving parts C:Slow moving parts D:Order only as needed

THROTTLE



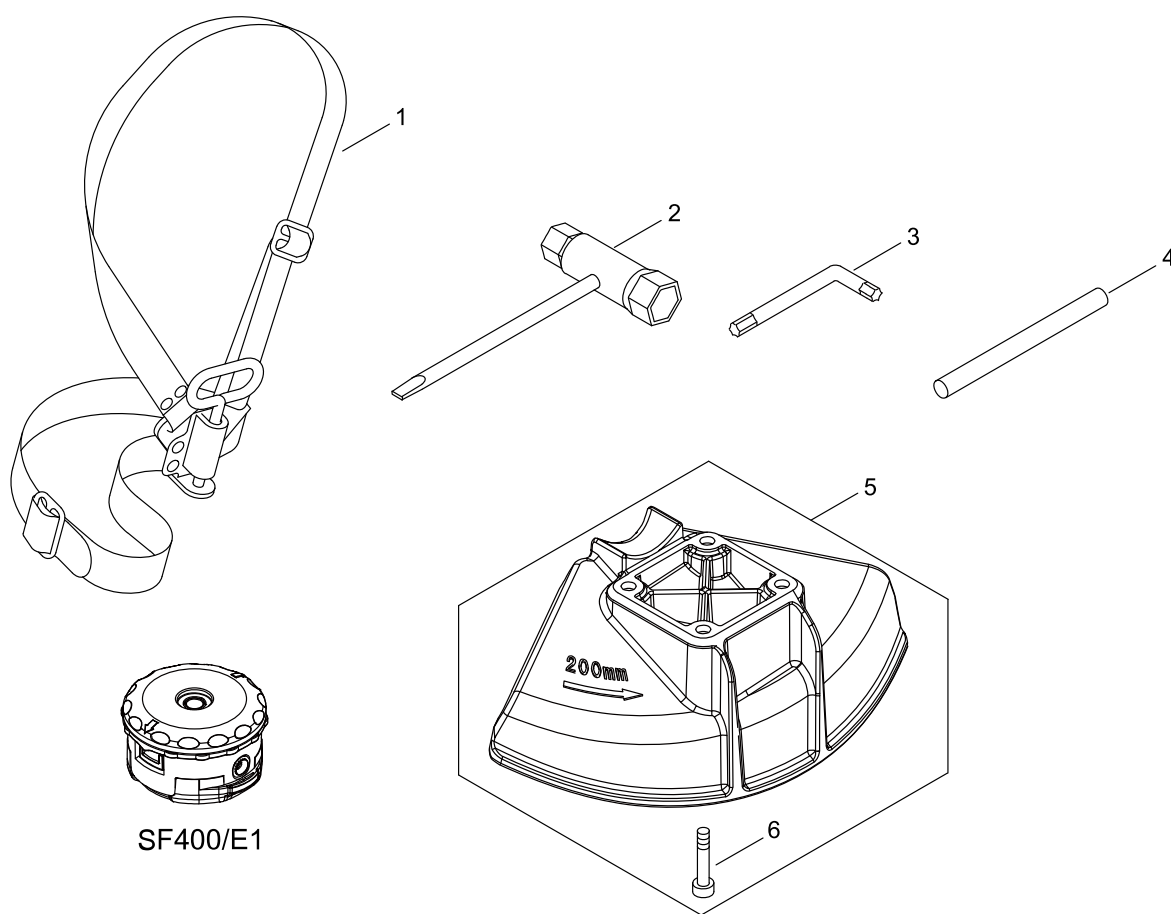
THROTTLE

Key No.	LV (+)	Parts Number	Parts Description	Qty	Standard	Class
1		P100-007480	THROTTLE ASY	1		
2	+	C450-000110	TRIGGER,THROTTLE	1		C
3	+	178043-42230	SPRING, THR. RETURN	1		B
4	+	178090-52632	LOCKOUT, T. CONTROL	1		C
5	+	C461-000000	LATCH,THROTTLE	1		C
6	+	178013-52630	SPRING, THR. LOCK	1		B
7	+	V805-000060	BOLT, TORX 5	1	TB-5*35 10.9	C
8	+	V805-000170	BOLT, TORX 5	3	TB-5*25 10.9	C
9	+	900500-00005	NUT	4	5	
10	+	C461-000010	LATCH,THROTTLE	1		C
11	+	V452-000120	SPRING,TORSION	1		B
12	+	A440-003020	SWITCH, ON OFF	1		C
13		V475-009310	TUBE	1	7*85コルゲートスリットレス	C
14		V430-004940	CABLE,BOWDEN	1		B
15		900502-00006	NUT	1	6	
16		900518-00006	NUT, FLANGE	1	6	
17		V420-000960	CUSHION	2		B
18		P021-050990	HANDLE FIXTURE ASY	2		
19	+	V805-000170	BOLT, TORX 5	4	TB-5*25 10.9	C

Class : Consumable class

A:Fast moving parts B:Semi-fast moving parts C:Slow moving parts D:Order only as needed

ACCESSORIES



ACCESSORIES

Key No.	LV (+)	Parts Number	Parts Description	Qty	Standard	Class
1		301001-46732	HARNESS, SHOULDER	1	L1910,L1550	B
2		895415-66630	WRENCH, SPCKET	1		D
3		X605-000170	TOOL,L WRENCH	1		D
4		X606-000080	TOOL,BAR	1	5*120	D
5		P100-008860	SAW BLADE SHIELD	1		
6	+	V805-000410	BOLT, TORX 5	4	TB-5*20 10.9	C

Class : Consumable class

A:Fast moving parts B:Semi-fast moving parts C:Slow moving parts D:Order only as needed

NUMERICAL PARTS INDEX

Part No	Part description	Page	Part No	Part description	Page	Part No	Part description	Page
100012-16131	BEARING, NEEDLE	2	900502-00006	NUT	24	A320-001290	COVER,MUFFLER	16
100013-27430	PIN, PISTON	2	900515-00008	NUT, FLANGE	6	A350-002500	TANK, FUEL	14
100014-53630	SPACER, PISTON PIN	2	900518-00006	NUT, FLANGE	24	A356-000031	VALVE,CHECK	14
100015-03931	CIRCLIP, PISTON PIN	2	900562-00005	NUT, LOCK	20	A365-000060	CONNECTOR,CAP	14
100142-12330	KEY, WOODRUFF	6	900565-00005	NUT, SQUARE	20	A369-000470	STRAINER, FUEL	14
100212-03930	OILSEAL	4	900603-50008	WASHER	20	A409-001350	ROTOR, MAGNETO	6
100213-05530	OILSEAL	4	900701-00009	RETAINING RING	20	A411-001780	COIL, IGNITION	6
123114-40630	SCREW	12	900701-00012	RETAINING RING	8	A413-000120	BOOT	8
123126-10631	SCREEN, INLET	12	900702-00025	RETAINING RING	20	A425-000060	SPARKPLUG	6
123137-19830	VALVE, INLET NEEDLE	12	900702-00028	RETAINING RING	8	A427-000090	PLUG CAP	6
123138-03930	PIN, METERING LEVER	12	900702-00032	RETAINING RING	4	A429-000110	PLUG CAP COVER	6
123140-27230	GASKET,M. DIAPHRAGM	12	900702-00032	RETAINING RING	20	A440-003020	SWITCH, ON OFF	24
123142-03930	COVER, M. DIAPHRAGM	12	900702-00045	RETAINING RING	8	A556-001820	DRUM, CLUTCH	8
123173-07930	CLIP	12	900706-00012	RETAINING RING	20	A566-000330	SPRING, CLUTCH	8
123181-09560	PUMP, PRIMER	12	900720-00012	O-RING	20	C400-000220	HANDLE,FRONT	22
132010-49730	PIPE 3*6*85	14	900720-00022	O-RING	6	C450-000110	TRIGGER,THROTTLE	24
132115-55931	GROMMET, FUEL	14	900800-00609	BEARING, BALL	20	C461-000000	LATCH,THROTTLE	24
145862-40630	SCREEN, MUFFLER	16	900803-00609	BEARING, BALL	20	C461-000010	LATCH,THROTTLE	24
159011-03432	COIL, SPARK PLUG	6	900807-06001	BEARING, BALL	8	C504-000050	SHAFT,DRIVE	22
175046-56030	SHAFT, CLUTCH	8	900810-00629	BEARING, BALL	20	C534-001080	SHAFT, GEAR	20
175048-05530	WASHER (I)	8	900812-06201	BEARING, BALL	20	C550-000541	SHIELD, BLADE	20
175049-56030	WASHER	8	91316-04010	SCREW	20	C552-000200	PLATE, SHIELD	20
177220-40630	SPRING, REWIND	18	94035-36201	BEARING, BALL	4	C554-000001	KNIFE,CORD	20
177234-40630	SPRING, RETURN	18	A011-001540	CRANKSHAFT,ASY	2	C624-000020	HANGER,HARNES	22
177236-61830	SCREW	18	A021-004831	CARBURETOR, DIAPHRAGM	10	J473-000120	PIECE,COVER	6
178013-52630	SPRING, THR. LOCK	24	A021-004831	CARBURETOR, DIAPHRAGM	12	P003-001630	LEVER, METERING	12
178043-42230	SPRING, THR. RETURN	24	A051-003340	STARTER,RECOIL ASY	18	P003-001670	DIAPHRAGM, METERING	12
178090-52632	LOCKOUT, T. CONTROL	24	A052-000190	PULLEY,ASM STARTER	18	P003-001710	WASHER	12
301001-46732	HARNES, SHOULDER	26	A101-000740	RING, PISTON	2	P003-004480	O-RING	12
351643-51730	BRACET, HANDLE	22	A127-000530	COVER,DUST	18	P003-004530	GASKET, FUEL PUMP	12
610313-52132	FIXTURE,BLADE	20	A130-002350	CYLINDER	2	P003-004540	DIAPHRAGM, FUEL PUMP	12
610313-52932	FIXTURE,BLADE	20	A160-003460	COVER,CYLINDER	2	P003-004560	SCREW	12
610314-52130	PLATE, ADAPTER (L)	20	A160-003470	COVER,CYLINDER	2	P003-004570	SCREW	12
610320-52130	NUT 10	20	A172-003410	COVER,FAN	8	P003-005850	SWIVEL	12
610352-56830	PLATE, CUP	20	A175-000400	STAND	14	P003-005860	SCREW	12
610434-50031	BOLT 8* 8	20	A202-000330	BELLOWS, INTAKE	10	P003-005870	SPRING	12
699229-56830	PLATE, COVER	20	A206-000060	HOLDER, BELLOWS	10	P003-005880	NEEDLE	12
890152-04930	LABEL, CAUTION	22	A209-001080	PLATE, INSULATOR	10	P003-005890	CLIP	12
890332-52730	LABEL, CHOKE	10	A209-001090	PLATE, INSULATOR	10	P003-005900	PLATE	12
890617-43130	LABEL,CAUTION	22	A226-002030	ELEMENT, AIR FILTER	10	P003-006120	BODY ASSEMBLY, PUMP	12
895415-66630	WRENCH, SPCKET	26	A226-002040	ELEMENT, AIR FILTER	10	P003-006130	VALVE, THROTTLE	12
900220-04006	SCREW	20	A227-000050	PLATE, ELEMENT	10	P003-006500	COVER, FUEL PUMP	12
900330-40080	ROLLER	8	A244-000370	PLATE,PREVENT	10	P021-012211	CAP,FUEL ASY	14
900500-00005	NUT	22	A313-002080	GUIDE, EXHAUST	16	P021-043981	SHIELD ASY, BLADE	20
900500-00005	NUT	24						

NUMERICAL PARTS INDEX

Part No	Part description	Page	Part No	Part description	Page
P021-050880	CLEANER CASE ASY	10	V470-002361	PIPE	14
P021-050970	FRONT HANDLE ASY	22	V471-001201	PIPE	14
P021-050990	HANDLE FIXTURE ASY	24	V471-003321	PIPE	14
P022-002100	E-RING	18	V475-007550	TUBE	6
P022-008450	SPRING,DAMPER	18	V475-009310	TUBE	24
P022-008460	PLATE, CAM	18	V485-003050	LEAD	6
P022-008470	DRUM	18	V485-003060	LEAD	2
P022-008480	PAWL, STARTER	18	V490-001230	CLIP	14
P022-022010	NUT	18	V490-001240	CLIP	14
P022-045770	GUIDE, ROPE	18	V495-001010	BAND	22
P022-050890	STARTER,RECOIL	18	V804-000020	BOLT, TORX 4	22
P022-050900	ROPE	18	V804-000030	BOLT, TORX 4	16
P022-050910	GRIP, STARTER	18	V805-000000	BOLT, TORX 5	10
P100-004840	CASE,GEAR ASY	20	V805-000050	BOLT, TORX 5	22
P100-005250	PISTON KIT	2	V805-000060	BOLT, TORX 5	24
P100-005260	CRANKCASE SET	4	V805-000130	BOLT, TORX 5	20
P100-005270	CLUTCH SHOE SET	8	V805-000140	BOLT, TORX 5	2
P100-005280	FAN COVER ASY	8	V805-000140	BOLT, TORX 5	8
P100-005291	CLEANER COVER ASY	10	V805-000140	BOLT, TORX 5	22
P100-005300	MUFFLER ASY	16	V805-000150	BOLT, TORX 5	10
P100-005430	MAIN PIPE ASY	22	V805-000150	BOLT, TORX 5	18
P100-007470	HOOK ASY	22	V805-000150	BOLT, TORX 5	20
P100-007480	THROTTLE ASY	24	V805-000160	BOLT, TORX 5	8
P100-008860	SAW BLADE SHIELD	26	V805-000160	BOLT, TORX 5	14
P100-010520	SHIELD ASY	20	V805-000170	BOLT, TORX 5	8
V000-000260	GEAR SET, BEVEL	20	V805-000170	BOLT, TORX 5	20
V100-000870	GASKET,CYL	2	V805-000170	BOLT, TORX 5	24
V102-000310	GASKET,CRANKCASE	4	V805-000210	BOLT, TORX 5	2
V103-001900	GASKET,INTAKE	10	V805-000210	BOLT, TORX 5	16
V103-002010	GASKET,INTAKE	10	V805-000220	BOLT, TORX 5	4
V104-002380	GASKET,EXHAUST	16	V805-000230	BOLT, TORX 5	14
V104-002390	GASKET,EXHAUST	16	V805-000260	BOLT, TORX 5	20
V107-000190	GASKET,FUEL CAP	14	V805-000300	BOLT, TORX 5	16
V151-000170	PLATE,CUP	6	V805-000340	BOLT, TORX 5	10
V186-000500	JOINT,PIPE	14	V805-000410	BOLT, TORX 5	26
V299-000640	KNOB,FASTENER	10	V806-000020	BOLT, TORX 6	20
V323-000130	WASHER,CIRCULAR 5	6	V835-000010	BOLT, TORX 5	2
V340-000180	WASHER	20	V835-000010	BOLT, TORX 5	16
V340-000210	WASHER	10	V835-000030	BOLT, TORX 5	6
V363-000320	COLLAR,24	22	X503-015870	LABEL,MODEL	2
V420-000960	CUSHION	24	X524-001901	LABEL	2
V420-000970	CUSHION	8	X530-000560	LABEL,EYE CATCHER	20
V430-004940	CABLE,BOWDEN	24	X547-003730	LABEL,ECHO	18
V452-000120	SPRING,TORSION	24	X605-000170	TOOL,L WRENCH	26
V452-001310	SPRING,TORSION	20	X606-000080	TOOL,BAR	26