

SRM-3155(SI),3605(SI

Serial number: 00000000-99999999

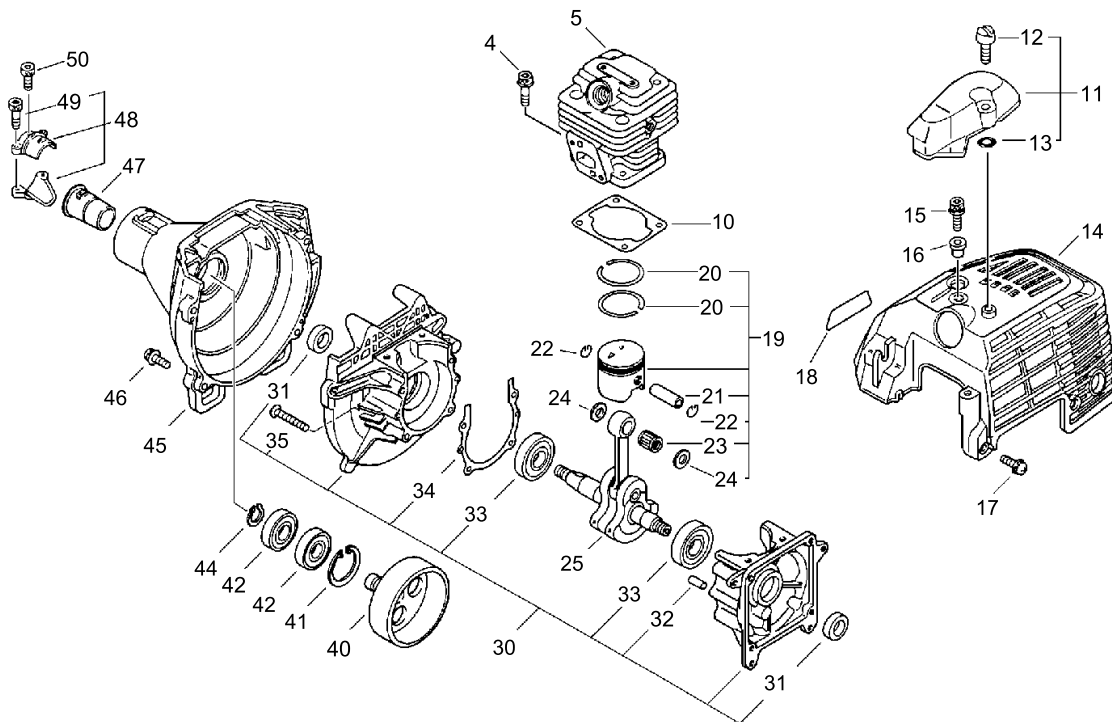
Last update date: 01/28/2020

TABLE OF CONTENTS

Cylinder, Crankcase, Piston, Fan Cover	1
Magneto, Clutch.....	5
Starter(SRM-3155/3605).....	7
Starter(SRM-3155SI/3605SI).....	9
Air Cleaner, Muffler	11
Fuel Tank.....	13
Shield(Sr/Nr 029420(SRM-3155)/D.S. Sr/Nr 023799(SRM-3605) and before).....	15
GEAR CASE, SHIELD.....	17

Cylinder, Crankcase, Piston, Fan Cover

No.1

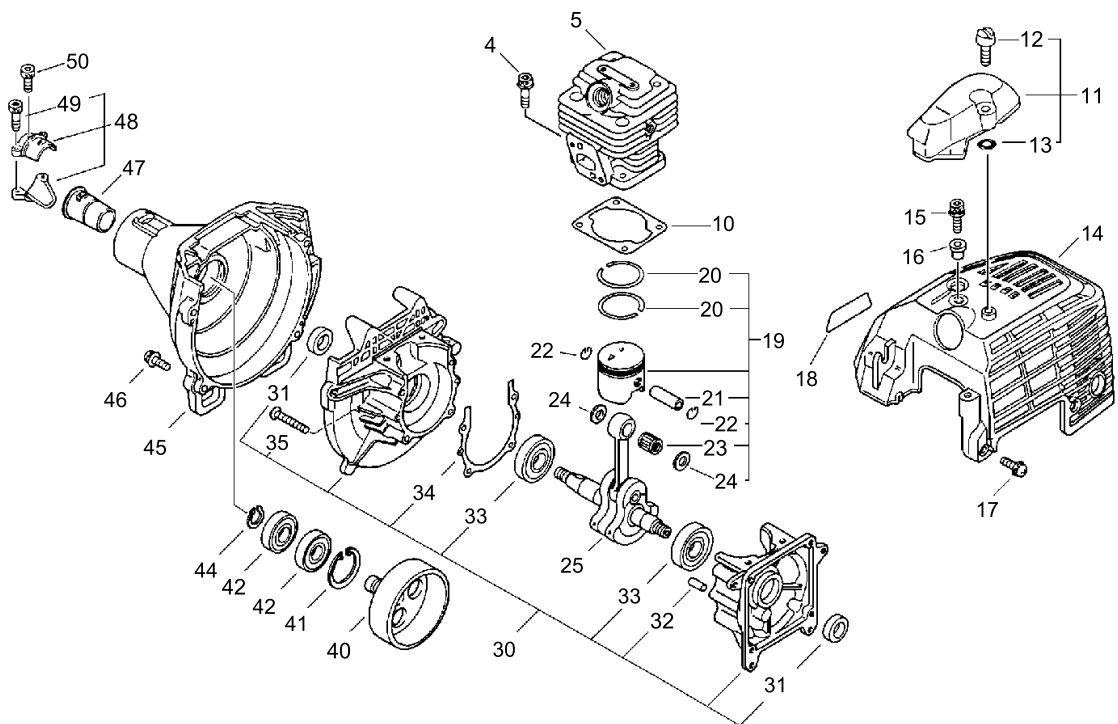


Cylinder, Crankcase, Piston, Fan Cover

Key No.	LV (+)	Part No	Description	Qty	Standard
4		900162-05020	BOLT, H.S. 5*20	4	5*20 W,SW
5		101034-55630	CYLINDER	1	
5		101034-55830	CYLINDER	1	
5		A310-000600	CYLINDER	1	
5		A310-000601	CYLINDER	1	
10		101010-55430	GASKET, CYL. BASE	1	
11		159902-55230	GUARD KIT, TOP	1	
12	+	352325-55230	KNOB, FASTENER	1	
13	+	900720-00004	O RING	1	P-4
14		101514-55630	COVER, CYLINDER	1	
15		900162-05020	BOLT, H.S. 5*20	1	5*20 W,SW
16		101531-55230	COLLAR	1	
17		900162-05012	BOLT, H.S. 5*12	2	5*12 W,SW
18		890112-56930	LABEL, MODEL	1	
18		X503-003240	LABEL, MODEL	1	SRM-3155SI
18		890611-55830	LABEL, MODEL	1	
18		X503-003210	LABEL, MODEL	1	SRM-3605S
19		100000-55430	PISTON KIT	1	
19		100000-55431	PISTON KIT	1	
19		100000-55830	PISTON KIT	1	
19		100000-55831	PISTON KIT	1	
19		100000-55832	PISTON KIT	1	
19		P021-007410	PISTON KIT	1	
20	+	100011-16131	RING, PISTON	2	
20	+	100011-42230	RING, PISTON	2	
21	+	100013-27430	PIN, PISTON	1	
22	+	100015-03930	CIRCLIP, PISTON PIN	2	
22	+	100015-03931	CIRCLIP, PISTON PIN	2	
23	+	100012-16131	BEARING, NEEDLE	1	
24	+	100014-53630	SPACER, PISTON PIN	2	
25		100100-55430	CRANKSHAFT ASSY	1	
30		100204-55430	CRANKCASE KIT	1	
31	+	100213-05530	OILSEAL	2	ISCD 12 22 7
32	+	100215-03930	PIN, DOWEL	4	
33	+	900810-36201	BEARING, BALL 6201	2	6201/C3
33	+	94035-36201	BEARING BALL	2	6201X3JR2C3
34	+	100242-55430	GASKET, CRANKCASE	1	
35	+	900162-05030	BOLT, H.S. 5*30	4	5*30 W,SW
40		175005-49930	DRUM, CLUTCH	1	
41		900702-00028	CIRCLIP 28	1	CR-28
42		900807-06001	BEARING, BALL 6001	2	6001V(LB)
44		900701-00012	CIRCLIP 12	1	CS-12
45		101511-55630	COVER, FAN	1	
46		900162-05020	BOLT, H.S. 5*20	4	5*20 W,SW
47		610910-55630	CUSHION	1	
47		610910-51830	CUSHION	1	

Cylinder, Crankcase, Piston, Fan Cover

No.1

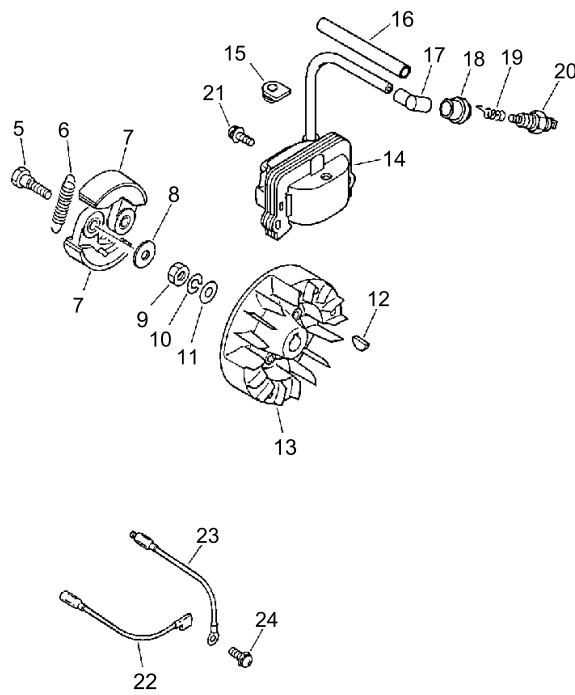


Cylinder, Crankcase, Piston, Fan Cover

Key No.	LV (+)	Part No	Description	Qty	Standard
48		610903-55630	HOLDER KIT	1	
49	+	900162-05025	BOLT, H.S. 5*25	2	5*25 W,SW
50		900162-05012	BOLT, H.S. 5*12	1	5*12 W,SW

Magneto, Clutch

No.2

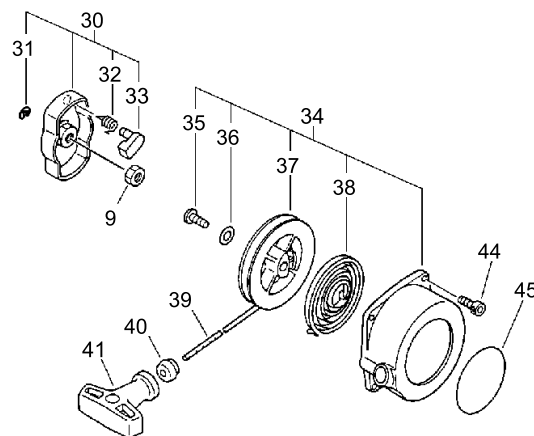


Magneto, Clutch

Key No.	LV (+)	Part No	Description	Qty	Standard
5		175046-46430	BOLT, CLUTCH	2	
6		175018-27931	SPRING, CLUTCH	1	
6		175018-27932	SPRING, CLUTCH	1	
6		175018-49931	SPRING, CLUTCH	1	
6		175018-49932	SPRING, CLUTCH	1	
7		175009-46431	SHOE, CLUTCH	2	
7		A553-000000	ARM,CLUTCH	2	
8		175048-05530	WASHER (I)	2	6.2*19*1.0
9		900502-00008	NUT 8 (3N)	1	3N8
10		900605-00008	WASHER, SPRING 8	1	8
11		900600-00008	WASHER	1	8
12		100142-12330	KEY, WOODRUFF	1	
13		152801-55430	ROTOR, MAGNET	1	
14		152626-55430	COIL, IGNITION	1	
15		150112-44330	BUSHING	1	
16		150611-14530	TUBE 6*7*110	1	6*7*110
17		159012-01620	CAP, SPARK PLUG	1	
18		159015-55230	COVER, PLUG CAP	1	
19		159011-03432	COIL, SPARK PLUG	1	
20		159010-10230	PLUG, SPARK (BPMR-7A	1	BPMR-7A
21		900162-05020	BOLT, H.S. 5*20	2	5*20 W,SW
22		162010-55630	LEAD, GROUND	1	170L
23		162014-52930	LEAD, GROUND	1	
24		900238-05010	SCREW 5*10	1	5*10

Starter(SRM-3155/3605)

No.3

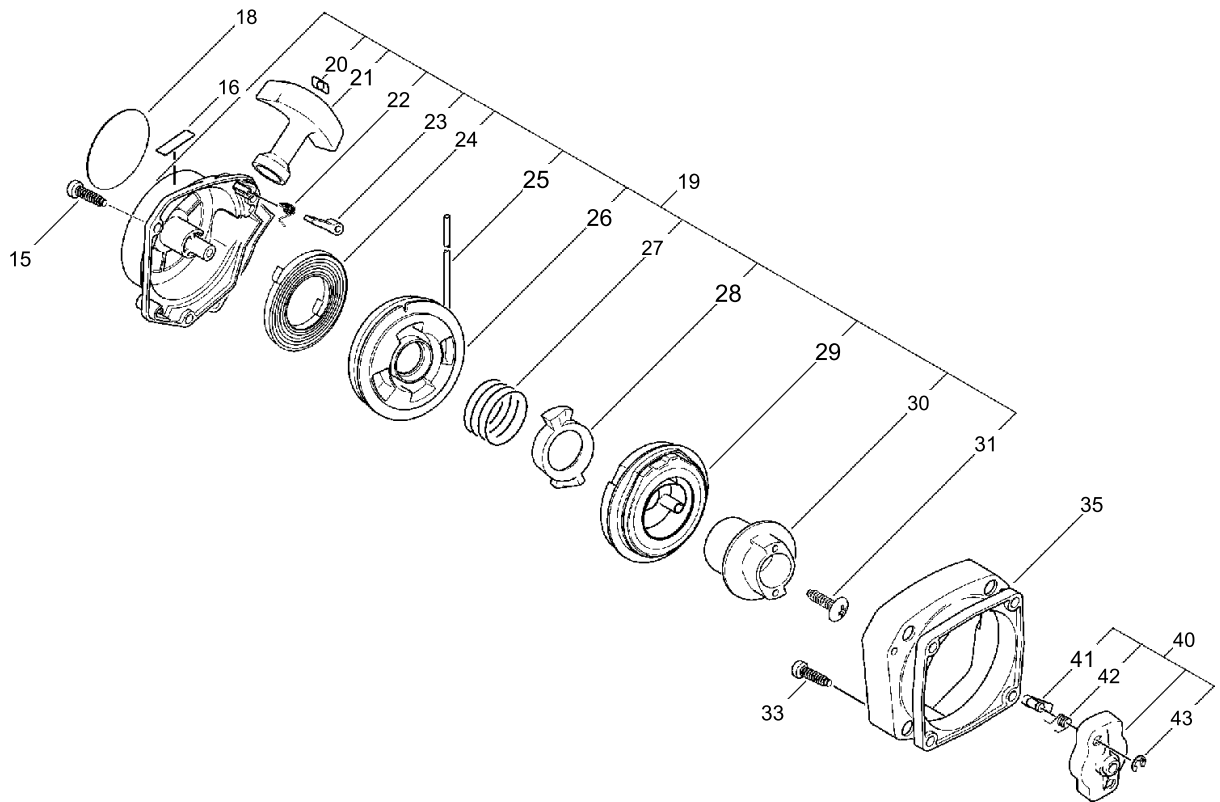


Starter(SRM-3155/3605)

Key No.	LV (+)	Part No	Description	Qty	Standard
9		900502-00008	NUT 8 (3N)	1	3N8
30		177202-41030	PAWL ASSY, STARTER	1	
31	+	900700-00004	E-RING 4	1	CE-4
32	+	177234-40630	SPRING, RETURN	1	
33	+	177218-40630	PAWL, STARTER	1	WHITE
34		177200-55630	STARTER ASSY	1	
34		177200-55631	STARTER ASSY	1	
35	+	177236-40630	SCREW	1	
36	+	177214-41030	WASHER	1	
37	+	177215-43130	DRUM, STARTER	1	
38	+	177220-40630	SPRING, REWIND	1	
39	+	177226-01110	ROPE, STARTER	1	4.0*880
40	+	177227-42030	GUIDE, ROPE	1	
41	+	177228-11120	GRIP, STARTER	1	
41	+	177228-27030	GRIP, STARTER	1	
44		900162-04014	BOLT, H.S. 4*14	4	4*14 W,SW
45		890118-49330	LABEL, ECHO	1	

Starter(SRM-3155SI/3605SI)

No.4

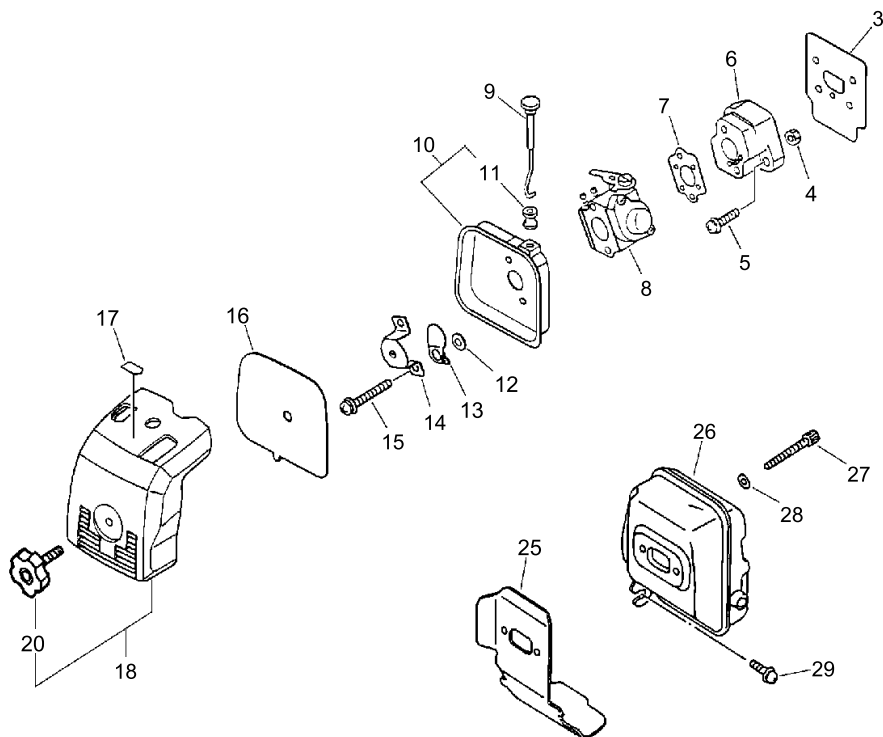


Starter(SRM-3155SI/3605SI)

Key No.	LV (+)	Part No	Description	Qty	Standard
15		900253-05020	SCREW 5*20	3	5*20
16		X505-000620	LABEL,CAUTION	1	
18		X502-000031	LABEL,ECHO	1	
18		X502-000032	LABEL,ECHO	1	
19		A051-000310	STARTER,RECOIL	1	
20	+	177246-11120	CLIP, STARTER ROPE	1	
21	+	177228-27030	GRIP, STARTER	1	
22	+	P022-004610	SPRING, RETURN	2	
23	+	P022-004620	PAWL, STARTER	2	
24	+	P022-004680	SPRING, SPIRAL	1	
25	+	P022-004600	ROPE,STARTER	1	3.0*920
26	+	P022-004690	REEL,ROPE	1	
27	+	P022-004660	SPRING, RETURN	1	
28	+	P022-004670	PAWL, STARTER	1	
29	+	P022-004730	COMPLETE,SPRING	1	
30	+	P022-004720	PLATE,CAM	1	
31	+	P022-004630	SCREW	1	
33		900162-04014	BOLT, H.S. 4*14	4	4*14 W,SW
35		V376-000280	SPACER	1	
40		A052-000100	PULLEY,ASM STARTER	1	
41	+	177218-40630	PAWL, STARTER	2	WHITE
42	+	177234-40630	SPRING, RETURN	2	
43	+	P022-002100	E-RING	2	4

Air Cleaner, Muffler

No.5

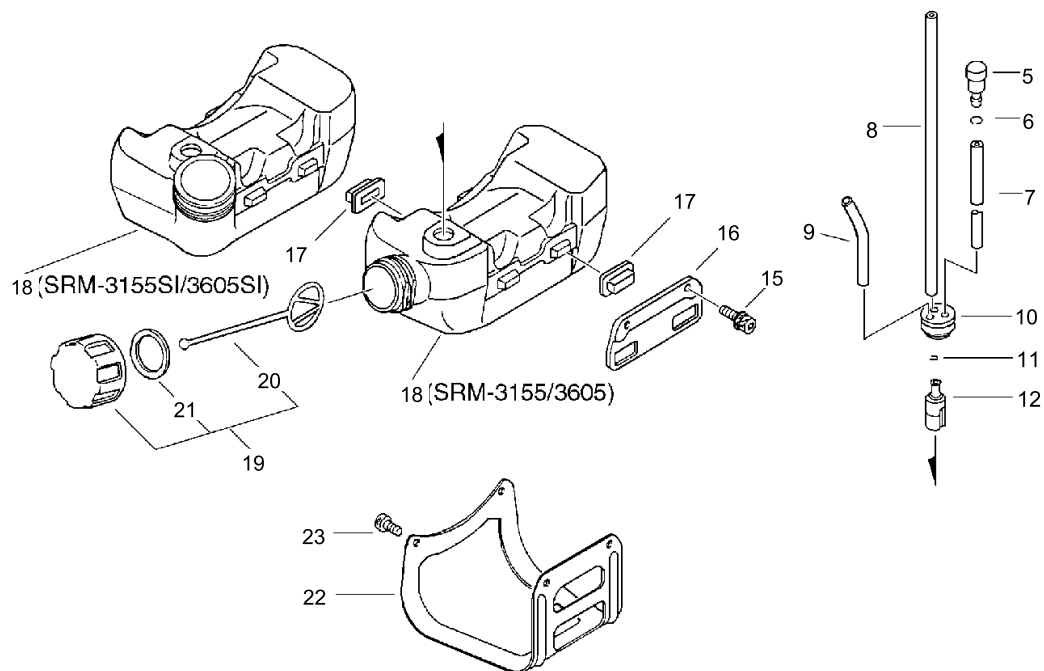


Air Cleaner, Muffler

Key No.	LV (+)	Part No	Description	Qty	Standard
3		130016-55430	GASKET, INTAKE	1	
4		900500-00005	NUT 5	2	5
5		900162-05025	BOLT, H.S. 5*25	2	5*25 W,SW
6		130017-55630	INSULATOR	1	
7		130010-05960	GASKET, INTAKE	1	
8		123000-55630	CARBURETOR WT-344	1	WT-344
9		178510-51730	ROD, CHOKE	1	
10		130301-51730	CASE, AIR CLEANER	1	
11	+	178810-05230	GROMMET	1	
12		178516-00830	SPACER	1	5.2*8*0.8T
13		178515-05060	SHUTTER, CHOKE	1	
14		129011-52130	PLATE	1	
14		129011-52131	PLATE	1	
15		900162-05057	BOLT, H.S. 5*57	2	5*57 W,SW
16		130310-51730	FILTER, AIR	1	
17		890121-47530	LABEL, CHOKE	1	
18		130302-52130	COVER ASSY, AIR CLN.	1	
18		130302-52131	COVER ASY, A.CLEANER	1	
20	+	130406-52130	KNOB, FASTENER	1	
20	+	130406-52131	KNOB, FASTENER	1	
25		145510-55430	GASKET, MUFFLER	1	
26		145610-55230	MUFFLER	1	
27		900105-05060	BOLT, H.S. 5*60	2	5*60
28		900600-00005	WASHER 5	2	5
29		900162-05012	BOLT, H.S. 5*12	1	5*12 W,SW

Fuel Tank

No.6

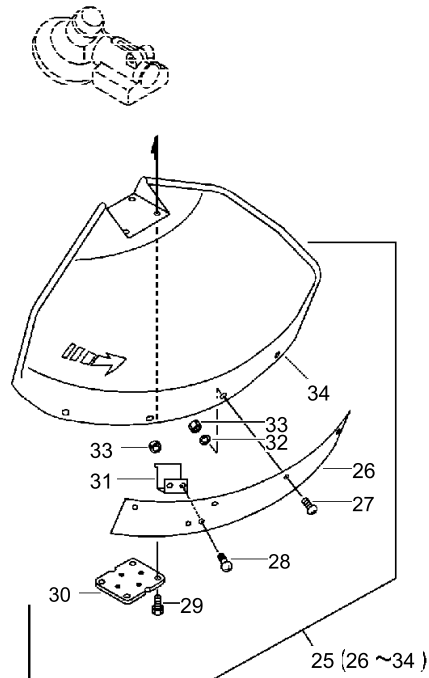


Fuel Tank

Key No.	LV (+)	Part No	Description	Qty	Standard
5		131300-56430	VALVE, CHECK	1	
6		130111-00530	CLIP	1	5.5
7		437210-11131	PIPE 3*5*90 NBR	1	3*5*90 NBR
7		V471-001210	PIPE	1	3*5*90 NBR
8		132010-13930	PIPE, FUEL	1	3*5*180L NBR
8		V471-001190	PIPE	1	3*5*180 NBR
9		132010-56330	PIPE 3*6*90	1	3*6*90 YL
10		132115-46730	GROMMET, FUEL	1	
11		132013-09820	CLIP	1	6MM
12		131205-14930	STRAINER,FUEL	1	
15		900162-05020	BOLT, H.S. 5*20	2	5*20 W,SW
16		131910-55430	BRACKET, FUEL TANK	1	
17		131920-55430	CUSHION, FUEL TANK	4	
18		131010-55430	TANK, FUEL	1	
18		131010-58130	TANK, FUEL	1	
18		131010-64930	TANK, FUEL	1	
18		A350-000170	TANK,FUEL	1	
18		A350-000171	TANK,FUEL	1	
19		131004-55530	CAP ASSY, FUEL TANK	1	
20	+	131051-56030	CLIP, FUEL CAP	1	100L
21	+	131016-55830	GASKET, FUEL CAP	1	
22		305110-55630	STAND	1	
23		900162-05012	BOLT, H.S. 5*12	2	5*12 W,SW

Shield(Sr/Nr 029420(SRM-3155)/D.S. Sr/Nr 023799(SRM-3605) and before)

No.7



Shield(Sr/Nr 029420(SRM-3155)/D.S. Sr/Nr 023799(SRM-3605) and before)

Key No.	LV (+)	Part No	Description	Qty	Standard
25		699000-52930	SHIELD ASSY	1	
25		699000-52931	SHIELD ASY	1	
25		699000-52931	SHIELD ASY	1	
26	+	699013-52130	PLATE, SHIELD	1	
26	+	699013-52130	PLATE, SHIELD	1	
27	+	900162-05018	BOLT, H.S. 5*18	4	5*18 W,SW
27	+	900162-05018	BOLT, H.S. 5*18	4	5*18 W,SW
28	+	900162-05014	BOLT, H.S. 5*14	2	5*14 W,SW
28	+	900162-05014	BOLT, H.S. 5*14	2	5*14 W,SW
29	+	900162-05025	BOLT, H.S. 5*25	4	5*25 W,SW
30	+	699013-56830	PLATE, SHIELD	1	
31	+	699016-52130	KNIFE, CORD	1	
31	+	699016-54530	KNIFE	1	
31	+	699016-54530	KNIFE	1	
32	+	900603-00005	WASHER 5	4	5.5*12*0.8
32	+	900603-00005	WASHER 5	4	5.5*12*0.8
33	+	900500-00005	NUT 5	6	5
33	+	900500-00005	NUT 5	6	5
34	+	699010-52930	SHIELD, BLADE	1	
34	+	699010-52931	SHIELD, BLADE	1	
34	+	699010-52931	SHIELD, BLADE	1	

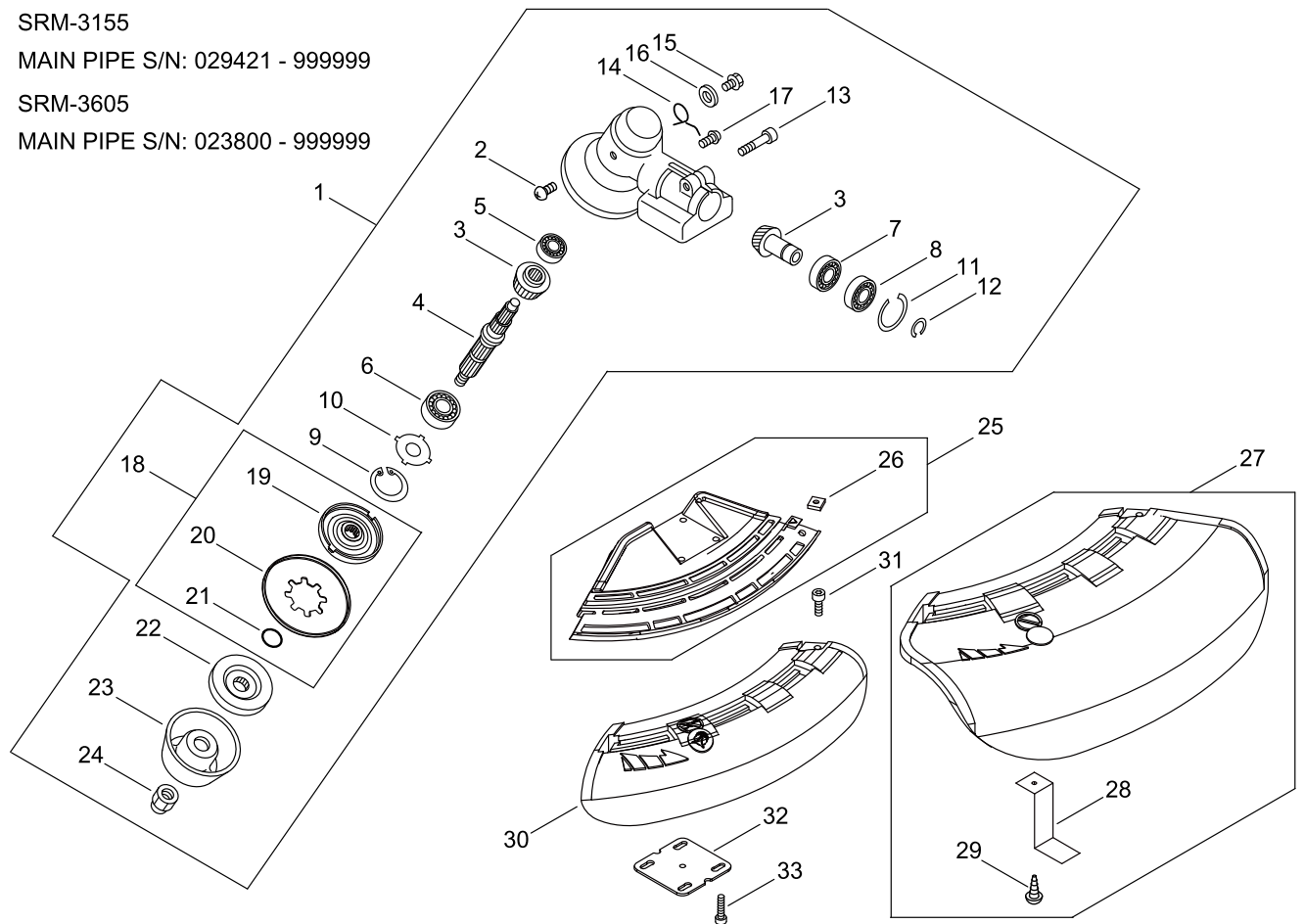
GEAR CASE, SHIELD

SRM-3155

MAIN PIPE S/N: 029421 - 999999

SRM-3605

MAIN PIPE S/N: 023800 - 999999



GEAR CASE, SHIELD

Key No.	LV (+)	Part No	Description	Qty	Standard
1		P021-012593	CASE,GEAR	1	
2	+	900220-04006	SCREW 4*6	1	4*6
3	+	610300-56930	GEAR SET	1	
4	+	610310-56933	SHAFT, P.T.O.	1	12*10*1
5	+	900810-00629	BEARING, BALL 629	1	629
6	+	900812-06201	BEARING, BALL 6201	1	6201DDU(LLU)
7	+	900800-06001	BEARING, BALL 6001	1	6001
8	+	900803-06001	BEARING, BALL 6001	1	6001Z
9	+	900702-00032	CIRCLIP 32	1	CR-32
10	+	610444-56830	WASHER	1	
11	+	900702-00028	CIRCLIP 28	1	CR-28
12	+	900701-00012	CIRCLIP 12	1	CS-12
13	+	91118-06030	BOLT	1	CM-6*30
14	+	V452-001310	SPRING,TORSION	1	
15	+	610434-50031	BOLT 8* 8	1	M8*8
16	+	900603-50008	WASHER	1	8.5*18*0.8T
17	+	900242-05010	SCREW 5*10	1	5*10
18	+	610313-52932	FIXTURE,BLADE	1	
19	++	610313-52132	FIXTURE,BLADE	1	
20	++	610352-56830	PLATE, CUP	1	
21	++	900720-00012	O-RING 12	1	P-12
22	+	610314-52130	PLATE, ADAPTER (L)	1	
23	+	699229-56830	PLATE, COVER	1	
24	+	610320-52130	NUT 10	1	
25		C550-000102	SHIELD,BLADE	1	
26	+	900565-00005	NUT	1	5
27		P021-002622	SHIELD,BLADE(W/KNIFE	1	
28	+	C554-000001	KNIFE,CORD	1	
29	+	900252-05012	SCREW 5*12	1	5*12
30		C550-000092	SHIELD,BLADE	1	
31		91118-05022	BOLT	1	CM-5*22
32		C552-000200	PLATE, SHIELD	1	
33		V203-001980	BOLT,5	4	

NUMERICAL PARTS INDEX

Part No	Part description	Page	Part No	Part description	Page	Part No	Part description	Page
10000-55430	PISTON KIT	2	131910-55430	BRACKET, FUEL TANK	14	178515-05060	SHUTTER, CHOKE	12
10000-55431	PISTON KIT	2	131920-55430	CUSHION, FUEL TANK	14	178516-00830	SPACER	12
10000-55830	PISTON KIT	2	132010-13930	PIPE, FUEL	14	178810-05230	GROMMET	12
10000-55831	PISTON KIT	2	132010-56330	PIPE 3*6*90	14	305110-55630	STAND	14
10000-55832	PISTON KIT	2	132013-09820	CLIP	14	352325-55230	KNOB, FASTENER	2
100011-16131	RING, PISTON	2	132115-46730	GROMMET, FUEL	14	437210-11131	PIPE 3*5*90 NBR	14
100011-42230	RING, PISTON	2	145510-55430	GASKET, MUFFLER	12	610300-56930	GEAR SET	18
100012-16131	BEARING, NEEDLE	2	145610-55230	MUFFLER	12	610310-56933	SHAFT, P.T.O.	18
100013-27430	PIN, PISTON	2	150112-44330	BUSHING	6	610313-52132	FIXTURE, BLADE	18
100014-53630	SPACER, PISTON PIN	2	150611-14530	TUBE 6*7*110	6	610313-52932	FIXTURE, BLADE	18
100015-03930	CIRCLIP, PISTON PIN	2	152626-55430	COIL, IGNITION	6	610314-52130	PLATE, ADAPTER (L)	18
100015-03931	CIRCLIP, PISTON PIN	2	152801-55430	ROTOR, MAGNET	6	610320-52130	NUT 10	18
100100-55430	CRANKSHAFT ASSY	2	159010-10230	PLUG, SPARK (BPMR-7A	6	610352-56830	PLATE, CUP	18
100142-12330	KEY, WOODRUFF	6	159011-03432	COIL, SPARK PLUG	6	610434-50031	BOLT 8* 8	18
100204-55430	CRANKCASE KIT	2	159012-01620	CAP, SPARK PLUG	6	610444-56830	WASHER	18
100213-05530	OILSEAL	2	159015-55230	COVER, PLUG CAP	6	610903-55630	HOLDER KIT	4
100215-03930	PIN, DOWEL	2	159902-55230	GUARD KIT, TOP	2	610910-51830	CUSHION	2
100242-55430	GASKET, CRANKCASE	2	162010-55630	LEAD, GROUND	6	610910-55630	CUSHION	2
101010-55430	GASKET, CYL. BASE	2	162014-52930	LEAD, GROUND	6	699000-52930	SHIELD ASSY	16
101034-55630	CYLINDER	2	175005-49930	DRUM, CLUTCH	2	699000-52931	SHIELD ASY	16
101034-55830	CYLINDER	2	175009-46431	SHOE, CLUTCH	6	699010-52930	SHIELD, BLADE	16
101511-55630	COVER, FAN	2	175018-27931	SPRING, CLUTCH	6	699010-52931	SHIELD, BLADE	16
101514-55630	COVER, CYLINDER	2	175018-27932	SPRING, CLUTCH	6	699013-52130	PLATE, SHIELD	16
101531-55230	COLLAR	2	175018-49931	SPRING, CLUTCH	6	699013-56830	PLATE, SHIELD	16
123000-55630	CARBURETOR WT-344	12	175018-49932	SPRING, CLUTCH	6	699016-52130	KNIFE, CORD	16
129011-52130	PLATE	12	175046-46430	BOLT, CLUTCH	6	699016-54530	KNIFE	16
129011-52131	PLATE	12	175048-05530	WASHER (I)	6	699229-56830	PLATE, COVER	18
130010-05960	GASKET, INTAKE	12	177200-55630	STARTER ASSY	8	890112-56930	LABEL, MODEL	2
130016-55430	GASKET, INTAKE	12	177200-55631	STARTER ASSY	8	890118-49330	LABEL, ECHO	8
130017-55630	INSULATOR	12	177202-41030	PAWL ASSY, STARTER	8	890121-47530	LABEL, CHOKE	12
130111-00530	CLIP	14	177214-41030	WASHER	8	890611-55830	LABEL, MODEL	2
130301-51730	CASE, AIR CLEANER	12	177215-43130	DRUM, STARTER	8	900105-05060	BOLT, H.S. 5*60	12
130302-52130	COVER ASSY, AIR CLN.	12	177218-40630	PAWL, STARTER	8	900162-04014	BOLT, H.S. 4*14	8
130302-52131	COVER ASY, A.CLEANER	12	177218-40630	PAWL, STARTER	10	900162-04014	BOLT, H.S. 4*14	10
130310-51730	FILTER, AIR	12	177220-40630	SPRING, REWIND	8	900162-05012	BOLT, H.S. 5*12	2
130406-52130	KNOB, FASTENER	12	177226-01110	ROPE, STARTER	8	900162-05012	BOLT, H.S. 5*12	4
130406-52131	KNOB, FASTENER	12	177227-42030	GUIDE, ROPE	8	900162-05012	BOLT, H.S. 5*12	12
131004-55530	CAP ASSY, FUEL TANK	14	177228-11120	GRIP, STARTER	8	900162-05012	BOLT, H.S. 5*12	14
131010-55430	TANK, FUEL	14	177228-27030	GRIP, STARTER	8	900162-05014	BOLT, H.S. 5*14	16
131010-58130	TANK, FUEL	14	177228-27030	GRIP, STARTER	10	900162-05018	BOLT, H.S. 5*18	16
131010-64930	TANK, FUEL	14	177234-40630	SPRING, RETURN	8	900162-05020	BOLT, H.S. 5*20	2
131016-55830	GASKET, FUEL CAP	14	177234-40630	SPRING, RETURN	10	900162-05020	BOLT, H.S. 5*20	6
131051-56030	CLIP, FUEL CAP	14	177236-40630	SCREW	8	900162-05020	BOLT, H.S. 5*20	14
131205-14930	STRAINER, FUEL	14	177246-11120	CLIP, STARTER ROPE	10	900162-05025	BOLT, H.S. 5*25	4
131300-56430	VALVE, CHECK	14	178510-51730	ROD, CHOKE	12	900162-05025	BOLT, H.S. 5*25	12

NUMERICAL PARTS INDEX

Part No	Part description	Page	Part No	Part description	Page
900162-05025	BOLT, H.S. 5*25	16	C554-000001	KNIFE,CORD	18
900162-05030	BOLT, H.S. 5*30	2	P021-002622	SHIELD,BLADE(W/KNIFE	18
900162-05057	BOLT, H.S. 5*57	12	P021-007410	PISTON KIT	2
900220-04006	SCREW 4*6	18	P021-012593	CASE,GEAR	18
900238-05010	SCREW 5*10	6	P022-002100	E-RING	10
900242-05010	SCREW 5*10	18	P022-004600	ROPE,STARTER	10
900252-05012	SCREW 5*12	18	P022-004610	SPRING, RETURN	10
900253-05020	SCREW 5*20	10	P022-004620	PAWL, STARTER	10
900500-00005	NUT 5	12	P022-004630	SCREW	10
900500-00005	NUT 5	16	P022-004660	SPRING, RETURN	10
900502-00008	NUT 8 (3N)	6	P022-004670	PAWL, STARTER	10
900502-00008	NUT 8 (3N)	8	P022-004680	SPRING, SPIRAL	10
900565-00005	NUT	18	P022-004690	REEL,ROPE	10
900600-00005	WASHER 5	12	P022-004720	PLATE,CAM	10
900600-00008	WASHER	6	P022-004730	COMPLETE,SPRING	10
900603-00005	WASHER 5	16	V203-001980	BOLT,5	18
900603-50008	WASHER	18	V376-000280	SPACER	10
900605-00008	WASHER, SPRING 8	6	V452-001310	SPRING,TORSION	18
900700-00004	E-RING 4	8	V471-001190	PIPE	14
900701-00012	CIRCLIP 12	2	V471-001210	PIPE	14
900701-00012	CIRCLIP 12	18	X502-000031	LABEL,ECHO	10
900702-00028	CIRCLIP 28	2	X502-000032	LABEL,ECHO	10
900702-00028	CIRCLIP 28	18	X503-003210	LABEL,MODEL	2
900702-00032	CIRCLIP 32	18	X503-003240	LABEL,MODEL	2
900720-00004	O RING	2	X505-000620	LABEL,CAUTION	10
900720-00012	O-RING 12	18			
900800-06001	BEARING, BALL 6001	18			
900803-06001	BEARING, BALL 6001	18			
900807-06001	BEARING, BALL 6001	2			
900810-00629	BEARING, BALL 629	18			
900810-36201	BEARING, BALL 6201	2			
900812-06201	BEARING, BALL 6201	18			
91118-05022	BOLT	18			
91118-06030	BOLT	18			
94035-36201	BEARING BALL	2			
A051-000310	STARTER,RECOIL	10			
A052-000100	PULLEY,ASM STARTER	10			
A310-000600	CYLINDER	2			
A310-000601	CYLINDER	2			
A350-000170	TANK,FUEL	14			
A350-000171	TANK,FUEL	14			
A553-000000	ARM,CLUTCH	6			
C550-000092	SHIELD,BLADE	18			
C550-000102	SHIELD,BLADE	18			
C552-000200	PLATE, SHIELD	18			