



PARTS CATALOG

GRASS-TRIMMER / BRUSHCUTTER

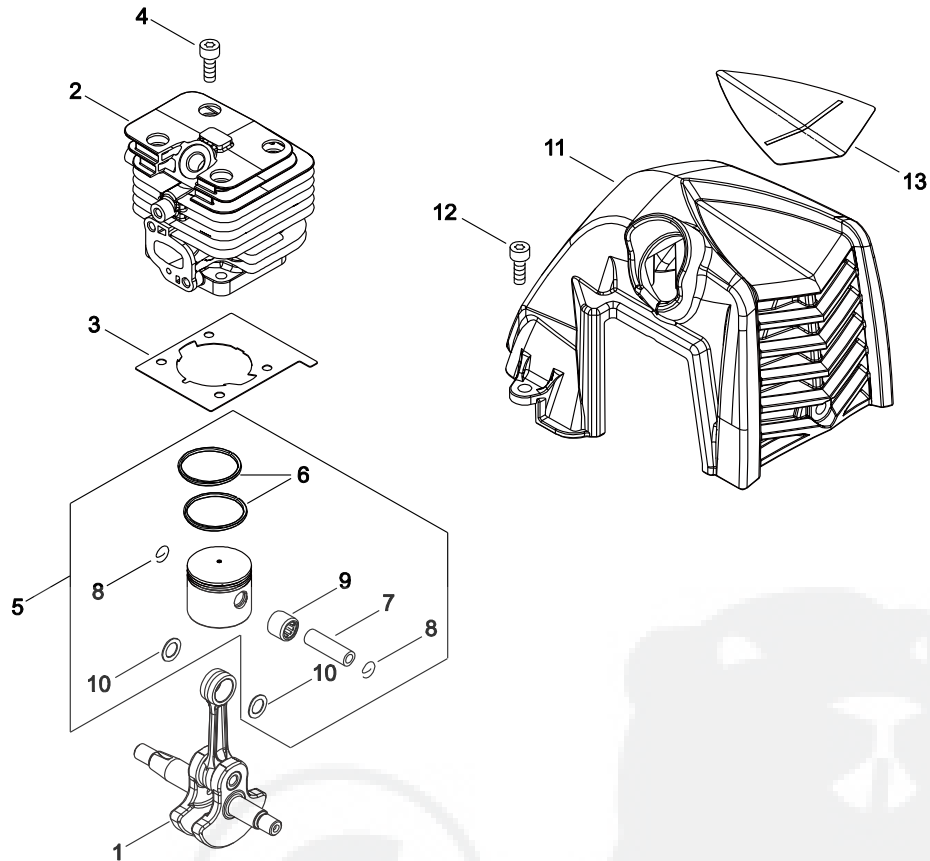
SRM-2620TES/U(37)

37000001 -



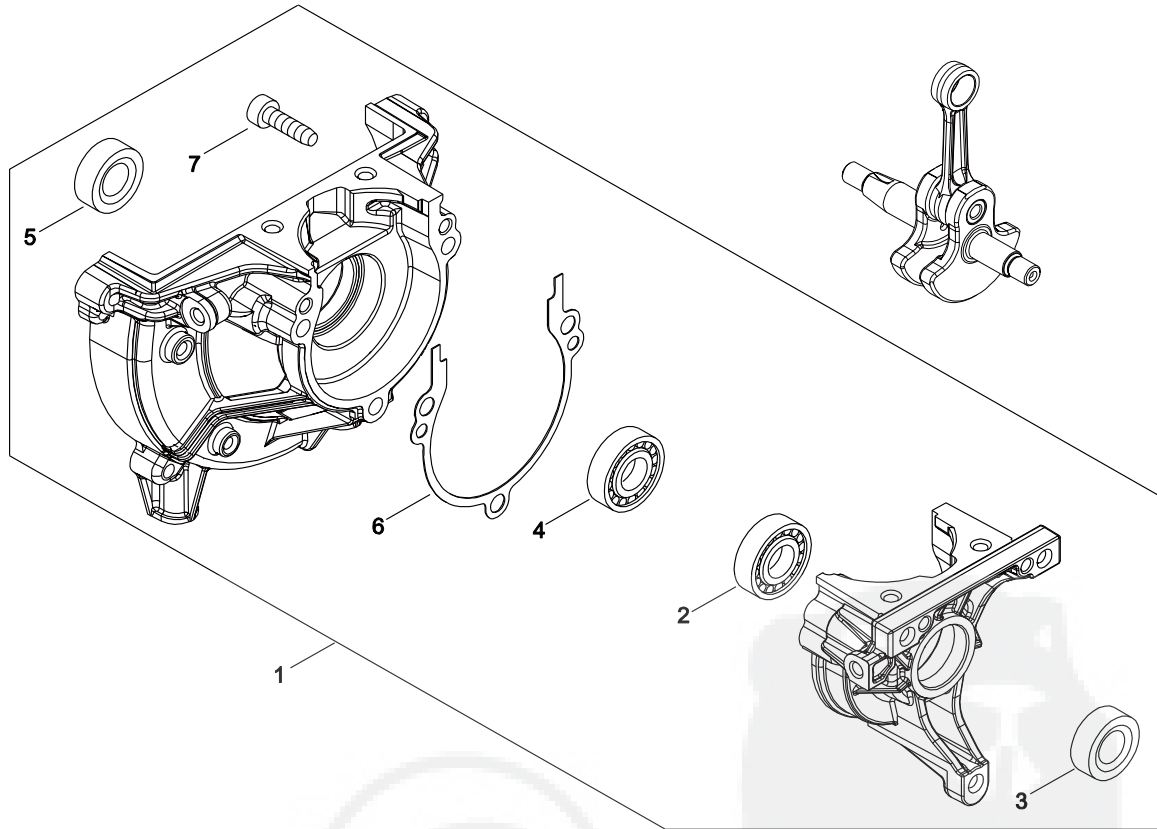
P014-005620-16B

1. CYLINDER, PISTON, CRANKSHAFT



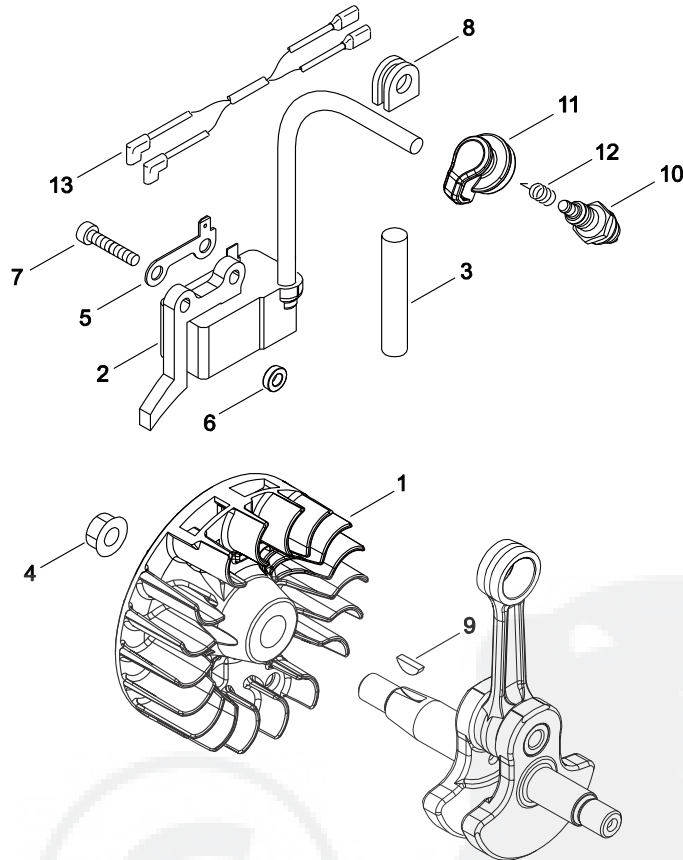
KEY	LV	PART NUMBER	Q'TY	DESCRIPTION	REMARKS	NOTE1	NOTE2
1		A011-001460	1	CRANKSHAFT, ASY			
2		A130-002330	1	CYLINDER			
3		V100-000840	1	GASKET, CYL			
4		V805-000210	4	BOLT, TORX 5	TB-5*20 12.9		
5		P021-050840	1	PISTON KIT			
6	+	A101-000010	2	RING,PISTON			
7	+	100013-35430	1	PIN, PISTON	6*9*27.8		
8	+	100015-03931	2	CIRCLIP, PISTON PIN			
9	+	V554-000020	1	BEARING, NEEDLE 9	KTV-91212EG14-B2		
10	+	100014-53630	2	SPACER, PISTON PIN			
11		A160-003280	1	COVER, CYLINDER			
12		V805-000140	2	BOLT, TORX 5	TB-5*12 10.9		
13		X547-002990	1	LABEL,ECHO			

2. CRANKCASE



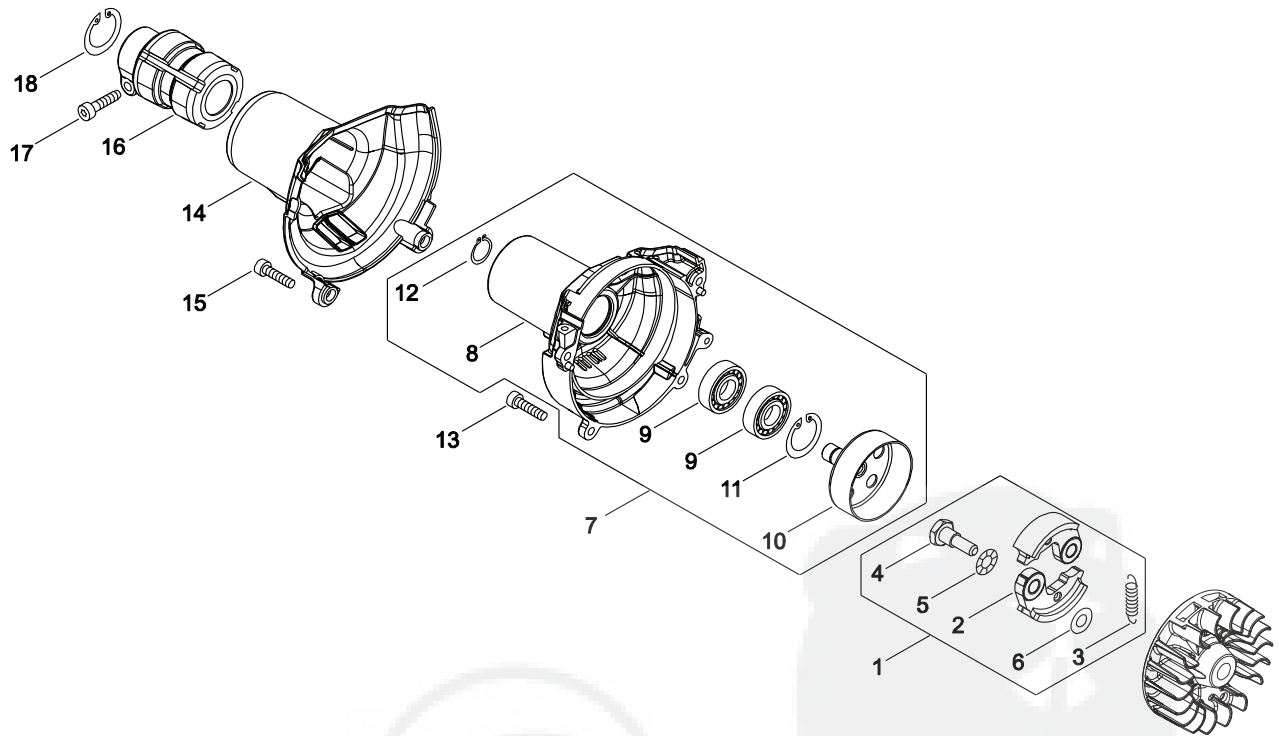
KEY	LV	PART NUMBER	QTY	DESCRIPTION	REMARKS	NOTE1	NOTE2
1		P021-050850	1	CRANKCASE KIT			
2	+	900800-36001	1	BEARING, BALL 6001	6001/C3		
3	+	100212-42031	1	OILSEAL	ISCD 12*22*4.5		
4	+	900810-36000	1	BEARING, BALL			
5	+	V503-000040	1	SEAL, OIL 10	ISCD 10*20*5F		
6	+	V102-000300	1	GASKET, CRANKCASE			
7	+	V805-000220	3	BOLT, TORX 5	TB-5*25 12.9		

3. MAGNETO



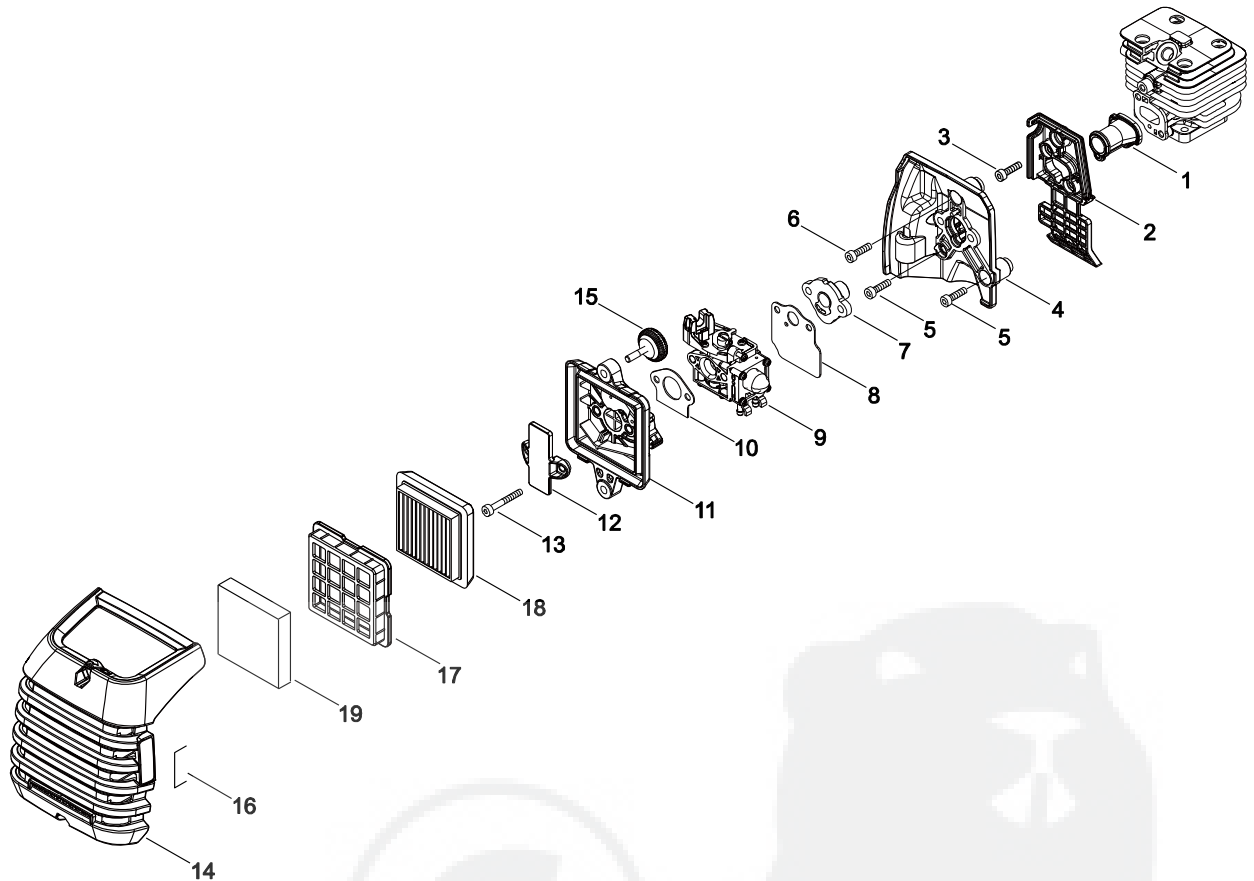
KEY	LV	PART NUMBER	Q'TY	DESCRIPTION	REMARKS	NOTE1	NOTE2
1		A409-001320	1	ROTOR, MAGNETO			
2		A411-001710	1	COIL, IGNITION			
3		V475-007540	1	TUBE			
4		900515-00008	1	NUT, FLANGE 8	8		
5		C152-001030	1	CONNECTOR			
6		V323-000070	2	WASHER, CIRCULAR 5	5.2*10*3		
7		V805-000210	2	BOLT, TORX 5	TB-5*20 12.9		
8		156110-04920	1	BUSHING			
9		100142-12330	1	KEY, WOODRUFF			
10		A425-000060	1	SPARKPLUG	CMR7H		
11		A427-000220	1	CAP, SPARK PLUG			
12		A426-000010	1	TERMINAL, SPARKPLUG			
13		V485-002880	1	LEAD			

4. CLUTCH



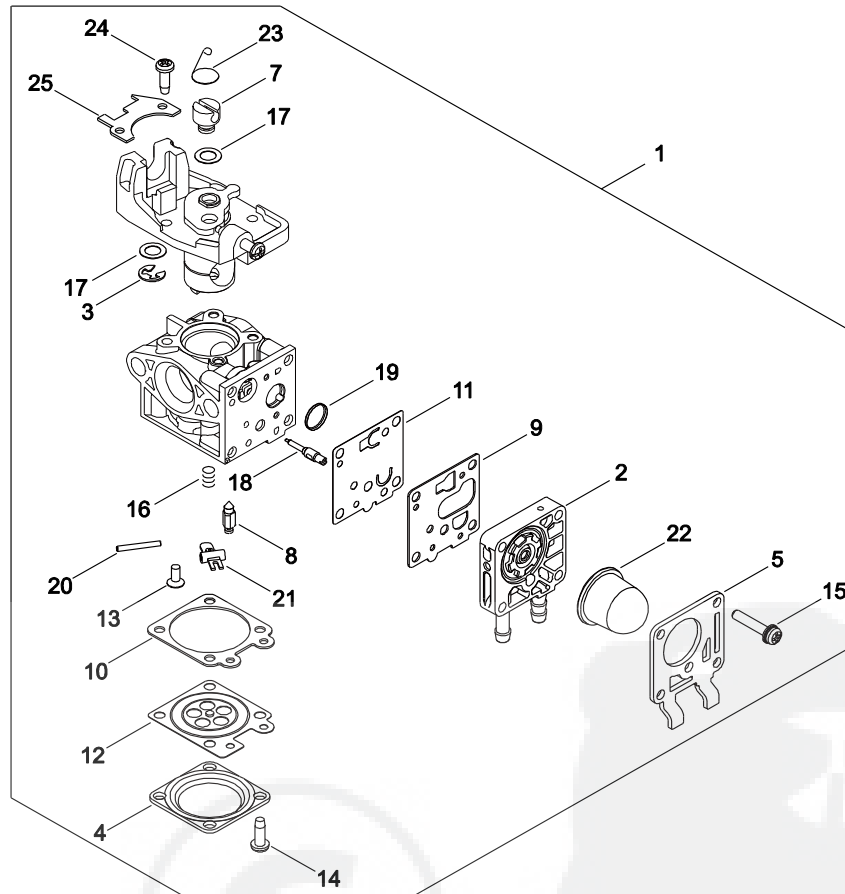
KEY	LV	PART NUMBER	Q'TY	DESCRIPTION	REMARKS	NOTE1	NOTE2
1		P021-050860	1	CLUTCH ASY			
2	+	A553-000190	2	ARM, CLUTCH			
3	+	V451-001390	1	SPRING, TENSION	172N/34MM		
4	+	175046-56030	2	SHAFT, CLUTCH			
5	+	175049-56030	2	WASHER	8.5*16*0.5		
6	+	175048-05530	2	WASHER (I)	6.2*19*1.0		
7		P021-051000	1	FAN COVER ASY			
8	+	A172-003140	1	COVER, FAN			
9	+	900807-06001	2	BEARING, BALL 6001	6001V(LB)		
10	+	A556-001750	1	DRUM, CLUTCH			
11	+	900702-00028	1	CIRCLIP 28	CR-28		
12	+	900701-00012	1	CIRCLIP 12	CS-12		
13		V805-000150	2	BOLT, TORX 5	TB-5*16 10.9		
14		A413-000080	1	BOOT			
15		V805-000160	2	BOLT, TORX 5	TB-5*20 10.9		
16		A575-000690	1	FIXTURE, MAIN PIPE			
17		V805-000170	1	BOLT, TORX 5	TB-5*25 10.9		
18		900702-00042	1	CIRCLIP 42	CR-42		

5. AIR CLEANER, CARBURETOR



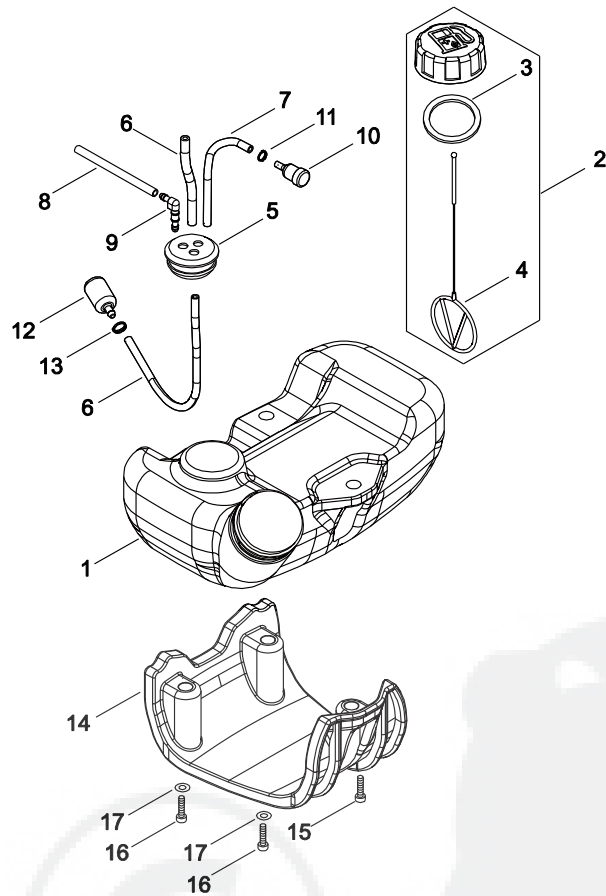
KEY	LV	PART NUMBER	Q'TY	DESCRIPTION	REMARKS	NOTE1	NOTE2
1		A202-000300	1	BELLOWS, INTAKE			
2		A206-000040	1	HOLDER, BELLOWS			
3		V805-000150	2	BOLT, TORX 5	TB-5*16 10.9		
4		A209-001010	1	PLATE, INSULATOR			
5		V805-000150	2	BOLT, TORX 5	TB-5*16 10.9		
6		V855-000000	1	BOLT, TORX 5	TB-5*20		
7		A209-001000	1	PLATE, INSULATOR			
8		V103-001890	1	GASKET, INTAKE			
9		A021-004600	1	CARBURETOR, DIAPHRAGM	WYG-9		
10		V103-001900	1	GASKET, INTAKE			
11		P021-050880	1	CLEANER CASE ASY			
12		A244-000320	1	PLATE, PREVENT			
13		V805-000340	2	BOLT, TORX 5	TB-5*60 10.9		
14		A232-001890	1	LID, CLEANER			
15		V299-000290	2	KNOB,FASTENER	1 KNOB M5X0.8		
16		890332-52730	1	LABEL, CHOKE			
17		A227-000050	1	PLATE, ELEMENT			
18		A226-002030	1	ELEMENT, AIR FILTER			
19		A226-002040	1	ELEMENT, AIR FILTER	HP-70		

6. CARBURETOR



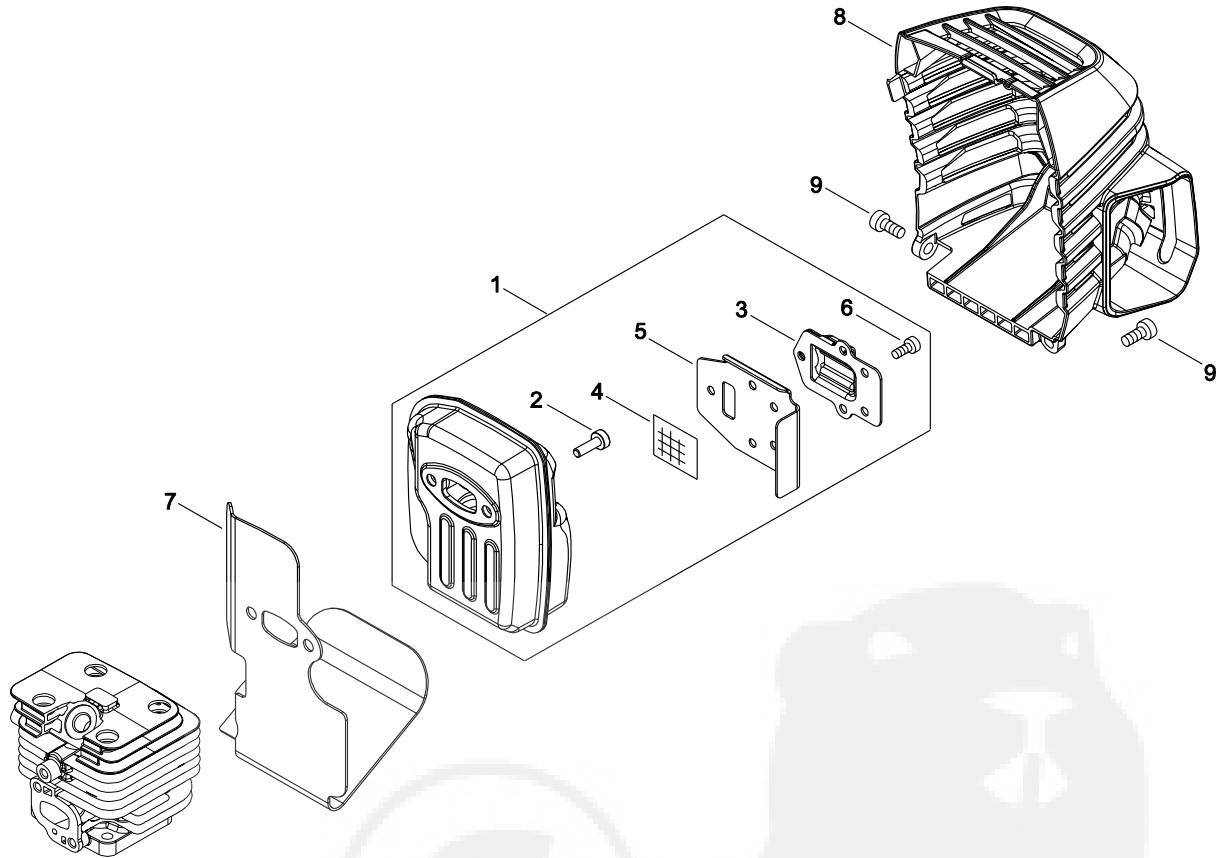
KEY	LV	PART NUMBER	Q'TY	DESCRIPTION	REMARKS	NOTE1	NOTE2
1		A021-004600	1	CARBURETOR, DIAPHRAGM	WYG-9		
2	+	P003-005300	1	BODY ASSEMBLY, PUMP			
3	+	123173-07930	1	CLIP			
4	+	123142-03930	1	COVER, M. DIAPHRAGM			
5	+	P003-004510	1	COVER, FUEL PUMP			
7	+	P003-005850	1	SWIVEL			
8	+	123137-19830	1	VALVE, INLET NEEDLE			
9	+	P003-004530	1	GASKET, FUEL PUMP			
10	+	123140-27230	1	GASKET, M. DIAPHRAGM			
11	+	P003-004540	1	DIAPHRAGM, FUEL PUMP			
12	+	P003-001670	1	DIAPHRAGM, METERING			
13	+	P003-005860	1	SCREW			
14	+	P003-004560	4	SCREW			
15	+	P003-004570	4	SCREW			
16	+	P003-005870	1	SPRING			
17	+	P003-001710	2	WASHER			
18	+	P003-005880	1	NEEDLE			
19	+	123126-10631	1	SCREEN, INLET			
20	+	123138-03930	1	PIN, METERING LEVER			
21	+	P003-001630	1	LEVER, METERING			
22	+	123181-09560	1	PUMP, PRIMER			
23	+	P003-005890	1	CLIP			
24	+	123114-40630	3	SCREW			
25	+	P003-005900	1	PLATE			

7. FUEL TANK



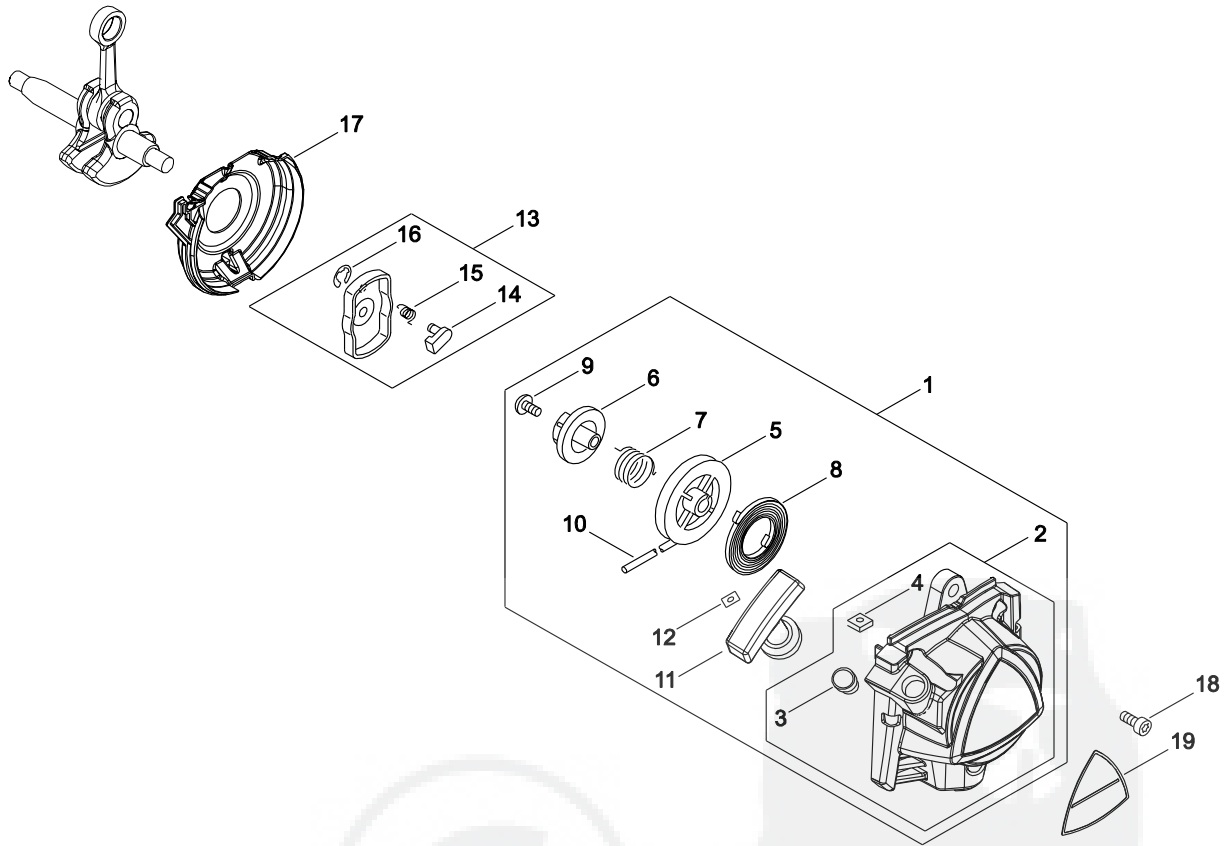
KEY	LV	PART NUMBER	Q'TY	DESCRIPTION	REMARKS	NOTE1	NOTE2
1		A350-002350	1	TANK, FUEL			
2		P021-012210	1	CAP, FUEL ASY			
3	+	131016-55830	1	GASKET, FUEL CAP			
4	+	A365-000060	1	CONNECTOR, CAP	L=123		
5		132115-55930	1	GROMMET, FUEL			
6		V471-001230	1	PIPE	3*5*210 NBR		
7		132010-06530	1	PIPE 3*6* 85	3*6* 85		
8		132012-56030	1	PIPE	3*6*80 YL		
9		V186-000500	1	JOINT, PIPE			
10		131300-56431	1	VENT ASSEMBLY, FUEL			
11		V490-001230	1	CLIP			
12		A369-000470	1	STRAINER, FUEL			
13		V490-001240	1	CLIP			
14		A175-000040	1	STAND			
15		V805-000160	1	BOLT, TORX 5	TB-5*20 10.9		
16		V805-000170	2	BOLT, TORX 5	TB-5*25 10.9		
17		900602-00005	2	WASHER 5	5.3*10*1		

8. MUFFLER



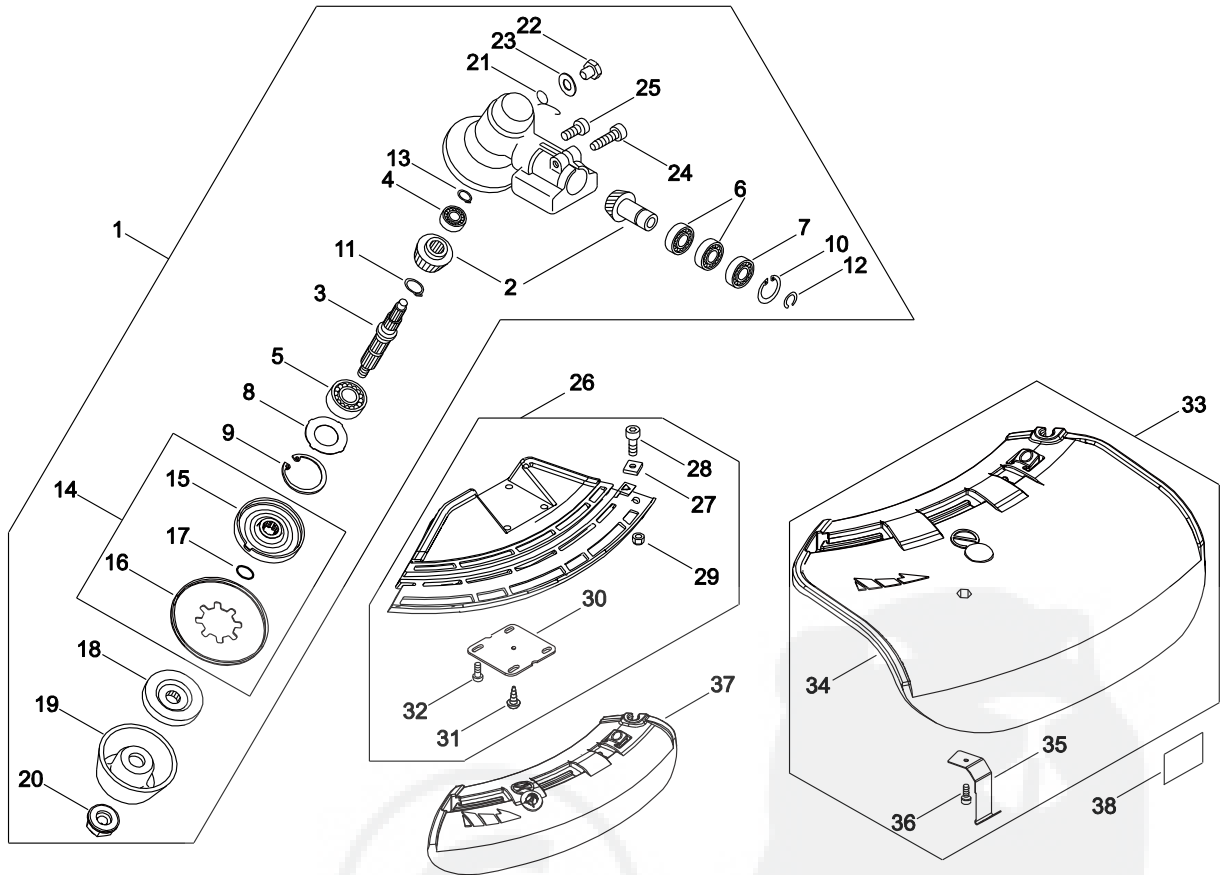
KEY	LV	PART NUMBER	Q'TY	DESCRIPTION	REMARKS	NOTE1	NOTE2
1		P021-050900	1	MUFFLER ASY			
2	+	V805-000250	2	BOLT, TORX 5	TB-5*16 12.9		
3	+	A313-002060	1	GUIDE, EXHAUST			
4	+	145862-40630	1	SCREEN, MUFFLER			
5	+	V104-002300	1	GASKET, EXHAUST			
6	+	V804-000030	5	BOLT, TORX 4	TB-4*8 10.9		
7		V104-002310	1	GASKET, EXHAUST			
8		A320-001200	1	COVER, MUFFLER			
9		V805-000140	2	BOLT, TORX 5	TB-5*12 10.9		

9. RECOIL STARTER, PULLEY



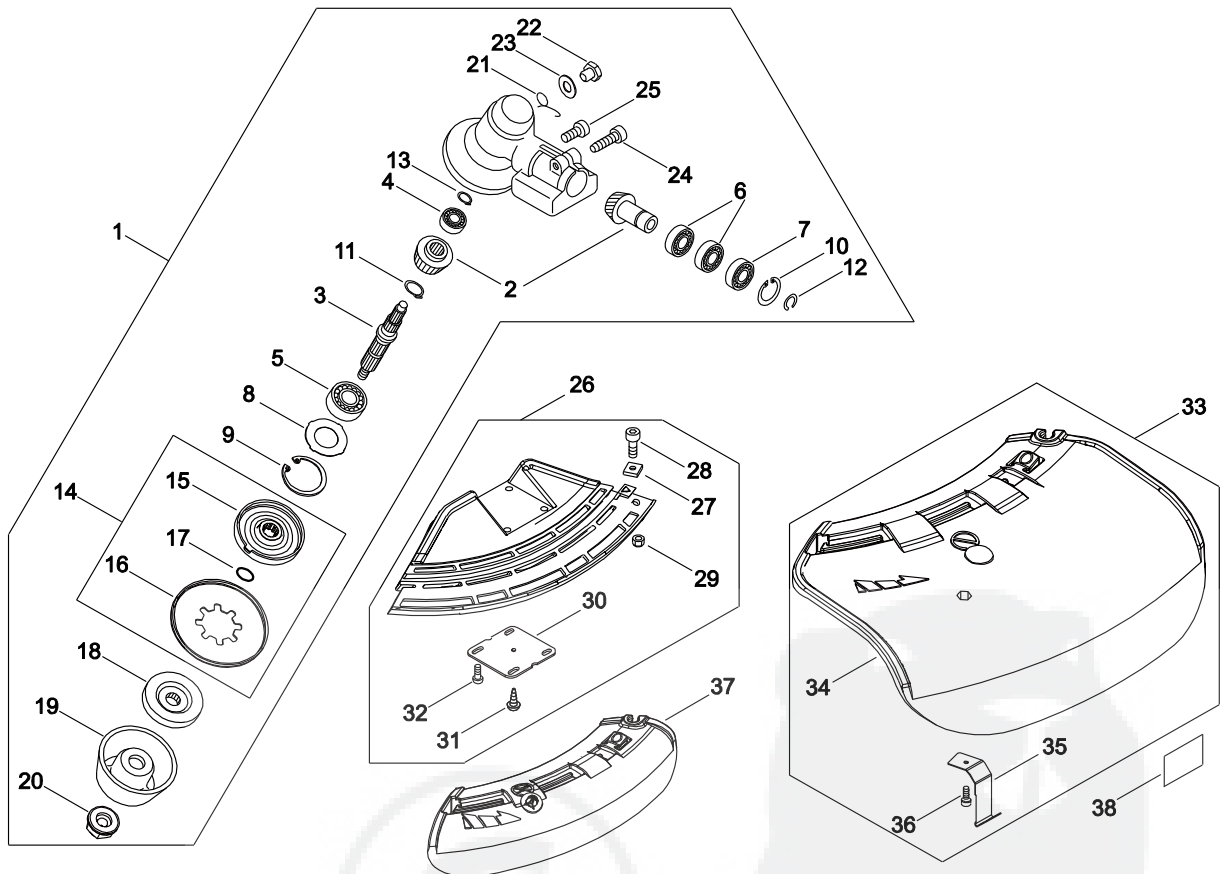
KEY	LV	PART NUMBER	Q'TY	DESCRIPTION	REMARKS	NOTE1	NOTE2
1		A051-003220	1	STARTER, RECOIL ASY			
2	+	P022-043670	1	STATER CASE			
3	++	177227-42030	1	GUIDE, ROPE			
4	++	900565-00005	2	NUT	5		
5	+	P022-033320	1	DRUM, STARTER			
6	+	P022-033310	1	PLATE, CAM			
7	+	P022-008270	1	SPRING,DAMPER			
8	+	177220-40630	1	SPRING, REWIND			
9	+	177236-61830	1	SCREW			
10	+	P022-022110	1	ROPE, STARTER			
11	+	177228-27030	1	GRIP, STARTER			
12	+	P022-037670	1	STOPPER, ROPE			
13		A052-000180	1	PULLEY,ASM STARTER			
14	+	P022-006850	2	PAWL, STARTER			
15	+	P022-006510	2	SPRING, RETURN			
16	+	P022-002100	2	E-RING	4		
17		A127-000470	1	COVER, DUST			
18		V805-000140	3	BOLT, TORX 5	TB-5*12 10.9		
19		X547-002980	1	LABEL,ECHO			

10. GEAR CASE, SHIELD



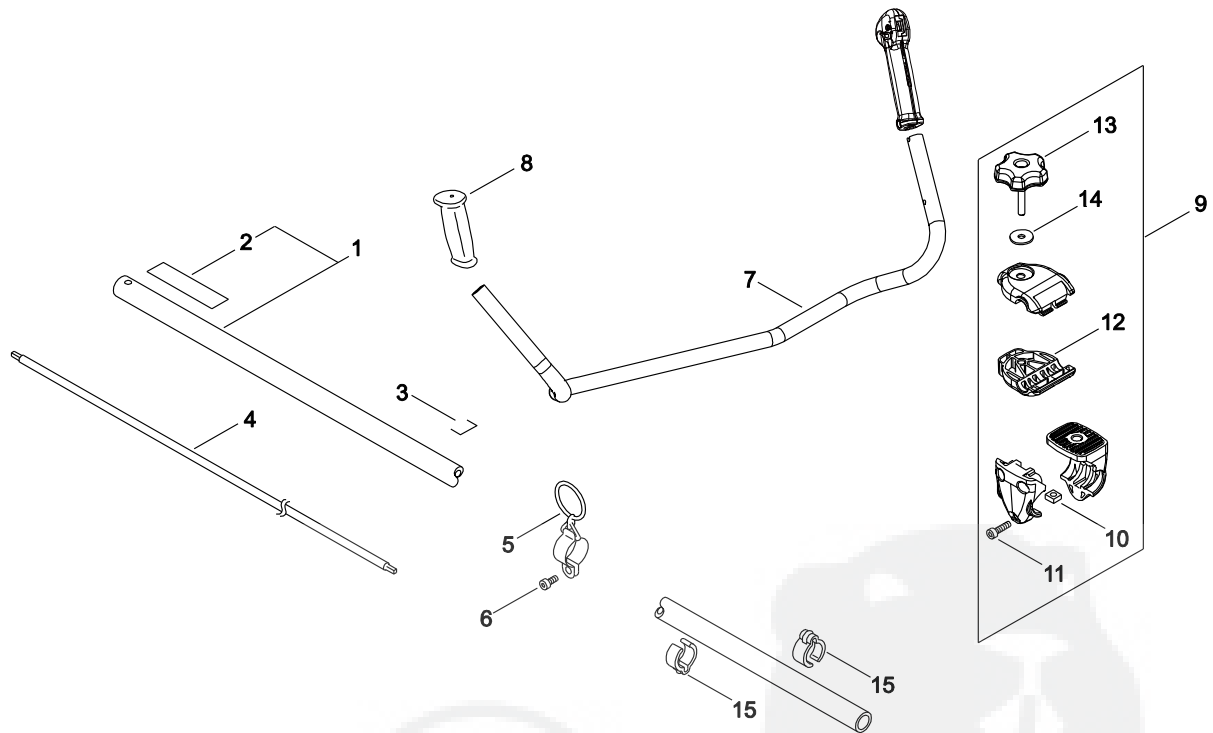
KEY	LV	PART NUMBER	QTY	DESCRIPTION	REMARKS	NOTE1	NOTE2
1		P021-051190	1	GEAR CASE ASY			
2	+	V000-000110	1	GEAR SET, BEVEL			
3	+	C534-000940	1	SHAFT, GEAR	M10		
4	+	900810-00629	1	BEARING, BALL 629			
5	+	900812-06302	1	BEARING, BALL	BB6302 LLU,DDU		
6	+	900855-06900	2	BEARING, BALL 6900	6900		
7	+	900858-06900	1	BEARING, BALL 6900Z	6900Z		
8	+	V313-000090	1	WASHER,CIRCULAR 20			
9	+	900702-00042	1	CIRCLIP 42	CR-42		
10	+	900702-00022	1	CIRCLIP 22	CR-22		
11	+	900706-00012	1	CIRCLIP 12	WR-12		
12	+	900706-00010	1	CIRCLIP 10	WR-10		
13	+	900701-00009	1	CIRCLIP 9	CS-9		
14	+	C535-000920	1	FIXTURE, BLADE			
15	++	C535-000930	1	FIXTURE, BLADE			
16	++	610352-56830	1	PLATE, CUP			
17	++	900720-00012	1	O-RING 12	P-12		
18	+	610314-52130	1	PLATE, ADAPTER (L)			
19	+	699229-56830	1	PLATE, COVER			
20	+	610320-52130	1	NUT 10			
21	+	V452-001310	1	SPRING,TORSION			
22	+	610434-50031	1	BOLT 8* 8	M8*8		
23	+	900603-50008	1	WASHER	8.5*18*0.8T		
24	+	V806-000020	1	BOLT, TORX 6	TB-6*25 10.9		

10. GEAR CASE, SHIELD



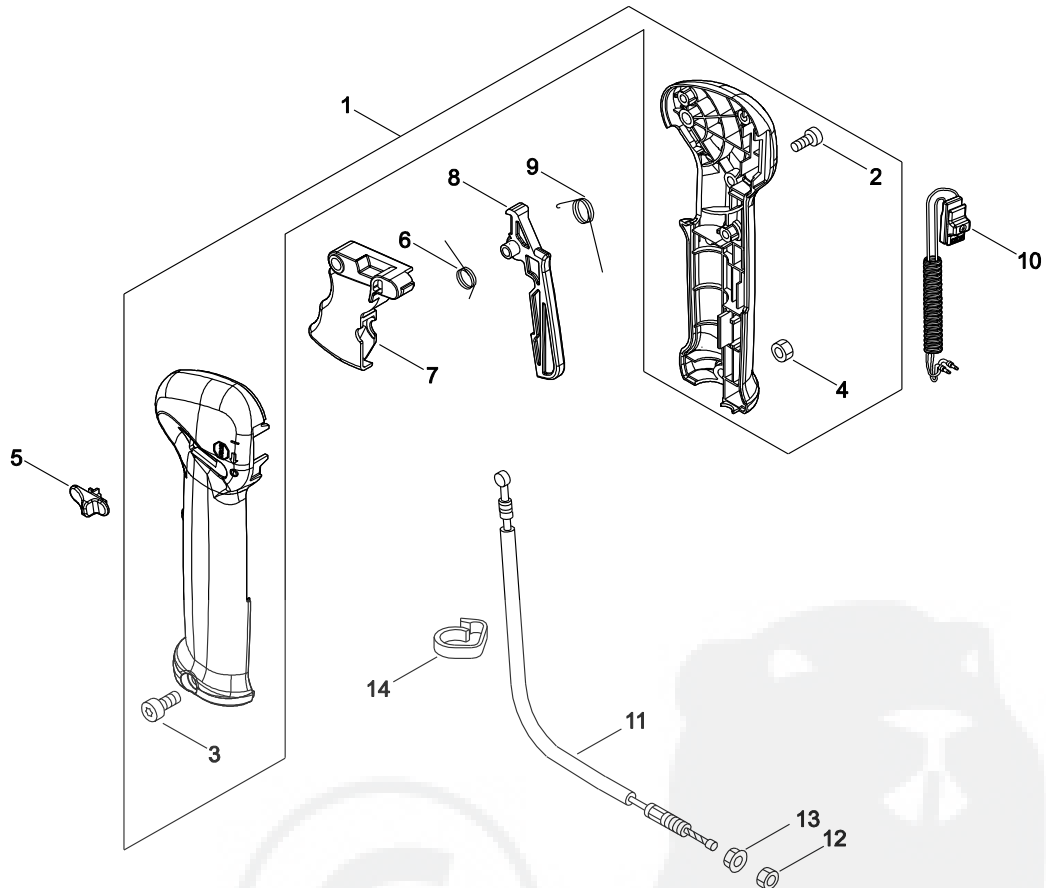
KEY	LV	PART NUMBER	Q'TY	DESCRIPTION	REMARKS	NOTE1	NOTE2
25	+	V805-000130	1	BOLT, TORX 5	TB-5*10 10.9		
26		P021-050810	1	SHIELD BLADE ASY			
27	+	900565-00005	1	NUT	5		
28	+	V805-000170	1	BOLT, TORX 5	TB-5*25 10.9		
29	+	900562-00005	1	NUT, LOCK	5		
30	+	C552-000200	1	PLATE, SHIELD			
31	+	91316-04010	1	SCREW	M4*10		
32	+	V805-000260	4	BOLT, TORX 5	TB5*25 10.9		
33		P021-042900	1	SHIELD ASY, BLADE			
34	+	C550-000560	1	SHIELD, BLADE			
35	+	C554-000030	1	KNIFE, CORD	17INCH		
36	+	V805-000150	1	BOLT, TORX 5	TB-5*16 10.9		
37		C550-000541	1	SHIELD, BLADE			
38		X524-005230	1	LABEL	HIGH TORQUE		

11. MAIN PIPE, HANDLE



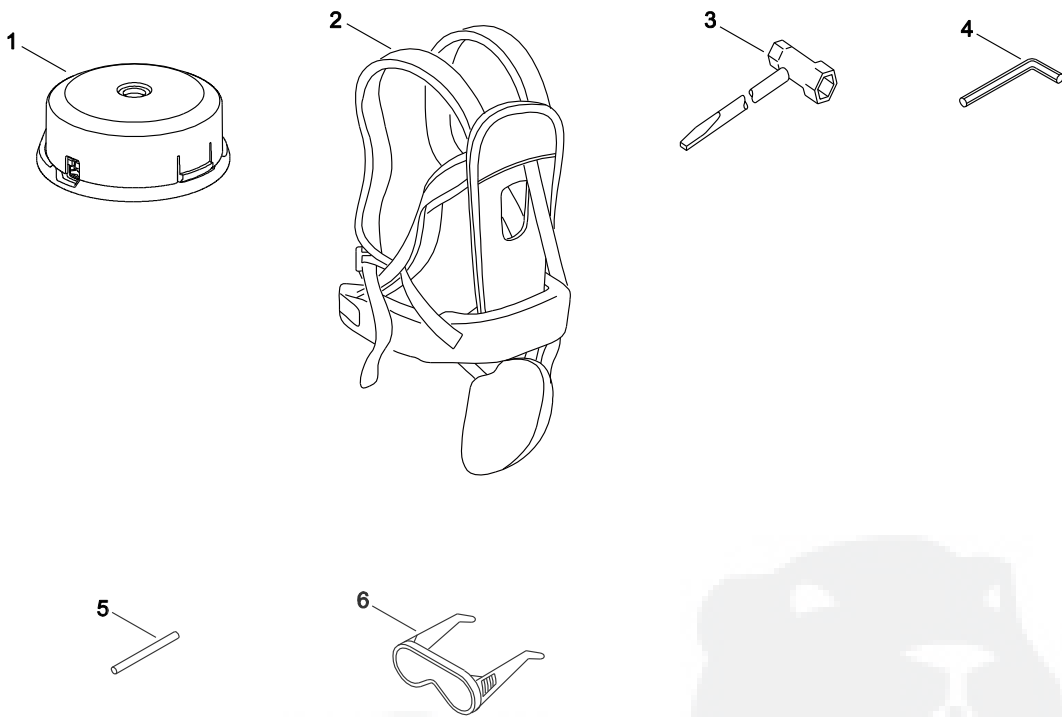
KEY	LV	PART NUMBER	Q'TY	DESCRIPTION	REMARKS	NOTE1	NOTE2
1		P021-049000	1	MAIN PIPE ASY			
2	+	890617-43130	1	LABEL,CAUTION			
3		890152-04930	1	LABEL, CAUTION			
4		C504-000050	1	SHAFT,DRIVE	7*1540		
5		C646-000060	1	RING, HARNESS	3-PIECE ASM		
6		V805-000140	1	BOLT, TORX 5	TB-5*12 10.9		
7		C400-000000	1	HANDLE,FRONT			
8		C403-000031	1	GRIP,HANDLE			
9		P021-016232	1	FIXTURE,ASY HANDLE			
10	+	900565-50008	1	NUT			
11	+	V805-000170	3	BOLT, TORX 5	TB-5*25 10.9		
12	+	C423-000043	1	FIXTURE,HANDLE			
13	+	V299-000110	1	KNOB,FASTENER			
14	+	605014-54230	1	WASHER			
15		224924-52130	2	CLIP	25MM		

12. THROTTLE



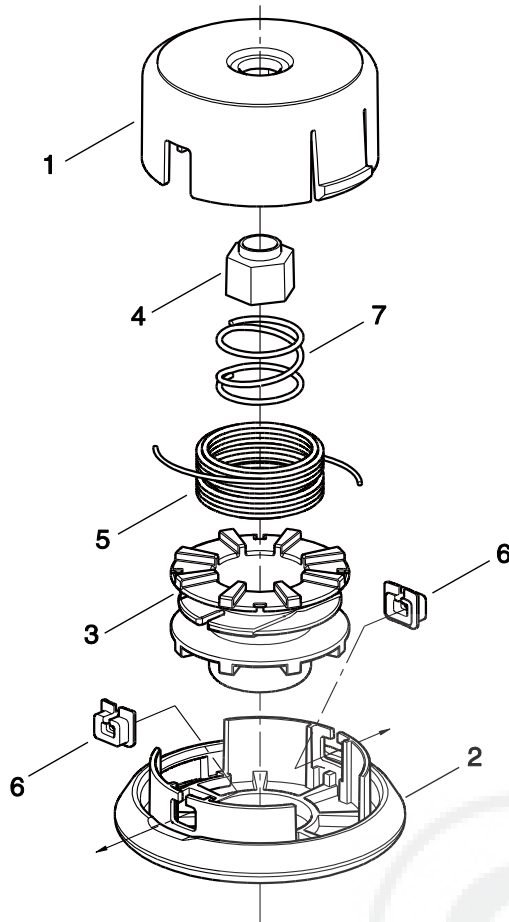
KEY	LV	PART NUMBER	Q'TY	DESCRIPTION	REMARKS	NOTE1	NOTE2
1		P021-016210	1	GRIP ASY,F-HANDLE			
2	+	V804-000010	3	BOLT, TORX 4	TT-4*16 DG 10.9		
3	+	V805-000050	1	BOLT, TORX 5	TB-5*30 10.9		
4	+	900500-00005	1	NUT 5	5		
5		C463-000020	1	KNOB, LATCH			
6		V452-000360	1	SPRING,TORSION			
7		C450-000270	1	CONTROL, THROTTLE			
8		C460-000111	1	LOCKOUT, THROTTLE	70MM		
9		V452-000350	1	SPRING,TORSION			
10		P021-051010	1	ON OFF SWITCH			
11		V430-004950	1	CABLE, BOWDEN			
12		900502-00006	1	NUT 6 (3N)	3N6		
13		900518-00006	1	NUT, FLANGE	6		
14		159112-09961	1	CLIP			

13. ACCESSORIES



KEY	LV	PART NUMBER	Q'TY	DESCRIPTION	REMARKS	NOTE1	NOTE2
1		X047-000321	1	CUTTER,ASM LINE			
2		C062-000194	1	HARNESS,SHOULDER			
3		895415-66630	1	WRENCH, SPCKET			
4		X605-000170	1	TOOL,L WRENCH			
5		X606-000080	1	TOOL,BAR	5*120		
6		X690-000080	1	GOGGLE	SI CHINA, Z87.1		

14. NYLON LINE CUTTER



KEY	LV	PART NUMBER	QTY	DESCRIPTION	REMARKS	NOTE1	NOTE2
		X047-000321	1	CUTTER,ASM LINE			
1	+	P022-010420	1	HOUSING			
2	+	P022-010410	1	COVER			
3	+	P022-010400	1	BOBBIN			
4	+	P022-023180	1	NUT			
5	+	P022-010380	1	NYLON CODE			
6	+	P022-000710	2	EYELET			
7	+	P022-010370	1	SPRING			

Index

Patrs Number	Key No.	Patrs Number	Key No.	Patrs Number	Key No.
100013-35430	1 - 7	900701-00009	10 - 13	A556-001750	4 - 10
100014-53630	1 - 10	900701-00012	4 - 12	A575-000690	4 - 16
100015-03931	1 - 8	900702-00022	10 - 10	C062-000194	13 - 2
100142-12330	3 - 9	900702-00028	4 - 11	C152-001030	3 - 5
100212-42031	2 - 3	900702-00042	4 - 18	C400-000000	11 - 7
123114-40630	6 - 24	900702-00042	10 - 9	C403-000031	11 - 8
123126-10631	6 - 19	900706-00010	10 - 12	C423-000043	11 - 12
123137-19830	6 - 8	900706-00012	10 - 11	C450-000270	12 - 7
123138-03930	6 - 20	900720-00012	10 - 17	C460-000111	12 - 8
123140-27230	6 - 10	900800-36001	2 - 2	C463-000020	12 - 5
123142-03930	6 - 4	900807-06001	4 - 9	C504-000050	11 - 4
123173-07930	6 - 3	900810-00629	10 - 4	C534-000940	10 - 3
123181-09560	6 - 22	900810-36000	2 - 4	C535-000920	10 - 14
131016-55830	7 - 3	900812-06302	10 - 5	C535-000930	10 - 15
131300-56431	7 - 10	900855-06900	10 - 6	C550-000541	10 - 37
132010-06530	7 - 7	900858-06900	10 - 7	C550-000560	10 - 34
132012-56030	7 - 8	91316-04010	10 - 31	C552-000200	10 - 30
132115-55930	7 - 5	A011-001460	1 - 1	C554-000030	10 - 35
145862-40630	8 - 4	A021-004600	5 - 9	C646-000060	11 - 5
156110-04920	3 - 8	A021-004600	6 - 1	P003-001630	6 - 21
159112-09961	12 - 14	A051-003220	9 - 1	P003-001670	6 - 12
175046-56030	4 - 4	A052-000180	9 - 13	P003-001710	6 - 17
175048-05530	4 - 6	A101-000010	1 - 6	P003-004510	6 - 5
175049-56030	4 - 5	A127-000470	9 - 17	P003-004530	6 - 9
177220-40630	9 - 8	A130-002330	1 - 2	P003-004540	6 - 11
177227-42030	9 - 3	A160-003280	1 - 11	P003-004560	6 - 14
177228-27030	9 - 11	A172-003140	4 - 8	P003-004570	6 - 15
177236-61830	9 - 9	A175-000040	7 - 14	P003-005300	6 - 2
224924-52130	11 - 15	A202-000300	5 - 1	P003-005850	6 - 7
605014-54230	11 - 14	A206-000040	5 - 2	P003-005860	6 - 13
610314-52130	10 - 18	A209-001000	5 - 7	P003-005870	6 - 16
610320-52130	10 - 20	A209-001010	5 - 4	P003-005880	6 - 18
610352-56830	10 - 16	A226-002030	5 - 18	P003-005890	6 - 23
610434-50031	10 - 22	A226-002040	5 - 19	P003-005900	6 - 25
699229-56830	10 - 19	A227-000050	5 - 17	P021-012210	7 - 2
890152-04930	11 - 3	A232-001890	5 - 14	P021-016210	12 - 1
890332-52730	5 - 16	A244-000320	5 - 12	P021-016232	11 - 9
890617-43130	11 - 2	A313-002060	8 - 3	P021-042900	10 - 33
895415-66630	13 - 3	A320-001200	8 - 8	P021-049000	11 - 1
900500-00005	12 - 4	A350-002350	7 - 1	P021-050810	10 - 26
900502-00006	12 - 12	A365-000060	7 - 4	P021-050840	1 - 5
900515-00008	3 - 4	A369-000470	7 - 12	P021-050850	2 - 1
900518-00006	12 - 13	A409-001320	3 - 1	P021-050860	4 - 1
900562-00005	10 - 29	A411-001710	3 - 2	P021-050880	5 - 11
900565-00005	9 - 4	A413-000080	4 - 14	P021-050900	8 - 1
900565-00005	10 - 27	A425-000060	3 - 10	P021-051000	4 - 7
900565-50008	11 - 10	A426-000010	3 - 12	P021-051010	12 - 10
900602-00005	7 - 17	A427-000220	3 - 11	P021-051190	10 - 1
900603-50008	10 - 23	A553-000190	4 - 2	P022-000710	14 - 6

Index

Patrs Number	Key No.	Patrs Number	Key No.	Patrs Number	Key No.
P022-002100	9 - 16	V805-000150	5 - 5		
P022-006510	9 - 15	V805-000150	10 - 36		
P022-006850	9 - 14	V805-000160	4 - 15		
P022-008270	9 - 7	V805-000160	7 - 15		
P022-010370	14 - 7	V805-000170	4 - 17		
P022-010380	14 - 5	V805-000170	7 - 16		
P022-010400	14 - 3	V805-000170	10 - 28		
P022-010410	14 - 2	V805-000170	11 - 11		
P022-010420	14 - 1	V805-000210	1 - 4		
P022-022110	9 - 10	V805-000210	3 - 7		
P022-023180	14 - 4	V805-000220	2 - 7		
P022-033310	9 - 6	V805-000250	8 - 2		
P022-033320	9 - 5	V805-000260	10 - 32		
P022-037670	9 - 12	V805-000340	5 - 13		
P022-043670	9 - 2	V806-000020	10 - 24		
V000-000110	10 - 2	V855-000000	5 - 6		
V100-000840	1 - 3	X047-000321	13 - 1		
V102-000300	2 - 6	X047-000321	14 -		
V103-001890	5 - 8	X524-005230	10 - 38		
V103-001900	5 - 10	X547-002980	9 - 19		
V104-002300	8 - 5	X547-002990	1 - 13		
V104-002310	8 - 7	X605-000170	13 - 4		
V186-000500	7 - 9	X606-000080	13 - 5		
V299-000110	11 - 13	X690-000080	13 - 6		
V299-000290	5 - 15				
V313-000090	10 - 8				
V323-000070	3 - 6				
V430-004950	12 - 11				
V451-001390	4 - 3				
V452-000350	12 - 9				
V452-000360	12 - 6				
V452-001310	10 - 21				
V471-001230	7 - 6				
V475-007540	3 - 3				
V485-002880	3 - 13				
V490-001230	7 - 11				
V490-001240	7 - 13				
V503-000040	2 - 5				
V554-000020	1 - 9				
V804-000010	12 - 2				
V804-000030	8 - 6				
V805-000050	12 - 3				
V805-000130	10 - 25				
V805-000140	1 - 12				
V805-000140	8 - 9				
V805-000140	9 - 18				
V805-000140	11 - 6				
V805-000150	4 - 13				
V805-000150	5 - 3				

YAMABIKO CORPORATION

7-2 SUEHIROCHO 1-CHOME, OHME, TOKYO 198-8760, JAPAN
PHONE: 81-428-32-6118. FAX: 81-428-32-6145.

The ECHO logo consists of the word "ECHO" in a bold, italicized, sans-serif font. To the left of the text is a circular emblem containing a stylized 'E' shape. A registered trademark symbol (®) is located at the end of the word.

ECHO®



-16B
No. 08-124