



# **PARTS CATALOG**

## **GRASS-TRIMMER / BRUSHCUTTER**

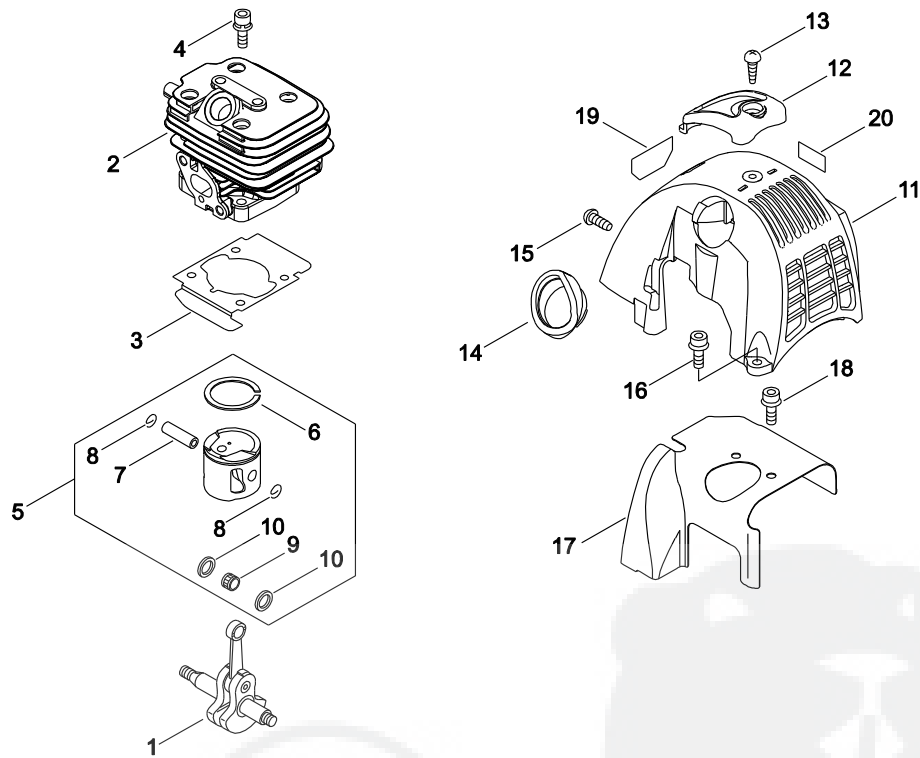
### **SRM-265TES/U(37)**

37013571 -

**CE**

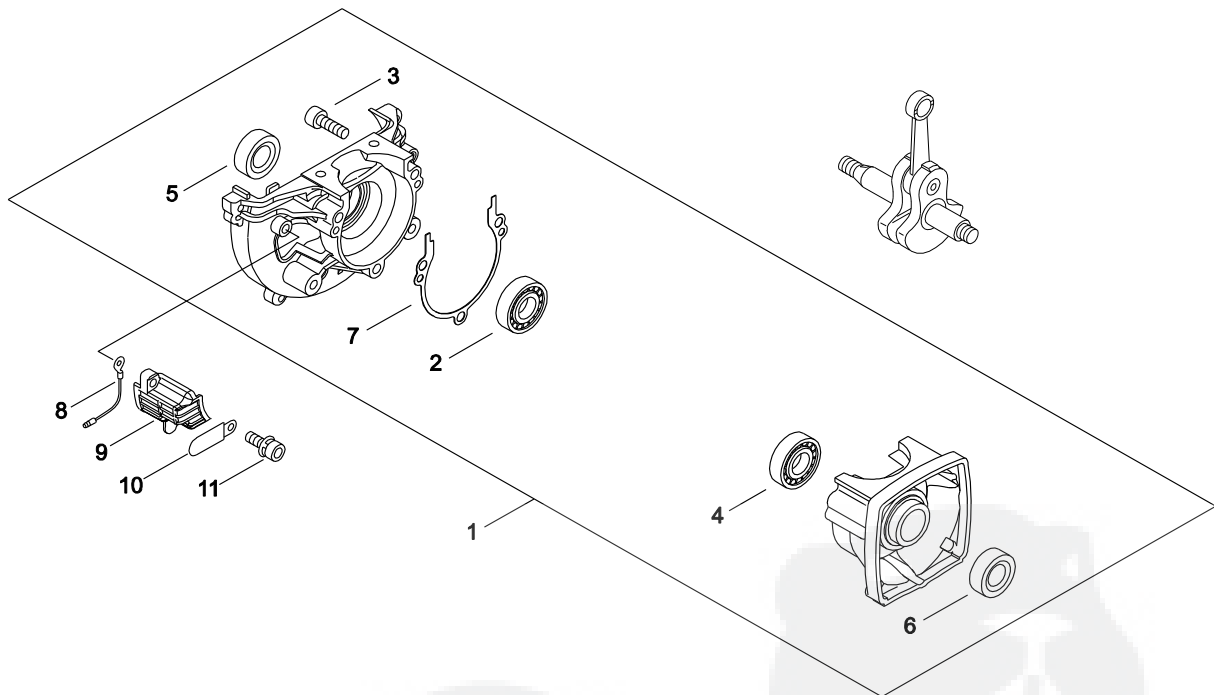
P014-001021-15C

## 1. CYLINDER, PISTON, CRANKSHAFT



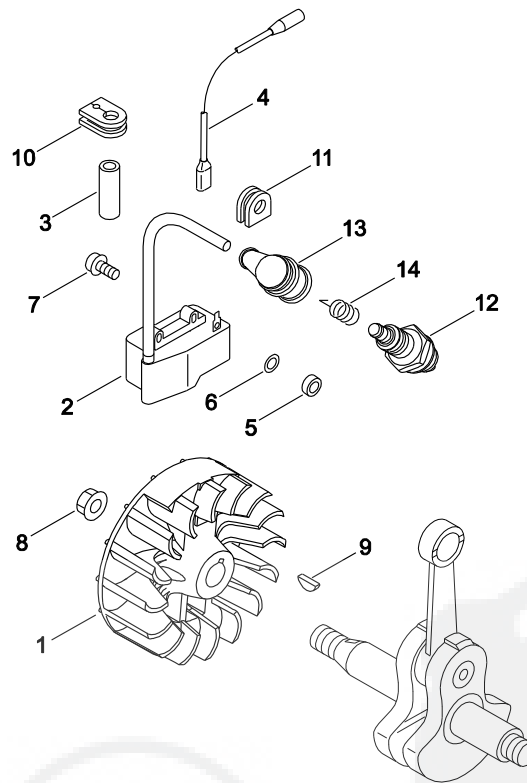
KEY	LV	PART NUMBER	Q'TY	DESCRIPTION	REMARKS	NOTE1	NOTE2
1		A011-000434	1	CRANKSHAFT,ASY			
2		A130-000761	1	CYLINDER			
3		V100-000210	1	GASKET,CYL	T0.5 38.1		
4		900162-05025	4	BOLT, H.S. 5*25	5*25 W,SW		
5		P021-009771	1	PISTON KIT			
6	+	A101-000170	1	RING, PISTON	34*1.5*1.5		
7	+	100013-35430	1	PIN, PISTON	6*9*27.8		
8	+	100015-03931	2	CIRCLIP, PISTON PIN			
9	+	100012-16131	1	BEARING, NEEDLE			
10	+	100014-53630	2	SPACER, PISTON PIN			
11		A160-000780	1	COVER,CYLINDER			
12		A162-000100	1	GUARD, TOP			
13		900256-05016	1	SCREW, TAPPING	5*16		
14		A162-000080	1	GUARD, TOP			
15		91141-05012	1	BOLT	M5*12		
16		91121-05016	1	BOLT, FLANGE	10.9 SILVER		
17		A160-000691	1	COVER,CYLINDER			
18		900106-05008	2	BOLT, H.S. 5* 8	5*8		
19		X547-001800	1	LABEL,ECHO			
20		X505-002310	1	LABEL,CAUTION	HOT CAUTION		

## 2. CRANKCASE



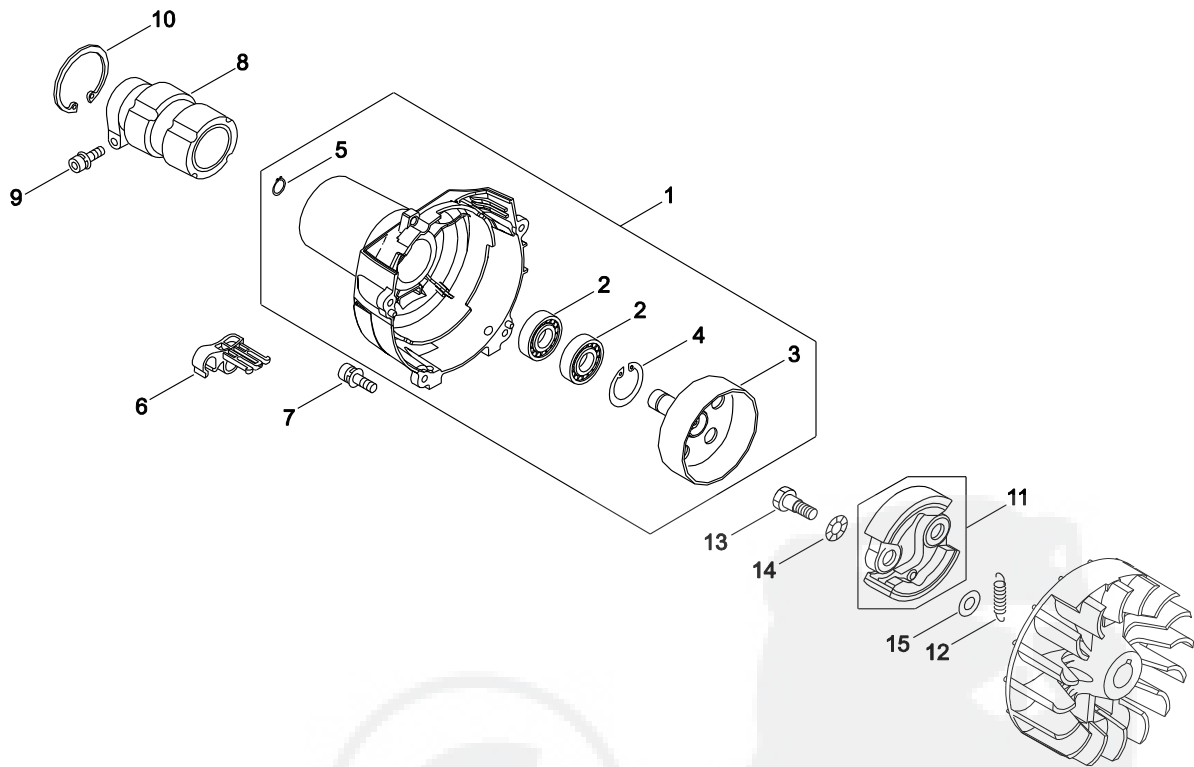
KEY	LV	PART NUMBER	Q'TY	DESCRIPTION	REMARKS	NOTE1	NOTE2
1		P021-010801	1	CRANKCASE KIT			
2	+	94035-36201	1	BEARING BALL	6201X3JR2C3		
3	+	900162-05028	3	BOLT, H.S. 5*28	5*28 W,SW		
4	+	94035-36201	1	BEARING BALL	6201X3JR2C3		
5	+	100212-42031	1	OILSEAL	ISCD 12*22*4.5		
6	+	V505-000050	1	SEAL,OIL 12			
7	+	100242-42030	1	GASKET, CRANKCASE			
8		156635-43130	1	LEAD, GROUND			
9		A127-000160	1	COVER,DUST			
10		159116-21231	1	CLAMP			
11		91118-05016	1	BOLT	CM-5*16		

## 3. MAGNETO



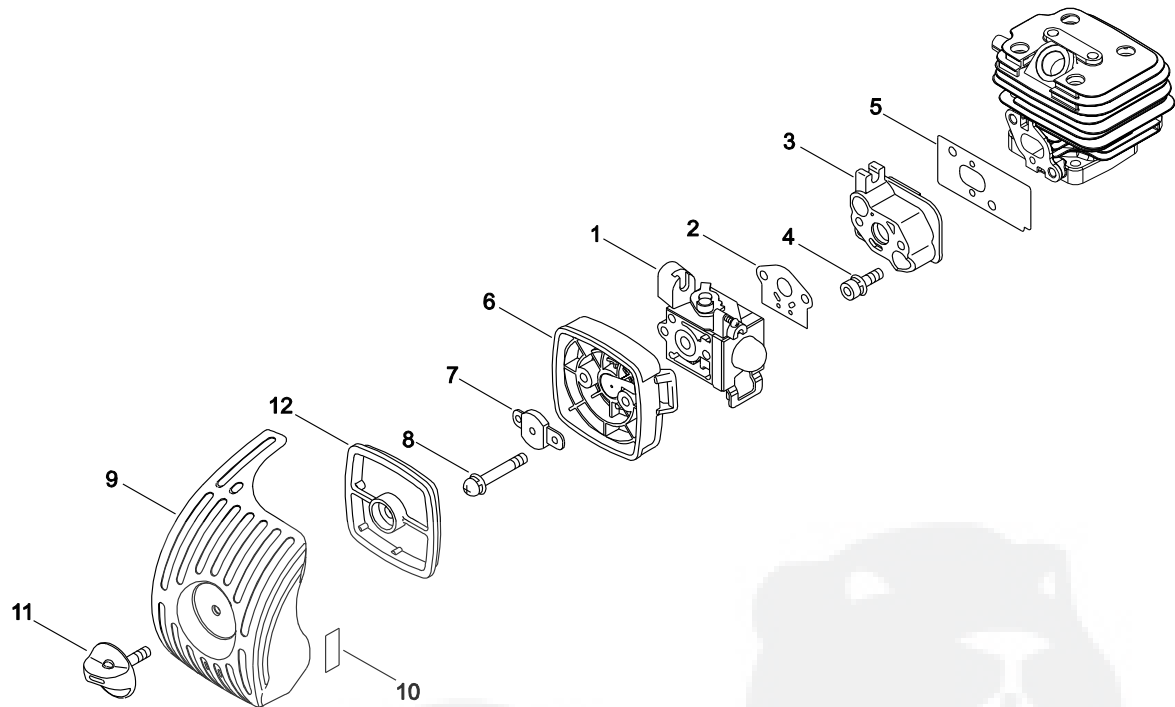
KEY	LV	PART NUMBER	Q'TY	DESCRIPTION	REMARKS	NOTE1	NOTE2
1		A409-001222	1	ROTOR, MAGNETO	ID:C10744		
2		A411-000251	1	COIL, IGNITION	ID#C10048		
3		V475-003380	1	TUBE			
4		162010-04561	1	LEAD, GROUND	210L		
5		V322-000031	2	WASHER,CIRCULAR 4			
6		900603-00004	2	WASHER 4	4.5*10*0.8		
7		V202-000130	2	BOLT,4	CBF-4*20		
8		900515-00008	1	NUT, FLANGE 8	8		
9		100142-12330	1	KEY, WOODRUFF			
10		V135-000030	1	GROMMET,HT CORD			
11		156110-04920	1	BUSHING			
12		A425-000000	1	SPARKPLUG	BPMR8Y		
13		A427-000013	1	CAP, SPARK PLUG			
14		A426-000010	1	TERMINAL, SPARKPLUG			

## 4. CLUTCH



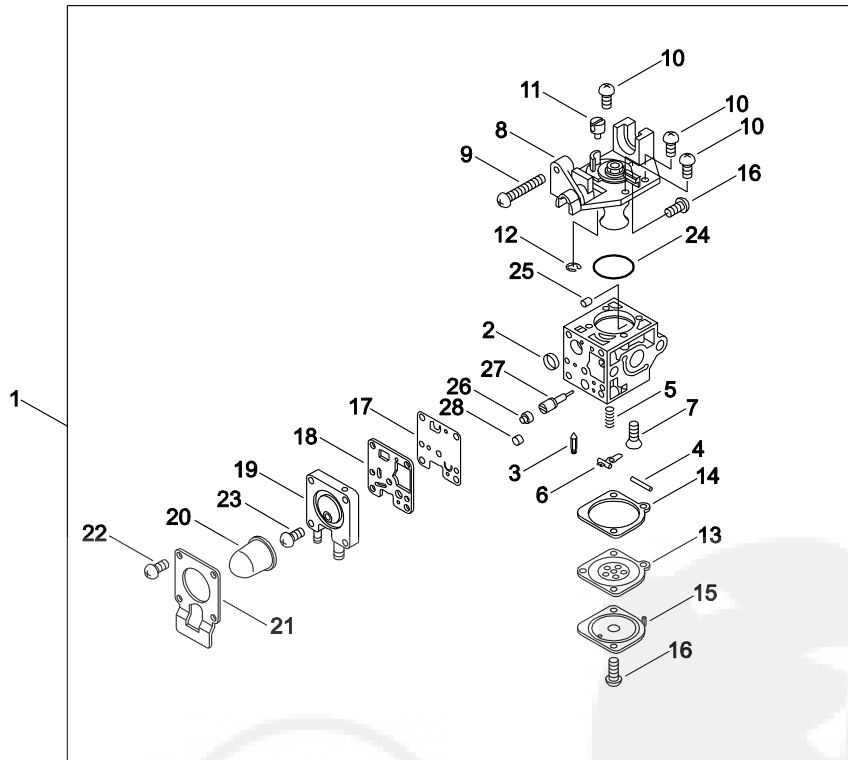
KEY	LV	PART NUMBER	Q'TY	DESCRIPTION	REMARKS	NOTE1	NOTE2
1		P021-013530	1	COVER,FAN ASSY			
2	+	900807-06001	2	BEARING, BALL 6001	6001V(LB)		
3	+	A556-000040	1	DRUM,CLUTCH			
4	+	900702-00028	1	CIRCLIP 28	CR-28		
5	+	900701-00012	1	CIRCLIP 12	CS-12		
6		V491-000180	1	CLIP			
7		V202-000090	4	BOLT,4	4*16		
8		A575-000110	1	FIXTURE,MAIN PIPE			
9		91118-05028	1	BOLT	CM-5*28		
10		900702-00042	1	CIRCLIP 42	CR-42		
11		P021-046900	1	CLUTCH SHOE SET			
12		V451-000400	1	SPRING,TENSION			
13		175046-56030	2	SHAFT, CLUTCH			
14		175049-56030	2	WASHER	8.5*16*0.5		
15		175048-05530	2	WASHER (I)	6.2*19*1.0		

## 5. AIR CLEANER, CARBURETOR



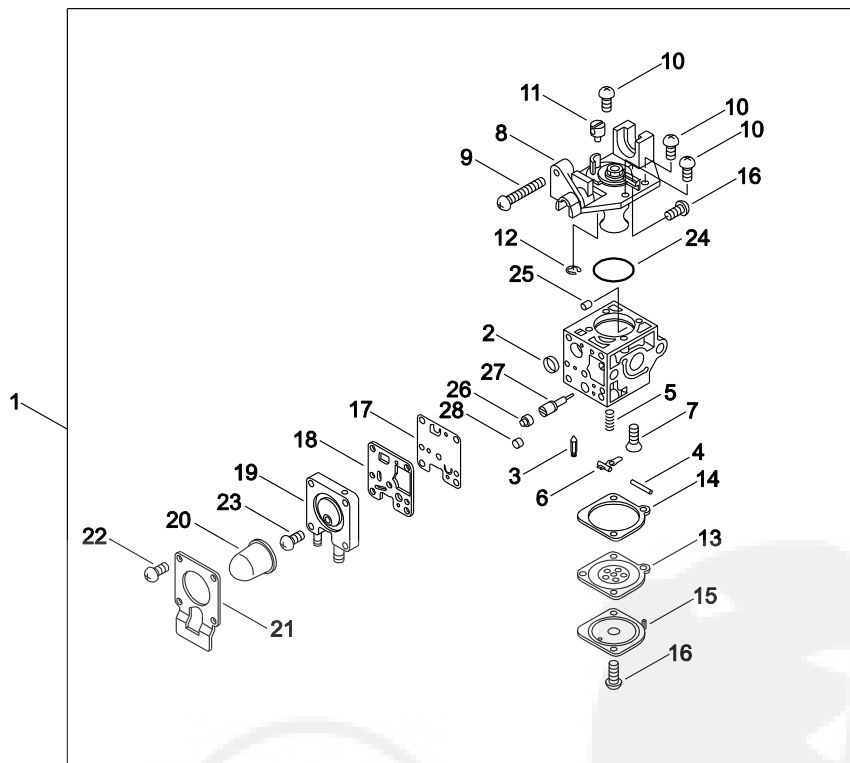
KEY	LV	PART NUMBER	Q'TY	DESCRIPTION	REMARKS	NOTE1	NOTE2
1		A021-001742	1	CARBURETOR,DIAPHRAGM	ZAMA RB-K94		
2		V103-000270	1	GASKET,INTAKE	T1.5-11		
3		A200-000200	1	INSULATOR,INTAKE			
4		900162-05025	2	BOLT, H.S. 5*25	5*25 W,SW		
5		V103-000210	1	GASKET,INTAKE			
6		P021-004480	1	CASE, AIR CLEANER			
7		129011-52730	1	PLATE, PREVENT			
8		900242-05065	2	SCREW 5*65	5*65		
9		A232-000330	1	LID,CLEANER			
10		890332-52730	1	LABEL, CHOKE			
11		V299-000250	1	KNOB,FASTENER			
12		A226-001410	1	ELEMENT,AIR FILTER			

## 6. CARBURETOR



KEY	LV	PART NUMBER	Q'TY	DESCRIPTION	REMARKS	NOTE1	NOTE2
1		A021-001742	1	CARBURETOR,DIAPHRAGM	ZAMA RB-K94		
2	+	P005-000010	1	STRAINER			
3	+	125337-08260	1	VALVE, INLET NEEDLE			
4	+	125338-13930	1	PIN, METERING ARM			
5	+	125322-07260	1	SPRING, COIL			
6	+	125323-08260	1	ARM, VALVE			
7	+	125339-42030	1	SCREW			
8	+	P005-002070	1	COVER ASY, ROTOR			
9	+	P005-000100	1	SCREW,THROTTLEADJUST			
10	+	125344-13931	3	SCREW			
11	+	P005-001240	1	POST			
12	+	P005-000190	1	E-RING			
13	+	P005-002230	1	DIAPHRAGM ,METERING			
14	+	P005-000200	1	GASKET, METERING			
15	+	125342-52130	1	COVER, DIAPHRAGM			
16	+	125344-52130	3	SCREW			
17	+	P005-000510	1	DIAPHRAGM, PUMP			
18	+	P005-000520	1	GASKET, PUMP			
19	+	P005-001890	1	BASE, ASY PRIMER			
20	+	P005-003110	1	PUMP, PRIMER			
21	+	P005-000250	1	RETAINER			
22	+	P005-001900	4	SCREW			
23	+	P005-000270	1	SCREW			
24	+	P005-000280	1	O-RING			
25	+	P005-001000	1	ROLLER, GUIDE			

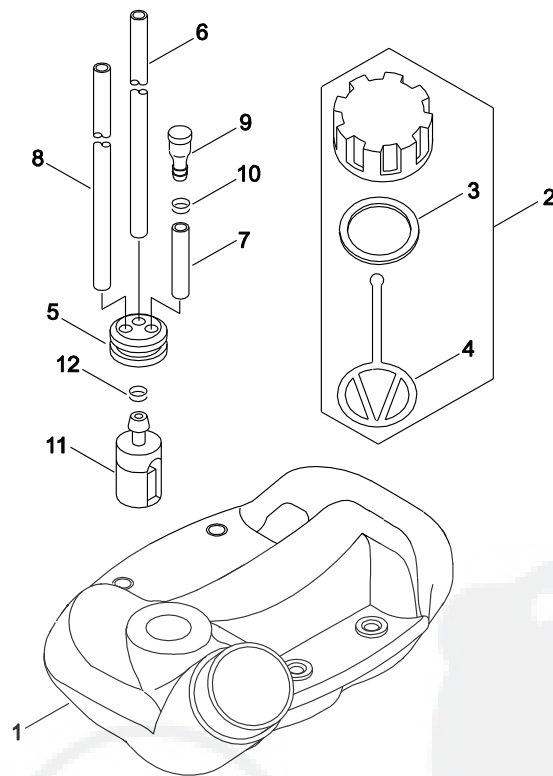
## 6. CARBURETOR



KEY	LV	PART NUMBER	Q'TY	DESCRIPTION	REMARKS	NOTE1	NOTE2
26	+	P005-001250	1	RETAINER,PLUG BALL			
27	+	P005-001290	1	SCREW,MAINN MIXTURE			
28	+	P005-001270	1	PLUG, H AJUST SCREW			

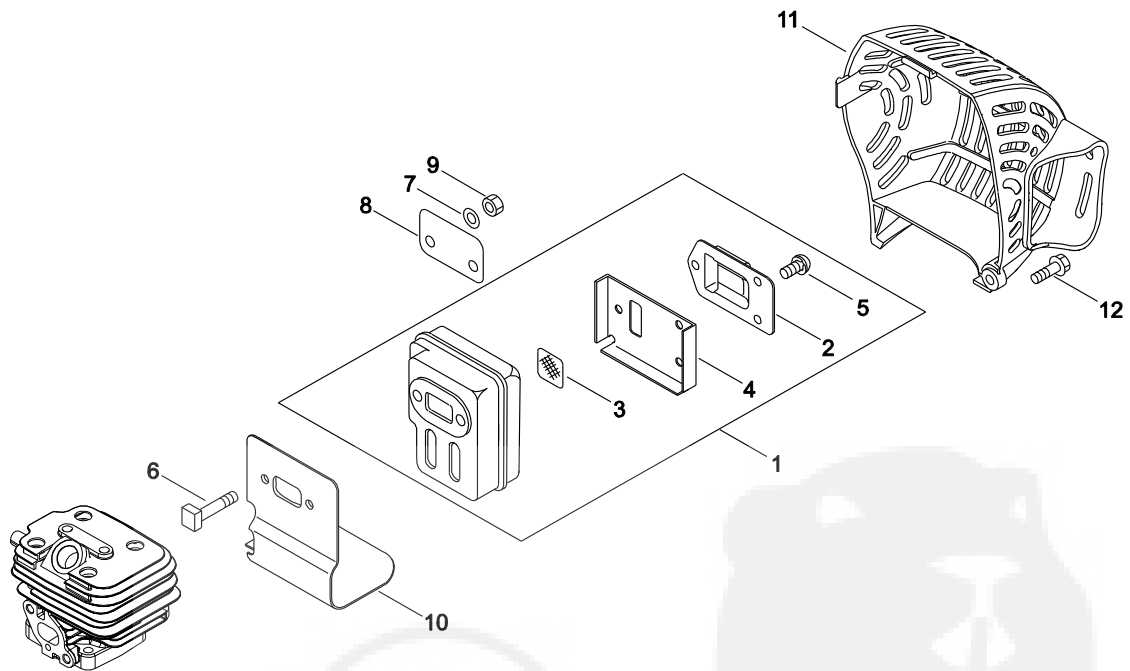


## 7. FUEL TANK



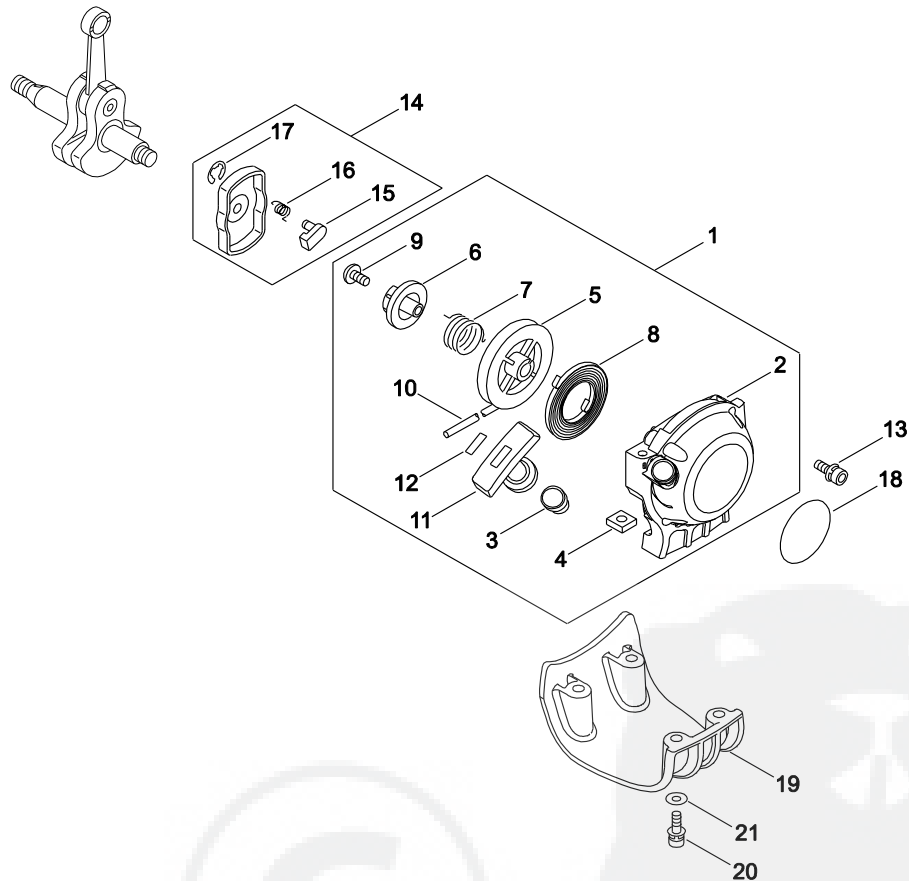
KEY	LV	PART NUMBER	QTY	DESCRIPTION	REMARKS	NOTE1	NOTE2
1		A350-000440	1	TANK, FUEL			
2		P021-012210	1	CAP, FUEL ASY			
3	+	131016-55830	1	GASKET, FUEL CAP			
4	+	A365-000060	1	CONNECTOR, CAP	L=123		
5		132115-55930	1	GROMMET, FUEL			
6		V470-000580	1	PIPE	3*5*195		
7		V471-001180	1	PIPE	3*6*35 NBR		
8		132010-40830	1	PIPE 3* 6* 75	3*6*75 YL		
9		A356-000031	1	VALVE, CHECK			
10		V490-001230	1	CLIP			
11		131205-19832	1	STRAINER, FUEL			
12		V490-001240	1	CLIP			

## 8. MUFFLER



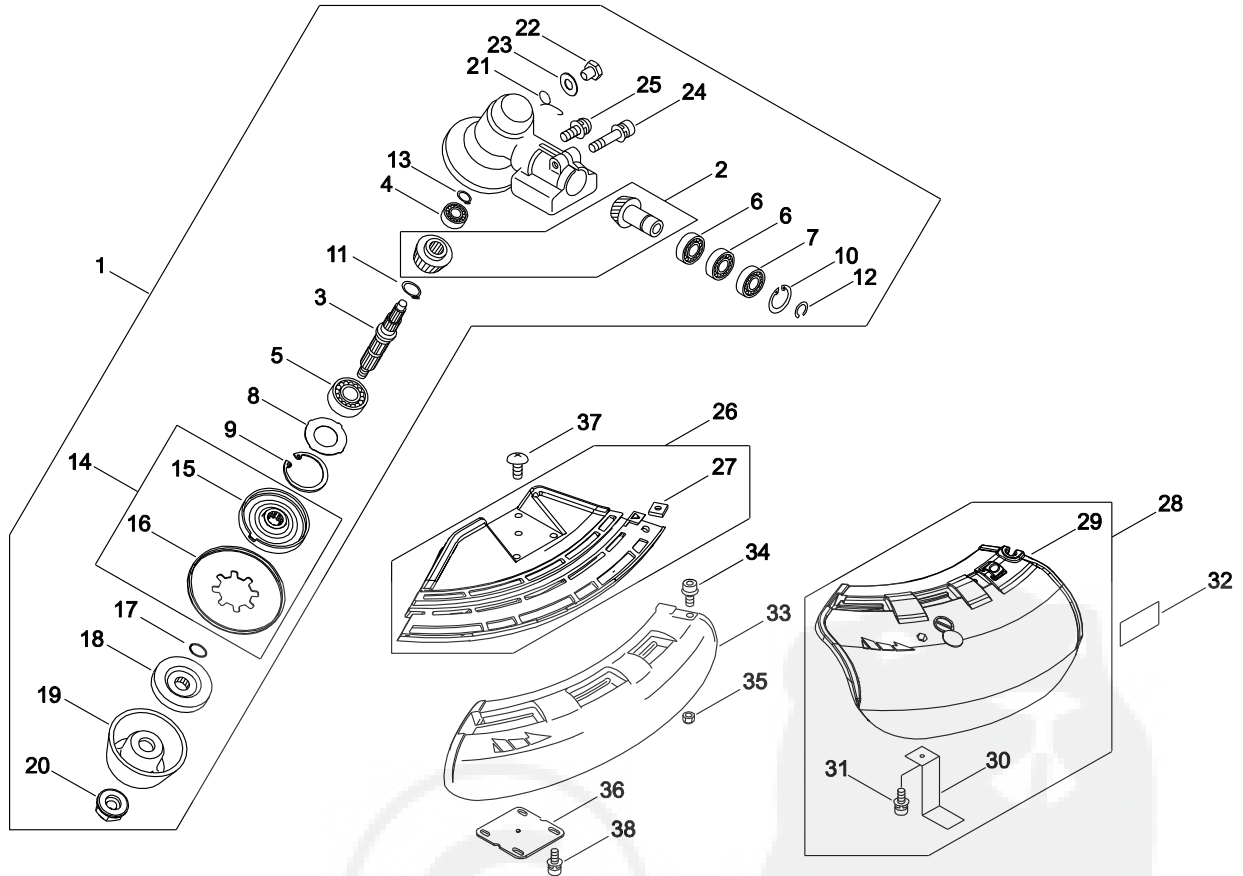
KEY	LV	PART NUMBER	Q'TY	DESCRIPTION	REMARKS	NOTE1	NOTE2
1		P021-011580	1	MUFFLER ASY			
2	+	A313-000830	1	GUIDE, EXHAUST	ID#1330		
3	+	145862-40630	1	SCREEN, MUFFLER			
4	+	V104-000790	1	GASKET, EXHAUST			
5	+	91367-04010	3	SCREW	4*10/SW(SUS)		
6		V203-000120	2	BOLT, 5	L=60		
7		92280-05000	2	WASHER, NORD-LOCK	NL5 5.4*9*1.8		
8		V150-001760	1	PLATE, EYE			
9		900500-00005	2	NUT 5	5		
10		V104-000780	1	GASKET, EXHAUST			
11		A320-000341	1	COVER, MUFFLER			
12		91121-05016	1	BOLT, FLANGE	10.9 SILVER		

## 9. RECOIL STARTER, PULLEY



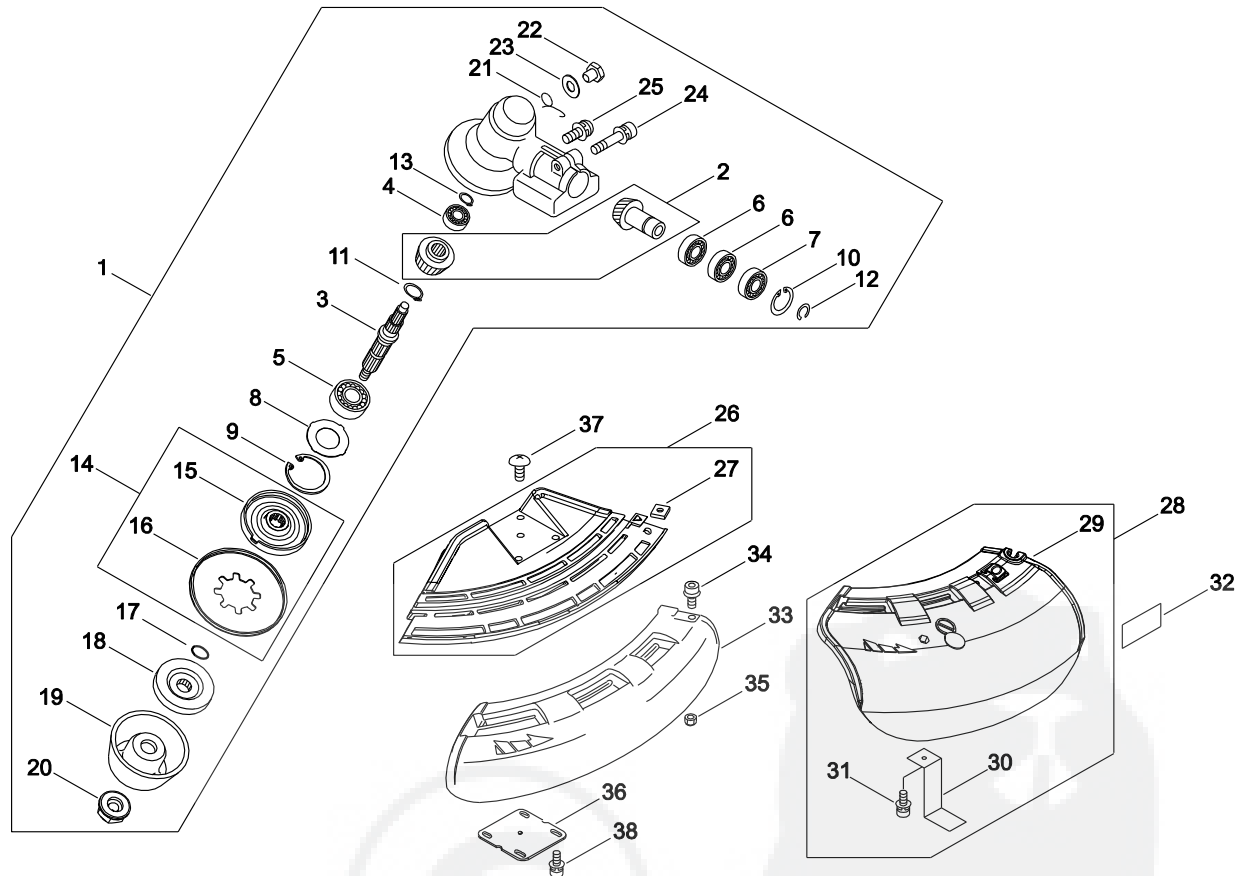
KEY	LV	PART NUMBER	Q'TY	DESCRIPTION	REMARKS	NOTE1	NOTE2
1		A051-000941	1	STARTER,RECOIL			
2	+	P022-037680	1	STARTER CASE			
3	+	177227-42030	1	GUIDE, ROPE			
4	+	P022-022010	1	NUT			
5	+	P022-027980	1	DRUM, STARTER			
6	+	P022-028000	1	PLATE, CAM			
7	+	P022-008270	1	SPRING,DAMPER			
8	+	177220-42030	1	SPRING, REWIND			
9	+	177236-61830	1	SCREW			
10	+	P022-008260	1	ROPE	3M/M		
11	+	177228-27030	1	GRIP, STARTER			
12	+	P022-037670	1	STOPPER, ROPE			
13		V202-000090	4	BOLT,4	4*16		
14		A052-000180	1	PULLEY,ASM STARTER			
15	+	P022-006850	2	PAWL, STARTER			
16	+	P022-006510	2	SPRING, RETURN			
17	+	P022-002100	2	E-RING	4		
18		X502-000890	1	LABEL,ECHO			
19		A175-000030	1	STAND			
20		91118-05025	4	BOLT			
21		900603-00005	4	WASHER 5	5.5*12*0.8		

## 10. GEAR CASE, SHIELD



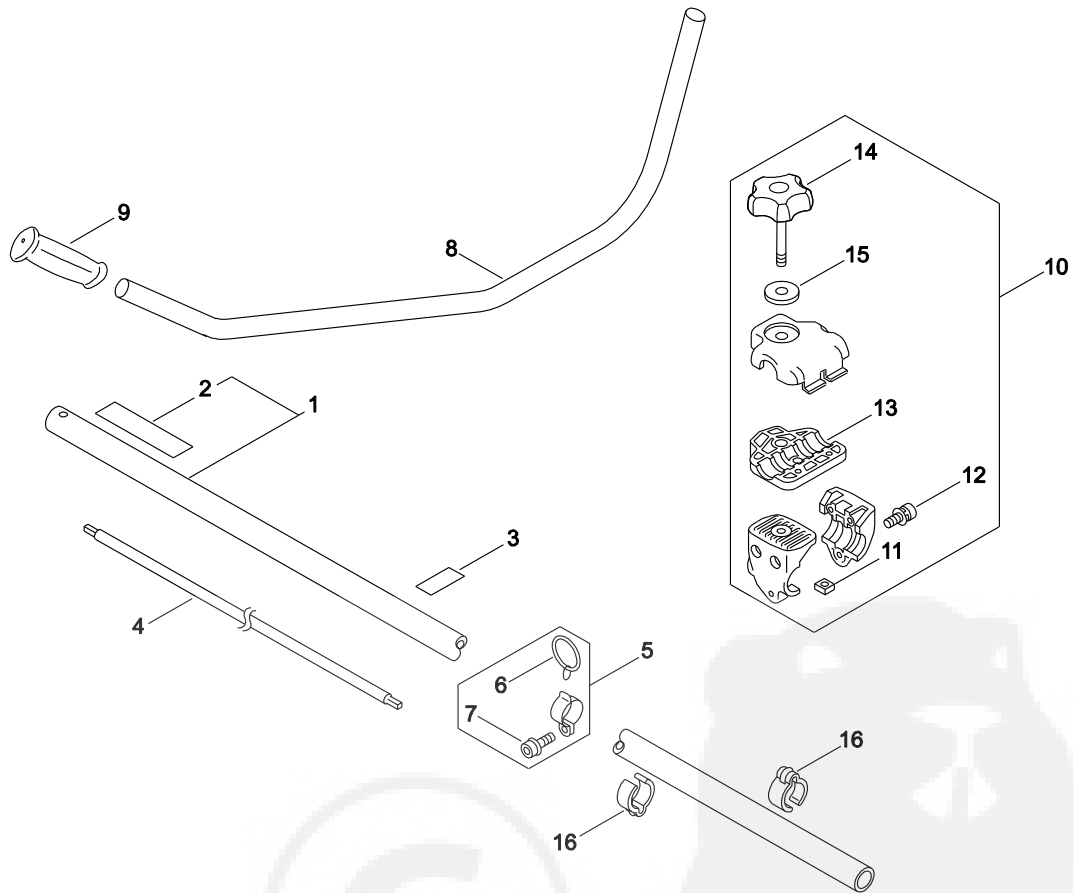
KEY	LV	PART NUMBER	QTY	DESCRIPTION	REMARKS	NOTE1	NOTE2
1		P021-035820	1	HOUSING ASY,GEAR			
2	+	V000-000110	1	GEAR SET, BEVEL			
3	+	C534-000940	1	SHAFT, GEAR	M10		
4	+	900810-00629	1	BEARING, BALL 629			
5	+	900812-06302	1	BEARING, BALL	BB6302 LLU,DDU		
6	+	900855-06900	2	BEARING, BALL 6900	6900		
7	+	900858-06900	1	BEARING, BALL 6900Z	6900Z		
8	+	V313-000090	1	WASHER,CIRCULAR 20			
9	+	900702-00042	1	CIRCLIP 42	CR-42		
10	+	900702-00022	1	CIRCLIP 22	CR-22		
11	+	900706-00012	1	CIRCLIP 12	WR-12		
12	+	900706-00010	1	CIRCLIP 10	WR-10		
13	+	900701-00009	1	CIRCLIP 9	CS-9		
14	+	C535-000920	1	FIXTURE, BLADE			
15	++	C535-000930	1	FIXTURE, BLADE			
16	++	610352-56830	1	PLATE, CUP			
17	+	900720-00012	1	O-RING 12	P-12		
18	+	610314-52130	1	PLATE, ADAPTER (L)			
19	+	699229-56830	1	PLATE, COVER			
20	+	610320-52130	1	NUT 10			
21	+	V452-001310	1	SPRING,TORSION			
22	+	610434-50031	1	BOLT 8*8	M8*8		
23	+	900603-50008	1	WASHER	8.5*18*0.8T		
24	+	91118-06025	1	BOLT			

## 10. GEAR CASE, SHIELD



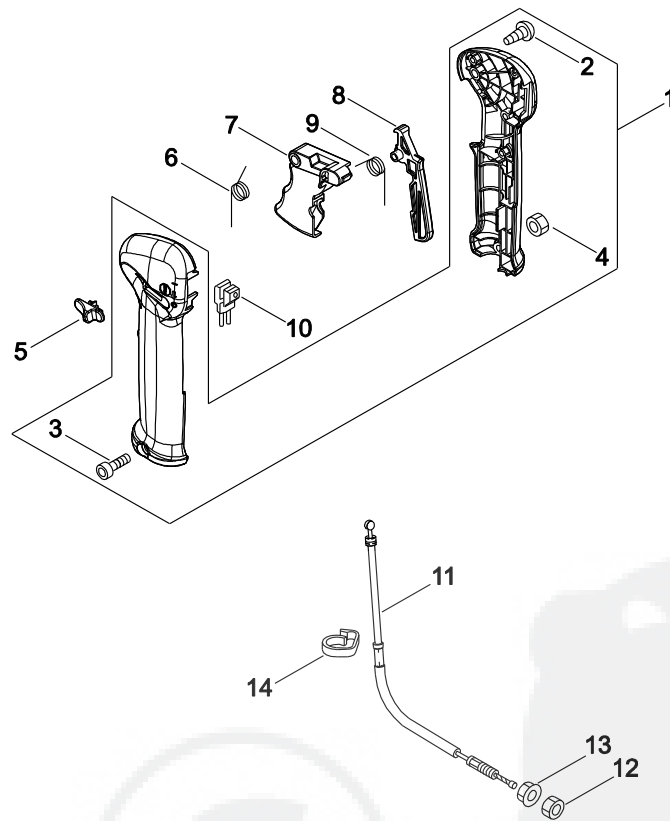
KEY	LV	PART NUMBER	Q'TY	DESCRIPTION	REMARKS	NOTE1	NOTE2
25	+	900242-05010	1	SCREW 5*10			
26		C550-000511	1	SHIELD, BLADE			
27	+	900565-00005	1	NUT	5		
28		P021-034375	1	SHIELD KIT			
29	+	C550-000560	1	SHIELD, BLADE			
30	+	C554-000030	1	KNIFE, CORD	17INCH		
31	+	91118-05018	1	BOLT			
32		X524-005230	1	LABEL	HIGH TORQUE		
33		C550-000541	1	SHIELD, BLADE			
34		91121-05025	1	BOLT, FLANGE	10.9 SILVER		
35		900562-00005	1	NUT, LOCK	5		
36		C552-000200	1	PLATE, SHIELD			
37		91316-04010	1	SCREW	M4*10		
38		V203-001980	4	BOLT, 5			

## 11. MAIN PIPE, HANDLE



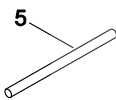
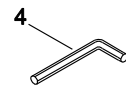
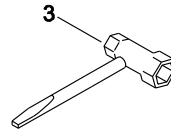
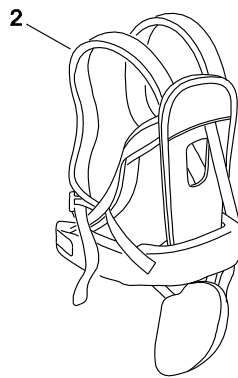
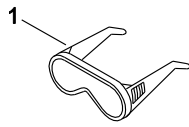
KEY	LV	PART NUMBER	Q'TY	DESCRIPTION	REMARKS	NOTE1	NOTE2
1		P021-049000	1	MAIN PIPE ASY			
2	+	890617-43130	1	LABEL, CAUTION			
3		890152-04930	1	LABEL, CAUTION			
4		C504-000050	1	SHAFT, DRIVE	7*1540		
5		P021-013580	1	RING, HARNESS KIT			
6	+	301015-05330	1	HOOK, BAND			
7	+	91121-05012	1	BOLT, FLANGE	10.9 SILVER		
8		C400-000211	1	HANDLE, FRONT			
9		C403-000031	1	GRIP, HANDLE			
10		P021-012822	1	FIXTURE, ASY HANDLE	SRM-2655SI		
11	+	900565-50008	1	NUT			
12	+	91118-05030	3	BOLT			
13	+	C423-000043	1	FIXTURE, HANDLE			
14	+	V299-000110	1	KNOB, FASTENER			
15	+	605014-54230	1	WASHER			
16		224924-52130	2	CLIP	25MM		

## 12. THROTTLE



KEY	LV	PART NUMBER	Q'TY	DESCRIPTION	REMARKS	NOTE1	NOTE2
1		P021-014090	1	GRIP ASY,F-HANDLE			
2	+	900256-04016	3	SCREW 4*16			
3	+	91119-05030	1	BOLT			
4	+	900500-00005	1	NUT 5	5		
5		C463-000020	1	KNOB, LATCH			
6		V452-000360	1	SPRING,TORSION			
7		C450-000270	1	CONTROL, THROTTLE			
8		C460-000111	1	LOCKOUT, THROTTLE	70MM		
9		V452-000350	1	SPRING,TORSION			
10		P021-014361	1	SWITCH, ON OFF			
11		V430-002310	1	CABLE,BOWDEN	870+86		
12		900502-00006	1	NUT 6 (3N)	3N6		
13		900518-00006	1	NUT, FLANGE	6		
14		159112-09961	1	CLIP			

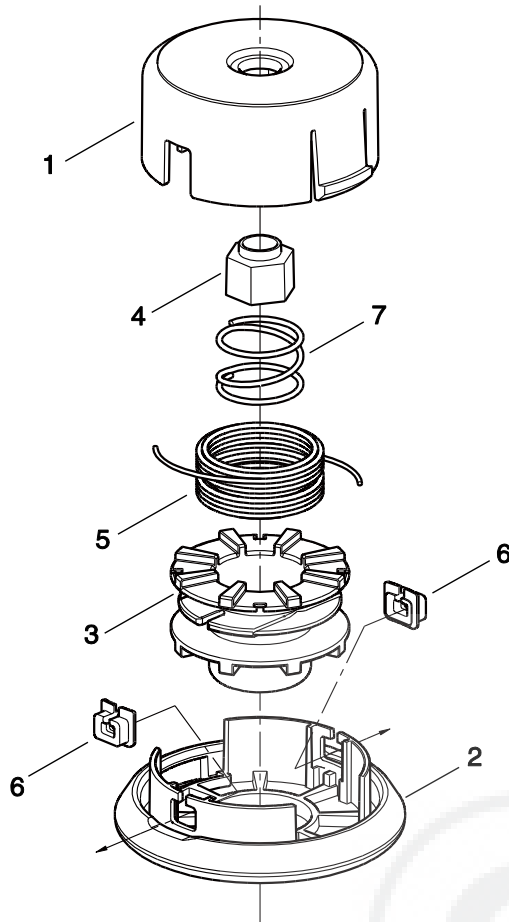
## 13. ACCESSORIES



KEY	LV	PART NUMBER	Q'TY	DESCRIPTION	REMARKS	NOTE1	NOTE2
1		X690-000080	1	GOGGLE	SI CHINA, Z87.1		
2		C062-000194	1	HARNESS, SHOULDER			
3		X602-000020	1	TOOL, WRENCH	17*19 L200		
4		X605-000100	1	TOOL, L WRENCH	4MM M5		
5		X606-000080	1	TOOL, BAR	5*120		



## 14. NYLON LINE CUTTER



KEY	LV	PART NUMBER	QTY	DESCRIPTION	REMARKS	NOTE1	NOTE2
		X047-000321	1	CUTTER,ASM LINE			
1	+	P022-010420	1	HOUSING			
2	+	P022-010410	1	COVER			
3	+	P022-010400	1	BOBBIN			
4	+	P022-023180	1	NUT			
5	+	P022-010380	1	NYLON CODE			
6	+	P022-000710	2	EYELET			
7	+	P022-010370	1	SPRING			

**Index**

<b>Patrs Number</b>	<b>Key No.</b>	<b>Patrs Number</b>	<b>Key No.</b>	<b>Patrs Number</b>	<b>Key No.</b>
100012-16131	1 - 9	900242-05065	5 - 8	A052-000180	9 - 14
100013-35430	1 - 7	900256-04016	12 - 2	A101-000170	1 - 6
100014-53630	1 - 10	900256-05016	1 - 13	A127-000160	2 - 9
100015-03931	1 - 8	900500-00005	8 - 9	A130-000761	1 - 2
100142-12330	3 - 9	900500-00005	12 - 4	A160-000691	1 - 17
100212-42031	2 - 5	900502-00006	12 - 12	A160-000780	1 - 11
100242-42030	2 - 7	900515-00008	3 - 8	A162-000080	1 - 14
125322-07260	6 - 5	900518-00006	12 - 13	A162-000100	1 - 12
125323-08260	6 - 6	900562-00005	10 - 35	A175-000030	9 - 19
125337-08260	6 - 3	900565-00005	10 - 27	A200-000200	5 - 3
125338-13930	6 - 4	900565-50008	11 - 11	A226-001410	5 - 12
125339-42030	6 - 7	900603-00004	3 - 6	A232-000330	5 - 9
125342-52130	6 - 15	900603-00005	9 - 21	A313-000830	8 - 2
125344-13931	6 - 10	900603-50008	10 - 23	A320-000341	8 - 11
125344-52130	6 - 16	900701-00009	10 - 13	A350-000440	7 - 1
129011-52730	5 - 7	900701-00012	4 - 5	A356-000031	7 - 9
131016-55830	7 - 3	900702-00022	10 - 10	A365-000060	7 - 4
131205-19832	7 - 11	900702-00028	4 - 4	A409-001222	3 - 1
132010-40830	7 - 8	900702-00042	4 - 10	A411-000251	3 - 2
132115-55930	7 - 5	900702-00042	10 - 9	A425-000000	3 - 12
145862-40630	8 - 3	900706-00010	10 - 12	A426-000010	3 - 14
156110-04920	3 - 11	900706-00012	10 - 11	A427-000013	3 - 13
156635-43130	2 - 8	900720-00012	10 - 17	A556-000040	4 - 3
159112-09961	12 - 14	900807-06001	4 - 2	A575-000110	4 - 8
159116-21231	2 - 10	900810-00629	10 - 4	C062-000194	13 - 2
162010-04561	3 - 4	900812-06302	10 - 5	C400-000211	11 - 8
175046-56030	4 - 13	900855-06900	10 - 6	C403-000031	11 - 9
175048-05530	4 - 15	900858-06900	10 - 7	C423-000043	11 - 13
175049-56030	4 - 14	91118-05016	2 - 11	C450-000270	12 - 7
177220-42030	9 - 8	91118-05018	10 - 31	C460-000111	12 - 8
177227-42030	9 - 3	91118-05025	9 - 20	C463-000020	12 - 5
177228-27030	9 - 11	91118-05028	4 - 9	C504-000050	11 - 4
177236-61830	9 - 9	91118-05030	11 - 12	C534-000940	10 - 3
224924-52130	11 - 16	91118-06025	10 - 24	C535-000920	10 - 14
301015-05330	11 - 6	91119-05030	12 - 3	C535-000930	10 - 15
605014-54230	11 - 15	91121-05012	11 - 7	C550-000511	10 - 26
610314-52130	10 - 18	91121-05016	1 - 16	C550-000541	10 - 33
610320-52130	10 - 20	91121-05016	8 - 12	C550-000560	10 - 29
610352-56830	10 - 16	91121-05025	10 - 34	C552-000200	10 - 36
610434-50031	10 - 22	91141-05012	1 - 15	C554-000030	10 - 30
699229-56830	10 - 19	91316-04010	10 - 37	P005-000010	6 - 2
890152-04930	11 - 3	91367-04010	8 - 5	P005-000100	6 - 9
890332-52730	5 - 10	92280-05000	8 - 7	P005-000190	6 - 12
890617-43130	11 - 2	94035-36201	2 - 2	P005-000200	6 - 14
900106-05008	1 - 18	94035-36201	2 - 4	P005-000250	6 - 21
900162-05025	1 - 4	A011-000434	1 - 1	P005-000270	6 - 23
900162-05025	5 - 4	A021-001742	5 - 1	P005-000280	6 - 24
900162-05028	2 - 3	A021-001742	6 - 1	P005-000510	6 - 17
900242-05010	10 - 25	A051-000941	9 - 1	P005-000520	6 - 18

**Index**

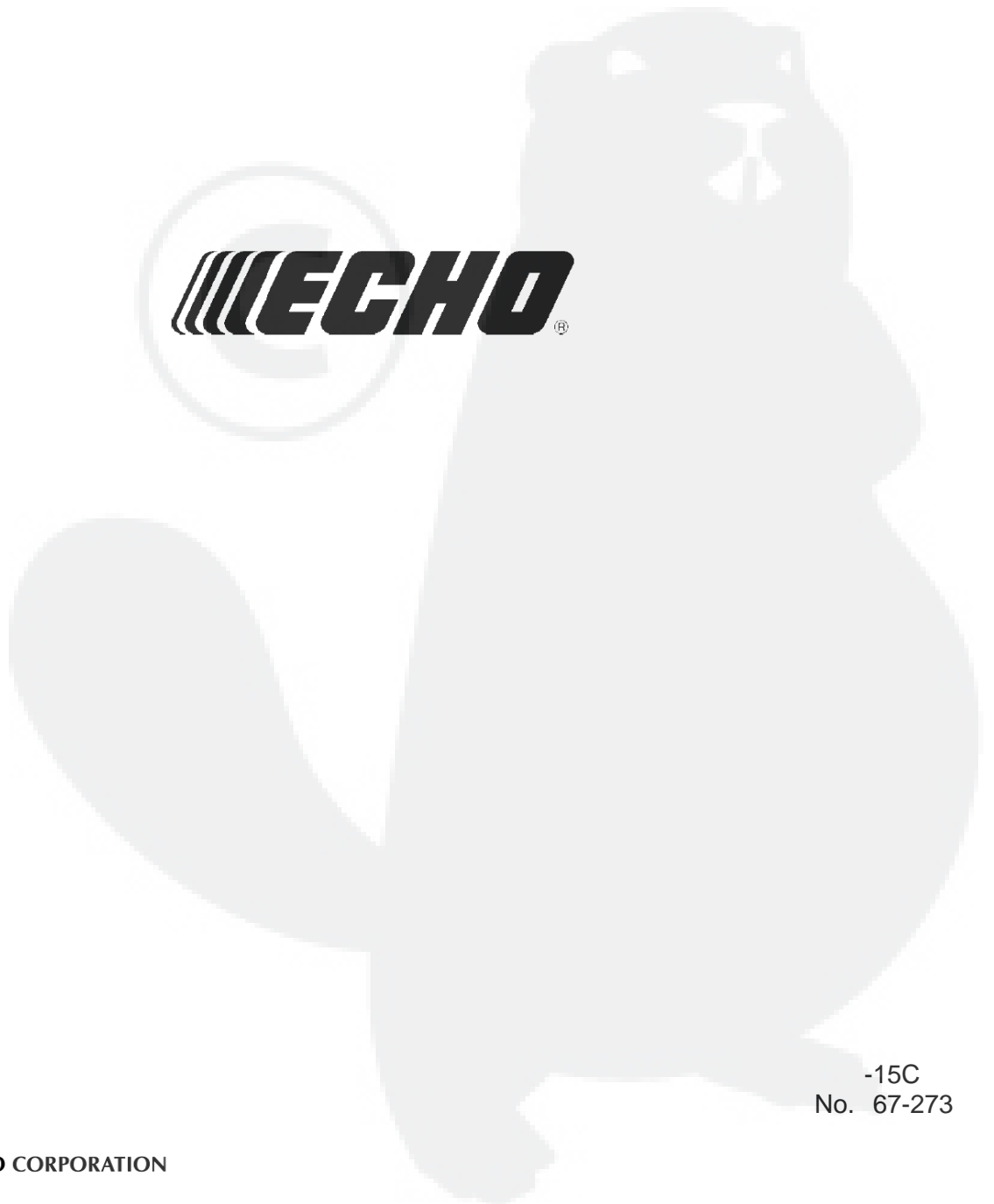
<b>Patrs Number</b>	<b>Key No.</b>	<b>Patrs Number</b>	<b>Key No.</b>	<b>Patrs Number</b>	<b>Key No.</b>
P005-001000	6 - 25	V202-000090	4 - 7		
P005-001240	6 - 11	V202-000090	9 - 13		
P005-001250	6 - 26	V202-000130	3 - 7		
P005-001270	6 - 28	V203-000120	8 - 6		
P005-001290	6 - 27	V203-001980	10 - 38		
P005-001890	6 - 19	V299-000110	11 - 14		
P005-001900	6 - 22	V299-000250	5 - 11		
P005-002070	6 - 8	V313-000090	10 - 8		
P005-002230	6 - 13	V322-000031	3 - 5		
P005-003110	6 - 20	V430-002310	12 - 11		
P021-004480	5 - 6	V451-000400	4 - 12		
P021-009771	1 - 5	V452-000350	12 - 9		
P021-010801	2 - 1	V452-000360	12 - 6		
P021-011580	8 - 1	V452-001310	10 - 21		
P021-012210	7 - 2	V470-000580	7 - 6		
P021-012822	11 - 10	V471-001180	7 - 7		
P021-013530	4 - 1	V475-003380	3 - 3		
P021-013580	11 - 5	V490-001230	7 - 10		
P021-014090	12 - 1	V490-001240	7 - 12		
P021-014361	12 - 10	V491-000180	4 - 6		
P021-034375	10 - 28	V505-000050	2 - 6		
P021-035820	10 - 1	X047-000321	14 -		
P021-046900	4 - 11	X502-000890	9 - 18		
P021-049000	11 - 1	X505-002310	1 - 20		
P022-000710	14 - 6	X524-005230	10 - 32		
P022-002100	9 - 17	X547-001800	1 - 19		
P022-006510	9 - 16	X602-000020	13 - 3		
P022-006850	9 - 15	X605-000100	13 - 4		
P022-008260	9 - 10	X606-000080	13 - 5		
P022-008270	9 - 7	X690-000080	13 - 1		
P022-010370	14 - 7				
P022-010380	14 - 5				
P022-010400	14 - 3				
P022-010410	14 - 2				
P022-010420	14 - 1				
P022-022010	9 - 4				
P022-023180	14 - 4				
P022-027980	9 - 5				
P022-028000	9 - 6				
P022-037670	9 - 12				
P022-037680	9 - 2				
V000-000110	10 - 2				
V100-000210	1 - 3				
V103-000210	5 - 5				
V103-000270	5 - 2				
V104-000780	8 - 10				
V104-000790	8 - 4				
V135-000030	3 - 10				
V150-001760	8 - 8				

# YAMABIKO CORPORATION

7-2 SUEHIROCHO 1-CHOME, OHME, TOKYO 198-8760, JAPAN  
PHONE: 81-428-32-6118. FAX: 81-428-32-6145.

The ECHO logo consists of the word "ECHO" in a bold, italicized, sans-serif font. To the left of the text is a circular emblem containing a stylized 'E' shape. A registered trademark symbol (®) is located at the end of the word.

**ECHO®**



-15C  
No. 67-273