



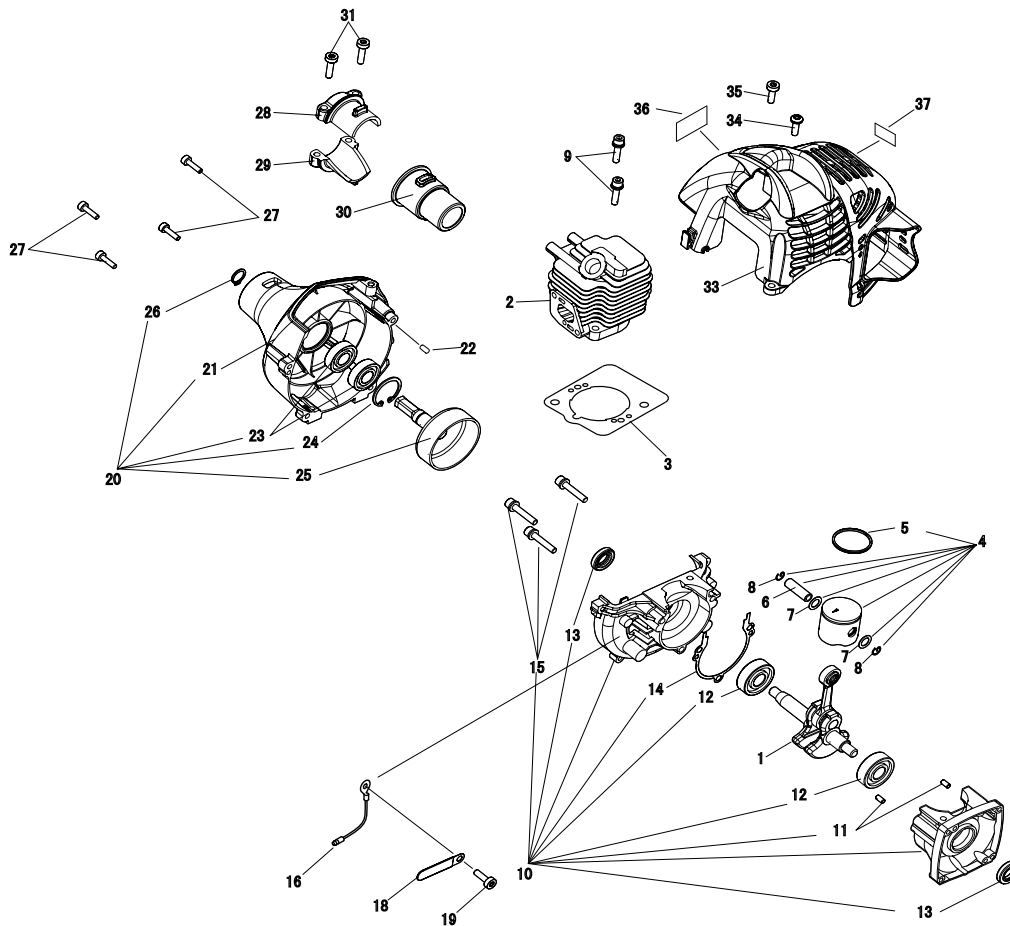
PARTS CATALOG

GRASS-TRIMMER / BRUSHCUTTER

SRM-235ES/U(37)

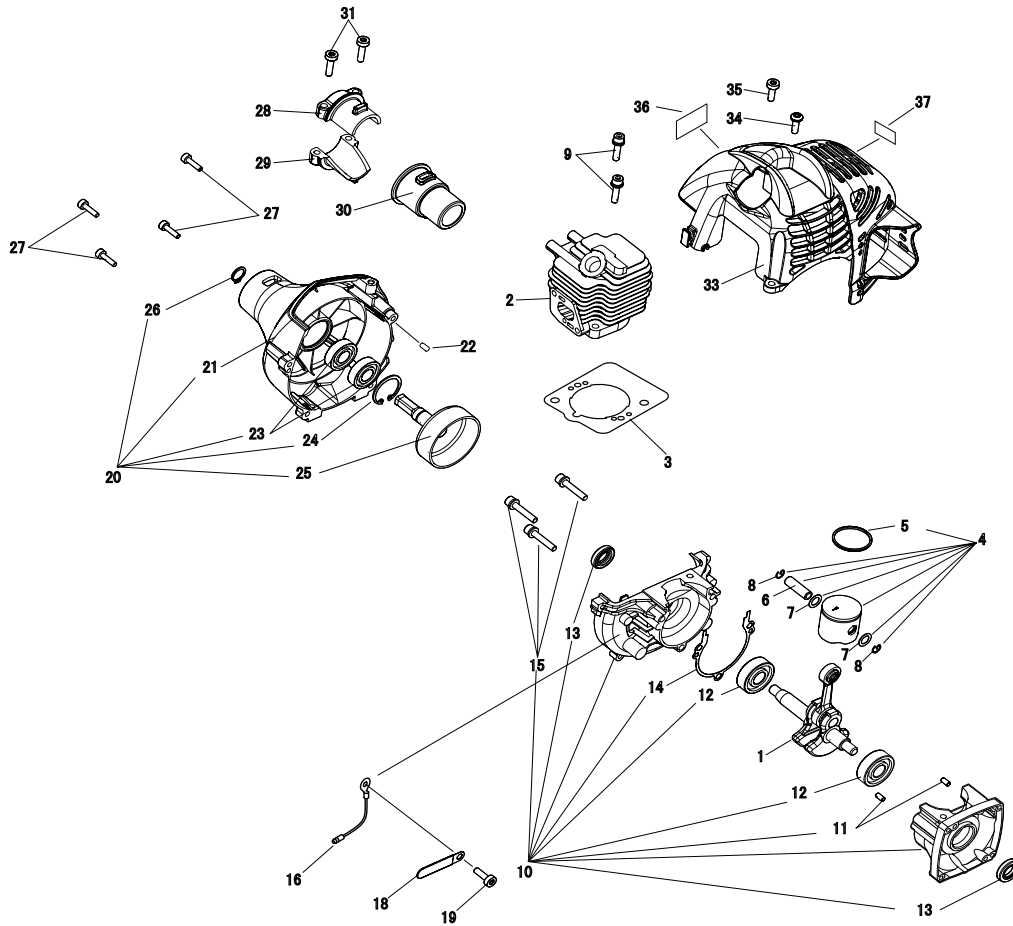
37006151 - 37007050

1. CYLINDER, CRANKCASE, PISTON



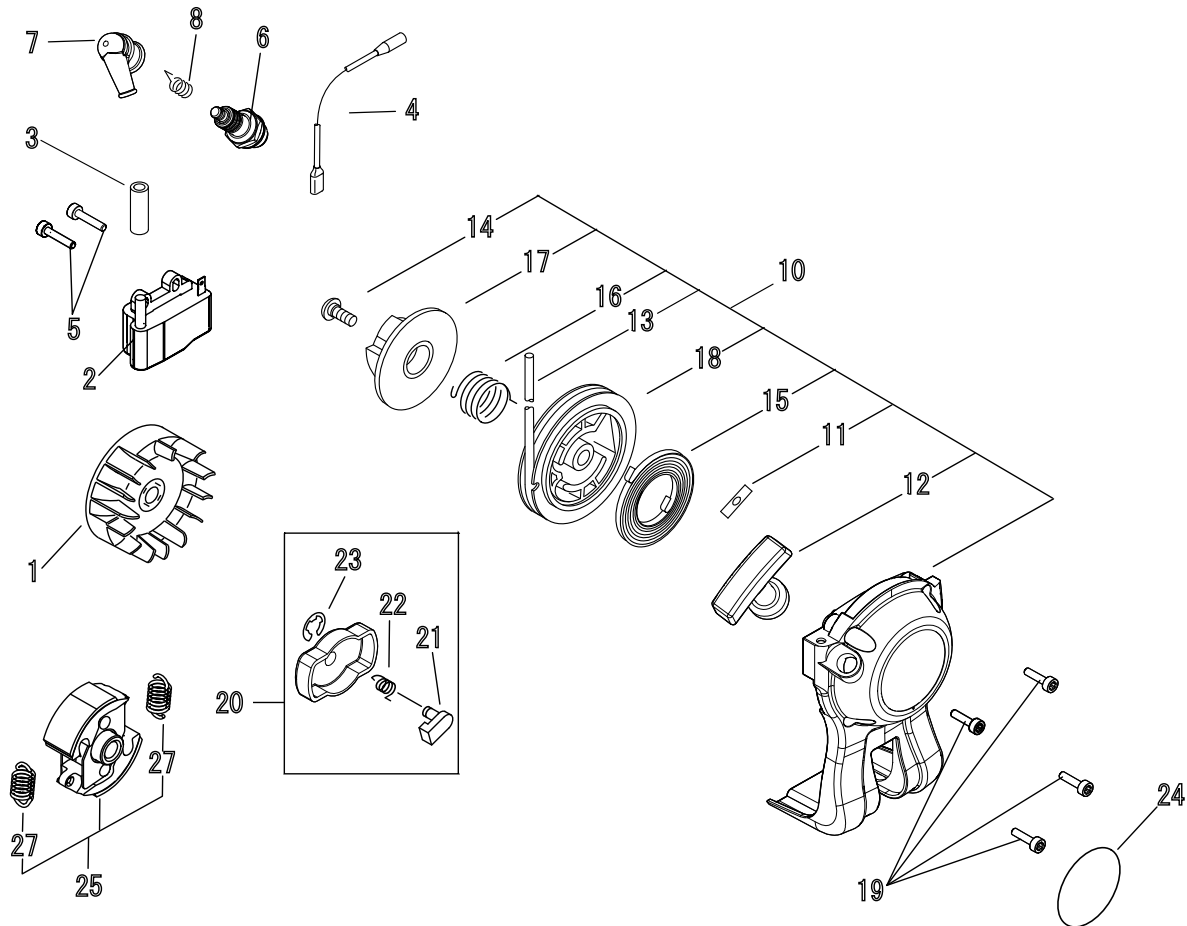
KEY	LV	PART NUMBER	Q'TY	DESCRIPTION	REMARKS	NOTE1	NOTE2
1		A011-000101	1	CRANKSHAFT,ASM			
2		A130-000540	1	CYLINDER			
3		V100-000160	1	GASKET,CYL			
4		P021-007712	1	PISTON KIT			
5	+	A101-000090	1	RING,PISTON			
6	+	100013-11520	1	PIN,PISTON			
7	+	100014-11520	2	SPACER,PISTON PIN			
8	+	100015-04630	2	CIRCLIP,PISTON PIN			
9		900162-05022	2	BOLT, H.S. 5*22	5*22 W,SW		
10		100204-52132	1	CRANKCASE KIT			
11	+	100215-03930	2	PIN, DOWEL			
12	+	94035-36201	2	BEARING BALL	6201X3JR2C3		
13	+	100212-42031	2	OILSEAL	ISCD 12*22*4.5		
14	+	100242-42030	1	GASKET, CRANKCASE			
15	+	900162-05028	3	BOLT, H.S. 5*28	5*28 W,SW		
16		156635-43130	1	LEAD, GROUND			
18		159116-21231	1	CLAMP			
19		V805-000130	1	BOLT, TORX 5	TB-5*10 10.9		
20		P021-016170	1	COVER,FAN ASSY			
21	+	A172-000860	1	COVER,FAN			
22	+	100215-03930	2	PIN, DOWEL			
23	+	900807-06001	2	BEARING, BALL 6001	6001V(LB)		
24	+	900702-00028	1	CIRCLIP 28	CR-28		
25	+	A556-000530	1	DRUM, CLUTCH			
26	+	900701-00012	1	CIRCLIP 12	CS-12		

1. CYLINDER, CRANKCASE, PISTON



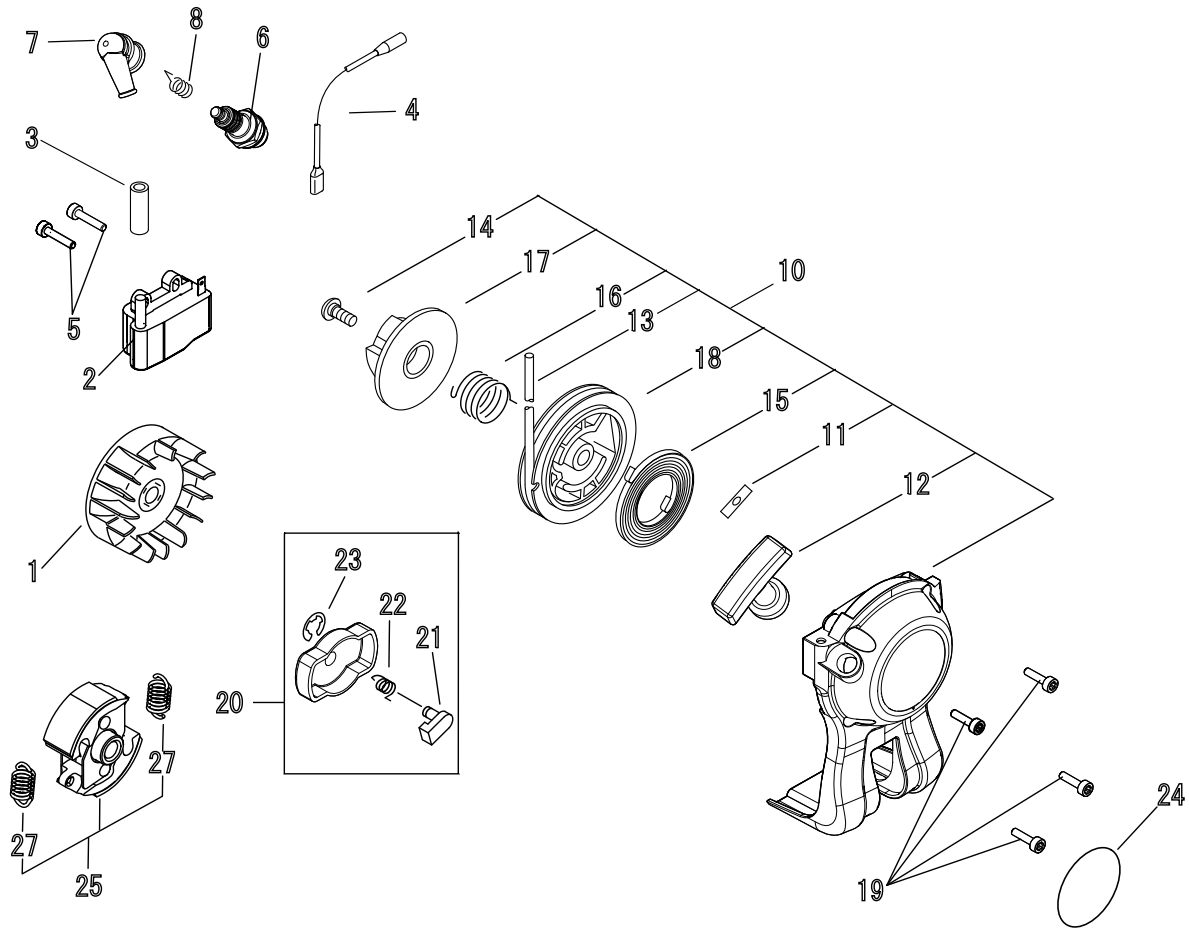
KEY	LV	PART NUMBER	Q'TY	DESCRIPTION	REMARKS	NOTE1	NOTE2
27		V804-000060	4	BOLT, TORX 4	TB-4*16 10.9		
28		610922-27432	1	HOLDER			
29		610923-55230	1	HOLDER			
30		610910-55230	1	CUSHION			
31		V805-000160	2	BOLT, TORX 5	TB-5*20 10.9		
33		A160-001090	1	COVER,CYLINDER			
34		V805-000000	1	BOLT, TORX 5	TT-5*16 DG 10.9		
35		V805-000150	1	BOLT, TORX 5	TB-5*16 10.9		
36		X547-001430	1	LABEL,ECHO	ECHO + SRM-235ES		
37		X505-002310	1	LABEL,CAUTION	HOT CAUTION		

2. STARTER, MAGNETO, CLUTCH



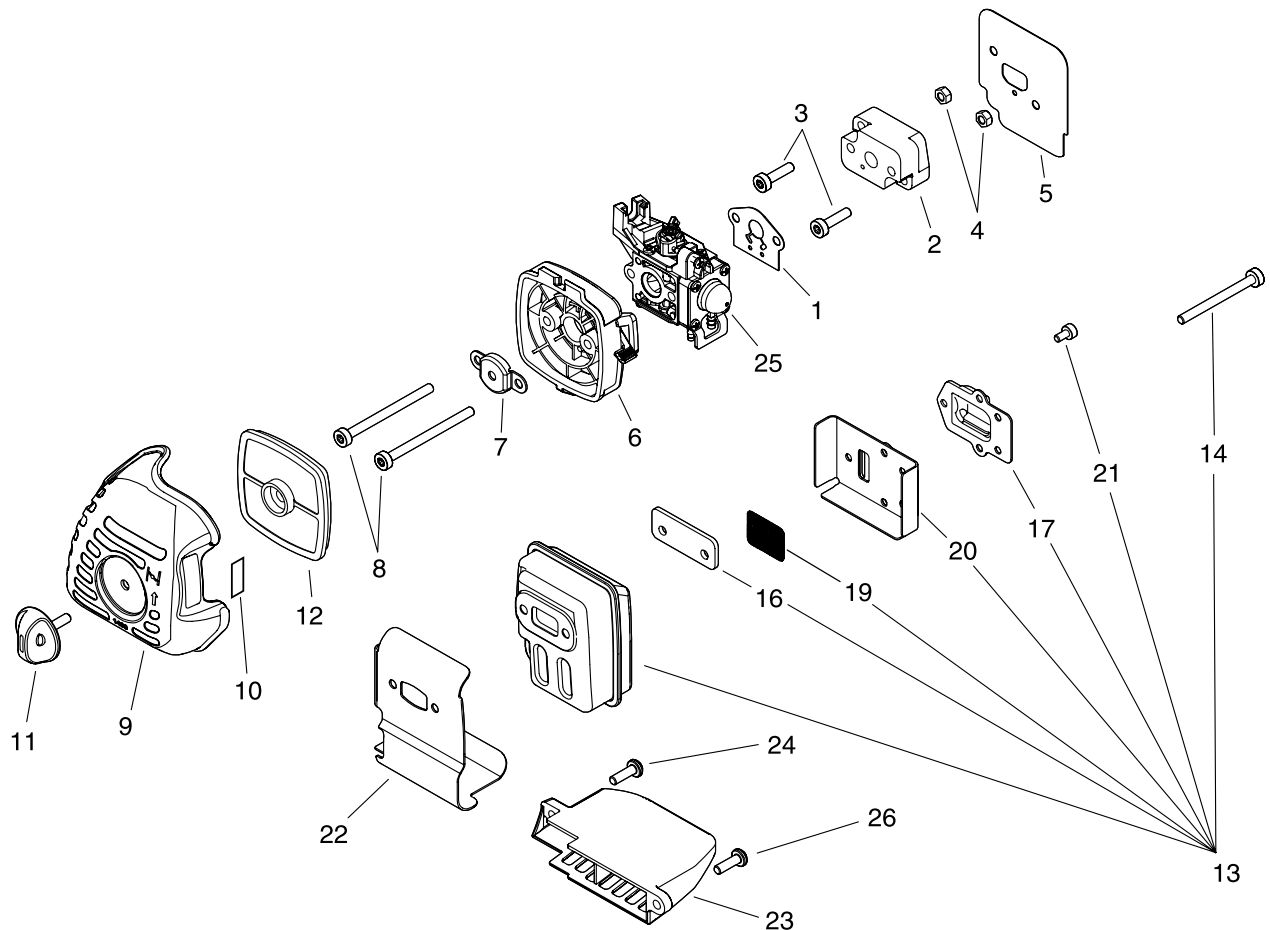
KEY	LV	PART NUMBER	Q'TY	DESCRIPTION	REMARKS	NOTE1	NOTE2
1		A409-000210	1	ROTOR,MAGNETO			
2		A411-000130	1	COIL,IGNITION			
3		V475-004160	1	TUBE	7*8.6*65 HST-10		
4		V485-001120	1	LEAD	L210 #187 CB104		
5		V804-000070	2	BOLT, TORX 4	TB-4*20 12.9		
6		A425-000000	1	SPARKPLUG	BPMR8Y		
7		A427-000013	1	CAP,SPARK PLUG			
8		A426-000010	1	TERMINAL,SPARKPLUG			
10		A051-001311	1	STARTER.RECOIL ASY			
11	+	177246-11120	1	CLIP, STARTER ROPE			
12	+	177228-27030	1	GRIP, STARTER			
13	+	P022-019990	1	ROPE, STARTER			
14	+	177236-61830	1	SCREW			
15	+	P022-019680	1	SPRING, SPIRAL			
16	+	P022-008270	1	SPRING,DAMPER			
17	+	P022-008280	1	PLATE, CAM			
18	+	P022-006830	1	DRUM			
19		V804-000060	4	BOLT, TORX 4	TB-4*16 10.9		
20		A052-000180	1	PULLEY,ASM STARTER			
21	+	P022-006850	2	PAWL, STARTER			
22	+	P022-006510	2	SPRING, RETURN			
23	+	P022-002100	2	E-RING	4		
24		X502-000330	1	LABEL,ECHO	ECHO		
25		175000-52734	1	CLUTCH ASY			

2. STARTER, MAGNETO, CLUTCH



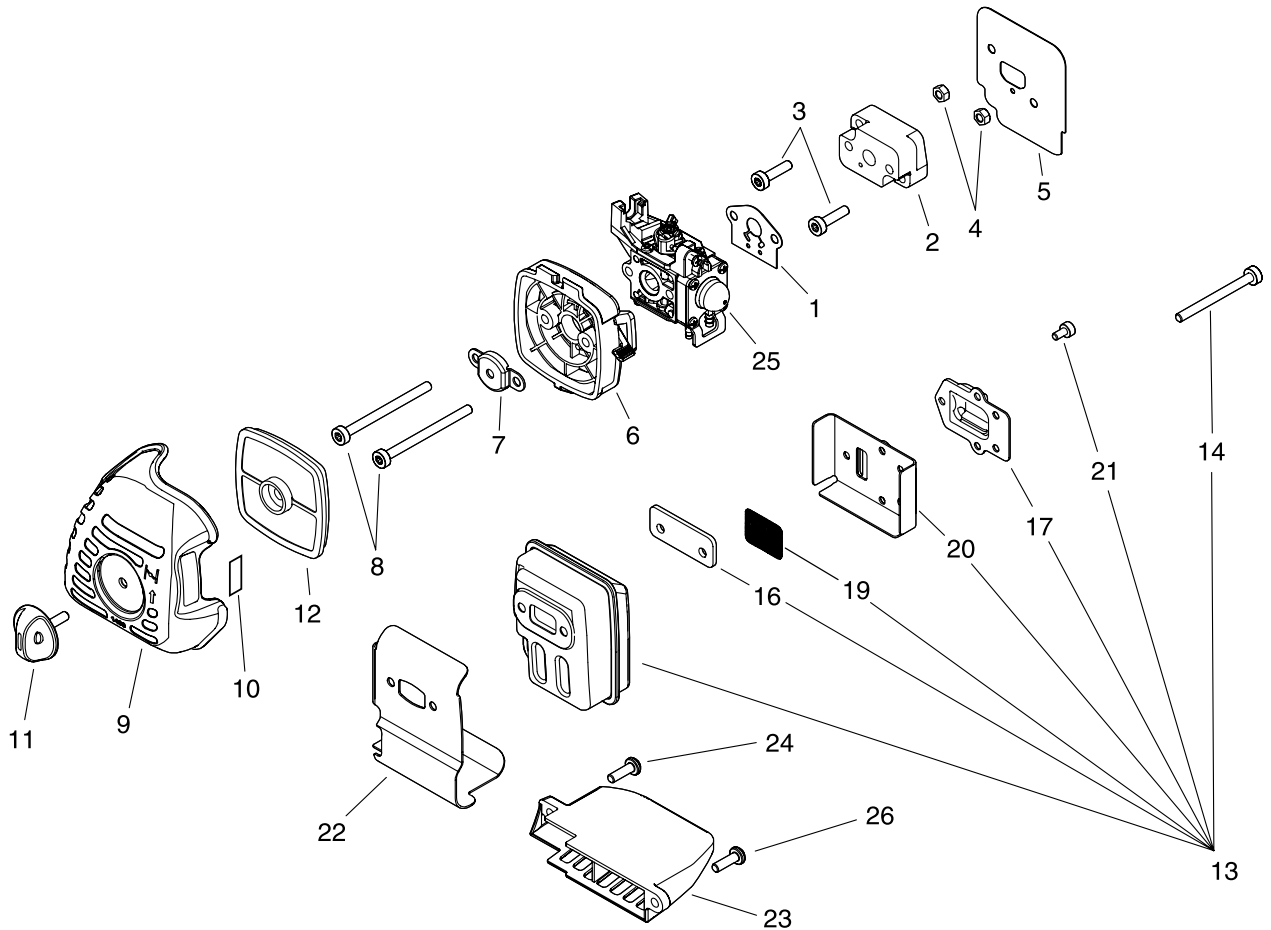
KEY	LV	PART NUMBER	Q'TY	DESCRIPTION	REMARKS	NOTE1	NOTE2
27	+	175018-52131	2	SPRING, CLUTCH			

3. AIR CLEANER, CARBURETOR, MUFFLER



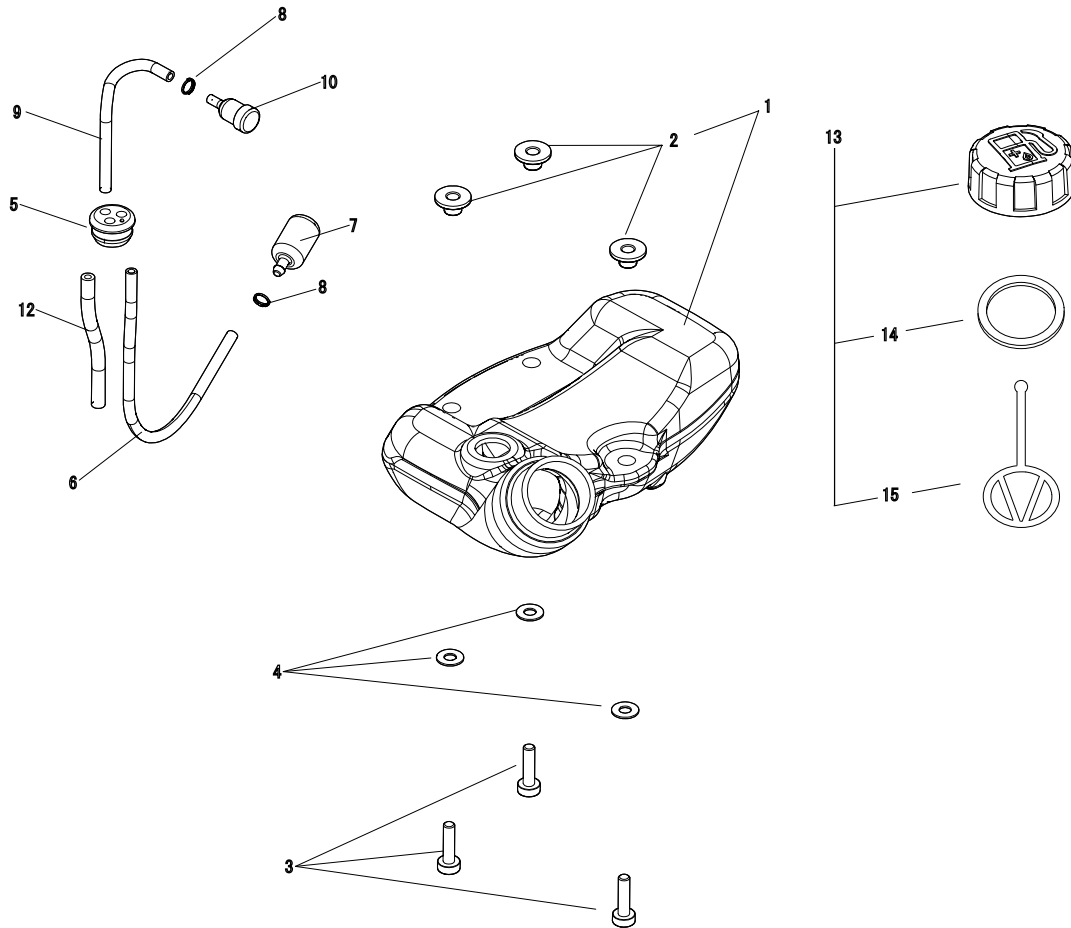
KEY	LV	PART NUMBER	Q'TY	DESCRIPTION	REMARKS	NOTE1	NOTE2
1		V103-000480	1	GASKET,INTAKE	ASK4602		
2		130017-44331	1	INSULATOR			
3		V805-000160	2	BOLT, TORX 5	TB-5*20 10.9		
4		900500-00005	2	NUT 5	5		
5		V103-000490	1	GASKET,INTAKE	NP4200		
6		P021-012870	1	CLEANER CASE ASY			
7		129011-52730	1	PLATE, PREVENT			
8		V805-000100	2	BOLT, TORX 5	TB-5*65 10.9		
9		A232-000480	1	LID,CLEANER			
10		890332-52730	1	LABEL, CHOKE			
11		V299-000250	1	KNOB,FASTENER			
12		130310-54130	1	FILTER, AIR			
12		A226-001410	1	ELEMENT,AIR FILTER			
13		P021-016652	1	MUFFLER ASY			
14	+	V805-000190	2	BOLT, TORX 5	TB-5*55 12.9		
16	+	V150-000371	1	PLATE,EYE			
17	+	A313-000600	1	GUIDE,EXH			
19	+	145862-40630	1	SCREEN, MUFFLER			
20	+	V104-001760	1	GASKET,EXHAUST			
21	+	V804-000080	5	BOLT, TORX 4	TB4*8		
22		V104-000850	1	GASKET,EXHAUST	T1.0		
23		A320-000480	1	COVER,MUFFLER			
24		V805-000000	1	BOLT, TORX 5	TT-5*16 DG 10.9		
25		A021-001690	1	CARBURETOR,DIAPHRAGM	ZAMA RB-X1746		

3. AIR CLEANER, CARBURETOR, MUFFLER



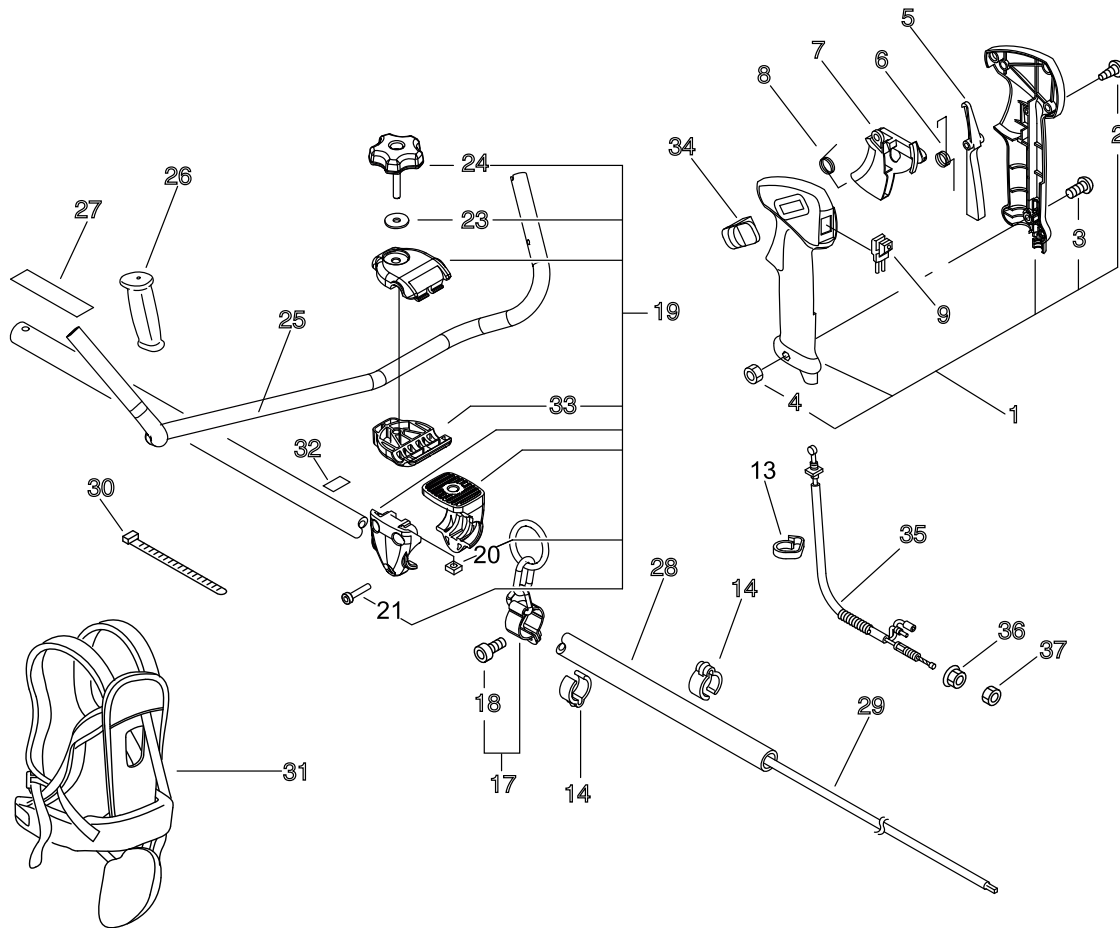
KEY	LV	PART NUMBER	Q'TY	DESCRIPTION	REMARKS	NOTE1	NOTE2
26		V805-000150	1	BOLT, TORX 5	TB-5*16 10.9		

4. FUEL TANK



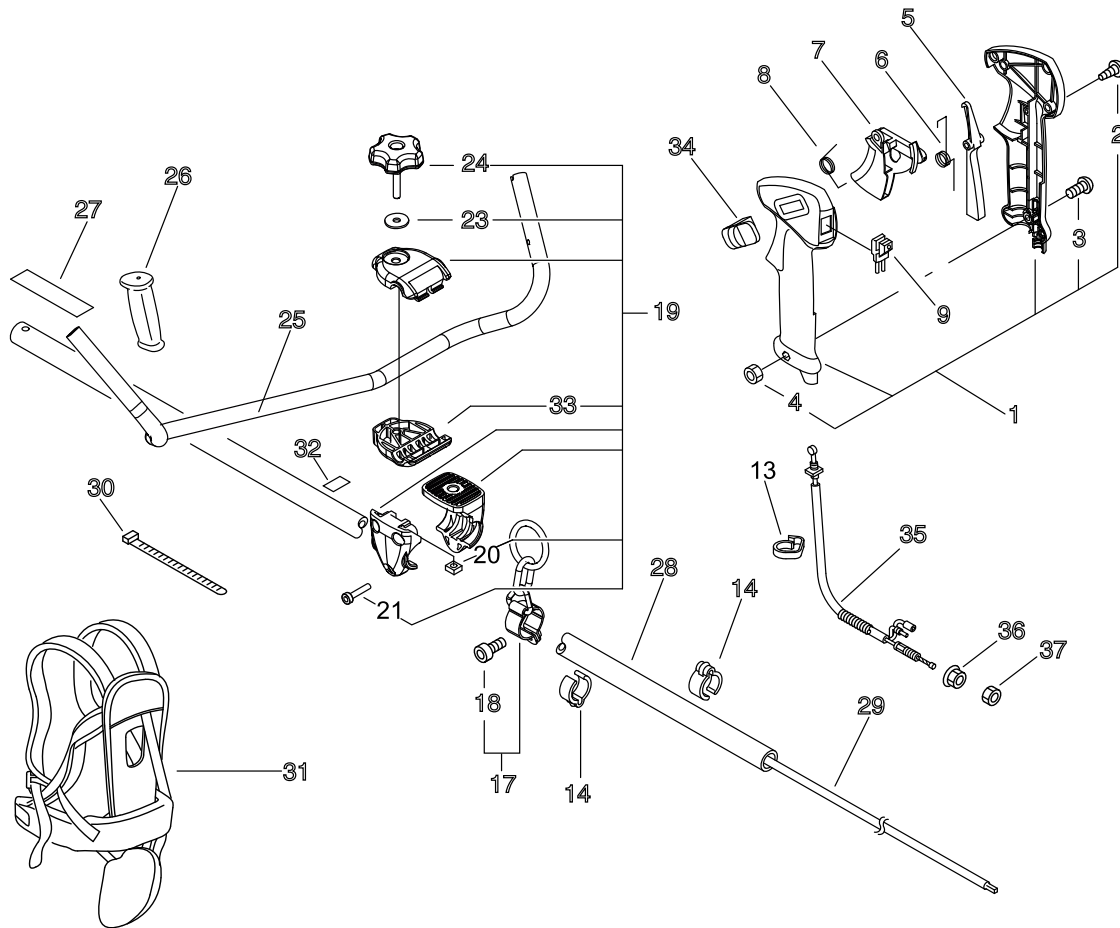
KEY	LV	PART NUMBER	Q'TY	DESCRIPTION	REMARKS	NOTE1	NOTE2
1		A350-000801	1	TANK, FUEL			
2	+	V353-000231	3	COLLAR,5	16*5.5 L6 T2		
3		V805-000160	3	BOLT, TORX 5	TB-5*20 10.9		
4		900603-00005	3	WASHER 5	5.5*12*0.8		
5		132115-46730	1	GROMMET, FUEL			
6		V471-001230	1	PIPE	3*5*210 NBR		
7		131205-07320	1	STRAINER, FUEL			
8		132013-09820	2	CLIP	6MM		
9		V471-001210	1	PIPE	3*5*90 NBR		
10		A356-000030	1	VALVE,CHECK			
12		132012-56030	1	PIPE	3*6*80 YL		
13		P021-012210	1	CAP,FUEL ASY			
14	+	131016-55830	1	GASKET, FUEL CAP			
15	+	A365-000060	1	CONNECTOR,CAP	L=123		

5. U-HANDLE



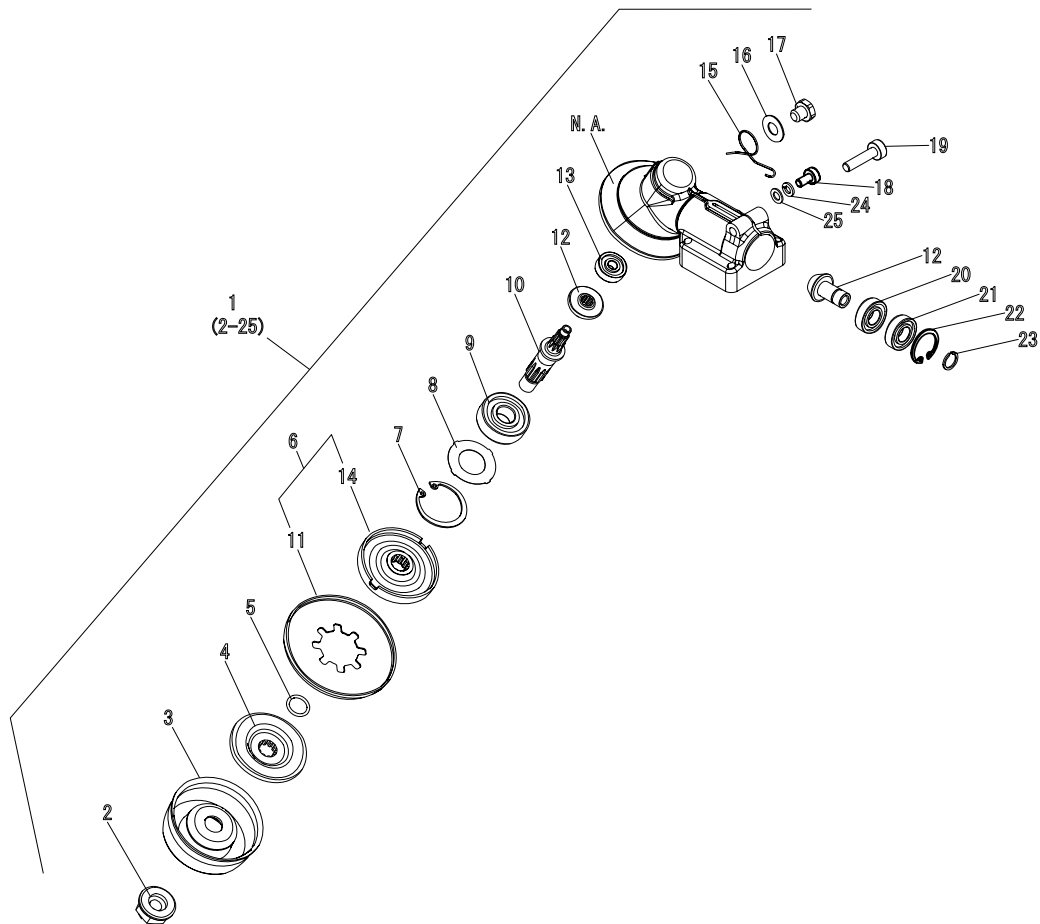
KEY	LV	PART NUMBER	Q'TY	DESCRIPTION	REMARKS	NOTE1	NOTE2
1		P021-016210	1	GRIP ASY,F-HANDLE			
2	+	V804-000010	3	BOLT, TORX 4	TT-4*16 DG 10.9		
3	+	V805-000050	1	BOLT, TORX 5	TB-5*30 10.9		
4	+	900500-00005	1	NUT 5	5		
5		C460-000111	1	LOCKOUT, THROTTLE	70MM		
6		V452-000350	1	SPRING,TORSION			
7		C450-000270	1	CONTROL, THROTTLE			
8		V452-000360	1	SPRING,TORSION			
9		P021-016050	1	SWITCH, IGNITION			
13		159112-09961	1	CLIP			
14		224924-52130	2	CLIP	25MM		
17		P021-016220	1	HOOK ASS'Y			
18	+	V805-000140	1	BOLT, TORX 5	TB-5*12 10.9		
19		P021-016231	1	FIXTURE,ASY HANDLE			
20	+	900565-50008	1	NUT			
21	+	V805-000170	3	BOLT, TORX 5	TB-5*25 10.9		
23	+	605014-54230	1	WASHER			
24	+	V299-000110	1	KNOB,FASTENER			
33	+	C423-000042	1	FIXTURE,HANDLE			
25		C400-000000	1	HANDLE,FRONT			
26		C403-000031	1	GRIP,HANDLE			
27		890617-43130	1	LABEL,CAUTION			
28		610206-28230	1	HOUSING ASS'Y D,SFT.			
29		610018-27830	1	SHAFT, DRIVE			
31		C062-000192	1	HARNES,SHOULDER			

5. U-HANDLE



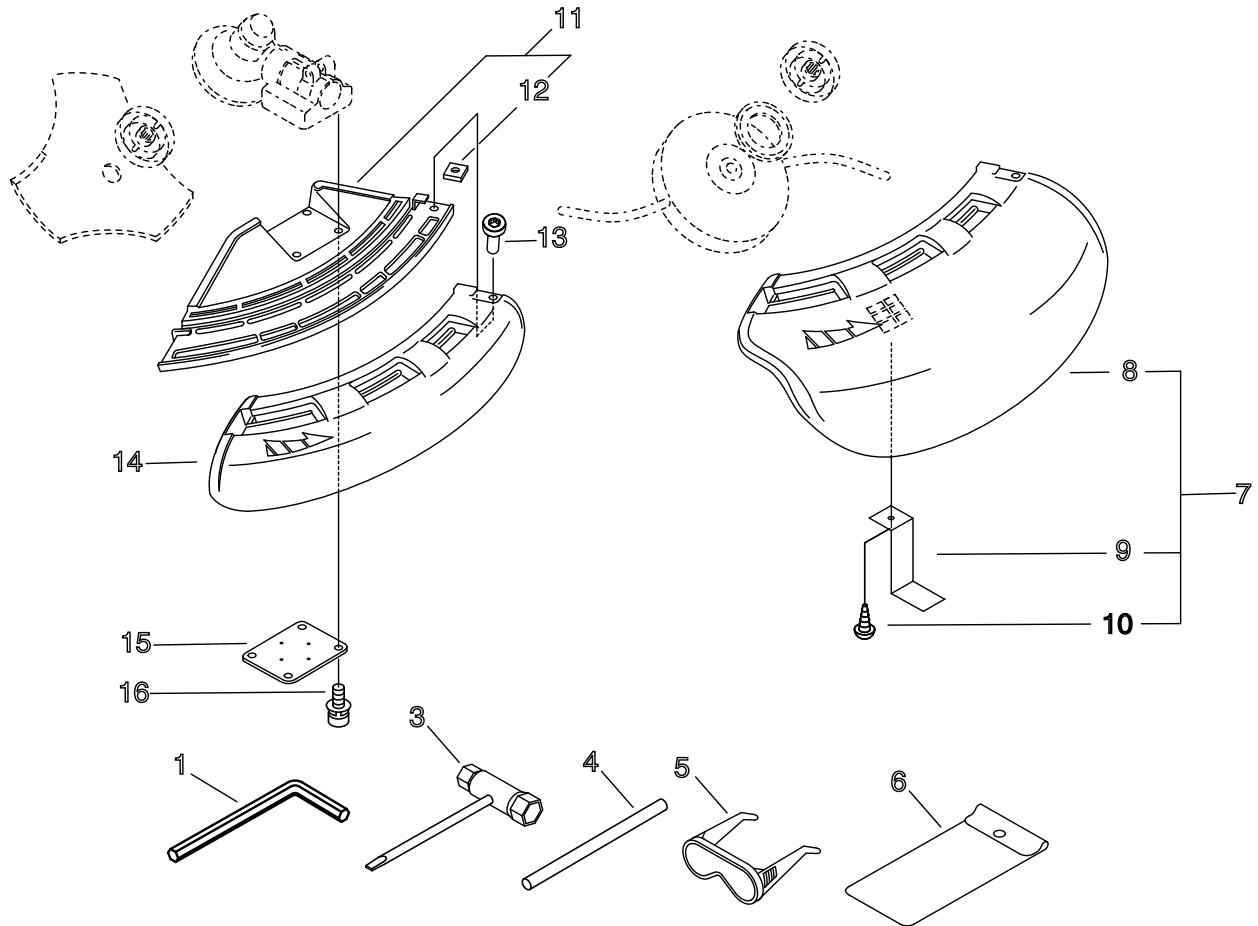
KEY	LV	PART NUMBER	Q'TY	DESCRIPTION	REMARKS	NOTE1	NOTE2
32		890152-04930	1	LABEL, CAUTION			
34		C463-000020	1	KNOB, LATCH			
35		V430-002330	1	CABLE, BOWDEN	960+90		
36		900518-00006	1	NUT, FLANGE	6		
37		900502-00006	1	NUT 6 (3N)	3N6		

6. GEAR CASE



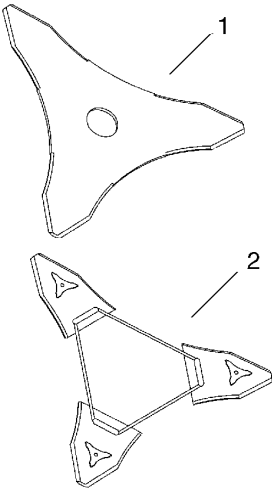
KEY	LV	PART NUMBER	Q'TY	DESCRIPTION	REMARKS	NOTE1	NOTE2
1		P021-036480	1	HOUSING ASSY,GEAR			
2	+	610320-52130	1	NUT 10			
3	+	699229-56830	1	PLATE, COVER			
4	+	610314-52130	1	PLATE, ADAPTER (L)			
5	+	900720-00012	1	O-RING 12	P-12		
6	+	610313-52932	1	FIXTURE, BLADE			
11	++	610352-56830	1	PLATE, CUP			
14	++	610313-52132	1	FIXTURE, BLADE			
7	+	900702-00032	1	CIRCLIP 32	CR-32		
8	+	610444-56830	1	WASHER			
9	+	900812-06201	1	BEARING, BALL 6201	6201DDU(LLU)		
10	+	610310-56831	1	SHAFT, P.T.O.			
12	+	610300-40830	1	GEAR SET			
13	+	900810-00626	1	BEARING, BALL 626	626		
15	+	V452-001310	1	SPRING, TORSION			
16	+	900603-50008	1	WASHER	8.5*18*0.8T		
17	+	610434-50031	1	BOLT 8*8	M8*8		
18	+	V805-000130	1	BOLT, TORX 5	TB-5*10 10.9		
19	+	V806-000020	1	BOLT, TORX 6	TB-6*25 10.9		
20	+	900855-06900	1	BEARING, BALL 6900	6900		
21	+	900858-06900	1	BEARING, BALL 6900Z	6900Z		
22	+	900702-00022	1	CIRCLIP 22	CR-22		
23	+	900706-00010	1	CIRCLIP 10	WR-10		
24	+	900605-00005	1	WASHER, SPRING 5	5		
25	+	900600-00005	1	WASHER 5	5		

7. SHIELD

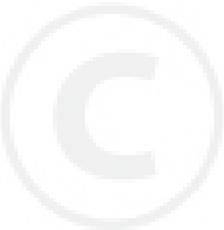


KEY	LV	PART NUMBER	Q'TY	DESCRIPTION	REMARKS	NOTE1	NOTE2
1		X605-000050	1	TOOL,L WRENCH			
3		X602-000020	1	TOOL,WRENCH	17*19 L200		
4		X606-000080	1	TOOL,BAR	5*120		
5		X690-000050	1	GOGGLE	GOGGLE + NOTE		
6		898510-07130	1	BAG, TOOL			
7		P021-016242	1	SHIELD,BLADE(W/KNIFE			
8	+	C550-000082	1	SHIELD,BLADE			
		C550-000530	1	SHIELD,BLADE			
9	+	C554-000000	1	KNIFE,CORD			
10	+	V805-000240	1	BOLT, TORX 5	TT-5*12 DG 10.9		
11		C550-000102	1	SHIELD,BLADE			
12	+	900565-00005	1	NUT	5		
13		V805-000160	1	BOLT, TORX 5	TB-5*20 10.9		
14		C550-000092	1	SHIELD,BLADE			
		C550-000550	1	SHIELD,BLADE			
15		C552-000200	1	PLATE, SHIELD			
16		V805-000260	4	BOLT, TORX 5	TB-5*25 半10.9		

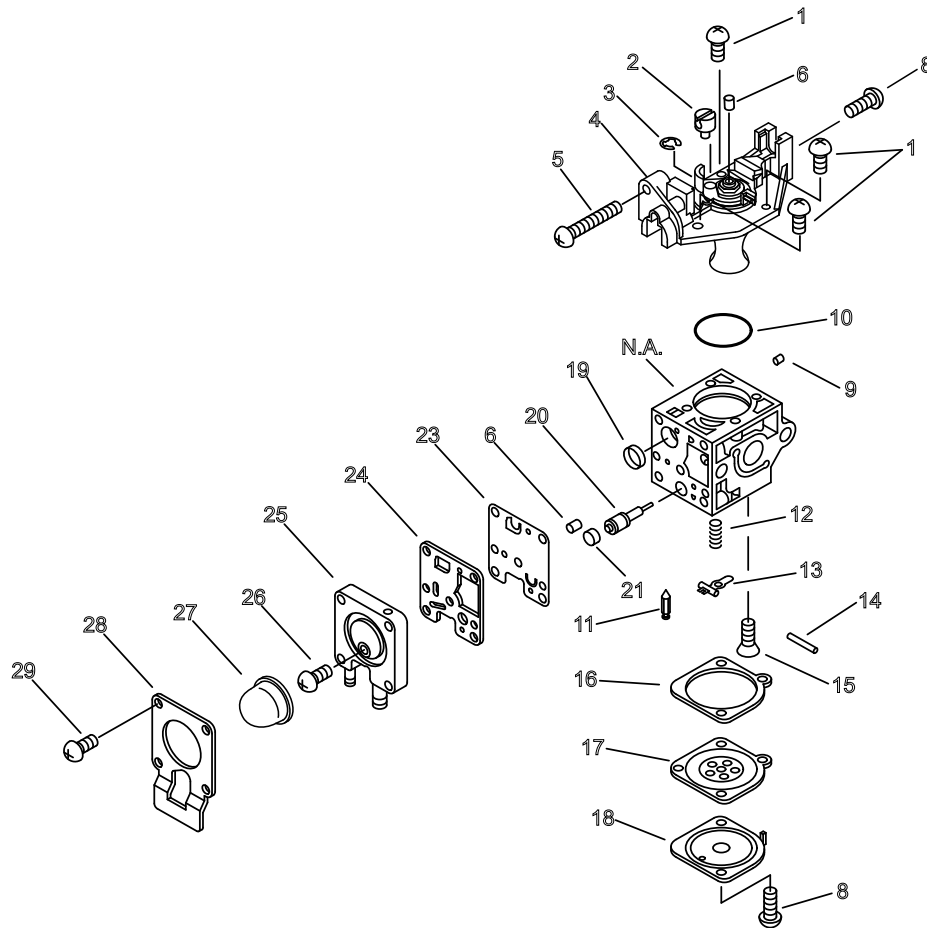
8. CUTTER



KEY	LV	PART NUMBER	Q'TY	DESCRIPTION	REMARKS	NOTE1	NOTE2
1		P021-014310	1	SAW,BUSH CUTTER	230*T3.0		
2		X495-000270	1	SCABBARD,BLADE			

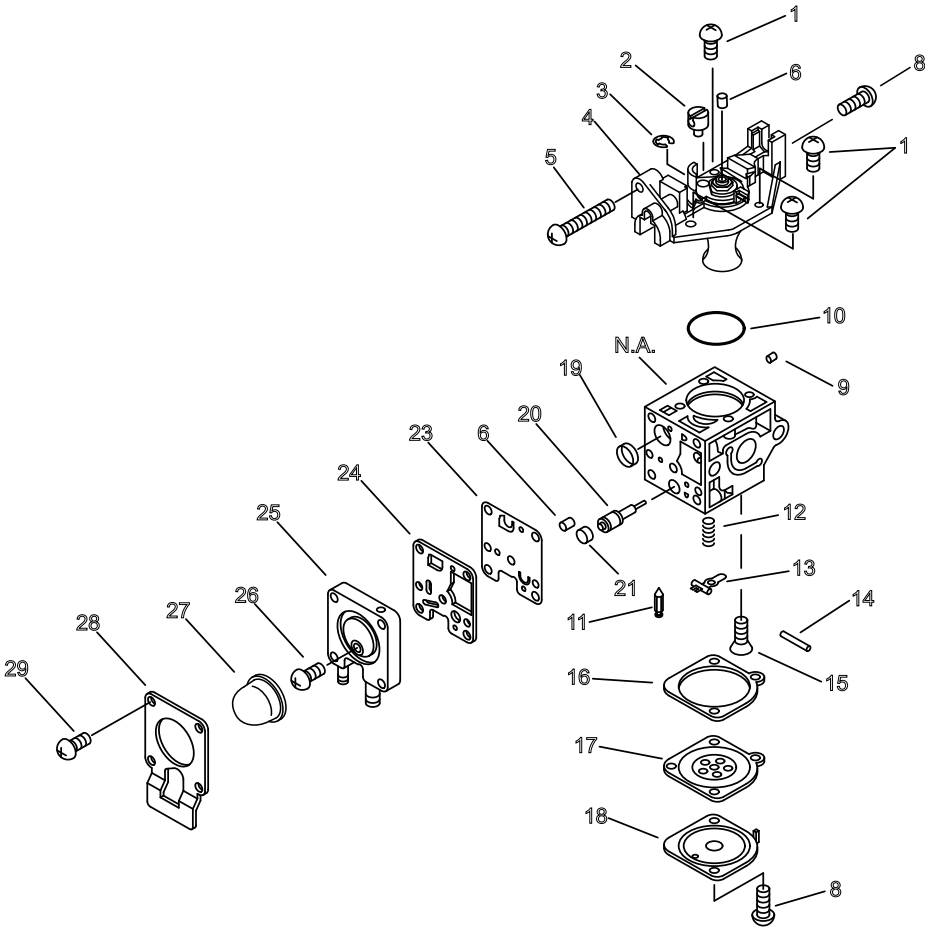


9. CARBURETOR



KEY	LV	PART NUMBER	Q'TY	DESCRIPTION	REMARKS	NOTE1	NOTE2
		A021-001690	1	CARBURETOR,DIAPHRAGM	ZAMA RB-X1746		
1	+	125344-13931	3	SCREW			
2	+	P005-001240	1	POST			
3	+	P005-000190	1	E-RING			
4	+	P005-002050	1	COVER ASY, ROTOR			
5	+	P005-000100	1	SCREW,THROTTLEADJUST			
6	+	P005-001270	2	PLUG, H AJUST SCREW			
8	+	125344-52130	3	SCREW			
9	+	P005-001000	1	ROLLER, GUIDE			
10	+	P005-000280	1	O-RING			
11	+	125337-08260	1	VALVE, INLET NEEDLE			
12	+	P005-000940	1	SPRING, METER. LEVER			
13	+	125323-08260	1	ARM, VALVE			
14	+	125338-13930	1	PIN, METERING ARM			
15	+	125339-42030	1	SCREW			
16	+	P005-000200	1	GASKET, METERING			
17	+	P005-001780	1	DIAPHRAGM			
18	+	125342-52130	1	COVER, DIAPHRAGM			
19	+	P005-000010	1	STRAINER			
20	+	P005-001260	1	SCREW,MAINN MIXTURE			
21	+	P005-001250	1	RETAINER,PLUG BALL			
23	+	P005-000510	1	DIAPHRAGM, PUMP			
24	+	P005-000520	1	GASKET, PUMP			
25	+	P005-001890	1	BASE, ASY PRIMER			
26	+	P005-000270	1	SCREW			

9. CARBURETOR



KEY	LV	PART NUMBER	Q'TY	DESCRIPTION	REMARKS	NOTE1	NOTE2
27	+	125381-46730	1	PUMP, PRIMING			
28	+	P005-000250	1	RETAINER			
29	+	P005-001900	4	SCREW			

Index

Patrs Number	Key No.	Patrs Number	Key No.	Patrs Number	Key No.
100013-11520	1 - 6	699229-56830	6 - 3	A427-000013	2 - 7
100014-11520	1 - 7	890152-04930	5 - 32	A556-000530	1 - 25
100015-04630	1 - 8	890332-52730	3 - 10	C062-000192	5 - 31
100204-52132	1 - 10	890617-43130	5 - 27	C400-000000	5 - 25
100212-42031	1 - 13	898510-07130	7 - 6	C403-000031	5 - 26
100215-03930	1 - 11	900162-05022	1 - 9	C423-000042	5 - 33
100215-03930	1 - 22	900162-05028	1 - 15	C450-000270	5 - 7
100242-42030	1 - 14	900500-00005	3 - 4	C460-000111	5 - 5
125323-08260	9 - 13	900500-00005	5 - 4	C463-000020	5 - 34
125337-08260	9 - 11	900502-00006	5 - 37	C550-000082	7 - 8
125338-13930	9 - 14	900518-00006	5 - 36	C550-000092	7 - 14
125339-42030	9 - 15	900565-00005	7 - 12	C550-000102	7 - 11
125342-52130	9 - 18	900565-50008	5 - 20	C550-000530	7 -
125344-13931	9 - 1	900600-00005	6 - 25	C550-000550	7 -
125344-52130	9 - 8	900603-00005	4 - 4	C552-000200	7 - 15
125381-46730	9 - 27	900603-50008	6 - 16	C554-000000	7 - 9
129011-52730	3 - 7	900605-00005	6 - 24	P005-000010	9 - 19
130017-44331	3 - 2	900701-00012	1 - 26	P005-000100	9 - 5
130310-54130	3 - 12	900702-00022	6 - 22	P005-000190	9 - 3
131016-55830	4 - 14	900702-00028	1 - 24	P005-000200	9 - 16
131205-07320	4 - 7	900702-00032	6 - 7	P005-000250	9 - 28
132012-56030	4 - 12	900706-00010	6 - 23	P005-000270	9 - 26
132013-09820	4 - 8	900720-00012	6 - 5	P005-000280	9 - 10
132115-46730	4 - 5	900807-06001	1 - 23	P005-000510	9 - 23
145862-40630	3 - 19	900810-00626	6 - 13	P005-000520	9 - 24
156635-43130	1 - 16	900812-06201	6 - 9	P005-000940	9 - 12
159112-09961	5 - 13	900855-06900	6 - 20	P005-001000	9 - 9
159116-21231	1 - 18	900858-06900	6 - 21	P005-001240	9 - 2
175000-52734	2 - 25	94035-36201	1 - 12	P005-001250	9 - 21
175018-52131	2 - 27	A011-000101	1 - 1	P005-001260	9 - 20
177228-27030	2 - 12	A021-001690	3 - 25	P005-001270	9 - 6
177236-61830	2 - 14	A021-001690	9 -	P005-001780	9 - 17
177246-11120	2 - 11	A051-001311	2 - 10	P005-001890	9 - 25
224924-52130	5 - 14	A052-000180	2 - 20	P005-001900	9 - 29
605014-54230	5 - 23	A101-000090	1 - 5	P005-002050	9 - 4
610018-27830	5 - 29	A130-000540	1 - 2	P021-007712	1 - 4
610206-28230	5 - 28	A160-001090	1 - 33	P021-012210	4 - 13
610300-40830	6 - 12	A172-000860	1 - 21	P021-012870	3 - 6
610310-56831	6 - 10	A226-001410	3 - 12	P021-014310	8 - 1
610313-52132	6 - 14	A232-000480	3 - 9	P021-016050	5 - 9
610313-52932	6 - 6	A313-000600	3 - 17	P021-016170	1 - 20
610314-52130	6 - 4	A320-000480	3 - 23	P021-016210	5 - 1
610320-52130	6 - 2	A350-000801	4 - 1	P021-016220	5 - 17
610352-56830	6 - 11	A356-000030	4 - 10	P021-016231	5 - 19
610434-50031	6 - 17	A365-000060	4 - 15	P021-016242	7 - 7
610444-56830	6 - 8	A409-000210	2 - 1	P021-016652	3 - 13
610910-55230	1 - 30	A411-000130	2 - 2	P021-036480	6 - 1
610922-27432	1 - 28	A425-000000	2 - 6	P022-002100	2 - 23
610923-55230	1 - 29	A426-000010	2 - 8	P022-006510	2 - 22

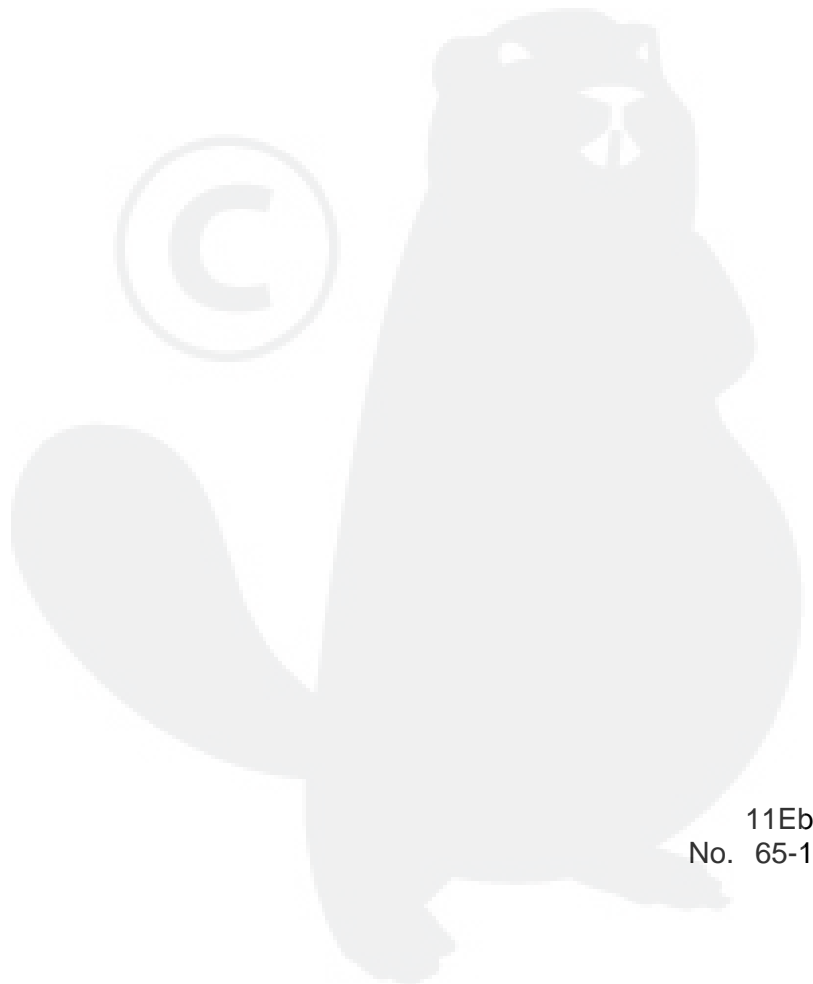
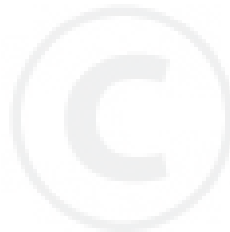
Index

Patrs Number	Key No.	Patrs Number	Key No.	Patrs Number	Key No.
P022-006830	2 - 18	X547-001430	1 - 36		
P022-006850	2 - 21	X602-000020	7 - 3		
P022-008270	2 - 16	X605-000050	7 - 1		
P022-008280	2 - 17	X606-000080	7 - 4		
P022-019680	2 - 15	X690-000050	7 - 5		
P022-019990	2 - 13				
V100-000160	1 - 3				
V103-000480	3 - 1				
V103-000490	3 - 5				
V104-000850	3 - 22				
V104-001760	3 - 20				
V150-000371	3 - 16				
V299-000110	5 - 24				
V299-000250	3 - 11				
V353-000231	4 - 2				
V430-002330	5 - 35				
V452-000350	5 - 6				
V452-000360	5 - 8				
V452-001310	6 - 15				
V471-001210	4 - 9				
V471-001230	4 - 6				
V475-004160	2 - 3				
V485-001120	2 - 4				
V804-000010	5 - 2				
V804-000060	1 - 27				
V804-000060	2 - 19				
V804-000070	2 - 5				
V804-000080	3 - 21				
V805-000000	1 - 34				
V805-000000	3 - 24				
V805-000050	5 - 3				
V805-000100	3 - 8				
V805-000130	1 - 19				
V805-000130	6 - 18				
V805-000140	5 - 18				
V805-000150	1 - 35				
V805-000150	3 - 26				
V805-000160	1 - 31				
V805-000160	3 - 3				
V805-000160	4 - 3				
V805-000160	7 - 13				
V805-000170	5 - 21				
V805-000190	3 - 14				
V805-000240	7 - 10				
V805-000260	7 - 16				
V806-000020	6 - 19				
X495-000270	8 - 2				
X502-000330	2 - 24				
X505-002310	1 - 37				

YAMABIKO CORPORATION

7-2 SUEHIROCHO 1-CHOME, OHME, TOKYO 198-8760, JAPAN
PHONE: 81-428-32-6118. FAX: 81-428-32-6145.

ECHO[®]



11Eb
No. 65-127