



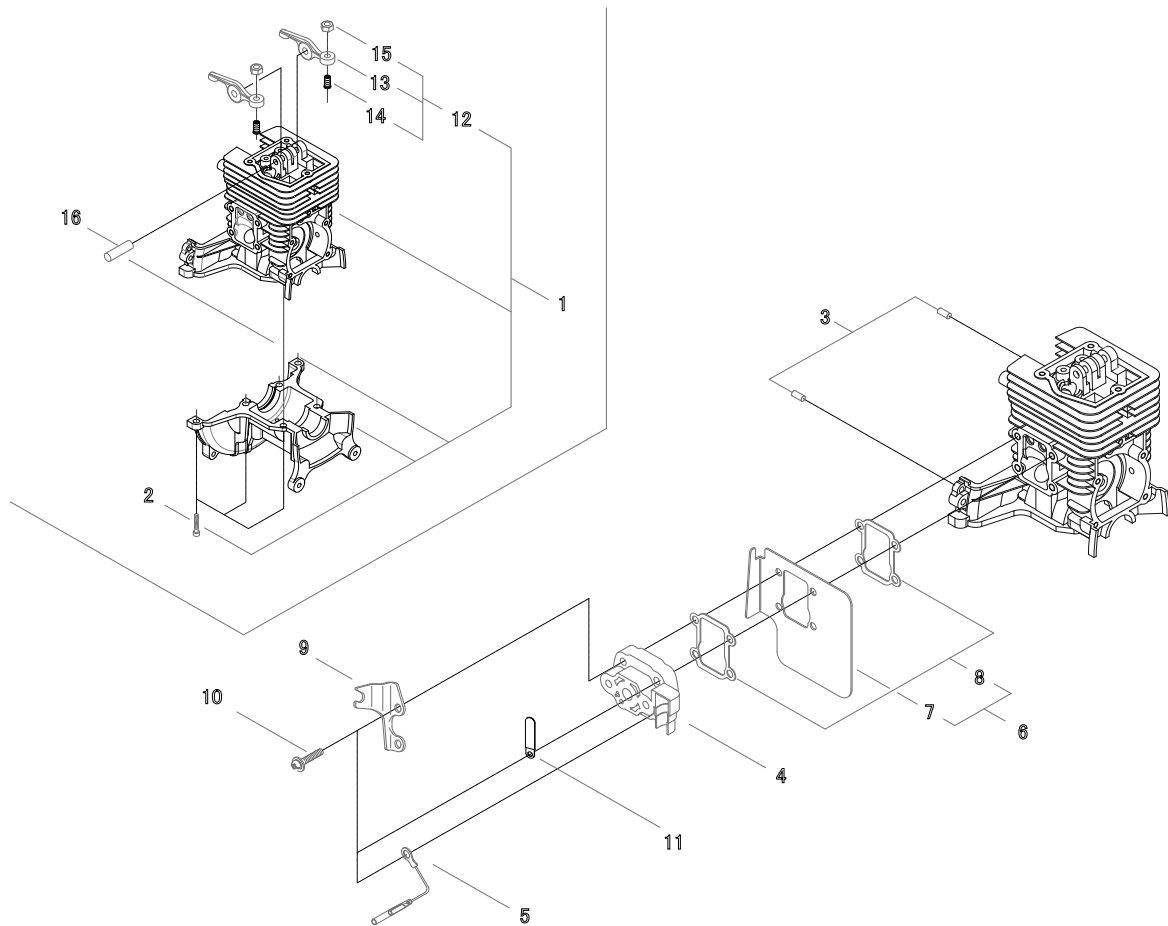
PARTS CATALOG

GRASS-TRIMMER / BRUSHCUTTER (HYBRID 4)

SRMF-250_L(37)

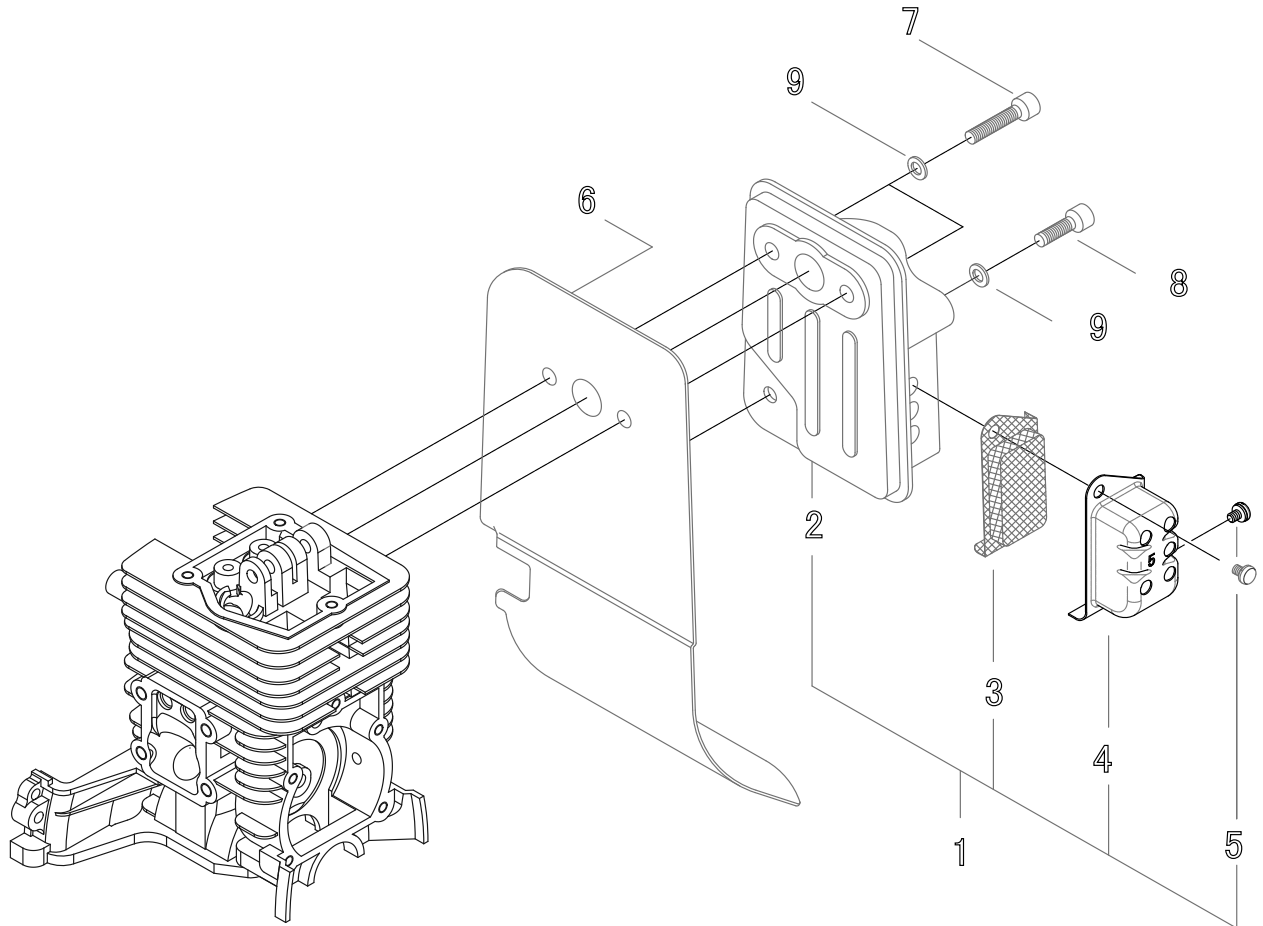
SRMF-250_L(37)

1. Cylinder



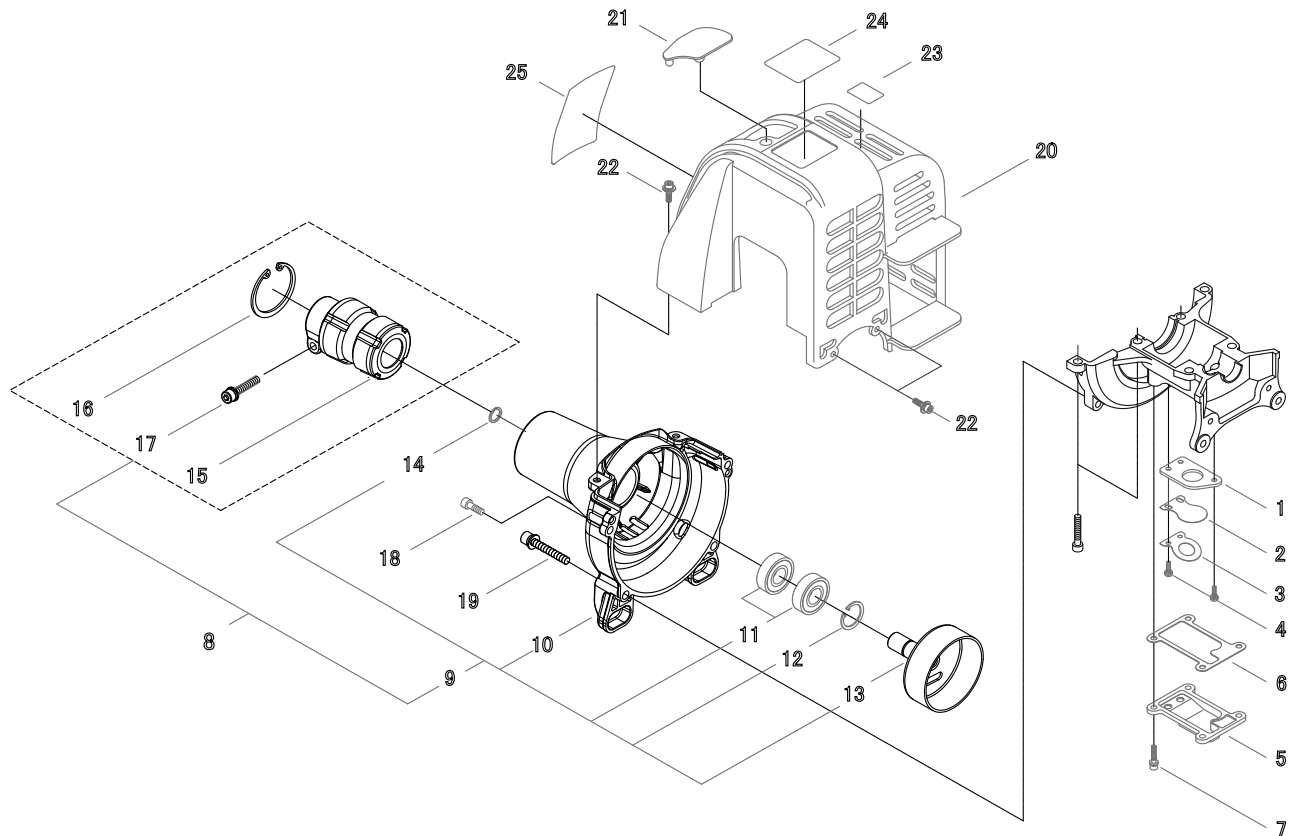
KEY	LV	PART NUMBER	Q'TY	DESCRIPTION	REMARKS	NOTE1	NOTE2
1		68511-98310	1	CYLINDER BLOCK COMP			
2	+	01020-05160	6	BOLT	M5*16 BLACK		
12	+	62907-44010	2	ROCKER ARM ASSY			
13	++	62901-44210	2	ROCKER ARM			
14	++	62907-44220	2	ADJUST SCREW			
15	++	62901-44231	2	NUT			
16	+	12492-50310	1	ROLLER	NTN F5*31.8		
3		12492-40080	2	ROLLER			
4		62902-12310	1	REED VALVE			
5		14350-01101	1	LEAD WIRE	L110		
6		62902-12320	1	BAFFLE PLATE COMP			
7	+	62901-12320	1	BAFFLE PLATE			
8	+	62901-12220	2	GASKET			
9		68512-83310	1	BRACKET			
10		11206-05225	4	SCREW,PM-SPW	M5*22		
11		15270-01002	1	CLAMP			

2. Muffler



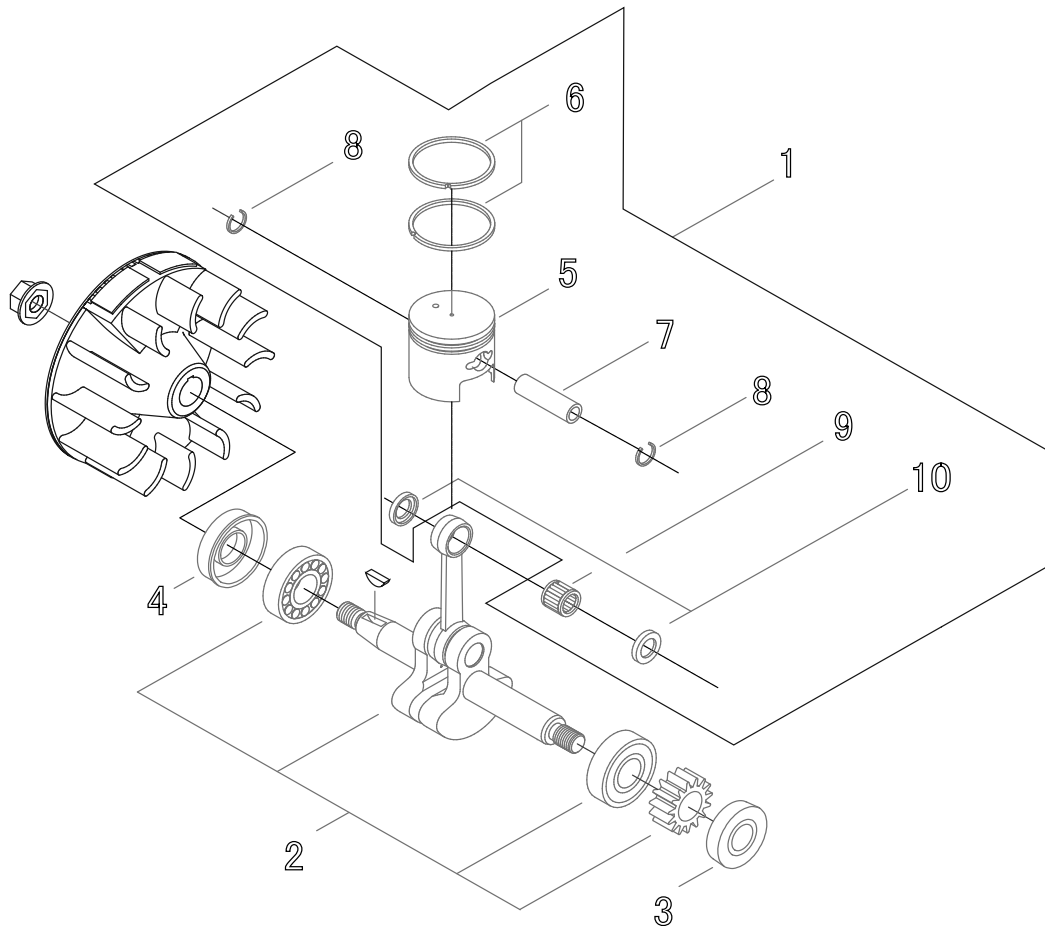
KEY	LV	PART NUMBER	Q'TY	DESCRIPTION	REMARKS	NOTE1	NOTE2
1		62907-15011	1	MUFFLER ASSY			
2	+	62907-15111	1	MUFFLER			
3	+	62902-15131	1	SCREEN			
4	+	62907-15161	1	TAIL PLATE			
5	+	11204-04060	2	SCREW,PM-SW			
6		62901-15210	1	GASKET			
7		62901-15310	2	BOLT			
8		01020-05160	1	BOLT	M5*16 BLACK		
9		01610-05080	3	WASHER			

3. Cylinder cover, Fan cover



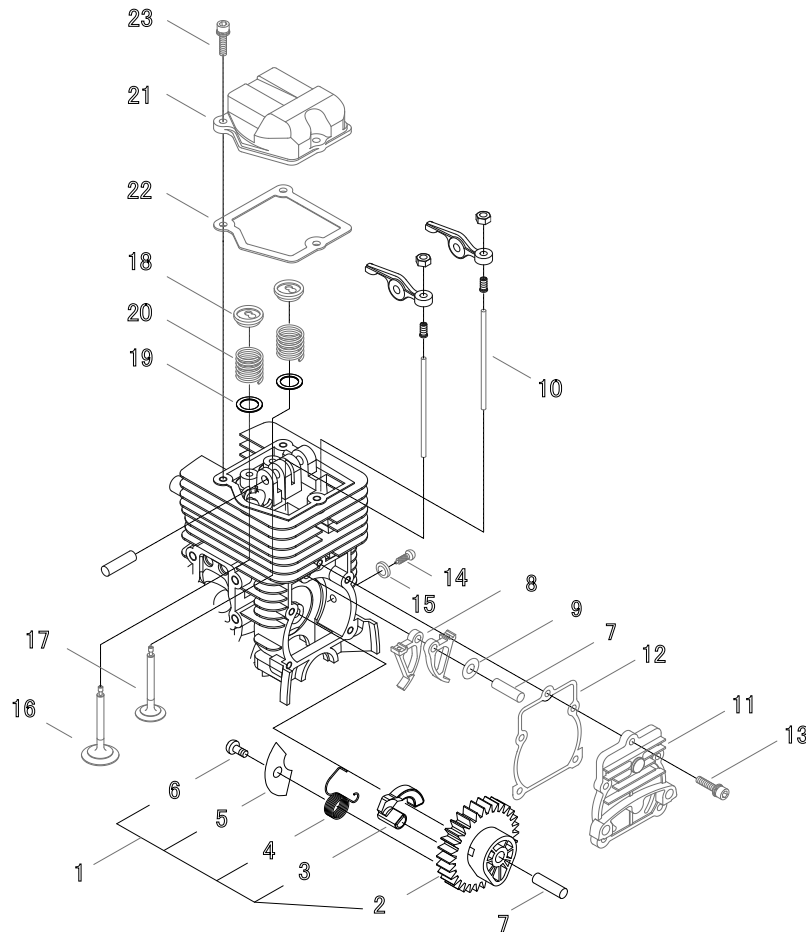
KEY	LV	PART NUMBER	Q'TY	DESCRIPTION	REMARKS	NOTE1	NOTE2
1		62901-21320	1	INSULATOR			
2		72320-83121	1	VALVE			
3		72320-83132	1	STOPPER			
4		01211-03100	3	SCREW-SW	M3*10		
5		62901-21120	1	COVER			
6		62901-21130	1	GASKET			
7		11022-04120	4	BOLT-SPW	M4*12		
8		68511-98320	1	FAN COVER ASSY			
9	+	68511-31010	1	FAN COVER COMP			
10	++	68511-31110	1	FAN COVER	ORANGE		
11	++	02036-06001	2	BALL BEARING	6001DDUC3S27		
12	++	02432-28120	1	SNAP RING			
13	++	68511-31210	1	CLUTCH DRUM			
14	++	20000-31140	1	SNAP RING			
15	+	68511-33110	1	JOINT			
16	+	02432-42170	1	SNAP RING	42MM C-RING		
17	+	11022-05282	1	BOLT-SPW	M5*28		
18		01020-05162	2	BOLT	M5*16-10.9		
19		11022-05452	2	BOLT-SLPW	M5*45-10.9		
20		38510-32110	1	CYLINDER COVER			
21		68512-32310	1	GROMMET			
22		11024-04162	4	BOLT-SLPW	M4*16-10.9		
23		19402-00361	1	LABEL, CAUTION			
24		68512-91330	1	LABEL, TRADE			
25		68511-91320	1	LABEL, TRADE	SRMF-250		

4. Piston,Crankshaft



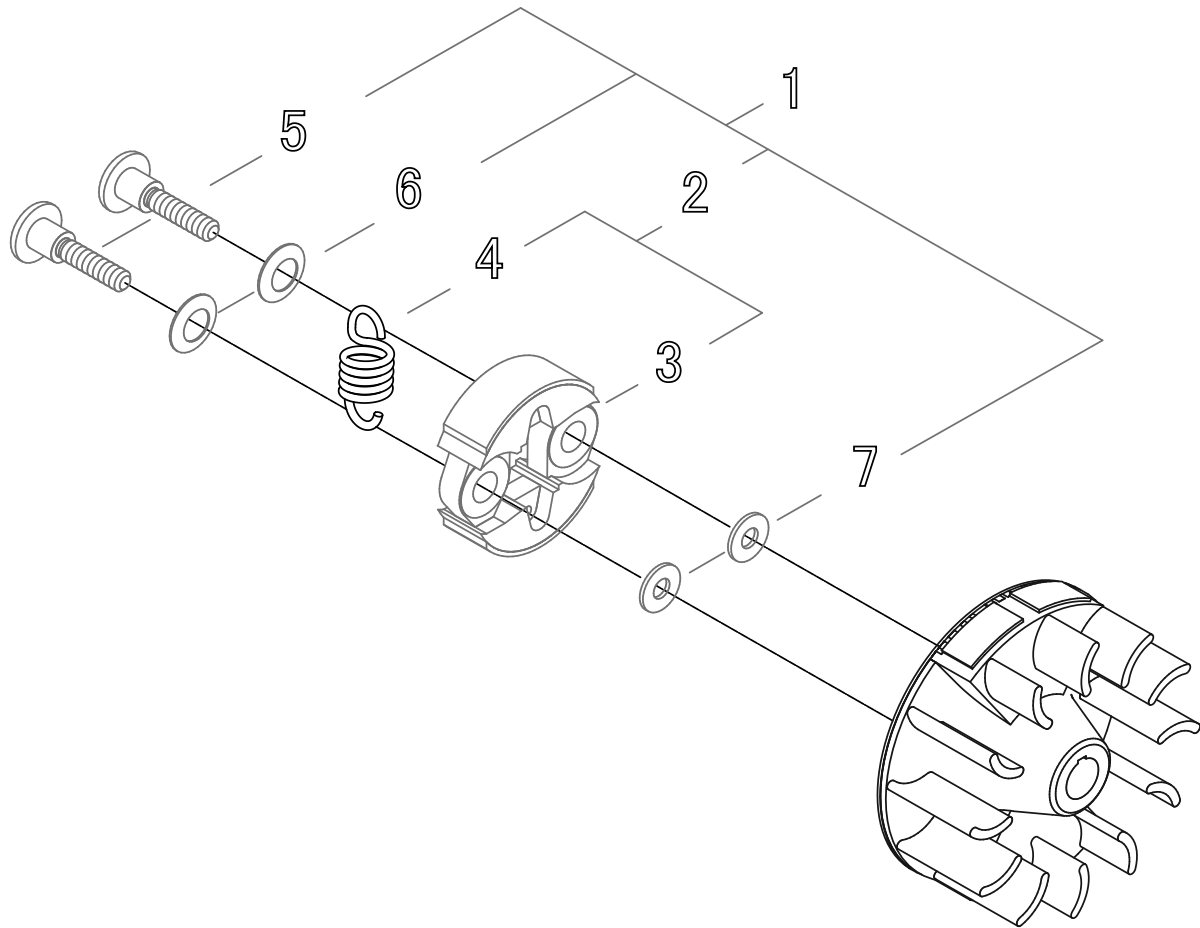
KEY	LV	PART NUMBER	Q'TY	DESCRIPTION	REMARKS	NOTE1	NOTE2
1		62902-41310	1	PISTON SET			
5	+	62902-41110	1	PISTON			
6	+	62902-41120	2	PISTON RING			
7	+	62901-41210	1	PISTON PIN			
8	+	20000-41320	2	SNAP RING			
9	+	62901-41230	1	NEEDLE BEARING			
10	+	37019-41240	2	THRUST WASHER			
2		62902-42020	1	CRANKSHAFT COMP			
3		62901-42260	1	OIL SEAL			
4		62901-42270	1	OIL SEAL			

5. Valve



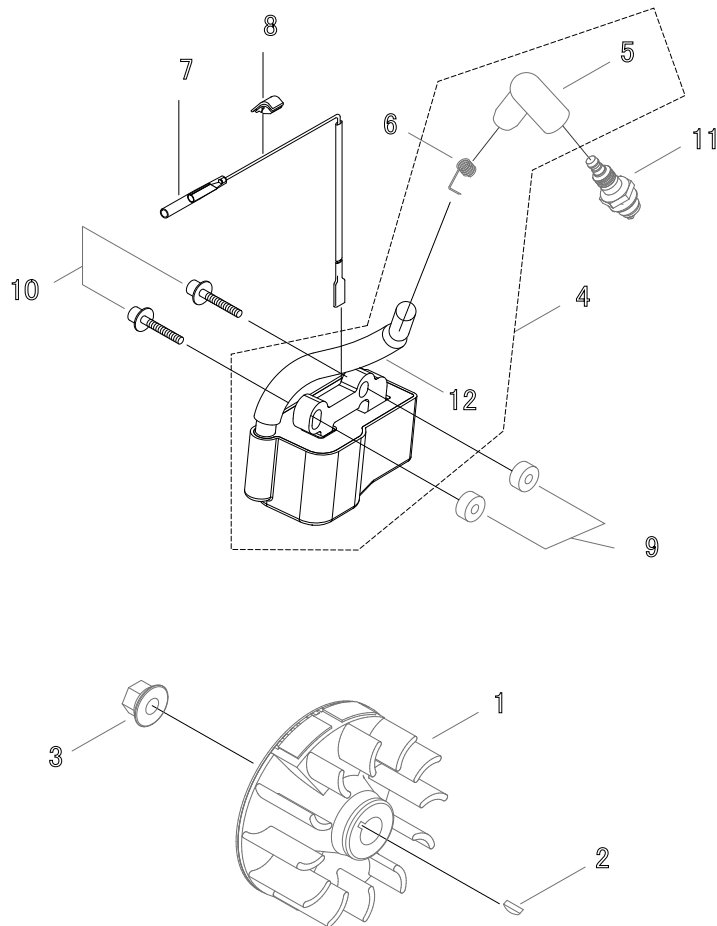
KEY	LV	PART NUMBER	Q'TY	DESCRIPTION	REMARKS	NOTE1	NOTE2
1		62905-43011	1	CAM GEAR ASSY			
2	+	62902-43310	1	CAM GEAR			
3	+	62907-43120	1	WEIGHT			
4	+	17520-08900	1	COIL SPRING			
5	+	62905-43131	1	PLATE			
6	+	01280-04062	1	SCREW, TAPPING			
7		12492-50290	2	ROLLER	5*L29.8		
8		62907-43210	2	LIFTER			
9		11620-10000	1	WASHER	T0.3		
10		62908-43220	2	PUSH ROD			
11		62901-43330	1	CAM GEAR COVER			
12		62901-43240	1	GASKET			
13		11022-04140	5	BOLT-SPW	M4-14		
14		62901-43310	1	SCREW			
15		15401-10028	1	COLLAR	5.5,10 T=2		
16		62902-44111	1	INTAKE VALVE			
17		62902-44121	1	EXHAUST VALVE			
18		62908-44140	2	RETAINER			
19		62908-44310	2	PLATE			
20		62901-44130	2	VALVE SPRING			
21		62901-44241	1	ROCKER ARM COVER			
22		62901-44250	1	GASKET			
23		11022-04140	3	BOLT-SPW	M4-14		

6. Clutch



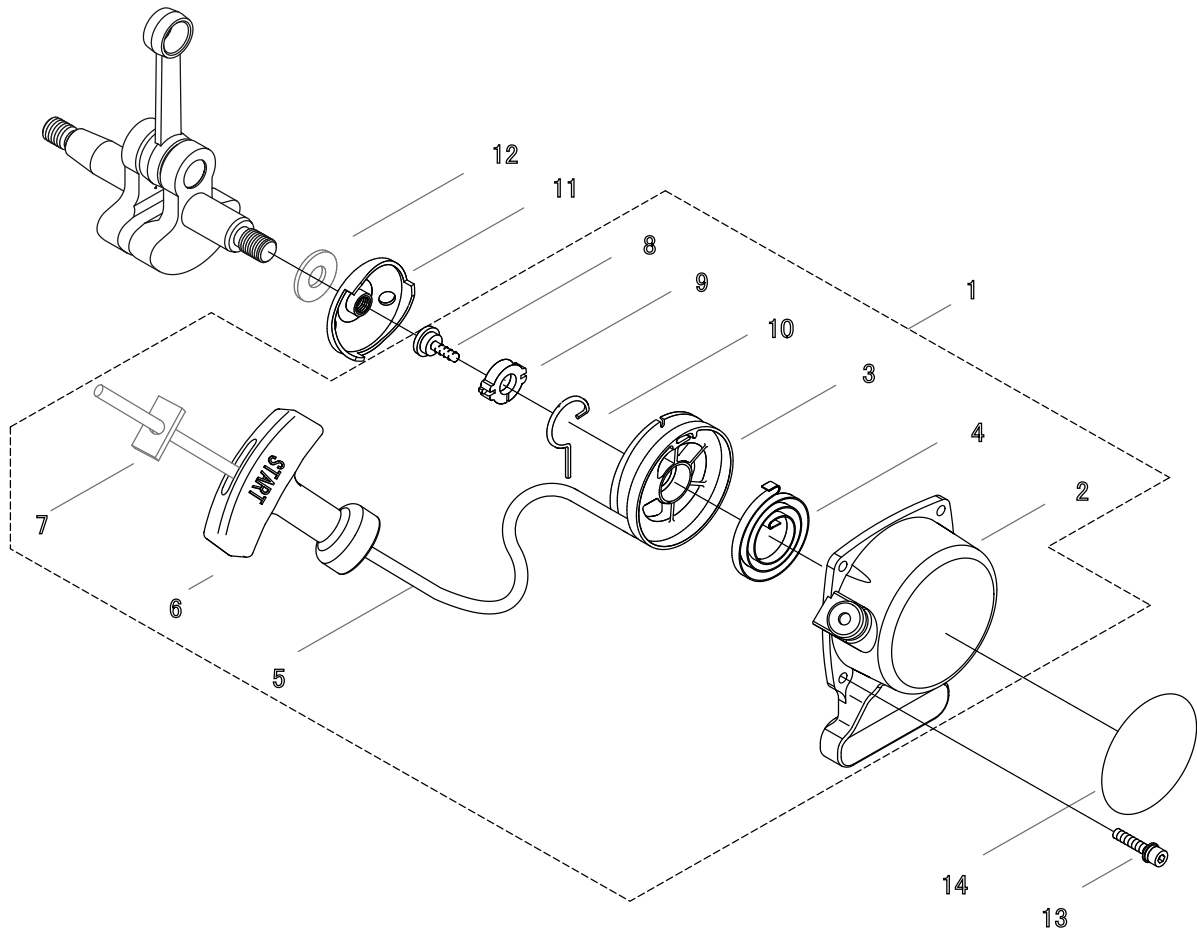
KEY	LV	PART NUMBER	Q'TY	DESCRIPTION	REMARKS	NOTE1	NOTE2
1		62901-51012	1	CLUTCH SET			
2	+	62901-51022	1	CLUTCH SHOE-A			
3	++	70140-51113	2	CLUTCH SHOE			
4	++	62901-51310	1	COIL SPRING			
5	+	20087-51210	2	BOLT			
6	+	20087-51231	2	SPRING PLATE			
7	+	22100-71430	2	WASHER			

7. Magneto



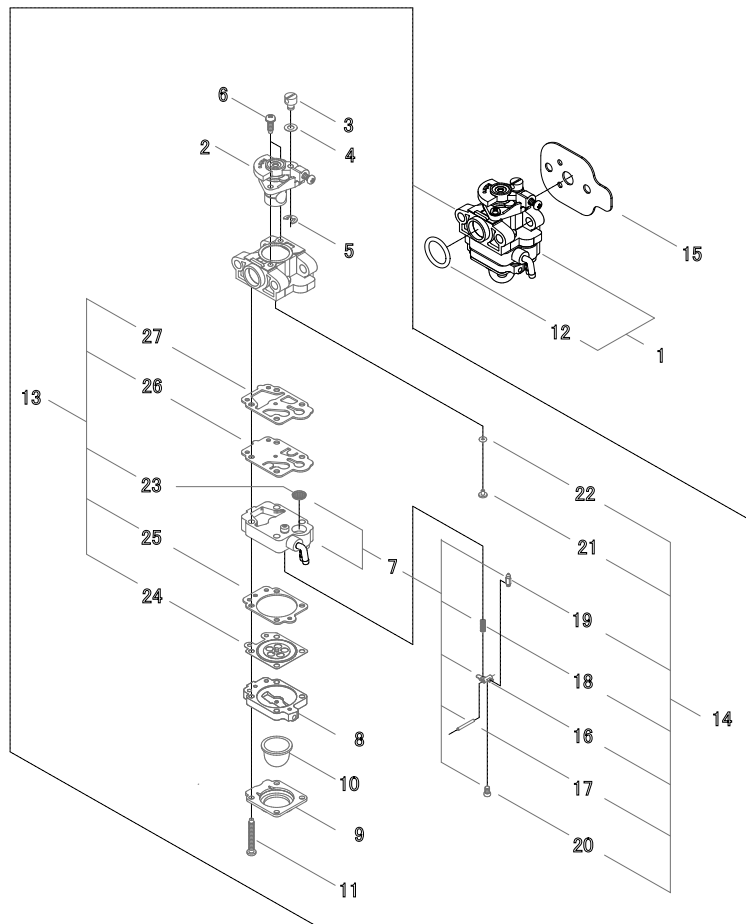
KEY	LV	PART NUMBER	Q'TY	DESCRIPTION	REMARKS	NOTE1	NOTE2
1		62905-71110	1	ROTOR			
2		02403-03100	1	KEY	3*10		
3		20035-71220	1	NUT			
4		62905-71311	1	COIL ASSY			
5	+	62905-71250	1	PLUG CAP			
6	+	62905-71320	1	COIL SPRING			
12	+	62905-71340	1	TUBE			
7		14350-02001	1	LEAD WIRE			
8		62901-71310	1	GROMMET			
9		70030-71620	2	INSULATOR			
10		11024-04265	2	BOLT-SLPW	M4*26		
11		13001-10005	1	PLIG	NGK CMR5H		

8. Recoil Starter



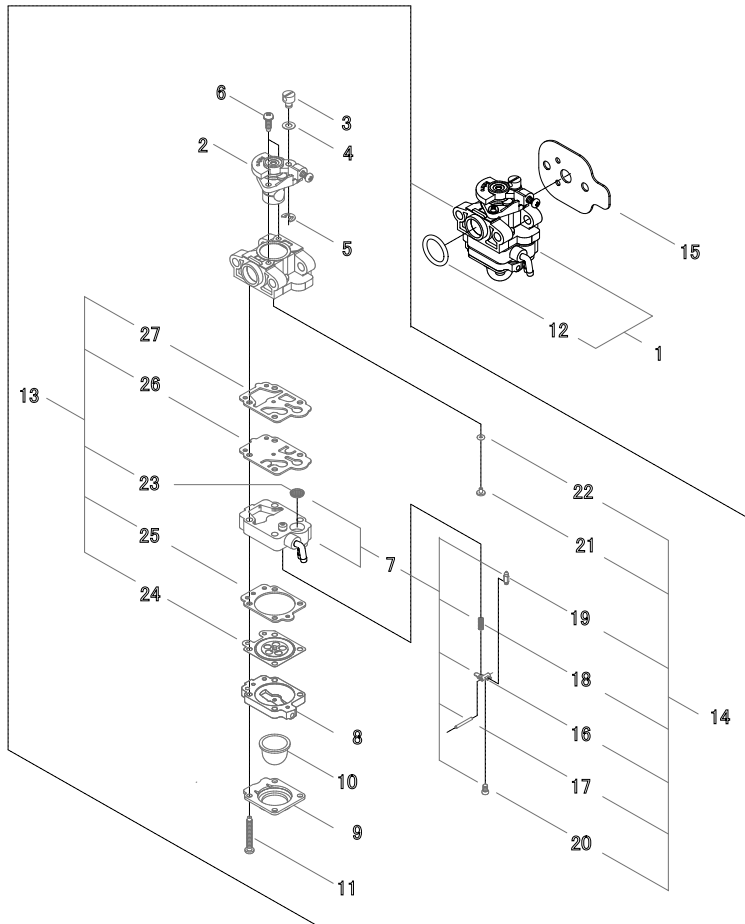
KEY	LV	PART NUMBER	Q'TY	DESCRIPTION	REMARKS	NOTE1	NOTE2
1		38510-75010	1	RECOIL STARTER ASSY			
2	+	38510-75110	1	STARTER CASE	BLACK		
3	+	37013-75120	1	REEL			
4	+	37013-75130	1	RECOIL SPRING			
5	+	38510-75140	1	ROPE			
6	+	20010-75190	1	STARTER KNOB			
7	+	20010-75210	1	STOPPER			
8	+	37013-75310	1	SCREW			
9	+	37013-75320	1	COLLAR			
10	+	37013-75330	1	SWING ARM			
11		38510-75210	1	STARTER PULLEY			
12		38510-75310	1	WASHER			
13		11024-04162	2	BOLT-SLPW	M4*16-10.9		
14		68512-91340	1	LABEL,TRADE			

9. Carburettor

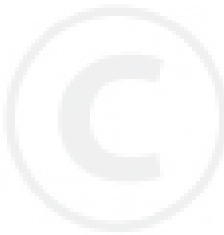


KEY	LV	PART NUMBER	Q'TY	DESCRIPTION	REMARKS	NOTE1	NOTE2
1		62908-81011	1	CARBURETOR ASSY			
2	+	62908-81311	1	VALVE			
3	+	72933-81450	1	SWIVEL			
4	+	20089-81185	1	WASHER			
5	+	20036-81195	1	E RING			
6	+	70064-81290	2	SCREW	M3*10		
7	+	37013-81350	1	PUMP BODY ASSY			
8	+	20016-81420	1	PUMP BASE COMP			
9	+	20016-81510	1	PUMP COVER			
10	+	20036-81670	1	PRIMER PUMP			
11	+	20016-81140	4	SCREW			
12	+	20016-81250	1	O RING			
13	+	60902-98030	1	GASKRT			
23	++	70030-81380	1	SCREEN			
24	++	37013-81310	1	DIAPHRAGM			
25	++	20016-81280	1	GASKET			
26	++	70097-81320	1	DIAPHRAGM			
27	++	70097-81310	1	GASKET,PUMP			
14	+	60908-98360	1	VALVE SET			
16	++	22100-81230	1	LEVER, METERING			
17	++	22100-81250	1	PIN			
18	++	72933-81270	1	SPRING			
19	++	20036-81440	1	VALVE			
20	++	20016-81450	1	SCREW			
21	++	60084-98320	1	MAIN JET			
22	++	70097-81220	1	O-RING			

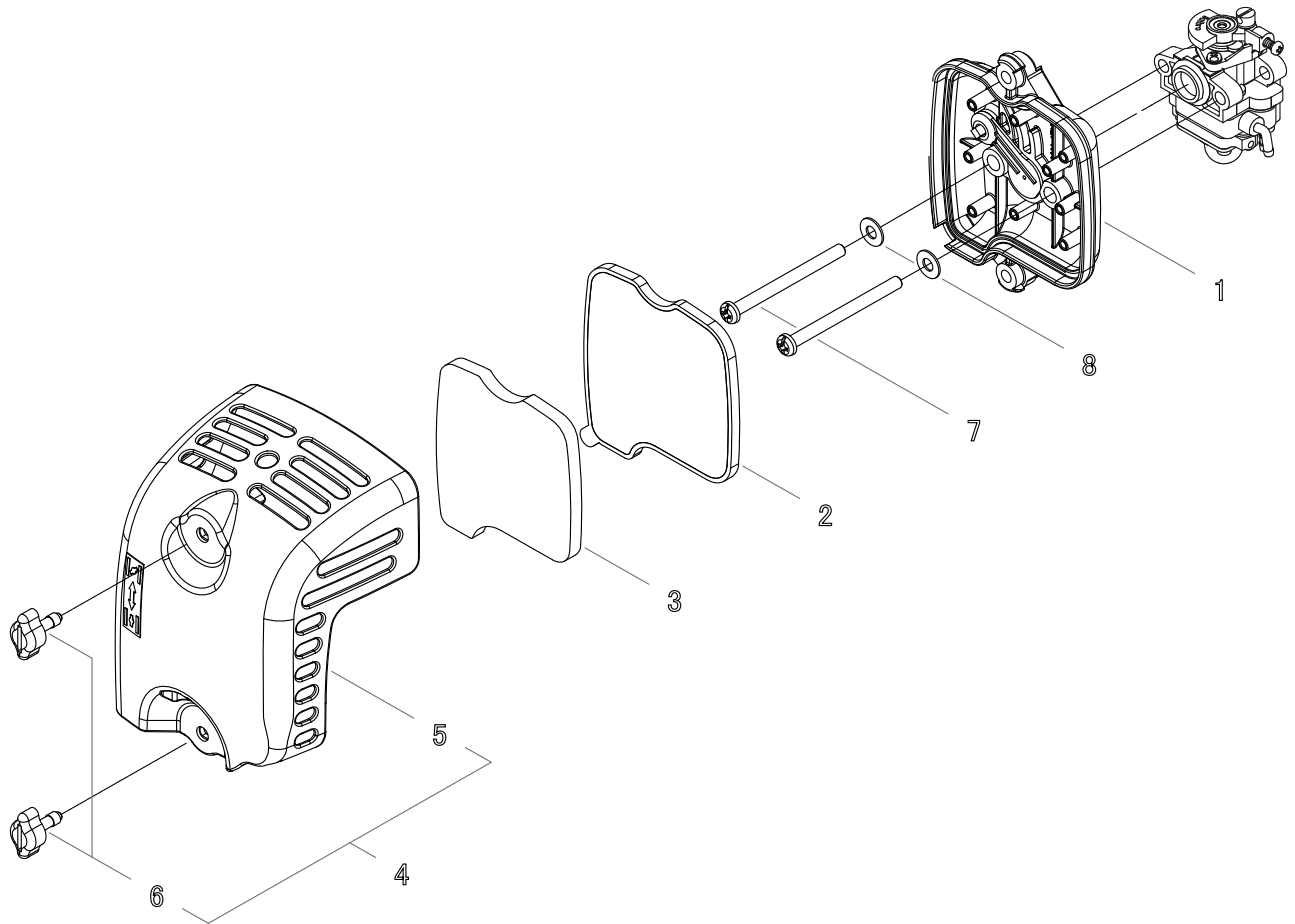
9. Carburettor



KEY	LV	PART NUMBER	Q'TY	DESCRIPTION	REMARKS	NOTE1	NOTE2
15		62901-81211	1	GASKET			

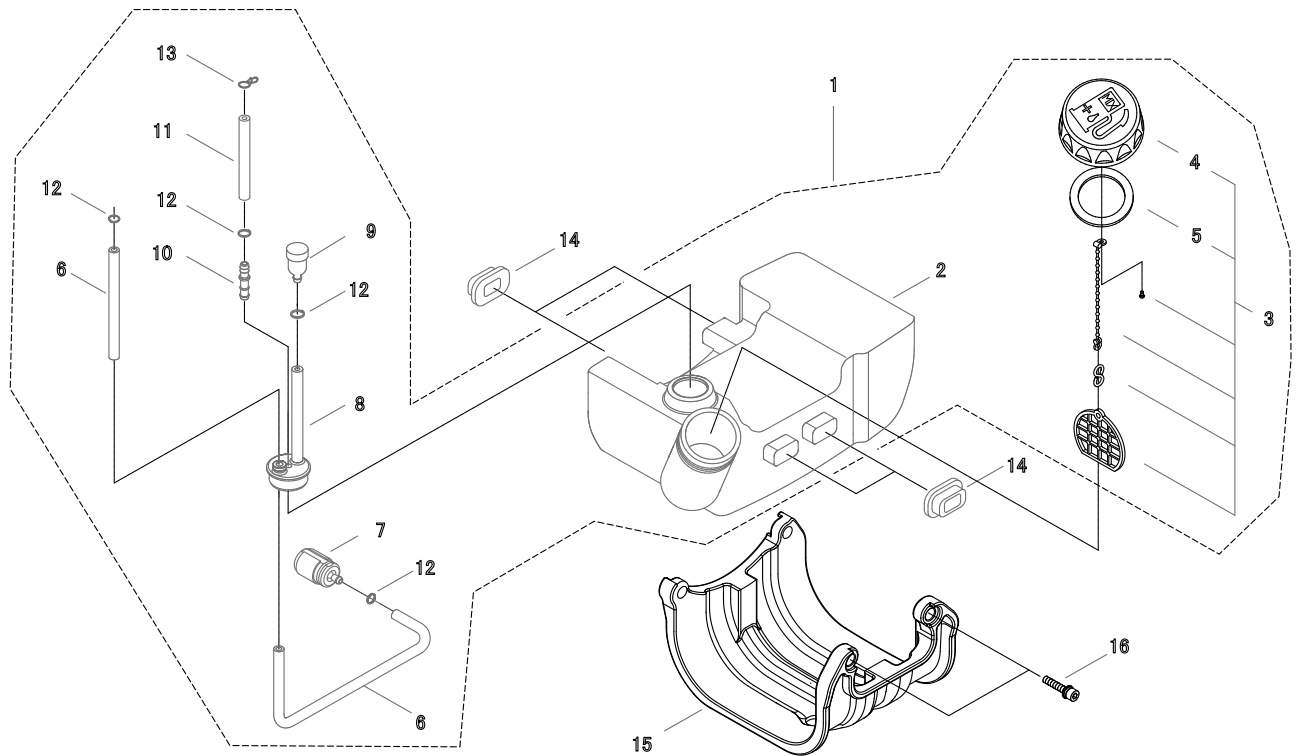


10. Air Filter



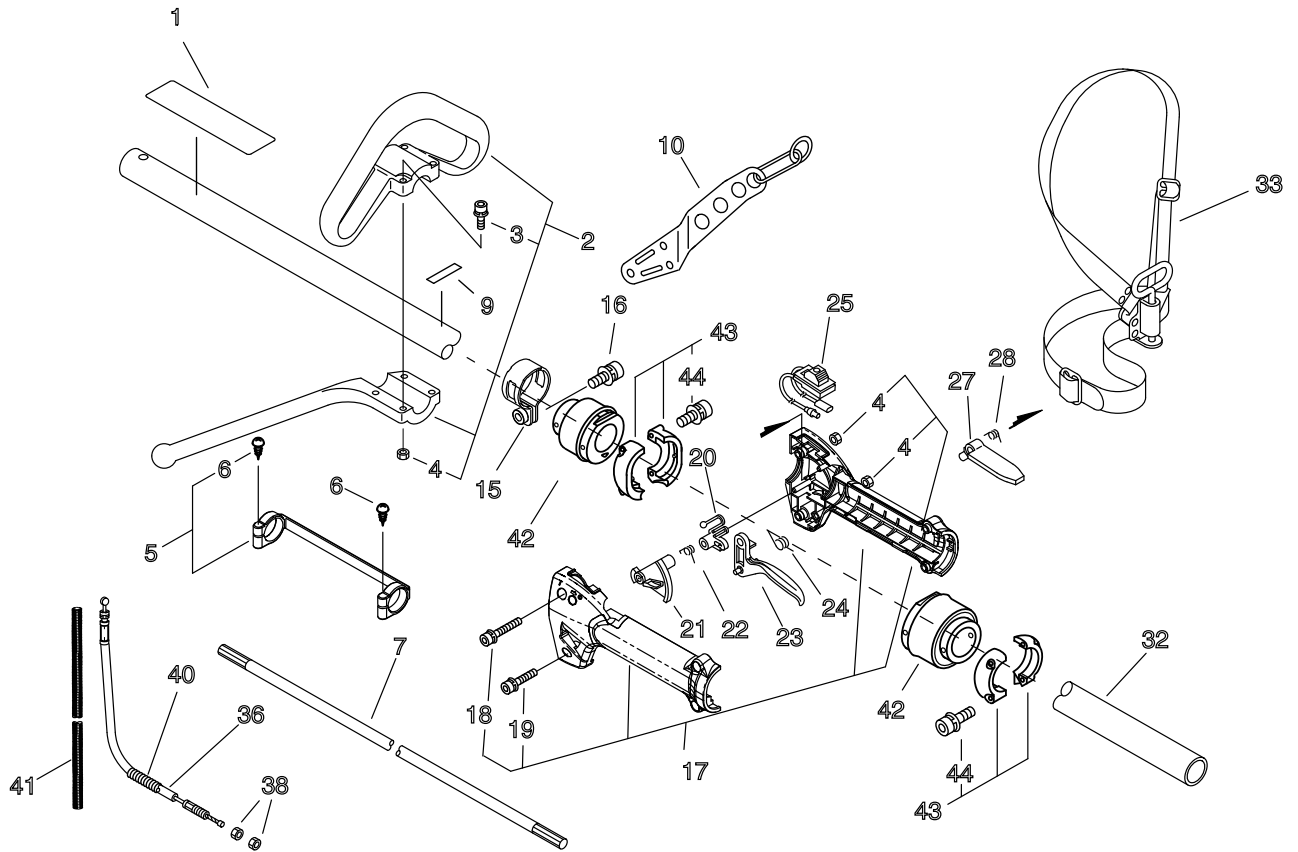
KEY	LV	PART NUMBER	Q'TY	DESCRIPTION	REMARKS	NOTE1	NOTE2
1		68512-82010	1	CLEANER BODY ASSY			
2		62908-82120	1	FILTER			
3		62908-82310	1	PREFILTER			
4		68512-82030	1	CLEANER COVER ASSY			
5	+	68512-82130	1	CLEANER COVER			
6	+	62901-82330	2	KNOB			
7		11203-05605	2	SCREW,PM			
8		01613-05080	2	WASHER			

11. Fuel Tank



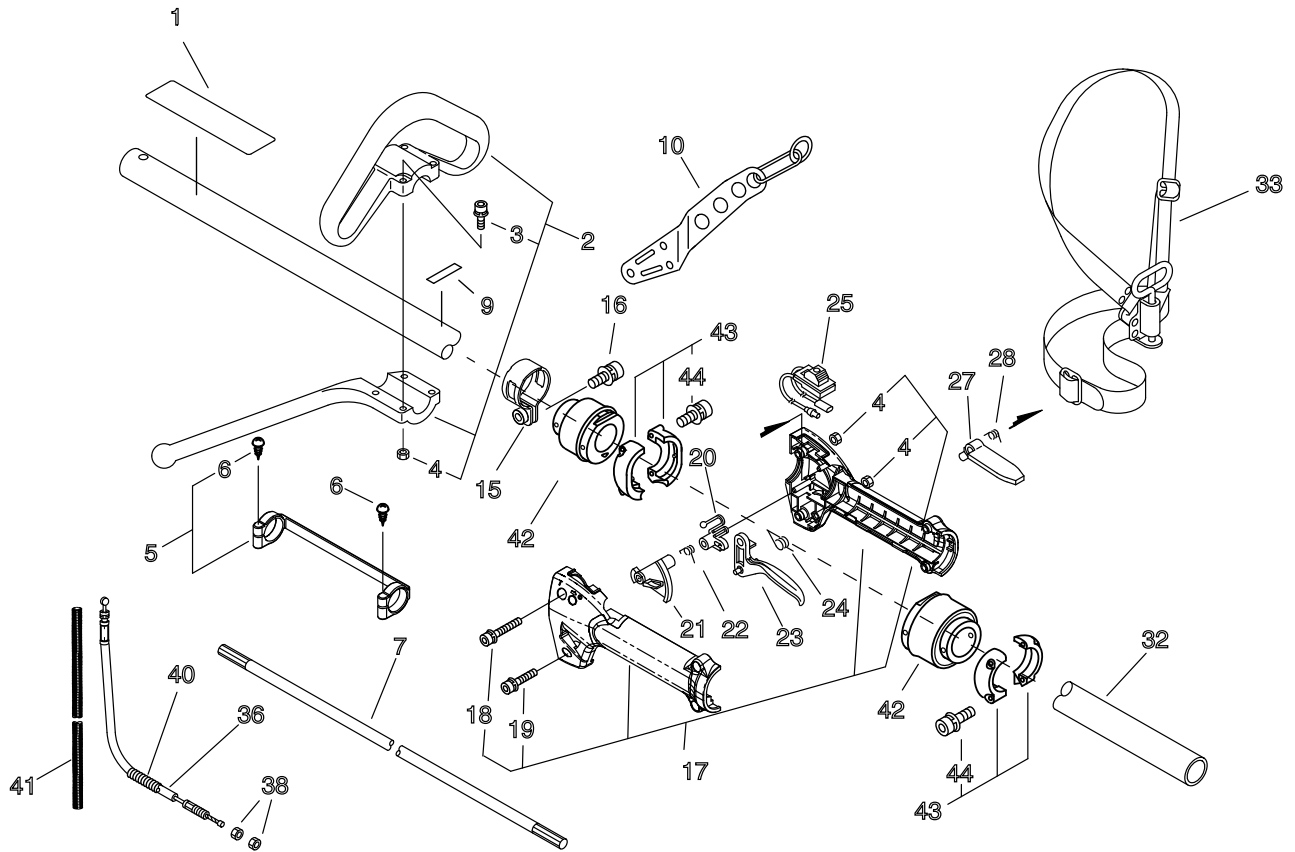
KEY	LV	PART NUMBER	Q'TY	DESCRIPTION	REMARKS	NOTE1	NOTE2
1		38510-85310	1	FUEL TANK ASSY			
2	+	62901-85110	1	FUEL TANK			
3	+	68512-85020	1	FUEL CAP ASSY			
4	++	68512-85120	1	FUEL CAP			
5	++	20000-85221	1	GASKET			
6	+	62901-85310	1	PIPE			
7	+	20016-85400	1	FUEL FILTER			
8	+	20112-85351	1	GROMMET			
9	+	22197-33960	1	VALVE			
10	+	72933-85620	1	JOINT			
11	+	68906-85320	1	PIPE			
12	+	20020-85540	4	CLIP			
13	+	37013-85310	1	CLIP			
14		62901-85220	4	TANK CUSHION			
15		62902-85320	1	TANK GUARD			
16		11022-05202	2	BOLT-SPW	M5*20-10.9		

12. Handle



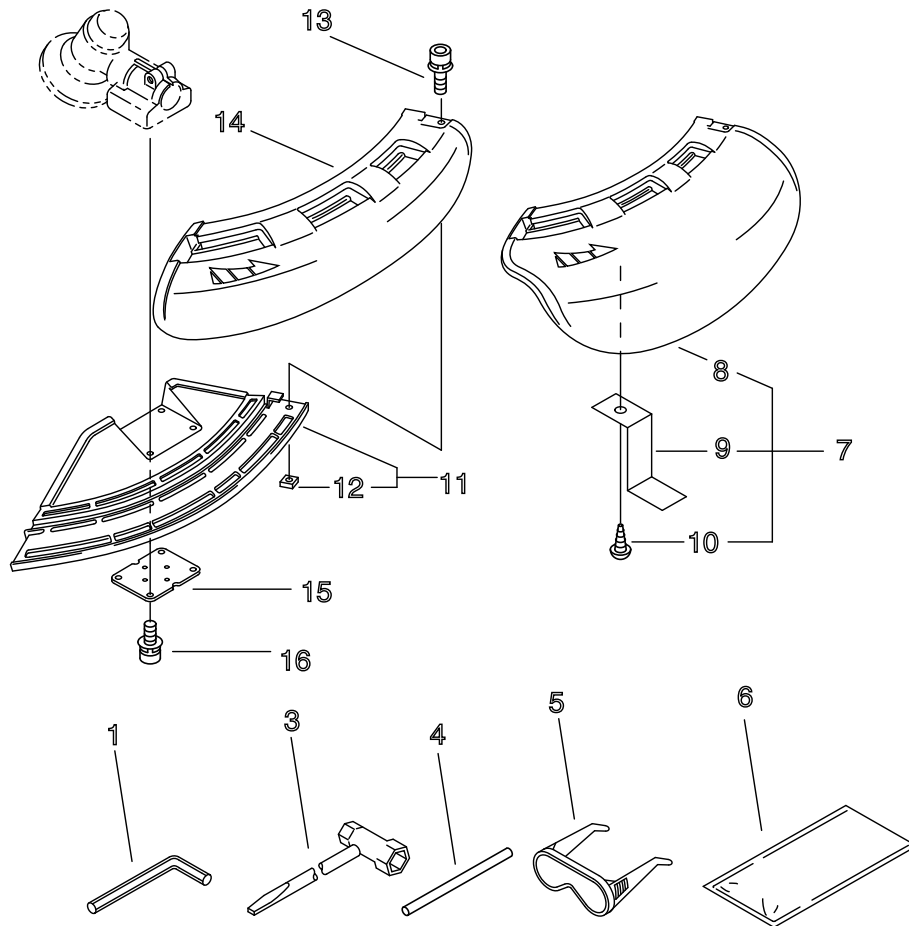
KEY	LV	PART NUMBER	Q'TY	DESCRIPTION	REMARKS	NOTE1	NOTE2
1		890617-43130	1	LABEL,CAUTION			
2		P021-013540	1	FRONT HANDLE ASY			
3	+	91118-05035	4	BOLT			
4	+	900500-00005	4	NUT 5	5		
5		610281-54131	1	COLLER			
6	+	900253-04025	2	SCREW 4*25	4*25		
7		610018-27830	1	SHAFT, DRIVE			
9		890152-04930	1	LABEL, CAUTION			
10		C624-000020	1	HANGER,HARNESS			
15		V495-001010	2	BAND			
16		91118-05014	2	BOLT			
17		P021-013560	1	BRACKET SET,THROTTLE			
4	+	900500-00005	4	NUT 5	5		
18	+	91118-05035	1	BOLT			
19	+	91118-05025	3	BOLT	CM-5*25		
20		C461-000000	1	LATCH,THROTTLE			
21		C461-000010	1	LATCH,THROTTLE			
22		V452-000120	1	SPRING,TORSION			
23		C450-000110	1	TRIGGER,THROTTLE			
24		178043-42230	1	SPRING, THR. RETURN			
25		A440-001151	1	SWITCH, ON OFF			
27		178090-52632	1	LOCKOUT, T. CONTROL			
28		178013-52630	1	SPRING, THR. LOCK			
32		610206-28230	1	HOUSING ASS'Y D.SFT.			
33		301001-46731	1	HARNESS, SHOULDER	L1910,L1550		
36		V430-002440	1	CABLE,BOWDEN			

12. Handle



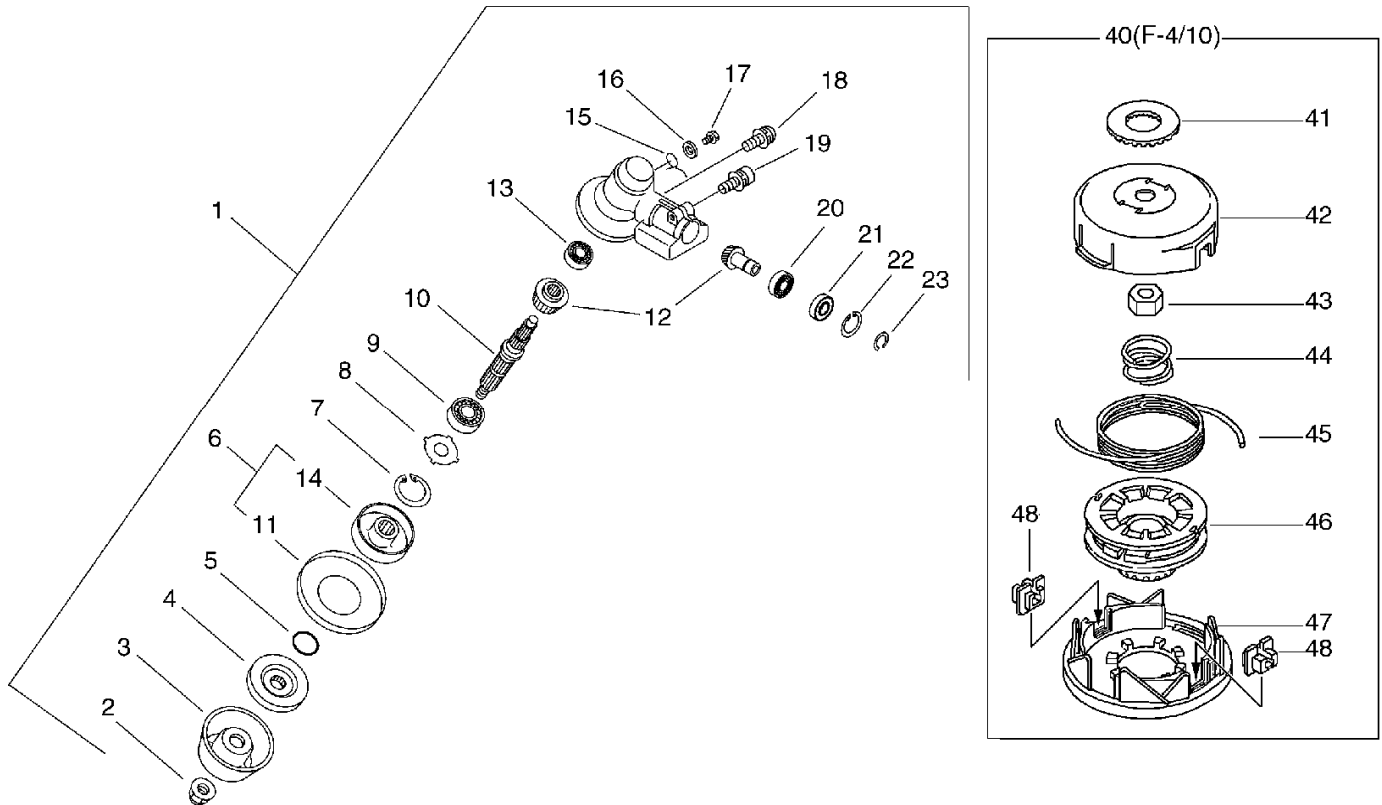
KEY	LV	PART NUMBER	Q'TY	DESCRIPTION	REMARKS	NOTE1	NOTE2
38		900502-00006	2	NUT 6 (3N)	3N6		
40		V475-004180	1	TUBE	7*8.5*L35		
41		V475-004030	1	TUBE	7*180		
42		V420-000960	2	CUSHION			
43		P021-012630	2	BRACKET ASM., HANDLE			
44	+	91118-05025	4	BOLT	CM-5*25		

13. Shield,Tools



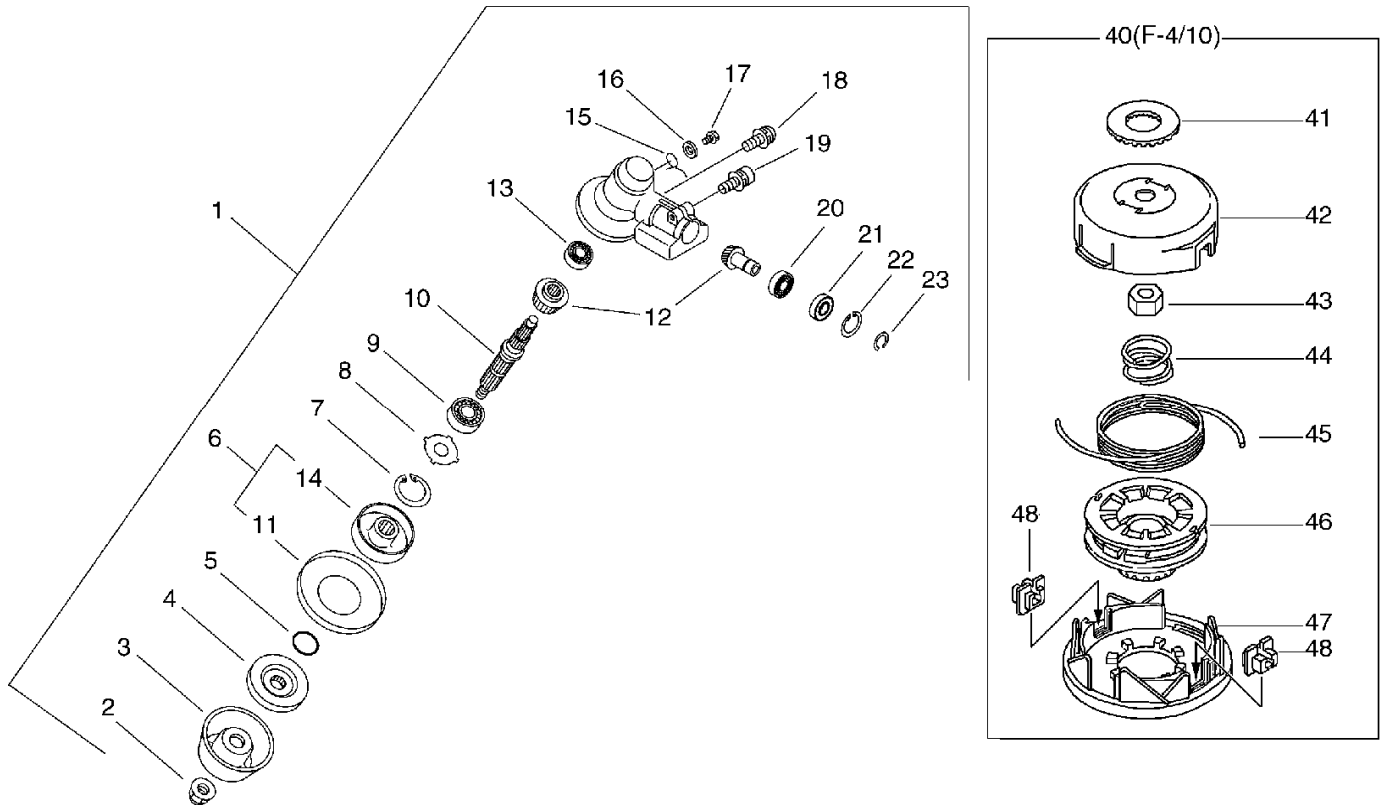
KEY	LV	PART NUMBER	Q'TY	DESCRIPTION	REMARKS	NOTE1	NOTE2
1		895610-00130	1	L-WRENCH (4MM)			
3		895415-66630	1	WRENCH, SPCKET			
4		897518-01131	1	LOCKING TOOL			
5		X690-000050	1	GOGGLE	GOGGLE + NOTE		
6		898510-07130	1	BAG, TOOL			
7		P021-002620	1	SHIELD, BLADE(W/KNIFE)			
8	+	C550-000080	1	SHIELD, BLADE			
9	+	C554-000000	1	KNIFE, CORD			
10	+	900252-05012	1	SCREW 5*12	5*12		
11		C550-000100	1	SHIELD, BLADE			
12	+	900565-00005	1	NUT	5		
13		91118-05018	1	BOLT	CM-5*18		
14		C550-000090	1	SHIELD, BLADE			
15		699013-56830	1	PLATE, SHIELD			
16		91118-05025	4	BOLT	CM-5*25		

14. Gear Case



KEY	LV	PART NUMBER	Q'TY	DESCRIPTION	REMARKS	NOTE1	NOTE2
1		P021-012612	1	CASE,GEAR			
2	+	610320-52130	1	NUT 10			
3	+	699229-56830	1	PLATE, COVER			
4	+	610314-52130	1	PLATE, ADAPTER (L)			
5	+	900720-00012	1	O-RING 12	P-12		
6	+	610313-52932	1	FIXTURE,BLADE			
11	++	610352-56830	1	PLATE, CUP			
14	++	610313-52132	1	FIXTURE,BLADE			
7	+	900702-00032	1	CIRCLIP 32	CR-32		
8	+	610444-56830	1	WASHER			
9	+	900812-06201	1	BEARING, BALL 6201	6201DDU(LLU)		
10	+	610310-56831	1	SHAFT, P.T.O.			
12	+	610300-40830	1	GEAR SET			
13	+	900810-00626	1	BEARING, BALL 626	626		
15	+	610473-52131	1	SPRING			
16	+	900603-50008	1	WASHER	8.5*18*0.8T		
17	+	610434-50031	1	BOLT 8* 8	M8*8		
18	+	900242-05010	1	SCREW 5*10	5*10		
19	+	91118-06025	1	BOLT			
20	+	900855-06900	1	BEARING, BALL 6900	6900		
21	+	900858-06900	1	BEARING, BALL 6900Z	6900Z		
22	+	900702-00022	1	CIRCLIP 22	CR-22		
23	+	900706-00010	1	CIRCLIP 10	WR-10		
40		X047-000260	1	CUTTER,ASM LINE	F4/10 M10L		
41	+	V332-000000	1	WASHER,CIRCULAR 24			
42	+	P022-003310	1	HOUSING			

14. Gear Case



KEY	LV	PART NUMBER	Q'TY	DESCRIPTION	REMARKS	NOTE1	NOTE2
43	+	P022-001220	1	NUT			
44	+	P022-001250	1	SPRING	DS-3/10		
45	+	P022-006190	1	NYLON CODE	3.0*2M		
46	+	P022-001260	1	BOBBIN	DS-3/10		
47	+	P022-003330	1	COVER			
48	+	P022-000710	2	EYELET	T4		

Index

Patrs Number	Key No.	Patrs Number	Key No.	Patrs Number	Key No.
01020-05160	1 - 2	20020-85540	11 - 12	62901-15310	2 - 7
01020-05160	2 - 8	20035-71220	7 - 3	62901-21120	3 - 5
01020-05162	3 - 18	20036-81195	9 - 5	62901-21130	3 - 6
01211-03100	3 - 4	20036-81440	9 - 19	62901-21320	3 - 1
01280-04062	5 - 6	20036-81670	9 - 10	62901-41210	4 - 7
01610-05080	2 - 9	20087-51210	6 - 5	62901-41230	4 - 9
01613-05080	10 - 8	20087-51231	6 - 6	62901-42260	4 - 3
02036-06001	3 - 11	20089-81185	9 - 4	62901-42270	4 - 4
02403-03100	7 - 2	20112-85351	11 - 8	62901-43240	5 - 12
02432-28120	3 - 12	22100-71430	6 - 7	62901-43310	5 - 14
02432-42170	3 - 16	22100-81230	9 - 16	62901-43330	5 - 11
11022-04120	3 - 7	22100-81250	9 - 17	62901-44130	5 - 20
11022-04140	5 - 13	22197-33960	11 - 9	62901-44210	1 - 13
11022-04140	5 - 23	301001-46731	12 - 33	62901-44231	1 - 15
11022-05202	11 - 16	37013-75120	8 - 3	62901-44241	5 - 21
11022-05282	3 - 17	37013-75130	8 - 4	62901-44250	5 - 22
11022-05452	3 - 19	37013-75310	8 - 8	62901-51012	6 - 1
11024-04162	3 - 22	37013-75320	8 - 9	62901-51022	6 - 2
11024-04162	8 - 13	37013-75330	8 - 10	62901-51310	6 - 4
11024-04265	7 - 10	37013-81310	9 - 24	62901-71310	7 - 8
11203-05605	10 - 7	37013-81350	9 - 7	62901-81211	9 - 15
11204-04060	2 - 5	37013-85310	11 - 13	62901-82330	10 - 6
11206-05225	1 - 10	37019-41240	4 - 10	62901-85110	11 - 2
11620-10000	5 - 9	38510-32110	3 - 20	62901-85220	11 - 14
12492-40080	1 - 3	38510-75010	8 - 1	62901-85310	11 - 6
12492-50290	5 - 7	38510-75110	8 - 2	62902-12310	1 - 4
12492-50310	1 - 16	38510-75140	8 - 5	62902-12320	1 - 6
13001-10005	7 - 11	38510-75210	8 - 11	62902-15131	2 - 3
14350-01101	1 - 5	38510-75310	8 - 12	62902-41110	4 - 5
14350-02001	7 - 7	38510-85310	11 - 1	62902-41120	4 - 6
15270-01002	1 - 11	60084-98320	9 - 21	62902-41310	4 - 1
15401-10028	5 - 15	60902-98030	9 - 13	62902-42020	4 - 2
17520-08900	5 - 4	60908-98360	9 - 14	62902-43310	5 - 2
178013-52630	12 - 28	610018-27830	12 - 7	62902-44111	5 - 16
178043-42230	12 - 24	610206-28230	12 - 32	62902-44121	5 - 17
178090-52632	12 - 27	610281-54131	12 - 5	62902-85320	11 - 15
19402-00361	3 - 23	610300-40830	14 - 12	62905-43011	5 - 1
20000-31140	3 - 14	610310-56831	14 - 10	62905-43131	5 - 5
20000-41320	4 - 8	610313-52132	14 - 14	62905-71110	7 - 1
20000-85221	11 - 5	610313-52932	14 - 6	62905-71250	7 - 5
20010-75190	8 - 6	610314-52130	14 - 4	62905-71311	7 - 4
20010-75210	8 - 7	610320-52130	14 - 2	62905-71320	7 - 6
20016-81140	9 - 11	610352-56830	14 - 11	62905-71340	7 - 12
20016-81250	9 - 12	610434-50031	14 - 17	62907-15011	2 - 1
20016-81280	9 - 25	610444-56830	14 - 8	62907-15111	2 - 2
20016-81420	9 - 8	610473-52131	14 - 15	62907-15161	2 - 4
20016-81450	9 - 20	62901-12220	1 - 8	62907-43120	5 - 3
20016-81510	9 - 9	62901-12320	1 - 7	62907-43210	5 - 8
20016-85400	11 - 7	62901-15210	2 - 6	62907-44010	1 - 12

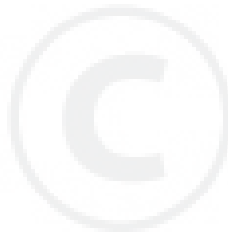
Index

Patrs Number	Key No.	Patrs Number	Key No.	Patrs Number	Key No.
62907-44220	1 - 14	900500-00005	12 - 4	X690-000050	13 - 5
62908-43220	5 - 10	900502-00006	12 - 38		
62908-44140	5 - 18	900565-00005	13 - 12		
62908-44310	5 - 19	900603-50008	14 - 16		
62908-81011	9 - 1	900702-00022	14 - 22		
62908-81311	9 - 2	900702-00032	14 - 7		
62908-82120	10 - 2	900706-00010	14 - 23		
62908-82310	10 - 3	900720-00012	14 - 5		
68511-31010	3 - 9	900810-00626	14 - 13		
68511-31110	3 - 10	900812-06201	14 - 9		
68511-31210	3 - 13	900855-06900	14 - 20		
68511-33110	3 - 15	900858-06900	14 - 21		
68511-91320	3 - 25	91118-05014	12 - 16		
68511-98310	1 - 1	91118-05018	13 - 13		
68511-98320	3 - 8	91118-05025	12 - 19		
68512-32310	3 - 21	91118-05025	12 - 44		
68512-82010	10 - 1	91118-05025	13 - 16		
68512-82030	10 - 4	91118-05035	12 - 3		
68512-82130	10 - 5	91118-05035	12 - 18		
68512-83310	1 - 9	91118-06025	14 - 19		
68512-85020	11 - 3	A440-001151	12 - 25		
68512-85120	11 - 4	C450-000110	12 - 23		
68512-91330	3 - 24	C461-000000	12 - 20		
68512-91340	8 - 14	C461-000010	12 - 21		
68906-85320	11 - 11	C550-000080	13 - 8		
699013-56830	13 - 15	C550-000090	13 - 14		
699229-56830	14 - 3	C550-000100	13 - 11		
70030-71620	7 - 9	C554-000000	13 - 9		
70030-81380	9 - 23	C624-000020	12 - 10		
70064-81290	9 - 6	P021-002620	13 - 7		
70097-81220	9 - 22	P021-012612	14 - 1		
70097-81310	9 - 27	P021-012630	12 - 43		
70097-81320	9 - 26	P021-013540	12 - 2		
70140-51113	6 - 3	P021-013560	12 - 17		
72320-83121	3 - 2	P022-000710	14 - 48		
72320-83132	3 - 3	P022-001220	14 - 43		
72933-81270	9 - 18	P022-001250	14 - 44		
72933-81450	9 - 3	P022-001260	14 - 46		
72933-85620	11 - 10	P022-003310	14 - 42		
890152-04930	12 - 9	P022-003330	14 - 47		
890617-43130	12 - 1	P022-006190	14 - 45		
895415-66630	13 - 3	V332-000000	14 - 41		
895610-00130	13 - 1	V420-000960	12 - 42		
897518-01131	13 - 4	V430-002440	12 - 36		
898510-07130	13 - 6	V452-000120	12 - 22		
900242-05010	14 - 18	V475-004030	12 - 41		
900252-05012	13 - 10	V475-004180	12 - 40		
900253-04025	12 - 6	V495-001010	12 - 15		
900500-00005	12 - 4	X047-000260	14 - 40		

YAMABIKO CORPORATION

7-2 SUEHIROCHO 1-CHOME, OHME, TOKYO 198-8760, JAPAN
PHONE: 81-428-32-6118. FAX: 81-428-32-6145.

ECHO[®]



(37)
No.