



PARTS CATALOG

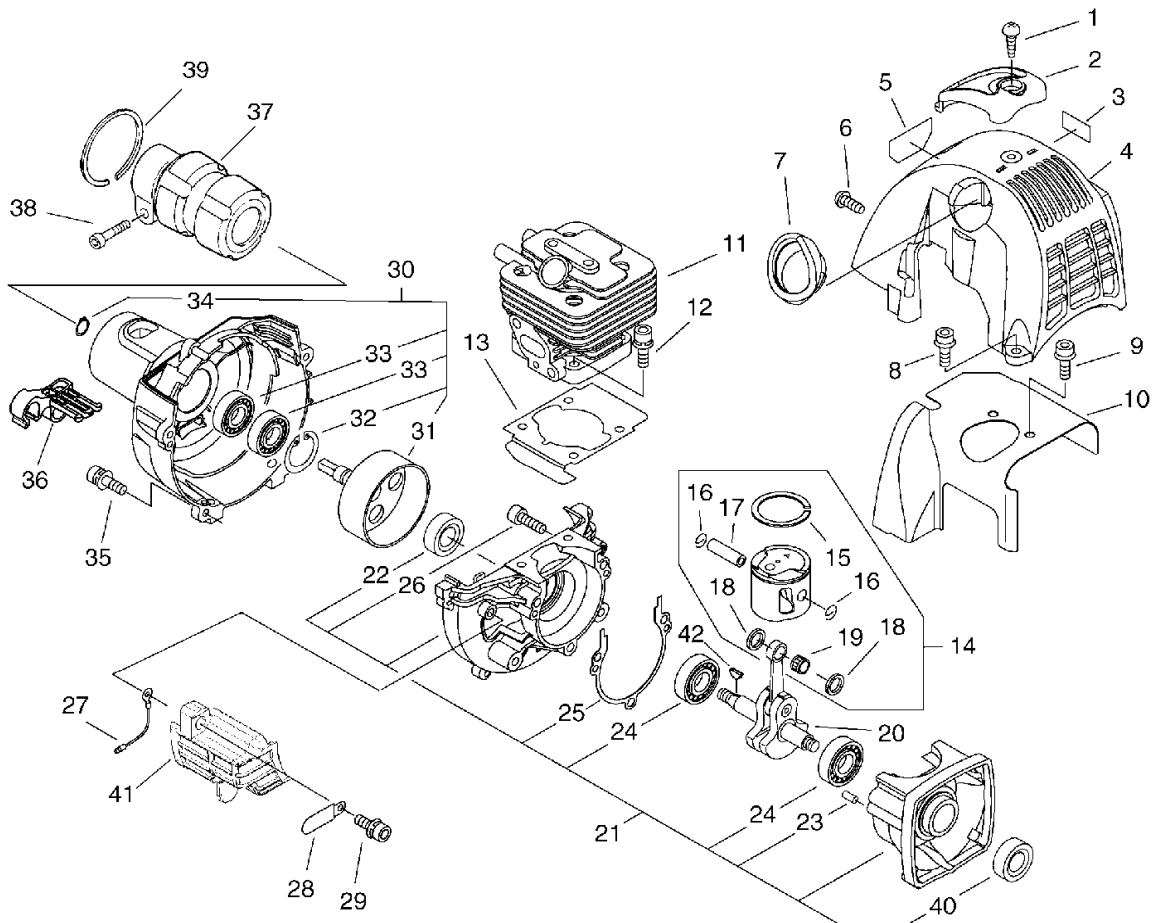
GRASS-TRIMMER / BRUSHCUTTER

SRM-265ES/U(37)

37008991 - 37009140

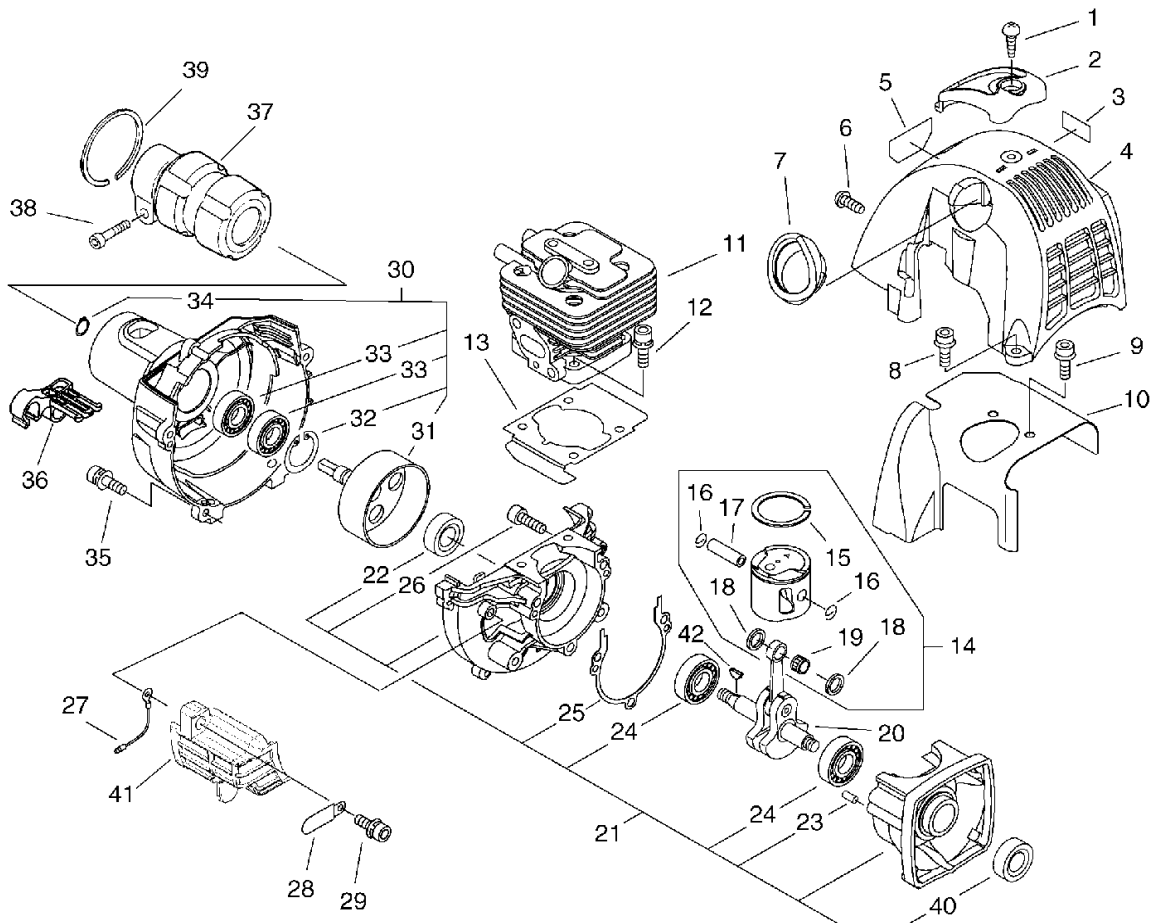
P014-000640-08Jb

1. CYLINDER, CRANKCASE, PISTON



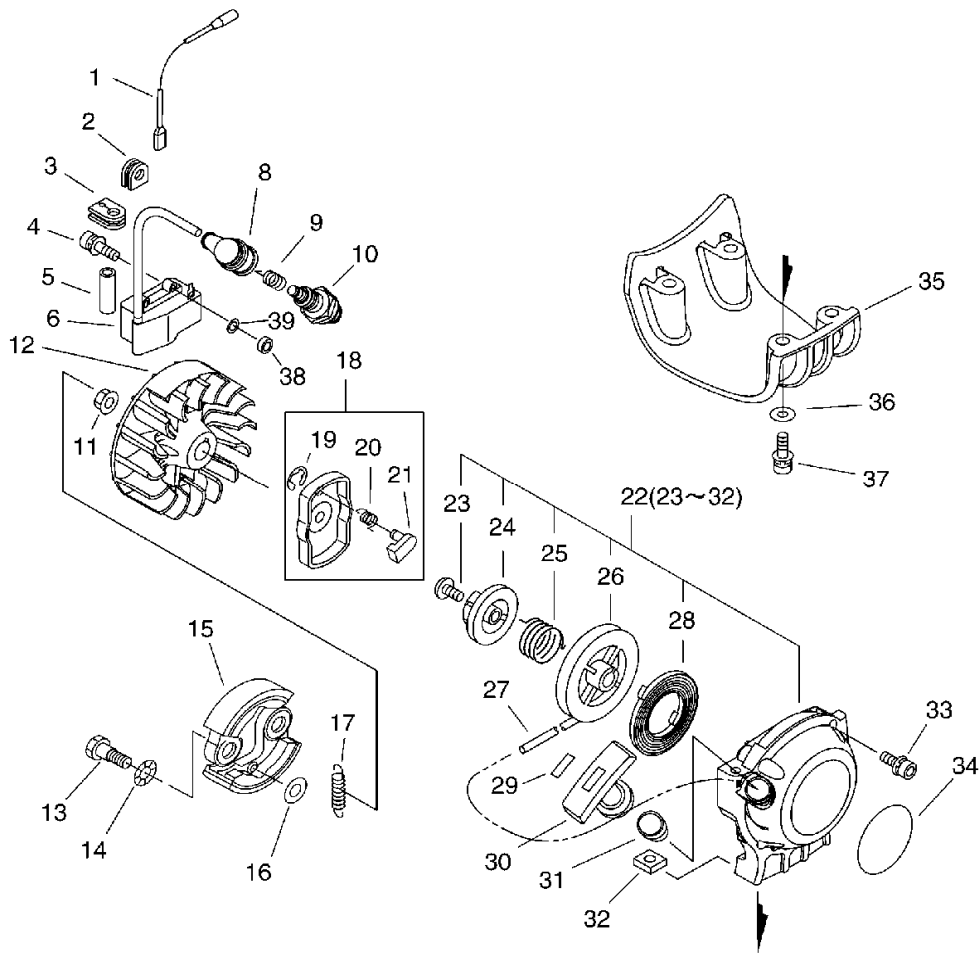
KEY	LV	PART NUMBER	Q'TY	DESCRIPTION	REMARKS	NOTE1	NOTE2
1		900256-05016	1	SCREW, TAPPING	5*16		
2		A162-000100	1	GUARD, TOP			
3		X505-002310	1	LABEL, CAUTION	HOT CAUTION		
4		A160-000780	1	COVER, CYLINDER			
5		X547-000700	1	LABEL, ECHO	ECHO+SRM- 265ES		
6		91140-05012	1	BOLT	M5*12		
7		A162-000080	1	GUARD, TOP			
8		91121-05016	1	BOLT, FLANGE	10.9 SILVER		
9		900106-05008	2	BOLT, H.S. 5*8	5*8		
10		A160-000691	1	COVER, CYLINDER			
11		A130-000761	1	CYLINDER			
12		900162-05025	4	BOLT, H.S. 5*25	5*25 W, SW		
13		V100-000210	1	GASKET, CYL	T0.5 38.1		
14		P021-009771	1	PISTON KIT			
15	+	A101-000170	1	RING, PISTON	34*1.5*1.5		
16	+	100015-03931	2	CIRCLIP, PISTON PIN			
17	+	100013-35430	1	PIN, PISTON	6*9*27.8		
18	+	100014-53630	2	SPACER, PISTON PIN			
19	+	100012-16131	1	BEARING, NEEDLE			
20		A011-000434	1	CRANKSHAFT, ASY			
21		P021-010801	1	CRANKCASE KIT			
22	+	100212-42031	1	OILSEAL	ISCD 12*22*4.5		
40	+	V505-000050	1	SEAL, OIL 12			
23	+	100215-03930	2	PIN, DOWEL			

1. CYLINDER, CRANKCASE, PISTON



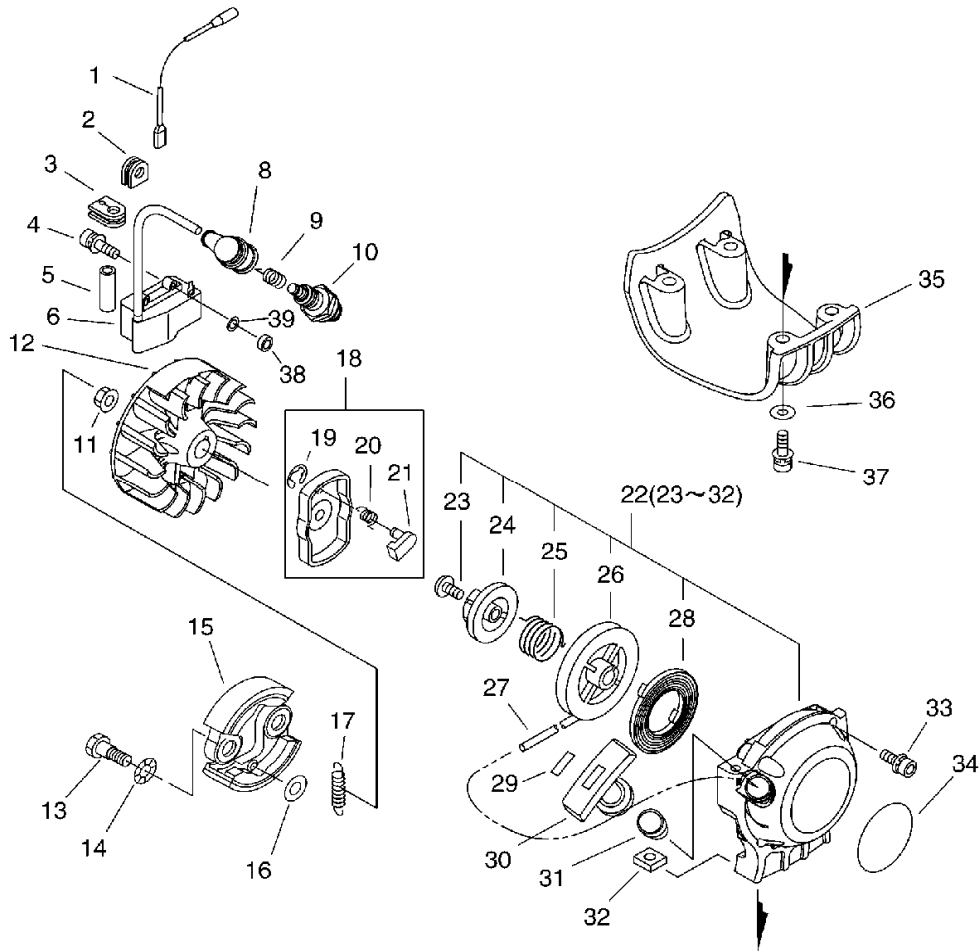
KEY	LV	PART NUMBER	Q'TY	DESCRIPTION	REMARKS	NOTE1	NOTE2
24	+	94035-36201	2	BEARING BALL	6201X3JR2C3		
25	+	100242-42030	1	GASKET, CRANKCASE			
26	+	900162-05028	3	BOLT, H.S. 5*28	5*28 W,SW		
27		156635-43130	1	LEAD, GROUND			
28		159116-21231	1	CLAMP			
29		91118-05016	1	BOLT	CM-5*16		
30		P021-013530	1	COVER,FAN ASSY			
31	+	A556-000040	1	DRUM,CLUTCH			
32	+	900702-00028	1	CIRCLIP 28	CR-28		
33	+	900807-06001	2	BEARING, BALL 6001	6001V(LB)		
34	+	900701-00012	1	CIRCLIP 12	CS-12		
35		V202-000090	4	BOLT,4	4*16		
36		V491-000180	1	CLIP			
37		A575-000110	1	FIXTURE,MAIN PIPE			
38		91118-05028	1	BOLT	CM-5*28		
39		900702-00042	1	CIRCLIP 42	CR-42		
41		A127-000160	1	COVER,DUST			
42		100142-12330	1	KEY, WOODRUFF			
43		X530-000210	1	LABEL,EYE CATCHER		Disuse	

2. STARTER, MAGNETO, CLUTCH



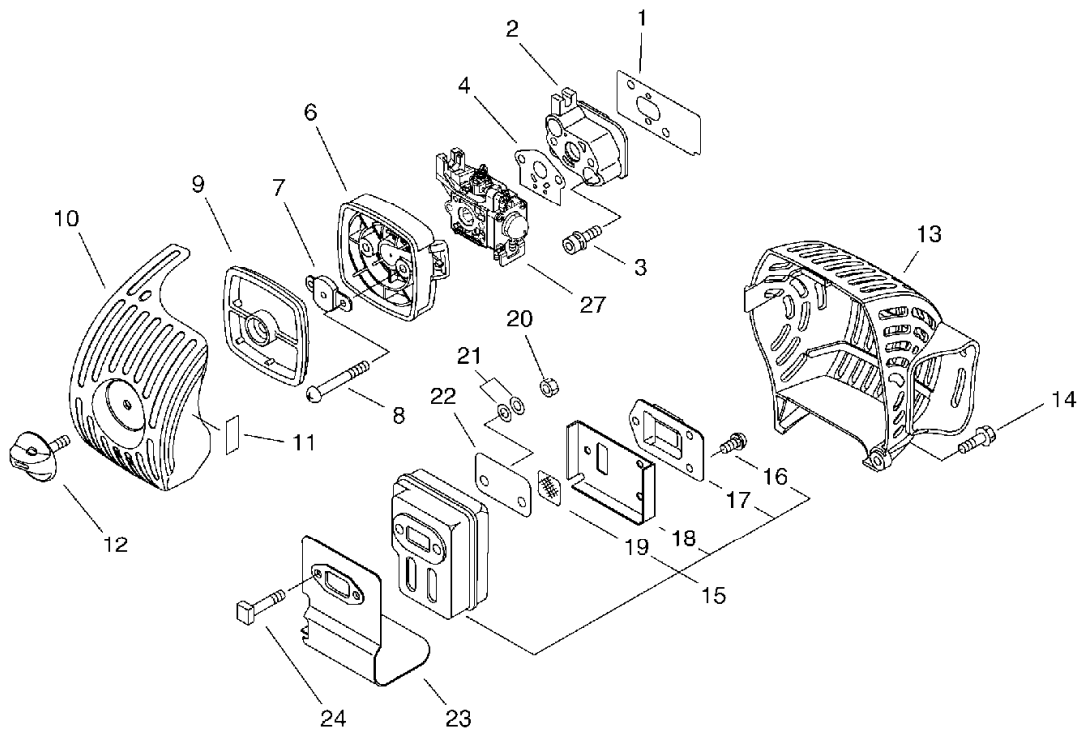
KEY	LV	PART NUMBER	Q'TY	DESCRIPTION	REMARKS	NOTE1	NOTE2
1		162010-04561	1	LEAD, GROUND	210L		
2		156110-04920	1	BUSHING			
3		V135-000030	1	GROMMET, HT CORD			
4		V202-000130	2	BOLT, 4	CBF-4*20		
5		V475-003380	1	TUBE			
6		A411-000250	1	COIL, IGNITION	ID#C10048		
8		A427-000012	1	CAP, SPARK PLUG		Sus. by A427-000013	
9		A426-000010	1	TERMINAL, SPARK PLUG			
10		A425-000000	1	SPARK PLUG	BPMR8Y		
11		900515-00008	1	NUT, FLANGE 8	8		
12		A409-000310	1	ROTOR, MAGNETO	ID:C10744G		
13		175046-56030	2	SHAFT, CLUTCH			
14		175049-56030	2	WASHER	8.5*16*0.5		
15		A553-000010	2	ARM, CLUTCH			
16		175048-05530	2	WASHER (I)	6.2*19*1.0		
17		V451-000400	1	SPRING, TENSION			
18		A052-000180	1	PULLEY, ASM STARTER			
19	+	P022-002100	2	E-RING	4		
20	+	P022-006510	2	SPRING, RETURN			
21	+	P022-006850	2	PAWL, STARTER			
22		A051-000940	1	STARTER, RECOIL ASY			
23	+	177236-61830	1	SCREW			
24	+	P022-008280	1	PLATE, CAM			
25	+	P022-008270	1	SPRING, DAMPER			
26	+	P022-006830	1	DRUM			

2. STARTER, MAGNETO, CLUTCH



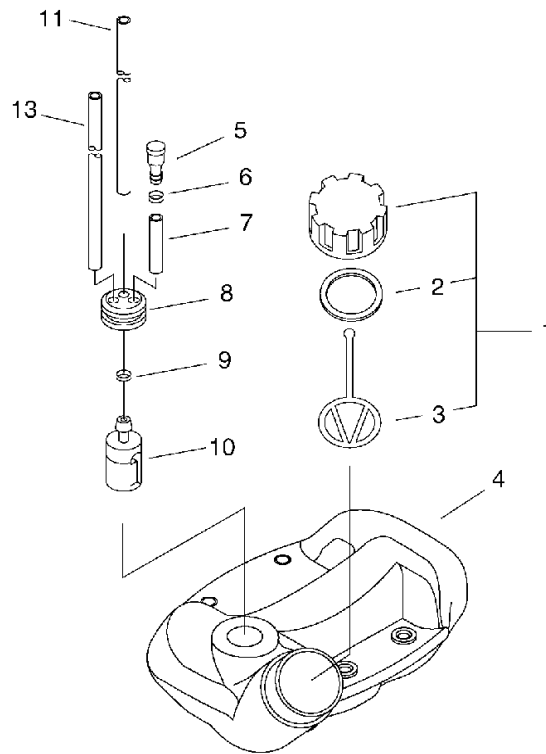
KEY	LV	PART NUMBER	Q'TY	DESCRIPTION	REMARKS	NOTE1	NOTE2
27	+	P022-008260	1	ROPE	3M/M		
28	+	177220-42030	1	SPRING, REWIND			
29	+	177246-11120	1	CLIP, STARTER ROPE			
30	+	177228-27030	1	GRIP, STARTER			
31	+	177227-42030	1	GUIDE, ROPE			
32	+	900565-00005	4	NUT	5		
33		V202-000090	4	BOLT,4	4*16		
34		X502-000330	1	LABEL,ECHO	ECHO		
35		A175-000030	1	STAND			
36		900603-00005	4	WASHER 5	5.5*12*0.8		
37		91118-05025	4	BOLT	CM-5*25		
38		V322-000030	2	WASHER,CIRCULAR 4	CY4715-30MBK	Sus. by V322-000031	
38		V322-000031	2	WASHER,CIRCULAR 4			
39		900603-00004	2	WASHER 4	4.5*10*0.8		

3. AIR CLEANER, CARBURETOR, MUFFLER



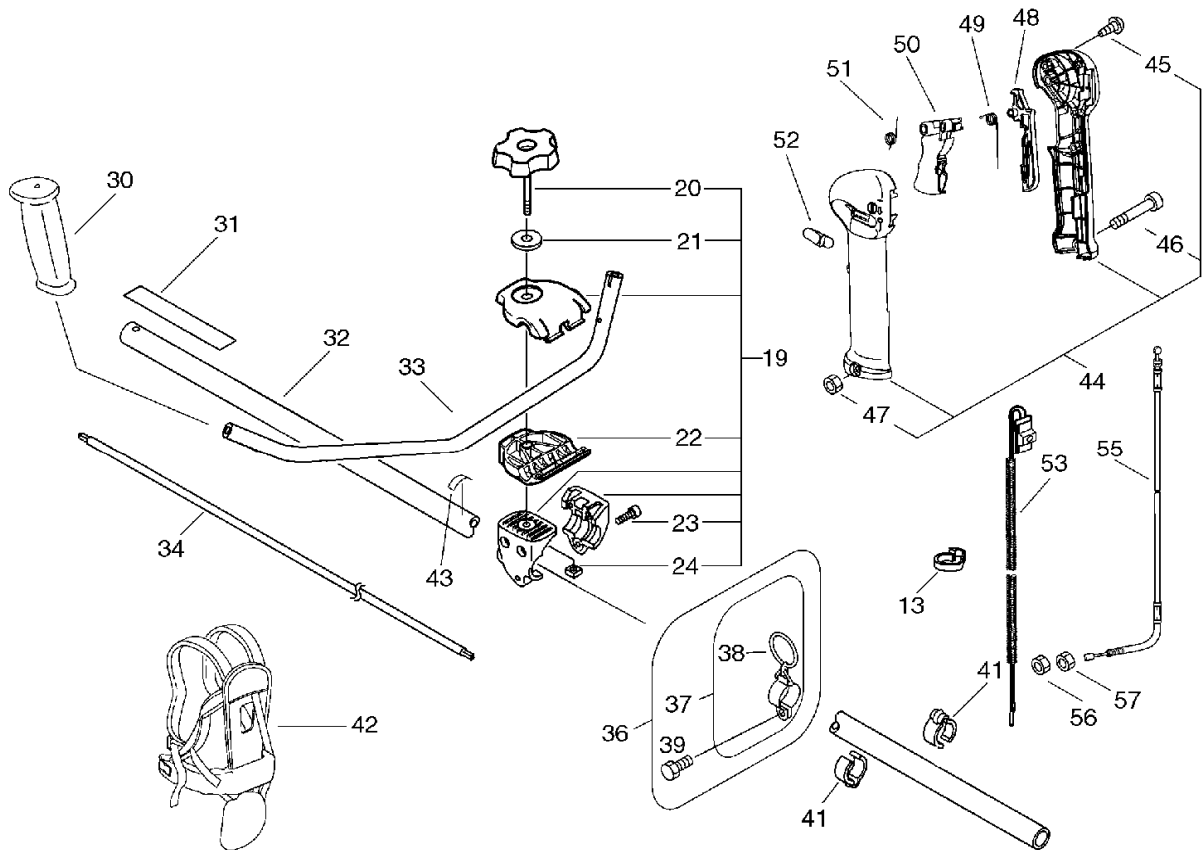
KEY	LV	PART NUMBER	Q'TY	DESCRIPTION	REMARKS	NOTE1	NOTE2
1		V103-000210	1	GASKET,INTAKE			
2		A200-000200	1	INSULATOR,INTAKE			
3		900162-05025	2	BOLT, H.S. 5*25	5*25 W,SW		
4		V103-000270	1	GASKET,INTAKE	T1.5-11		
27		A021-001740	1	CARBURETOR,DIAPHRAGM	RB-K94	Sr/Nr 37008991 and after	
6		P021-004480	1	CASE, AIR CLEANER			
7		129011-52730	1	PLATE, PREVENT			
8		900242-05065	2	SCREW 5*65	5*65		
9		130310-54130	1	FILTER, AIR			
10		A232-000330	1	LID,CLEANER			
11		890332-52730	1	LABEL, CHOKE			
12		V299-000250	1	KNOB,FASTENER			
13		A320-000340	1	COVER,MUFFLER			
14		91121-05016	1	BOLT, FLANGE	10.9 SILVER		
15		P021-011580	1	MUFFLER ASY			
16	+	91367-04010	3	SCREW	4*10/SW(SUS)		
17	+	A313-000830	1	GUIDE, EXHAUST	ID#1330		
18	+	V104-000790	1	GASKET,EXHAUST			
19	+	145862-40630	1	SCREEN, MUFFLER			
20		900500-00005	2	NUT 5	5		
21		92280-05000	2	WASHER, NORD-LOCK	NL5 5.4*9*1.8		
22		V150-001760	1	PLATE,EYE			
23		V104-000780	1	GASKET,EXHAUST			
24		V203-000120	2	BOLT,5	L=60		

4. FUEL TANK



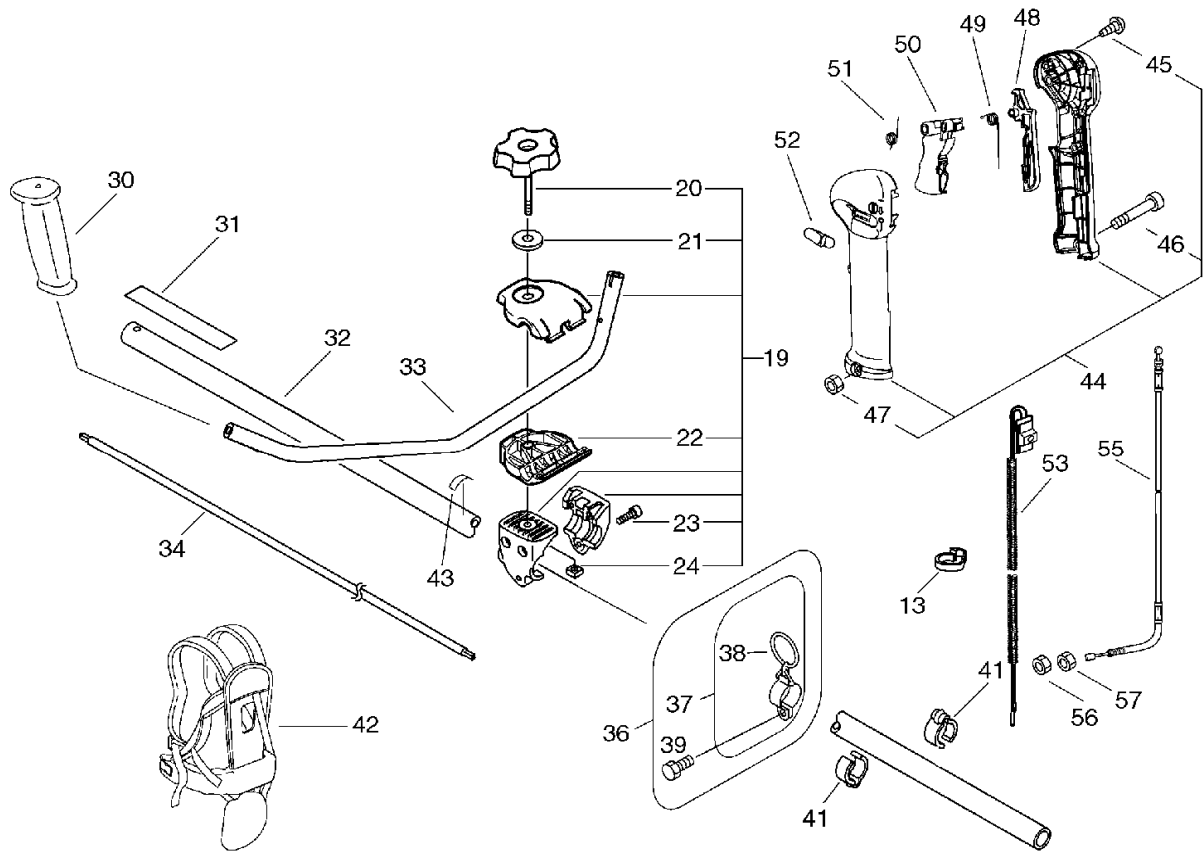
KEY	LV	PART NUMBER	Q'TY	DESCRIPTION	REMARKS	NOTE1	NOTE2
1		P021-012210	1	CAP,FUEL ASY			
2	+	131016-55830	1	GASKET, FUEL CAP			
3	+	A365-000060	1	CONNECTOR,CAP	L=123		
4		A350-000440	1	TANK, FUEL			
5		A356-000030	1	VALVE,CHECK			
6		132013-26630	1	CLIP	6.5MM		
7		V471-001180	1	PIPE	3*6*35 NBR		
8		132115-55930	1	GROMMET, FUEL			
9		132013-09820	1	CLIP	6MM		
10		131205-19830	1	STRAINER, FUEL		Sus. by 131205-19831	
11		V470-000580	1	PIPE	3*5*195		
12		132001-15030	1	VALVE, CHECK		Disuse	
13		132010-40830	1	PIPE 3* 6* 75	3*6*75 YL		

5. HANDLE



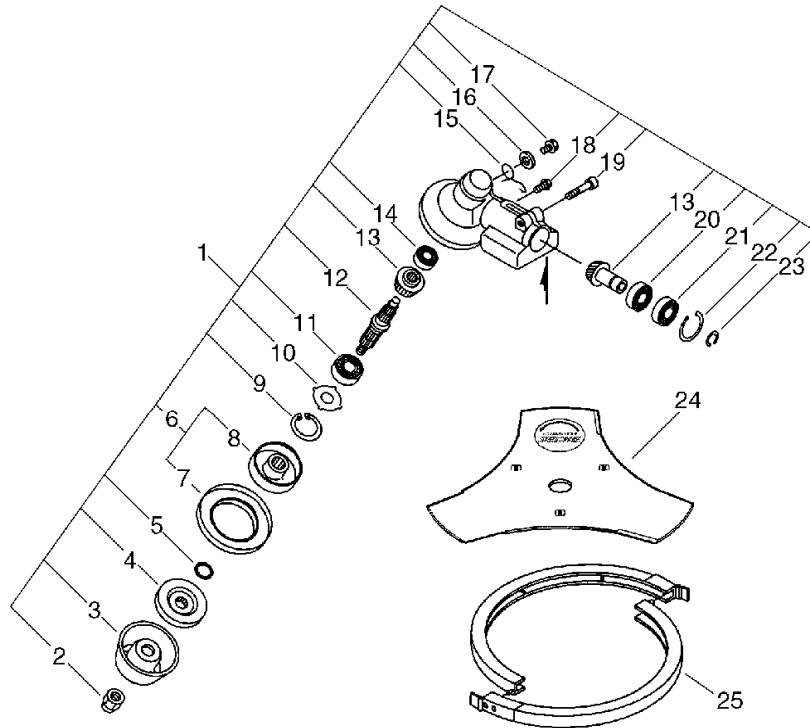
KEY	LV	PART NUMBER	Q'TY	DESCRIPTION	REMARKS	NOTE1	NOTE2
13		159112-09961	1	CLIP			
19		P021-012820	1	FIXTURE,ASY HANDLE	SRM-2655SI		
20	+	V299-000110	1	KNOB,FASTENER			
21	+	605014-54230	1	WASHER			
22	+	C423-000030	1	FIXTURE,HANDLE			
23	+	91118-05030	3	BOLT			
24	+	900565-50008	1	NUT	8*1.25		
30		C403-000031	1	GRIP,HANDLE			
31		890617-43130	1	LABEL,CAUTION			
32		C050-000320	1	PIPE,MAIN			
33		C400-000211	1	HANDLE,FRONT			
34		C504-000050	1	SHAFT,DRIVE	7*1540		
36		P021-013580	1	RING, HARNESS KIT			
37	+	301200-21330	1	HOOK ASS'Y			
38	++	301015-05330	1	HOOK, BAND			
39	+	91121-05012	1	BOLT, FLANGE	10.9 SILVER		
41		224924-52130	2	CLIP	25MM		
42		C062-000182	1	HARNESS,SHOULDER			
43		890152-04930	1	LABEL, CAUTION			
44		P021-014090	1	GRIP ASY,F-HANDLE			
45	+	900256-04016	3	SCREW 4*16	4*16		
46	+	91119-05030	1	BOLT			
47	+	900500-00005	1	NUT 5	5		
48		C460-000110	1	LOCKOUT, THROTTLE			
49		V452-000350	1	SPRING,TORSION			
50		C450-000270	1	CONTROL, THROTTLE			

5. HANDLE



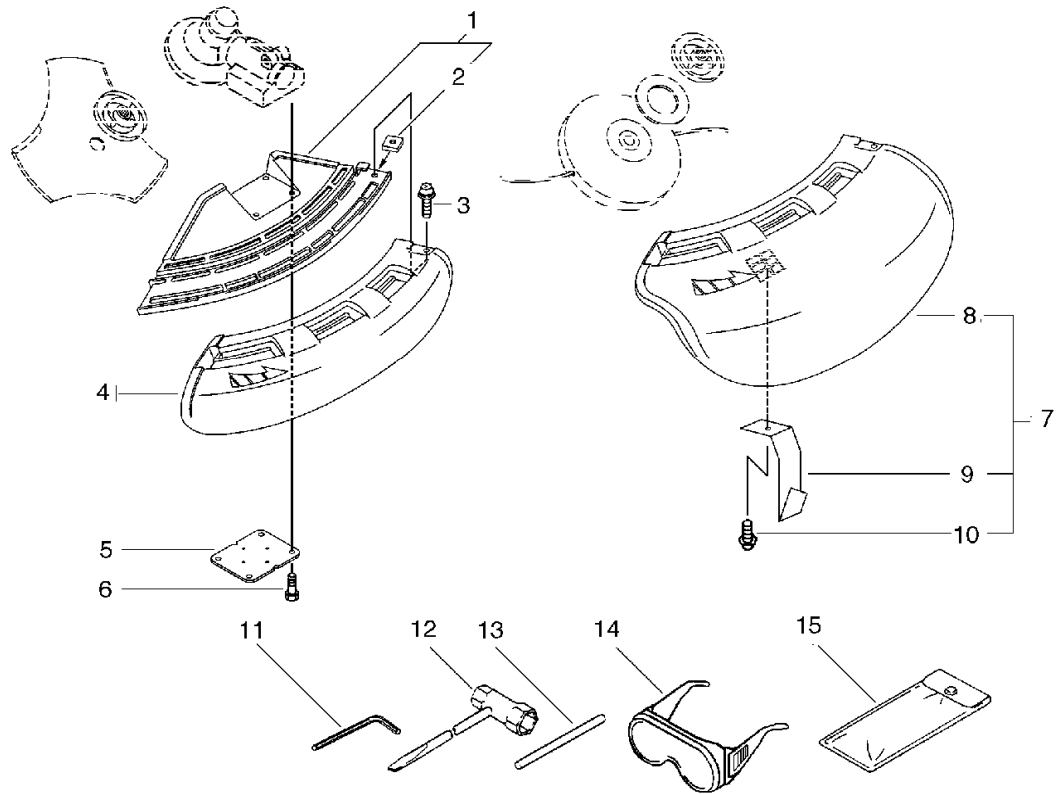
KEY	LV	PART NUMBER	Q'TY	DESCRIPTION	REMARKS	NOTE1	NOTE2
51		V452-000360	1	SPRING,TORSION			
52		C463-000020	1	KNOB, LATCH			
53		P021-014360	1	SWITCH, ON OFF			
55		V430-002310	1	CABLE,BOWDEN	870+86	Sr/Nr 37008991 and after	
56		900502-00006	1	NUT 6 (3N)	3N6	Sr/Nr 37008991 and after	
57		900518-00006	1	NUT, FLANGE	6	Sr/Nr 37008991 and after	

6. GEAR CASE



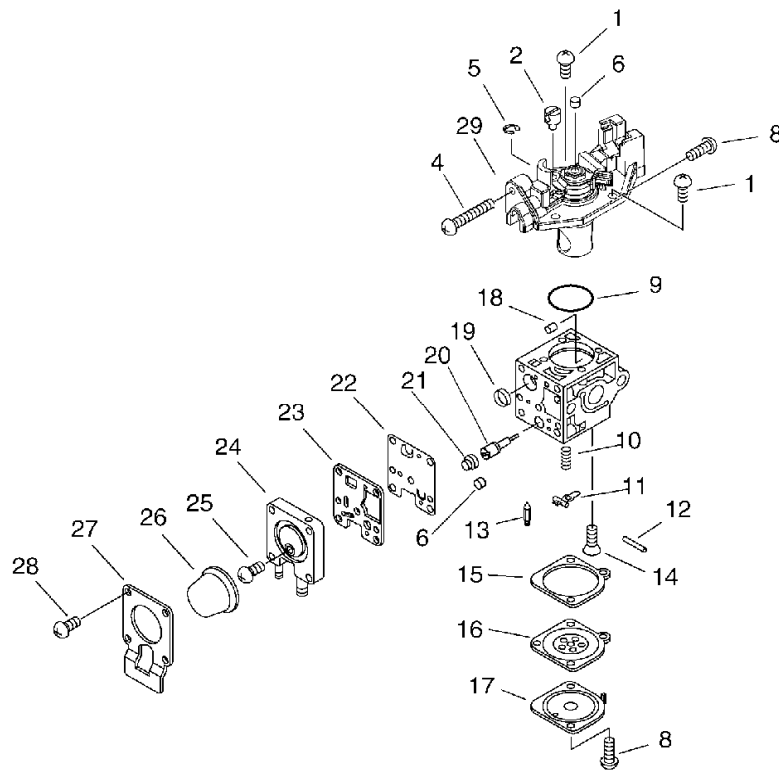
KEY	LV	PART NUMBER	Q'TY	DESCRIPTION	REMARKS	NOTE1	NOTE2
1		P021-012600	1	CASE,GEAR			
2	+	610320-52130	1	NUT 10			
3	+	699229-56830	1	PLATE, COVER			
4	+	610314-52130	1	PLATE, ADAPTER (L)			
5	+	900720-00012	1	O-RING 12	P-12		
6	+	C535-000001	1	FIXTURE, BLADE			
7	+	610352-56830	1	PLATE, CUP			
8	+	C535-000011	1	FIXTURE, BLADE			
9	+	900702-00032	1	CIRCLIP 32	CR-32		
10	+	610444-56830	1	WASHER			
11	+	900812-06201	1	BEARING, BALL 6201	6201DDU(LLU)		
12	+	610310-56830	1	SHAFT, P.T.O.			
13	+	V000-000040	1	GEAR SET, BEVEL			
14	+	900810-00626	1	BEARING, BALL 626	626		
15	+	610473-52131	1	SPRING			
16	+	900603-50008	1	WASHER	8.5*18*0.8T		
17	+	610434-50031	1	BOLT 8*8	M8*8		
18	+	900242-05010	1	SCREW 5*10	5*10		
19	+	91118-06025	1	BOLT			
20	+	900855-06900	1	BEARING, BALL 6900	6900		
21	+	900858-06900	1	BEARING, BALL 6900Z	6900Z		
22	+	900702-00022	1	CIRCLIP 22	CR-22		
23	+	900706-00010	1	CIRCLIP 10	WR-10		
24		X405-000011	1	SAW, BUSH CUTTER	3*230*25.4*T2.0		
25		P021-007470	1	SCABBARD, BLADE			

7. SHIELD



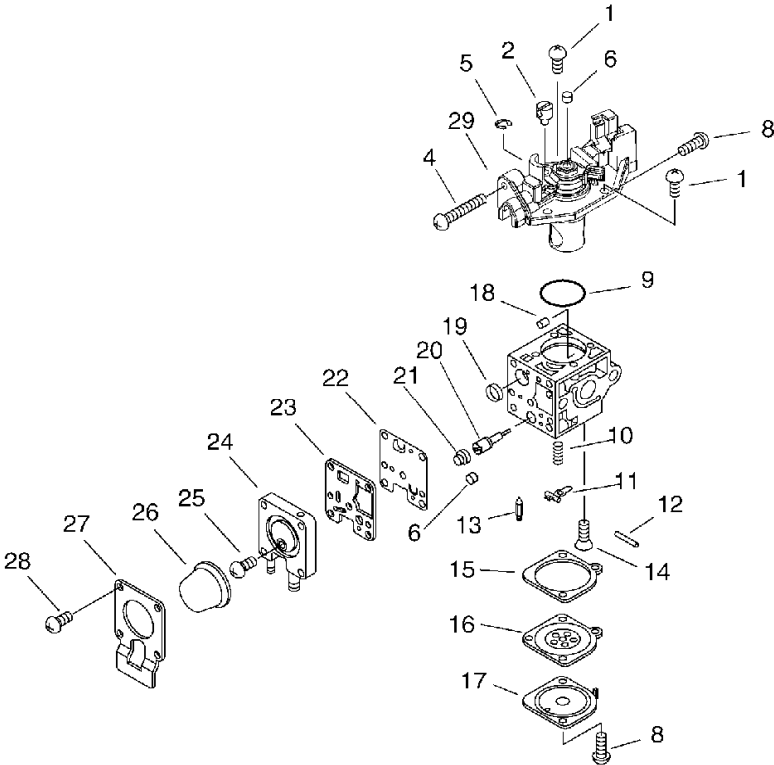
KEY	LV	PART NUMBER	Q'TY	DESCRIPTION	REMARKS	NOTE1	NOTE2
1		C550-000100	1	SHIELD,BLADE			
2	+	900565-00005	1	NUT	5		
3		91118-05018	1	BOLT	CM-5*18		
4		C550-000090	1	SHIELD,BLADE			
5		699013-56830	1	PLATE, SHIELD			
6		91118-05025	4	BOLT	CM-5*25		
7		P021-013770	1	SHIELD KIT		Sr/Nr 37003581 and after	
8	+	C550-000080	1	SHIELD,BLADE			
9	+	C554-000030	1	KNIFE, CORD	17INCH	Sr/Nr 37003581 and after	
10	+	900252-05012	1	SCREW 5*12	5*12		
11		895610-00130	1	L-WRENCH (4MM)			
12		X602-000020	1	TOOL,WRENCH	17*19 L200		
13		897518-01131	1	LOCKING TOOL			
14		P021-002861	1	GOGGLES			
15		898510-39130	1	BAG, TOOL			

8. CARBURETOR



KEY	LV	PART NUMBER	Q'TY	DESCRIPTION	REMARKS	NOTE1	NOTE2
		A021-001740	1	CARBURETOR,DIAPHRAGM	RB-K94	Sr/Nr 37008991 and after	
1	+	125344-13931	3	SCREW			
2	+	P005-001240	1	POST			
4	+	P005-000100	1	SCREW, THROTTLE ADJUST			
5	+	P005-000190	1	E-RING			
6	+	P005-001270	2	PLUG, H AJUST SCREW			
8	+	125344-52130	3	SCREW			
9	+	P005-000280	1	O-RING			
10	+	125322-07260	1	SPRING, COIL			
11	+	125323-08260	1	ARM, VALVE			
12	+	125338-13930	1	PIN, METERING ARM			
13	+	125337-08260	1	VALVE, INLET NEEDLE			
14	+	125339-42030	1	SCREW			
15	+	P005-000200	1	GASKET, METERING			
16	+	P005-001780	1	DIAPHRAGM			
17	+	125342-52130	1	COVER, DIAPHRAGM			
18	+	P005-001000	1	ROLLER, GUIDE			
19	+	P005-000010	1	STRAINER			
20	+	P005-001290	1	SCREW, MAIN MIXTURE			
21	+	P005-001250	1	RETAINER, PLUG BALL			
22	+	P005-000510	1	DIAPHRAGM, PUMP			
23	+	P005-000520	1	GASKET, PUMP			
24	+	P005-001890	1	BASE, ASY PRIMER			
25	+	P005-000270	1	SCREW			
26	+	125381-08660	1	PUMP, PRIMING			

8. CARBURETOR



KEY	LV	PART NUMBER	Q'TY	DESCRIPTION	REMARKS	NOTE1	NOTE2
27	+	P005-000250	1	RETAINER			
28	+	P005-001900	4	SCREW			
29	+	P005-002070	1	COVER ASY, ROTOR		Sr/Nr 37008991 and after	

9. REPAIR KIT

KEY	LV	PART NUMBER	Q'TY	DESCRIPTION	REMARKS	NOTE1	NOTE2
		P005-001660	1	DIAPHRAGM/GASKET KIT			
9-15	+	P005-000200	1	GASKET, METERING			
9-16	+	P005-001780	1	DIAPHRAGM			
9-22	+	P005-000510	1	DIAPHRAGM, PUMP			
9-23	+	P005-000520	1	GASKET, PUMP			
		P005-001990	1	REBUILD KIT			
9-10	+	125322-07260	1	SPRING, COIL			
9-11	+	125323-08260	1	ARM, VALVE			
9-12	+	125338-13930	1	PIN, METERING ARM			
9-13	+	125337-08260	1	VALVE, INLET NEEDLE			
9-15	+	P005-000200	1	GASKET, METERING			
9-16	+	P005-001780	1	DIAPHRAGM			
9-18	+	P005-001000	1	ROLLER, GUIDE			
9-19	+	P005-000010	1	STRAINER			
9-22	+	P005-000510	1	DIAPHRAGM, PUMP			
9-23	+	P005-000520	1	GASKET, PUMP			

Index

Patrs Number	Key No.	Patrs Number	Key No.	Patrs Number	Key No.
100012-16131	1 - 19	610314-52130	6 - 4	91118-05025	7 - 6
100013-35430	1 - 17	610320-52130	6 - 2	91118-05028	1 - 38
100014-53630	1 - 18	610352-56830	6 - 7	91118-05030	5 - 23
100015-03931	1 - 16	610434-50031	6 - 17	91118-06025	6 - 19
100142-12330	1 - 42	610444-56830	6 - 10	91119-05030	5 - 46
100212-42031	1 - 22	610473-52131	6 - 15	91121-05012	5 - 39
100215-03930	1 - 23	699013-56830	7 - 5	91121-05016	1 - 8
100242-42030	1 - 25	699229-56830	6 - 3	91121-05016	3 - 14
125322-07260	8 - 10	890152-04930	5 - 43	91140-05012	1 - 6
125322-07260	9 - 9-10	890332-52730	3 - 11	91367-04010	3 - 16
125323-08260	8 - 11	890617-43130	5 - 31	92280-05000	3 - 21
125323-08260	9 - 9-11	895610-00130	7 - 11	94035-36201	1 - 24
125337-08260	8 - 13	897518-01131	7 - 13	A011-000434	1 - 20
125337-08260	9 - 9-13	898510-39130	7 - 15	A021-001740	3 - 27
125338-13930	8 - 12	900106-05008	1 - 9	A021-001740	8 -
125338-13930	9 - 9-12	900162-05025	1 - 12	A051-000940	2 - 22
125339-42030	8 - 14	900162-05025	3 - 3	A052-000180	2 - 18
125342-52130	8 - 17	900162-05028	1 - 26	A101-000170	1 - 15
125344-13931	8 - 1	900242-05010	6 - 18	A127-000160	1 - 41
125344-52130	8 - 8	900242-05065	3 - 8	A130-000761	1 - 11
125381-08660	8 - 26	900252-05012	7 - 10	A160-000691	1 - 10
129011-52730	3 - 7	900256-04016	5 - 45	A160-000780	1 - 4
130310-54130	3 - 9	900256-05016	1 - 1	A162-000080	1 - 7
131016-55830	4 - 2	900500-00005	3 - 20	A162-000100	1 - 2
131205-19830	4 - 10	900500-00005	5 - 47	A175-000030	2 - 35
132001-15030	4 - 12	900502-00006	5 - 56	A200-000200	3 - 2
132010-40830	4 - 13	900515-00008	2 - 11	A232-000330	3 - 10
132013-09820	4 - 9	900518-00006	5 - 57	A313-000830	3 - 17
132013-26630	4 - 6	900565-00005	2 - 32	A320-000340	3 - 13
132115-55930	4 - 8	900565-00005	7 - 2	A350-000440	4 - 4
145862-40630	3 - 19	900565-50008	5 - 24	A356-000030	4 - 5
156110-04920	2 - 2	900603-00004	2 - 39	A365-000060	4 - 3
156635-43130	1 - 27	900603-00005	2 - 36	A409-000310	2 - 12
159112-09961	5 - 13	900603-50008	6 - 16	A411-000250	2 - 6
159116-21231	1 - 28	900701-00012	1 - 34	A425-000000	2 - 10
162010-04561	2 - 1	900702-00022	6 - 22	A426-000010	2 - 9
175046-56030	2 - 13	900702-00028	1 - 32	A427-000012	2 - 8
175048-05530	2 - 16	900702-00032	6 - 9	A553-000010	2 - 15
175049-56030	2 - 14	900702-00042	1 - 39	A556-000040	1 - 31
177220-42030	2 - 28	900706-00010	6 - 23	A575-000110	1 - 37
177227-42030	2 - 31	900720-00012	6 - 5	C050-000320	5 - 32
177228-27030	2 - 30	900807-06001	1 - 33	C062-000182	5 - 42
177236-61830	2 - 23	900810-00626	6 - 14	C400-000211	5 - 33
177246-11120	2 - 29	900812-06201	6 - 11	C403-000031	5 - 30
224924-52130	5 - 41	900855-06900	6 - 20	C423-000030	5 - 22
301015-05330	5 - 38	900858-06900	6 - 21	C450-000270	5 - 50
301200-21330	5 - 37	91118-05016	1 - 29	C460-000110	5 - 48
605014-54230	5 - 21	91118-05018	7 - 3	C463-000020	5 - 52
610310-56830	6 - 12	91118-05025	2 - 37	C504-000050	5 - 34

Index

Patrs Number	Key No.	Patrs Number	Key No.	Patrs Number	Key No.
C535-000001	6 - 6	P021-014360	5 - 53		
C535-000011	6 - 8	P022-002100	2 - 19		
C550-000080	7 - 8	P022-006510	2 - 20		
C550-000090	7 - 4	P022-006830	2 - 26		
C550-000100	7 - 1	P022-006850	2 - 21		
C554-000030	7 - 9	P022-008260	2 - 27		
P005-000010	8 - 19	P022-008270	2 - 25		
P005-000010	9 - 9-19	P022-008280	2 - 24		
P005-000100	8 - 4	V000-000040	6 - 13		
P005-000190	8 - 5	V100-000210	1 - 13		
P005-000200	8 - 15	V103-000210	3 - 1		
P005-000200	9 - 9-15	V103-000270	3 - 4		
P005-000200	9 - 9-15	V104-000780	3 - 23		
P005-000250	8 - 27	V104-000790	3 - 18		
P005-000270	8 - 25	V135-000030	2 - 3		
P005-000280	8 - 9	V150-001760	3 - 22		
P005-000510	8 - 22	V202-000090	1 - 35		
P005-000510	9 - 9-22	V202-000090	2 - 33		
P005-000510	9 - 9-22	V202-000130	2 - 4		
P005-000520	8 - 23	V203-000120	3 - 24		
P005-000520	9 - 9-23	V299-000110	5 - 20		
P005-000520	9 - 9-23	V299-000250	3 - 12		
P005-001000	8 - 18	V322-000030	2 - 38		
P005-001000	9 - 9-18	V322-000031	2 - 38		
P005-001240	8 - 2	V430-002310	5 - 55		
P005-001250	8 - 21	V451-000400	2 - 17		
P005-001270	8 - 6	V452-000350	5 - 49		
P005-001290	8 - 20	V452-000360	5 - 51		
P005-001660	9 -	V470-000580	4 - 11		
P005-001780	8 - 16	V471-001180	4 - 7		
P005-001780	9 - 9-16	V475-003380	2 - 5		
P005-001780	9 - 9-16	V491-000180	1 - 36		
P005-001890	8 - 24	V505-000050	1 - 40		
P005-001900	8 - 28	X405-000011	6 - 24		
P005-001990	9 -	X502-000330	2 - 34		
P005-002070	8 - 29	X505-002310	1 - 3		
P021-002861	7 - 14	X530-000210	1 - 43		
P021-004480	3 - 6	X547-000700	1 - 5		
P021-007470	6 - 25	X602-000020	7 - 12		
P021-009771	1 - 14				
P021-010801	1 - 21				
P021-011580	3 - 15				
P021-012210	4 - 1				
P021-012600	6 - 1				
P021-012820	5 - 19				
P021-013530	1 - 30				
P021-013580	5 - 36				
P021-013770	7 - 7				
P021-014090	5 - 44				

YAMABIKO CORPORATION

7-2 SUEHIROCHO 1-CHOME, OHME, TOKYO 198-8760, JAPAN
PHONE: 81-428-32-6118. FAX: 81-428-32-6145.

ECHO®



08Jb
No. 64-062