



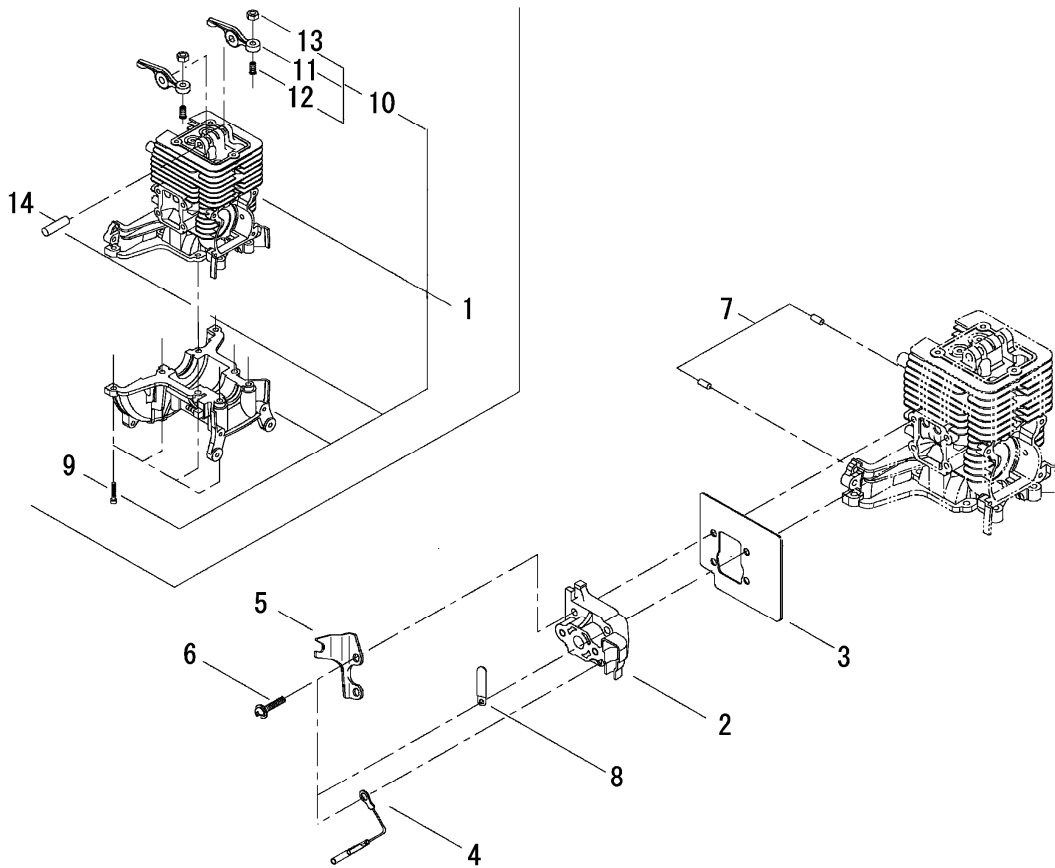
# **PARTS CATALOG**

## **GRASS-TRIMMER / BRUSHCUTTER (HYBRID 4)**

**SRMF-340(37)**

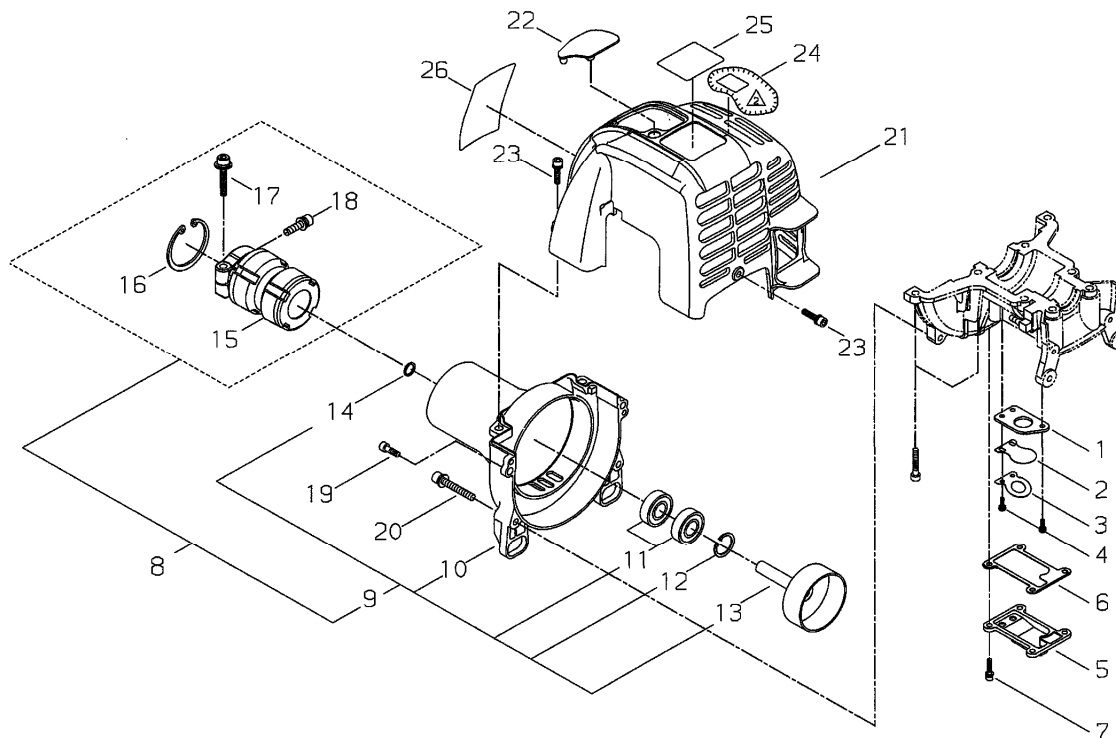
**37000001 -**

## 10E22b. Cylinder



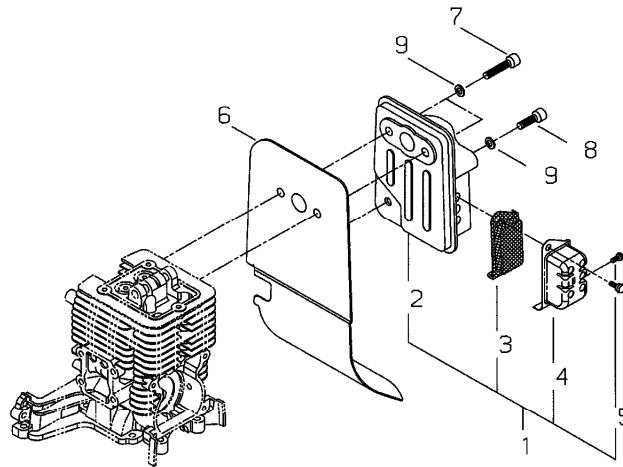
KEY	LV	PART NUMBER	Q'TY	DESCRIPTION	REMARKS	NOTE1	NOTE2
1		68512-98330	1	CYLINDAR BLOCK COMP			
9	+	01020-05160	8	BOLT			
10	+	62907-44010	2	ROCKER ARM ASSY			
11	++	62901-44210	2	ROCKER ARM			
12	++	62907-44220	2	ADJUST SCREW			
13	++	62901-44231	2	NUT			
14	+	12492-50370	1	ROLLER			
2		68512-12310	1	REED VALVE			
3		62907-12220	1	GASKET			
4		14350-01101	1	LEAD WIRE			
5		68512-83310	1	BRACKET			
6		11206-05255	4	SCREW,PM-SPW			
7		12492-40080	2	ROLLER			
8		159116-21231	1	CLAMP			

## 10E22b. Cylinder Cover, Fan Cover



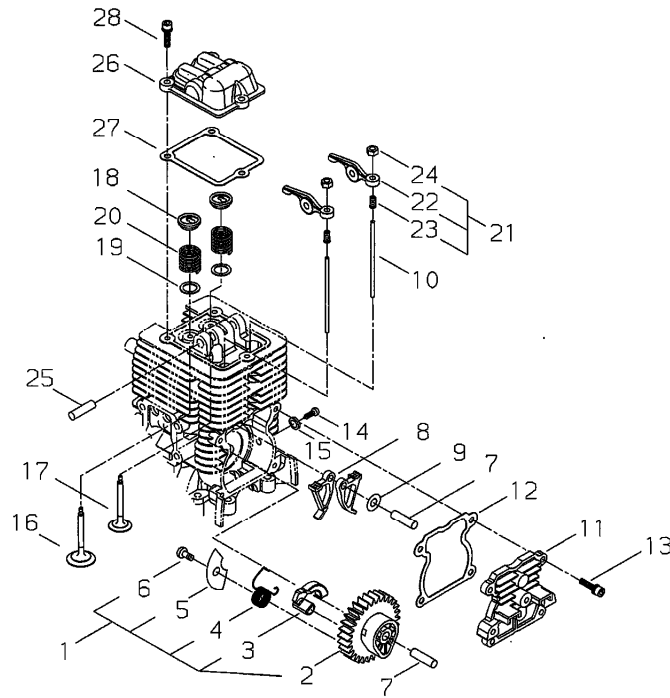
KEY	LV	PART NUMBER	Q'TY	DESCRIPTION	REMARKS	NOTE1	NOTE2
1		62901-21320	1	INSULATOR			
2		72320-83121	1	VALVE			
3		72320-83132	1	STOPPER			
4		01211-03100	3	SCREW-SW			
5		62901-21120	1	COVER			
6		62901-21130	1	GASKET			
7		11022-04140	4	BOLT-SPW			
8		68512-98320	1	FAN COVER ASSY			
9	+	68512-31010	1	FAN COVER COMP			
10	++	68512-31110	1	FAN COVER			
11	++	02036-06001	2	BALL BEARING			
12	++	02432-28120	1	SNAP RING			
13	++	62907-31211	1	CLUTCH DRUM			
14	++	20000-31140	1	SNAP RING			
15	+	V420-000980	1	CUSHION			
16	+	02432-45170	1	SNAP RING			
17	+	11022-05282	1	BOLT-SPW			
18	+	11022-05122	1	BOLT-SPW			
19		01020-05162	2	BOLT			
20		11022-05402	2	BOLT-SPW			
21		68512-32110	1	CYLINDER COVER			
22		68512-32310	1	GROMMET			
23		11022-04142	3	BOLT-SPW			
24		68512-91360	1	LABEL, CAUTION			
25		68512-91330	1	LABEL, TRADE			
26		68512-91320	1	LABEL, TRADE			

## 10E22b. Muffler



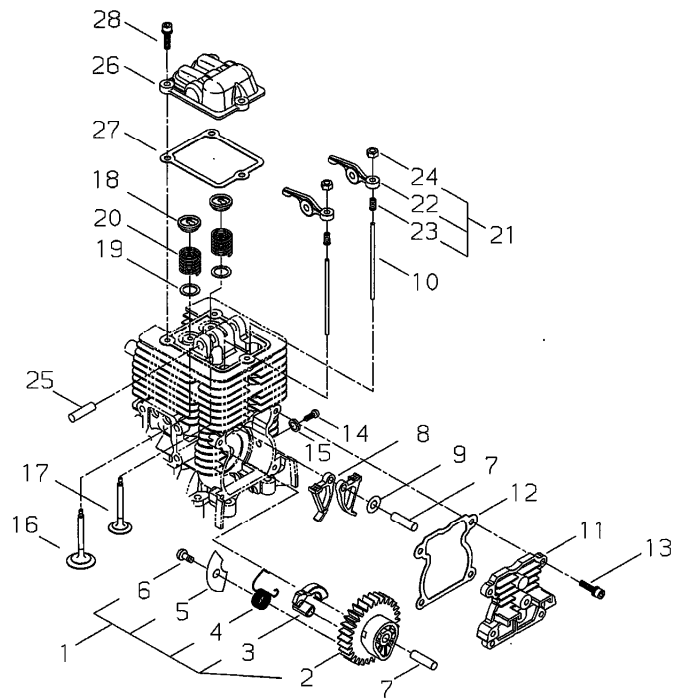
KEY	LV	PART NUMBER	Q'TY	DESCRIPTION	REMARKS	NOTE1	NOTE2
1		62907-15011	1	MUFFLER ASSY			
2	+	62907-15111	1	MUFFLER			
3	+	62902-15131	1	SCREEN			
4	+	62907-15161	1	TAIL PLATE			
5	+	11204-04060	2	SCREW,PM-SW			
6		62901-15210	1	GASKET			
7		62901-15310	2	BOLT			
8		01020-05160	1	BOLT			
9		01610-05080	3	WASHER			

## 10E22b. Valve



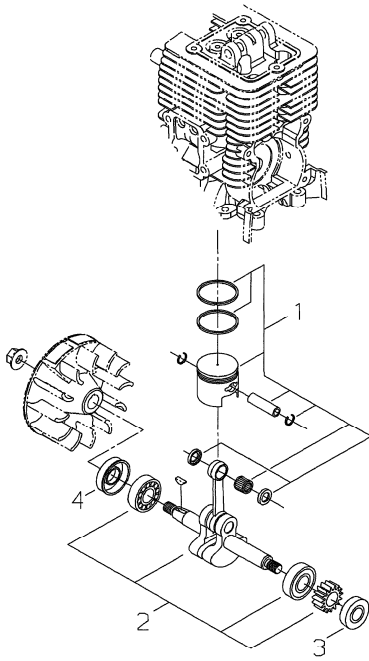
KEY	LV	PART NUMBER	Q'TY	DESCRIPTION	REMARKS	NOTE1	NOTE2
1		62905-43011	1	CAM GEAR ASSY			
2	+	62902-43310	1	CAM GEAR			
3	+	62907-43120	1	WEIGHT			
4	+	17520-08900	1	COIL SPRING			
5	+	62905-43131	1	PLATE			
6	+	01280-04062	1	SCREW, TAPPING			
7		12492-50290	2	ROLLER			
8		62907-43210	2	LIFTER			
9		11620-10000	1	WASHER			
10		62907-43220	2	PUSH ROD			
11		62907-43230	1	CAM GEAR COVER			
12		62907-43240	1	GASKET			
13		11022-04140	4	BOLT-SPW			
14		62901-43310	1	SCREW			
15		15401-10028	1	COLLAR			
16		62907-44111	1	INTAKE VALVE			
17		62907-44121	1	EXHAUST VALVE			
18		62908-44140	2	RETAINER			
19		62908-44310	2	PLATE			
20		62901-44130	2	VALVE SPRING			
21		62907-44010	2	ROCKER ARM ASSY			
22		62901-44210	2	ROCKER ARM			
23		62907-44220	2	ADJUST SCREW			
24		62901-44231	2	NUT			
25		12492-50370	1	ROLLER			
26		62907-44240	1	ROCKER ARM COVER			

## 10E22b. Valve



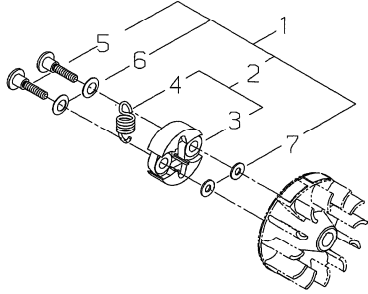
KEY	LV	PART NUMBER	Q'TY	DESCRIPTION	REMARKS	NOTE1	NOTE2
27		62907-44250	1	GASKET			
28		11022-04140	3	BOLT-SPW			

## 10E22b. Piston, Crankshaft



KEY	LV	PART NUMBER	Q'TY	DESCRIPTION	REMARKS	NOTE1	NOTE2
1		62907-41310	1	PISTON SET			
2		62907-42021	1	CRANKSHAFT COMP			
3		62901-42260	1	OIL SEAL			
4		62907-42270	1	OIL SEAL			

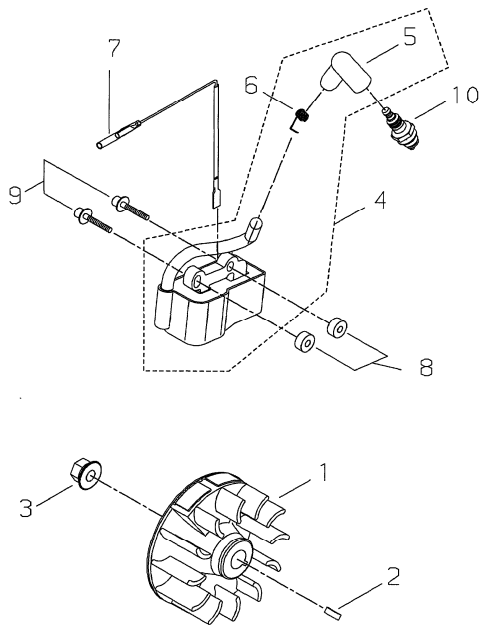
## 10E22b. Clutch



KEY	LV	PART NUMBER	Q'TY	DESCRIPTION	REMARKS	NOTE1	NOTE2
1		68512-51010	1	CLUTCH SHOE SET			
2	+	68512-51020	1	CLUTCH SHOE ASSY			
3	++	68512-51110	2	CLUTCH SHOE			
4	++	72575-98060	1	SPRING			
5	+	72575-98071	2	BOLT			
6	+	20087-51231	2	SPRING PLATE			
7	+	22100-71430	2	WASHER			

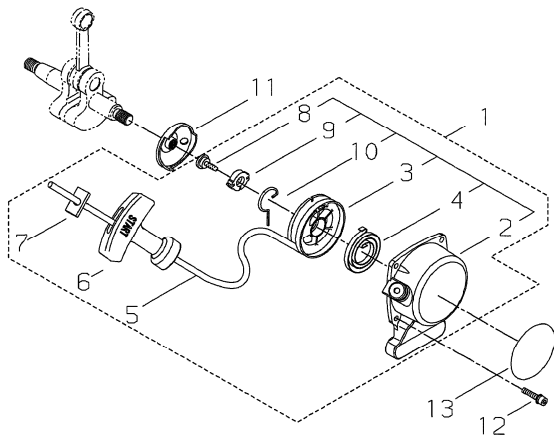


## 10E22b. Magneto



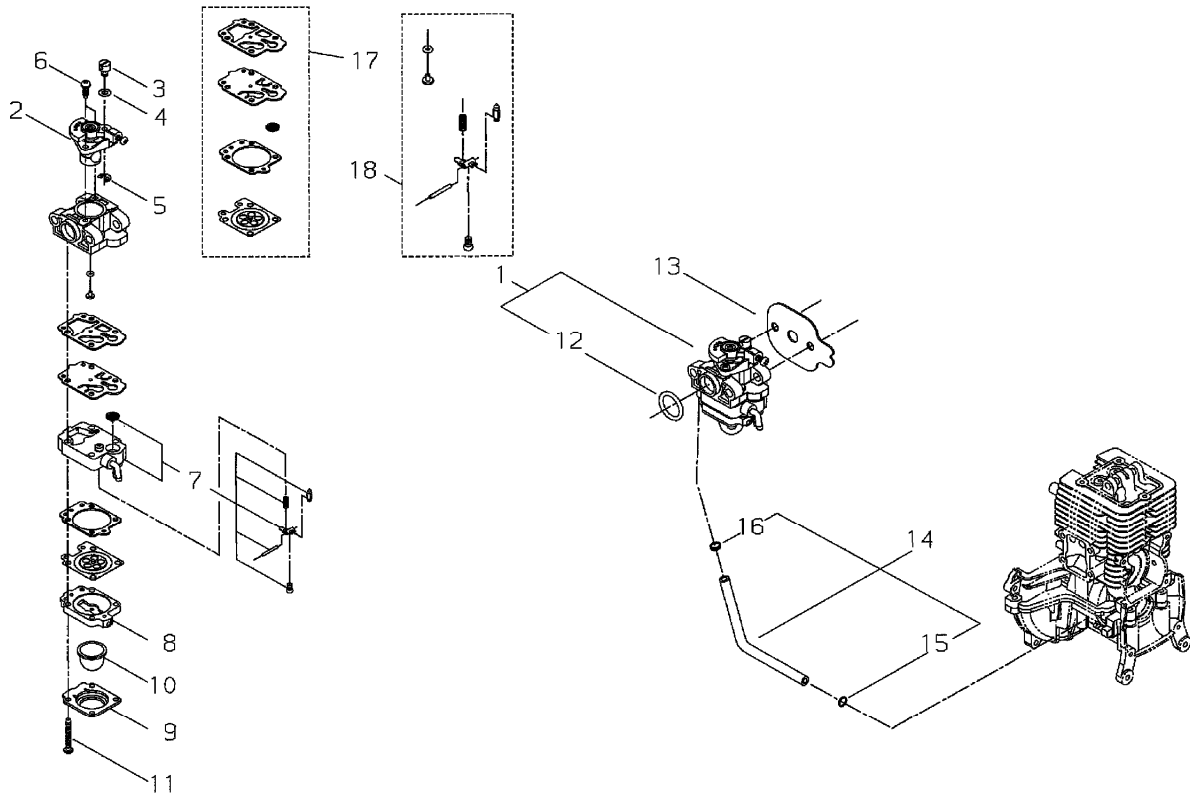
KEY	LV	PART NUMBER	Q'TY	DESCRIPTION	REMARKS	NOTE1	NOTE2
1		62907-71110	1	ROTOR			
2		02403-03100	1	KEY			
3		20035-71220	1	NUT			
4		62907-71311	1	COIL ASSY			
5	+	62905-71250	1	PLUG CAP			
6	+	62905-71320	1	COIL SPRING			
7		14350-02200	1	LEAD WIRE			
8		70030-71620	2	INSULATOR			
9		11024-04265	2	BOLT-SLPW			
10		CMR5-H	1	SPARK PLUG			

## 10E22b. Recoil Starter



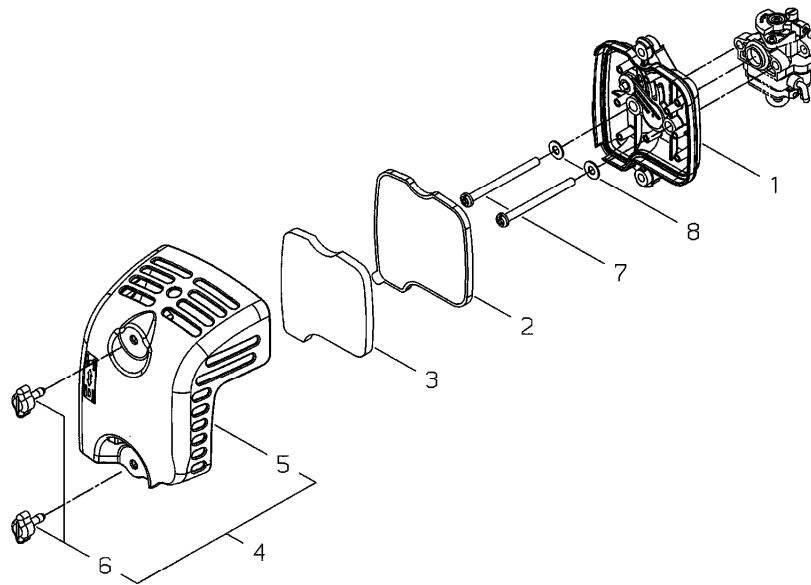
KEY	LV	PART NUMBER	Q'TY	DESCRIPTION	REMARKS	NOTE1	NOTE2
1		68512-75010	1	RECOIL STARTER ASSY			
2	+	62918-75110	1	STARTER CASE			
3	+	62907-75120	1	REEL			
4	+	70030-75130	1	RECOIL SPRING			
5	+	68512-75140	1	ROPE			
6	+	20010-75190	1	STARTER KNOB			
7	+	20010-75210	1	STOPPER			
8	+	37013-75310	1	SCREW			
9	+	37013-75320	1	COLLAR			
10	+	37013-75330	1	SWING ARM			
11		37013-75210	1	STARTER PULLEY			
12		11022-04142	4	BOLT-SPW			
13		68512-91340	1	LABEL,TRADE			

## 10E22b. Carburettor



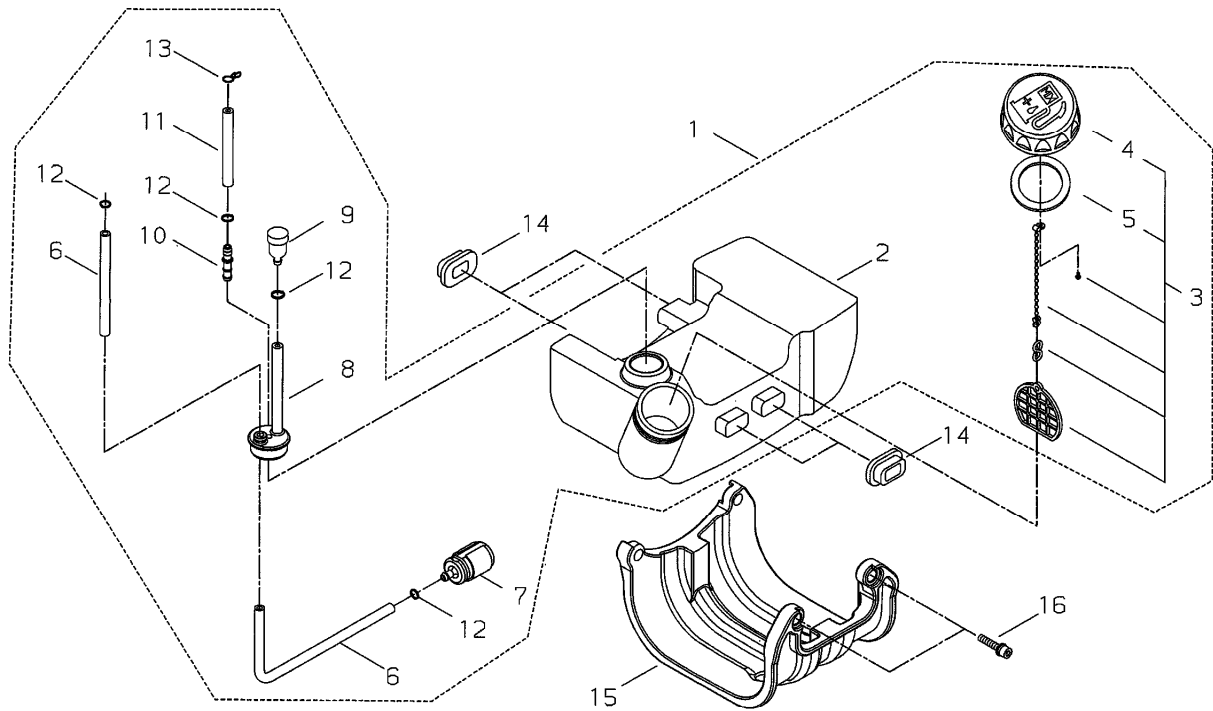
KEY	LV	PART NUMBER	Q'TY	DESCRIPTION	REMARKS	NOTE1	NOTE2
1		68512-81010	1	CARBURETOR ASSY			
2	+	62907-81321	1	VALVE			
3	+	72933-81450	1	SWIVEL			
4	+	20089-81185	1	WASHER			
5	+	20036-81195	1	E RING			
6	+	70064-81290	2	SCREW			
7	+	37013-81350	1	PUMP BODY ASSY			
8	+	20016-81420	1	PUMP BASE COMP			
9	+	20016-81510	1	PUMP COVER			
10	+	20036-81670	1	PRIMER PUMP			
11	+	20016-81140	4	SCREW			
12	+	20016-81250	1	O RING			
17	+	68242-98330	1	GASKET SET			
18	+	60907-98341	1	VALVE SET			
13		68512-81210	1	GASKET			
14		68512-81310	1	PULSE PIPE ASSY			
15	+	20020-85540	1	CLIP			
16	+	22150-82140	1	CLIP,PULSE			

## 10E22b. Air Filter



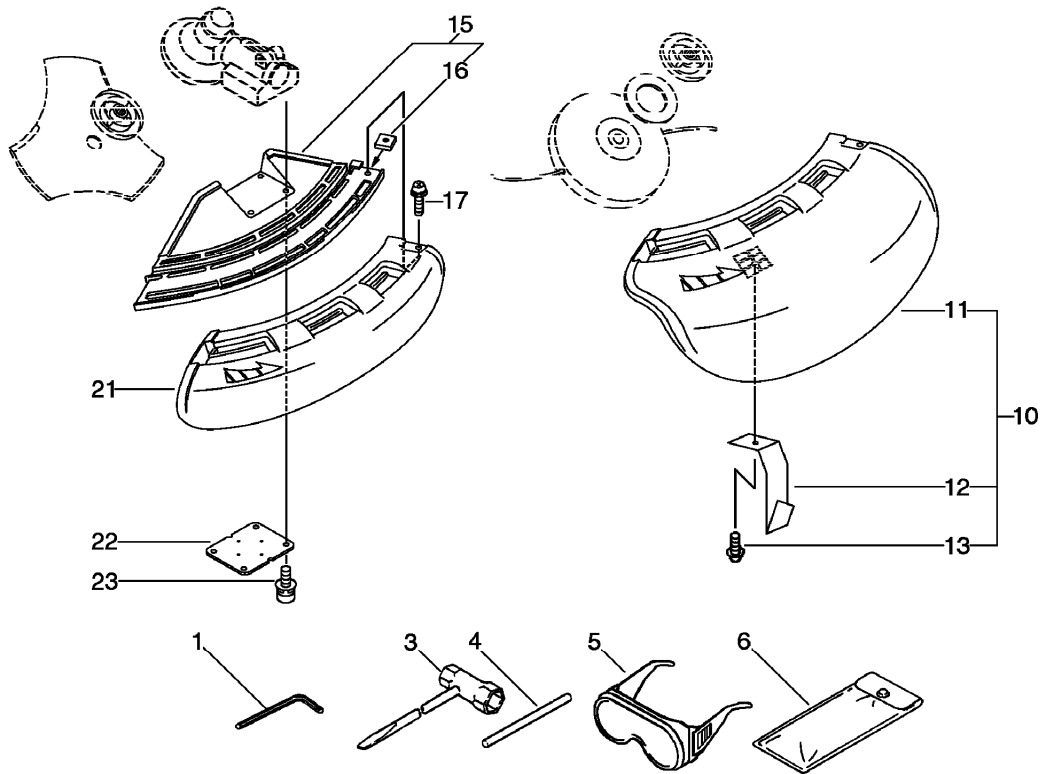
KEY	LV	PART NUMBER	Q'TY	DESCRIPTION	REMARKS	NOTE1	NOTE2
1		68512-82010	1	CLEANER BODY ASSY			
2		62908-82120	1	FILTER			
3		62908-82310	1	PREFILTER			
4		68512-82030	1	CLEANER COVER ASSY			
5	+	68512-82130	1	CLEANER COVER			
6	+	62901-82330	2	KNOB			
7		11203-05605	2	SCREW,PM			
8		01613-05080	2	WASHER			

## 10E22b. Fuel Tank



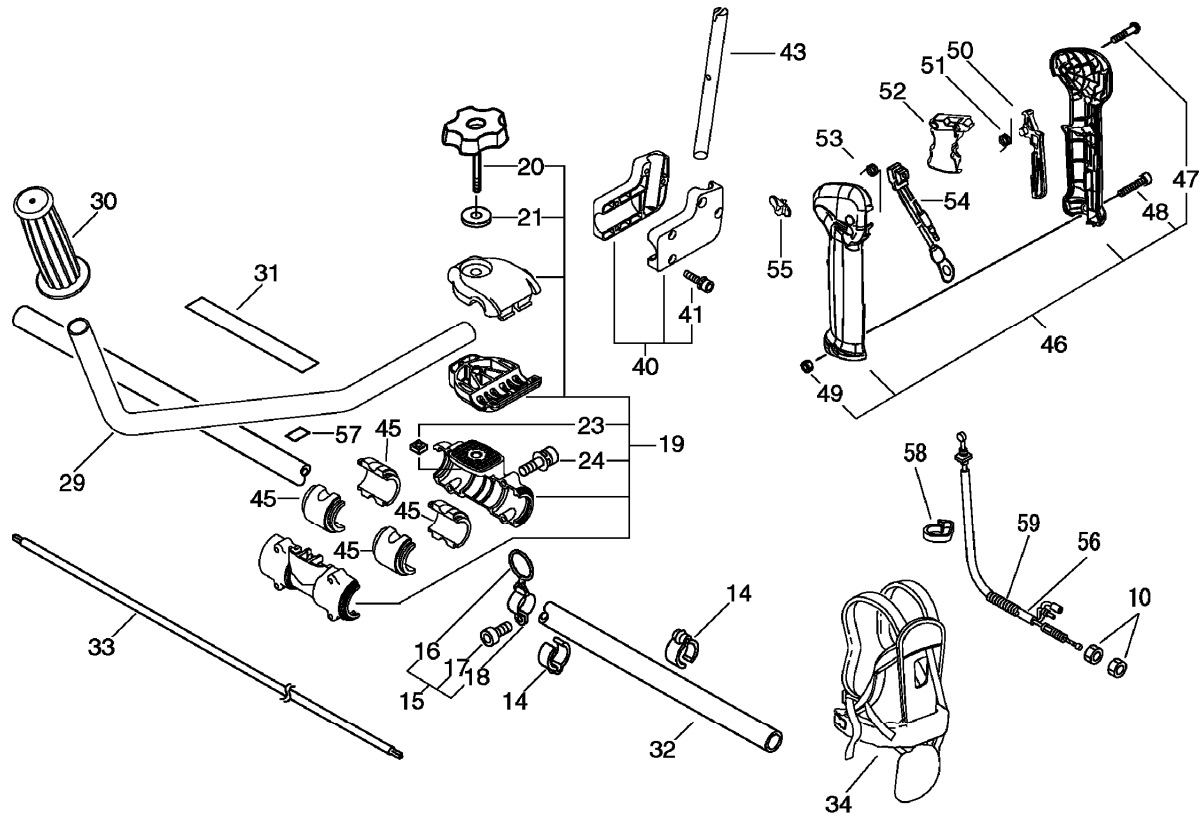
KEY	LV	PART NUMBER	Q'TY	DESCRIPTION	REMARKS	NOTE1	NOTE2
1		68512-85010	1	FUEL TANK ASSY			
2	+	62907-85110	1	FUEL TANK			
3	+	68512-85020	1	FUEL CAP ASSY			
4	++	68512-85120	1	FUEL CAP			
5	++	20000-85221	1	GASKET			
6	+	70170-85310	1	FUEL PIPE			
7	+	20016-85400	1	FUEL FILTER			
8	+	20112-85351	1	GROMMET			
9	+	22197-33960	1	VALVE			
10	+	72933-85620	1	JOINT			
11	+	32003-85330	1	PIPE			
12		20020-85540	1	CLIP			
13	+	37013-85310	1	CLIP			
14		62901-85220	4	TANK CUSHION			
15		62902-85320	1	TANK GUARD			
16		11022-05202	2	BOLT-SPW			

## 10E22b. Shield, Tools



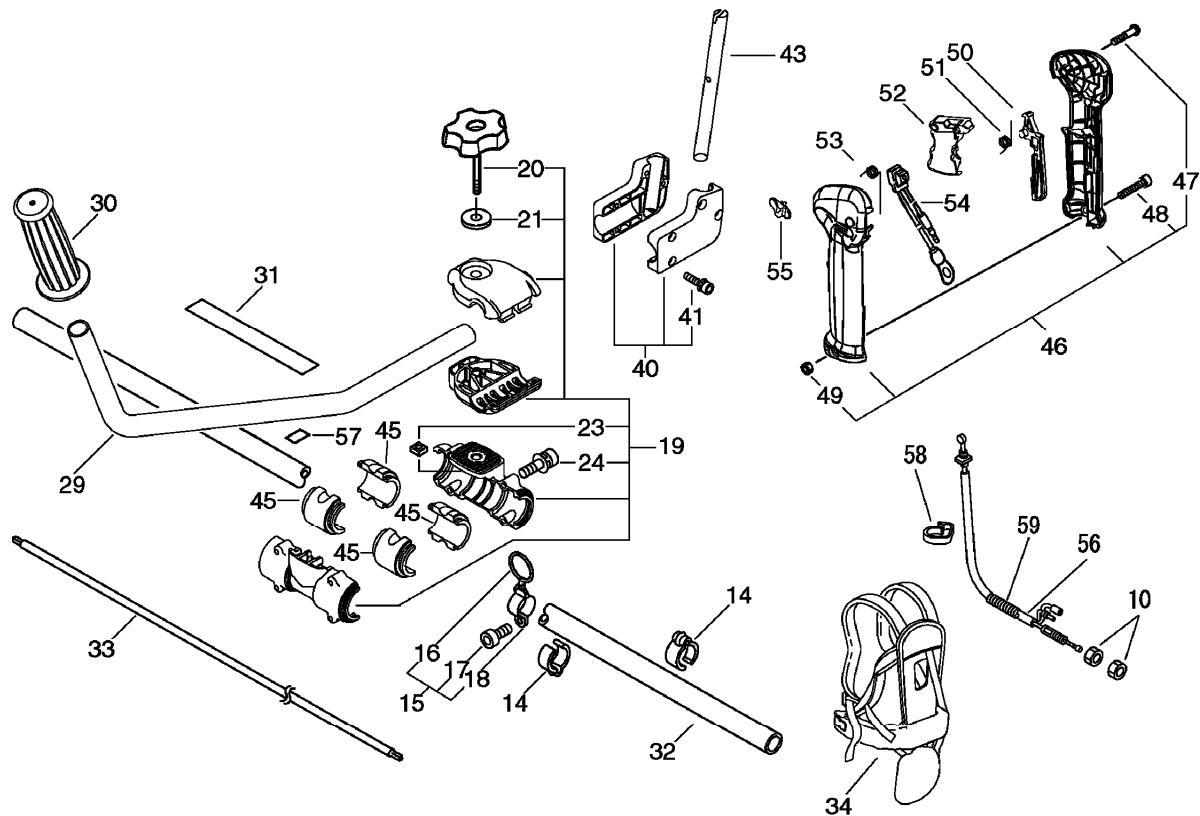
KEY	LV	PART NUMBER	Q'TY	DESCRIPTION	REMARKS	NOTE1	NOTE2
1		895610-00130	1	L-WRENCH (4MM)			
3		895415-66630	1	WRENCH, SPCKET			
4		897518-01131	1	LOCKING TOOL			
5		X690-000030	1	GOGGLE			
6		898510-07130	1	BAG, TOOL			
10		P021-013770	1	SHIELD KIT			
11	+	C550-000080	1	SHIELD, BLADE			
12	+	C554-000030	1	KNIFE, CORD			
13	+	900252-05012	1	SCREW 5*12			
15		C550-000100	1	SHIELD, BLADE			
16	+	900565-00005	1	NUT			
17	+	91118-05018	1	BOLT			
21		C550-000090	1	SHIELD, BLADE			
22		699013-56830	1	PLATE, SHIELD			
23		91118-05025	4	BOLT			

## 10E22b. Handle (U)



KEY	LV	PART NUMBER	Q'TY	DESCRIPTION	REMARKS	NOTE1	NOTE2
10		900502-00006	2	NUT 6 (3N)			
14		224924-52930	2	CLIP	28MM		
15		P021-012660	1	HOOK ASY			
16	+	301015-05330	1	HOOK, BAND			
17	+	91119-05012	1	BOLT			
18	+	301210-04630	1	HOOK			
19		P021-012750	1	BRACKET ASY, HANDLE			
20	+	V299-000110	1	KNOB, FASTENER			
21	+	605014-54230	1	WASHER			
23	+	900565-50008	1	NUT			
24	+	91118-05030	1	BOLT			
29		C400-000211	1	HANDLE, FRONT			
30		C403-000031	1	GRIP, HANDLE			
31		890617-43130	1	LABEL, CAUTION			
32		C050-001350	1	PIPE, MAIN			
33		610011-25530	1	SHAFT, DRIVE			
34		C062-000192	1	HARNESS, SHOULDER			
40		P021-012730	1	BRACKET ASY, HANDLE			
41		91118-05025	4	BOLT			
43		351210-47530	1	HANDLE, REAR			
45		V420-001120	4	CUSHION			
46		P021-014090	1	GRIP ASY, F-HANDLE			
47	+	900256-04016	3	SCREW 4*16			
48	+	91119-05030	1	BOLT			
49	+	900500-00005	1	NUT 5			
50		C460-000111	1	LOCKOUT, THROTTLE	70MM		

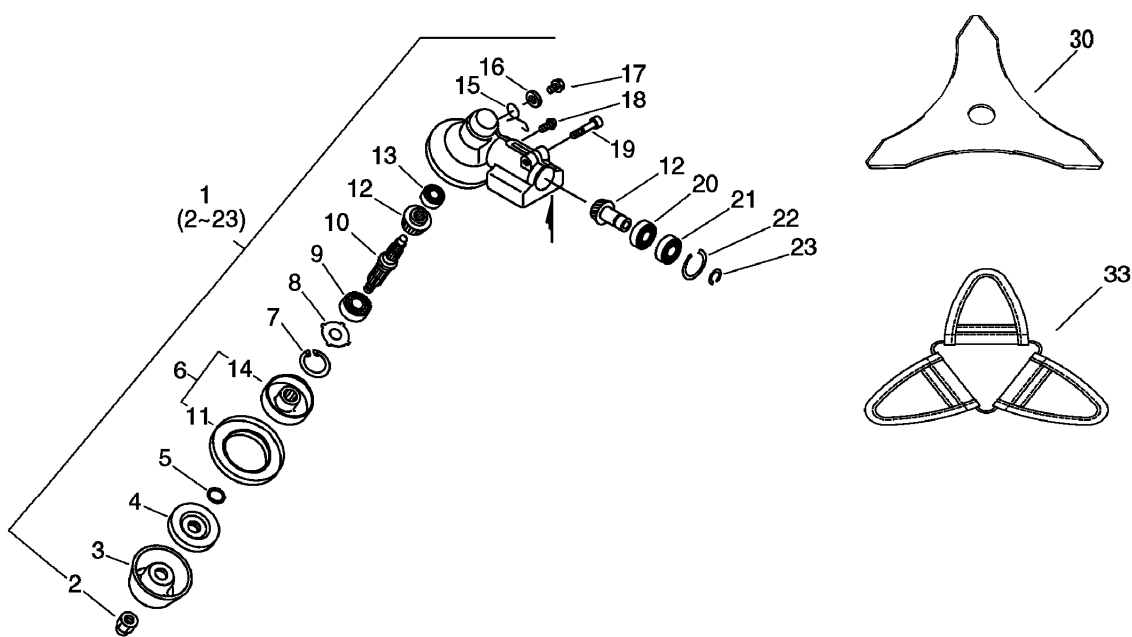
## 10E22b. Handle (U)



KEY	LV	PART NUMBER	Q'TY	DESCRIPTION	REMARKS	NOTE1	NOTE2
51		V452-000360	1	SPRING, TORSION			
52		C450-000270	1	CONTROL, THROTTLE			
53		V452-000350	1	SPRING, TORSION			
54		A440-001160	1	SWITCH, ON OFF			
55		C463-000020	1	KNOB, LATCH			
56		V430-002140	1	CABLE, BOWDEN			
57		890152-04930	1	LABEL, CAUTION			
58		159112-09961	1	CLIP			
59		V475-004180	1	TUBE			

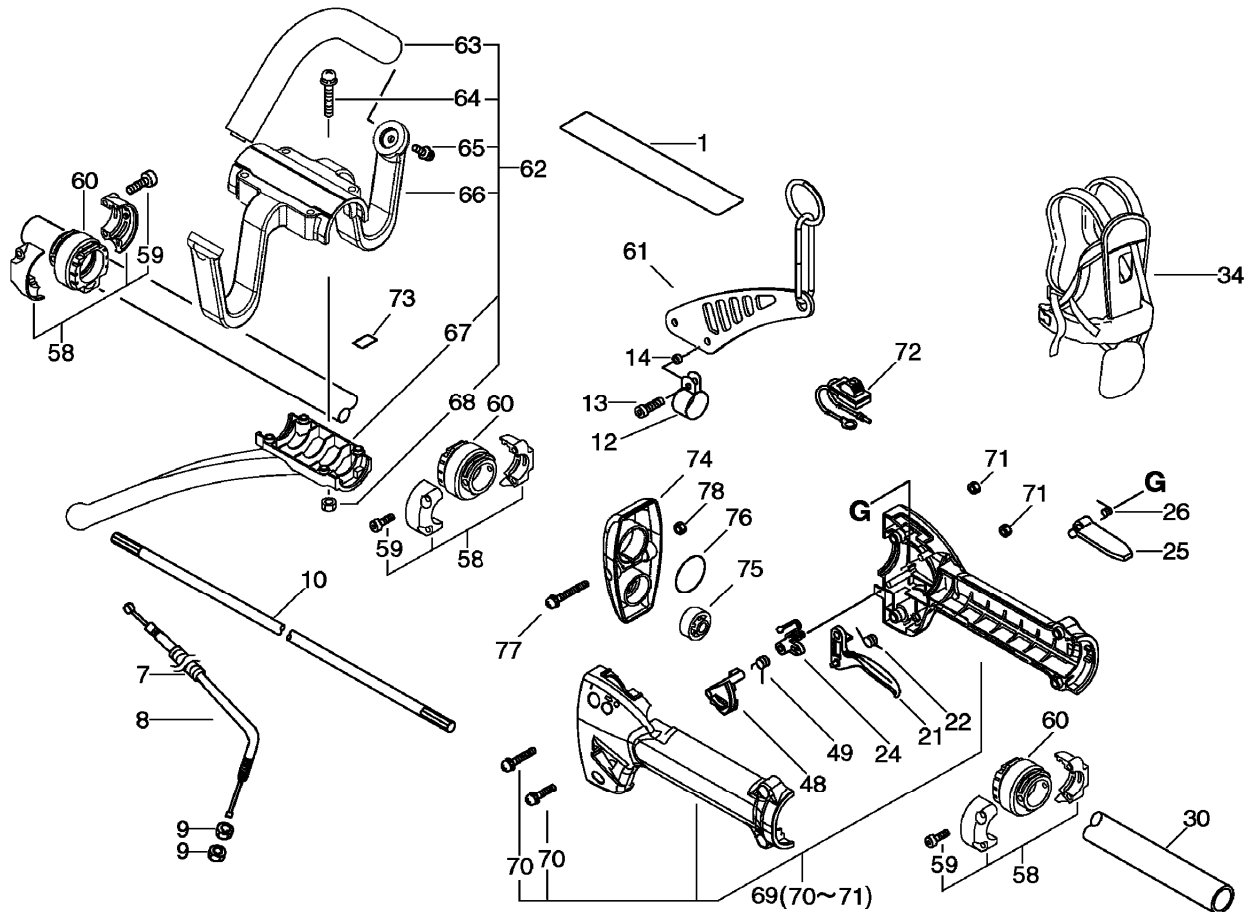


## 10E22b. Gear Case (U)



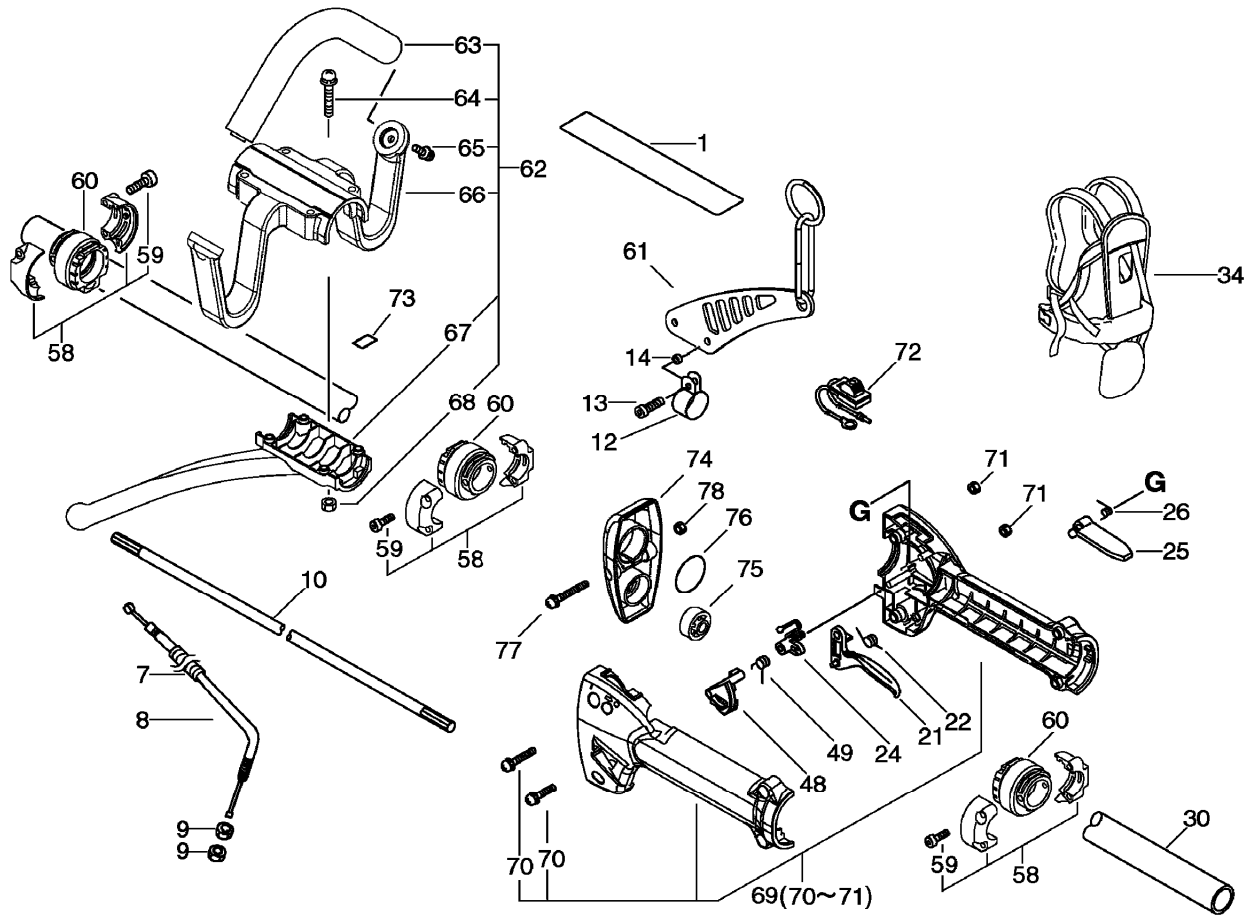
KEY	LV	PART NUMBER	Q'TY	DESCRIPTION	REMARKS	NOTE1	NOTE2
1		P021-016151	1	CASE,GEAR			
2	+	610320-52130	1	NUT 10			
3	+	699229-56830	1	PLATE, COVER			
4	+	610314-52130	1	PLATE, ADAPTER (L)			
5	+	900720-00012	1	O-RING 12			
6	+	610313-52932	1	FIXTURE, BLADE			
11	++	610352-56830	1	PLATE, CUP			
14	++	610313-52132	1	FIXTURE, BLADE			
7	+	900702-00032	1	CIRCLIP 32			
8	+	610444-56830	1	WASHER			
9	+	900812-06201	1	BEARING, BALL 6201			
10	+	610310-56931	1	SHAFT, P.T.O.			
12	+	V000-000060	1	GEAR SET, BEVEL			
13	+	900810-00629	1	BEARING, BALL 629			
15	+	610473-52131	1	SPRING			
16	+	900603-50008	1	WASHER			
17	+	610434-50031	1	BOLT 8* 8			
18	+	900242-05010	1	SCREW 5*10			
19	+	91118-06030	1	BOLT			
20	+	900800-06001	1	BEARING, BALL 6001			
21	+	900803-06001	1	BEARING, BALL 6001			
22	+	900702-00028	1	CIRCLIP 28			
23	+	900701-00012	1	CIRCLIP 12			
30		P021-014320	1	SAW, BUSH CUTTER			
33		X495-000250	1	SCABBARD, BLADE	9"/10" 3 CUTTER		

## 10E22b. Handle (L)



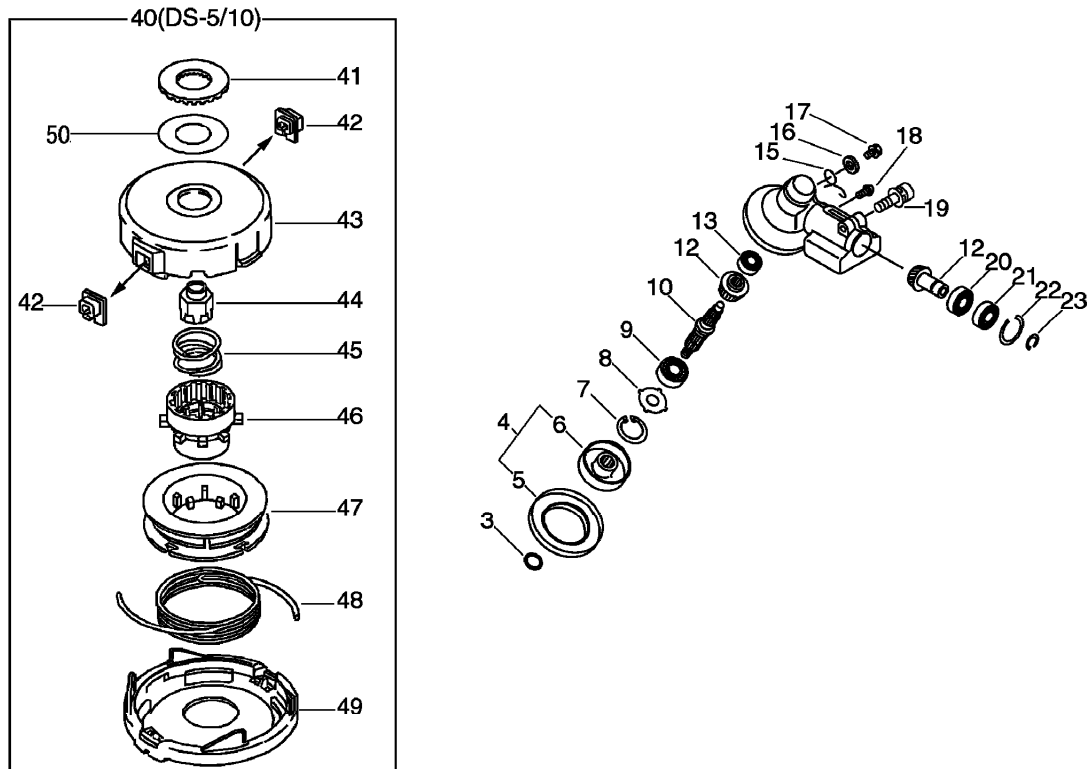
KEY	LV	PART NUMBER	Q'TY	DESCRIPTION	REMARKS	NOTE1	NOTE2
1		890617-43130	1	LABEL,CAUTION			
7		V475-000850	1	TUBE			
8		V430-002130	1	CABLE,BOWDEN			
9		900502-00006	2	NUT 6 (3N)			
10		610011-25530	1	SHAFT, DRIVE			
12		301207-07530	2	HOOK			
13		91119-05018	2	BOLT			
14		V353-000090	2	COLLAR,5			
21		C450-000110	1	TRIGGER,THROTTLE			
22		V452-000200	1	SPRING,TORSION			
24		C461-000000	1	LATCH,THROTTLE			
25		178090-52632	1	LOCKOUT, T. CONTROL			
26		178013-52630	1	SPRING, THR. LOCK			
30		C050-001350	1	PIPE,MAIN			
34		301001-46731	1	HARNESS, SHOULDER	L1910,L1550		
48		C461-000010	1	LATCH,THROTTLE			
49		V452-000120	1	SPRING,TORSION			
58		P021-012640	3	BRACKET ASM., HANDLE			
59	+	91118-05025	6	BOLT			
60		V420-001061	3	CUSHION			
61		C624-000040	1	HANGER, HARNESS			
62		P021-009202	1	HANDLE ASY, LOOP			
63	+	351205-07131	1	HANDLE			
64	+	91118-05035	4	BOLT			
65	+	900242-05014	2	SCREW 5*14			
66	+	C405-000270	1	BRACKET,HANDLE			

## 10E22b. Handle (L)



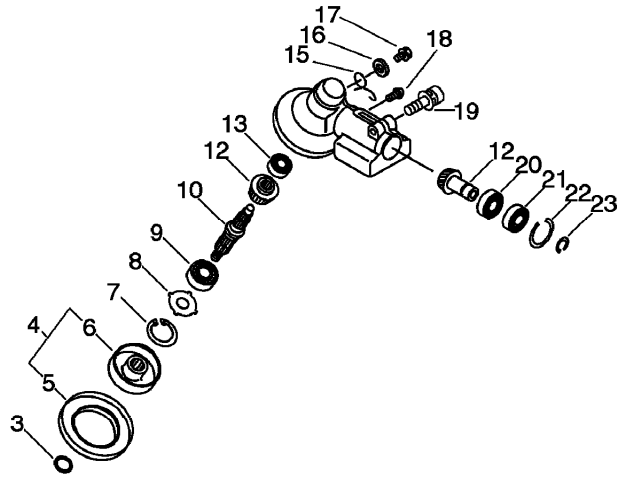
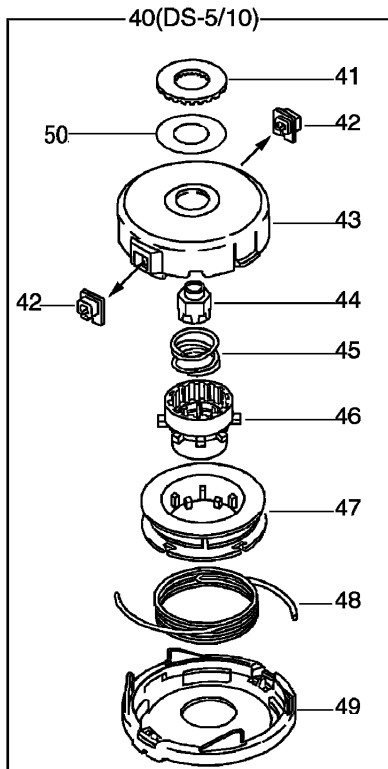
KEY	LV	PART NUMBER	Q'TY	DESCRIPTION	REMARKS	NOTE1	NOTE2
67	+	C405-000160	1	BRACKET,HANDLE			
68	+	900500-00005	4	NUT 5			
69		P021-014170	1	BRACKET SET,THROTTLE			
70	+	91118-05022	4	BOLT			
71	+	900500-00005	4	NUT 5			
72		A440-001150	1	SWITCH, ON OFF			
73		890152-04930	1	LABEL, CAUTION			
74		C423-000340	1	FIXTURE, HANDLE	28		
75		V420-001720	1	CUSHION			
76		900720-00032	1	O-RING 32			
77		91118-05040	1	BOLT			
78		900500-00005	1	NUT 5			

## 10E22b. Gear Case (L)



KEY	LV	PART NUMBER	Q'TY	DESCRIPTION	REMARKS	NOTE1	NOTE2
3		900720-00012	1	O-RING 12			
4		C535-000001	1	FIXTURE, BLADE			
5	+	610352-56830	1	PLATE, CUP			
6	+	610313-52132	1	FIXTURE, BLADE			
7		900702-00032	1	CIRCLIP 32			
8		610444-56830	1	WASHER			
9		900812-06201	1	BEARING, BALL 6201			
10		610310-56931	1	SHAFT, P.T.O.			
12		V000-000060	1	GEAR SET, BEVEL			
13		900810-00629	1	BEARING, BALL 629			
15		610473-52131	1	SPRING			
16		900603-50008	1	WASHER			
17		610434-50031	1	BOLT 8*8			
18		900242-05010	1	SCREW 5*10			
19		91118-06030	1	BOLT			
20		900800-06001	1	BEARING, BALL 6001			
21		900803-06001	1	BEARING, BALL 6001			
22		900702-00028	1	CIRCLIP 28			
23		900701-00012	1	CIRCLIP 12			
40		X047-000321	1	CUTTER, ASM LINE			
41	+	V332-000000	1	WASHER, CIRCULAR 24			
42	+	P022-000710	2	EYELET			
43	+	P022-005040	1	HOUSING			
44	+	P022-010390	1	NUT			
45	+	P022-001200	1	SPRING			
46	+	P022-019450	1	TAP KNOB			

## 10E22b. Gear Case (L)



KEY	LV	PART NUMBER	Q'TY	DESCRIPTION	REMARKS	NOTE1	NOTE2
47	+	P022-001180	1	BOBBIN			
48	+	P022-006200	1	NYLON CODE			
49	+	P022-005030	1	COVER			
50	+	P022-023160	1	SPACER			

**Index**

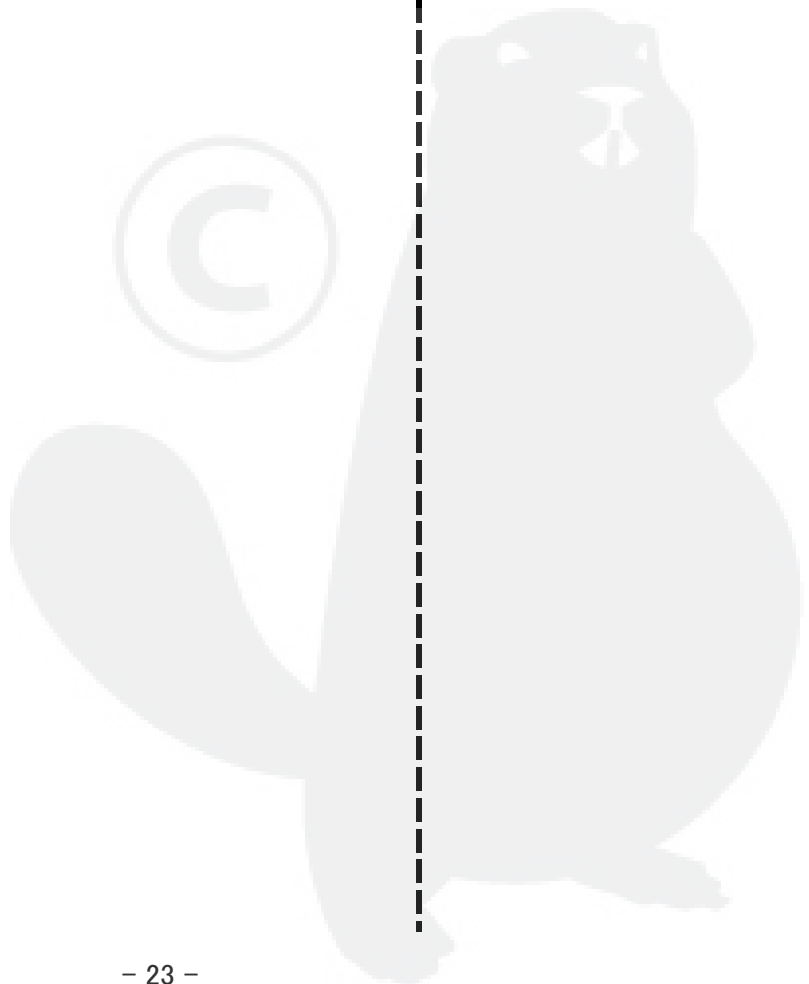
<b>Patrs Number</b>	<b>Key No.</b>	<b>Patrs Number</b>	<b>Key No.</b>	<b>Patrs Number</b>	<b>Key No.</b>
01020-05160	22b - 9	20036-81195	22b - 5	62901-44210	22b - 11
01020-05160	22b - 8	20036-81670	22b - 10	62901-44210	22b - 22
01020-05162	22b - 19	20087-51231	22b - 6	62901-44231	22b - 13
01211-03100	22b - 4	20089-81185	22b - 4	62901-44231	22b - 24
01280-04062	22b - 6	20112-85351	22b - 8	62901-82330	22b - 6
01610-05080	22b - 9	22100-71430	22b - 7	62901-85220	22b - 14
01613-05080	22b - 8	22150-82140	22b - 16	62902-15131	22b - 3
02036-06001	22b - 11	22197-33960	22b - 9	62902-43310	22b - 2
02403-03100	22b - 2	224924-52930	22b - 14	62902-85320	22b - 15
02432-28120	22b - 12	301001-46731	22b - 34	62905-43011	22b - 1
02432-45170	22b - 16	301015-05330	22b - 16	62905-43131	22b - 5
11022-04140	22b - 7	301207-07530	22b - 12	62905-71250	22b - 5
11022-04140	22b - 13	301210-04630	22b - 18	62905-71320	22b - 6
11022-04140	22b - 28	32003-85330	22b - 11	62907-12220	22b - 3
11022-04142	22b - 23	351205-07131	22b - 63	62907-15011	22b - 1
11022-04142	22b - 12	351210-47530	22b - 43	62907-15111	22b - 2
11022-05122	22b - 18	37013-75210	22b - 11	62907-15161	22b - 4
11022-05202	22b - 16	37013-75310	22b - 8	62907-31211	22b - 13
11022-05282	22b - 17	37013-75320	22b - 9	62907-41310	22b - 1
11022-05402	22b - 20	37013-75330	22b - 10	62907-42021	22b - 2
11024-04265	22b - 9	37013-81350	22b - 7	62907-42270	22b - 4
11203-05605	22b - 7	37013-85310	22b - 13	62907-43120	22b - 3
11204-04060	22b - 5	605014-54230	22b - 21	62907-43210	22b - 8
11206-05255	22b - 6	60907-98341	22b - 18	62907-43220	22b - 10
11620-10000	22b - 9	610011-25530	22b - 10	62907-43230	22b - 11
12492-40080	22b - 7	610011-25530	22b - 33	62907-43240	22b - 12
12492-50290	22b - 7	610310-56931	22b - 10	62907-44010	22b - 10
12492-50370	22b - 14	610310-56931	22b - 10	62907-44010	22b - 21
12492-50370	22b - 25	610313-52132	22b - 6	62907-44111	22b - 16
14350-01101	22b - 4	610313-52132	22b - 14	62907-44121	22b - 17
14350-02200	22b - 7	610313-52932	22b - 6	62907-44220	22b - 12
15401-10028	22b - 15	610314-52130	22b - 4	62907-44220	22b - 23
159112-09961	22b - 58	610320-52130	22b - 2	62907-44240	22b - 26
159116-21231	22b - 8	610352-56830	22b - 5	62907-44250	22b - 27
17520-08900	22b - 4	610352-56830	22b - 11	62907-71110	22b - 1
178013-52630	22b - 26	610434-50031	22b - 17	62907-71311	22b - 4
178090-52632	22b - 25	610434-50031	22b - 17	62907-75120	22b - 3
20000-31140	22b - 14	610444-56830	22b - 8	62907-81321	22b - 2
20000-85221	22b - 5	610444-56830	22b - 8	62907-85110	22b - 2
20010-75190	22b - 6	610473-52131	22b - 15	62908-44140	22b - 18
20010-75210	22b - 7	610473-52131	22b - 15	62908-44310	22b - 19
20016-81140	22b - 11	62901-15210	22b - 6	62908-82120	22b - 2
20016-81250	22b - 12	62901-15310	22b - 7	62908-82310	22b - 3
20016-81420	22b - 8	62901-21120	22b - 5	62918-75110	22b - 2
20016-81510	22b - 9	62901-21130	22b - 6	68242-98330	22b - 17
20016-85400	22b - 7	62901-21320	22b - 1	68512-12310	22b - 2
20020-85540	22b - 15	62901-42260	22b - 3	68512-31010	22b - 9
20020-85540	22b - 12	62901-43310	22b - 14	68512-31110	22b - 10
20035-71220	22b - 3	62901-44130	22b - 20	68512-32110	22b - 21

**Index**

<b>Patrs Number</b>	<b>Key No.</b>	<b>Patrs Number</b>	<b>Key No.</b>	<b>Patrs Number</b>	<b>Key No.</b>
68512-32310	22b - 22	900500-00005	22b - 78	C450-000270	22b - 52
68512-51010	22b - 1	900500-00005	22b - 49	C460-000111	22b - 50
68512-51020	22b - 2	900502-00006	22b - 9	C461-000000	22b - 24
68512-51110	22b - 3	900502-00006	22b - 10	C461-000010	22b - 48
68512-75010	22b - 1	900565-00005	22b - 16	C463-000020	22b - 55
68512-75140	22b - 5	900565-50008	22b - 23	C535-000001	22b - 4
68512-81010	22b - 1	900603-50008	22b - 16	C550-000080	22b - 11
68512-81210	22b - 13	900603-50008	22b - 16	C550-000090	22b - 21
68512-81310	22b - 14	900701-00012	22b - 23	C550-000100	22b - 15
68512-82010	22b - 1	900701-00012	22b - 23	C554-000030	22b - 12
68512-82030	22b - 4	900702-00028	22b - 22	C624-000040	22b - 61
68512-82130	22b - 5	900702-00028	22b - 22	CMR5-H	22b - 10
68512-83310	22b - 5	900702-00032	22b - 7	P021-009202	22b - 62
68512-85010	22b - 1	900702-00032	22b - 7	P021-012640	22b - 58
68512-85020	22b - 3	900720-00012	22b - 3	P021-012660	22b - 15
68512-85120	22b - 4	900720-00012	22b - 5	P021-012730	22b - 40
68512-91320	22b - 26	900720-00032	22b - 76	P021-012750	22b - 19
68512-91330	22b - 25	900800-06001	22b - 20	P021-013770	22b - 10
68512-91340	22b - 13	900800-06001	22b - 20	P021-014090	22b - 46
68512-91360	22b - 24	900803-06001	22b - 21	P021-014170	22b - 69
68512-98320	22b - 8	900803-06001	22b - 21	P021-014320	22b - 30
68512-98330	22b - 1	900810-00629	22b - 13	P021-016151	22b - 1
699013-56830	22b - 22	900810-00629	22b - 13	P022-000710	22b - 42
699229-56830	22b - 3	900812-06201	22b - 9	P022-001180	22b - 47
70030-71620	22b - 8	900812-06201	22b - 9	P022-001200	22b - 45
70030-75130	22b - 4	91118-05018	22b - 17	P022-005030	22b - 49
70064-81290	22b - 6	91118-05022	22b - 70	P022-005040	22b - 43
70170-85310	22b - 6	91118-05025	22b - 59	P022-006200	22b - 48
72320-83121	22b - 2	91118-05025	22b - 41	P022-010390	22b - 44
72320-83132	22b - 3	91118-05025	22b - 23	P022-019450	22b - 46
72575-98060	22b - 4	91118-05030	22b - 24	P022-023160	22b - 50
72575-98071	22b - 5	91118-05035	22b - 64	V000-000060	22b - 12
72933-81450	22b - 3	91118-05040	22b - 77	V000-000060	22b - 12
72933-85620	22b - 10	91118-06030	22b - 19	V299-000110	22b - 20
890152-04930	22b - 73	91118-06030	22b - 19	V332-000000	22b - 41
890152-04930	22b - 57	91119-05012	22b - 17	V353-000090	22b - 14
890617-43130	22b - 1	91119-05018	22b - 13	V420-000980	22b - 15
890617-43130	22b - 31	91119-05030	22b - 48	V420-001061	22b - 60
895415-66630	22b - 3	A440-001150	22b - 72	V420-001120	22b - 45
895610-00130	22b - 1	A440-001160	22b - 54	V420-001720	22b - 75
897518-01131	22b - 4	C050-001350	22b - 30	V430-002130	22b - 8
898510-07130	22b - 6	C050-001350	22b - 32	V430-002140	22b - 56
900242-05010	22b - 18	C062-000192	22b - 34	V452-000120	22b - 49
900242-05010	22b - 18	C400-000211	22b - 29	V452-000200	22b - 22
900242-05014	22b - 65	C403-000031	22b - 30	V452-000350	22b - 53
900252-05012	22b - 13	C405-000160	22b - 67	V452-000360	22b - 51
900256-04016	22b - 47	C405-000270	22b - 66	V475-000850	22b - 7
900500-00005	22b - 68	C423-000340	22b - 74	V475-004180	22b - 59
900500-00005	22b - 71	C450-000110	22b - 21	X047-000321	22b - 40

**Index**

<b>Patrs Number</b>	<b>Key No.</b>	<b>Patrs Number</b>	<b>Key No.</b>	<b>Patrs Number</b>	<b>Key No.</b>
X495-000250	22b - 33				
X690-000030	22b - 5				

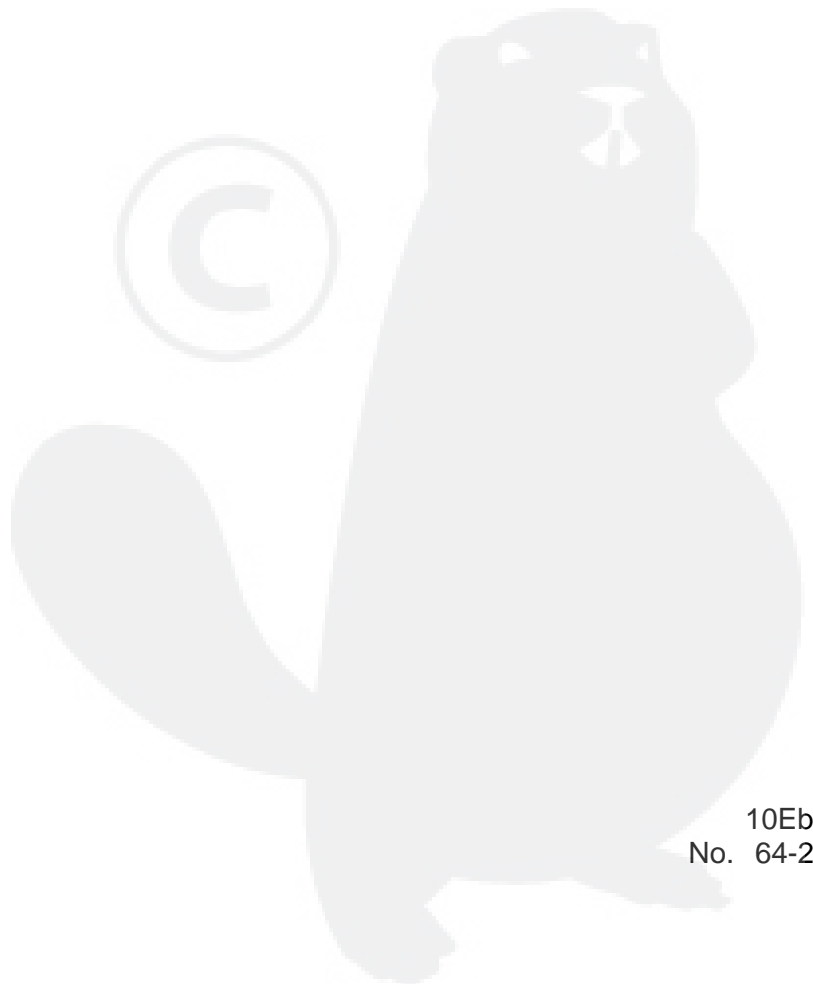
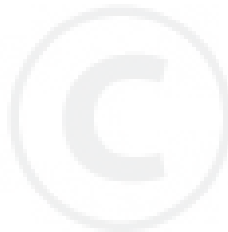




# YAMABIKO CORPORATION

7-2 SUEHIROCHO 1-CHOME, OHME, TOKYO 198-8760, JAPAN  
PHONE: 81-428-32-6118. FAX: 81-428-32-6145.

**ECHO**®



10Eb  
No. 64-236