



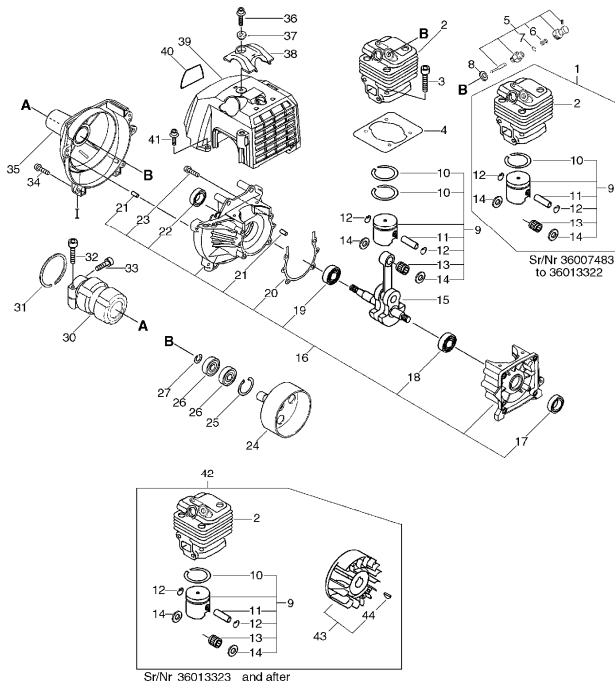
# **PARTS CATALOG**

## **GRASS-TRIMMER / BRUSHCUTTER**

**SRM-5000(35)(36)**

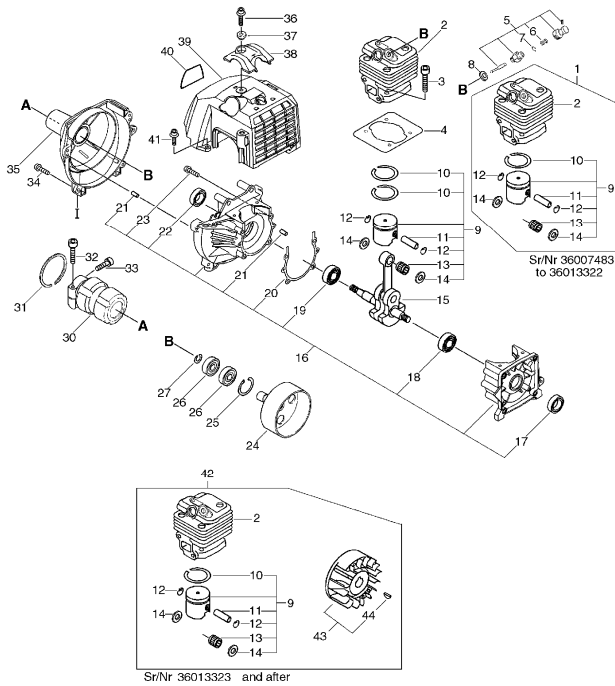
SRM-5000(35)(36)

# 1. Cylinder, Crankcase, Piston, Fan Cover



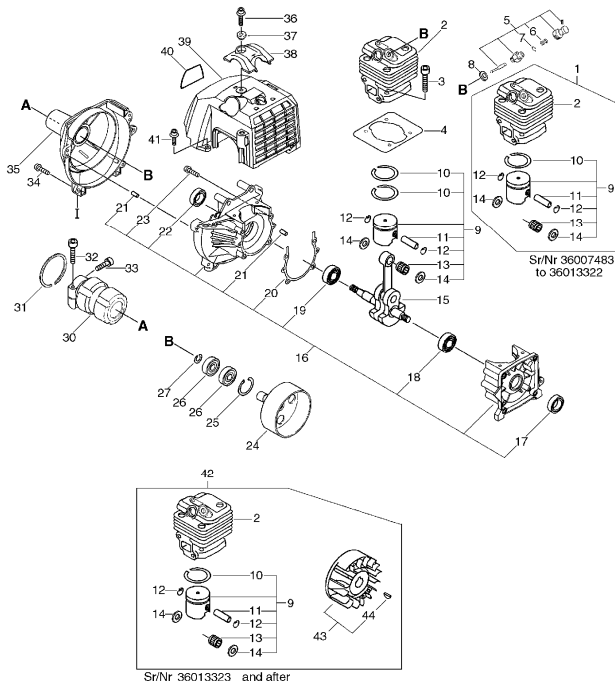
KEY	LV	PART NUMBER	Q'TY	DESCRIPTION	REMARKS	NOTE1	NOTE2
1		P021-009691	1	CYLINDER,PISTON KIT		Sus. by P021-009693	
1		P021-009692	1	CYLINDER,PISTON KIT		Sus. by P021-009693	
1		P021-009693	1	CYLINDER,PISTON KIT		Sr/Nr 36007483 to 36013322	
2	+	A130-000710	1	CYLINDER		Sus. by A130-000711	
2	+	A130-000711	1	CYLINDER		Sr/Nr 36007483 to 36013322	
9	+	P021-009681	1	PISTON KIT			
9	+	P021-009682	1	PISTON KIT			
10	++	A101-000070	1	RING,PISTON			
11	++	V608-000000	1	PIN,ENG 10			
12	++	V580-000010	2	RING,END	φ0.8		
13	++	100012-12331	1	BEARING, NEEDLE			
14	++	V307-000060	2	WASHER,CIRCULAR 10			
42		P0210-11170	1	PISTON,CYL,MAG KIT		Sr/Nr 36013323 and after	Sus. by P021-011171

# 1. Cylinder, Crankcase, Piston, Fan Cover



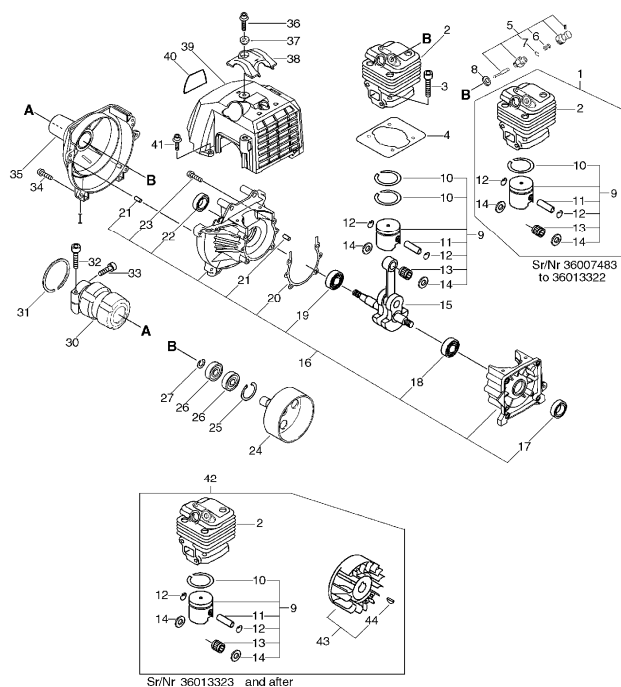
KEY	LV	PART NUMBER	Q'TY	DESCRIPTION	REMARKS	NOTE1	NOTE2
2	+	A130-000810	1	CYLINDER		Sr/Nr 36013323 and after Sus. by A130-000860	
9	+	P021-011150	1	PISTON KIT		Sr/Nr 36013323 and after	
10	++	A101-000070	1	RING,PISTON		Sr/Nr 36013323 and after	
11	++	V608-000000	1	PIN,ENG 10		Sr/Nr 36013323 and after	
12	++	V580-000010	2	RING,END	φ0.8	Sr/Nr 36013323 and after	
13	++	100012-12331	1	BEARING, NEEDLE		Sr/Nr 36013323 and after	
14	++	V307-000060	2	WASHER,CIRCULAR 10		Sr/Nr 36013323 and after	
43	+	P021-011160	1	ROTOR,MAGNETO KIT		Sr/Nr 36013323 and after	
44	++	900323-03014	1	KEY WOODRUFF	3*14	Sr/Nr 36013323 and after	
2		A130-000271	1	CYLINDER		Sr/Nr 35008210 and before	
2		A130-000480	1	CYLINDER		Sr/Nr 35008211 to 35999999	

# 1. Cylinder, Crankcase, Piston, Fan Cover



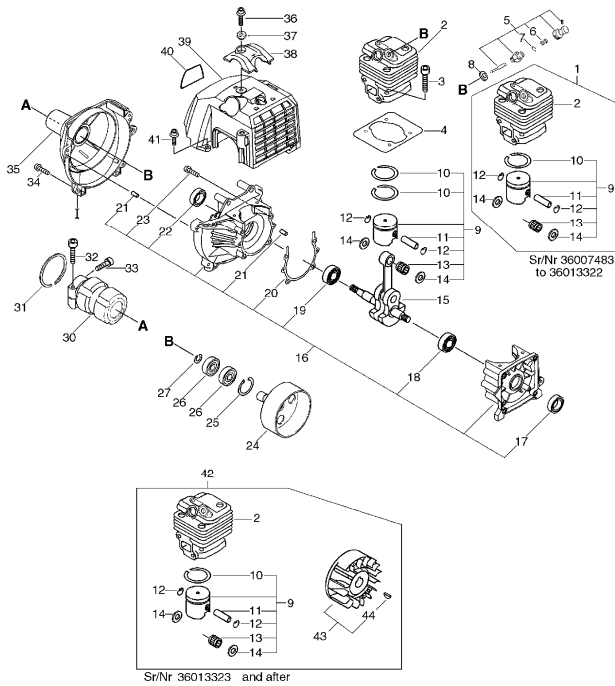
KEY	LV	PART NUMBER	Q'TY	DESCRIPTION	REMARKS	NOTE1	NOTE2
2		A130-000451	1	CYLINDER		Sr/Nr 36000001 to 36007482	
2		A130-000710	1	CYLINDER		Sus. by A130-000711	
2		A130-000711	1	CYLINDER		Sr/Nr 36007482 and before	
3		900162-05020	4	BOLT, H.S. 5*20	5*20 W,SW		
4		V100-000040	1	GASKET,CYL			
5		A014-000000	1	DECOMP,ASM			
6	+	101113-37530	1	SPRING			
7	+	P022-002110	1	CLIP			
8		159025-37530	1	GASKET			
9		P021-003561	1	PISTON KIT		Sr/Nr 35008210 and before	
9		P021-005000	1	PISTON KIT		Sus. by P021-005001	
9		P021-005001	1	PISTON KIT		Sr/Nr 35008211 to 36007482	
9		P021-009681	1	PISTON KIT		Sr/Nr 36007482 and before	
9		P021-009682	1	PISTON KIT		Sr/Nr 36007482 and before	
10	+	A101-000050	2	RING,PISTON		Sr/Nr 35008210 and before	

# 1. Cylinder, Crankcase, Piston, Fan Cover



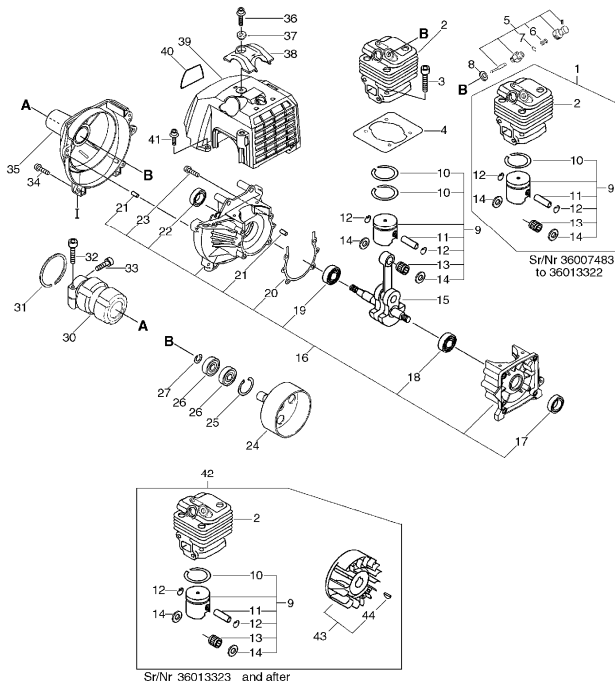
KEY	LV	PART NUMBER	Q'TY	DESCRIPTION	REMARKS	NOTE1	NOTE2
10	+	A101-000070	2	RING,PISTON		Sr/Nr 35008211 to 36007482	
10	+	A101-000070	1	RING,PISTON		Sr/Nr 36007482 and before	
11	+	V608-000000	1	PIN,ENG 10		Sr/Nr 36007482 and before	
12	+	100015-00120	2	CIRCLIP, PISTON PIN		Sr/Nr 36007482 and before	
12	+	V580-000010	2	RING,END	φ0.8	Sr/Nr 36007482 and before	
13	+	100012-12331	1	BEARING, NEEDLE		Sr/Nr 36007482 and before	
14	+	V307-000060	2	WASHER,CIRCULAR 10		Sr/Nr 36007482 and before	
15		A011-000120	1	CRANKSHAFT,ASM			
16		P021-002470	1	CRANKCASE SET		Sus. by P021-002471	
16		P021-002471	1	CRANKCASE SET			
17	+	100213-05530	1	OILSEAL	ISCD 12 22 7		
18	+	94035-36201	1	BEARING BALL	6201X3JR2C3		
19	+	900810-36202	1	BEARING, BALL 6202	6202/C3		
20	+	V102-000000	1	GASKET,CRANKCASE		Sus. by V102-000001	
20	+	V102-000001	1	GASKET,CRANKCASE			
21	+	100215-03930	4	PIN, DOWEL			

# 1. Cylinder, Crankcase, Piston, Fan Cover



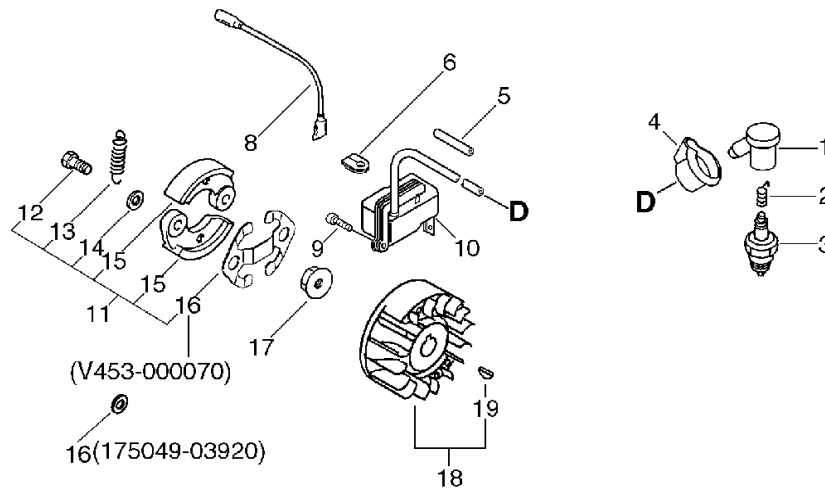
KEY	LV	PART NUMBER	Q'TY	DESCRIPTION	REMARKS	NOTE1	NOTE2
22	+	100213-00310	1	OILSEAL	ISCD 15 25 7		
23	+	900162-05035	4	BOLT, H.S. 5*35	5*35 W,SW		
24		A556-000160	1	DRUM,CLUTCH		Sus. by A556-000181	
24		A556-000161	1	DRUM,CLUTCH		Sus. by A556-000181	
24		A556-000180	1	DRUM,CLUTCH		Sus. by A556-000181	
24		A556-000181	1	DRUM,CLUTCH			
25		900702-00028	1	CIRCLIP 28	CR-28		
26		900807-06001	2	BEARING, BALL 6001	6001V(LB)		
27		900701-00012	1	CIRCLIP 12	CS-12		
30		V420-000420	1	CUSHION		Sus. by V420-000980	
30		V420-000980	1	CUSHION			
31		900702-00045	1	RING, RETAINING(IN)	CR-45		
32		900162-05028	1	BOLT, H.S. 5*28	5*28 W,SW	Sus. by 91118-05028	
33		900162-05012	1	BOLT, H.S. 5*12	5*12 W,SW	Sus. by 91118-05012	
34		900162-05020	4	BOLT, H.S. 5*20	5*20 W,SW	Sus. by 91118-05020	
35		A172-000150	1	COVER,FAN			
36		900106-05020	1	BOLT, H.S. 5*20	5*20	Sus. by 91121-05020	
37		V353-000020	1	COLLAR,5	12*5.5*4.5L		

# 1. Cylinder, Crankcase, Piston, Fan Cover



KEY	LV	PART NUMBER	Q'TY	DESCRIPTION	REMARKS	NOTE1	NOTE2
38		A162-000020	1	GUARD, TOP			
39		A160-000240	1	COVER, CYLINDER		Sus. by A160-000241	
39		A160-000241	1	COVER, CYLINDER			
40		X503-002860	1	LABEL, MODEL		Sus. by X547-001060	
41		900106-05012	1	BOLT, H.S. 5*12	5*12	Sus. by 91121-05012	

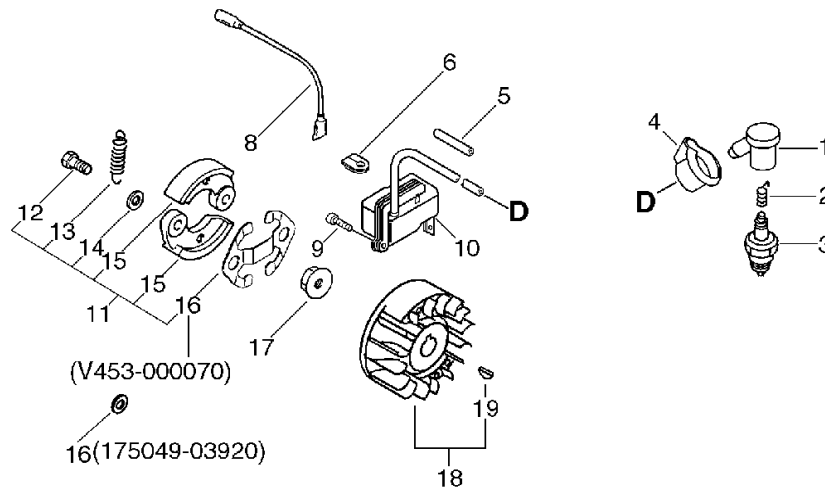
## 2. Magneto, Clutch



KEY	LV	PART NUMBER	Q'TY	DESCRIPTION	REMARKS	NOTE1	NOTE2
1		A427-000000	1	CAP, SPARK PLUG			
2		A426-000000	1	TERMINAL, SPARK PLUG			
3		159017-31730	1	PLUG, SPARK RCJ-6Y	RCJ-6Y		
4		V141-000020	1	GROMMET, PLUG			
5		V475-001610	1	TUBE	7*8.6*55 HST-10		
6		156114-04920	1	GROMMET			
8		162010-55630	1	LEAD, GROUND	170L		
9		900162-05020	2	BOLT, H.S. 5*20	5*20 W, SW		
10		A411-000050	1	COIL, IGNITION			
11		P021-002480	1	CLUTCH ASY		Sus. by P021-008190	
11		P021-002481	1	CLUTCH ASY		Sus. by P021-008190	
11		P021-008190	1	CLUTCH ASY			
12	+	A557-000000	2	SHAFT, CLUTCH			
13	+	V451-000230	1	SPRING, TENSION		Sus. by V451-000480	
13	+	V451-000480	1	SPRING, TENSION			
14	+	V346-000000	2	WASHER, WAVE		Sr/Nr 36001840 and before	
14	+	175048-03920	2	WASHER		Sr/Nr 36001841 and after	
15	+	A553-000030	2	ARM, CLUTCH		Sr/Nr 36001840 and before	

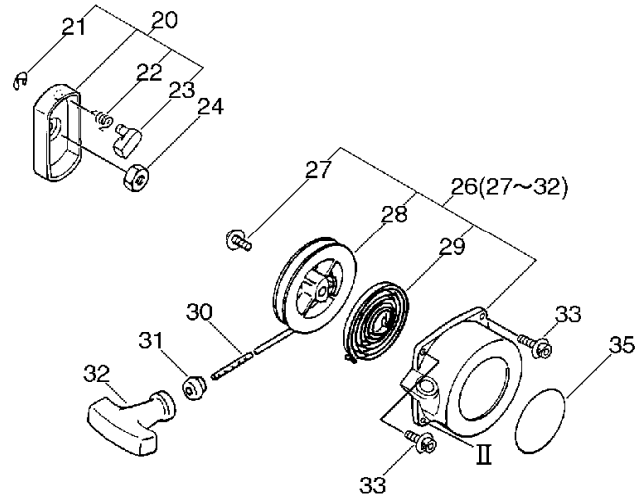


## 2. Magneto, Clutch



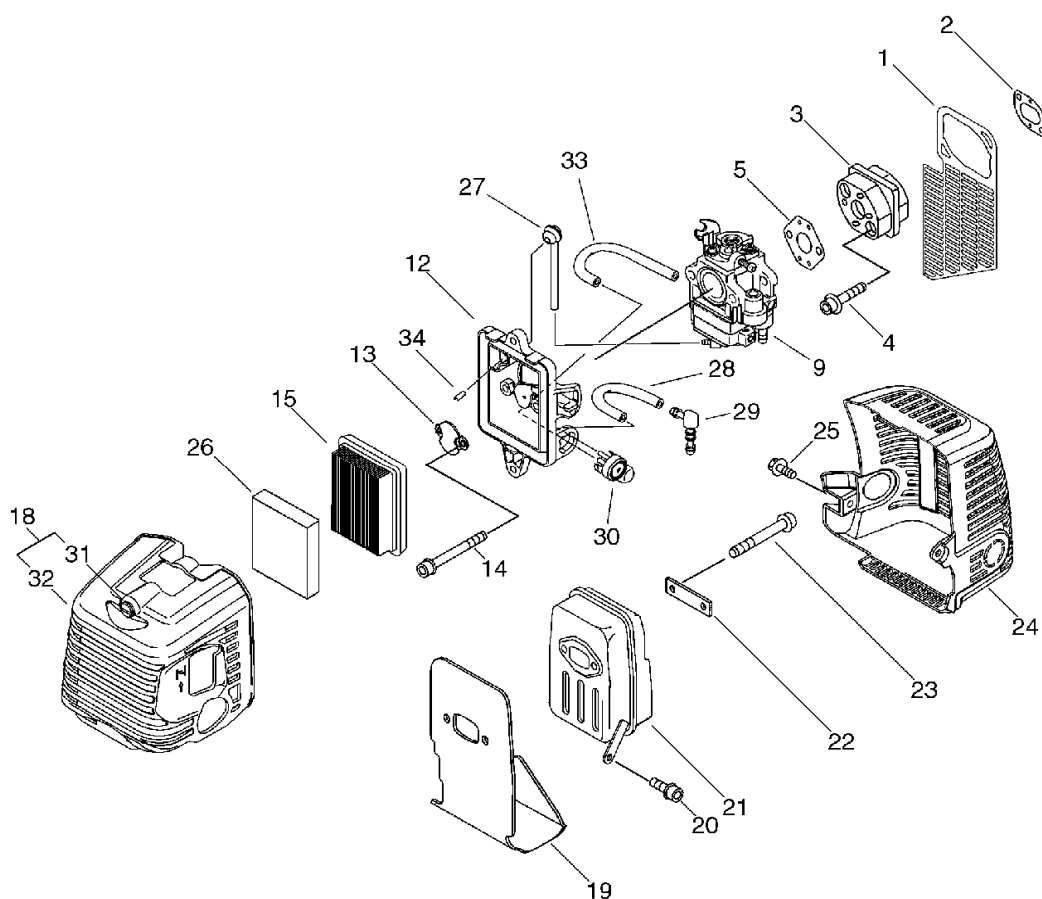
KEY	LV	PART NUMBER	Q'TY	DESCRIPTION	REMARKS	NOTE1	NOTE2
15	+	A553-000040	2	ARM,CLUTCH		Sr/Nr 36001841 and after	
16	+	175049-03920	2	WASHER		Sr/Nr 36001840 and before	
16	+	V453-000070	1	SPRING,FLAT		Sr/Nr 36001841 and after	
17		900519-00010	1	NUT, FLANGE 10	10*1.25		
18		A409-000060	1	ROTOR,MAGNETO		Sus. by P021- 005911	
18		A409-000061	1	ROTOR,MAGNETO		Sus. by P021- 005911	
18		P021-005910	1	ROTOR,MAGNETO KIT		Sus. by P021- 005911	
18		P021-005911	1	ROTOR,MAGNETO KIT		Sr/Nr 36007483 to 36013322	
19	+	900323-03014	1	KEY WOODRUFF	3*14	Can be used P021- 005910,005911	

## 3. Starter



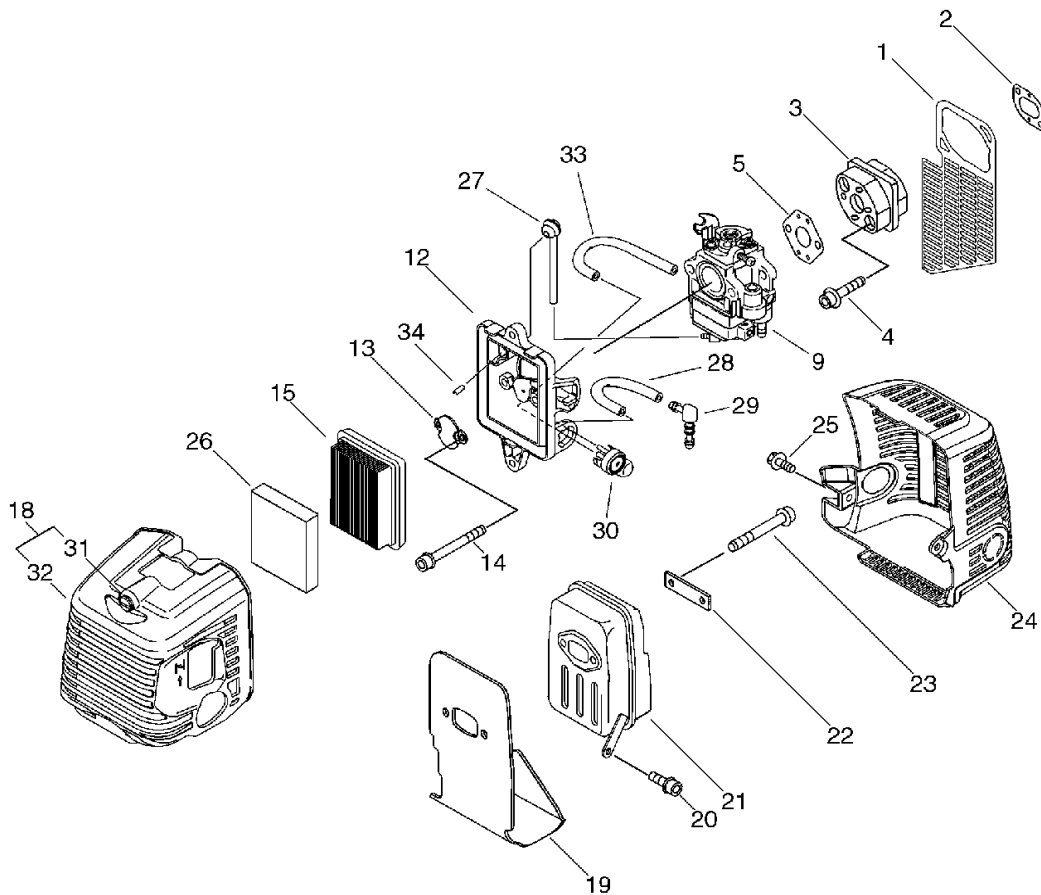
KEY	LV	PART NUMBER	Q'TY	DESCRIPTION	REMARKS	NOTE1	NOTE2
20		A052-000010	1	PULLEY,ASM STARTER		Sus. by A052-000011	
20		A052-000011	1	PULLEY,ASM STARTER			
21	+	P022-002100	1	E-RING	4		
22	+	P022-002090	1	SPRING, RETURN	A0522160050		
23	+	177218-40630	1	PAWL, STARTER	WHITE		
24		900502-00008	1	NUT 8 (3N)	3N8		
26		A051-000070	1	STARTER,RECOIL			
27	+	177236-06910	1	SCREW			
28	+	P022-002080	1	DRUM, STARTER			
29	+	177220-06310	1	SPRING, REWIND			
30	+	177226-06310	1	ROPE, STARTER	3.8*1150		
31	+	177227-42030	1	GUIDE, ROPE			
32	+	177228-27030	1	GRIP, STARTER			
33		900106-05020	2	BOLT, H.S. 5*20	5*20	Sus. by 91121-05020	
35		890118-17930	1	LABEL, ECHO		Sus. by X502-000460	

## 4. Air Cleaner, Muffler(Sr/Nr 36026457 and befor)



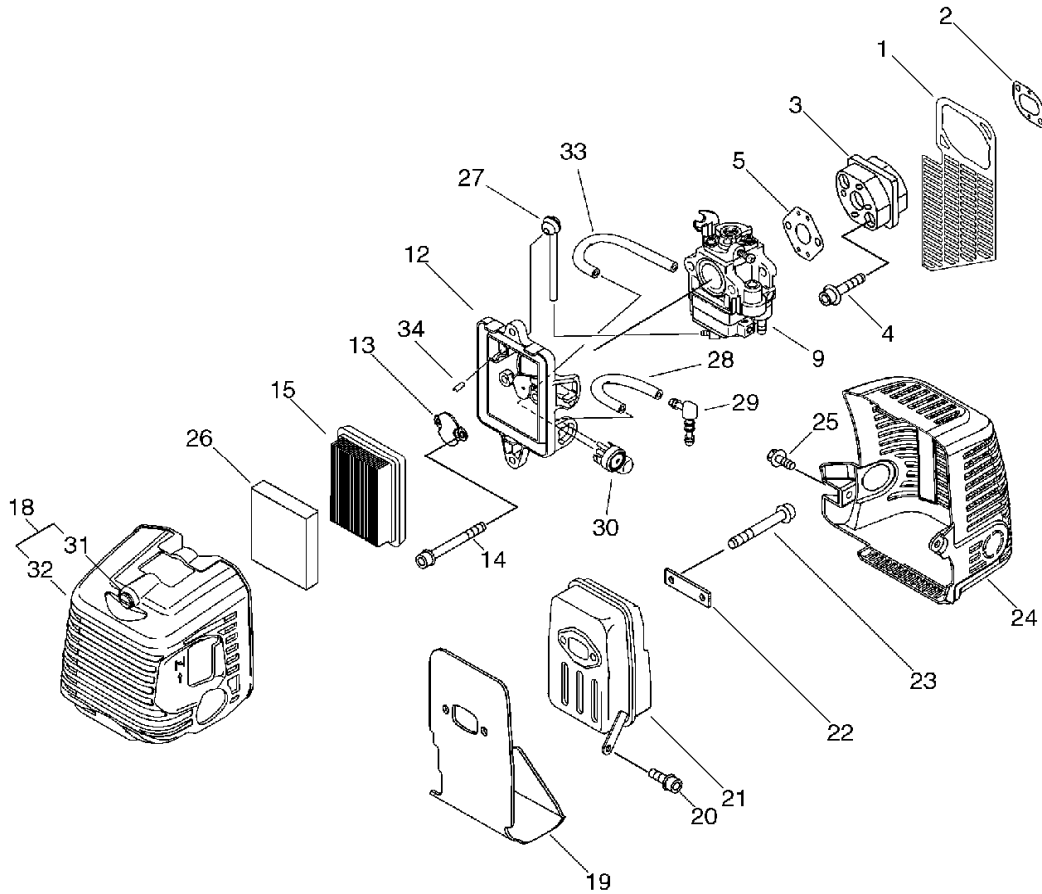
KEY	LV	PART NUMBER	Q'TY	DESCRIPTION	REMARKS	NOTE1	NOTE2
1		A128-000060	1	PLATE,DUST		Sr/Nr 36002453 and after	
2		V103-000070	1	GASKET,INTAKE			
3		A200-000060	1	INSULATOR,INTAKE			
4		900106-05025	2	BOLT, H.S. 5*25	5*25		
5		V103-000080	1	GASKET,INTAKE			
9		A021-000340	1	CARBURETOR,DIAPHRAGM		Sus. by A021- 000341	
9		A021-000341	1	CARBURETOR,DIAPHRAGM	WYK-158A	Sr/Nr 35999999 and before	
9		A021-000591	1	CARBURETOR,DIAPHRAGM	WYK-173A	Sus. by A021- 001030	
9		A021-001030	1	CARBURETOR,DIAPHRAGM	WYK-216	Sr/Nr 36000001 to 36006992	
9		A021-001160	1	CARBURETOR,DIAPHRAGM	WYK-227	Sr/Nr 36006993 and after	
10		A235-000060	1	KNOB,CLEANER LID		Sr/Nr 36006992 and before	
11		J485-000030	1	HINGE		Sr/Nr 36006992 and before	
12		P021-002490	1	CASE, AIR CLEANER		Sus. by P021- 002491	
12		P021-002491	1	CASE, AIR CLEANER		Sr/Nr 36006992 and before	

## 4. Air Cleaner, Muffler(Sr/Nr 36026457 and befor)



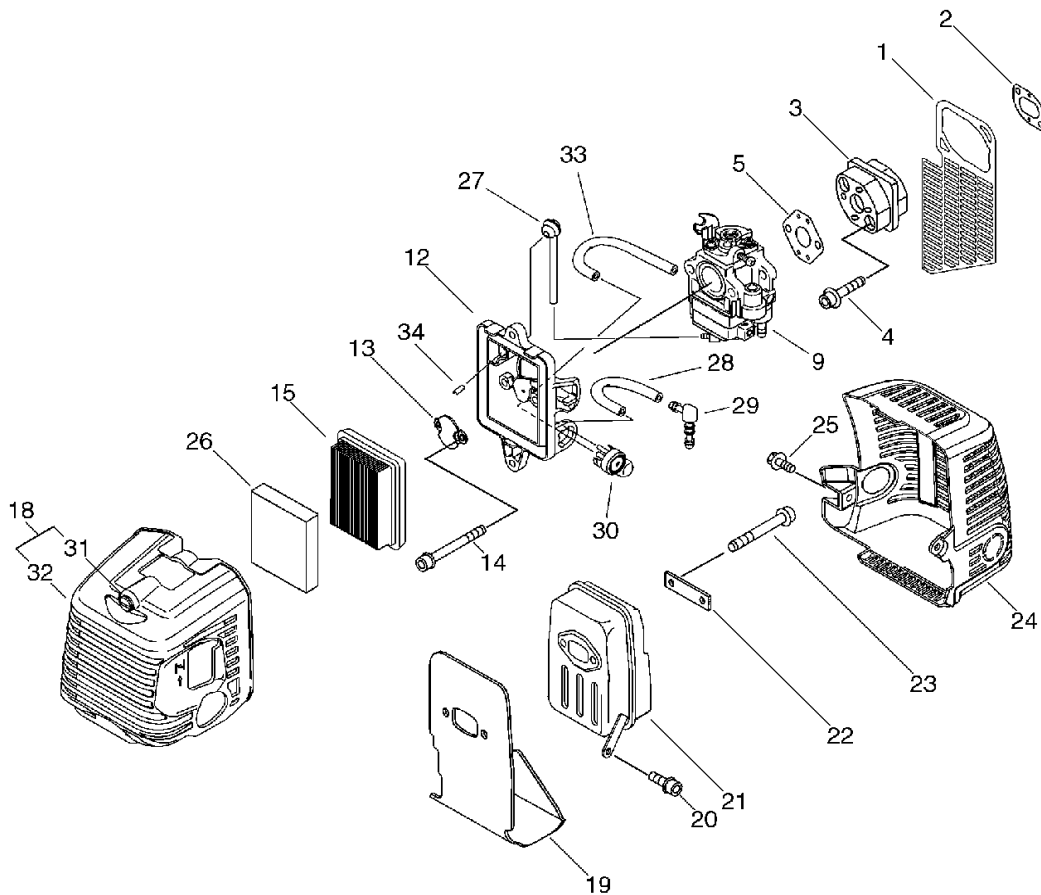
KEY	LV	PART NUMBER	Q'TY	DESCRIPTION	REMARKS	NOTE1	NOTE2
12		P021-009590	1	CASE, AIR CLEANER		Sr/Nr 36006993 and after	
13		A244-000010	1	PLATE, PREVENT			
14		900105-05055	2	BOLT, H.S. 5*55	5*55		
15		A226-000080	1	ELEMENT, AIR FILTER		Sr/Nr 36006992 and before	
15		A226-000320	1	ELEMENT, AIR FILTER		Sr/Nr 36006993 and after Sus. by A226-000360	
16		900253-04008	1	SCREW 4*8	4*8	Sr/Nr 36006992 and before	
17		A323-000000	1	PIECE, COVER		Sr/Nr 36006992 and before	
18		A232-000090	1	LID, CLEANER		Sus. by A232- 000300	
18		A232-000091	1	LID, CLEANER		Sus. by A232- 000300	
18		A232-000300	1	LID, CLEANER		Sr/Nr 36006992 and before	
18		P021-009600	1	LID, CLEANER ASY		Sr/Nr 36006993 and after	
31	+	V253-000100	2	SCREW, 5	5*20		
32	+	A232-000320	1	LID, CLEANER			
19		V104-000210	1	GASKET, EXHAUST			
20		900162-05012	1	BOLT, H.S. 5*12	5*12 W, SW		

## 4. Air Cleaner, Muffler(Sr/Nr 36026457 and befor)



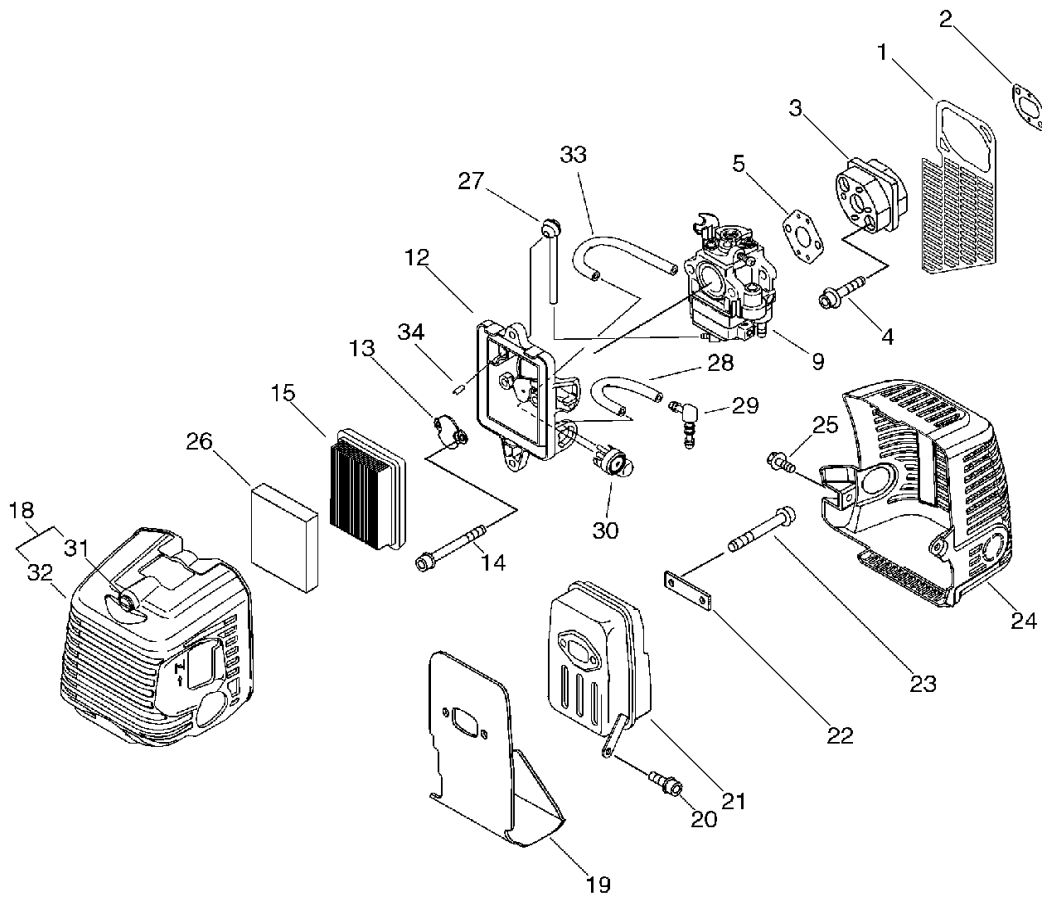
KEY	LV	PART NUMBER	Q'TY	DESCRIPTION	REMARKS	NOTE1	NOTE2
21		A300-000190	1	MUFFLER,EXHAUST	T0.6	Sr/Nr 35999999 and before	
21		P021-008900	1	MUFFLER ASY		Sr/Nr 36001001 and after	
22		V150-000550	1	PLATE,EYE			
23		900105-06060	2	BOLT, H.S. 6*60	6*60		
24		A320-000080	1	COVER,MUFFLER			
25		900106-05012	1	BOLT, H.S. 5*12	5*12	Sus. by 91121- 05012	
26		A226-000210	1	ELEMENT,AIR FILTER		OPTION	
27		132012-39330	1	PIPE, W/GROMMET	L105 NBR	Sr/Nr 36006993 and after Sus. by 132012-39331	
28		437215-20760	1	PIPE 3*6*60	3*6*60 YL	Sr/Nr 36006993 and after	
29		V186-000120	1	JOINT,PIPE	5.4	Sr/Nr 36006993 and after Sus. by V186-000080	
30		123181-39130	1	PUMP, PRIMER		Sr/Nr 36006993 and after	
33		V471-001560	1	PIPE	2.4*5*80	Sr/Nr 36006993 and after	

## 5. Air Cleaner, Muffler(Sr/Nr 36026458 and after)



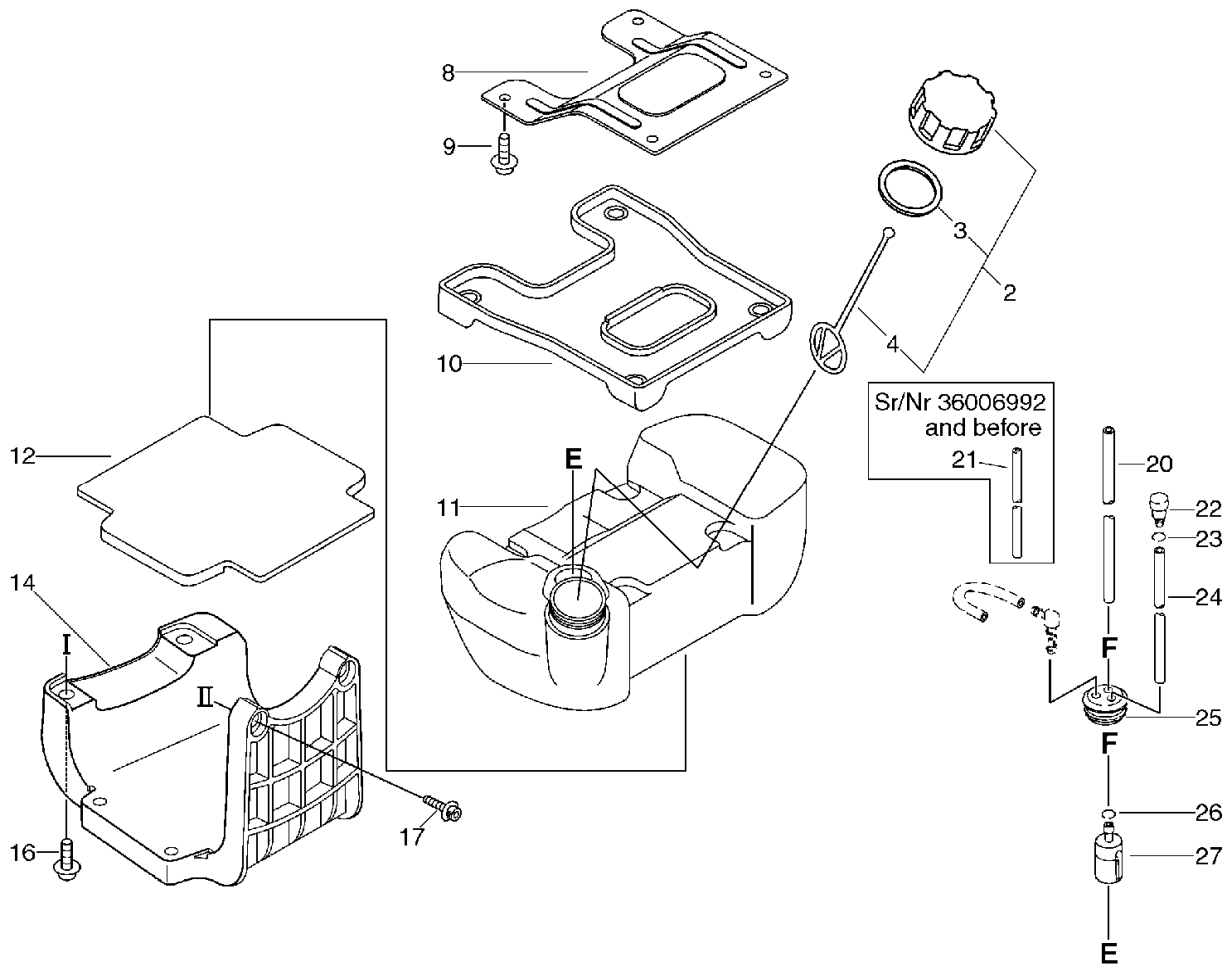
KEY	LV	PART NUMBER	Q'TY	DESCRIPTION	REMARKS	NOTE1	NOTE2
1		A128-000060	1	PLATE,DUST			
2		V103-000070	1	GASKET,INTAKE			
3		A200-000060	1	INSULATOR,INTAKE			
4		900106-05025	2	BOLT, H.S. 5*25	5*25		
5		V103-000080	1	GASKET,INTAKE			
9		A021-001160	1	CARBURETOR,DIAPHRAGM	WYK-227		
12		P021-009590	1	CASE, AIR CLEANER			
13		A244-000010	1	PLATE,PREVENT			
14		900105-05055	2	BOLT, H.S. 5*55	5*55		
15		A226-000360	1	ELEMENT, AIR FILTER	AFP-2010K-300		
18		P021-009600	1	LID,CLEANER ASY			
31	+	V253-000100	2	SCREW,5	5*20		
32	+	A232-000320	1	LID,CLEANER			
19		V104-000210	1	GASKET,EXHAUST			
20		900162-05012	1	BOLT, H.S. 5*12	5*12 W,SW		
21		P021-008900	1	MUFFLER ASY			
22		V150-000550	1	PLATE,EYE			
23		900105-06060	2	BOLT, H.S. 6*60	6*60		
24		A320-000080	1	COVER,MUFFLER			
25		91121-05012	1	BOLT, FLANGE	10.9 SILVER		
26		A226-000210	1	ELEMENT,AIR FILTER			
27		132012-39331	1	PIPE	3*6*105		
28		437215-20760	1	PIPE 3*6*60	3*6*60 YL		
29		V186-000080	1	JOINT,PIPE			
30		123181-39130	1	PUMP, PRIMER			

## 5. Air Cleaner, Muffler(Sr/Nr 36026458 and after)



KEY	LV	PART NUMBER	Q'TY	DESCRIPTION	REMARKS	NOTE1	NOTE2
33		V471-001560	1	PIPE	2.4*5*80		
34		A239-000050	1	PIPE, INTAKE		Sr/Nr 36026458 and after	

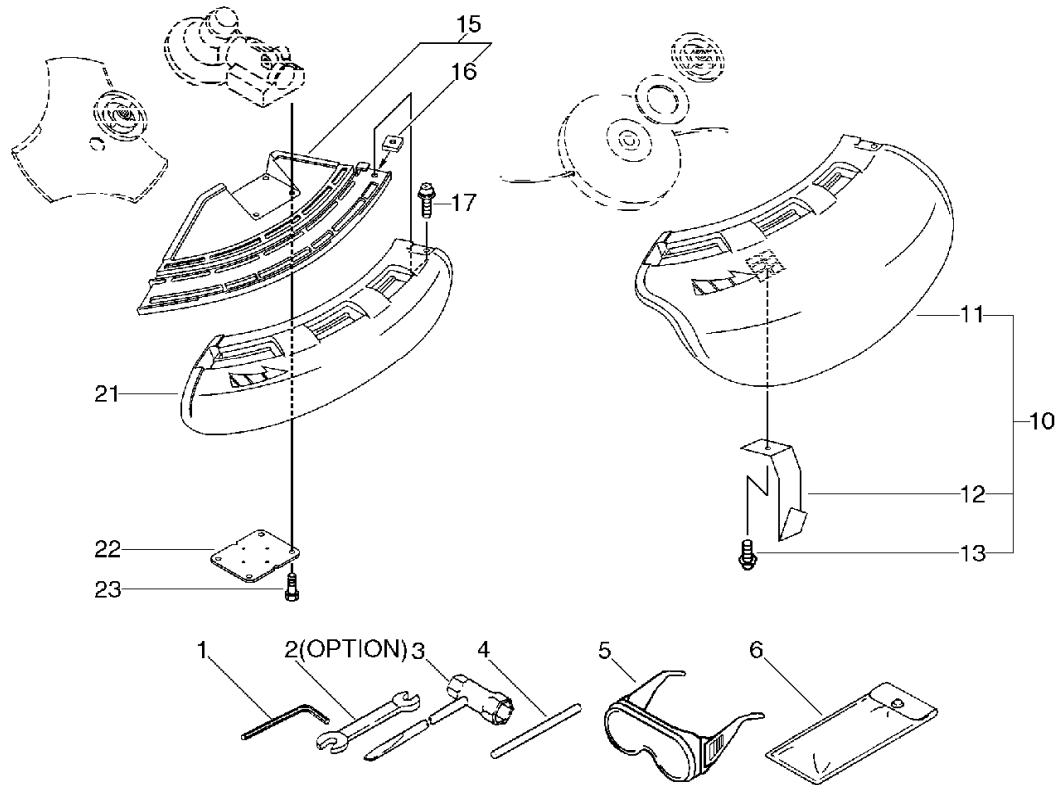
## 6. Fuel Tank



KEY	LV	PART NUMBER	Q'TY	DESCRIPTION	REMARKS	NOTE1	NOTE2
2		131004-55530	1	CAP ASSY, FUEL TANK			
3	+	131016-55830	1	GASKET, FUEL CAP			
4	+	131051-56030	1	CLIP, FUEL CAP	100L		
8		A393-000030	1	BRACKET, FUEL TANK			
9		900106-05012	4	BOLT, H.S. 5*12	5*12		
10		A390-000000	1	SEAT, FUEL TANK			
11		A350-000130	1	TANK, FUEL	HB330		
12		A390-000010	1	SEAT, FUEL TANK			
14		A393-000050	1	BRACKET, FUEL TANK			
16		900106-05020	2	BOLT, H.S. 5*20	5*20		Sus. by 91121-05020
17		900106-05025	2	BOLT, H.S. 5*25	5*25		Sus. by 91121-05025
20		132010-53630	1	PIPE	3*6*180 NBR		
21		437215-20760	1	PIPE 3*6*60	3*6*60 YL		Sr/Nr 36006992 and before
22		131300-56430	1	VALVE, CHECK			
23		132013-26630	1	CLIP	6.5MM		
24		132012-02960	1	PIPE, FUEL	3*6*120L		
25		132115-55930	1	GROMMET, FUEL			
26		132013-26630	1	CLIP	6.5MM		
27		131205-19830	1	STRAINER, FUEL			Sus. by 131205-19831

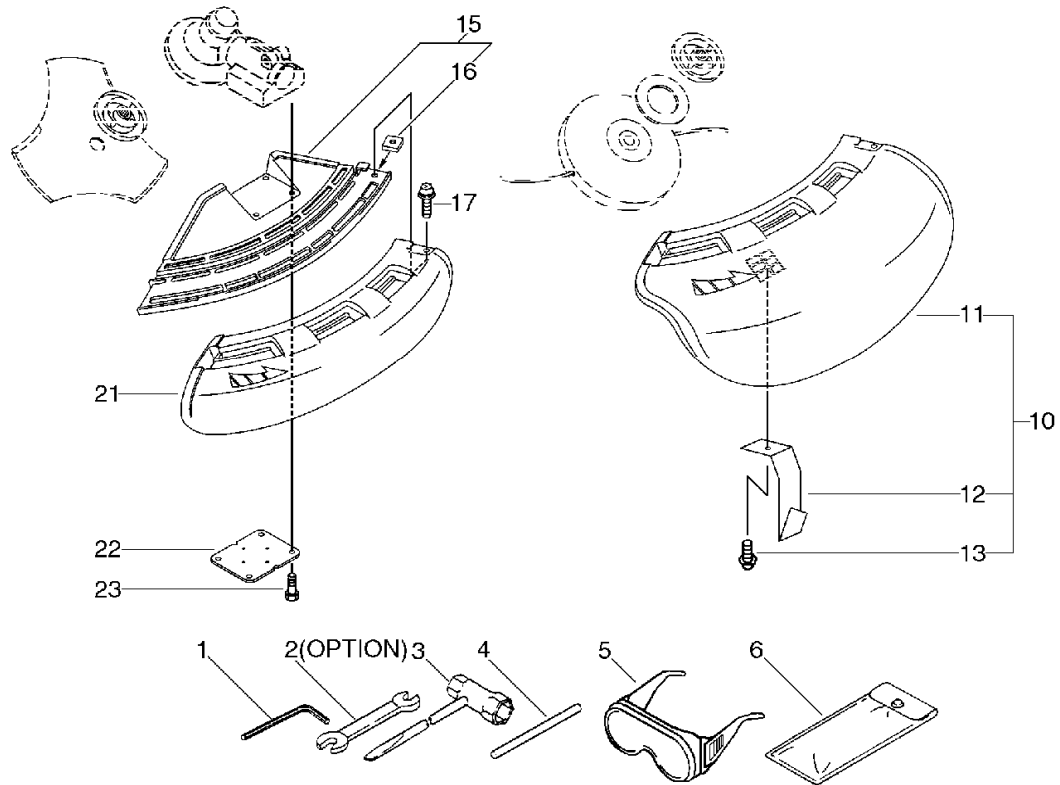


## 7. Shield, Tools(Sr/Nr 36021826 and before)



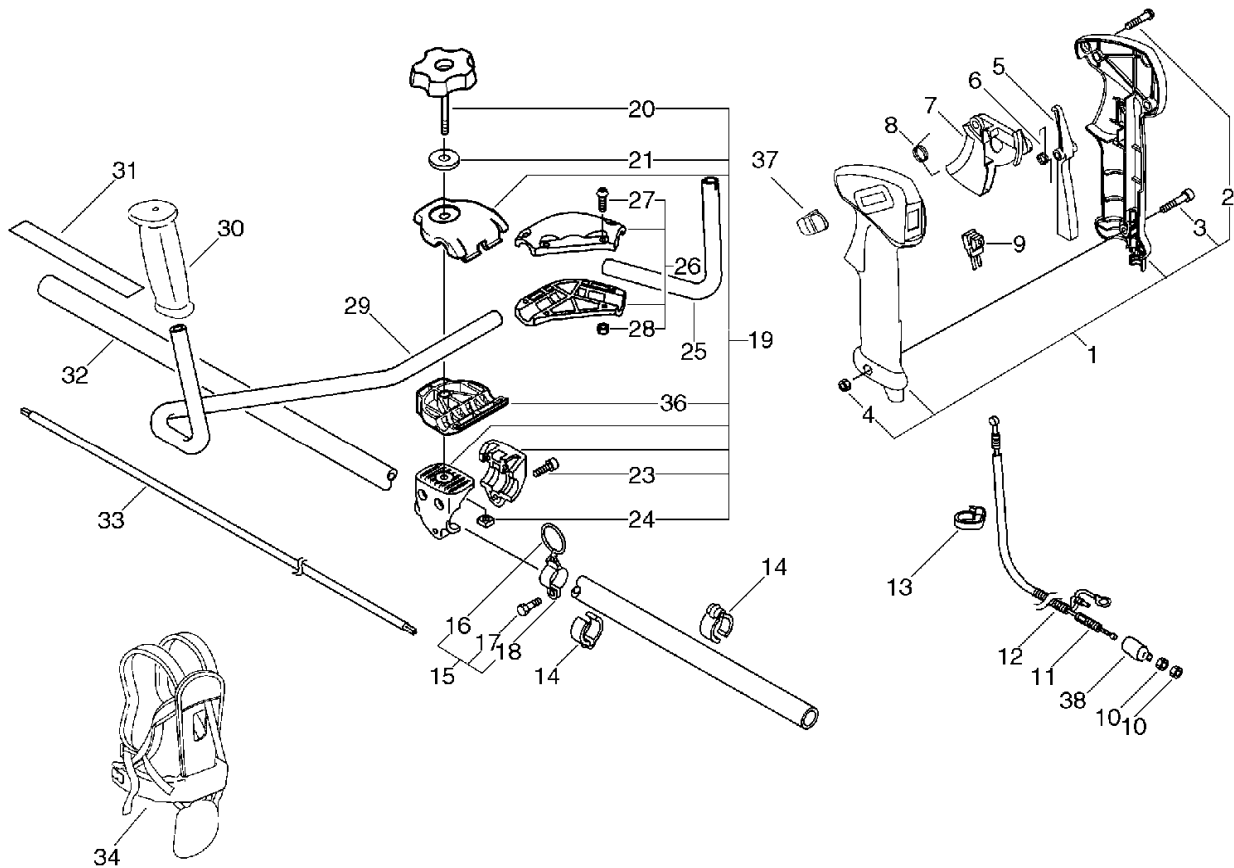
KEY	LV	PART NUMBER	Q'TY	DESCRIPTION	REMARKS	NOTE1	NOTE2
1		895610-00130	1	L-WRENCH (4MM)			
2		895112-00330	1	SPANNER 8*10		OPTION	
3		895410-08030	1	WRENCH, W/S. DRIVER		Sus. by X602-000020	
3		X602-000020	1	TOOL,WRENCH	17*19 L200		
4		897518-01131	1	LOCKING TOOL			
5		899580-68730	1	SAFETY GLASSES		Sus. by X690-000030	
5		X690-000030	1	GOGGLE			
6		898510-39130	1	BAG, TOOL			
10		P021-002620	1	SHIELD,BLADE(W/KNIFE)		Sr/Nr 36021826 and before	
11	+	C550-000080	1	SHIELD,BLADE			
12	+	C554-000000	1	KNIFE,CORD		Sr/Nr 36021826 and before	
13	+	900252-05012	1	SCREW 5*12	5*12		
16		900565-00005	1	NUT	5		
17		900242-05018	1	SCREW 5*18	5*18		
20		C550-000100	1	SHIELD,BLADE			
21		C550-000090	1	SHIELD,BLADE			
22		699013-56830	1	PLATE, SHIELD			
23		900162-05025	4	BOLT, H.S. 5*25	5*25 W,SW	Sus. by 91118-05025	

## 8. Shield, Tools(Sr/Nr 36021827 and after)



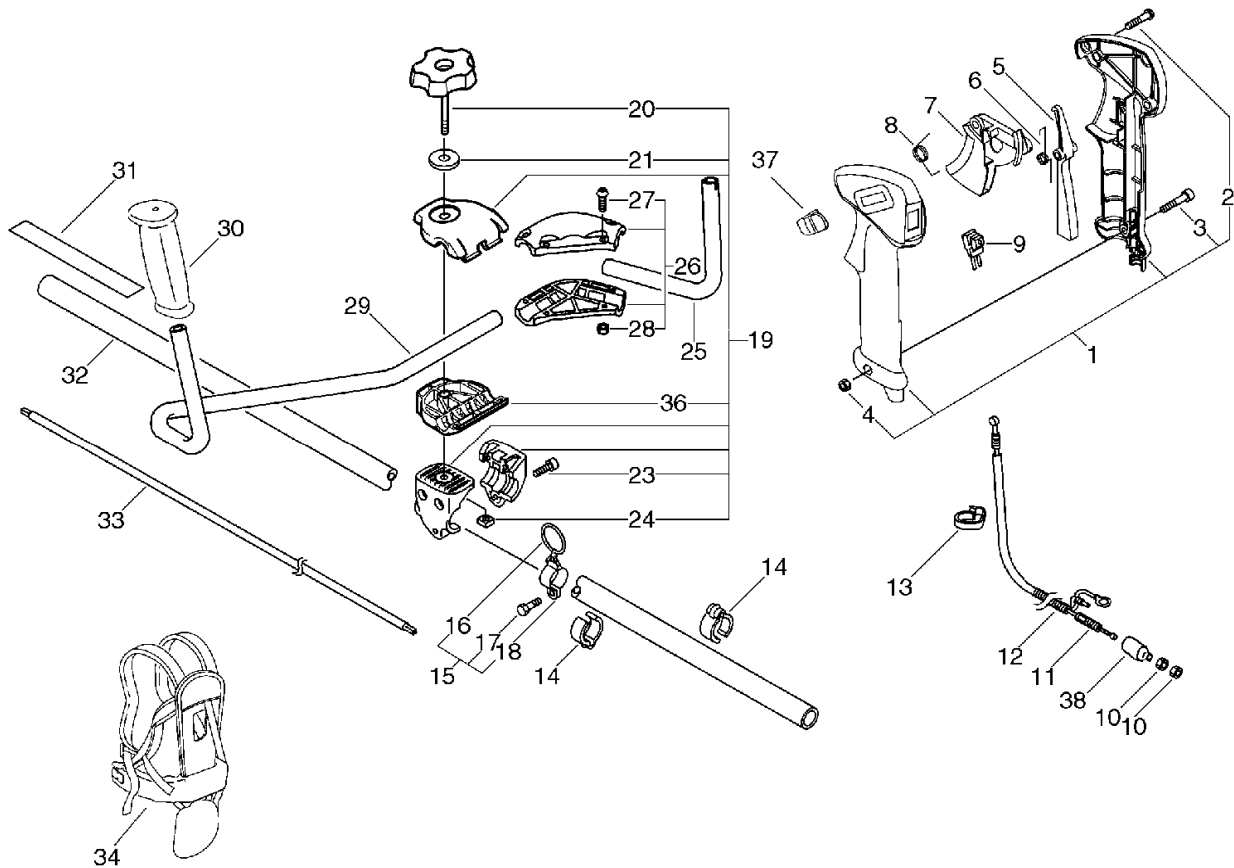
KEY	LV	PART NUMBER	Q'TY	DESCRIPTION	REMARKS	NOTE1	NOTE2
1		895610-00130	1	L-WRENCH (4MM)			
2		895112-00330	1	SPANNER 8*10			
3		X602-000020	1	TOOL,WRENCH	17*19 L200		
4		897518-01131	1	LOCKING TOOL			
5		X690-000030	1	GOGGLE			
6		898510-39130	1	BAG, TOOL			
10		P021-013770	1	SHIELD KIT		Sr/Nr 36021827 and after	
11	+	C550-000080	1	SHIELD,BLADE			
12	+	C554-000030	1	KNIFE, CORD	17INCH	Sr/Nr 36021827 and after	
13	+	900252-05012	1	SCREW 5*12	5*12		
15		C550-000100	1	SHIELD,BLADE			
16	+	900565-00005	1	NUT	5		
17		900242-05018	1	SCREW 5*18	5*18		
21		C550-000090	1	SHIELD,BLADE			
22		699013-56830	1	PLATE, SHIELD			
23		91118-05025	4	BOLT	CM-5*25		

## 9. U-Handle(Sr/Nr 36003252 and before)



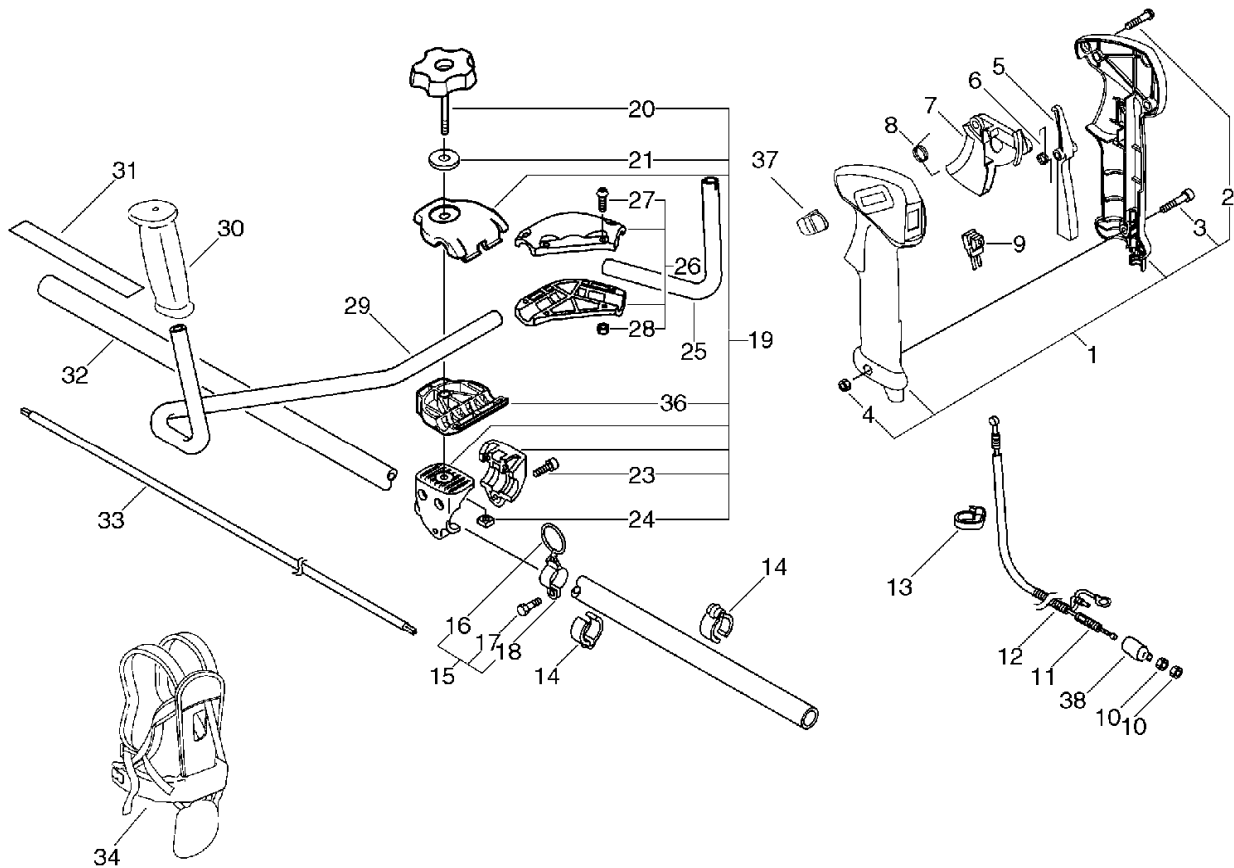
KEY	LV	PART NUMBER	Q'TY	DESCRIPTION	REMARKS	NOTE1	NOTE2
1		P021-002610	1	GRIP ASY,F-HANDLE		Sus. by P021-002612	
1		P021-002611	1	GRIP ASY,F-HANDLE		Sus. by P021-002612	
1		P021-002612	1	GRIP ASY,F-HANDLE			
2	+	900253-04016	3	SCREW 4*16	4*16		
3	+	900220-05030	1	SCREW 5*30	5*30		
4	+	900500-00005	1	NUT 5	5		
5		C460-000010	1	LOCKOUT,THROTTLE		Sus. by C460-000011	
5		C460-000011	1	LOCKOUT,THROTTLE			
6		V452-000050	1	SPRING,TORSION		Sr/Nr 35007510 and before	
6		V452-000130	1	SPRING,TORSION		Sr/Nr 35007511 to 36003252	
7		C450-000020	1	TRIGGER,THROTTLE		Sus. by C450-000022	
7		C450-000021	1	TRIGGER,THROTTLE		Sus. by C450-000022	
7		C450-000022	1	TRIGGER,THROTTLE			
8		V452-000060	1	SPRING,TORSION			
9		A440-000240	1	SWITCH,ON OFF			
10		900502-00006	2	NUT 6 (3N)	3N6		
11		V430-000390	1	CABLE,BOWDEN		Sus. by V430-000960	

## 9. U-Handle(Sr/Nr 36003252 and before)



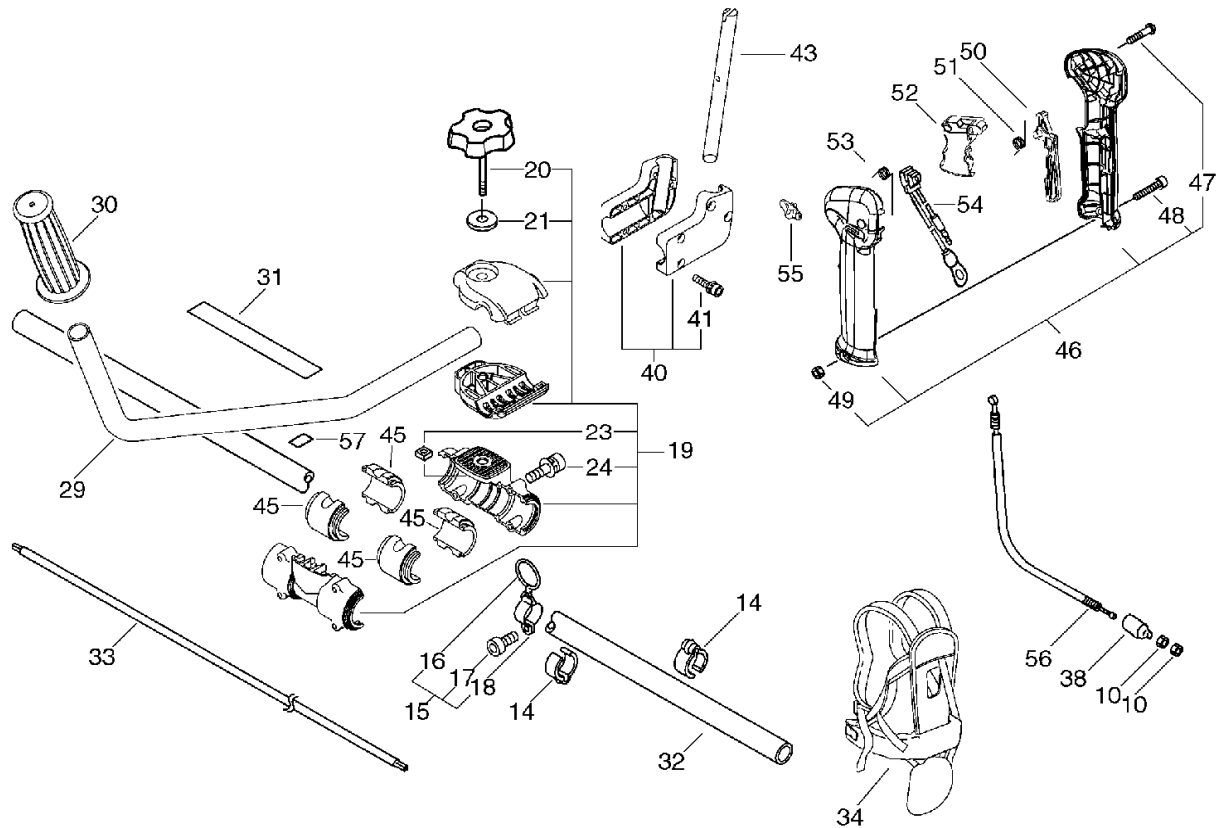
KEY	LV	PART NUMBER	Q'TY	DESCRIPTION	REMARKS	NOTE1	NOTE2
11		V430-000960	1	CABLE,BOWDEN			
12		178127-43230	1	TUBE	7*820		
13		159112-09960	1	CLIP			
14		224924-52930	2	CLIP	28MM		
15		301200-05230	1	HOOK ASS'Y			
16	+	301015-05330	1	HOOK, BAND			
17	+	900105-05012	1	BOLT, H.S. 5*12	5*12		
18	+	301210-04630	1	HOOK			
19		P021-002760	1	BRACKET ASY, HANDLE		Sus. by P021-002761	
19		P021-002761	1	BRACKET ASY, HANDLE			
20	+	V299-000110	1	KNOB,FASTENER			
21	+	605014-54230	1	WASHER			
23	+	900162-05030	3	BOLT, H.S. 5*30	5*30 W,SW		
24	+	900565-50008	1	NUT	8*1.25		
36	+	C423-000041	1	FIXTURE,HANDLE			
25		351214-52931	1	HANDLE			
26		351202-51430	1	BRACKET ASSY, HANDLE			
27	+	900162-05020	4	BOLT, H.S. 5*20	5*20 W,SW		
28	+	900500-00005	4	NUT 5	5		
29		351010-52931	1	HANDLE, FRONT			
30		C403-000030	1	GRIP,HANDLE		Sus. by C403-000031	
30		C403-000031	1	GRIP,HANDLE			
31		890617-43130	1	LABEL,CAUTION			
32		C050-000050	1	PIPE,MAIN			

## 9. U-Handle(Sr/Nr 36003252 and before)



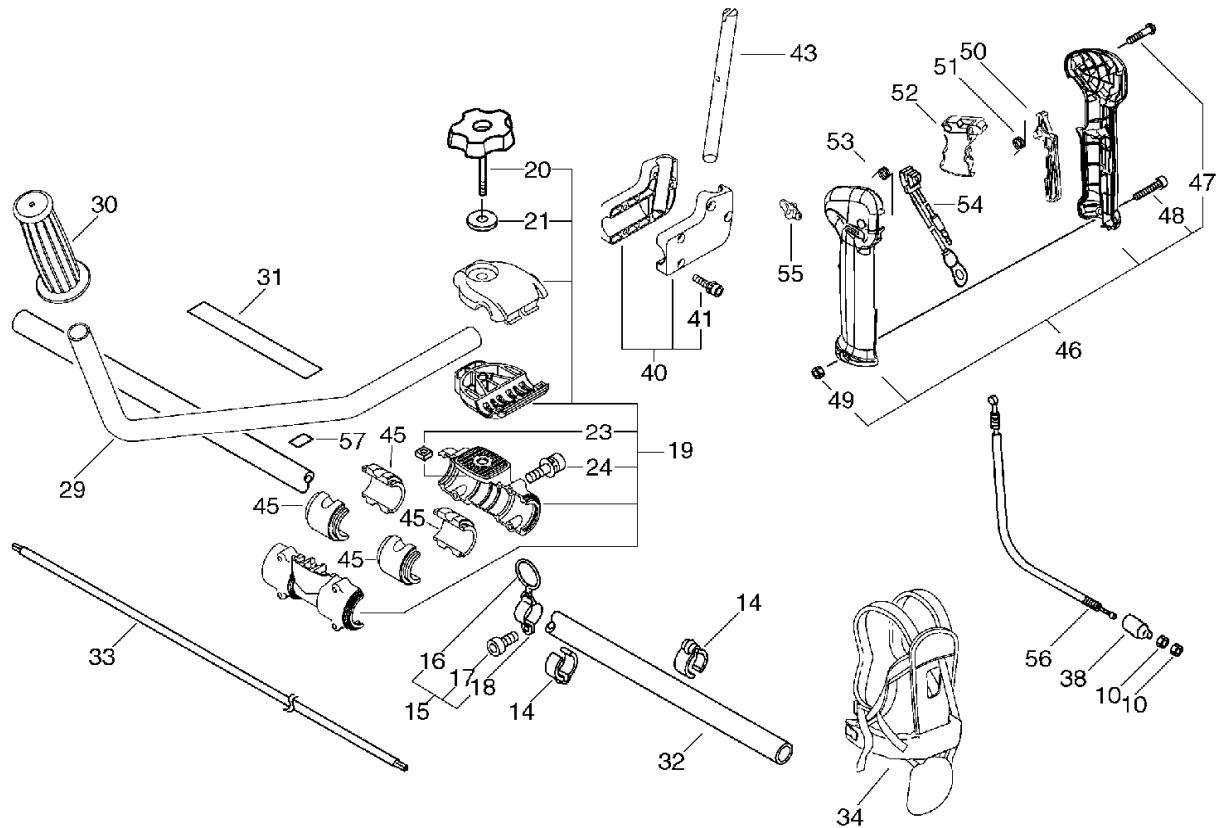
KEY	LV	PART NUMBER	Q'TY	DESCRIPTION	REMARKS	NOTE1	NOTE2
33		610011-49930	1	SHAFT, DRIVE			
34		301001-56831	1	HARNES ASY, SHOULDER		Sus. by C062-000181	
34		C062-000180	1	HARNES, SHOULDER	ECHO	Sus. by C062-000181	
34		C062-000181	1	HARNES, SHOULDER			
37		C463-000000	1	KNOB, LATCH		Sr/Nr 35007511 to 36003252	
38		V494-000080	1	CAP		Sr/Nr 35007511 to 36003252	

## 10. U-Handle(Sr/Nr 36003253 to 36022697)



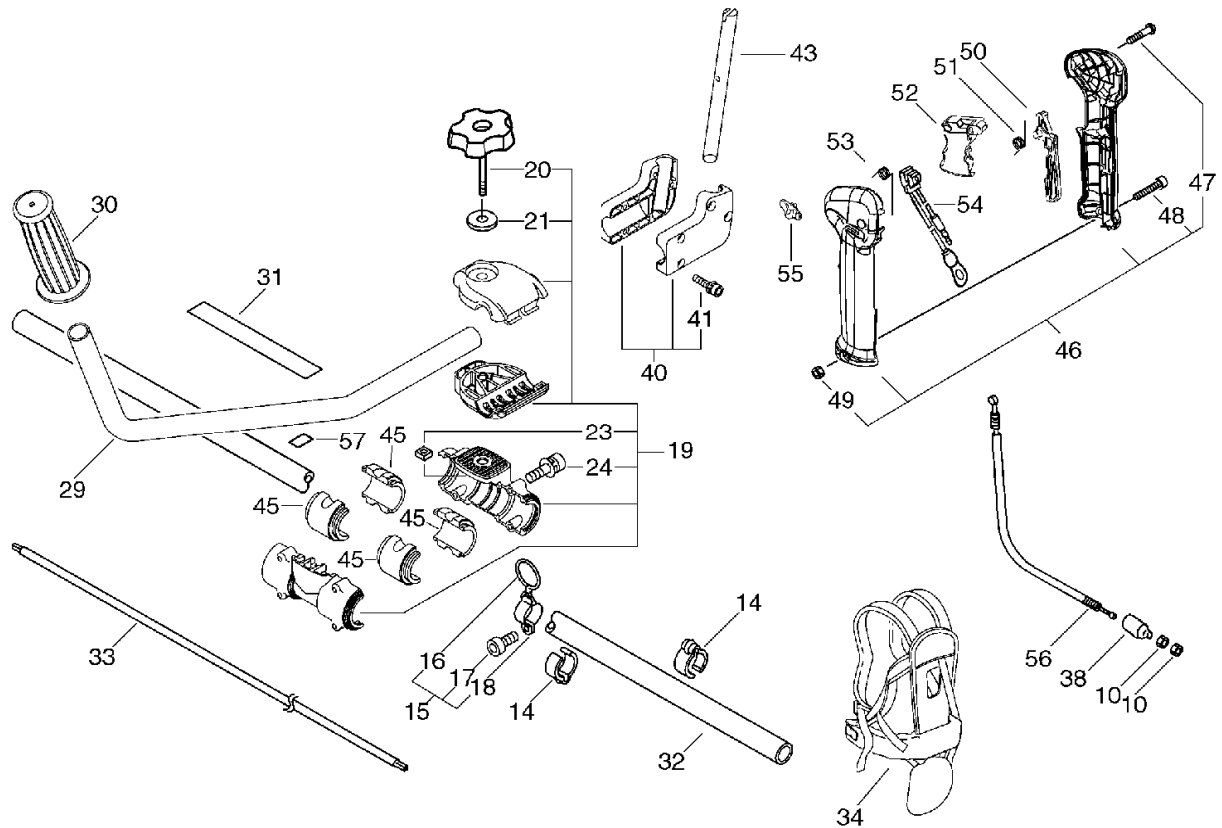
KEY	LV	PART NUMBER	Q'TY	DESCRIPTION	REMARKS	NOTE1	NOTE2
1		P021-002612	1	GRIP ASY,F-HANDLE		Sr/Nr 36003253 to 36022697	
2	+	900253-04016	3	SCREW 4*16	4*16	Sr/Nr 36003253 to 36022697	
3	+	900220-05030	1	SCREW 5*30	5*30	Sr/Nr 36003253 to 36022697	
4	+	900500-00005	1	NUT 5	5		
5		C460-000011	1	LOCKOUT,THROTTLE		Sr/Nr 36003253 to 36022697	
6		V452-000130	1	SPRING,TORSION		Sr/Nr 36003253 to 36022697	
7		C450-000022	1	TRIGGER,THROTTLE		Sr/Nr 36003253 to 36022697	
8		V452-000060	1	SPRING,TORSION		Sr/Nr 36003253 to 36022697	
9		A440-000610	1	SWITCH,ON OFF		Sr/Nr 36003253 to 36022697	
10		900502-00006	2	NUT 6 (3N)	3N6		

## 10. U-Handle(Sr/Nr 36003253 to 36022697)



KEY	LV	PART NUMBER	Q'TY	DESCRIPTION	REMARKS	NOTE1	NOTE2
11		V430-001470	1	CABLE,BOWDEN			Sr/Nr 36003253 to 36022697
12		V475-003590	1	TUBE	7*740		
14		224924-52930	2	CLIP	28MM		
15		301200-05230	1	HOOK ASS'Y			Sus. by P021-012660
16	+	301015-05330	1	HOOK, BAND			
17	+	900105-05012	1	BOLT, H.S. 5*12	5*12		Sus. by 91119-05012
18	+	301210-04630	1	HOOK			
19		P021-009220	1	BRACKET ASY, HANDLE			Sus. by P021-009221
19		P021-009221	1	BRACKET ASY, HANDLE			Sus. by P021-012750
20	+	V299-000110	1	KNOB,FASTENER			
21	+	605014-54230	1	WASHER			
23	+	900565-50008	1	NUT	8*1.25		
24	+	900162-05035	4	BOLT, H.S. 5*35	5*35 W,SW		Sus. by 91118-05035
29		C400-000400	1	HANDLE,FRONT			
30		351213-47531	1	GRIP, HANDLE			
31		890617-43130	1	LABEL,CAUTION			
32		C050-000050	1	PIPE,MAIN			Sus. by C050-000880

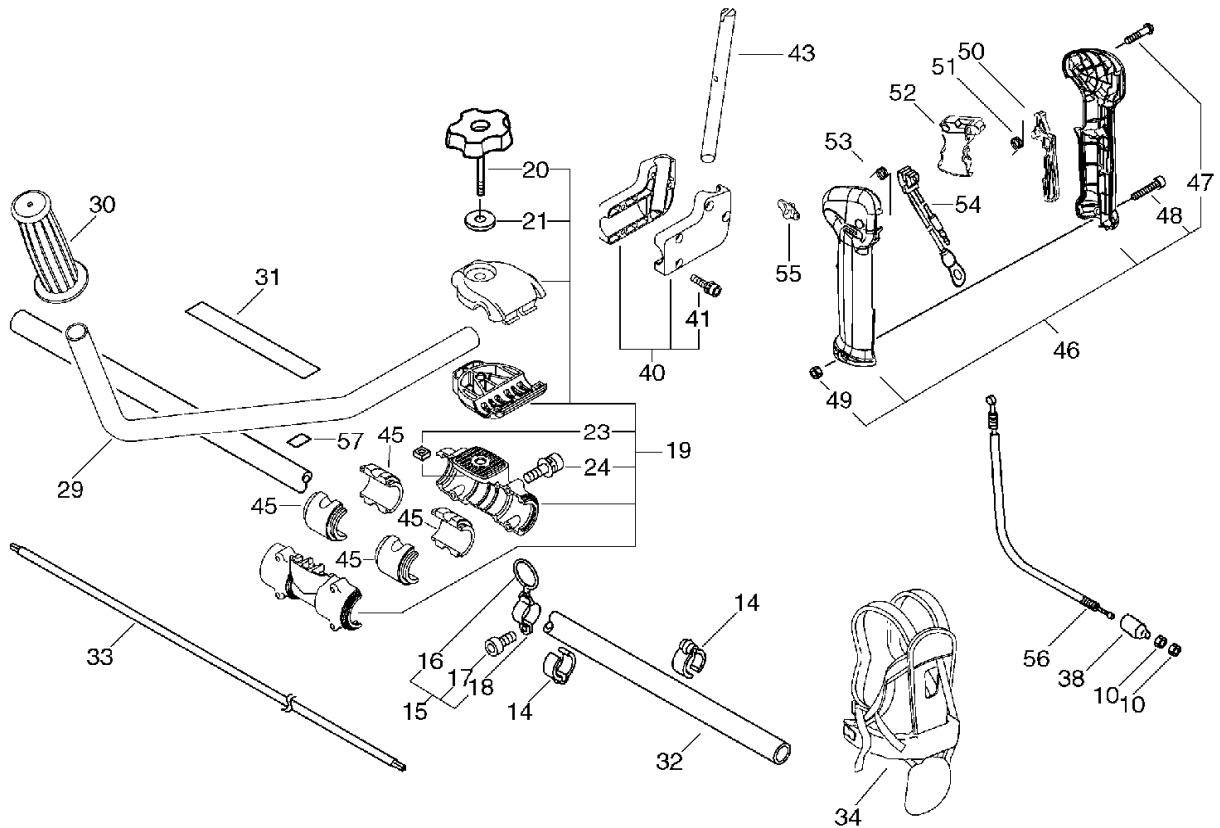
## 10. U-Handle(Sr/Nr 36003253 to 36022697)



KEY	LV	PART NUMBER	Q'TY	DESCRIPTION	REMARKS	NOTE1	NOTE2
33		610011-49930	1	SHAFT, DRIVE		Sus. by 610011-49931	
34		C062-000180	1	HARNESS, SHOULDER	ECHO	Sus. by C062-000181	
34		C062-000181	1	HARNESS, SHOULDER		Sus. by C062-000182	
37		C463-000000	1	KNOB, LATCH		Sr/Nr 36003253 to 36022697	
38		V494-000080	1	CAP			
40		351302-47530	1	BRACKET, HANDLE		Sus. by P021-012730	
41	+	900162-05025	4	BOLT, H.S. 5*25	5*25 W, SW	Sus. by 91118-05025	
43		351210-47530	1	HANDLE, REAR			
45		V420-001120	4	CUSHION			

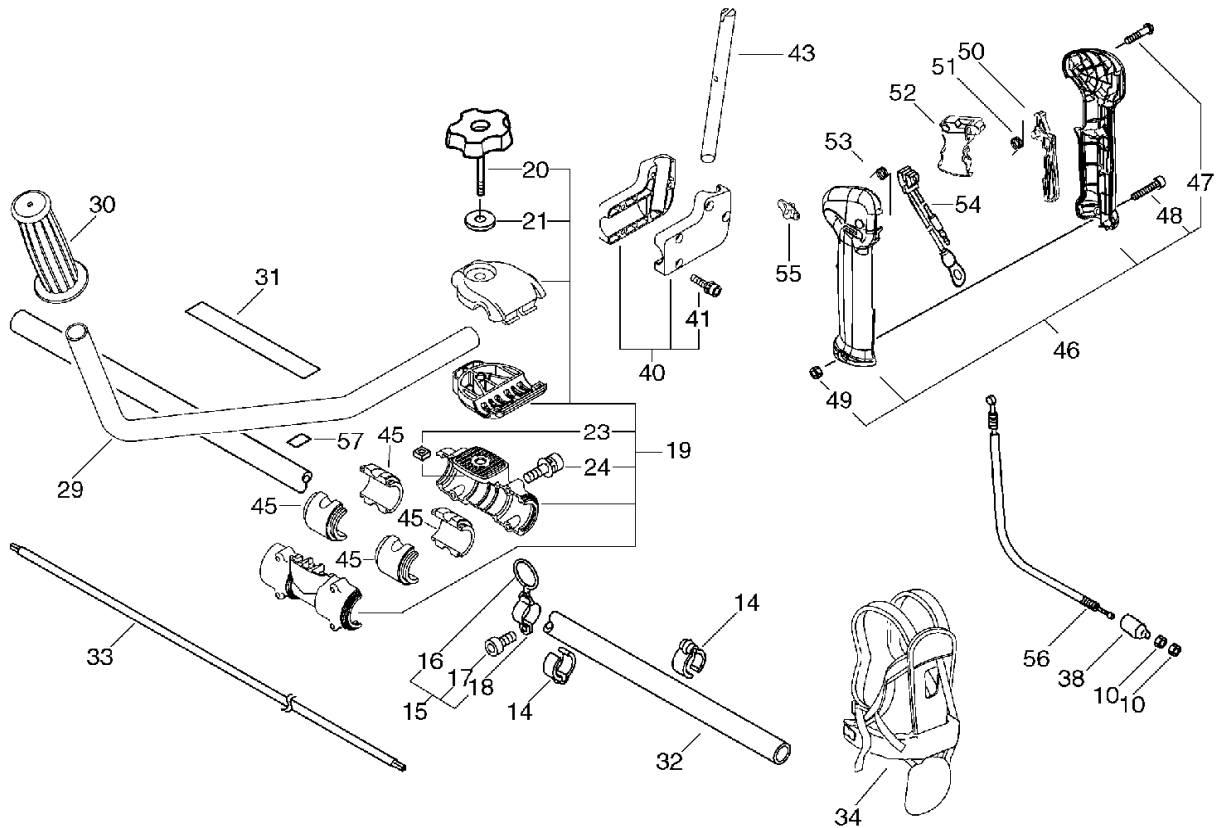


## 11. U-Handle(Sr/Nr 36022998 and after)



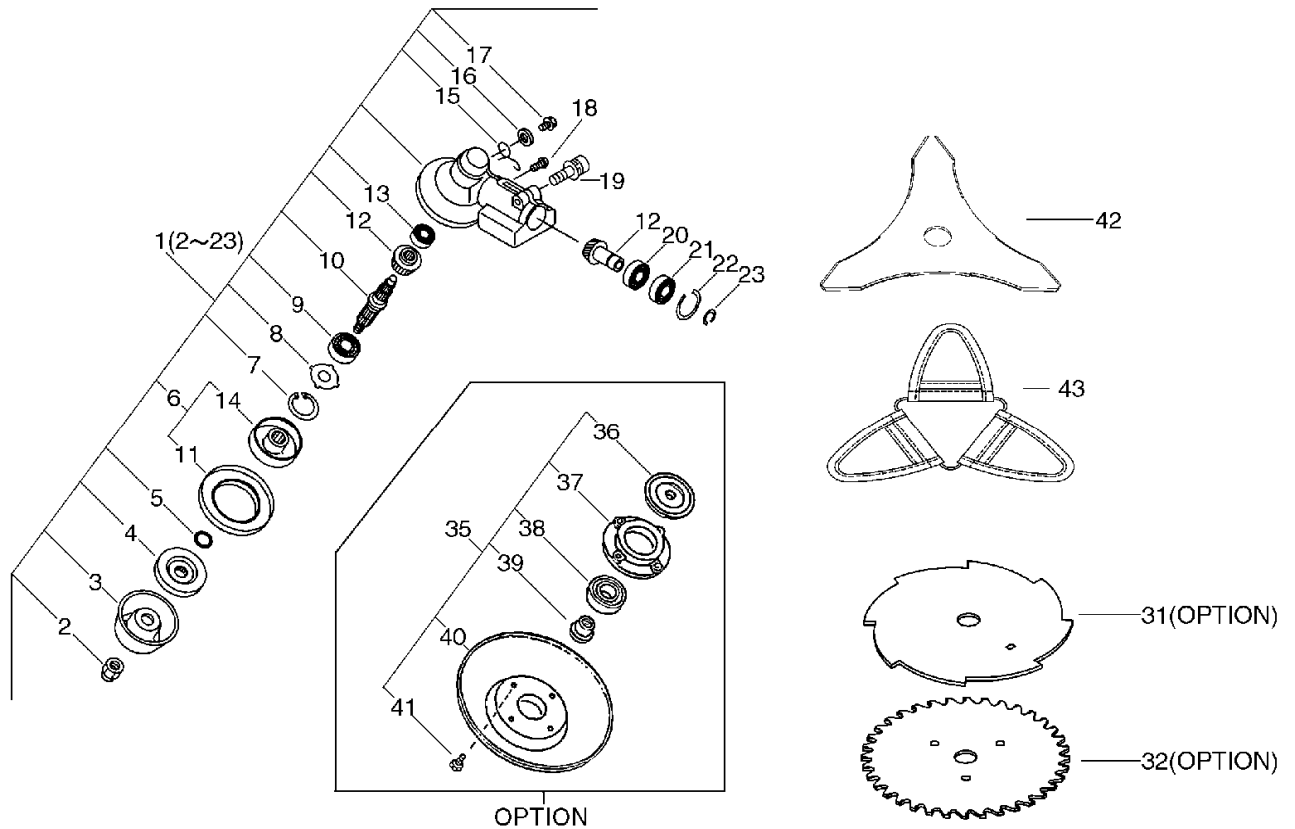
KEY	LV	PART NUMBER	Q'TY	DESCRIPTION	REMARKS	NOTE1	NOTE2
10		900502-00006	2	NUT 6 (3N)	3N6		
14		224924-52930	2	CLIP	28MM		
15		P021-012660	1	HOOK ASY			
16	+	301015-05330	1	HOOK, BAND			
17	+	91119-05012	1	BOLT	CB-5*12		
18	+	301210-04630	1	HOOK			
19		P021-012750	1	BRACKET ASY, HANDLE			
20	+	V299-000110	1	KNOB, FASTENER			
21	+	605014-54230	1	WASHER			
23	+	900565-50008	1	NUT	8*1.25		
24	+	91118-05035	4	BOLT			
29		C400-000400	1	HANDLE, FRONT			
30		351213-47531	1	GRIP, HANDLE			
31		890617-43130	1	LABEL, CAUTION			
32		C050-000880	1	PIPE, MAIN	T2.0*28		
33		610011-49930	1	SHAFT, DRIVE		Sus. by 610011-49931	
34		C062-000182	1	HARNES, SHOULDER			
38		V494-000080	1	CAP			
40		P021-012730	1	BRACKET ASY, HANDLE			
41	+	91118-05025	4	BOLT	CM-5*25		
43		351210-47530	1	HANDLE, REAR			
45		V420-001120	4	CUSHION			
46		P021-014090	1	GRIP ASY, F-HANDLE		Sr/Nr 36022998 and after	

## 11. U-Handle(Sr/Nr 36022998 and after)



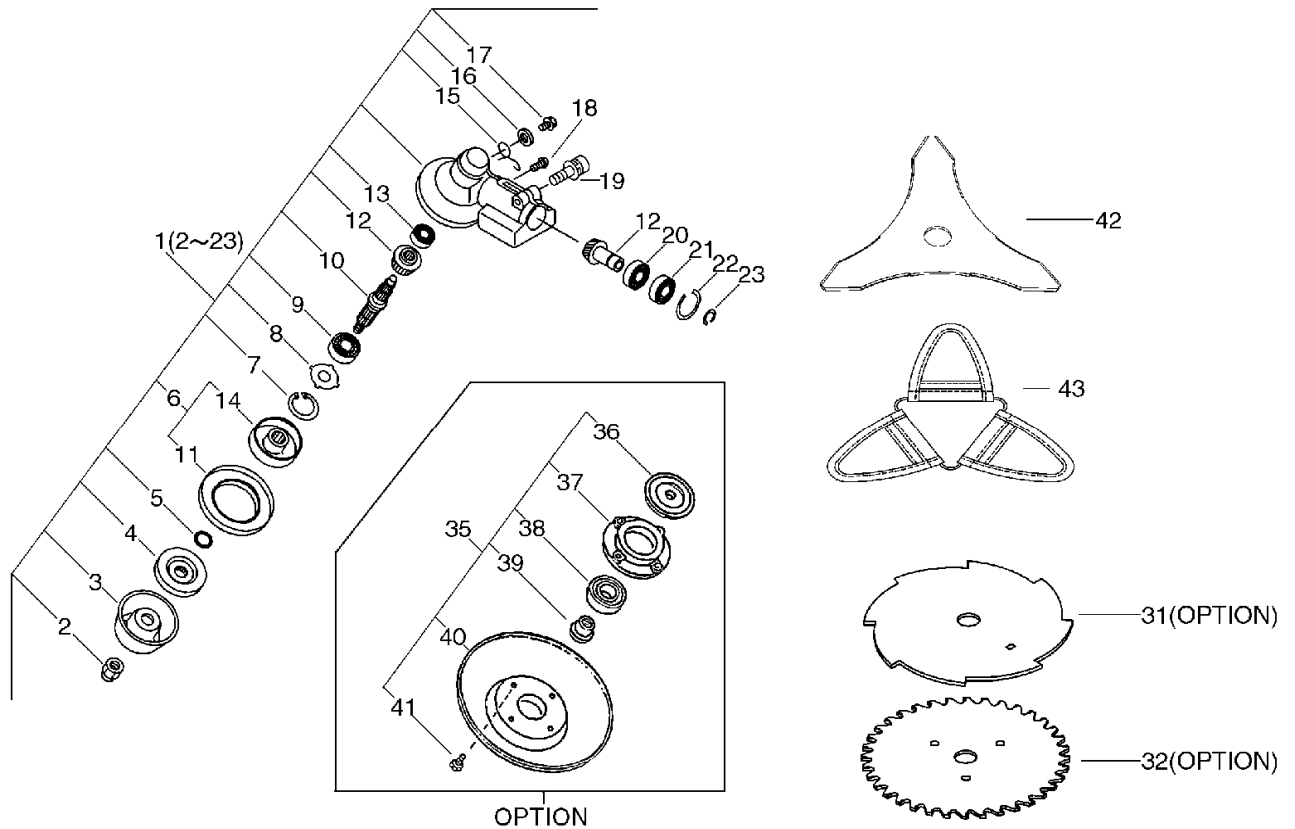
KEY	LV	PART NUMBER	Q'TY	DESCRIPTION	REMARKS	NOTE1	NOTE2
47	+	900256-04016	3	SCREW 4*16	4*16	Sr/Nr 36022998 and after	
48	+	91119-05030	1	BOLT		Sr/Nr 36022998 and after	
49	+	900500-00005	1	NUT 5	5		
50		C460-000110	1	LOCKOUT, THROTTLE		Sr/Nr 36022998 and after	
51		V452-000360	1	SPRING,TORSION		Sr/Nr 36022998 and after	
52		C450-000270	1	CONTROL, THROTTLE		Sr/Nr 36022998 and after	
53		V452-000350	1	SPRING,TORSION		Sr/Nr 36022998 and after	
54		P021-014620	1	SWITCH,ON OFF		Sr/Nr 36022998 and after	
55		C463-000020	1	KNOB, LATCH		Sr/Nr 36022998 and after	
56		V430-002090	1	CABLE,BOWDEN	968+87.5	Sr/Nr 36022998 and after	
57		890152-04930	1	LABEL, CAUTION			

## 12. Gear Case(U-Handle Type), Blade(Sr/Nr 36028517 and befor)



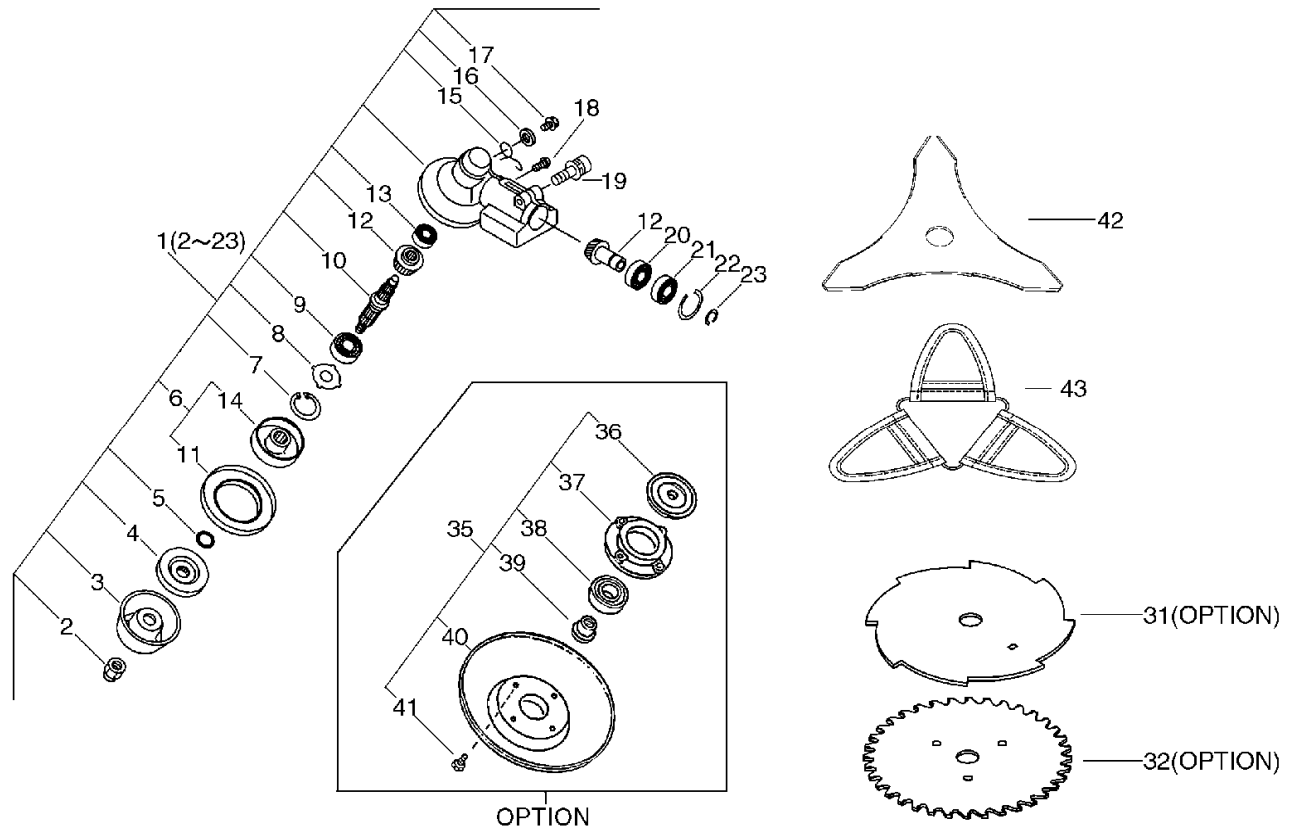
KEY	LV	PART NUMBER	Q'TY	DESCRIPTION	REMARKS	NOTE1	NOTE2
1		610400-56931	1	CASE ASY, GEAR		Sus. by 610400-56932	
1		610400-56932	1	CASE ASY, GEAR		Sus. by P021-012590	
2	+	610320-52130	1	NUT 10			
3	+	699229-56830	1	PLATE, COVER			
4	+	610314-52130	1	PLATE, ADAPTER (L)			
5	+	900720-00012	1	O-RING 12	P-12		
6	+	C535-000000	1	FIXTURE, BLADE		Sus. by C535-000001	
6	+	C535-000001	1	FIXTURE, BLADE			
11	++	610352-56830	1	PLATE, CUP			
14	++	C535-000010	1	FIXTURE, BLADE		Sus. by C535-000011	
14	++	C535-000011	1	FIXTURE, BLADE			
7	+	900702-00032	1	CIRCLIP 32	CR-32		
8	+	610444-56830	1	WASHER			
9	+	900812-06201	1	BEARING, BALL 6201	6201DDU(LLU)		
10	+	610310-56930	1	SHAFT, P.T.O.		Sus. by 610310-56931	
12	+	610300-56930	1	GEAR SET			
13	+	900810-00629	1	BEARING, BALL 629	629		
15	+	610473-52131	1	SPRING			
16	+	900603-50008	1	WASHER	8.5*18*0.8T		
17	+	610434-50030	1	BOLT 8*6		Sus. by 610434-50031	

## 12. Gear Case(U-Handle Type), Blade(Sr/Nr 36028517 and befor)



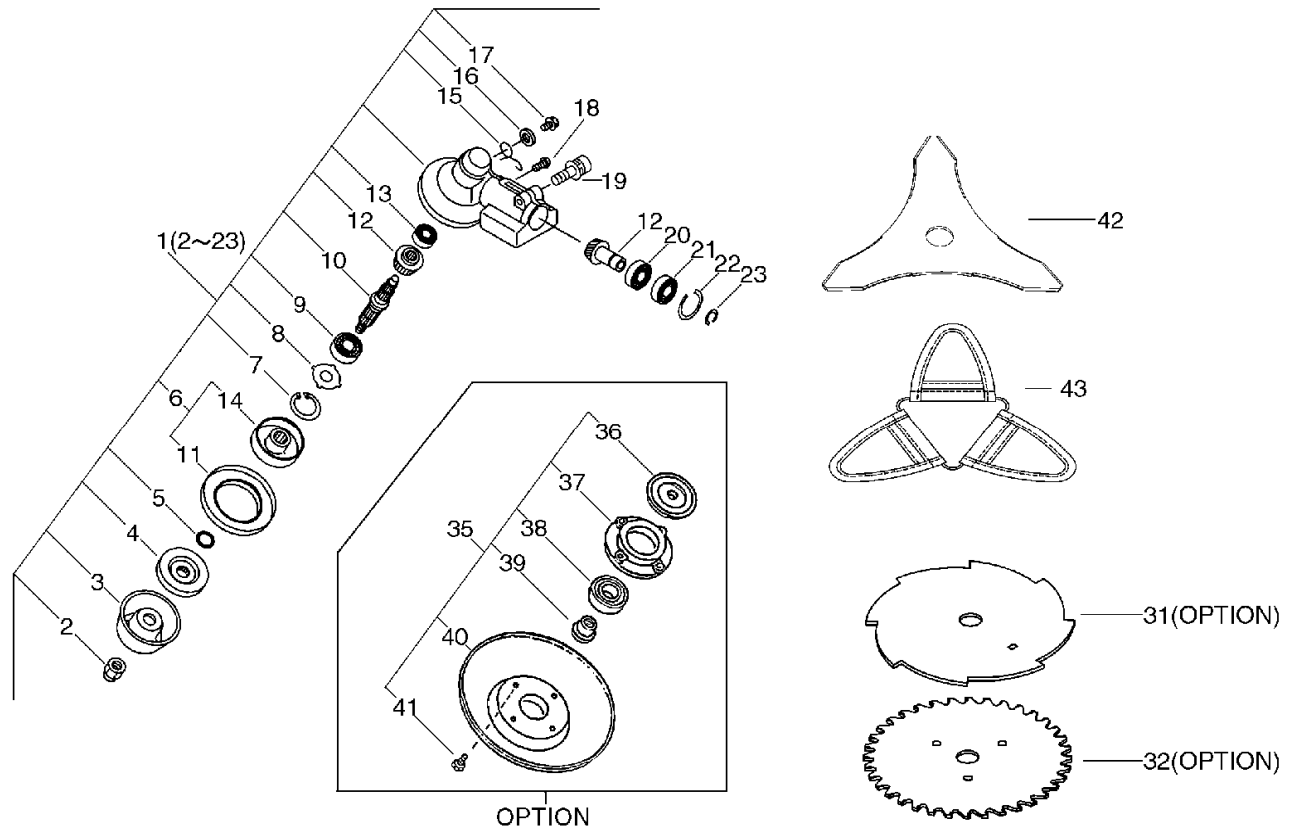
KEY	LV	PART NUMBER	Q'TY	DESCRIPTION	REMARKS	NOTE1	NOTE2
17	+	610434-50031	1	BOLT 8*8	M8*8		
18	+	900242-05010	1	SCREW 5*10	5*10		
19	+	900162-06030	1	BOLT, H.S. 6*30	6*30W, SW	Sus. by 91118-06030	
20	+	900800-06001	1	BEARING, BALL 6001	6001		
21	+	900803-06001	1	BEARING, BALL 6001	6001Z		
22	+	900702-00028	1	CIRCLIP 28	CR-28		
23	+	900701-00012	1	CIRCLIP 12	CS-12		
30		X405-000000	1	SAW,BUSH CUTTER	3*255*25.4*T2.0	Sus. by X405-000001	
30		X405-000001	1	SAW,BUSH CUTTER	3*255*25.4*T2.0	Sr/Nr 36028517 and befor	
33		898503-50030	1	SCABBARD KIT, BLADE		Sus. by P021-007470	
33		P021-007470	1	SCABBARD, BLADE		Sr/Nr 36028517 and befor	
34	+	898562-43230	1	FIXTURE, SCABBARD		Can be used on 898503-50030 only	
31		696001-55630	1	BLADE, 8-CUTTER 10IN		Sus. by 696001-55631	
31		696001-55631	1	BLADE, 8-CUTTER 10IN	255*8T*1.4 PD25	OPTION	
32		695001-55630	1	SAW,CIRCULAR 10*80T		Sus. by 695001-55631	

## 12. Gear Case(U-Handle Type), Blade(Sr/Nr 36028517 and befor)



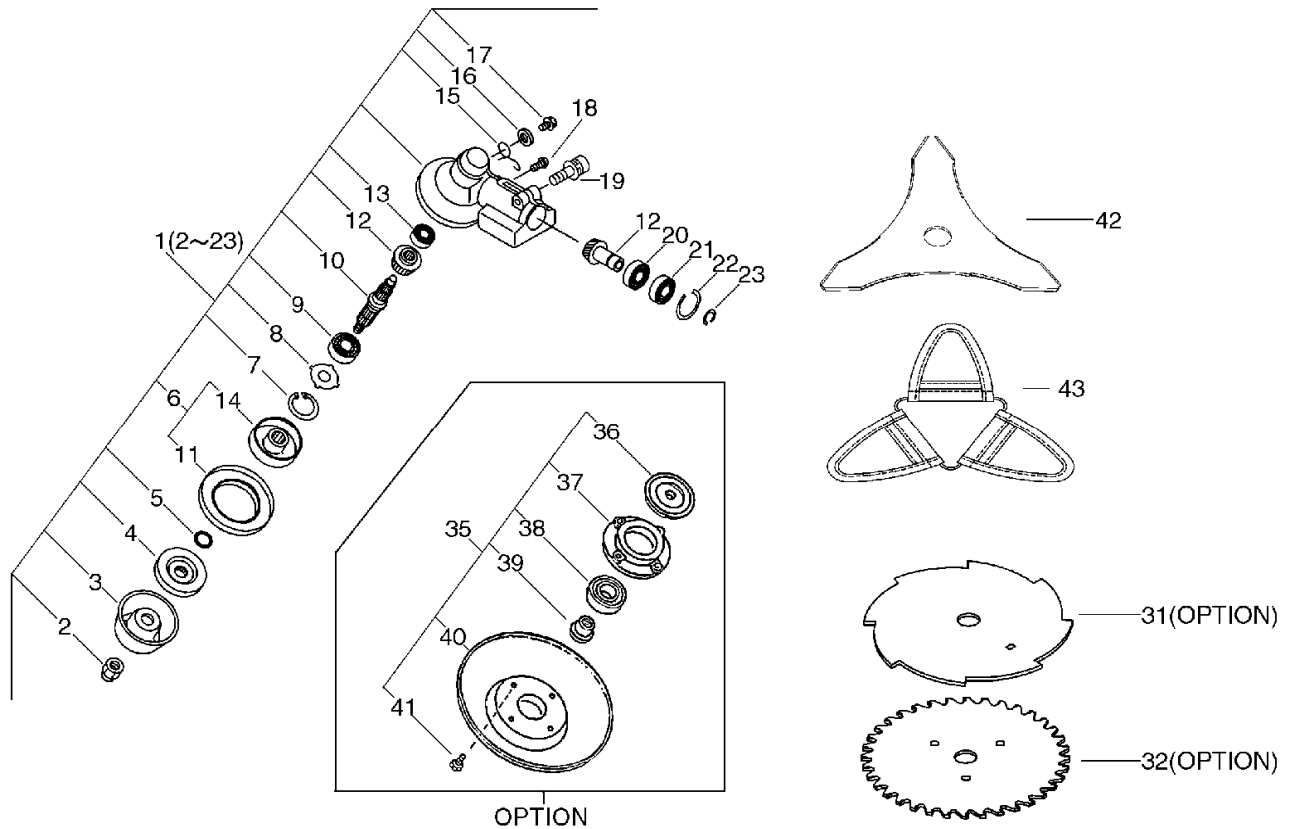
KEY	LV	PART NUMBER	Q'TY	DESCRIPTION	REMARKS	NOTE1	NOTE2
32		695001-55631	1	SAW, CIRCULAR 10*80T	255*80T*1.4 PD25	OPTION	
35		699200-56830	1	CAP ASSY, FREE		OPTION	
36	+	610313-56830	1	PLATE, ADAPTER (U)		OPTION	
37	+	699226-05430	1	HOLDER, BEARING		OPTION	
38	+	900814-06202	1	BEARING, BALL 6202	6202ZZ	OPTION	
39	+	699227-04630	1	NUT		OPTION	
40	+	699228-08930	1	PLATE, COVER		OPTION	
41	+	900141-05012	4	BOLT 5*12	5*12	OPTION	

## 13. Gear Case(U-Handle Type), Blade(Sr/Nr 36028518 and after)



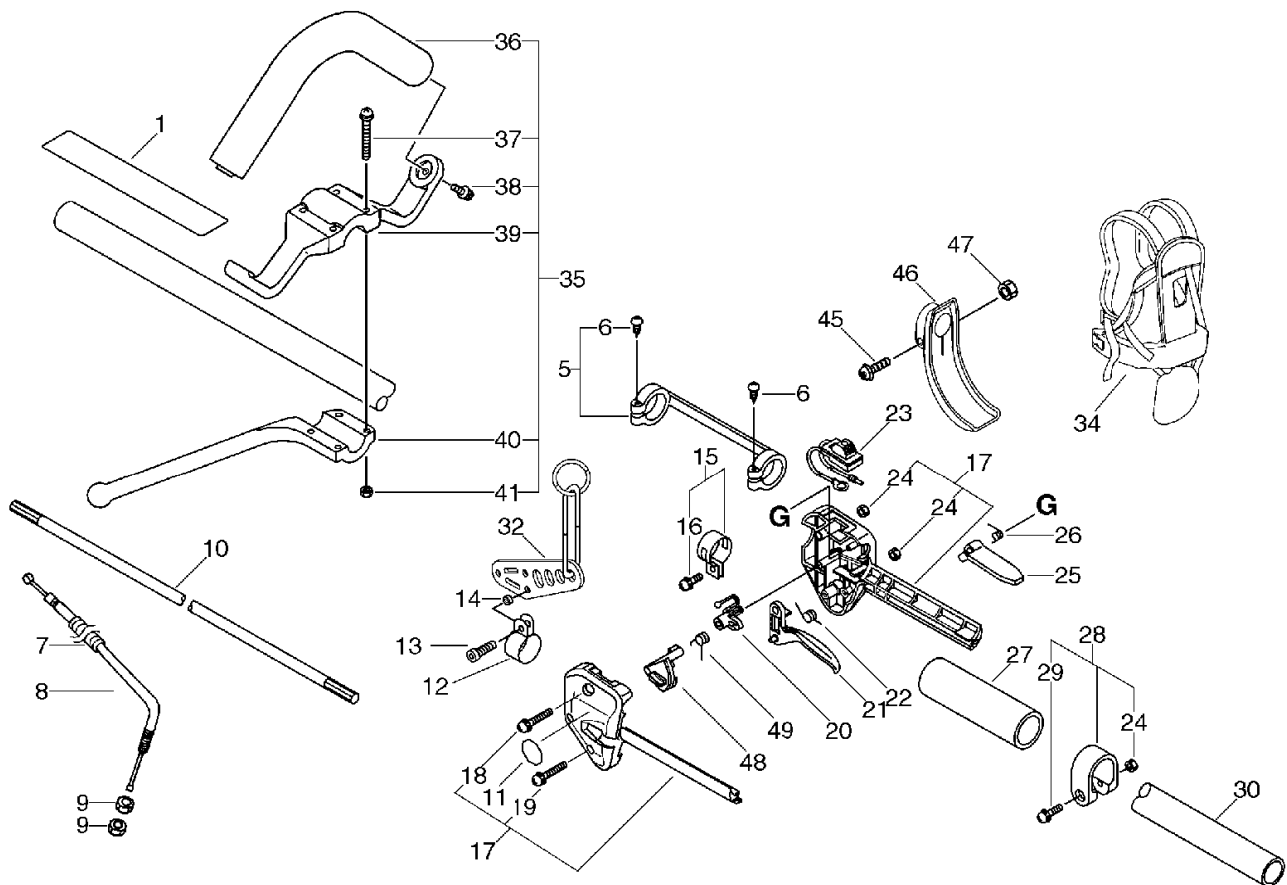
KEY	LV	PART NUMBER	Q'TY	DESCRIPTION	REMARKS	NOTE1	NOTE2
1		P021-012591	1	CASE,GEAR			
2	+	610320-52130	1	NUT 10			
3	+	699229-56830	1	PLATE, COVER			
4	+	610314-52130	1	PLATE, ADAPTER (L)			
5	+	900720-00012	1	O-RING 12	P-12		
6	+	C535-000001	1	FIXTURE, BLADE			
11	++	610352-56830	1	PLATE, CUP			
14	++	C535-000011	1	FIXTURE, BLADE			
7	+	900702-00032	1	CIRCLIP 32	CR-32		
8	+	610444-56830	1	WASHER			
9	+	900812-06201	1	BEARING, BALL 6201	6201DDU(LLU)		
10	+	610310-56931	1	SHAFT, P.T.O.			
12	+	610300-56930	1	GEAR SET			
13	+	900810-00629	1	BEARING, BALL 629	629		
15	+	610473-52131	1	SPRING			
16	+	900603-50008	1	WASHER	8.5*18*0.8T		
17	+	610434-50031	1	BOLT 8*8	M8*8		
18	+	900242-05010	1	SCREW 5*10	5*10		
19	+	91118-06030	1	BOLT	CM-6*30		
20	+	900800-06001	1	BEARING, BALL 6001	6001		
21	+	900803-06001	1	BEARING, BALL 6001	6001Z		
22	+	900702-00028	1	CIRCLIP 28	CR-28		
23	+	900701-00012	1	CIRCLIP 12	CS-12		
31		696001-55631	1	BLADE, 8-CUTTER 10IN	255*8T*1.4 PD25		

## 13. Gear Case(U-Handle Type), Blade(Sr/Nr 36028518 and after)



KEY	LV	PART NUMBER	Q'TY	DESCRIPTION	REMARKS	NOTE1	NOTE2
32		695001-55631	1	SAW, CIRCULAR 10*80T	255*80T*1.4 PD25		
35		699200-56830	1	CAP ASSY, FREE			
36	+	610313-56830	1	PLATE, ADAPTER (U)			
37	+	699226-05430	1	HOLDER, BEARING			
38	+	900814-06202	1	BEARING, BALL 6202	6202ZZ		
39	+	699227-04630	1	NUT			
40	+	699228-08930	1	PLATE, COVER			
41	+	900141-05012	4	BOLT 5*12	5*12		
42		P021-014320	1	SAW,BUSH CUTTER	255*T3.0	Sr/Nr 36028518 and after	
43		X495-000250	1	SCABBARD, BLADE	9"/10" 3 CUTTER	Sr/Nr 36028518 and after	

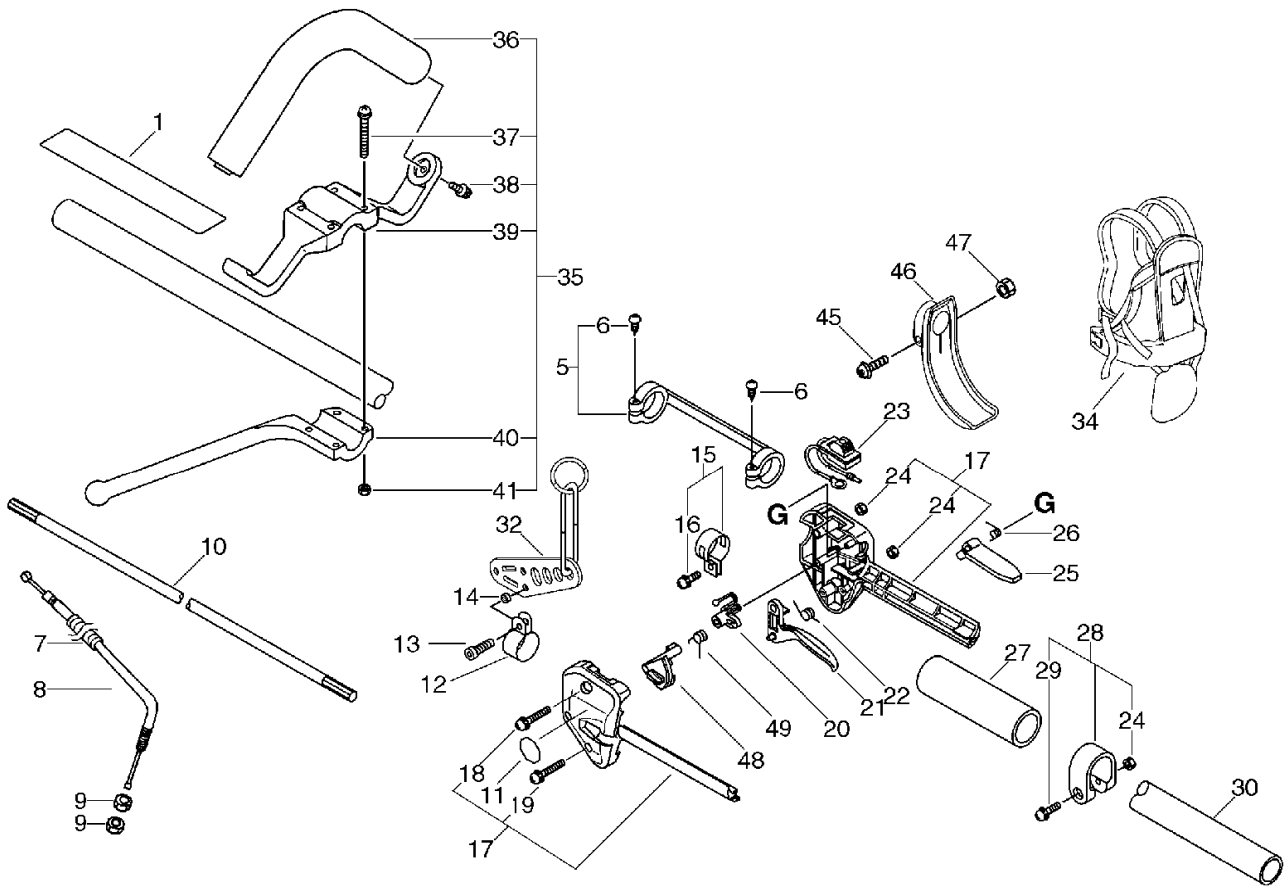
## 14. Loop Handle(Sr/Nr 36003752 and before)



KEY	LV	PART NUMBER	Q'TY	DESCRIPTION	REMARKS	NOTE1	NOTE2
1		X505-000140	1	LABEL,CAUTION			
5		610281-42230	1	COLLER			
6	+	900253-04025	2	SCREW 4*25	4*25		
7		178127-06960	1	TUBE	7*150		
8		V430-000330	1	CABLE,BOWDEN	IN58:LTYPE480		
9		900502-00006	2	NUT 6 (3N)	3N6		
10		610011-49930	1	SHAFT, DRIVE			
11		890157-39130	1	LABEL, SWITCH		Sr/Nr 35008110 and before	
12		301207-07530	2	HOOK			
13		900105-05018	2	BOLT, H.S. 5*18	5*18		
14		V353-000090	2	COLLAR,5			
15		301200-42230	1	HOOK ASSY			
16	+	900242-05014	1	SCREW 5*14	5*14		
17		178003-51830	1	BRACKET SET,THROTTLE		Sr/Nr 35008110 and before	
17		P021-005890	1	BRACKET SET,THROTTLE		Sr/Nr 35008111 and after	
18	+	900242-05035	1	SCREW 5*35	5*35		
19	+	900242-05025	1	SCREW 5*25	5*25		
24	+	900500-00005	2	NUT 5	5		
20		178012-52630	1	LOCKOUT, THROTTLE		Sr/Nr 35008110 and before	
20		178012-52630	1	LOCKOUT, THROTTLE		Sr/Nr 35008111 and after	

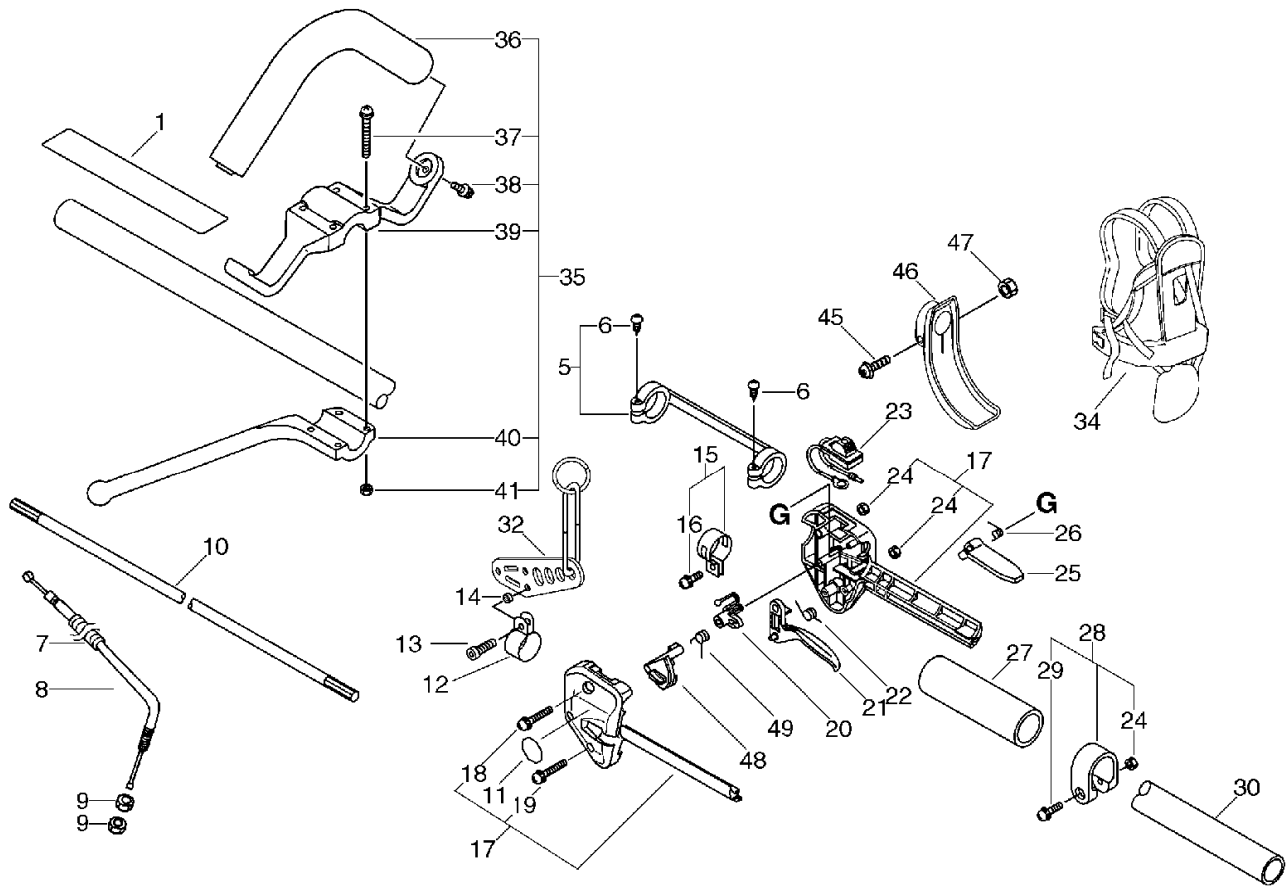


## 14. Loop Handle(Sr/Nr 36003752 and before)



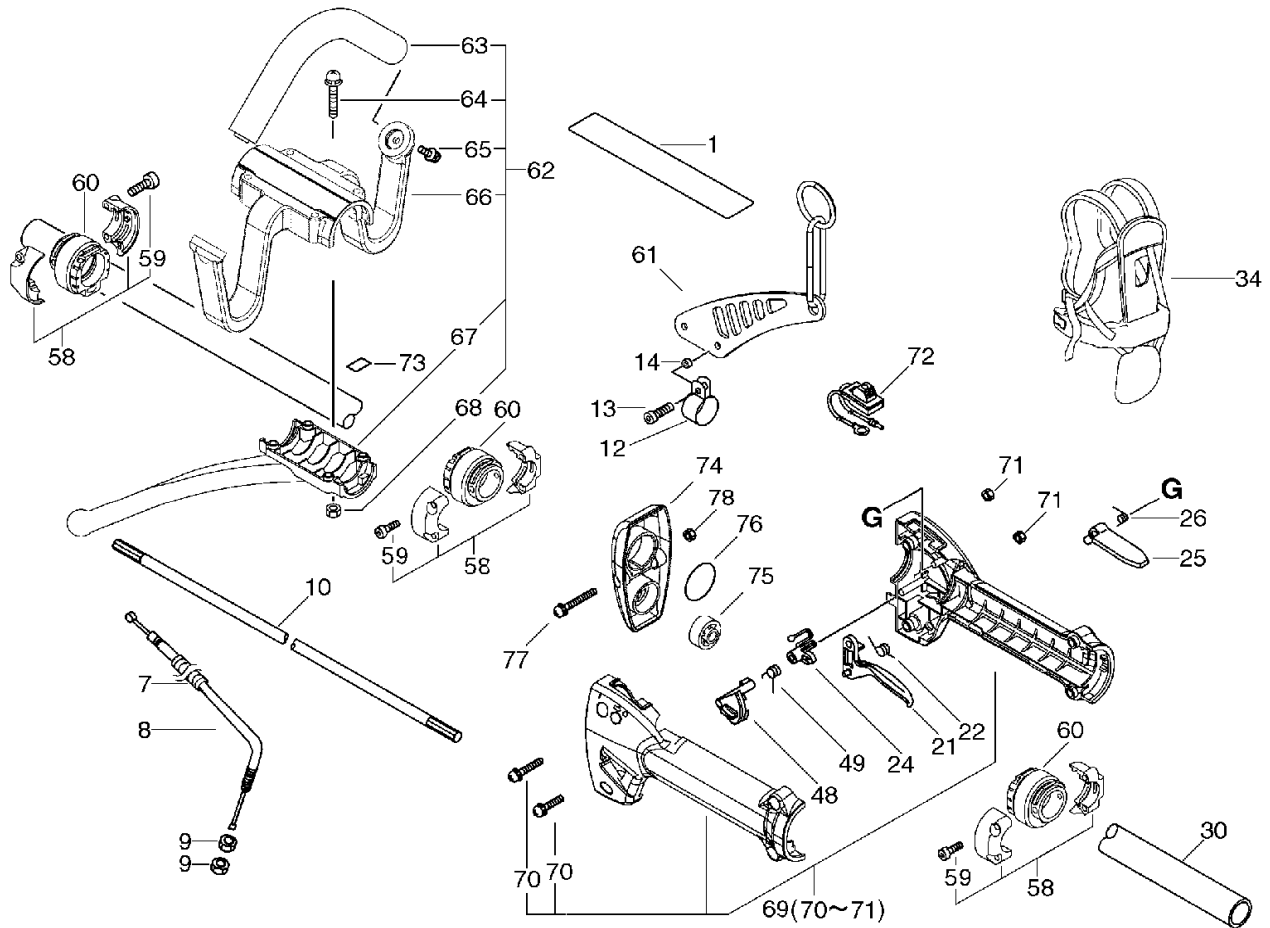
KEY	LV	PART NUMBER	Q'TY	DESCRIPTION	REMARKS	NOTE1	NOTE2
21		178010-52130	1	CONTROL, THROTTLE		Sr/Nr 35008110 and before	
21		C450-000110	1	TRIGGER, THROTTLE		Sr/Nr 35008111 and after	
22		178043-42230	1	SPRING, THR. RETURN			
23		A440-000230	1	SWITCH, ON OFF			
25		178090-52630	1	LOCKOUT, T. CONTROL		Sus. by 178090- 52632	
25		178090-52631	1	LOCKOUT, T. CONTROL		Sus. by 178090- 52632	
25		178090-52632	1	LOCKOUT, T. CONTROL			
26		178013-52630	1	SPRING, THR. LOCK			
27		351213-51830	1	GRIP, FRONT HANDLE			
28		610272-51830	1	BAND			
24	+	900500-00005	1	NUT 5	5		
29	+	900242-05028	1	SCREW 5*28	5*28		
30		C050-000050	1	PIPE, MAIN			
32		C624-000000	1	HANGER, HARNESS			
34		301001-56831	1	HARNESS ASY, SHOULDER		Sus. by C062- 000181	
34		C062-000180	1	HARNESS, SHOULDER	ECHO	Sus. by C062- 000181	
34		C062-000181	1	HARNESS, SHOULDER			
35		351201-50430	1	HANDLE ASSY, LOOP			
36	+	351205-07130	1	HANDLE			
37	+	900242-05035	4	SCREW 5*35	5*35		

## 14. Loop Handle(Sr/Nr 36003752 and before)



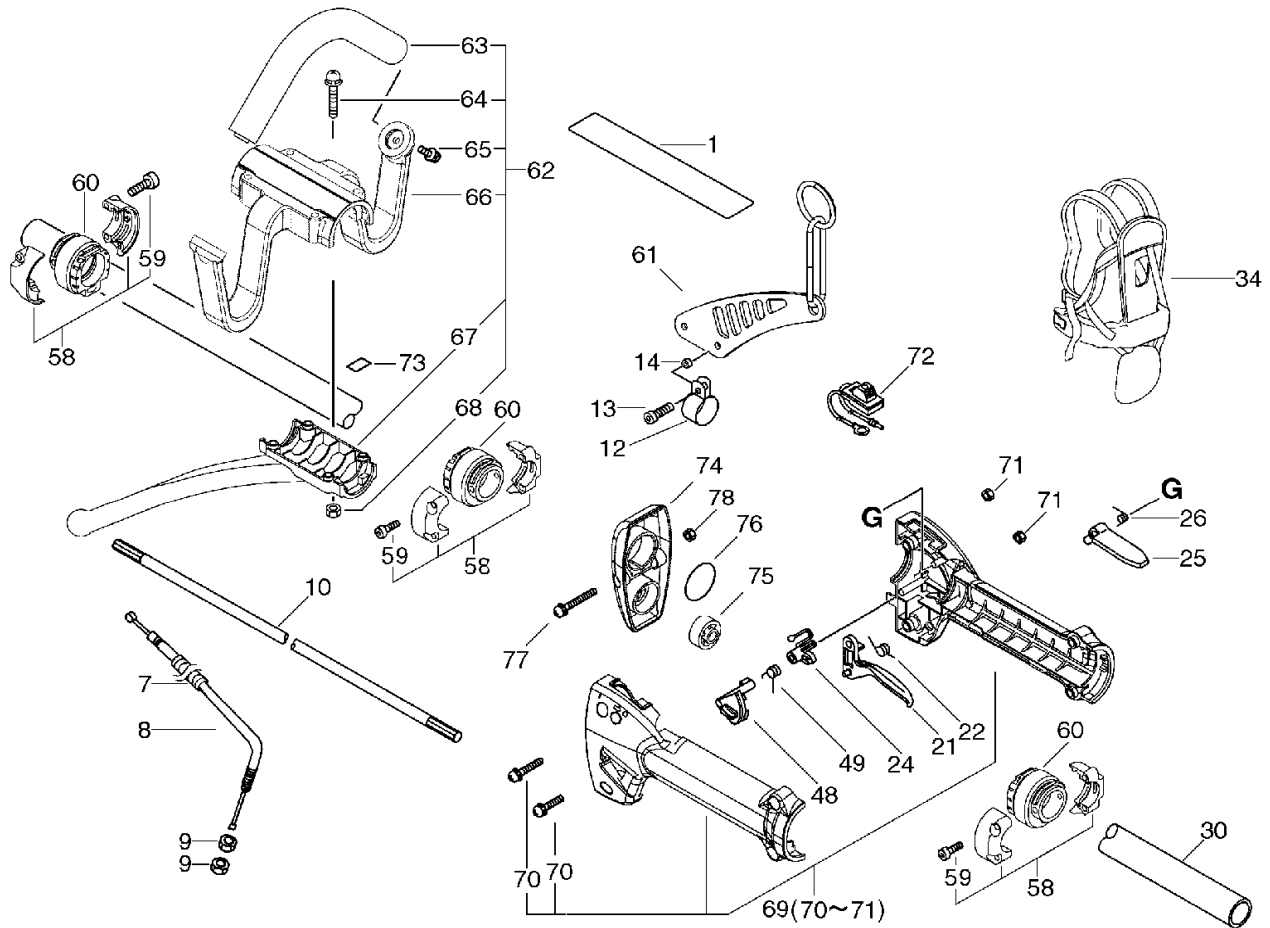
KEY	LV	PART NUMBER	Q'TY	DESCRIPTION	REMARKS	NOTE1	NOTE2
38	+	900242-05014	2	SCREW 5*14	5*14		
39	+	351232-07130	1	BRACKET, HANDLE 28			
40	+	351643-55630	1	BRACKET, HANDLE			
41	+	900500-00005	4	NUT 5	5		
45		900242-05025	1	SCREW 5*25	5*25		
46		A248-000000	1	GUARD,LEVER			
47		900500-00005	1	NUT 5	5		
48		C461-000010	1	LATCH,THROTTLE		Sr/Nr 35008111 and after	
49		V452-000120	1	SPRING,TORSION		Sr/Nr 35008111 and after	

## 15. Loop Handle(Sr/Nr 36003753 to 36022897)



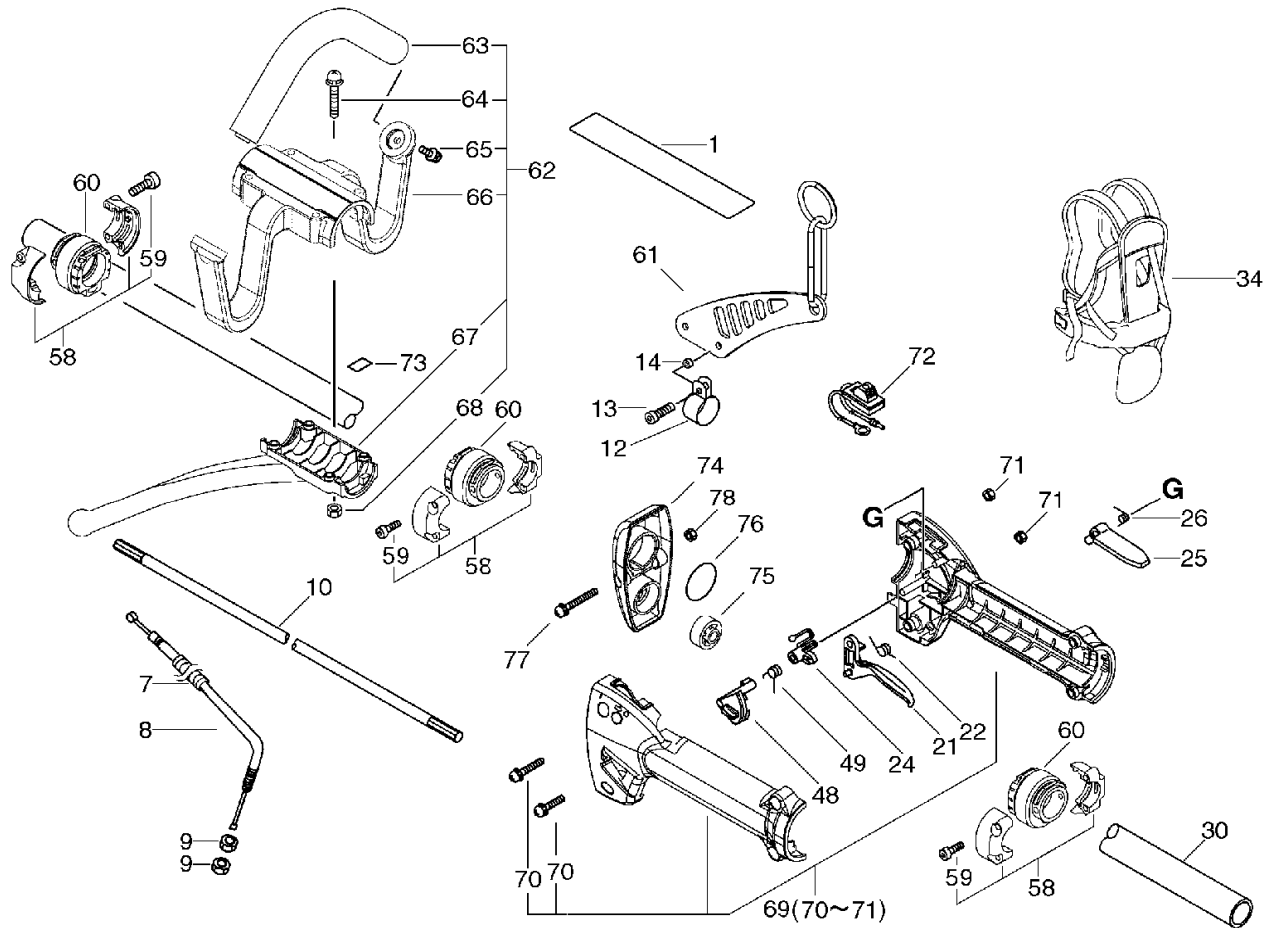
KEY	LV	PART NUMBER	Q'TY	DESCRIPTION	REMARKS	NOTE1	NOTE2
1		X505-000140	1	LABEL,CAUTION			
7		V475-003580	1	TUBE	7*170		
8		V430-001460	1	CABLE,BOWDEN			
9		900502-00006	2	NUT 6 (3N)	3N6		
10		610011-49930	1	SHAFT, DRIVE		Sus. by 610011-49931	
12		301207-07530	2	HOOK			
13		900105-05018	2	BOLT, H.S. 5*18	5*18	Sus. by 91118-05025	
14		V353-000090	2	COLLAR,5			
17		P021-007990	1	BRACKET SET,THROTTLE		Sr/Nr 36003753 to 36022897	
18	+	900242-05035	1	SCREW 5*35	5*35	Sr/Nr 36003753 to 36022897	
19	+	900242-05025	3	SCREW 5*25	5*25	Sr/Nr 36003753 to 36022897	
20	+	900500-00005	4	NUT 5	5		
21		C450-000110	1	TRIGGER,THROTTLE			
22		V452-000200	1	SPRING,TORSION			
23		A440-000600	1	SWITCH,ON OFF		Sr/Nr 36003753 to 36022897	
24		C461-000000	1	LATCH,THROTTLE			

## 15. Loop Handle(Sr/Nr 36003753 to 36022897)



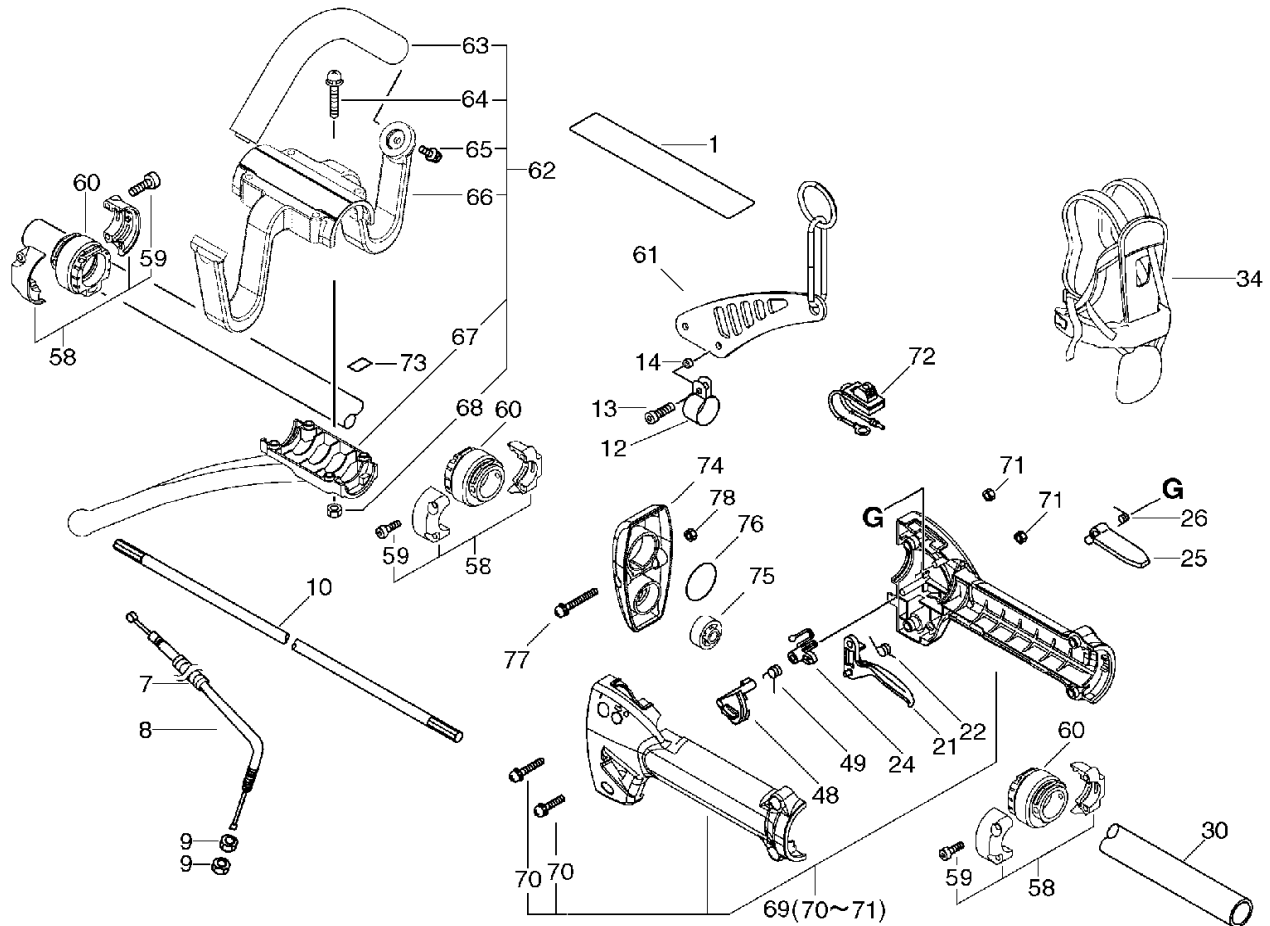
KEY	LV	PART NUMBER	Q'TY	DESCRIPTION	REMARKS	NOTE1	NOTE2
25		178090-52631	1	LOCKOUT, T. CONTROL		Sus. by 178090-52632	
25		178090-52632	1	LOCKOUT, T. CONTROL			
26		178013-52630	1	SPRING, THR. LOCK			
30		C050-000050	1	PIPE,MAIN		Sus. by C050-000880	
32		C624-000020	1	HANGER,HARNESS		Sr/Nr 36003753 to 36022897	
34		C062-000180	1	HARNESS,SHOULDER	ECHO	Sus. by C062-000181	
34		C062-000181	1	HARNESS,SHOULDER		Sus. by C062-000182	
48		C461-000010	1	LATCH,THROTTLE			
49		V452-000120	1	SPRING,TORSION			
50		P021-009200	1	HANDLE ASY, LOOP		Sus. by P021-009201	
50		P021-009201	1	HANDLE ASY, LOOP		Sr/Nr 36003753 to 36022897	
51	+	351205-07130	1	HANDLE			
52	+	900242-05035	4	SCREW 5*35	5*35		
53	+	900242-05014	2	SCREW 5*14	5*14		
54	+	C405-000150	1	BRACKET,HANDLE		Sr/Nr 36003753 to 36022897	

## 15. Loop Handle(Sr/Nr 36003753 to 36022897)



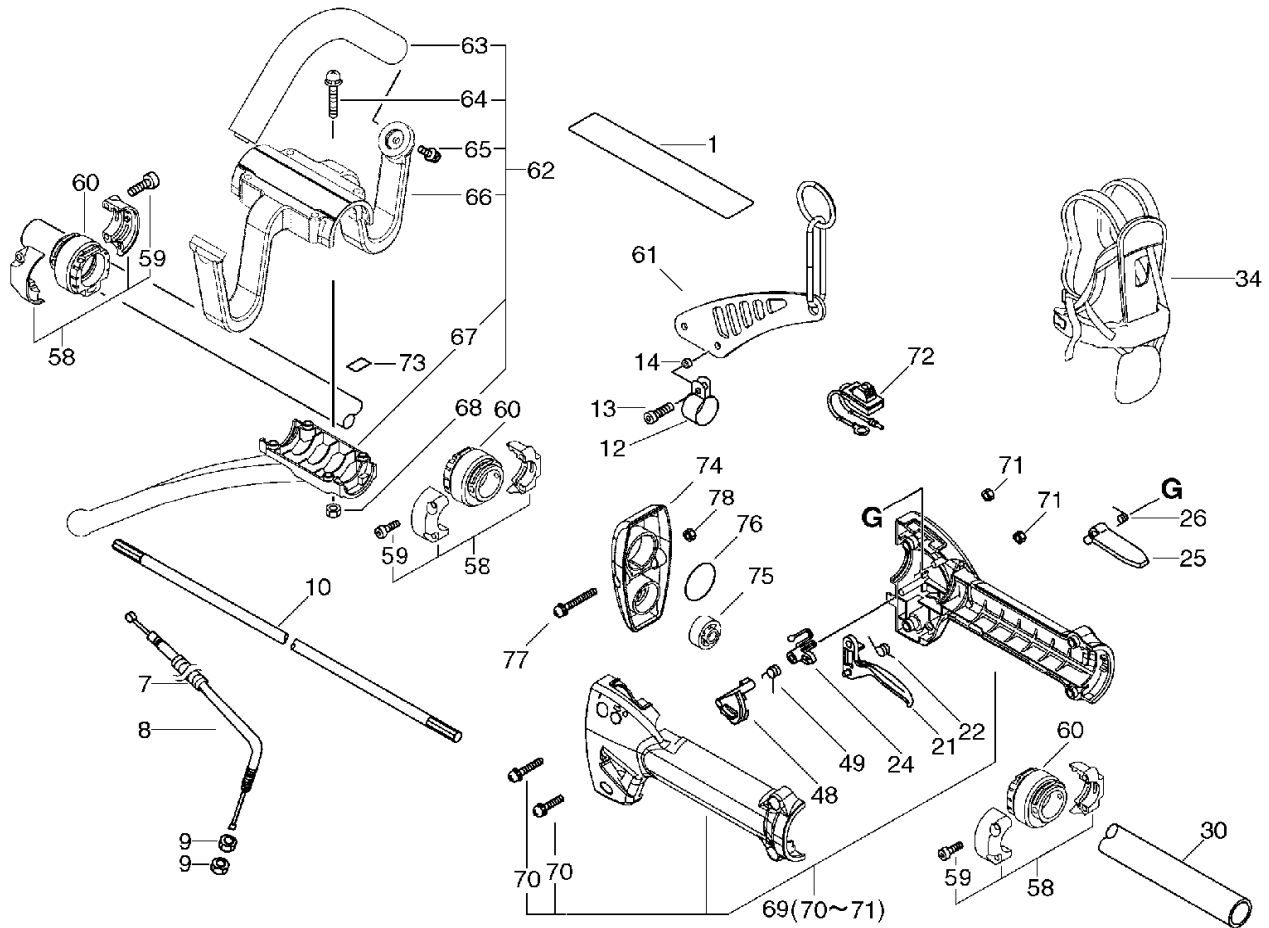
KEY	LV	PART NUMBER	Q'TY	DESCRIPTION	REMARKS	NOTE1	NOTE2
55	+	C405-000160	1	BRACKET,HANDLE			
56	+	900500-00005	4	NUT 5	5		
58		P021-008000	4	FIXTURE,ASY HANDLE		Sus. by P021-012640	
59	+	900162-05025	8	BOLT, H.S. 5*25	5*25 W,SW	Sus. by 91118-05025	
60		V420-001061	4	CUSHION		Qty 4->3	

## 16. Loop Handle(Sr/Nr 3602289 and after)



KEY	LV	PART NUMBER	Q'TY	DESCRIPTION	REMARKS	NOTE1	NOTE2
1		X505-000140	1	LABEL, CAUTION			
7		V475-003580	1	TUBE	7*170		
8		V430-001460	1	CABLE, BOWDEN			
9		900502-00006	2	NUT 6 (3N)	3N6		
10		610011-49930	1	SHAFT, DRIVE		Sus. by 610011-49931	
12		301207-07530	2	HOOK			
14		V353-000090	2	COLLAR, 5			
21		C450-000110	1	TRIGGER, THROTTLE			
22		V452-000200	1	SPRING, TORSION			
24		C461-000000	1	LATCH, THROTTLE			
25		178090-52632	1	LOCKOUT, T. CONTROL			
26		178013-52630	1	SPRING, THR. LOCK			
30		C050-000880	1	PIPE, MAIN	T2.0*28		
32		C624-000020	1	HANGER, HARNESS			
34		C062-000182	1	HARNESS, SHOULDER			
48		C461-000010	1	LATCH, THROTTLE			
49		V452-000120	1	SPRING, TORSION			
58		P021-012640	3	BRACKET ASM., HANDLE			
59	+	91118-05025	6	BOLT	CM-5*25		
60		V420-001061	3	CUSHION			
61		C624-000040	1	HANGER, HARNESS		Sr/Nr 3602289 and after	
62		P021-009202	1	HANDLE ASY, LOOP		Sr/Nr 3602289 and after	
63	+	351205-07130	1	HANDLE			

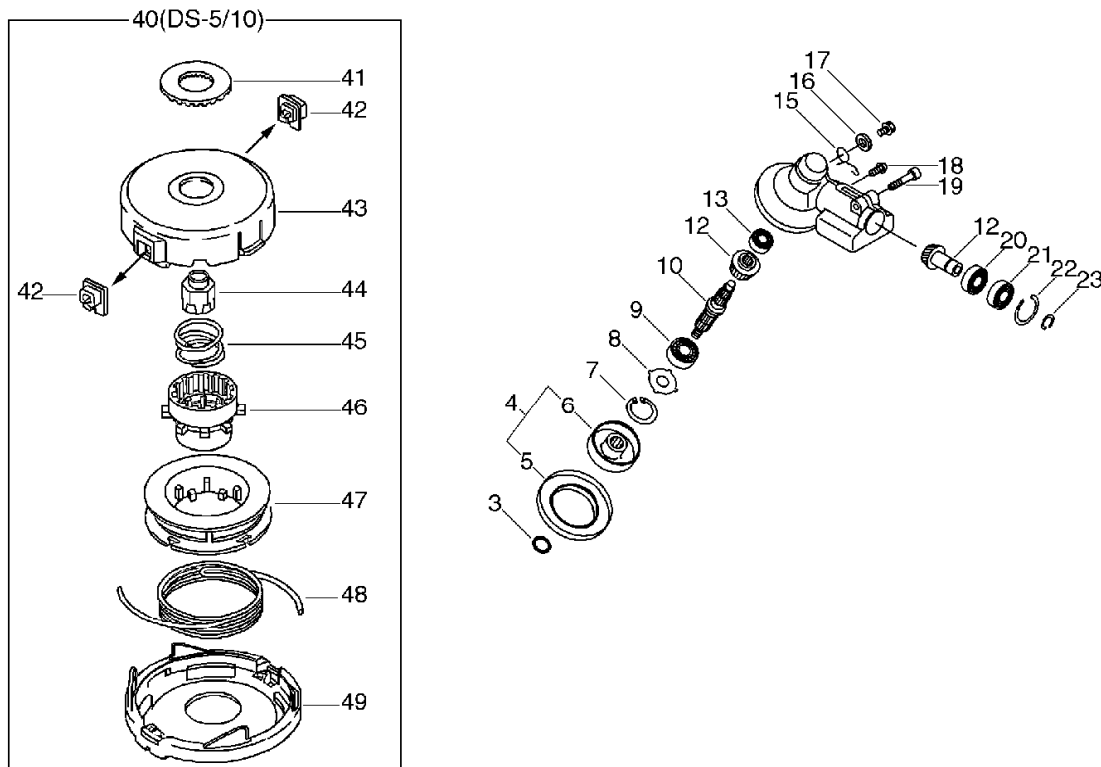
## 16. Loop Handle(Sr/Nr 3602289 and after)



KEY	LV	PART NUMBER	Q'TY	DESCRIPTION	REMARKS	NOTE1	NOTE2
64	+	900242-05035	4	SCREW 5*35	5*35		
65	+	900242-05014	2	SCREW 5*14	5*14		
66	+	C405-000270	1	BRACKET,HANDLE		Sr/Nr 3602289 and after	
67	+	C405-000160	1	BRACKET,HANDLE			
68	+	900500-00005	4	NUT 5	5		
69		P021-014170	1	BRACKET SET,THROTTLE		Sr/Nr 3602289 and after	
70	+	900238-05022	4	SCREW 5*22	5*22	Sr/Nr 3602289 and after	
71	+	900500-00005	4	NUT 5	5		
72		A440-001080	1	SWITCH, ON OFF	LA105:CA104	Sr/Nr 3602289 and after	
73		890152-04930	1	LABEL, CAUTION		Sr/Nr 3602289 and after	
74		C423-000340	1	FIXTURE, HANDLE	28	Sr/Nr 3602289 and after	
75		V420-001720	1	CUSHION		Sr/Nr 3602289 and after	
76		900720-00032	1	O-RING 32	P-32	Sr/Nr 3602289 and after	
77		900238-05040	1	SCREW 5*40	5*40	Sr/Nr 3602289 and after	
78		900500-00005	1	NUT 5	5	Sr/Nr 3602289 and after	



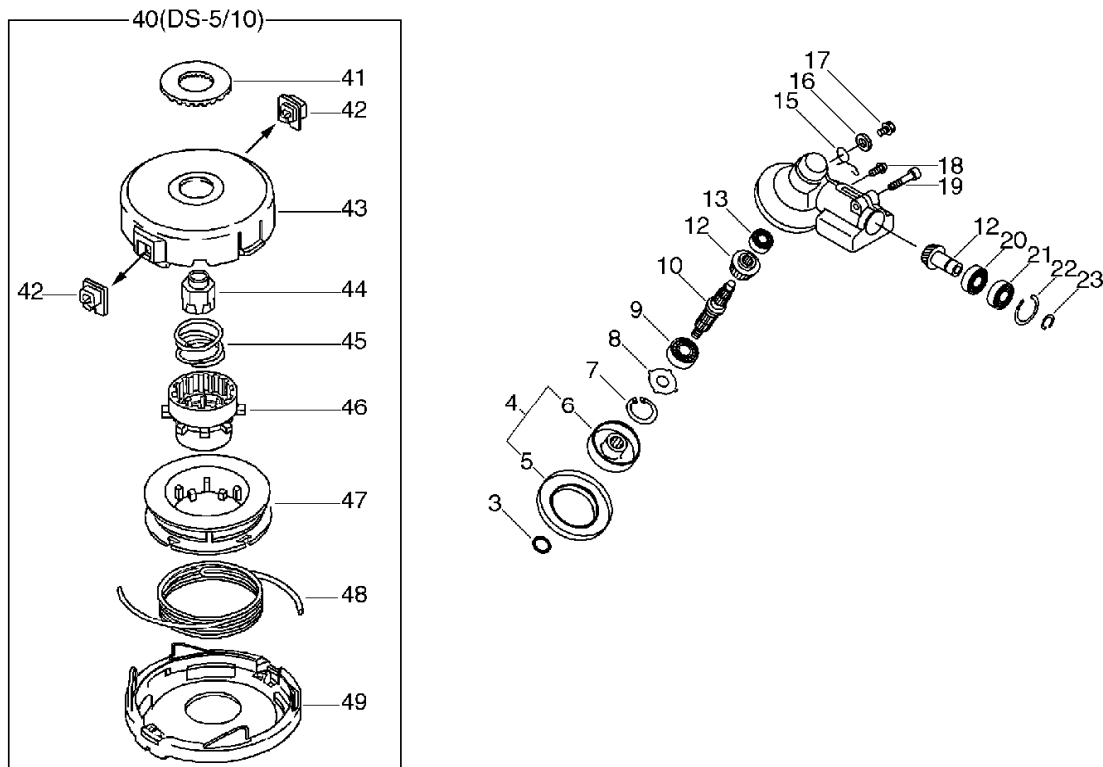
## 17. Gear Case(Loop Handle Type), Nylon Line Cutting Head



KEY	LV	PART NUMBER	Q'TY	DESCRIPTION	REMARKS	NOTE1	NOTE2
3		900720-00012	1	O-RING 12	P-12		
4		C535-000000	1	FIXTURE, BLADE		Sus. by C535-000001	
4		C535-000001	1	FIXTURE, BLADE			
5	+	610352-56830	1	PLATE, CUP			
6	+	C535-000010	1	FIXTURE, BLADE		Sus. by C535-000011	
6	+	C535-000011	1	FIXTURE, BLADE			
7		900702-00032	1	CIRCLIP 32	CR-32		
8		610444-56830	1	WASHER			
9		900812-06201	1	BEARING, BALL 6201	6201DDU(LLU)		
10		610310-56930	1	SHAFT, P.T.O.			
12		610300-56930	1	GEAR SET			
13		900810-00629	1	BEARING, BALL 629	629		
15		610473-52131	1	SPRING			
16		900603-50008	1	WASHER	8.5*18*0.8T		
17		610434-50030	1	BOLT 8*6		Sus. by 610434-50031	
17		610434-50031	1	BOLT 8*8	M8*8		
18		900242-05010	1	SCREW 5*10	5*10		
19		900162-06030	1	BOLT, H.S. 6*30	6*30W, SW	Sus. by 91118-06030	
20		900800-06001	1	BEARING, BALL 6001	6001		
21		900803-06001	1	BEARING, BALL 6001	6001Z		
22		900702-00028	1	CIRCLIP 28	CR-28		
23		900701-00012	1	CIRCLIP 12	CS-12		

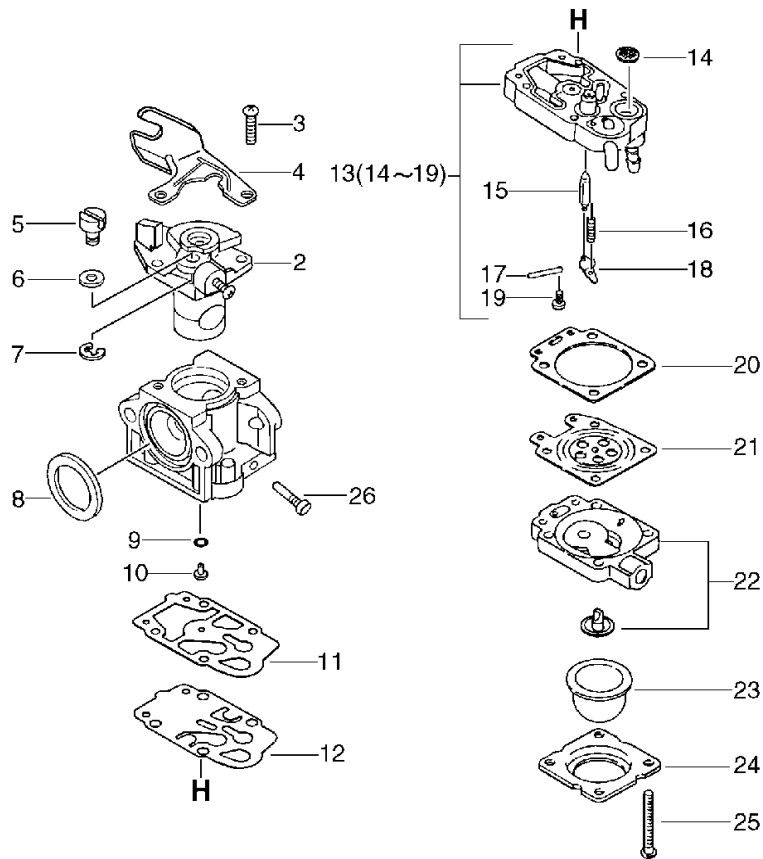


## 17. Gear Case(Loop Handle Type), Nylon Line Cutting Head



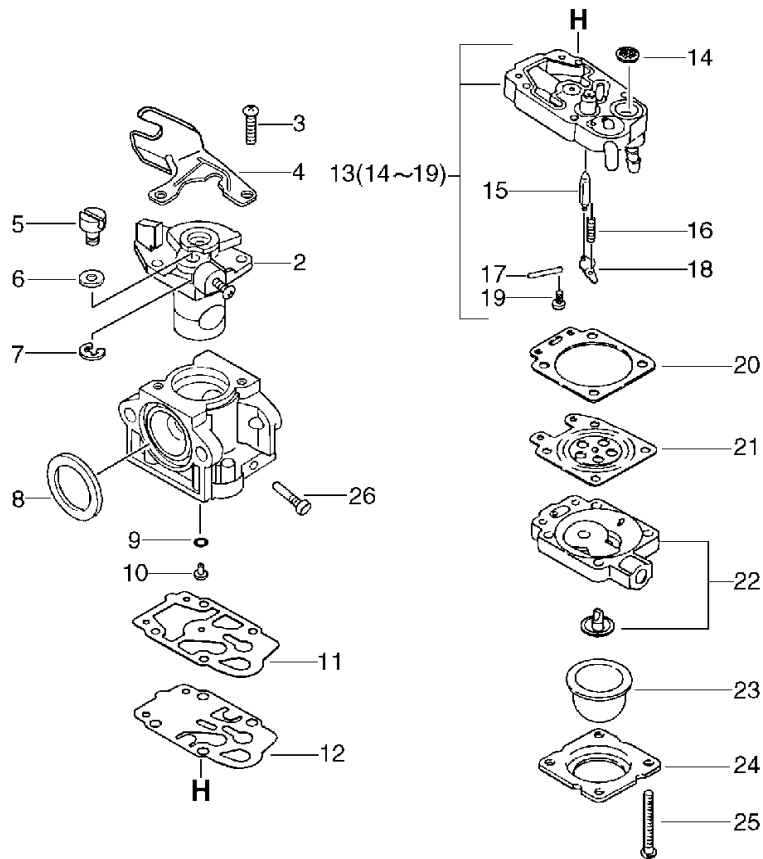
KEY	LV	PART NUMBER	Q'TY	DESCRIPTION	REMARKS	NOTE1	NOTE2
40		X047-000070	1	CUTTER,ASM LINE	DS-5/10	Sus. by X047-000220	
40		X047-000220	1	CUTTER,ASM LINE	DS-5 M10L	DS-5/10	
41	+	V332-000000	1	WASHER,CIRCULAR 24			
42	+	P022-000710	2	EYELET	T4		
43	+	X470-000000	1	DRUM,REEL		Sus. by P022-005040	
43	+	P022-005040	1	HOUSING			
44	+	P022-001160	1	NUT			
45	+	P022-001200	1	SPRING	DS-5/10		
46	+	P022-001310	1	TAP KNOB	DS-5/10	Sus. by P022-019450	
46	+	P022-019450	1	TAP KNOB			
47	+	P022-001180	1	BOBBIN	DS-5/10		
48	+	P022-000730	1	NYLON CODE	2.4*3M B4-K	Sus. by P022-006200	
48	+	P022-006200	1	NYLON CODE	3.0*3M		
49	+	P022-001190	1	COVER	DS-5/10	Sus. by P022-005030	
49	+	P022-005030	1	COVER			

## 18. Carburetor(Sr/Nr 36006992 and before)



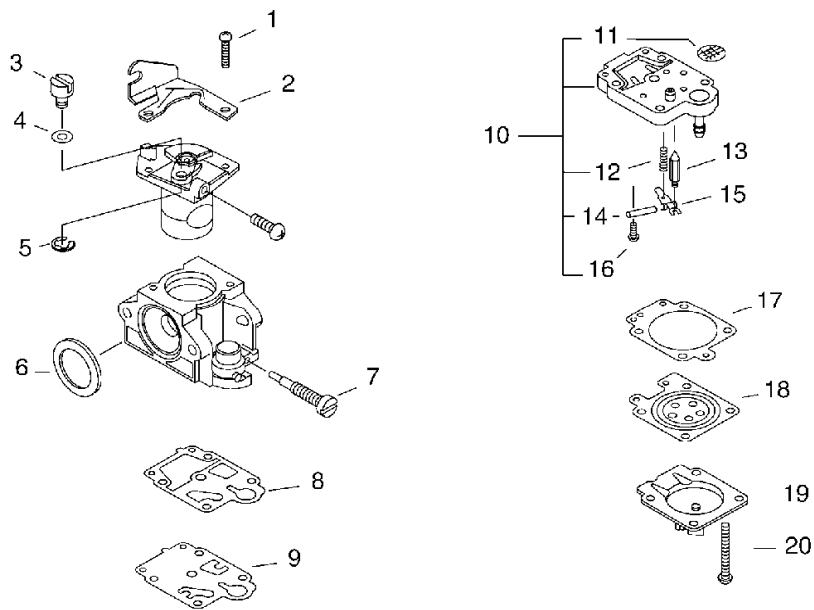
KEY	LV	PART NUMBER	Q'TY	DESCRIPTION	REMARKS	NOTE1	NOTE2
		A021-000340	1	CARBURETOR,DIAPHRAGM		Sus. by A021-000341	
		A021-000341	1	CARBURETOR,DIAPHRAGM	WYK-158A	Sr/Nr 35999999 and before	
		A021-000591	1	CARBURETOR,DIAPHRAGM	WYK-173A	Sus. by A021-001030	
		A021-001030	1	CARBURETOR,DIAPHRAGM	WYK-216	Sr/Nr 36000001 and after	
2	+	P003-000710	1	VALVE ASY THROTTLE		Sr/Nr 35999999 and before	
3	+	123114-40630	2	SCREW			
4	+	P003-000180	1	BRACKET CABLE			
5	+	123172-45130	1	SWIVEL			
6	+	123149-54230	1	WASHER			
7	+	123173-07930	1	CLIP			
8	+	123143-12110	1	RING, PACKING			
9	+	123183-40630	1	O-RING		Sr/Nr 36001840 and before	
10	+	P003-000700	1	JET		Sr/Nr 35999999 and before	
10	+	P003-000980	1	JET		Sr/Nr 36000001 to 36001840	
11	+	123125-40630	1	GASKET, PUMP		Sr/Nr 35999999 and before	

## 18. Carburetor(Sr/Nr 36006992 and before)



KEY	LV	PART NUMBER	Q'TY	DESCRIPTION	REMARKS	NOTE1	NOTE2
11	+	P003-000100	1	GASKET, PUMP		Sr/Nr 36000001 and after	
12	+	123112-40630	1	DIAPHRAGM, PUMP			
13	+	P003-000510	1	BODY ASSEMBLY, PUMP			
14	++	123126-10631	1	SCREEN, INLET			
15	++	123137-19830	1	VALVE, INLET NEEDLE			
16	++	123122-05560	1	SPRING, METER. LEVER			
17	++	123138-03930	1	PIN, METERING LEVER			
18	++	123123-03930	1	LEVER, METERING			
19	++	123139-05560	1	SCREW, M. LEVER PIN			
20	+	123140-05560	1	GASKET, M. DIAPHRAGM			
21	+	P003-000090	1	METERING, DIAPHRAGM			
22	+	123180-05560	1	BODY, AIR PURGE			
23	+	123181-40630	1	PUMP, PRIMER			
24	+	123142-05560	1	COVER, PRIMER PUMP			
25	+	123110-05560	4	SCREW, PUMP COVER			
26	+	P003-001130	1	NEEDLE, HIGH SPEED		Sr/Nr 36001841 and after	

## 19. Carburetor(Sr/Nr 36006993 and after)



KEY	LV	PART NUMBER	Q'TY	DESCRIPTION	REMARKS	NOTE1	NOTE2
		A021-001160	1	CARBURETOR,DIAPHRAGM	WYK-227		
1	+	123114-40630	2	SCREW			
2	+	P003-000180	1	BRACKET CABLE			
3	+	123172-45130	1	SWIVEL			
4	+	123149-54230	1	WASHER			
5	+	123173-07930	1	CLIP			
6	+	123143-12110	1	RING, PACKING			
7	+	P003-001130	1	NEEDLE, HIGH SPEED			
8	+	P003-000100	1	GASKET, PUMP			
9	+	123112-40630	1	DIAPHRAGM, PUMP			
10	+	P003-001490	1	BODY ASSEMBLY, PUMP			
11	++	123126-10631	1	SCREEN, INLET			
12	++	123122-05560	1	SPRING, METER. LEVER			
13	++	123137-19830	1	VALVE, INLET NEEDLE			
14	++	123138-03930	1	PIN, METERING LEVER			
15	++	123123-03930	1	LEVER, METERING			
16	++	123139-05560	1	SCREW, M. LEVER PIN			
17	+	123140-27230	1	GASKET,M. DIAPHRAGM			
18	+	P003-000090	1	METERING, DIAPHRAGM			
19	+	P003-001500	1	COVER, PRIMER PUMP			
20	+	123144-44330	4	SCREW			

**Index**

<b>Patrs Number</b>	<b>Key No.</b>	<b>Patrs Number</b>	<b>Key No.</b>	<b>Patrs Number</b>	<b>Key No.</b>
100012-12331	1 - 13	132012-02960	6 - 24	301210-04630	10 - 18
100012-12331	1 - 13	132012-39330	4 - 27	301210-04630	11 - 18
100012-12331	1 - 13	132012-39331	5 - 27	301210-04630	9 - 18
100015-00120	1 - 12	132013-26630	6 - 23	351010-52931	9 - 29
100213-00310	1 - 22	132013-26630	6 - 26	351201-50430	14 - 35
100213-05530	1 - 17	132115-55930	6 - 25	351202-51430	9 - 26
100215-03930	1 - 21	156114-04920	2 - 6	351205-07130	14 - 36
101113-37530	1 - 6	159017-31730	2 - 3	351205-07130	15 - 51
123110-05560	18 - 25	159025-37530	1 - 8	351205-07130	16 - 63
123112-40630	18 - 12	159112-09960	9 - 13	351210-47530	10 - 43
123112-40630	19 - 9	162010-55630	2 - 8	351210-47530	11 - 43
123114-40630	18 - 3	175048-03920	2 - 14	351213-47531	10 - 30
123114-40630	19 - 1	175049-03920	2 - 16	351213-47531	11 - 30
123122-05560	18 - 16	177218-40630	3 - 23	351213-51830	14 - 27
123122-05560	19 - 12	177220-06310	3 - 29	351214-52931	9 - 25
123123-03930	18 - 18	177226-06310	3 - 30	351232-07130	14 - 39
123123-03930	19 - 15	177227-42030	3 - 31	351302-47530	10 - 40
123125-40630	18 - 11	177228-27030	3 - 32	351643-55630	14 - 40
123126-10631	18 - 14	177236-06910	3 - 27	437215-20760	4 - 28
123126-10631	19 - 11	178003-51830	14 - 17	437215-20760	5 - 28
123137-19830	18 - 15	178010-52130	14 - 21	437215-20760	6 - 21
123137-19830	19 - 13	178012-52630	14 - 20	605014-54230	10 - 21
123138-03930	18 - 17	178012-52630	14 - 20	605014-54230	11 - 21
123138-03930	19 - 14	178013-52630	14 - 26	605014-54230	9 - 21
123139-05560	18 - 19	178013-52630	15 - 26	610011-49930	10 - 33
123139-05560	19 - 16	178013-52630	16 - 26	610011-49930	11 - 33
123140-05560	18 - 20	178043-42230	14 - 22	610011-49930	14 - 10
123140-27230	19 - 17	178090-52630	14 - 25	610011-49930	15 - 10
123142-05560	18 - 24	178090-52631	14 - 25	610011-49930	16 - 10
123143-12110	18 - 8	178090-52631	15 - 25	610011-49930	9 - 33
123143-12110	19 - 6	178090-52632	14 - 25	610272-51830	14 - 28
123144-44330	19 - 20	178090-52632	15 - 25	610281-42230	14 - 5
123149-54230	18 - 6	178090-52632	16 - 25	610300-56930	12 - 12
123149-54230	19 - 4	178127-06960	14 - 7	610300-56930	13 - 12
123172-45130	18 - 5	178127-43230	9 - 12	610300-56930	17 - 12
123172-45130	19 - 3	224924-52930	10 - 14	610310-56930	12 - 10
123173-07930	18 - 7	224924-52930	11 - 14	610310-56930	17 - 10
123173-07930	19 - 5	224924-52930	9 - 14	610310-56931	13 - 10
123180-05560	18 - 22	301001-56831	14 - 34	610313-56830	12 - 36
123181-39130	4 - 30	301001-56831	9 - 34	610313-56830	13 - 36
123181-39130	5 - 30	301015-05330	10 - 16	610314-52130	12 - 4
123181-40630	18 - 23	301015-05330	11 - 16	610314-52130	13 - 4
123183-40630	18 - 9	301015-05330	9 - 16	610320-52130	12 - 2
131004-55530	6 - 2	301200-05230	10 - 15	610320-52130	13 - 2
131016-55830	6 - 3	301200-05230	9 - 15	610352-56830	12 - 11
131051-56030	6 - 4	301200-42230	14 - 15	610352-56830	13 - 11
131205-19830	6 - 27	301207-07530	14 - 12	610352-56830	17 - 5
131300-56430	6 - 22	301207-07530	15 - 12	610400-56931	12 - 1
132010-53630	6 - 20	301207-07530	16 - 12	610400-56932	12 - 1

**Index**

<b>Patrs Number</b>	<b>Key No.</b>	<b>Patrs Number</b>	<b>Key No.</b>	<b>Patrs Number</b>	<b>Key No.</b>
610434-50030	12 - 17	900105-05012	9 - 17	900242-05025	15 - 19
610434-50030	17 - 17	900105-05018	14 - 13	900242-05028	14 - 29
610434-50031	12 - 17	900105-05018	15 - 13	900242-05035	14 - 18
610434-50031	13 - 17	900105-05055	4 - 14	900242-05035	14 - 37
610434-50031	17 - 17	900105-05055	5 - 14	900242-05035	15 - 18
610444-56830	12 - 8	900105-06060	4 - 23	900242-05035	15 - 52
610444-56830	13 - 8	900105-06060	5 - 23	900242-05035	16 - 64
610444-56830	17 - 8	900106-05012	1 - 41	900252-05012	7 - 13
610473-52131	12 - 15	900106-05012	4 - 25	900252-05012	8 - 13
610473-52131	13 - 15	900106-05012	6 - 9	900253-04008	4 - 16
610473-52131	17 - 15	900106-05020	1 - 36	900253-04016	10 - 2
695001-55630	12 - 32	900106-05020	3 - 33	900253-04016	9 - 2
695001-55631	12 - 32	900106-05020	6 - 16	900253-04025	14 - 6
695001-55631	13 - 32	900106-05025	4 - 4	900256-04016	11 - 47
696001-55630	12 - 31	900106-05025	5 - 4	900323-03014	1 - 44
696001-55631	12 - 31	900106-05025	6 - 17	900323-03014	2 - 19
696001-55631	13 - 31	900141-05012	12 - 41	900500-00005	10 - 4
699013-56830	7 - 22	900141-05012	13 - 41	900500-00005	11 - 49
699013-56830	8 - 22	900162-05012	1 - 33	900500-00005	14 - 24
699200-56830	12 - 35	900162-05012	4 - 20	900500-00005	14 - 24
699200-56830	13 - 35	900162-05012	5 - 20	900500-00005	14 - 41
699226-05430	12 - 37	900162-05020	1 - 3	900500-00005	14 - 47
699226-05430	13 - 37	900162-05020	1 - 34	900500-00005	15 - 20
699227-04630	12 - 39	900162-05020	2 - 9	900500-00005	15 - 56
699227-04630	13 - 39	900162-05020	9 - 27	900500-00005	16 - 68
699228-08930	12 - 40	900162-05025	10 - 41	900500-00005	16 - 71
699228-08930	13 - 40	900162-05025	15 - 59	900500-00005	16 - 78
699229-56830	12 - 3	900162-05025	7 - 23	900500-00005	9 - 4
699229-56830	13 - 3	900162-05028	1 - 32	900500-00005	9 - 28
890118-17930	3 - 35	900162-05030	9 - 23	900502-00006	10 - 10
890152-04930	11 - 57	900162-05035	10 - 24	900502-00006	11 - 10
890152-04930	16 - 73	900162-05035	1 - 23	900502-00006	14 - 9
890157-39130	14 - 11	900162-06030	12 - 19	900502-00006	15 - 9
890617-43130	10 - 31	900162-06030	17 - 19	900502-00006	16 - 9
890617-43130	11 - 31	900220-05030	10 - 3	900502-00006	9 - 10
890617-43130	9 - 31	900220-05030	9 - 3	900502-00008	3 - 24
895112-00330	7 - 2	900238-05022	16 - 70	900519-00010	2 - 17
895112-00330	8 - 2	900238-05040	16 - 77	900565-00005	7 - 16
895410-08030	7 - 3	900242-05010	12 - 18	900565-00005	8 - 16
895610-00130	7 - 1	900242-05010	13 - 18	900565-50008	10 - 23
895610-00130	8 - 1	900242-05010	17 - 18	900565-50008	11 - 23
897518-01131	7 - 4	900242-05014	14 - 16	900565-50008	9 - 24
897518-01131	8 - 4	900242-05014	14 - 38	900603-50008	12 - 16
898503-50030	12 - 33	900242-05014	15 - 53	900603-50008	13 - 16
898510-39130	7 - 6	900242-05014	16 - 65	900603-50008	17 - 16
898510-39130	8 - 6	900242-05018	7 - 17	900701-00012	1 - 27
898562-43230	12 - 34	900242-05018	8 - 17	900701-00012	12 - 23
899580-68730	7 - 5	900242-05025	14 - 19	900701-00012	13 - 23
900105-05012	10 - 17	900242-05025	14 - 45	900701-00012	17 - 23



**Index**

<b>Patrs Number</b>	<b>Key No.</b>	<b>Patrs Number</b>	<b>Key No.</b>	<b>Patrs Number</b>	<b>Key No.</b>
900702-00028	1 - 25	A021-001160	5 - 9	A409-000060	2 - 18
900702-00028	12 - 22	A051-000070	3 - 26	A409-000061	2 - 18
900702-00028	13 - 22	A052-000010	3 - 20	A411-000050	2 - 10
900702-00028	17 - 22	A052-000011	3 - 20	A426-000000	2 - 2
900702-00032	12 - 7	A101-000050	1 - 10	A427-000000	2 - 1
900702-00032	13 - 7	A101-000070	1 - 10	A440-000230	14 - 23
900702-00032	17 - 7	A101-000070	1 - 10	A440-000240	9 - 9
900702-00045	1 - 31	A101-000070	1 - 10	A440-000600	15 - 23
900720-00012	12 - 5	A101-000070	1 - 10	A440-000610	10 - 9
900720-00012	13 - 5	A128-000060	4 - 1	A440-001080	16 - 72
900720-00012	17 - 3	A128-000060	5 - 1	A553-000030	2 - 15
900720-00032	16 - 76	A130-000271	1 - 2	A553-000040	2 - 15
900800-06001	12 - 20	A130-000451	1 - 2	A556-000160	1 - 24
900800-06001	13 - 20	A130-000480	1 - 2	A556-000161	1 - 24
900800-06001	17 - 20	A130-000710	1 - 2	A556-000180	1 - 24
900803-06001	12 - 21	A130-000710	1 - 2	A556-000181	1 - 24
900803-06001	13 - 21	A130-000711	1 - 2	A557-000000	2 - 12
900803-06001	17 - 21	A130-000711	1 - 2	C050-000050	10 - 32
900807-06001	1 - 26	A130-000810	1 - 2	C050-000050	14 - 30
900810-00629	12 - 13	A160-000240	1 - 39	C050-000050	15 - 30
900810-00629	13 - 13	A160-000241	1 - 39	C050-000050	9 - 32
900810-00629	17 - 13	A162-000020	1 - 38	C050-000880	11 - 32
900810-36202	1 - 19	A172-000150	1 - 35	C050-000880	16 - 30
900812-06201	12 - 9	A200-000060	4 - 3	C062-000180	10 - 34
900812-06201	13 - 9	A200-000060	5 - 3	C062-000180	14 - 34
900812-06201	17 - 9	A226-000080	4 - 15	C062-000180	15 - 34
900814-06202	12 - 38	A226-000210	4 - 26	C062-000180	9 - 34
900814-06202	13 - 38	A226-000210	5 - 26	C062-000181	10 - 34
91118-05025	11 - 41	A226-000320	4 - 15	C062-000181	14 - 34
91118-05025	16 - 59	A226-000360	5 - 15	C062-000181	15 - 34
91118-05025	8 - 23	A232-000090	4 - 18	C062-000181	9 - 34
91118-05035	11 - 24	A232-000091	4 - 18	C062-000182	11 - 34
91118-06030	13 - 19	A232-000300	4 - 18	C062-000182	16 - 34
91119-05012	11 - 17	A232-000320	4 - 32	C400-000400	10 - 29
91119-05030	11 - 48	A232-000320	5 - 32	C400-000400	11 - 29
91121-05012	5 - 25	A235-000060	4 - 10	C403-000030	9 - 30
94035-36201	1 - 18	A239-000050	5 - 34	C403-000031	9 - 30
A011-000120	1 - 15	A244-000010	4 - 13	C405-000150	15 - 54
A014-000000	1 - 5	A244-000010	5 - 13	C405-000160	15 - 55
A021-000340	18 -	A248-000000	14 - 46	C405-000160	16 - 67
A021-000340	4 - 9	A300-000190	4 - 21	C405-000270	16 - 66
A021-000341	18 -	A320-000080	4 - 24	C423-000041	9 - 36
A021-000341	4 - 9	A320-000080	5 - 24	C423-000340	16 - 74
A021-000591	18 -	A323-000000	4 - 17	C450-000020	9 - 7
A021-000591	4 - 9	A350-000130	6 - 11	C450-000021	9 - 7
A021-001030	18 -	A390-000000	6 - 10	C450-000022	10 - 7
A021-001030	4 - 9	A390-000010	6 - 12	C450-000022	9 - 7
A021-001160	19 -	A393-000030	6 - 8	C450-000110	14 - 21
A021-001160	4 - 9	A393-000050	6 - 14	C450-000110	15 - 21

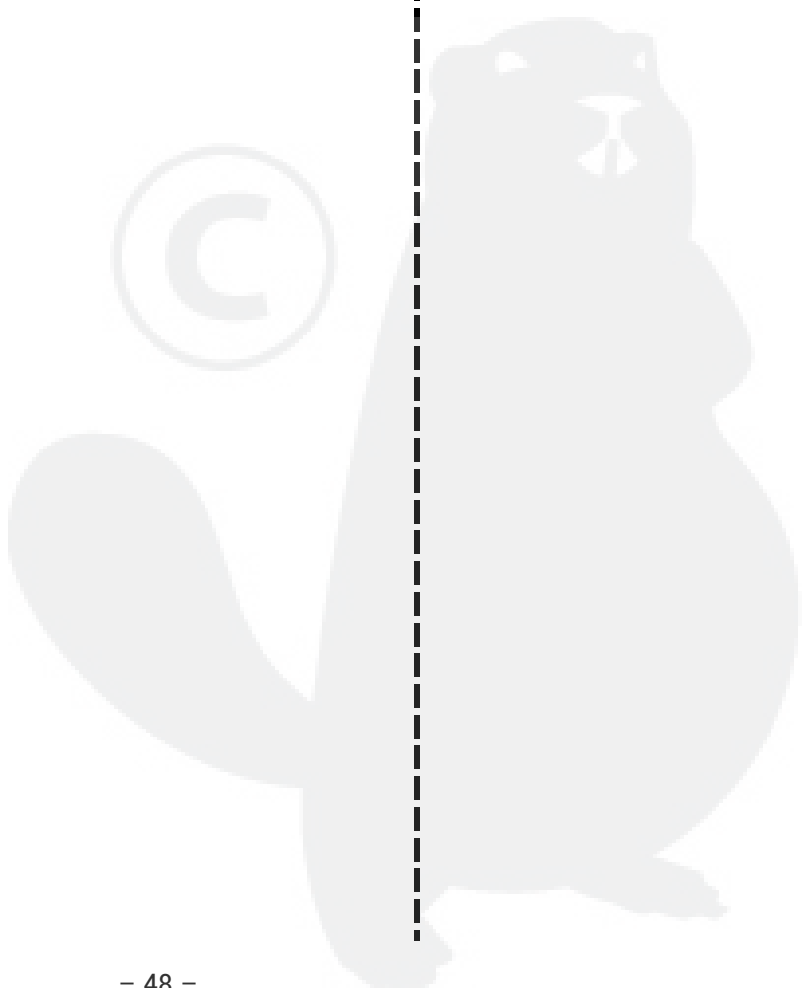
**Index**

<b>Patrs Number</b>	<b>Key No.</b>	<b>Patrs Number</b>	<b>Key No.</b>	<b>Patrs Number</b>	<b>Key No.</b>
C450-000110	16 - 21	P003-001490	19 - 10	P021-012730	11 - 40
C450-000270	11 - 52	P003-001500	19 - 19	P021-012750	11 - 19
C460-000010	9 - 5	P021-002470	1 - 16	P021-013770	8 - 10
C460-000011	10 - 5	P021-002471	1 - 16	P021-014090	11 - 46
C460-000011	9 - 5	P021-002480	2 - 11	P021-014170	16 - 69
C460-000110	11 - 50	P021-002481	2 - 11	P021-014320	13 - 42
C461-000000	15 - 24	P021-002490	4 - 12	P021-014620	11 - 54
C461-000000	16 - 24	P021-002491	4 - 12	P022-000710	17 - 42
C461-000010	14 - 48	P021-002610	9 - 1	P022-000730	17 - 48
C461-000010	15 - 48	P021-002611	9 - 1	P022-001160	17 - 44
C461-000010	16 - 48	P021-002612	10 - 1	P022-001180	17 - 47
C463-000000	10 - 37	P021-002612	9 - 1	P022-001190	17 - 49
C463-000000	9 - 37	P021-002620	7 - 10	P022-001200	17 - 45
C463-000020	11 - 55	P021-002760	9 - 19	P022-001310	17 - 46
C535-000000	12 - 6	P021-002761	9 - 19	P022-002080	3 - 28
C535-000000	17 - 4	P021-003561	1 - 9	P022-002090	3 - 22
C535-000001	12 - 6	P021-005000	1 - 9	P022-002100	3 - 21
C535-000001	13 - 6	P021-005001	1 - 9	P022-002110	1 - 7
C535-000001	17 - 4	P021-005890	14 - 17	P022-005030	17 - 49
C535-000010	12 - 14	P021-005910	2 - 18	P022-005040	17 - 43
C535-000010	17 - 6	P021-005911	2 - 18	P022-006200	17 - 48
C535-000011	12 - 14	P021-007470	12 - 33	P022-019450	17 - 46
C535-000011	13 - 14	P021-007990	15 - 17	V100-000040	1 - 4
C535-000011	17 - 6	P021-008000	15 - 58	V102-000000	1 - 20
C550-000080	7 - 11	P021-008190	2 - 11	V102-000001	1 - 20
C550-000080	8 - 11	P021-008900	4 - 21	V103-000070	4 - 2
C550-000090	7 - 21	P021-008900	5 - 21	V103-000070	5 - 2
C550-000090	8 - 21	P021-009200	15 - 50	V103-000080	4 - 5
C550-000100	7 - 20	P021-009201	15 - 50	V103-000080	5 - 5
C550-000100	8 - 15	P021-009202	16 - 62	V104-000210	4 - 19
C554-000000	7 - 12	P021-009220	10 - 19	V104-000210	5 - 19
C554-000030	8 - 12	P021-009221	10 - 19	V141-000020	2 - 4
C624-000000	14 - 32	P021-009590	4 - 12	V150-000550	4 - 22
C624-000020	15 - 32	P021-009590	5 - 12	V150-000550	5 - 22
C624-000020	16 - 32	P021-009600	4 - 18	V186-000080	5 - 29
C624-000040	16 - 61	P021-009600	5 - 18	V186-000120	4 - 29
J485-000030	4 - 11	P021-009681	1 - 9	V253-000100	4 - 31
P003-000090	18 - 21	P021-009681	1 - 9	V253-000100	5 - 31
P003-000090	19 - 18	P021-009682	1 - 9	V299-000110	10 - 20
P003-000100	18 - 11	P021-009682	1 - 9	V299-000110	11 - 20
P003-000100	19 - 8	P021-009691	1 - 1	V299-000110	9 - 20
P003-000180	18 - 4	P021-009692	1 - 1	V307-000060	1 - 14
P003-000180	19 - 2	P021-009693	1 - 1	V307-000060	1 - 14
P003-000510	18 - 13	P021-011150	1 - 9	V307-000060	1 - 14
P003-000700	18 - 10	P021-011160	1 - 43	V332-000000	17 - 41
P003-000710	18 - 2	P0210-11170	1 - 42	V346-000000	2 - 14
P003-000980	18 - 10	P021-012591	13 - 1	V353-000020	1 - 37
P003-001130	18 - 26	P021-012640	16 - 58	V353-000090	14 - 14
P003-001130	19 - 7	P021-012660	11 - 15	V353-000090	15 - 14



**Index**

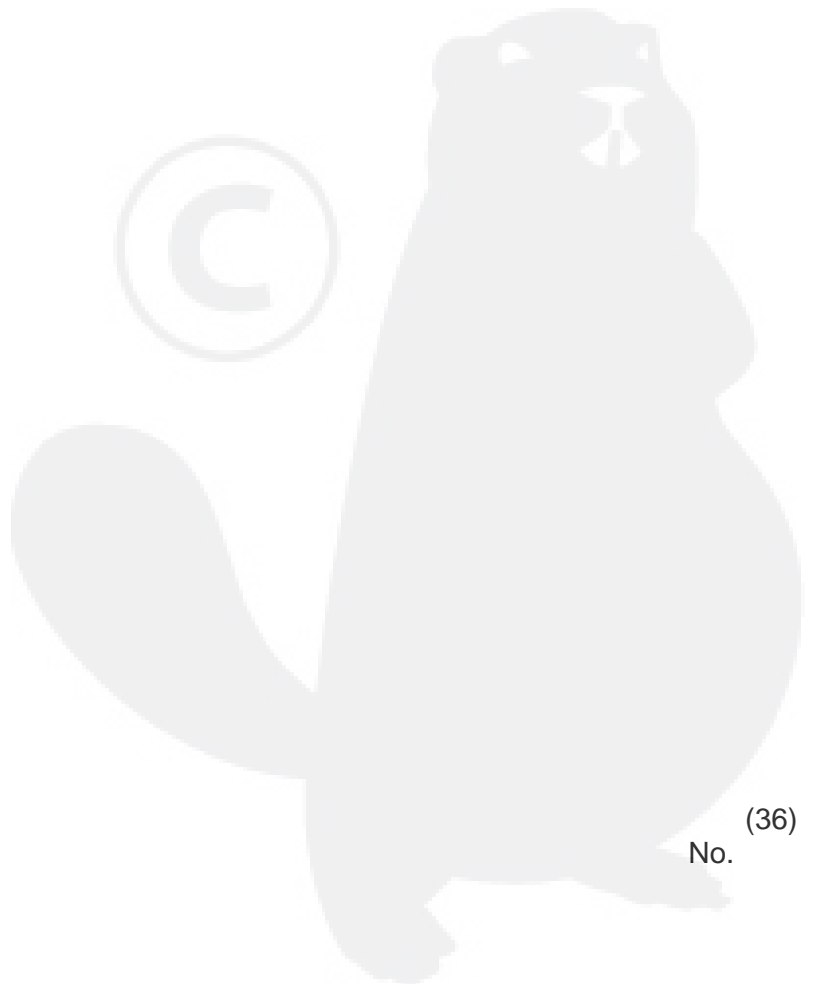
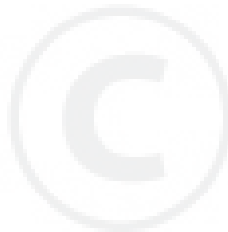
<b>Patrs Number</b>	<b>Key No.</b>	<b>Patrs Number</b>	<b>Key No.</b>	<b>Patrs Number</b>	<b>Key No.</b>
V353-000090	16 - 14	X470-000000	17 - 43		
V420-000420	1 - 30	X495-000250	13 - 43		
V420-000980	1 - 30	X503-002860	1 - 40		
V420-001061	15 - 60	X505-000140	14 - 1		
V420-001061	16 - 60	X505-000140	15 - 1		
V420-001120	10 - 45	X505-000140	16 - 1		
V420-001120	11 - 45	X602-000020	7 - 3		
V420-001720	16 - 75	X602-000020	8 - 3		
V430-000330	14 - 8	X690-000030	7 - 5		
V430-000390	9 - 11	X690-000030	8 - 5		
V430-000960	9 - 11				
V430-001460	15 - 8				
V430-001460	16 - 8				
V430-001470	10 - 11				
V430-002090	11 - 56				
V451-000230	2 - 13				
V451-000480	2 - 13				
V452-000050	9 - 6				
V452-000060	10 - 8				
V452-000060	9 - 8				
V452-000120	14 - 49				
V452-000120	15 - 49				
V452-000120	16 - 49				
V452-000130	10 - 6				
V452-000130	9 - 6				
V452-000200	15 - 22				
V452-000200	16 - 22				
V452-000350	11 - 53				
V452-000360	11 - 51				
V453-000070	2 - 16				
V471-001560	4 - 33				
V471-001560	5 - 33				
V475-001610	2 - 5				
V475-003580	15 - 7				
V475-003580	16 - 7				
V475-003590	10 - 12				
V494-000080	10 - 38				
V494-000080	11 - 38				
V494-000080	9 - 38				
V580-000010	1 - 12				
V580-000010	1 - 12				
V580-000010	1 - 12				
V608-000000	1 - 11				
V608-000000	1 - 11				
V608-000000	1 - 11				
X047-000070	17 - 40				
X047-000220	17 - 40				
X405-000000	12 - 30				
X405-000001	12 - 30				



# YAMABIKO CORPORATION

7-2 SUEHIROCHO 1-CHOME, OHME, TOKYO 198-8760, JAPAN  
PHONE: 81-428-32-6118. FAX: 81-428-32-6145.

**ECHO**<sup>®</sup>



(36)  
No.