



PARTS CATALOG

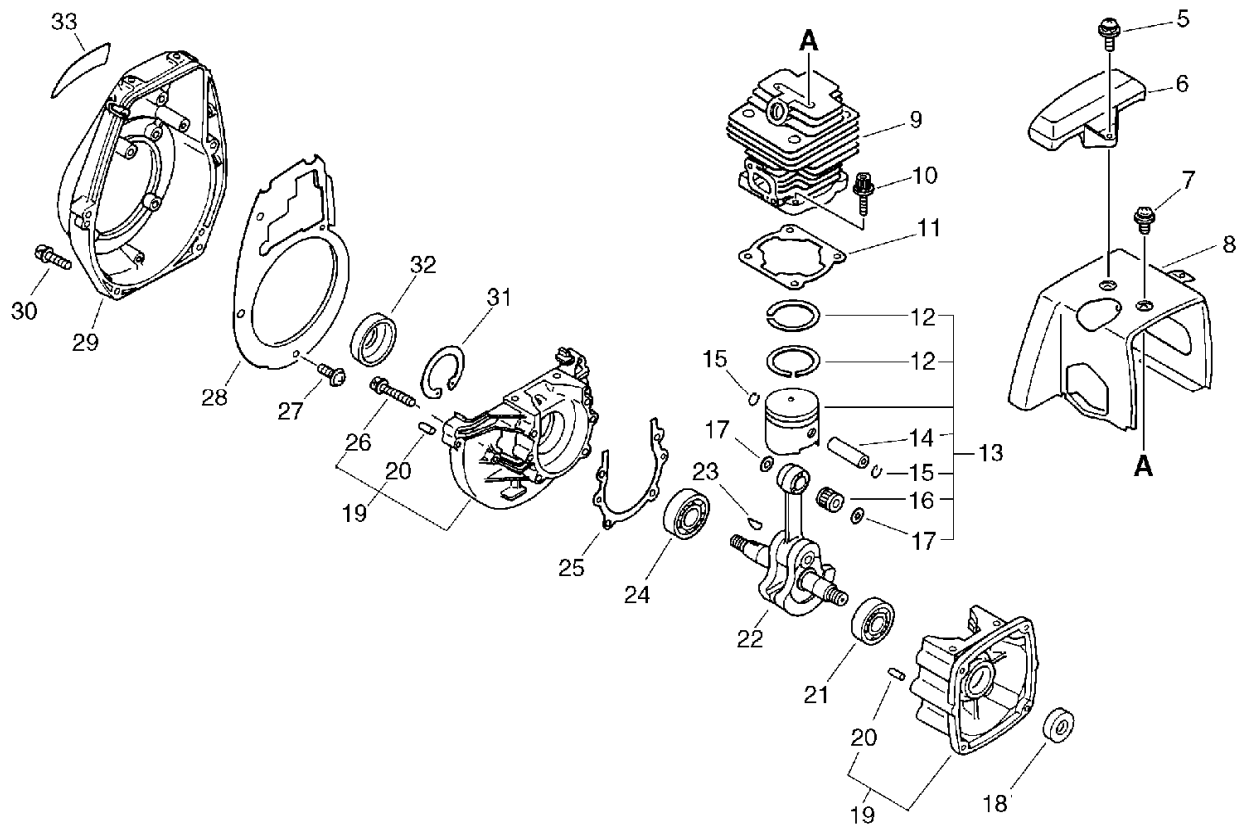
GRASS-TRIMMER / BRUSHCUTTER

SRM-4600

SRM-4600

1. Cylinder, Crankcase, Piston, Fan Cover

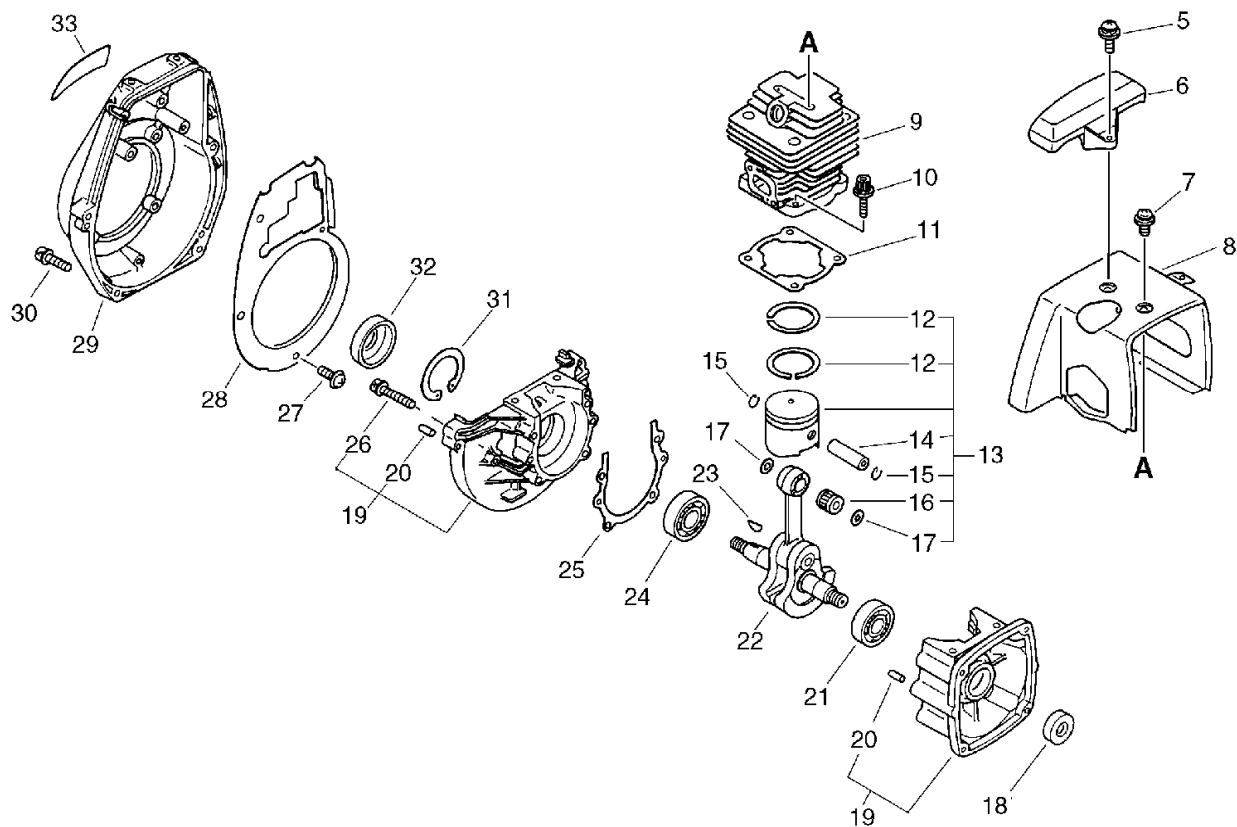
No.1



| KEY | LV | PART NUMBER | Q'TY | DESCRIPTION | REMARKS | NOTE1 | NOTE2 |
|-----|----|--------------|------|----------------------|-------------|----------------------|-------|
| 5 | | 900238-05014 | 3 | SCREW 5*14 | 5*14 | | |
| 6 | | 159905-43130 | 1 | GUARD, TOP | | | |
| 7 | | 900238-05010 | 1 | SCREW 5*10 | 5*10 | | |
| 8 | | 101514-42230 | 1 | COVER, CYLINDER (BS) | | | |
| 9 | | 101011-47530 | 1 | CYLINDER | | | |
| 10 | | 900162-05020 | 4 | BOLT, H.S. 5*20 | 5*20 W,SW | | |
| 11 | | 101010-42231 | 1 | GASKET, CYL. BASE | | | |
| 13 | | 100000-43230 | 1 | PISTON KIT | | Sus. by 100000-43231 | |
| 13 | | 100000-43231 | 1 | PISTON KIT | | | |
| 12 | + | 100011-43230 | 2 | RING, PISTON | | | |
| 14 | + | 100013-00410 | 1 | PIN, PISTON | 6*10*29.8 | | |
| 15 | + | 100015-00120 | 2 | CIRCLIP, PISTON PIN | | | |
| 16 | + | 100012-27930 | 1 | BEARING, NEEDLE | | Sus. by 100012-12331 | |
| 16 | + | 100012-12331 | 1 | BEARING, NEEDLE | | | |
| 17 | + | 100014-17330 | 2 | SPACER, PISTON PIN | | Sus. by V307-000050 | |
| 17 | + | V307-000050 | 2 | WASHER,CIRCULAR 10 | | | |
| 18 | | 100212-27930 | 1 | OILSEAL | ISD 12 25 7 | | |
| 19 | | 100200-42230 | 1 | CRANKCASE SET | | | |
| 20 | + | 100215-02830 | 4 | PIN, DOWEL | | | |
| 26 | + | 900162-05030 | 4 | BOLT, H.S. 5*30 | 5*30 W,SW | | |
| 21 | | 900810-36201 | 1 | BEARING, BALL 6201 | 6201/C3 | Sus. by 94035-36201 | |
| 21 | | 94035-36201 | 1 | BEARING BALL | 6201X3JR2C3 | | |

1. Cylinder, Crankcase, Piston, Fan Cover

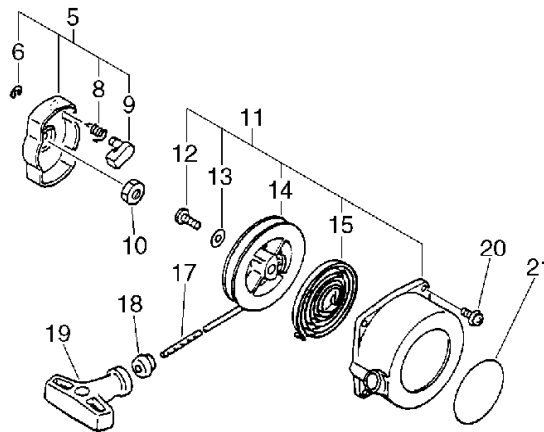
No.1



| KEY | LV | PART NUMBER | Q'TY | DESCRIPTION | REMARKS | NOTE1 | NOTE2 |
|-----|----|--------------|------|--------------------|-------------|-------|-------|
| 22 | | 100100-43130 | 1 | CRANKSHAFT ASSY | | | |
| 23 | | 100142-12330 | 1 | KEY, WOODRUFF | | | |
| 24 | | 900810-36202 | 1 | BEARING, BALL 6202 | 6202/C3 | | |
| 25 | | 100242-42230 | 1 | GASKET, CRANKCASE | | | |
| 27 | | 900238-04010 | 4 | SCREW 4*10 | 4*10 | | |
| 28 | | 101534-42230 | 1 | PLATE, GUIDE | | | |
| 29 | | 101511-42230 | 1 | COVER, FAN (BS) | | | |
| 30 | | 900162-05025 | 4 | BOLT, H.S. 5*25 | 5*25 W,SW | | |
| 31 | | 900702-00035 | 1 | CIRCLIP 35 | CR-35 | | |
| 32 | | 100213-02830 | 1 | OILSEAL | ISMX15,35,6 | | |
| 33 | | 890112-43230 | 1 | LABEL, MODEL | | | |

2. Starter

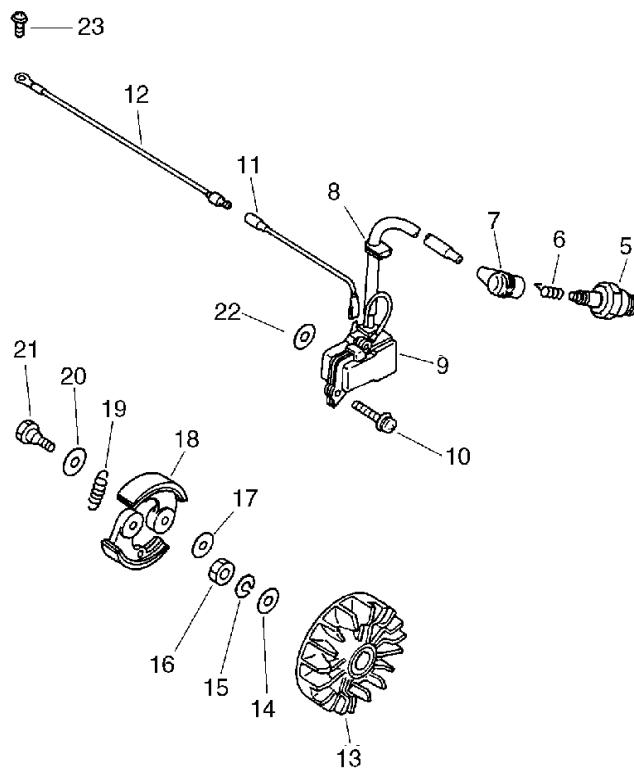
No.2



| KEY | LV | PART NUMBER | Q'TY | DESCRIPTION | REMARKS | NOTE1 | NOTE2 |
|-----|----|--------------|------|--------------------|-----------|--------------------------------------|-------|
| 5 | | 177202-41030 | 1 | PAWL ASSY, STARTER | | | |
| 6 | + | 900700-00004 | 1 | E-RING 4 | CE-4 | | |
| 8 | + | 177234-40630 | 1 | SPRING, RETURN | | | |
| 9 | + | 177218-40630 | 1 | PAWL, STARTER | WHITE | | |
| 10 | | 900502-00008 | 1 | NUT 8 (3N) | 3N8 | | |
| 11 | | 177200-43130 | 1 | STARTER ASSY (BS) | | Sus. by A051-000170 | |
| 11 | | A051-000170 | 1 | STARTER, RECOIL | | | |
| 12 | + | 177236-40630 | 1 | SCREW | | | |
| 13 | + | 177214-41030 | 1 | WASHER | | | |
| 14 | + | 177215-43130 | 1 | DRUM, STARTER | | | |
| 15 | + | 177220-40630 | 1 | SPRING, REWIND | | | |
| 17 | + | 177226-01110 | 1 | ROPE, STARTER | 4.0*880 | | |
| 18 | + | 177227-05530 | 1 | GUIDE, ROPE | | Can be used on the 177200-43130 only | |
| 18 | + | 177227-42030 | 1 | GUIDE, ROPE | | Can be used on the A051-000170 only | |
| 19 | + | 177228-11120 | 1 | GRIP, STARTER | | | |
| 20 | | 900162-04020 | 4 | BOLT, H.S. 4*20 | 4*20 W,SW | | |
| 21 | | 890118-49330 | 1 | LABEL, ECHO | | | |

3. Magneto, Clutch

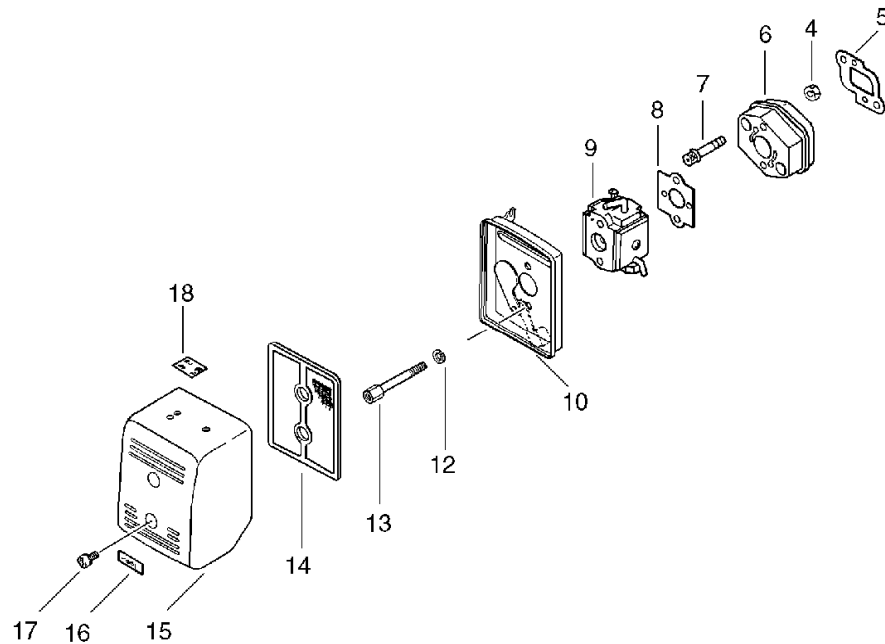
No.3



| KEY | LV | PART NUMBER | Q'TY | DESCRIPTION | REMARKS | NOTE1 | NOTE2 |
|-----|----|--------------|------|----------------------|------------|--|-------|
| 5 | | 159017-10230 | 1 | PLUG, SPARK (RCJ-7Y) | RCJ-7Y | | |
| 6 | | 159011-03432 | 1 | COIL, SPARK PLUG | | | |
| 7 | | 159012-03433 | 1 | CAP, SPARK PLUG | | | |
| 8 | | 156112-40630 | 1 | GROMMET | | | |
| 9 | | 156626-42230 | 1 | COIL, IGNITION | | Sus. by set of 156601-12920 and 900600-00006 | |
| 9 | | 156601-12920 | 1 | COIL,IGNITION | | | |
| 10 | | 900238-05020 | 2 | SCREW 5*20 | 5*20 | | |
| 11 | | 162021-42230 | 1 | LEAD | | | |
| 12 | | 156635-43130 | 1 | LEAD, GROUND | | | |
| 13 | | 156801-42230 | 1 | FLYWHEEL | | | |
| 14 | | 900600-00010 | 1 | WASHER 10 | 10 | | |
| 15 | | 900605-00010 | 1 | WASHER, SPRING 10 | 10 | | |
| 16 | | 900503-00010 | 1 | NUT 10 (3N *1.25) | 3N10*P1.25 | | |
| 17 | | 175049-03920 | 2 | WASHER | | | |
| 18 | | 175009-42231 | 2 | SHOE, CLUTCH | | | |
| 19 | | 175018-42230 | 1 | SPRING, CLUTCH | | | |
| 20 | | 175048-03920 | 2 | WASHER | | | |
| 21 | | 175046-06230 | 2 | BOLT, CLUTCH | | | |
| 22 | | 900600-00006 | 2 | WASHER 6 | 6 | | |
| 23 | | 900238-05010 | 1 | SCREW 5*10 | 5*10 | | |

4. Air Cleaner

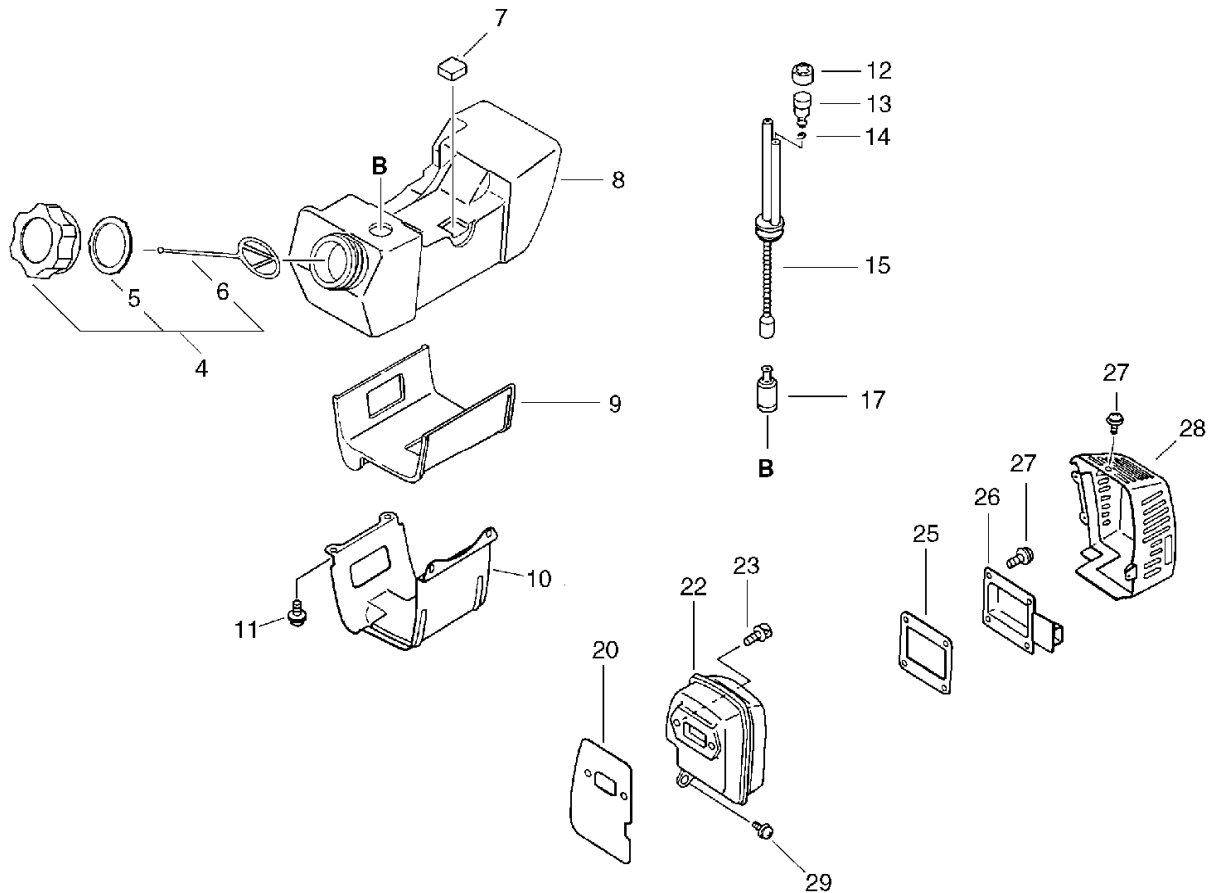
No.4



| KEY | LV | PART NUMBER | Q'TY | DESCRIPTION | REMARKS | NOTE1 | NOTE2 |
|-----|----|--------------|------|--------------------|-----------|----------------------|-------|
| 4 | | 900500-00005 | 2 | NUT 5 | 5 | | |
| 5 | | 130016-42231 | 1 | GASKET, INTAKE | | | |
| 6 | | 130017-43130 | 1 | INSULATOR | | | |
| 7 | | 900162-05025 | 2 | BOLT, H.S. 5*25 | 5*25 W,SW | | |
| 8 | | 130016-06231 | 1 | GASKET | | Sus. by 130016-06232 | |
| 8 | | 130016-06232 | 1 | GASKET, INTAKE | | | |
| 9 | | 123000-47532 | 1 | CARBURETOR ASSY | WT-120B | | |
| 10 | | 130307-47531 | 1 | CASE, AIR CLEANER | | Sus. by 130307-47533 | |
| 10 | | 130307-47532 | 1 | CASE, AIR CLEANER | | Sus. by 130307-47533 | |
| 10 | | 130307-47533 | 1 | CASE, AIR CLEANER | | | |
| 12 | | 900605-00005 | 2 | WASHER, SPRING 5 | 5 | | |
| 13 | | 130021-47530 | 2 | BOLT, 5 | | Sus. by 130021-51530 | |
| 13 | | 130021-51530 | 2 | BOLT, 5 | | | |
| 14 | | 130310-06230 | 1 | FILTER, AIR | | | |
| 15 | | 130313-06230 | 1 | COVER, AIR CLEANER | | | |
| 16 | | 890121-21430 | 1 | LABEL, CHOKE | | | |
| 17 | | 900238-04008 | 2 | SCREW 4*8 | 4*8 | | |
| 18 | | 890169-47530 | 1 | LABEL, ADJUSTING | | | |

5. Muffler, Fuel Tank

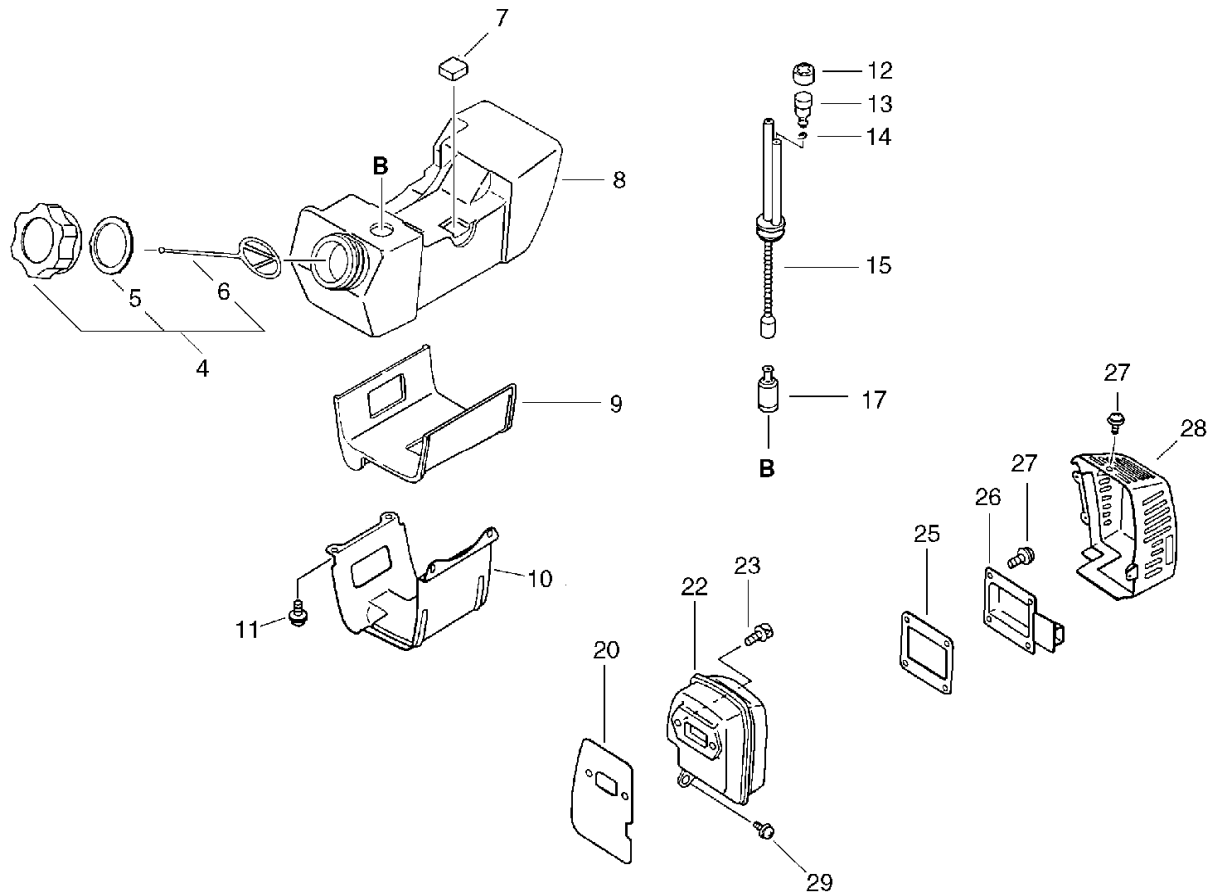
No.5



| KEY | LV | PART NUMBER | Q'TY | DESCRIPTION | REMARKS | NOTE1 | NOTE2 |
|-----|----|--------------|------|-------------------------|---------|--------------------------------------|-------|
| 4 | | 131004-46730 | 1 | CAP ASSY, FUEL TANK | | Sus. by 131004-08960 | |
| 4 | | 131004-08960 | 1 | CAP ASSY, FUEL | | | |
| 5 | + | 131016-40930 | 1 | GASKET, FUEL CAP | | Can be used on the 131004-46730 only | |
| 5 | + | 131016-55830 | 1 | GASKET, FUEL CAP | | Can be used on the 131004-08960 only | |
| 6 | + | 131051-52430 | 1 | CONNECTOR, CAP | 80L | | |
| 7 | | 131923-11120 | 3 | CUSHION | | | |
| 8 | | 131010-43130 | 1 | TANK, FUEL | | Sus. by 131010-46931 | |
| 8 | | 131010-46930 | 1 | TANK, FUEL | | Sus. by 131010-46931 | |
| 8 | | 131010-46931 | 1 | TANK, FUEL | | | |
| 9 | | 131924-43130 | 1 | CUSHION | | | |
| 10 | | 131910-43130 | 1 | BRACKET, FUEL TANK (BL) | | | |
| 11 | | 900238-05014 | 2 | SCREW 5*14 | 5*14 | | |
| 12 | | 131328-40630 | 1 | COVER, VENT | | | |
| 13 | | 131300-49930 | 1 | VALVE, CHECK | | Sus. by 131300-56430 | |
| 13 | | 131300-56430 | 1 | VALVE, CHECK | | | |
| 14 | | 132013-26630 | 1 | CLIP | 6.5MM | | |
| 15 | | 132010-43130 | 1 | PIPE, FUEL (INNER) | NBR | | |
| 17 | | 131205-19830 | 1 | STRAINER, FUEL | | | |

5. Muffler, Fuel Tank

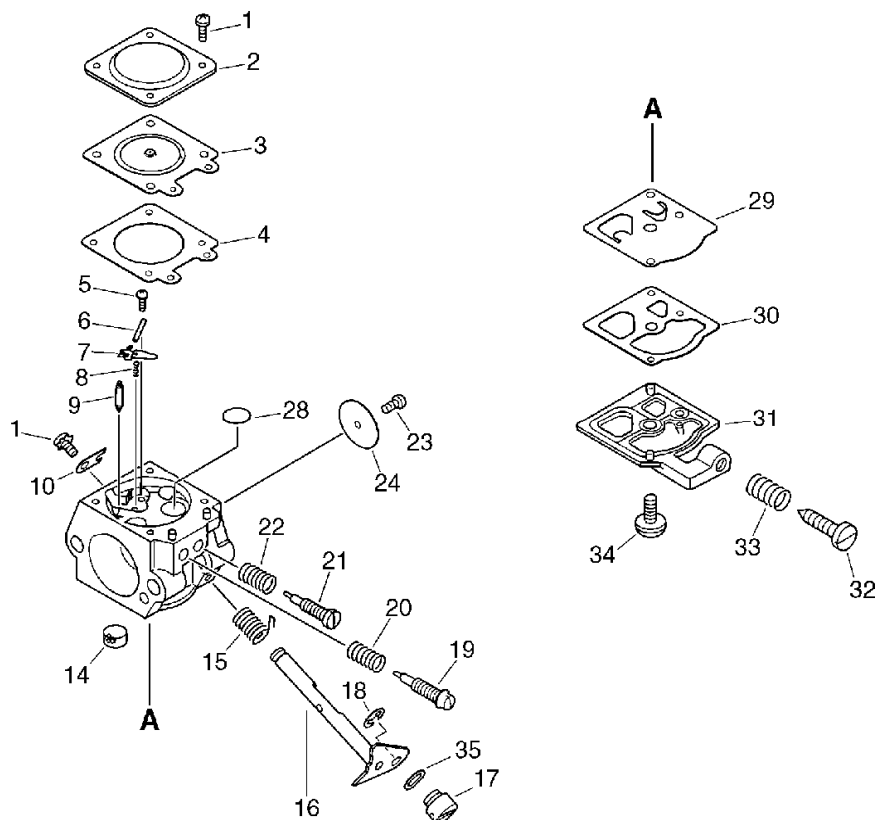
No.5



| KEY | LV | PART NUMBER | Q'TY | DESCRIPTION | REMARKS | NOTE1 | NOTE2 |
|-----|----|--------------|------|---------------------|-----------|-------|-------|
| 20 | | 145510-42231 | 1 | GASKET, MUFFLER | | | |
| 22 | | 145610-47530 | 1 | MUFFLER | | | |
| 23 | | 900162-05020 | 2 | BOLT, H.S. 5*20 | 5*20 W,SW | | |
| 25 | | 145866-43131 | 1 | GASKET, MUFFLER LID | | | |
| 26 | | 145867-47530 | 1 | LID, MUFFLER | | | |
| 27 | | 900238-04010 | 7 | SCREW 4*10 | 4*10 | | |
| 28 | | 145871-43130 | 1 | COVER, MUFFLER | | | |
| 29 | | 900238-05014 | 1 | SCREW 5*14 | 5*14 | | |

6. Carburetor

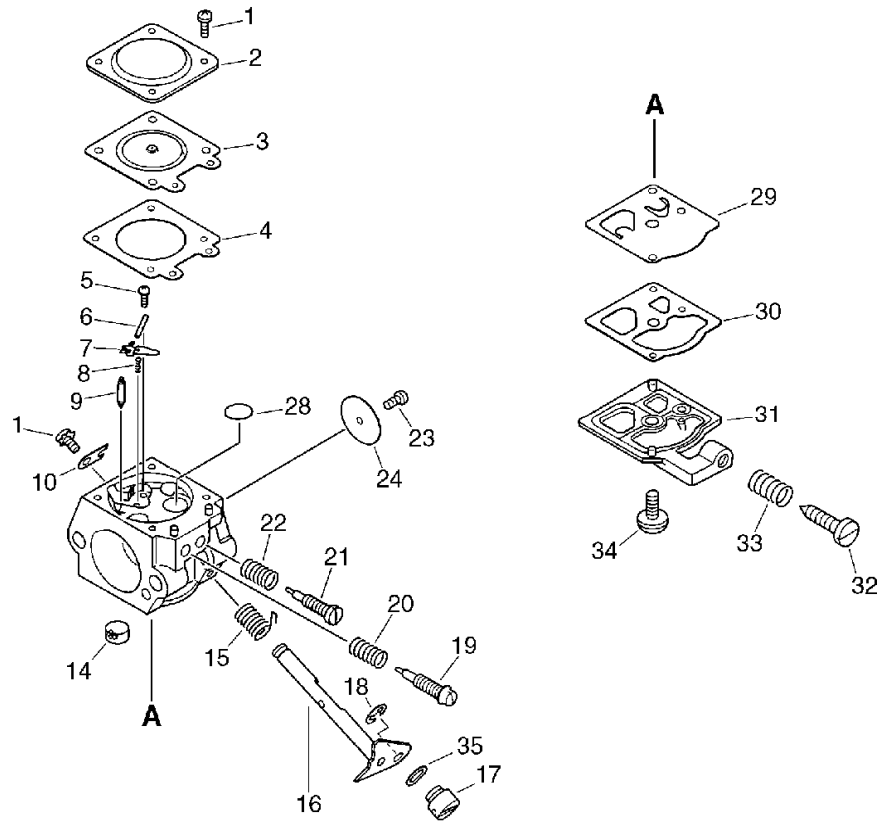
No.6



| KEY | LV | PART NUMBER | Q'TY | DESCRIPTION | REMARKS | NOTE1 | NOTE2 |
|-----|----|--------------|------|----------------------|---------|----------------------|-------|
| | | 123000-47532 | 1 | CARBURETOR ASSY | WT-120B | | |
| 1 | + | 123130-02960 | 5 | SCREW | | | |
| 2 | + | 123142-03930 | 1 | COVER, M. DIAPHRAGM | | | |
| 3 | + | 123141-03930 | 1 | DIAPHRAGM, METERING | | | |
| 4 | + | 123140-03930 | 1 | GASKET, M. DIAPHRAGM | | | |
| 5 | + | 123139-03930 | 1 | SCREW, M. LEVER PIN | | | |
| 6 | + | 123138-03930 | 1 | PIN, METERING LEVER | | | |
| 7 | + | 123123-03930 | 1 | LEVER, METERING | | | |
| 8 | + | 123122-47530 | 1 | SPRING, METER. LEVER | | | |
| 9 | + | 123137-04260 | 1 | VALVE, INLET NEEDLE | | | |
| 10 | + | 123127-03930 | 1 | CLIP, THROTTLE SHAFT | | | |
| 14 | + | 123126-10631 | 1 | SCREEN, INLET | | | |
| 15 | + | 123113-47530 | 1 | SPRING, THR. RTN. | | | |
| 16 | + | 123117-05020 | 1 | SHAFT, THROTTLE | | | |
| 17 | + | 123172-26030 | 1 | SWIVEL | | | |
| 18 | + | 123173-07930 | 1 | CLIP | | | |
| 19 | + | 123120-47530 | 1 | NEEDLE, HIGH SPEED | | | |
| 20 | + | 123119-22130 | 1 | SPRING, NEEDLE | | | |
| 21 | + | 123118-40430 | 1 | NEEDLE, IDLE | | | |
| 22 | + | 123121-22130 | 1 | SPRING, NEEDLE | | | |
| 23 | + | 123114-03930 | 1 | SCREW | | Sus. by 123114-38830 | |
| 23 | + | 123114-38830 | 1 | SCREW | | | |
| 24 | + | 123116-10530 | 1 | VALVE, THROTTLE | | | |
| 28 | + | 123146-10631 | 1 | PLUG, WELCH | | | |
| 29 | + | 123112-15030 | 1 | DIAPHRAGM, FUEL PUMP | | | |

6. Carburetor

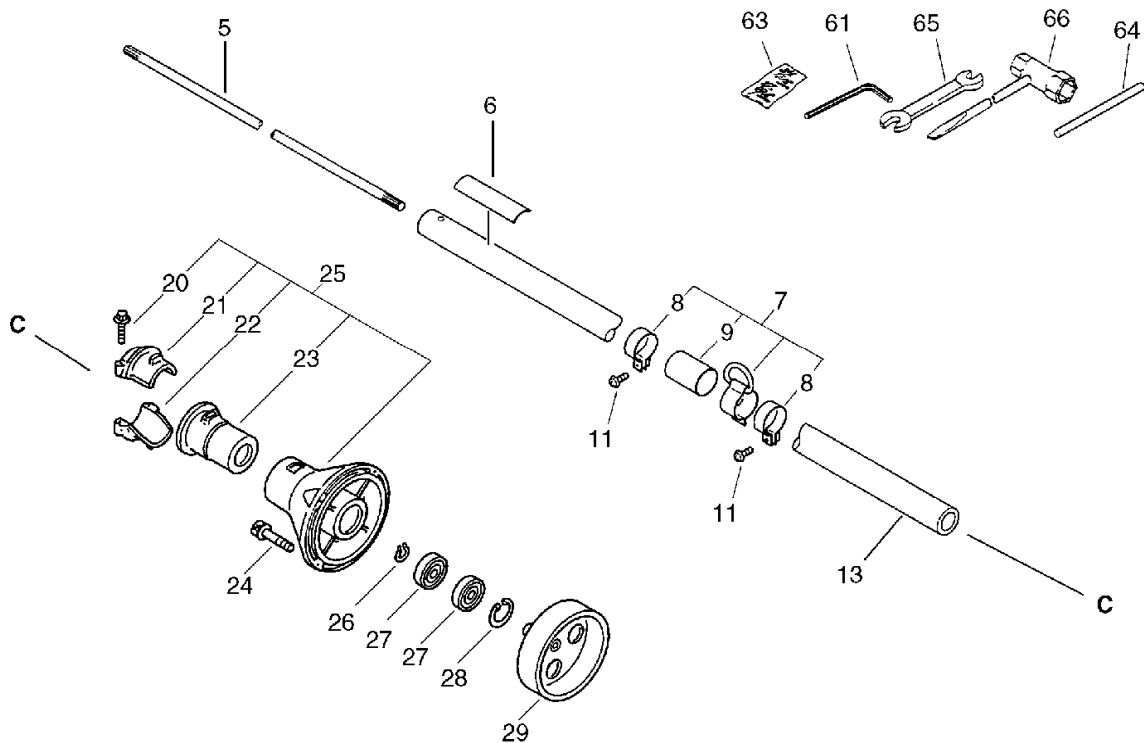
No.6



| KEY | LV | PART NUMBER | Q'TY | DESCRIPTION | REMARKS | NOTE1 | NOTE2 |
|-----|----|--------------|------|---------------------|---------|-------|-------|
| 30 | + | 123125-15030 | 1 | GASKET, FUEL PUMP | | | |
| 31 | + | 123124-24430 | 1 | COVER, FUEL PUMP | | | |
| 32 | + | 123134-04260 | 1 | SCREW, IDLE ADJUST | | | |
| 33 | + | 123133-06320 | 1 | SPRING, IDLE ADJUST | | | |
| 34 | + | 123110-03930 | 1 | SCREW, PUMP COVER | | | |
| 35 | + | 123149-26030 | 1 | WASHER | | | |

7. Drive Shaft, Tools

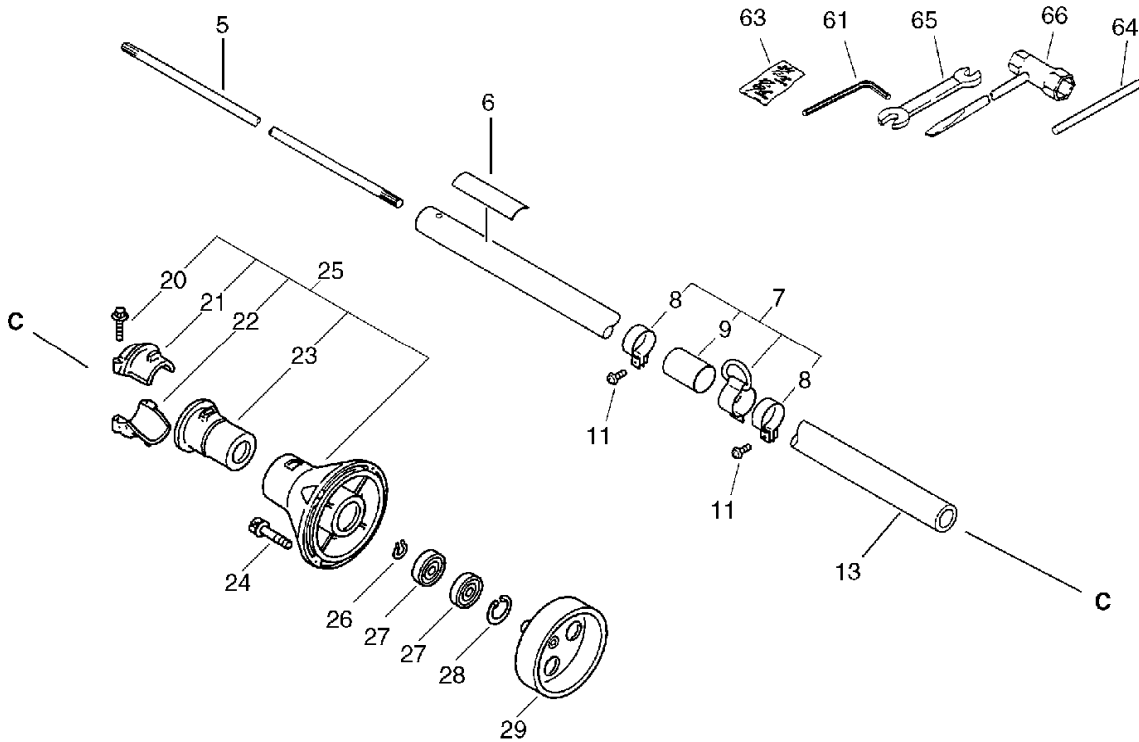
No.7



| KEY | LV | PART NUMBER | Q'TY | DESCRIPTION | REMARKS | NOTE1 | NOTE2 |
|-----|----|--------------|------|----------------------|-----------|--------------------------------------|-------|
| 5 | | 610011-06230 | 1 | SHAFT, DRIVE | | | |
| 6 | | 890617-46830 | 1 | LABEL, CAUTION | | Sus. by 890617-43130 | |
| 6 | | 890617-43130 | 1 | LABEL CAUTION | | | |
| 7 | | 301200-06230 | 1 | HOOK ASS'Y | | | |
| 8 | + | 301207-05630 | 2 | HOOK | | | |
| 9 | + | 301224-06230 | 1 | GUIDE | | | |
| 11 | + | 900242-05014 | 2 | SCREW 5*14 | 5*14 | | |
| 13 | | 610206-43130 | 1 | HOUSING ASSY, D.SHFT | | | |
| 20 | | 900142-05025 | 2 | BOLT 5*25 (W/W,SW) | 5*25 | | |
| 21 | | 610922-40430 | 1 | HOLDER | | | |
| 22 | | 610923-40430 | 1 | HOLDER | | | |
| 23 | | 610910-40430 | 1 | CUSHION | | | |
| 24 | | 900162-05020 | 4 | BOLT, H.S. 5*20 | 5*20 W,SW | | |
| 25 | | 610205-43130 | 1 | FLANGE (BS) | | Sus. by 610203-43130 | |
| 25 | | 610203-43130 | 1 | FLANGE, ASY | | | |
| 20 | + | 900142-05025 | 2 | BOLT 5*25 (W/W,SW) | 5*25 | Can be used on the 610203-43130 only | |
| 21 | + | 610922-43130 | 1 | HOLDER, MAIN PIPE | | Can be used on the 610203-43130 only | |
| 22 | + | 610922-55630 | 1 | HOLDER, PIPE | | Can be used on the 610203-43130 only | |

7. Drive Shaft, Tools

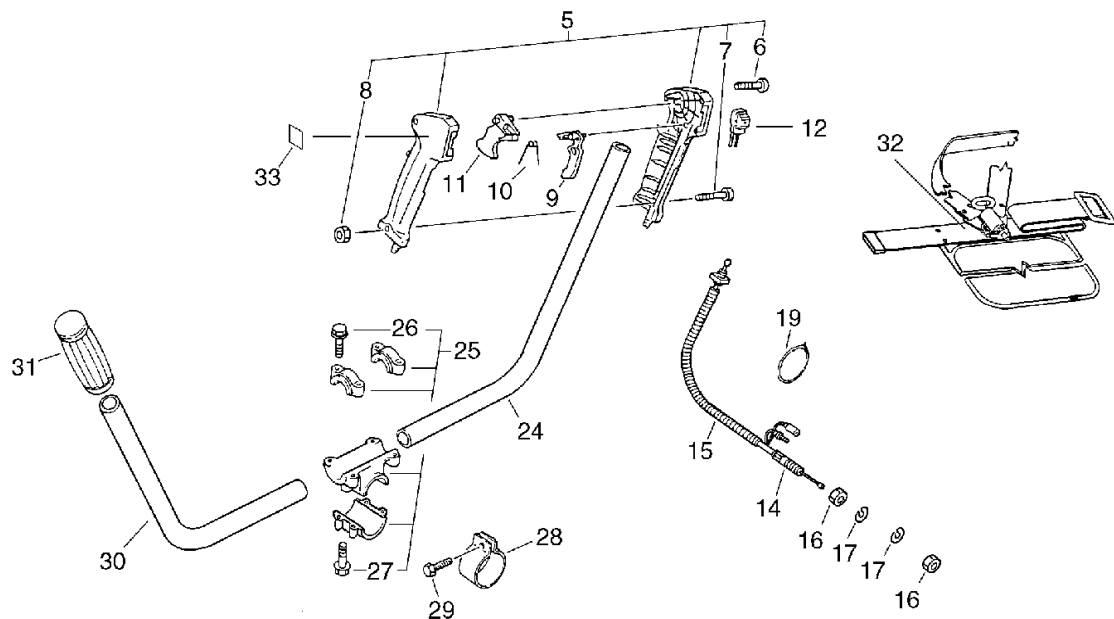
No.7



| KEY | LV | PART NUMBER | Q'TY | DESCRIPTION | REMARKS | NOTE1 | NOTE2 |
|-----|----|--------------|------|---------------------|------------|--------------------------------------|-------|
| 23 | + | 610910-51830 | 1 | CUSHION | | Can be used on the 610203-43130 only | |
| 26 | | 900701-00012 | 1 | CIRCLIP 12 | CS-12 | | |
| 27 | | 900807-06001 | 2 | BEARING, BALL 6001 | 6001V(LB) | | |
| 28 | | 900702-00028 | 1 | CIRCLIP 28 | CR-28 | | |
| 29 | | 175005-43130 | 1 | DRUM, CLUTCH | | | |
| 61 | | 895610-00130 | 1 | L-WRENCH (4MM) | | | |
| 63 | | 898502-01130 | 1 | PIN 2*22 (W/POUCH) | | | |
| 64 | | 897518-01131 | 1 | LOCKING TOOL | | | |
| 65 | | 895112-00330 | 1 | SPANNER 8*10 | | | |
| 66 | | 895410-08030 | 1 | WRENCH, W/S. DRIVER | | Sus. by X602-000020 | |
| 66 | | X602-000020 | 1 | TOOL,WRENCH | 17*19 L200 | | |

8. Handle

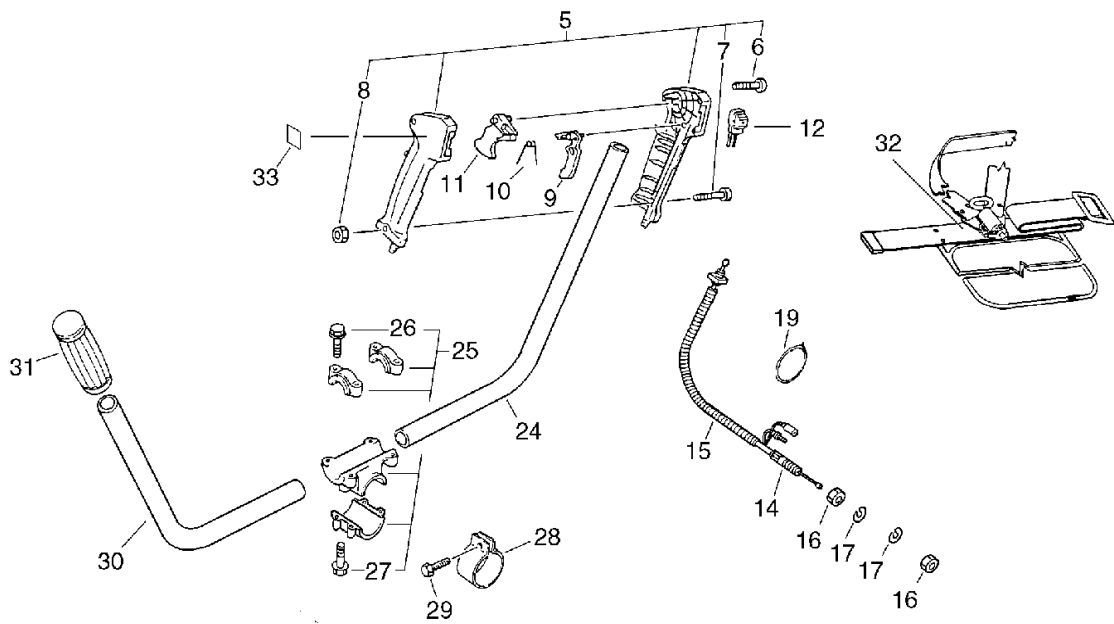
No.8



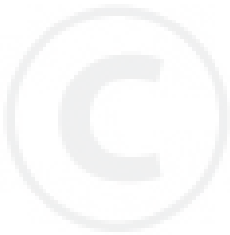
| KEY | LV | PART NUMBER | Q'TY | DESCRIPTION | REMARKS | NOTE1 | NOTE2 |
|-----|----|--------------|------|----------------------|-----------|----------------------|-------|
| 5 | | 351102-47530 | 1 | GRIP ASSY, F-HANDLE | | | |
| 6 | + | 900246-03025 | 4 | SCREW 3*25 | 3*25 | | |
| 7 | + | 900220-05030 | 1 | SCREW 5*30 | 5*30 | | |
| 8 | + | 900500-00005 | 1 | NUT 5 | 5 | | |
| 9 | | 178012-05960 | 1 | LOCKOUT, THROTTLE | | | |
| 10 | | 178013-35631 | 1 | SPRING, THR. LOCK | | | |
| 11 | | 178010-05960 | 1 | CONTROL, THROTTLE | | | |
| 12 | | 163401-43130 | 1 | SWITCH, IGNITION | | | |
| 14 | | 178001-43230 | 1 | WIRE, THROTTLE | | | |
| 15 | | 178127-43230 | 1 | TUBE | 7*820 | | |
| 16 | | 900502-00006 | 2 | NUT 6 (3N) | 3N6 | | |
| 17 | | 900605-00006 | 2 | WASHER, SPRING 6 | 6 | | |
| 19 | | 178121-43230 | 2 | BAND | CV-150 BL | | |
| 24 | | 351110-43230 | 1 | HANDLE, FRONT | | | |
| 25 | | 351301-43230 | 1 | BRACKET ASSY HNDL/BS | | | |
| 26 | + | 900142-05025 | 4 | BOLT 5*25 (W/W,SW) | 5*25 | | |
| 27 | + | 900142-05030 | 4 | BOLT 5*30 (W/W,SW) | 5*30 | | |
| 28 | | 351642-08130 | 1 | BAND | | | |
| 29 | | 900100-06014 | 1 | BOLT 6*14 | 6*14 | | |
| 30 | | 351610-08130 | 1 | HANDLE, FRONT | | | |
| 31 | | 351311-02330 | 1 | GRIP, HANDLE | | | |
| 32 | | 301300-24830 | 1 | HARNESS ASSY | | Sus. by 301001-52130 | |
| 32 | | 301300-24831 | 1 | HARNESS ASSY | | Sus. by 301001-52130 | |
| 32 | | 301001-52130 | 1 | HARNESS, SHOULDER | | | |

8. Handle

No.8

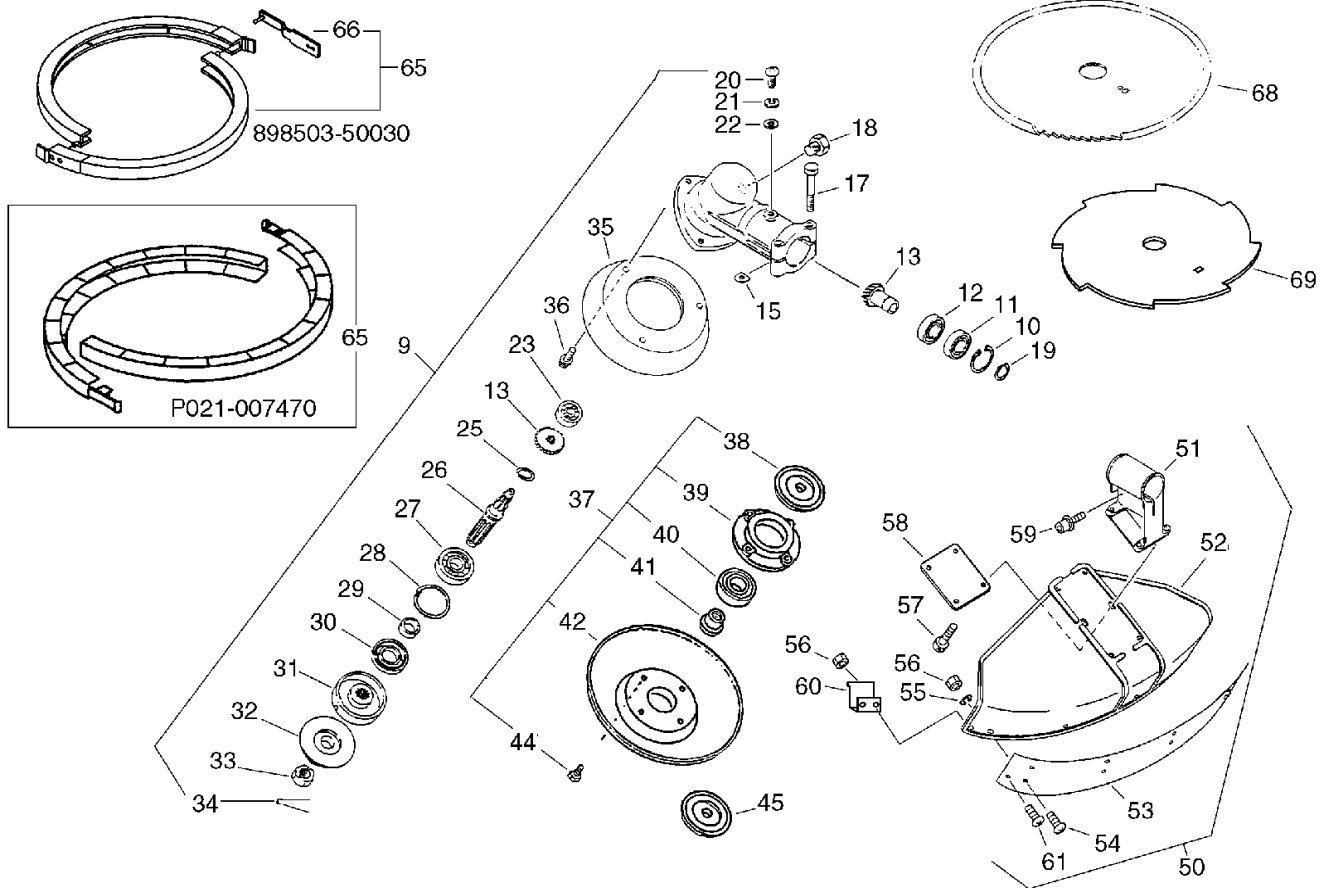


| KEY | LV | PART NUMBER | Q'TY | DESCRIPTION | REMARKS | NOTE1 | NOTE2 |
|-----|----|--------------|------|---------------|---------|--------|-------|
| 33 | | 890157-39130 | 1 | LABEL, SWITCH | | Disuse | |



9. Gear Case, Shield, Blade

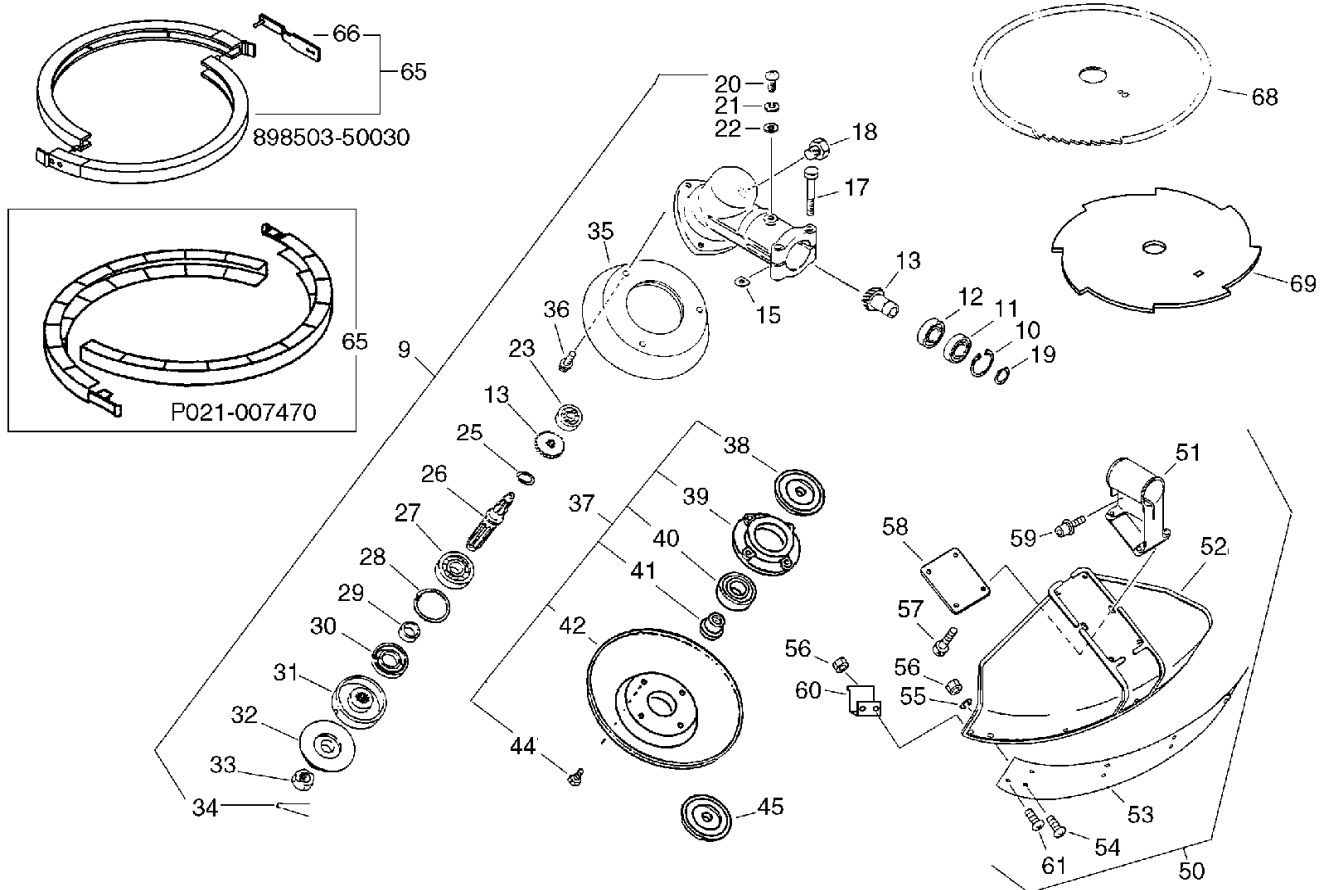
No.9



| KEY | LV | PART NUMBER | Q'TY | DESCRIPTION | REMARKS | NOTE1 | NOTE2 |
|-----|----|--------------|------|--------------------|-----------|----------------------|-------|
| 9 | | 610400-40430 | 1 | HOUSING ASSY, GEAR | | Sus. by 610400-40433 | |
| 9 | | 610400-40431 | 1 | CASE ASY, GEAR | | Sus. by 610400-40433 | |
| 9 | | 610400-40433 | 1 | CASE ASY, GEAR | | | |
| 10 | + | 900702-00028 | 1 | CIRCLIP 28 | CR-28 | | |
| 11 | + | 900807-06001 | 1 | BEARING, BALL 6001 | 6001V(LB) | | |
| 12 | + | 900800-06001 | 1 | BEARING, BALL 6001 | 6001 | | |
| 13 | + | 610300-40430 | 1 | GEAR SET | | | |
| 15 | + | 610239-04130 | 2 | WASHER, SHIM | | | |
| 17 | + | 900142-05030 | 2 | BOLT 5*30 (W/W,SW) | 5*30 | | |
| 18 | + | 610434-50030 | 1 | BOLT 8* 6 | | Sus. by 610434-50031 | |
| 18 | + | 610434-50031 | 1 | BOLT 8* 8 | M8*8 | | |
| 19 | + | 900701-00012 | 1 | CIRCLIP 12 | CS-12 | | |
| 20 | + | 900220-05010 | 1 | SCREW 5*10 | 5*10 | | |
| 21 | + | 900605-00005 | 1 | WASHER, SPRING 5 | 5 | | |
| 22 | + | 900600-00005 | 1 | WASHER 5 | 5 | | |
| 23 | + | 900800-36000 | 1 | BEARING, BALL 6000 | 6000/C3 | | |
| 25 | + | 900706-00012 | 1 | CIRCLIP 12 | WR-12 | | |
| 26 | + | 610310-07130 | 1 | SHAFT, P.T.O. | | | |
| 27 | + | 900810-06201 | 1 | BEARING, BALL 6201 | 6201 | | |
| 28 | + | 900702-00032 | 1 | CIRCLIP 32 | CR-32 | | |
| 29 | + | 610315-07130 | 1 | SPACER | | | |
| 30 | + | 610413-07130 | 1 | OILSEAL | | | |

9. Gear Case, Shield, Blade

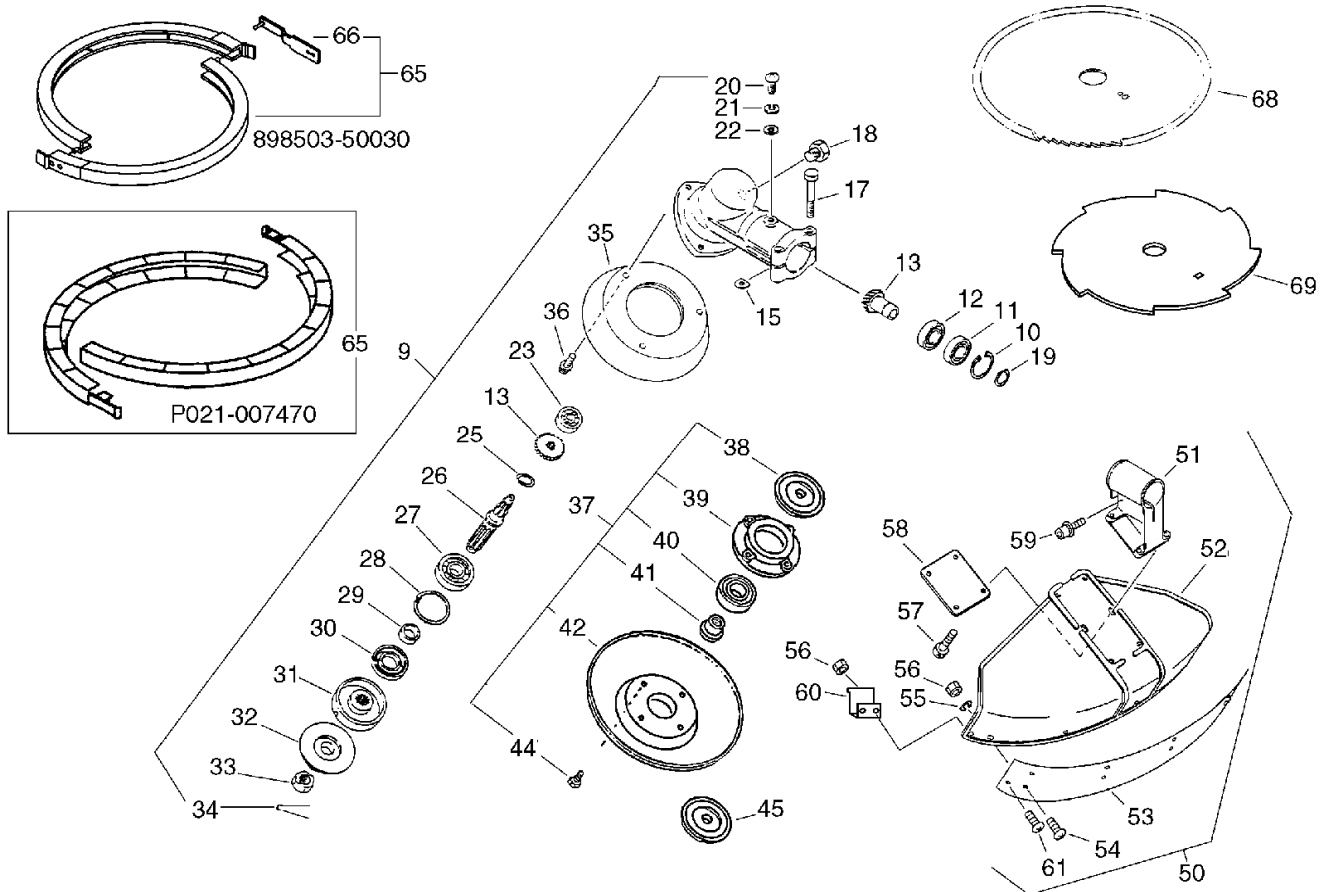
No.9



| KEY | LV | PART NUMBER | Q'TY | DESCRIPTION | REMARKS | NOTE1 | NOTE2 |
|-----|----|--------------|------|--------------------|------------|----------------------|-------|
| 31 | + | 610313-07130 | 1 | PLATE, ADAPTER (U) | PD 25.4 | Sus. by 610313-07132 | |
| 31 | + | 610313-07131 | 1 | PLATE, ADAPTER (U) | PD 25.4 | Sus. by 610313-07132 | |
| 31 | + | 610313-07132 | 1 | PLATE, ADAPTER (U) | | | |
| 32 | + | 610314-07130 | 1 | PLATE, ADAPTER (L) | | | |
| 33 | + | 900511-00010 | 1 | NUT 10 (L-H) | 10*P1.25 | | |
| 34 | + | 900300-20022 | 1 | PIN, SPLIT 2*22 | 2*22 | | |
| 35 | + | 610443-21232 | 1 | PLATE, GUARD | | Sus. by C536-000030 | |
| 35 | + | C536-000030 | 1 | COVER,GEAR CASE | | | |
| 36 | + | 900238-05020 | 3 | SCREW 5*20 | 5*20 | | |
| 37 | | 699200-07131 | 1 | CUP ASSY, FREE | | | |
| 38 | + | 610333-07130 | 1 | PLATE, ADAPTER (L) | | | |
| 39 | + | 699226-05430 | 1 | HOLDER, BEARING | | | |
| 40 | + | 900814-06202 | 1 | BEARING, BALL 6202 | 6202ZZ | | |
| 41 | + | 699227-04630 | 1 | NUT | | | |
| 42 | + | 699228-08930 | 1 | PLATE, COVER | | | |
| 44 | + | 900141-05012 | 4 | BOLT 5*12 | 5*12 | | |
| 45 | | 610336-07131 | 1 | PLATE, ADAPTER (L) | | | |
| 50 | | 699001-50430 | 1 | SHIELD ASSY | | | |
| 51 | + | 699011-43130 | 1 | BRACKET, SHIELD | | | |
| 52 | + | 699010-54430 | 1 | SHIELD, BLADE | | | |
| 53 | + | 699013-52130 | 1 | PLATE, SHIELD | | | |
| 54 | + | 900242-05018 | 4 | SCREW 5*18 | 5*18 | | |
| 55 | + | 900603-00005 | 4 | WASHER 5 | 5.5*12*0.8 | | |

9. Gear Case, Shield, Blade

No.9



| KEY | LV | PART NUMBER | Q'TY | DESCRIPTION | REMARKS | NOTE1 | NOTE2 |
|-----|----|--------------|------|----------------------|------------------|----------------------------------|-------|
| 56 | + | 900500-00005 | 6 | NUT 5 | 5 | | |
| 57 | + | 900242-05014 | 4 | SCREW 5*14 | 5*14 | | |
| 58 | + | 699015-52130 | 1 | PLATE, SHIELD | | | |
| 59 | + | 900142-05025 | 2 | BOLT 5*25 (W/W,SW) | 5*25 | | |
| 60 | + | 699016-52130 | 1 | KNIFE, CORD | | Sus. by 699016-54530 | |
| 60 | + | 699016-54530 | 1 | KNIFE | | | |
| 61 | + | 900242-05012 | 2 | SCREW 5*12 | 5*12 | | |
| 65 | | 898503-50030 | 1 | SCABBARD KIT, BLADE | | Sus. by P021-007470 | |
| 65 | | P021-007470 | 1 | SCABBARD.BLADE | | | |
| 66 | + | 898562-43230 | 1 | FIXTURE, SCABBARD | | Can be used on 898503-50030 only | |
| 68 | | 695001-55630 | 1 | SAW,CIRCULAR 10*80T | | Sus. by 695001-55631 | |
| 68 | | 695001-55631 | 1 | SAW, CIRCULAR 10*80T | 255*80T*1.4 PD25 | | |
| 69 | | 696001-55630 | 1 | BLADE, 8-CUTTER 10IN | | Sus. by 696001-55631 | |
| 69 | | 696001-55631 | 1 | BLADE, 8-CUTTER 10IN | 255*8T*1.4 PD25 | | |

Index

| Patrs Number | Key No. | Patrs Number | Key No. | Patrs Number | Key No. |
|---------------------|----------------|---------------------|----------------|---------------------|----------------|
| 100000-43230 | 1 - 13 | 123149-26030 | 6 - 35 | 175018-42230 | 3 - 19 |
| 100000-43231 | 1 - 13 | 123172-26030 | 6 - 17 | 175046-06230 | 3 - 21 |
| 100011-43230 | 1 - 12 | 123173-07930 | 6 - 18 | 175048-03920 | 3 - 20 |
| 100012-12331 | 1 - 16 | 130016-06231 | 4 - 8 | 175049-03920 | 3 - 17 |
| 100012-27930 | 1 - 16 | 130016-06232 | 4 - 8 | 177200-43130 | 2 - 11 |
| 100013-00410 | 1 - 14 | 130016-42231 | 4 - 5 | 177202-41030 | 2 - 5 |
| 100014-17330 | 1 - 17 | 130017-43130 | 4 - 6 | 177214-41030 | 2 - 13 |
| 100015-00120 | 1 - 15 | 130021-47530 | 4 - 13 | 177215-43130 | 2 - 14 |
| 100100-43130 | 1 - 22 | 130021-51530 | 4 - 13 | 177218-40630 | 2 - 9 |
| 100142-12330 | 1 - 23 | 130307-47531 | 4 - 10 | 177220-40630 | 2 - 15 |
| 100200-42230 | 1 - 19 | 130307-47532 | 4 - 10 | 177226-01110 | 2 - 17 |
| 100212-27930 | 1 - 18 | 130307-47533 | 4 - 10 | 177227-05530 | 2 - 18 |
| 100213-02830 | 1 - 32 | 130310-06230 | 4 - 14 | 177227-42030 | 2 - 18 |
| 100215-02830 | 1 - 20 | 130313-06230 | 4 - 15 | 177228-11120 | 2 - 19 |
| 100242-42230 | 1 - 25 | 131004-08960 | 5 - 4 | 177234-40630 | 2 - 8 |
| 101010-42231 | 1 - 11 | 131004-46730 | 5 - 4 | 177236-40630 | 2 - 12 |
| 101011-47530 | 1 - 9 | 131010-43130 | 5 - 8 | 178001-43230 | 8 - 14 |
| 101511-42230 | 1 - 29 | 131010-46930 | 5 - 8 | 178010-05960 | 8 - 11 |
| 101514-42230 | 1 - 8 | 131010-46931 | 5 - 8 | 178012-05960 | 8 - 9 |
| 101534-42230 | 1 - 28 | 131016-40930 | 5 - 5 | 178013-35631 | 8 - 10 |
| 123000-47532 | 4 - 9 | 131016-55830 | 5 - 5 | 178121-43230 | 8 - 19 |
| 123000-47532 | 6 - | 131051-52430 | 5 - 6 | 178127-43230 | 8 - 15 |
| 123110-03930 | 6 - 34 | 131205-19830 | 5 - 17 | 301001-52130 | 8 - 32 |
| 123112-15030 | 6 - 29 | 131300-49930 | 5 - 13 | 301200-06230 | 7 - 7 |
| 123113-47530 | 6 - 15 | 131300-56430 | 5 - 13 | 301207-05630 | 7 - 8 |
| 123114-03930 | 6 - 23 | 131328-40630 | 5 - 12 | 301224-06230 | 7 - 9 |
| 123114-38830 | 6 - 23 | 131910-43130 | 5 - 10 | 301300-24830 | 8 - 32 |
| 123116-10530 | 6 - 24 | 131923-11120 | 5 - 7 | 301300-24831 | 8 - 32 |
| 123117-05020 | 6 - 16 | 131924-43130 | 5 - 9 | 351102-47530 | 8 - 5 |
| 123118-40430 | 6 - 21 | 132010-43130 | 5 - 15 | 351110-43230 | 8 - 24 |
| 123119-22130 | 6 - 20 | 132013-26630 | 5 - 14 | 351301-43230 | 8 - 25 |
| 123120-47530 | 6 - 19 | 145510-42231 | 5 - 20 | 351311-02330 | 8 - 31 |
| 123121-22130 | 6 - 22 | 145610-47530 | 5 - 22 | 351610-08130 | 8 - 30 |
| 123122-47530 | 6 - 8 | 145866-43131 | 5 - 25 | 351642-08130 | 8 - 28 |
| 123123-03930 | 6 - 7 | 145867-47530 | 5 - 26 | 610011-06230 | 7 - 5 |
| 123124-24430 | 6 - 31 | 145871-43130 | 5 - 28 | 610203-43130 | 7 - 25 |
| 123125-15030 | 6 - 30 | 156112-40630 | 3 - 8 | 610205-43130 | 7 - 25 |
| 123126-10631 | 6 - 14 | 156601-12920 | 3 - 9 | 610206-43130 | 7 - 13 |
| 123127-03930 | 6 - 10 | 156626-42230 | 3 - 9 | 610239-04130 | 9 - 15 |
| 123130-02960 | 6 - 1 | 156635-43130 | 3 - 12 | 610300-40430 | 9 - 13 |
| 123133-06320 | 6 - 33 | 156801-42230 | 3 - 13 | 610310-07130 | 9 - 26 |
| 123134-04260 | 6 - 32 | 159011-03432 | 3 - 6 | 610313-07130 | 9 - 31 |
| 123137-04260 | 6 - 9 | 159012-03433 | 3 - 7 | 610313-07131 | 9 - 31 |
| 123138-03930 | 6 - 6 | 159017-10230 | 3 - 5 | 610313-07132 | 9 - 31 |
| 123139-03930 | 6 - 5 | 159905-43130 | 1 - 6 | 610314-07130 | 9 - 32 |
| 123140-03930 | 6 - 4 | 162021-42230 | 3 - 11 | 610315-07130 | 9 - 29 |
| 123141-03930 | 6 - 3 | 163401-43130 | 8 - 12 | 610333-07130 | 9 - 38 |
| 123142-03930 | 6 - 2 | 175005-43130 | 7 - 29 | 610336-07131 | 9 - 45 |
| 123146-10631 | 6 - 28 | 175009-42231 | 3 - 18 | 610400-40430 | 9 - 9 |

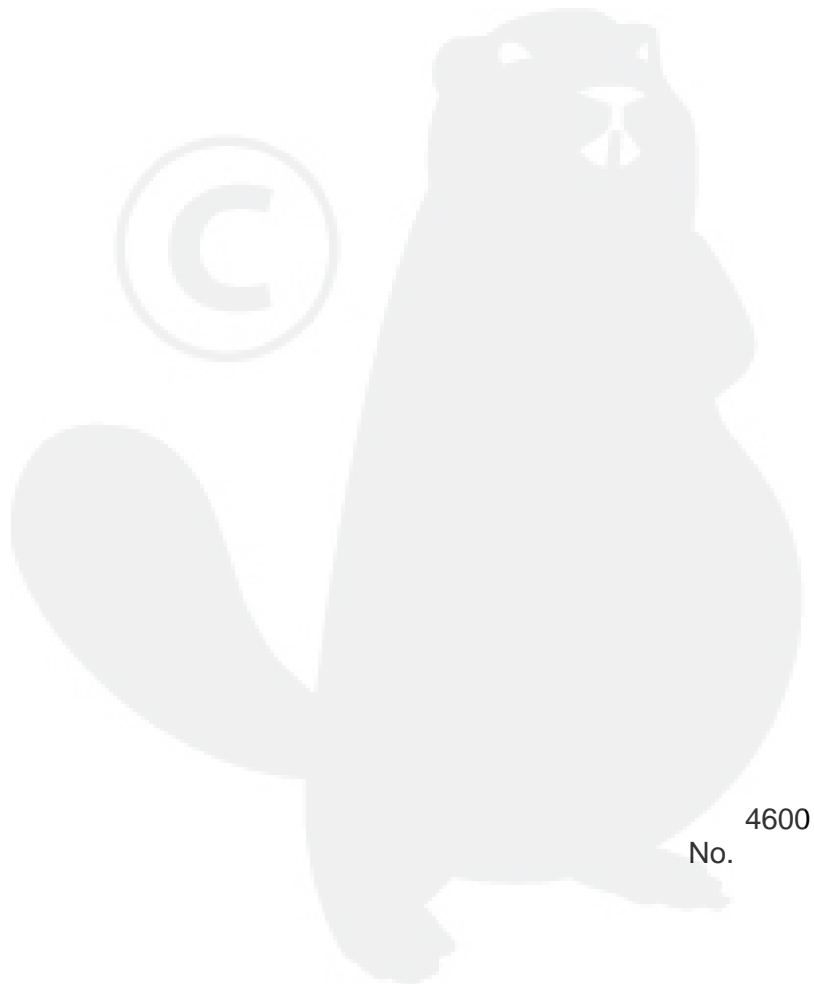
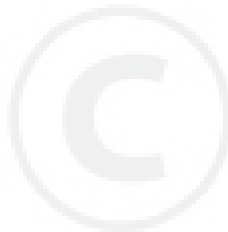
Index

| Patrs Number | Key No. | Patrs Number | Key No. | Patrs Number | Key No. |
|---------------------|----------------|---------------------|----------------|---------------------|----------------|
| 610400-40431 | 9 - 9 | 900162-04020 | 2 - 20 | 900800-36000 | 9 - 23 |
| 610400-40433 | 9 - 9 | 900162-05020 | 1 - 10 | 900807-06001 | 7 - 27 |
| 610413-07130 | 9 - 30 | 900162-05020 | 5 - 23 | 900807-06001 | 9 - 11 |
| 610434-50030 | 9 - 18 | 900162-05020 | 7 - 24 | 900810-06201 | 9 - 27 |
| 610434-50031 | 9 - 18 | 900162-05025 | 1 - 30 | 900810-36201 | 1 - 21 |
| 610443-21232 | 9 - 35 | 900162-05025 | 4 - 7 | 900810-36202 | 1 - 24 |
| 610910-40430 | 7 - 23 | 900162-05030 | 1 - 26 | 900814-06202 | 9 - 40 |
| 610910-51830 | 7 - 23 | 900220-05010 | 9 - 20 | 94035-36201 | 1 - 21 |
| 610922-40430 | 7 - 21 | 900220-05030 | 8 - 7 | A051-000170 | 2 - 11 |
| 610922-43130 | 7 - 21 | 900238-04008 | 4 - 17 | C536-000030 | 9 - 35 |
| 610922-55630 | 7 - 22 | 900238-04010 | 1 - 27 | P021-007470 | 9 - 65 |
| 610923-40430 | 7 - 22 | 900238-04010 | 5 - 27 | V307-000050 | 1 - 17 |
| 695001-55630 | 9 - 68 | 900238-05010 | 1 - 7 | X602-000020 | 7 - 66 |
| 695001-55631 | 9 - 68 | 900238-05010 | 3 - 23 | | |
| 696001-55630 | 9 - 69 | 900238-05014 | 1 - 5 | | |
| 696001-55631 | 9 - 69 | 900238-05014 | 5 - 11 | | |
| 699001-50430 | 9 - 50 | 900238-05014 | 5 - 29 | | |
| 699010-54430 | 9 - 52 | 900238-05020 | 3 - 10 | | |
| 699011-43130 | 9 - 51 | 900238-05020 | 9 - 36 | | |
| 699013-52130 | 9 - 53 | 900242-05012 | 9 - 61 | | |
| 699015-52130 | 9 - 58 | 900242-05014 | 7 - 11 | | |
| 699016-52130 | 9 - 60 | 900242-05014 | 9 - 57 | | |
| 699016-54530 | 9 - 60 | 900242-05018 | 9 - 54 | | |
| 699200-07131 | 9 - 37 | 900246-03025 | 8 - 6 | | |
| 699226-05430 | 9 - 39 | 900300-20022 | 9 - 34 | | |
| 699227-04630 | 9 - 41 | 900500-00005 | 4 - 4 | | |
| 699228-08930 | 9 - 42 | 900500-00005 | 8 - 8 | | |
| 890112-43230 | 1 - 33 | 900500-00005 | 9 - 56 | | |
| 890118-49330 | 2 - 21 | 900502-00006 | 8 - 16 | | |
| 890121-21430 | 4 - 16 | 900502-00008 | 2 - 10 | | |
| 890157-39130 | 8 - 33 | 900503-00010 | 3 - 16 | | |
| 890169-47530 | 4 - 18 | 900511-00010 | 9 - 33 | | |
| 890617-43130 | 7 - 6 | 900600-00005 | 9 - 22 | | |
| 890617-46830 | 7 - 6 | 900600-00006 | 3 - 22 | | |
| 895112-00330 | 7 - 65 | 900600-00010 | 3 - 14 | | |
| 895410-08030 | 7 - 66 | 900603-00005 | 9 - 55 | | |
| 895610-00130 | 7 - 61 | 900605-00005 | 4 - 12 | | |
| 897518-01131 | 7 - 64 | 900605-00005 | 9 - 21 | | |
| 898502-01130 | 7 - 63 | 900605-00006 | 8 - 17 | | |
| 898503-50030 | 9 - 65 | 900605-00010 | 3 - 15 | | |
| 898562-43230 | 9 - 66 | 900700-00004 | 2 - 6 | | |
| 900100-06014 | 8 - 29 | 900701-00012 | 7 - 26 | | |
| 900141-05012 | 9 - 44 | 900701-00012 | 9 - 19 | | |
| 900142-05025 | 7 - 20 | 900702-00028 | 7 - 28 | | |
| 900142-05025 | 7 - 20 | 900702-00028 | 9 - 10 | | |
| 900142-05025 | 8 - 26 | 900702-00032 | 9 - 28 | | |
| 900142-05025 | 9 - 59 | 900702-00035 | 1 - 31 | | |
| 900142-05030 | 8 - 27 | 900706-00012 | 9 - 25 | | |
| 900142-05030 | 9 - 17 | 900800-06001 | 9 - 12 | | |

YAMABIKO CORPORATION

7-2 SUEHIROCHO 1-CHOME, OHME, TOKYO 198-8760, JAPAN
PHONE: 81-428-32-6118. FAX: 81-428-32-6145.

ECHO[®]



4600
No.