



# **PARTS CATALOG**

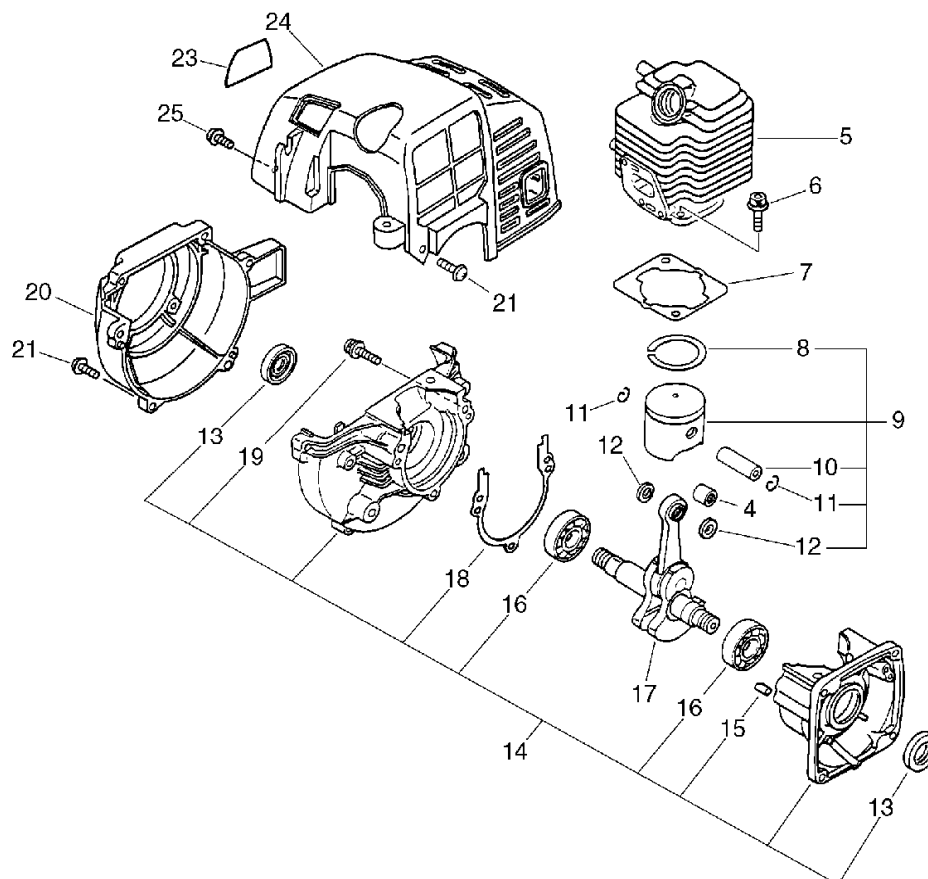
## **GRASS-TRIMMER / BRUSHCUTTER**

**SRM-2450**

SRM-2450

# 1. Cylinder, Crankcase, Piston, Fan Cover

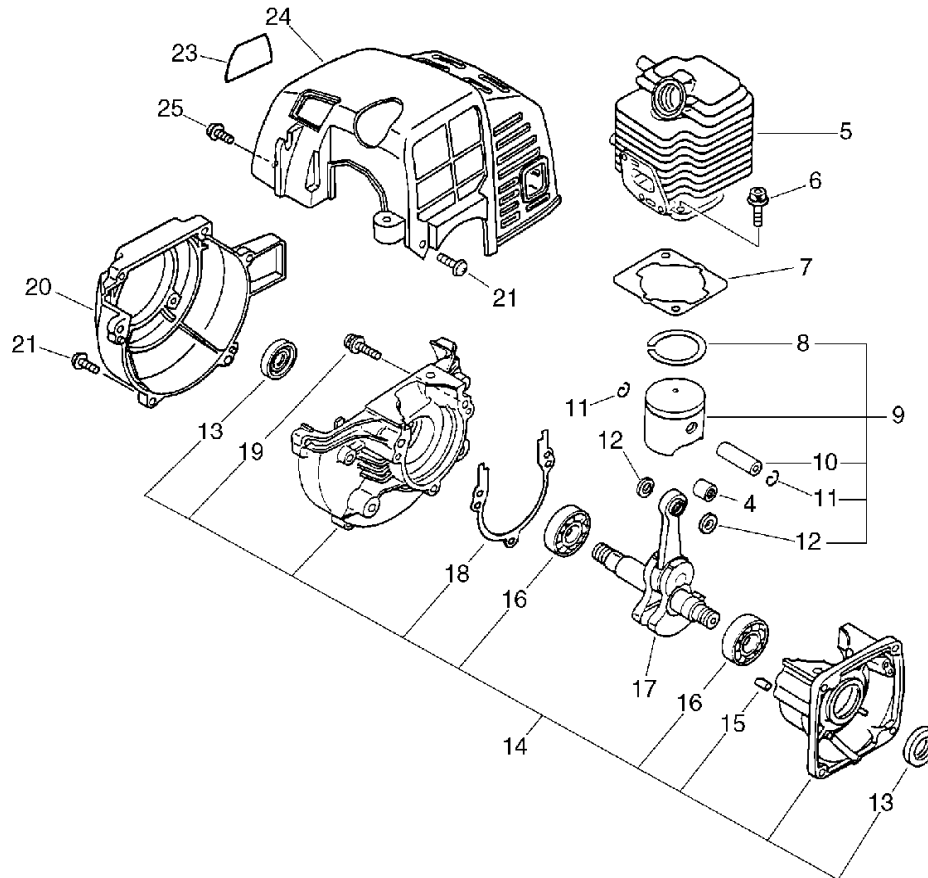
No.1



KEY	LV	PART NUMBER	Q'TY	DESCRIPTION	REMARKS	NOTE1	NOTE2
5		101011-09560	1	CYLINDER			
6		900162-05022	2	BOLT, H.S. 5*22	5*22 W,SW		
7		101010-44332	1	GASKET, CYL. BASE			
9		100000-52130	1	PISTON KIT			
8	+	100011-21230	1	RING, PISTON			
10	+	100013-11520	1	PIN, PISTON			
11	+	100015-04630	2	CIRCLIP, PISTON PIN			
12	+	100014-11520	2	SPACER, PISTON PIN			
14		100204-51030	1	CRANKCASE KIT		Sr/Nr 024070 and before	
14		100204-52130	1	CRANKCASE KIT		Sus. by 100204-52132	
14		100204-52131	1	CRANKCASE KIT		Sus. by 100204-52132	
14		100204-52132	1	CRANKCASE KIT		Sr/Nr 024071 and after	
13	+	100212-42030	2	OILSEAL	ISCD12*22*4.5	Sus. by 100212-42031	
13	+	100212-42031	2	OILSEAL	ISCD 12*22*4.5		
15	+	100215-03930	2	PIN, DOWEL			
16	+	900810-36201	2	BEARING, BALL 6201	6201/C3	Sus. by 94035-36201	
16	+	94035-36201	2	BEARING BALL	6201X3JR2C3		
18	+	100242-42030	1	GASKET, CRANKCASE			

# 1. Cylinder, Crankcase, Piston, Fan Cover

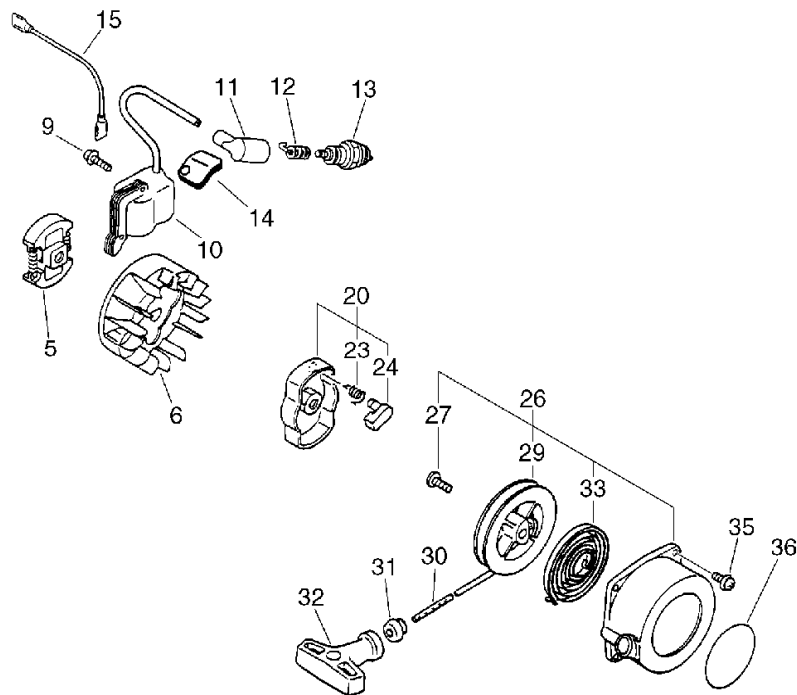
## No.1



KEY	LV	PART NUMBER	Q'TY	DESCRIPTION	REMARKS	NOTE1	NOTE2
19	+	900242-05028	3	SCREW 5*28	5*28	Sus. by 900162-05028	
19	+	900162-05028	3	BOLT, H.S. 5*28	5*28 W,SW		
17		100100-52131	1	CRANKSHAFT ASSY		Sus. by A011-000002	
17		A011-000110	1	CRANKSHAFT,ASM		Sus. by A011-000002	
17		A011-000111	1	CRANKSHAFT,ASM		Sus. by A011-000002	
17		A011-000002	1	CRANKSHAFT,ASM			
4	+	100012-51230	1	BEARING, NEEDLE	8*12*10	Sus. by V553-000010	
4	+	V553-000010	1	BEARING,NEEDLE 8	HK0810		
20		101511-44730	1	COVER, FAN (BS)			
21		900238-04016	6	SCREW 4*16	4*16		
23		890518-52130	1	LABLE, MODEL			
24		101514-42030	1	COVER, CYLINDER		Sus. by 101514-42031	
24		101514-42031	1	COVER, CYLINDER			
25		900238-04012	2	SCREW 4*12	4*12		

## 2. Starter, Magneto, Clutch

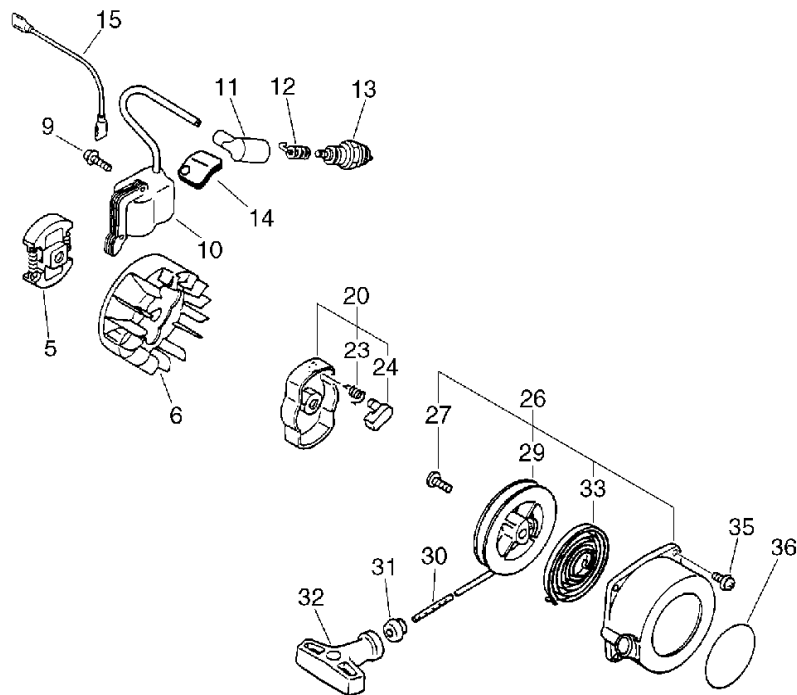
No.2



KEY	LV	PART NUMBER	Q'TY	DESCRIPTION	REMARKS	NOTE1	NOTE2
5		175000-42031	1	CLUTCH ASSY		Sus. by 175000-56830	
5		175000-49030	1	CLUTCH ASSY		Sus. by 175000-56830	
5		175000-56830	1	CLUTCH ASSY			
6		156801-44730	1	FLYWHEEL		Sus. by 156801-44731	
6		156801-44731	1	FLYWHEEL		Sus. by 156801-44731	
6		156801-12360	1	ROTOR, MAGNETO		Sus. by 156801-44731	
6		156801-44731	1	FLYWHEEL			
9		900238-04022	2	SCREW 4*22	4*22		
10		156601-44730	1	COIL, IGNITION		Sus. by set of 156601-52130 and 162010-52830	
10		156601-44731	1	COIL, IGNITION		Sus. by set of 156601-52130 and 162010-52830	
10		156601-52130	1	COIL, IGNITION			
11		159012-01620	1	CAP, SPARK PLUG			
12		159011-03432	1	COIL, SPARK PLUG			
13		159017-10230	1	PLUG, SPARK (RCJ-7Y)	RCJ-7Y		
14		150112-42030	1	BUSHING			

**2. Starter, Magneto, Clutch**

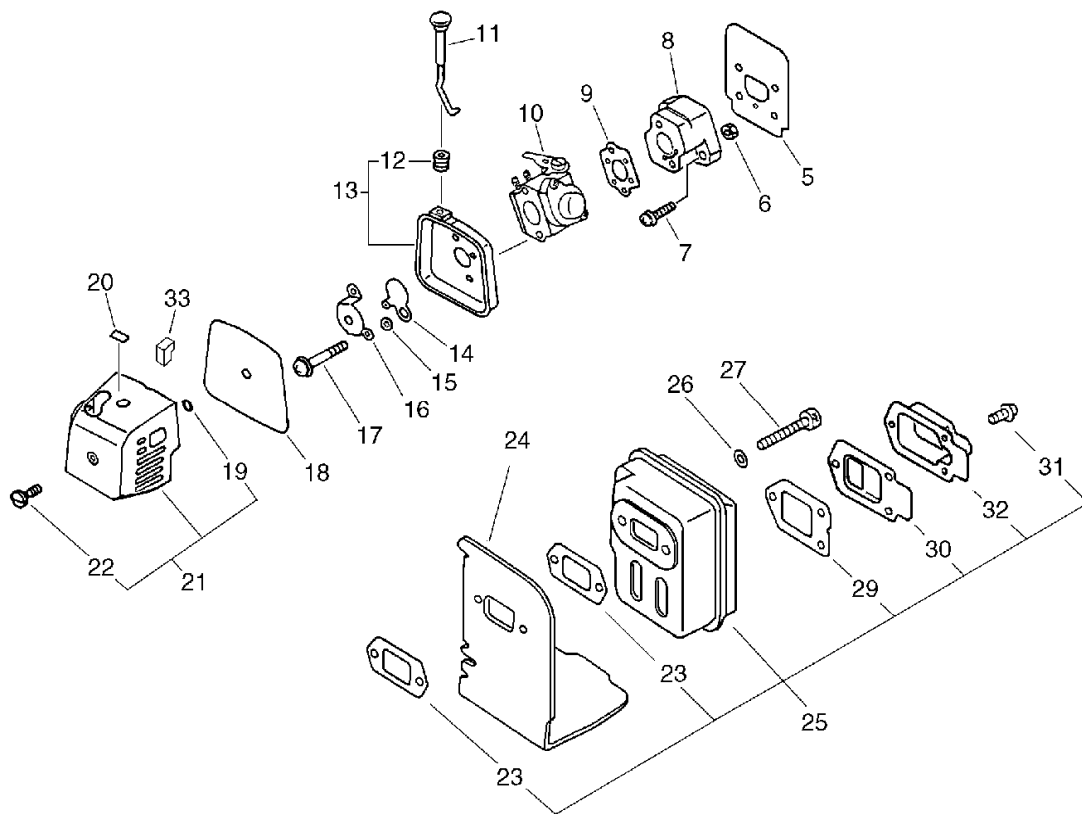
No.2



KEY	LV	PART NUMBER	Q'TY	DESCRIPTION	REMARKS	NOTE1	NOTE2
15		162010-52830	1	LEAD, GROUND			
20		177202-44330	1	PAWL ASSY, STARTER		Sus. by 177202-44331	
20		177202-44331	1	PAWL ASM., STARTER			
23	+	177234-42030	1	SPRING, RETURN		Sus. by 177234-12220	
23	+	177234-12220	1	SPRING, PAWL			
24	+	177218-44330	1	PAWL, STARTER	BLACK		
26		177200-42032	1	STARTER ASSY		Sus. by 177200-42033	
26		177200-42033	1	STARTER ASSY			
27	+	177236-44330	1	SCREW			
29	+	177215-42030	1	DRUM, STARTER		Sus. by 177215-44430	
29	+	177215-44430	1	DRUM, STARTER			
30	+	177226-10120	1	ROPE, STARTER	3.0*1000		
31	+	177227-42030	1	GUIDE, ROPE			
32	+	177228-06530	1	GRIP, STARTER			
33	+	177220-42030	1	SPRING, REWIND			
35		900238-04016	2	SCREW 4*16	4*16		
36		890118-44330	1	LABEL, ECHO			

### 3. Air Cleaner, Muffler

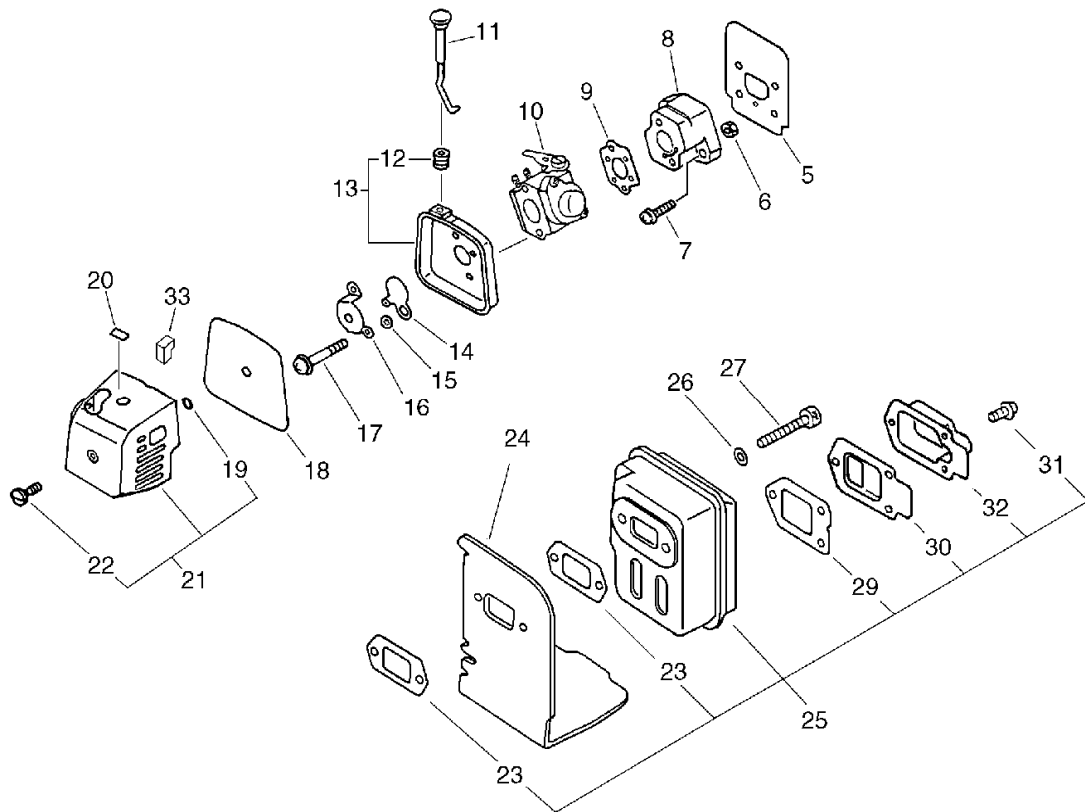
No.3



KEY	LV	PART NUMBER	Q'TY	DESCRIPTION	REMARKS	NOTE1	NOTE2
5		130010-42032	1	GASKET,INTAKE			
6		900500-00005	2	NUT 5	5		
7		900238-05020	2	SCREW 5*20	5*20		
8		130017-42031	1	INSULATOR, INTAKE			
9		130016-42031	1	GASKET, INTAKE			
10		125200-52131	1	CARBURETOR ASSY	C1U-K23B	Sus. by 125200-52433	
10		125200-52430	1	CARBURETOR ASSY	C1U-K53	Sus. by 125200-52433	
10		125200-52431	1	CARBURETOR	C1U-K53	Sus. by 125200-52433	
10		125200-52432	1	CARBURETOR	C1U-K53A	Sus. by 125200-52433	
10		125200-52433	1	CARBURETOR	C1U-K53B		
11		178510-48830	1	ROD, CHOKE			
13		130301-04560	1	CASE, AIR CLEANER			
12	+	178810-05230	1	GROMMET			
14		178515-04560	1	SHUTTER, CHOKE			
15		178516-00830	1	SPACER	5.2*8*0.8T		
16		130410-44730	1	BRACKET, AIR CLEANER			
17		900242-05057	2	SCREW 5*57	5*57		
18		130310-04560	1	FILTER, AIR			
20		890121-47530	1	LABEL, CHOKE			
21		130302-50630	1	COVER ASSY, AIR CLN.			
19	+	900720-00004	1	O-RING (P-4)	P-4		
22	+	130415-40630	1	SCREW			

## 3. Air Cleaner, Muffler

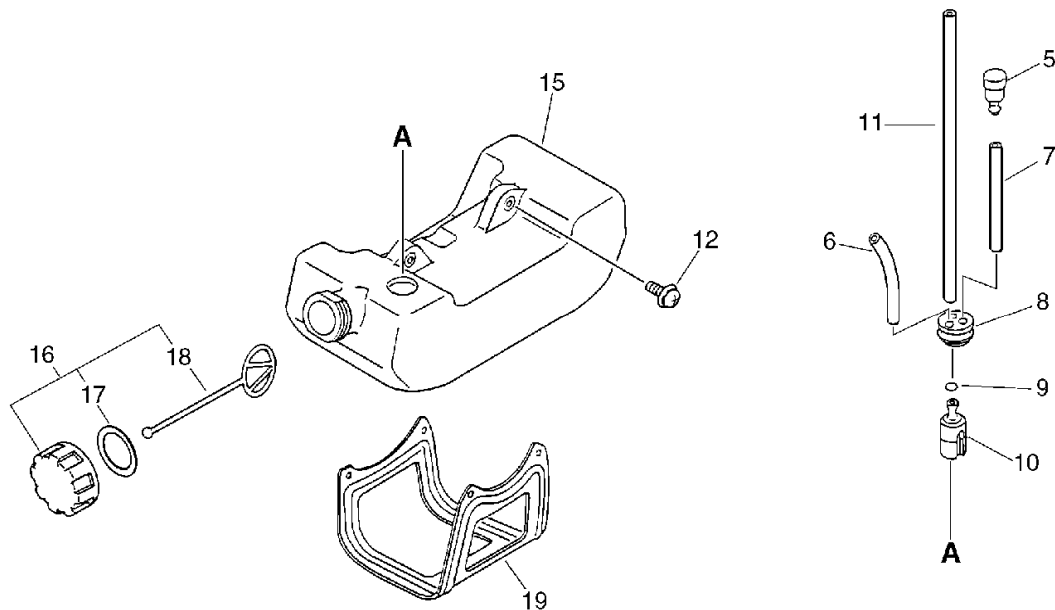
## No.3



KEY	LV	PART NUMBER	Q'TY	DESCRIPTION	REMARKS	NOTE1	NOTE2
25		145800-42031	1	MUFFLER ASSY		Sus. by 145800-42034	
25		145800-42032	1	MUFFLER ASY (SAM)		Sus. by 145800-42034	
25		145800-42033	1	MUFFLER ASY (SAM)		Sus. by 145800-42034	
25		145800-42034	1	MUFFLER ASY (SAM)			
23	+	145510-42031	2	GASKET, MUFFLER		Sus. by V104-000160	
23	+	V104-000160	2	GASKET, EXHAUST			
24	+	145871-44331	1	COVER, MUFFLER		Sus. by A320-000251	
24	+	145631-42030	1	COVER, MUFFLER		Sus. by A320-000251	
24	+	A320-000250	1	COVER, MUFFLER		Sus. by A320-000251	
24	+	A320-000251	1	COVER, MUFFLER			
29	+	145866-42031	1	GASKET, MUFFLER LID			
30	+	145876-42030	1	LID, MUFFLER (B)			
31	+	900238-04010	3	SCREW 4*10	4*10		
32	+	145863-42030	1	HOLDER, SCREEN			
26		900600-00005	2	WASHER 5	5		
27		900105-05055	2	BOLT, H.S. 5*55	5*55		
33		130336-52130	2	PLUG			

## 4. Fuel Tank

No.4

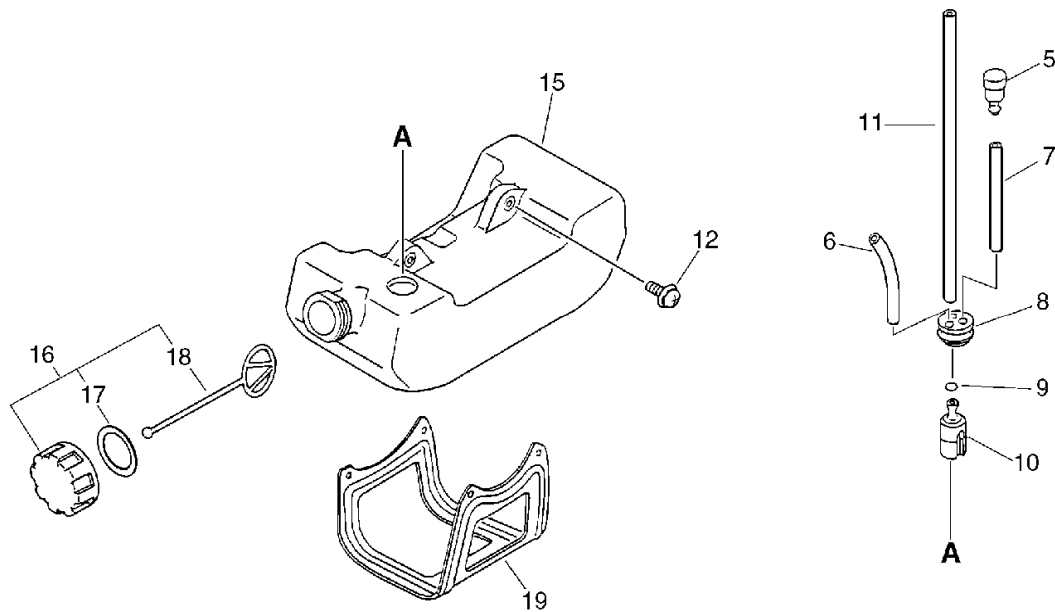


KEY	LV	PART NUMBER	Q'TY	DESCRIPTION	REMARKS	NOTE1	NOTE2
5		131300-49930	1	VALVE, CHECK		Sus. by 131300-56430	
5		131300-56430	1	VALVE, CHECK			
6		132012-51030	1	PIPE 3*5*90	3*5*90 ㇿニ=ㇿ	Sus. by 132010-56330	
6		132010-56330	1	PIPE 3*6*90	3*6*90 YL		
7		131312-44330	1	PIPE, 3*5*70L	3*5*70L NBR	Sus. by V471-001200	
7		V471-001200	1	PIPE	3*5*70 NBR		
8		132115-46730	1	GROMMET, FUEL			
9		132013-09820	1	CLIP	6MM		
10		131205-07320	1	STRAINER, FUEL			
11		132010-13930	1	PIPE, FUEL	3*5*180L NBR	Sus. by V471-001190	
11		V471-001190	1	PIPE	3*5*180 NBR		
12		900243-05016	2	SCREW 5*16	5*16		
15		131005-44430	1	TANK, FUEL		Sus. by 131005-44332	
15		131005-44431	1	TANK, FUEL		Sus. by 131005-44332	
15		131005-44331	1	TANK, FUEL		Sus. by 131005-44332	
15		131005-44332	1	TANK, FUEL			
16		131004-46730	1	CAP ASSY, FUEL TANK		Sus. by 131004-08960	
16		131004-08960	1	CAP ASSY, FUEL			



# 4. Fuel Tank

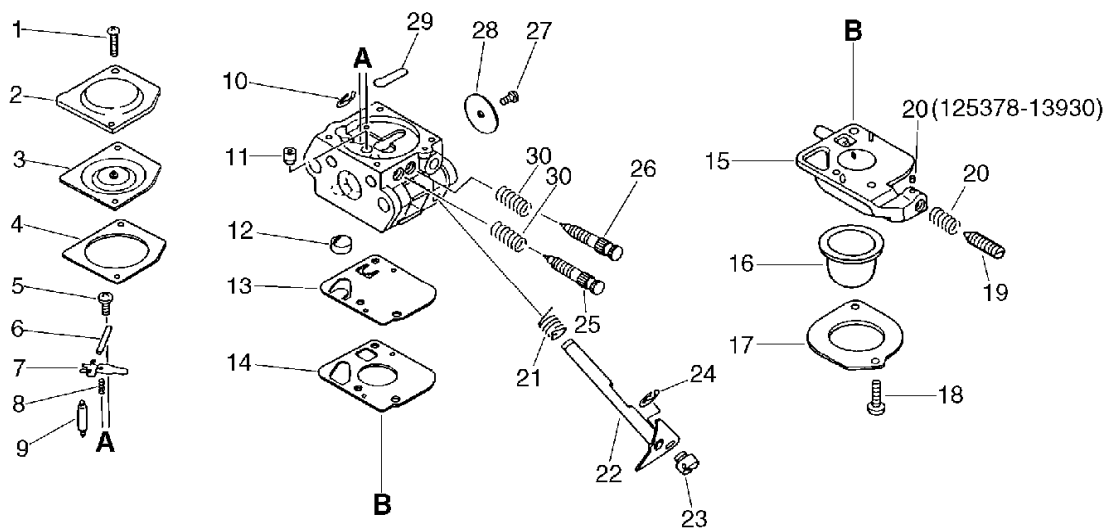
No.4



KEY	LV	PART NUMBER	Q'TY	DESCRIPTION	REMARKS	NOTE1	NOTE2
17	+	131016-40930	1	GASKET, FUEL CAP		Can be used on the 131004-46730 only	
17	+	131016-55830	1	GASKET, FUEL CAP		Can be used on the 131004-08960 only	
18	+	131051-52430	1	CONNECTOR, CAP	80L		
19		305110-42030	1	STAND (BL)			

# 5. Carburetor

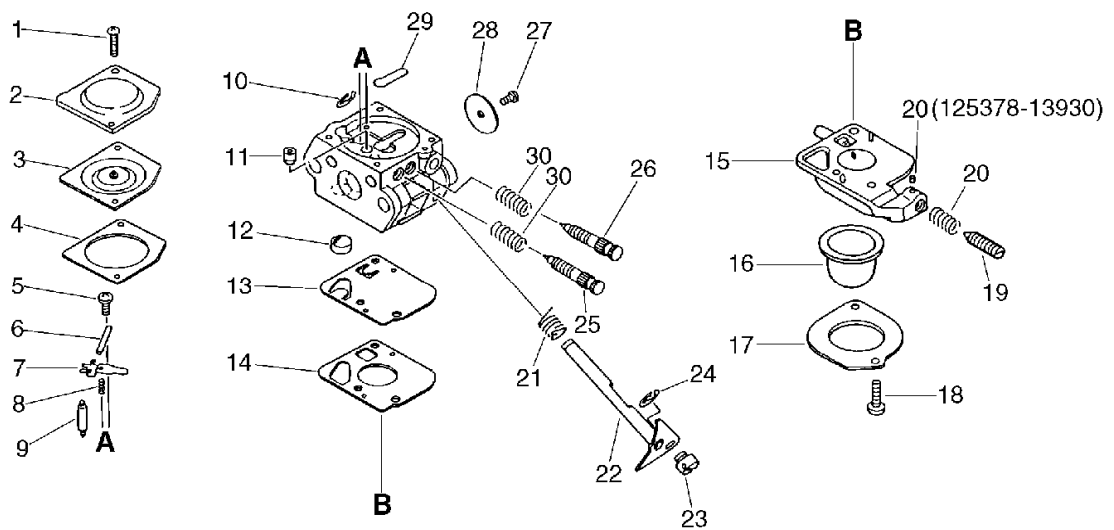
## No.5



KEY	LV	PART NUMBER	Q'TY	DESCRIPTION	REMARKS	NOTE1	NOTE2
		125200-52131	1	CARBURETOR ASSY	C1U-K23B	Sus. by 125200-52433	
		125200-52430	1	CARBURETOR ASSY	C1U-K53	Sus. by 125200-52433	
		125200-52431	1	CARBURETOR	C1U-K53	Sus. by 125200-52433	
		125200-52432	1	CARBURETOR	C1U-K53A	Sus. by 125200-52433	
		125200-52433	1	CARBURETOR	C1U-K53B		
1	+	125344-52130	2	SCREW			
2	+	125342-13210	1	COVER, DIAPHRAGM		Sus. by 125342-52130	
2	+	125342-52130	1	COVER, DIAPHRAGM			
3	+	125341-42030	1	DIAPHRAGM		Can be used on the 125200-52131 only	
3	+	125341-49030	1	DIAPHRAGM		Can be used on the 125200-52430 and 125200-52431	
4	+	125340-51030	1	GASKET, DIAPHRAGM			
5	+	125339-42030	1	SCREW			
6	+	125338-13930	1	PIN, METERING ARM			
7	+	125323-42030	1	LEVER, METERING			
8	+	125322-42030	1	SPRING, COIL		Sus. by 125322-11520	

## 5. Carburetor

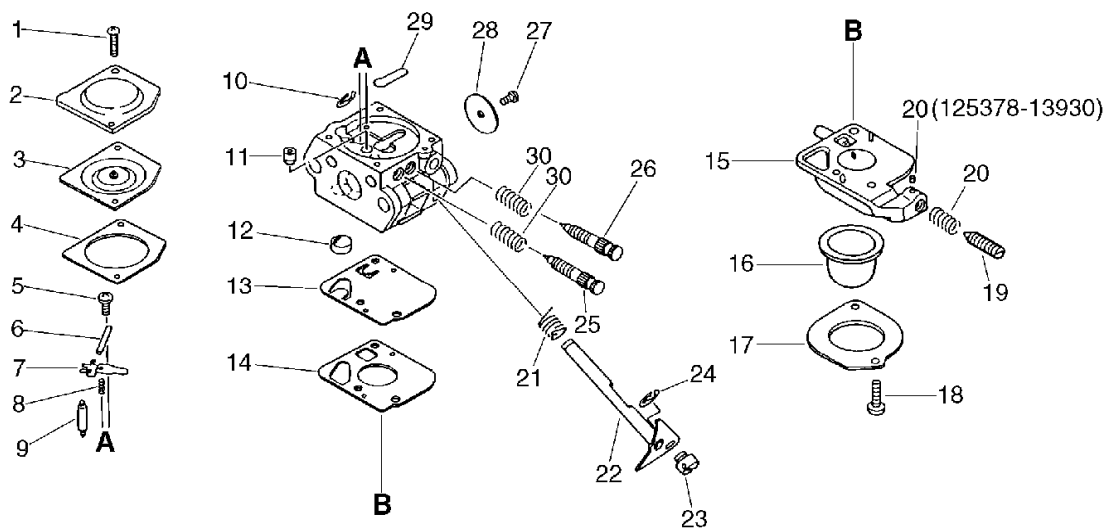
## No.5



KEY	LV	PART NUMBER	Q'TY	DESCRIPTION	REMARKS	NOTE1	NOTE2
8	+	125322-11520	1	SPRING, COIL			
9	+	125337-06960	1	VALVE, INLET NEEDLE			
10	+	125327-15130	1	CLIP			
11	+	125376-51030	1	NOZZLE, CHECK VALVE		Can be used on the 125200-52131 only	
11	+	125376-49030	1	NOZZLE, CHACK VALVE		Sus. by P005-001050	
11	+	P005-001050	1	NOZZLE, CHECK VALVE		Can not be used on the 125200-52131	
12	+	125326-42030	1	STRAINER			
13	+	125312-42030	1	DIAPHRAGM, FUEL PUMP		Can be used on the 125200-52131 only	
13	+	125312-12820	1	DIAPHRAGM, FUEL PUMP		Can be used on the 125200-52430 and 125200-52431	
14	+	125325-13310	1	GASKET, PUMP			
15	+	125324-11610	1	COVER, PUMP		Sus. by P005-000590	
15	+	125383-13310	1	BASE, PRIMER		Sus. by P005-000590	
15	+	P005-000590	1	BASE, ASY PRIMER			
16	+	125381-08660	1	PUMP, PRIMING			

## 5. Carburetor

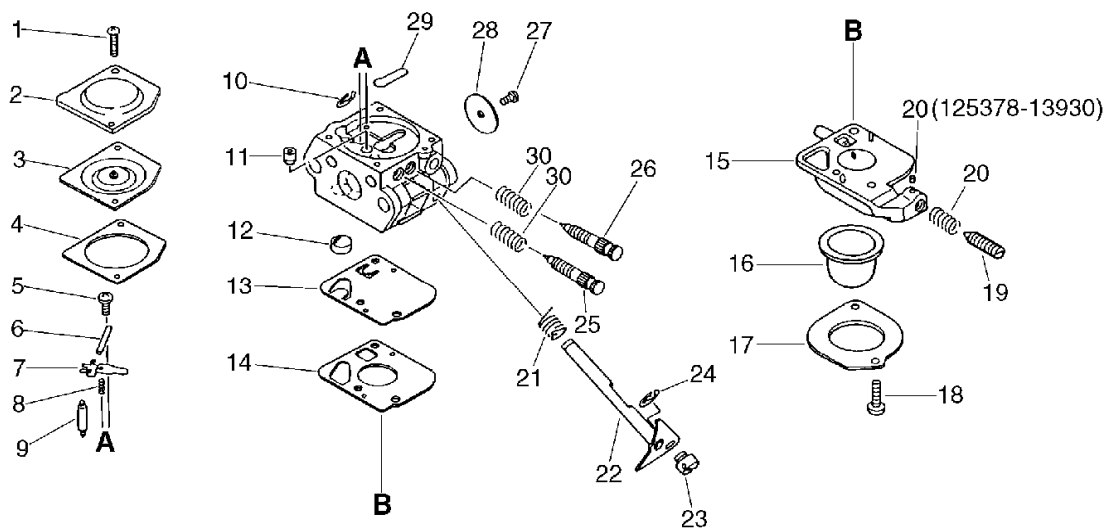
No.5



KEY	LV	PART NUMBER	Q'TY	DESCRIPTION	REMARKS	NOTE1	NOTE2
17	+	125363-11610	1	RING			
18	+	125310-11610	2	SCREW			
19	+	125334-13930	1	SCREW, IDLE ADJUST		Can be used on the 125200-52131 and 125200-52430	
19	+	125334-06960	1	SCREW, THROTTLE ADJUST		Can be used on the 125200-52431 only	
20	+	125378-13930	1	PIECE, FRICTION		Can be used on the 125200-52131 and 125200-52430	
20	+	125333-06960	1	SPRING, IDLE ADJUSTER		Can be used on the 125200-52431 only	
21	+	125313-42030	1	SPRING, THRT. RETURN			
22	+	125317-42030	1	SHAFT, THROTTLE		Can be used on the 125200-52131 only	
22	+	125317-49030	1	SHAFT, THROTTLE		Sus. by P005- 000390	
22	+	P005-000390	1	SHAFT, THROTTLE		Can be used on the 125200-52430 and 125200-52431	

## 5. Carburetor

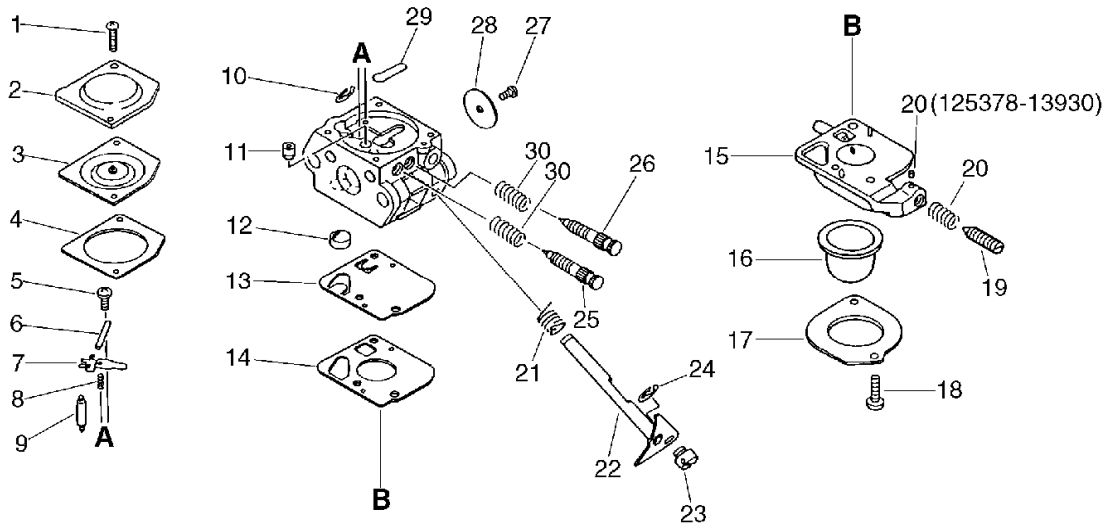
No.5



KEY	LV	PART NUMBER	Q'TY	DESCRIPTION	REMARKS	NOTE1	NOTE2
23	+	125372-42030	1	SWIVEL			
24	+	125327-13930	1	CLIP			
25	+	125320-51230	1	NEEDLE, HIGH SPEED		Can be used on the 125200-52131 only	
25	+	125320-52430	1	NEEDLE, HIGH SPEED		Can be used on the 125200-52430,1,2	
25	+	P005-001710	1	SCREW,MAINN MIXTURE		Can be used on the 125200-52433 only	
26	+	125318-51030	1	NEEDLE, IDLE		Can be used on the 125200-52131 only	
26	+	125318-52430	1	NEEDLE, IDLE		Can be used on the 125200-52430 and 125200-52431	
27	+	125314-13930	1	SCREW	3*4		
28	+	125316-42030	1	VALVE, THROTTLE		Can be used on the 125200-52131 only	
28	+	125316-49030	1	VALVE, THROTTLE		Can be used on the 125200-52430 and 125200-52431	

# 5. Carburetor

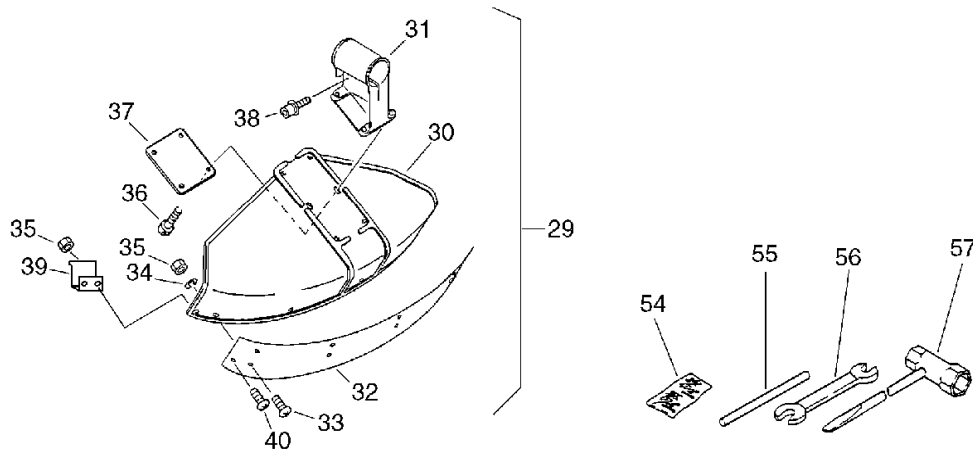
No.5



KEY	LV	PART NUMBER	Q'TY	DESCRIPTION	REMARKS	NOTE1	NOTE2
29	+	125345-51030	1	PLUG, WELCH		Can be used on the 125200-52131 only	
29	+	125345-15130	1	PLUG, WELCH		Can be used on the 125200-52430 and 125200-52431	
30	+	125319-42030	2	SPRING, COIL		Can be used on the 125200-52131 only	

## 6. Shield, Tools

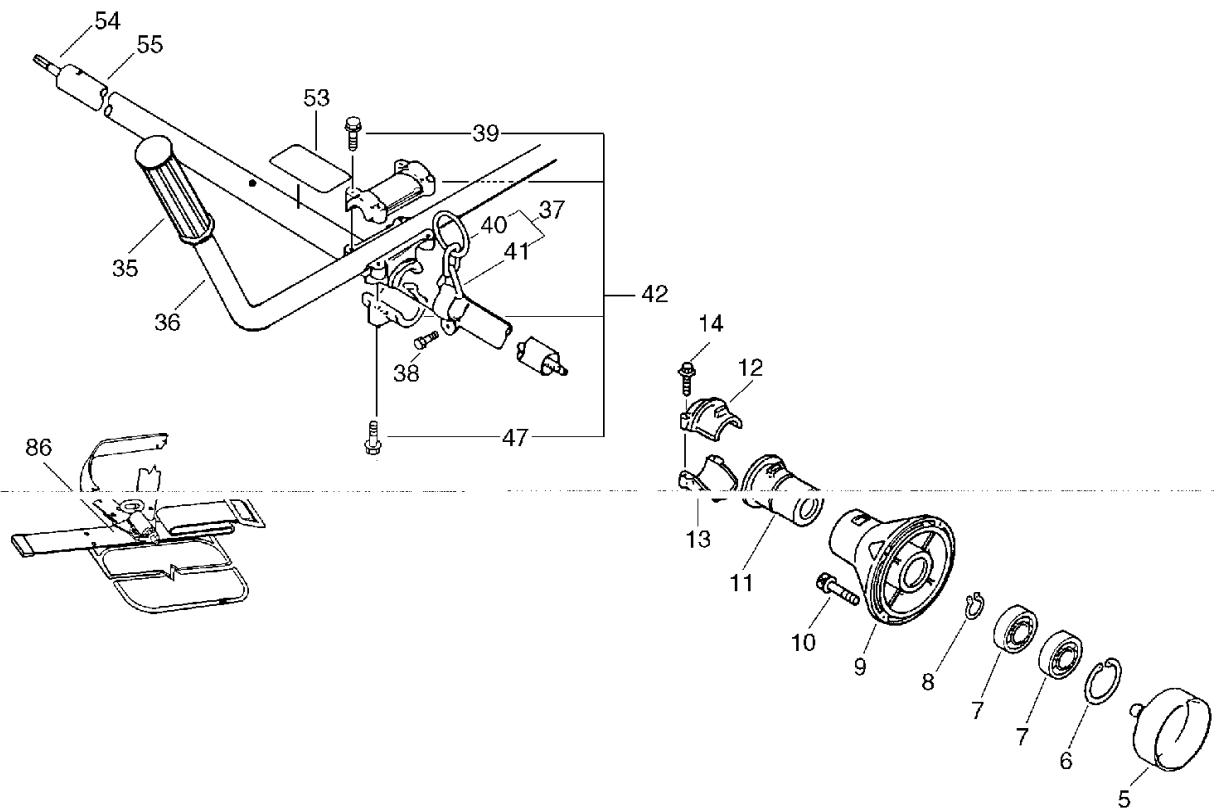
No.6



KEY	LV	PART NUMBER	Q'TY	DESCRIPTION	REMARKS	NOTE1	NOTE2
29		699001-44730	1	SHIELD, ASSY			
30	+	699010-54430	1	SHIELD, BLADE			
31	+	699011-27230	1	BRACKET, SHIELD			
32	+	699013-52130	1	PLATE, SHIELD			
33	+	900242-05018	4	SCREW 5*18	5*18		
34	+	900603-00005	4	WASHER 5	5.5*12*0.8		
35	+	900500-00005	6	NUT 5	5		
36	+	900242-05014	4	SCREW 5*14	5*14		
37	+	699015-52130	1	PLATE, SHIELD			
38	+	900142-05025	2	BOLT 5*25 (W/W,SW)	5*25		
39	+	699016-52130	1	KNIFE, CORD		Sus. by 699016-54530	
39	+	699016-54530	1	KNIFE			
40	+	900242-05012	2	SCREW 5*12	5*12		
54		898502-01130	1	PIN 2*22 (W/POUCH)			
55		897518-01131	1	LOCKING TOOL			
56		895112-00330	1	SPANNER 8*10			
57		895410-08030	1	WRENCH, W/S. DRIVER		Sus. by X602-000020	
57		X602-000020	1	TOOL,WRENCH	17*19 L200		

## 7. U-Handle

No.7

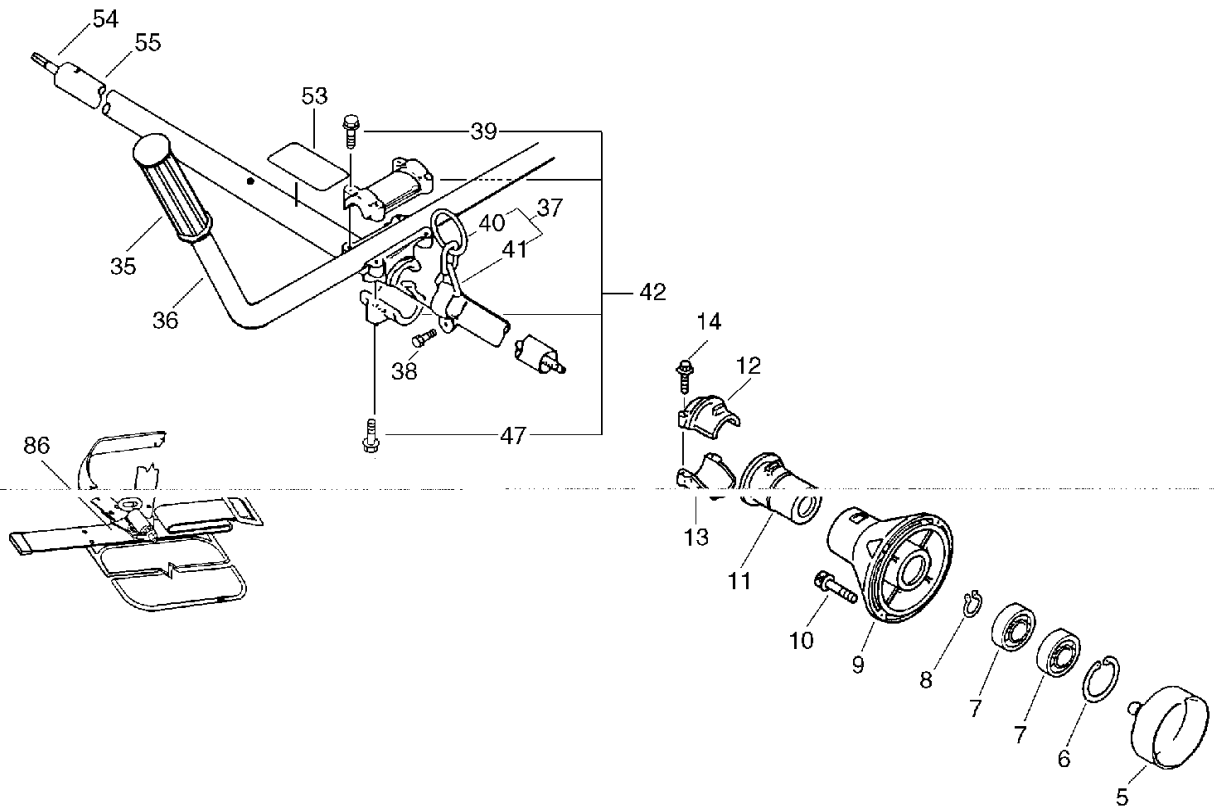


KEY	LV	PART NUMBER	Q'TY	DESCRIPTION	REMARKS	NOTE1	NOTE2
5		175005-47630	1	DRUM, CLUTCH			
6		900702-00028	1	CIRCLIP 28	CR-28		
7		900807-06001	2	BEARING, BALL 6001	6001V(LB)		
8		900701-00012	1	CIRCLIP 12	CS-12		
9		610223-44730	1	CASE, CLUTCH (BS)			
10		900238-05016	4	SCREW 5*16	5*16		
11		610910-27832	1	CUSHION			
12		610922-27432	1	HOLDER			
13		610923-27432	1	HOLDER			
14		900142-05025	2	BOLT 5*25 (W/W,SW)	5*25		
35		351311-02330	1	GRIP, HANDLE			
36		351210-05530	1	HANDLE, LEFT (SL)			
37		301200-21330	1	HOOK ASS'Y			
40	+	301015-05330	1	HOOK, BAND			
41	+	301205-21330	1	HOOK			
38	++	900100-05012	1	BOLT 5*12	5*12		
42		351301-09230	1	BRACKET ASS'Y, HNDL.		Sus. by P021-000460	
42		P021-000460	1	FIXTURE, ASY HANDLE			
39	+	900142-05025	4	BOLT 5*25 (W/W,SW)	5*25		
47	+	900142-06030	2	BOLT 6*30 (W/W,SW)	6*30		
53		890617-46830	1	LABEL, CAUTION		Sus. by 890617-43130	
53		890617-43130	1	LABEL, CAUTION			
54		610018-27830	1	SHAFT, DRIVE			
55		610206-28230	1	HOUSING ASS'Y D, SFT.			



# 7. U-Handle

No.7

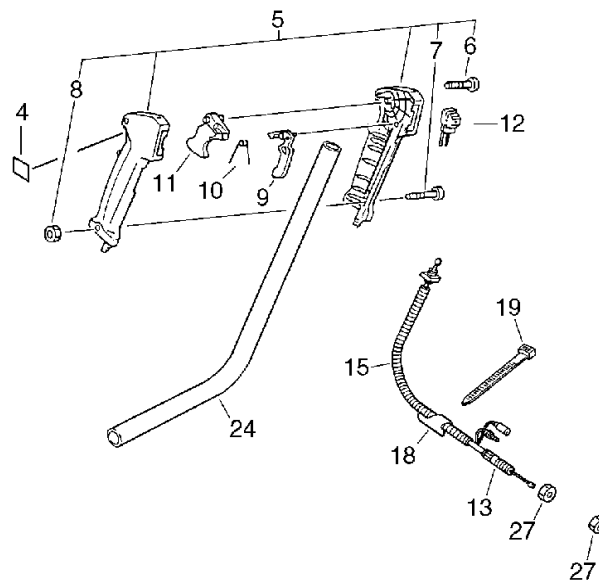


KEY	LV	PART NUMBER	Q'TY	DESCRIPTION	REMARKS	NOTE1	NOTE2
86		301000-44730	1	HARNES, SHOULDER			



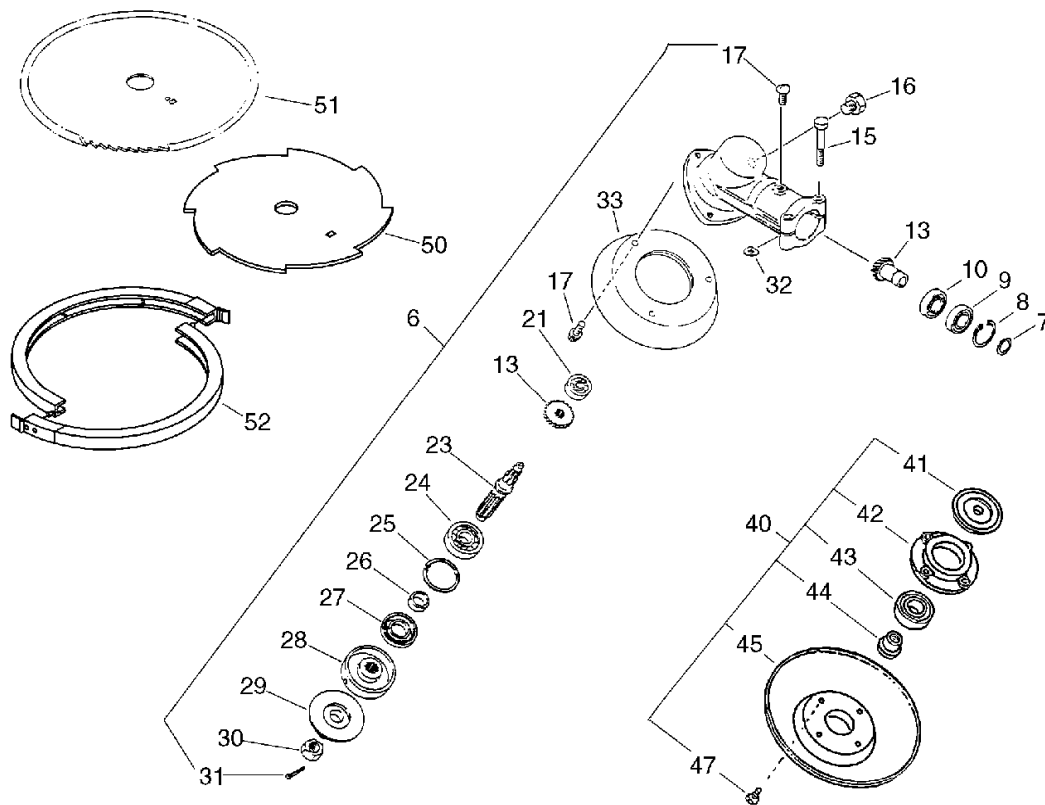
## 8. U-Handle(Throttle Part)

No.8



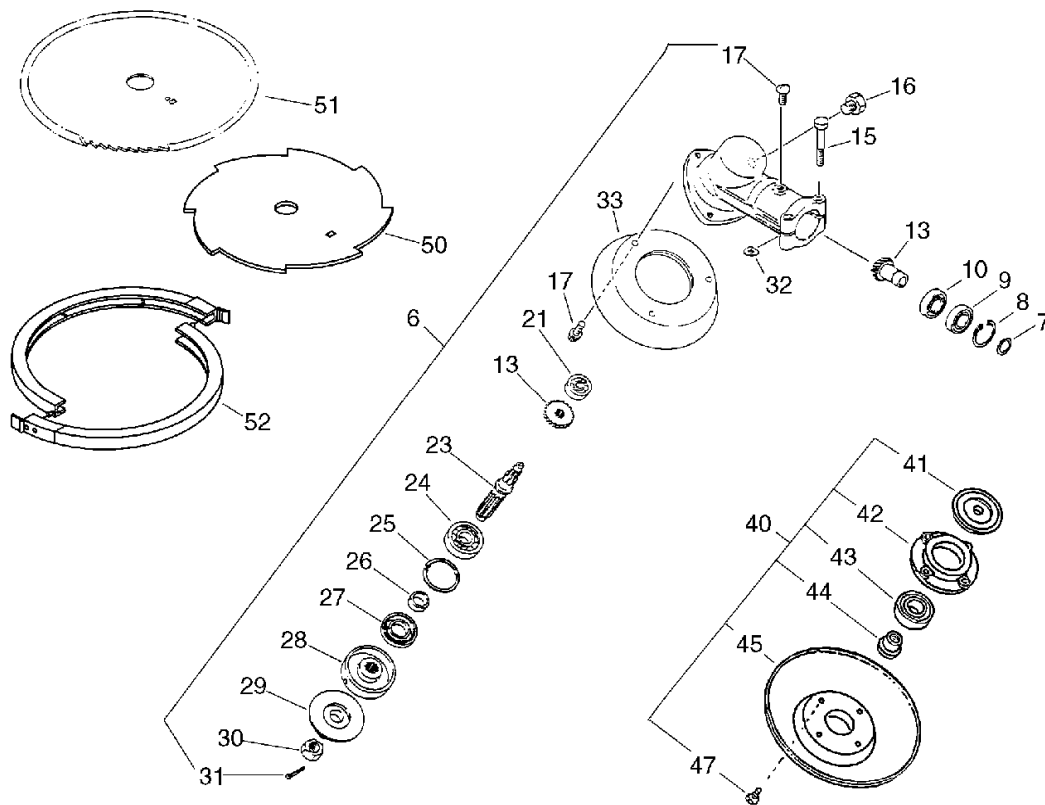
KEY	LV	PART NUMBER	Q'TY	DESCRIPTION	REMARKS	NOTE1	NOTE2
4		890157-39130	1	LABEL, SWITCH		Diuse	
5		351102-47530	1	GRIP ASSY, F-HANDLE			
6	+	900246-03025	4	SCREW 3*25	3*25		
7	+	900220-05030	1	SCREW 5*30	5*30		
8	+	900500-00005	1	NUT 5	5		
9		178012-05960	1	LOCKOUT, THROTTLE			
10		178013-35631	1	SPRING, THR. LOCK			
11		178010-05960	1	CONTROL, THROTTLE			
12		163401-49230	1	SWITCH, IGNITION			
13		178001-47530	1	WIRE, THROTTLE			
15		178127-47530	1	TUBE	7*10*760		
18		178111-04930	1	CLIP			
19		178121-43230	1	BAND	CV-150 BL		
24		351010-43130	1	HANDLE, FRONT			
27		900502-00006	2	NUT 6 (3N)	3N6		

## 9. Gear Case(U-Handle Type), Blade No.9



KEY	LV	PART NUMBER	Q'TY	DESCRIPTION	REMARKS	NOTE1	NOTE2
6		610400-41630	1	HOUSING ASSY, GEAR			
7	+	900706-00010	1	CIRCLIP 10	WR-10		
8	+	900702-00022	1	CIRCLIP 22	CR-22		
9	+	900858-06900	1	BEARING, BALL 6900Z	6900Z		
10	+	900855-06900	1	BEARING, BALL 6900	6900		
13	+	610300-40830	1	GEAR SET			
15	+	900142-05028	2	BOLT 5*28 (W/W,SW)	5*28		
16	+	610434-50030	1	BOLT 8* 6		Sus. by 610434-50031	
16	+	610434-50031	1	BOLT 8* 8	M8*8		
17	+	900242-05010	4	SCREW 5*10	5*10		
21	+	900810-00626	1	BEARING, BALL 626	626		
23	+	610310-40830	1	SHAFT, P.T.O.			
24	+	900800-06000	1	BEARING, BALL 6000	6000		
25	+	900702-00026	1	CIRCLIP 26	CR-26		
26	+	610315-22830	1	SPACER			
27	+	610413-22830	1	OILSEAL			
28	+	610313-22830	1	PLATE, ADAPTER (U)			
29	+	610314-27230	1	PLATE, ADAPTER			
30	+	900511-00010	1	NUT 10 (L-H)	10*P1.25		
31	+	900300-20022	1	PIN, SPLIT 2*22	2*22		
32	+	610239-04130	2	WASHER, SHIM			
33	+	610443-22830	1	PLATE, GUARD (WH)			
40		699200-08931	1	CUP ASSY, FREE			
41	+	610314-04631	1	PLATE, ADAPTER (L)			
42	+	699226-05430	1	HOLDER, BEARING			

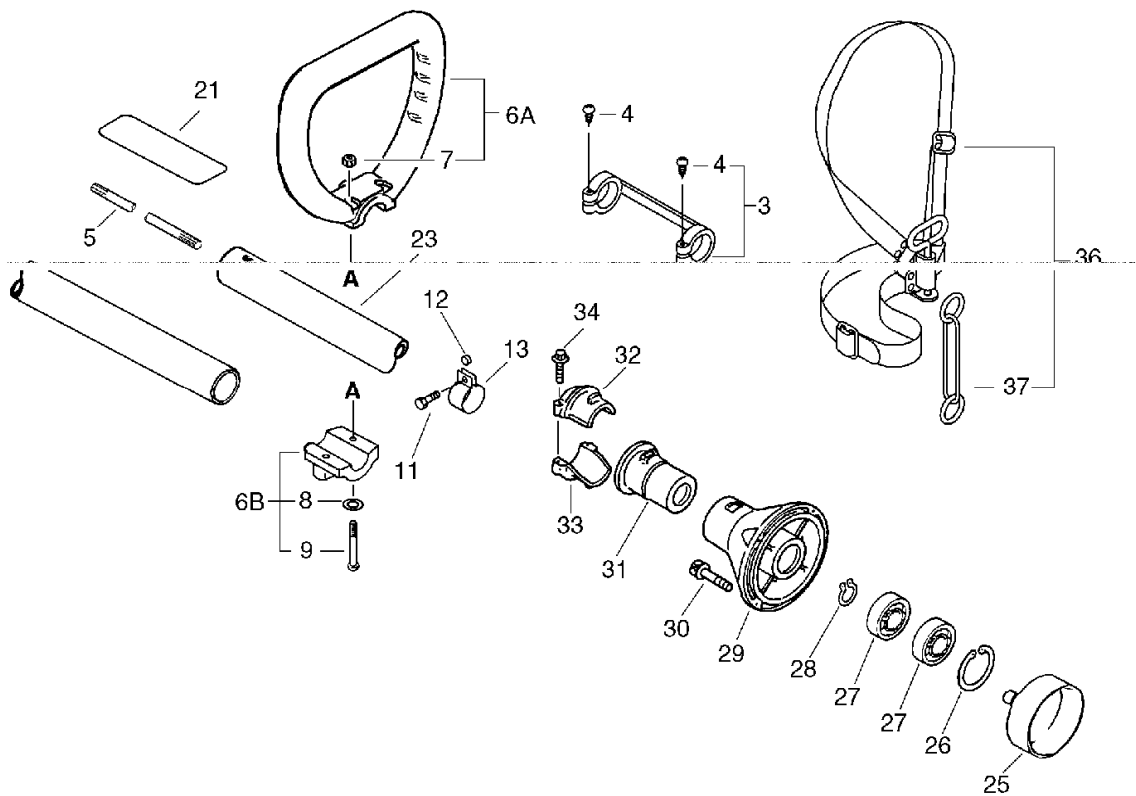
## 9. Gear Case(U-Handle Type), Blade No.9



KEY	LV	PART NUMBER	Q'TY	DESCRIPTION	REMARKS	NOTE1	NOTE2
43	+	900814-06202	1	BEARING, BALL 6202	6202ZZ		
44	+	699227-04630	1	NUT			
45	+	699228-08930	1	PLATE, COVER			
47	+	900141-05012	4	BOLT 5*12	5*12		
50		696001-27230	1	BLADE, 8-CUTTER 9"		Sus. by 696001-44731	
50		696001-44730	1	BLADE,8-CUTTER 9IN		Sus. by 696001-44731	
50		696001-44731	1	BLADE, 8-CUTTER 9IN	230*8T*1.4 PD25		
51		695001-27230	1	SAW,CIRCULAR 9*80P		Sus. by 695001-44731	
51		695001-44730	1	SAW,CIRCULAR 9*80T		Sus. by 695001-44731	
51		695001-44731	1	SAW, CIRCULAR 9*80T	230*80P*1.4 PD25		
52		898523-50030	1	SCABBARD, BLADE		Sus. by P021-007470	
52		898523-47130	1	SCABBARD, BLADE		Sus. by P021-007470	
52		P021-007470	1	SCABBARD, BLADE			

## 10. Loop Handle

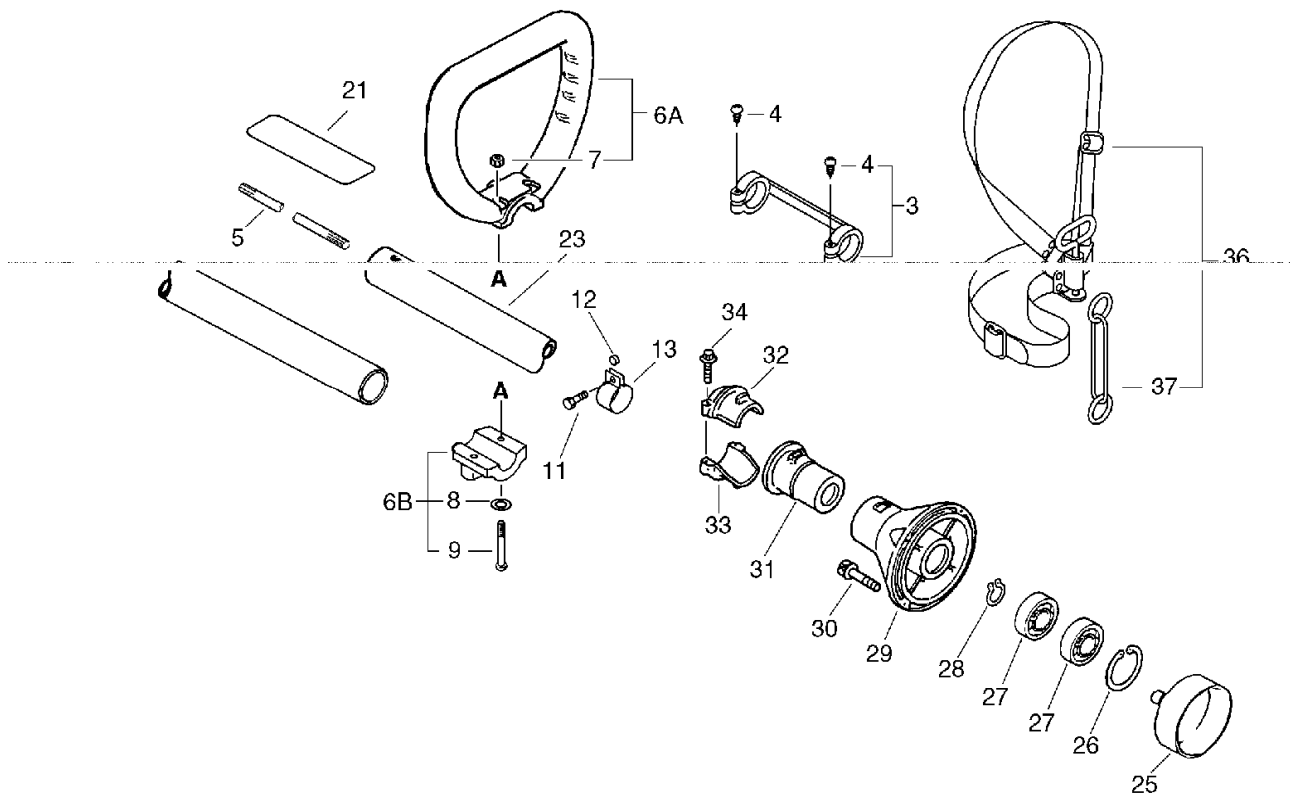
No.10



KEY	LV	PART NUMBER	Q'TY	DESCRIPTION	REMARKS	NOTE1	NOTE2
3		610281-46730	1	COLLER			
4	+	900253-04025	2	SCREW 4*25	4*25		
5		610018-27830	1	SHAFT, DRIVE			
6		351201-08930	1	HANDLE ASSY, LOOP			
7	+	900500-00005	2	NUT 5	5		
8	+	900600-00005	2	WASHER 5	5		
9	+	900220-05040	2	SCREW 5*40	5*40		
11		900100-05018	1	BOLT 5*18	5*18		
12		699012-03330	1	SPACER			
13		301207-08930	1	HOOK			
21		890177-46730	1	LABEL, CAUTION		Sus. by 890617-43130	
21		890617-63630	1	LABEL, CAUTION		Sus. by 890617-43130	
21		X505-000140	1	LABEL, CAUTION		Sus. by 890617-43130	
21		890617-43130	1	LABEL, CAUTION			
23		610206-28230	1	HOUSING ASSY D, SFT.			
25		175005-47630	1	DRUM, CLUTCH			
26		900702-00028	1	CIRCLIP 28	CR-28		
27		900807-06001	2	BEARING, BALL 6001	6001V(LB)		
28		900701-00012	1	CIRCLIP 12	CS-12		
29		610223-44730	1	CASE, CLUTCH (BS)			
30		900238-05016	4	SCREW 5*16	5*16		
31		610910-27832	1	CUSHION			
32		610922-27432	1	HOLDER			

# 10. Loop Handle

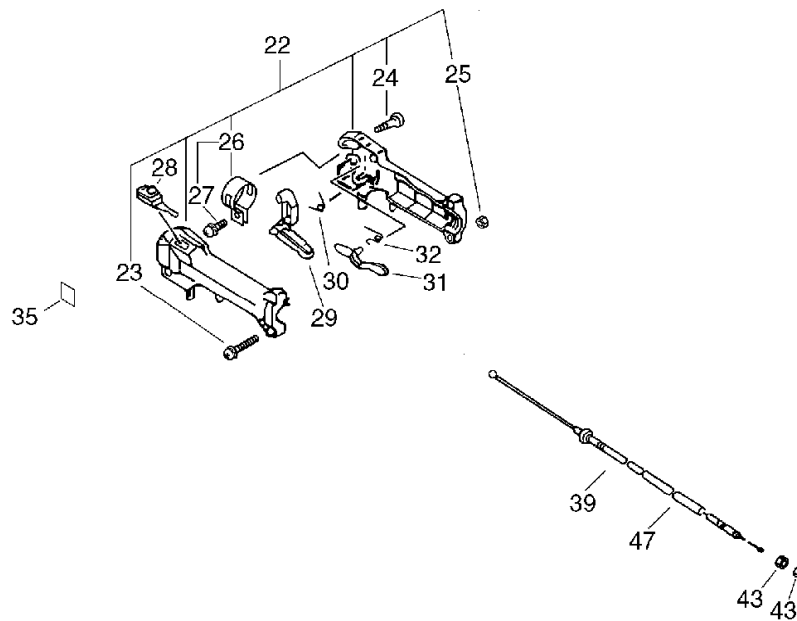
No.10



KEY	LV	PART NUMBER	Q'TY	DESCRIPTION	REMARKS	NOTE1	NOTE2
33		610923-27432	1	HOLDER			
34		900142-05025	2	BOLT 5*25 (W/W,SW)	5*25		
36		301000-55230	1	HARNESS ASSY		Sus. by 301000-55231	
36		301000-55231	1	HARNESS ASY,SHOULDER			
37	+	301305-24330	1	LINK			

# 11. Loop Handle(Throttle Part)

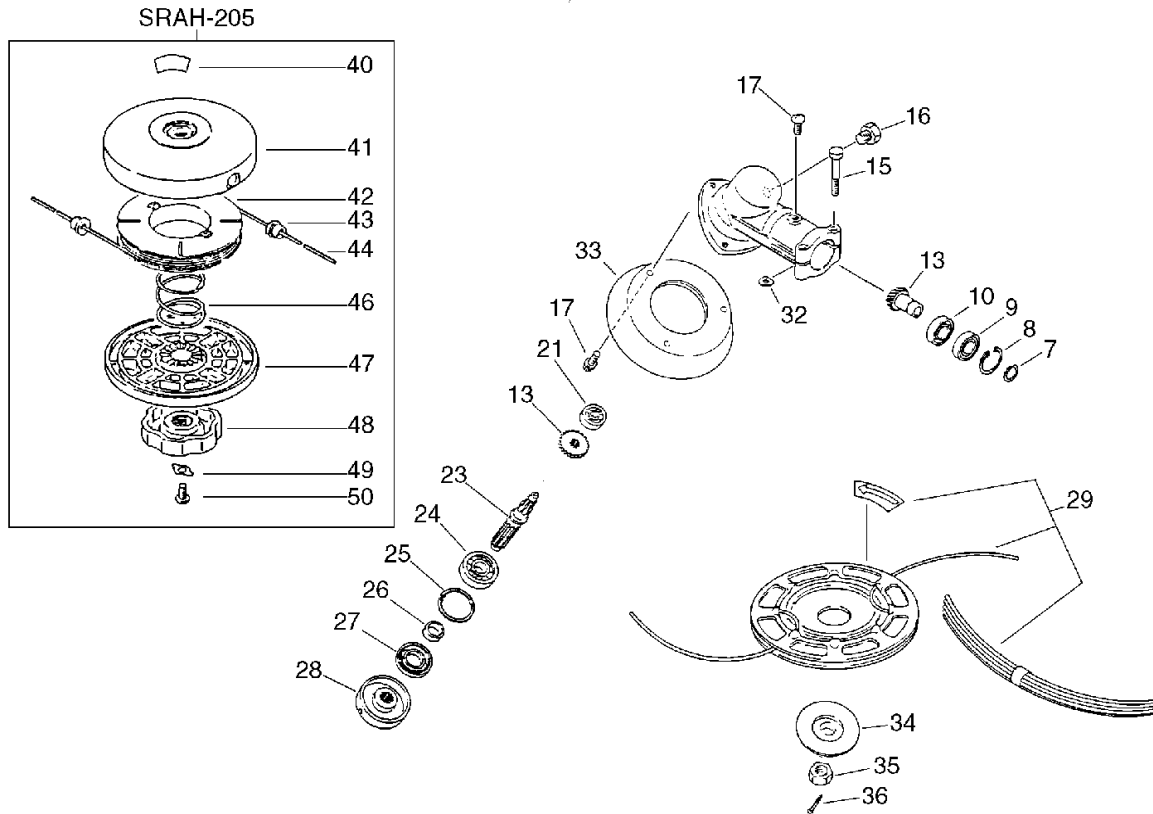
No.11



KEY	LV	PART NUMBER	Q'TY	DESCRIPTION	REMARKS	NOTE1	NOTE2
22		351102-29430	1	GRIP ASSY, F-HANDLE			
23	+	900238-05025	1	SCREW 5*25	5*25		
24	+	900253-04018	3	SCREW TAPPING 4*18	4*18		
25	+	900500-00005	1	NUT 5	5		
26	+	301200-29430	1	BAND ASSY			
27	++	900238-05012	1	SCREW 5*12	5*12		
28		163400-52130	1	SWITCH, IGNITION			
29		178010-42232	1	CONTROL, THROTTLE			
30		178043-42230	1	SPRING, THR. RETURN			
31		178012-42230	1	LOCKOUT, THROTTLE			
32		178013-42230	1	SPRING, THR. LOCKOUT			
35		890157-39130	1	LABEL, SWITCH		Diuse	
39		178001-52130	1	WIRE, THROTTLE			
43		900502-00006	2	NUT 6 (3N)	3N6		
47		178127-50330	1	TUBE	10*11*140		

## 12. Gear Case(Loop Handle Type), Nylon Line Cutting Head

No.12

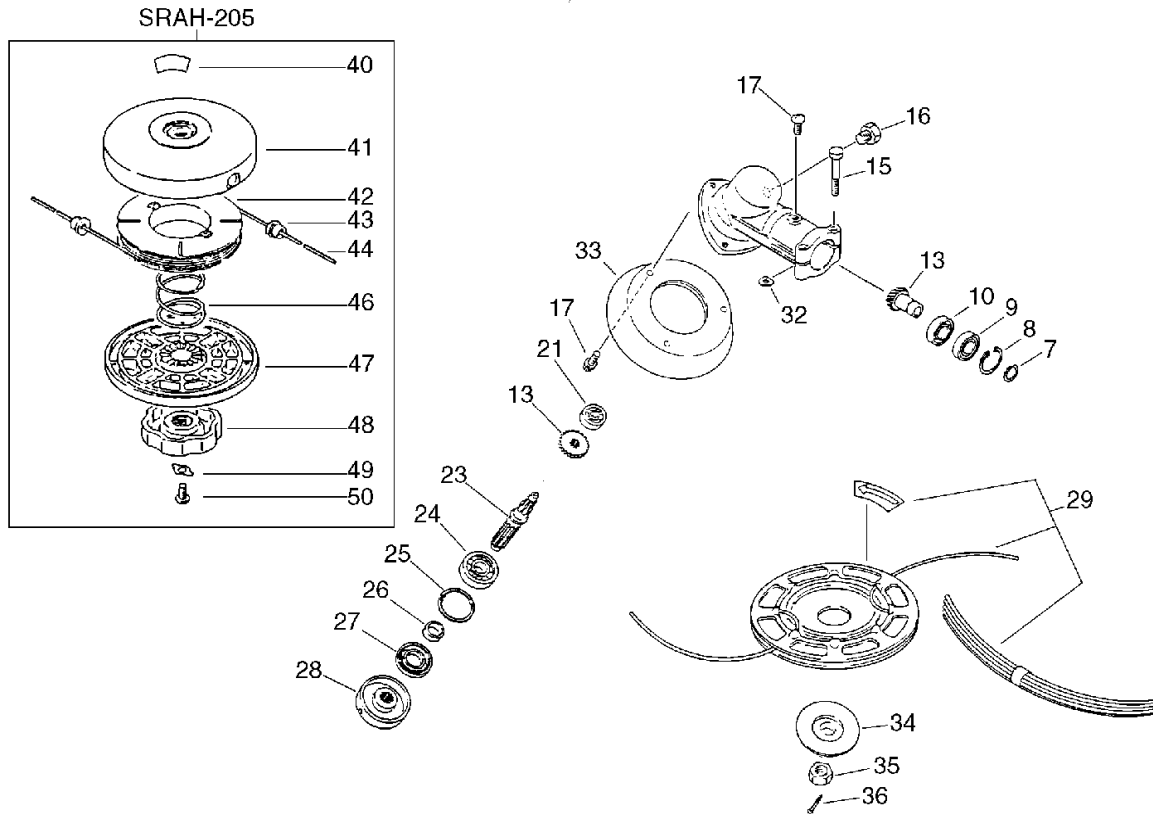


KEY	LV	PART NUMBER	Q'TY	DESCRIPTION	REMARKS	NOTE1	NOTE2
7		900706-00010	1	CIRCLIP 10	WR-10		
8		900702-00022	1	CIRCLIP 22	CR-22		
9		900858-06900	1	BEARING, BALL 6900Z	6900Z		
10		900855-06900	1	BEARING, BALL 6900	6900		
13		610300-40830	1	GEAR SET			
15		900142-05028	2	BOLT 5*28 (W/W,SW)	5*28		
16		610434-50030	1	BOLT 8* 6		Sus. by 610434-50031	
16		610434-50031	1	BOLT 8* 8	M8*8		
17		900242-05010	4	SCREW 5*10	5*10		
21		900810-00626	1	BEARING, BALL 626	626		
23		610310-40830	1	SHAFT, P.T.O.			
24		900800-06000	1	BEARING, BALL 6000	6000		
25		900702-00026	1	CIRCLIP 26	CR-26		
26		610315-22830	1	SPACER			
27		610413-22830	1	OILSEAL			
28		610313-44630	1	PLATE, ADAPTER		D. shaft Sr/Nr 012853 and before	
28		610313-22830	1	PLATE, ADAPTER (U)		D. shaft Sr/Nr 012854 and after	
29		696200-55230	1	CUTTER ASSY, LINE		Sus. by 990109-09040	
29		990109-09040	1	CUTTER BLACK			
32		610239-04130	2	WASHER, SHIM			



## 12. Gear Case(Loop Handle Type), Nylon Line Cutting Head

No.12



KEY	LV	PART NUMBER	Q'TY	DESCRIPTION	REMARKS	NOTE1	NOTE2
33		610443-22830	1	PLATE, GUARD (WH)			
34		610314-27230	1	PLATE, ADAPTER		D. shaft Sr/Nr 012854 and after	
35		900511-00010	1	NUT 10 (L-H)	10*P1.25	D. shaft Sr/Nr 012854 and after	
36		900300-20022	1	PIN, SPLIT 2*22	2*22	D. shaft Sr/Nr 012854 and after	
40		890617-46730	1	LABEL, CAUTION			
41		696205-06033	1	DRUM, CORD REEL			
42		696214-06830	1	REEL, CORD			
43		696212-06032	2	EYELET			
44		696215-22830	2	CORD, NYLON(2.4*2.5)			
46		696216-06030	1	SPRING			
47		696206-06032	1	COVER, DRUM (JY)			
48		696219-06031	1	NUT (JY)		Sus. by V299- 000260	
48		V299-000260	1	KNOB,FASTENER	M16X2		
49		696220-06030	1	STOPPER, NUT			
50		900220-06010	1	SCREW 6*10	6*10		

## 13. Repair Kit

KEY	LV	PART NUMBER	Q'TY	DESCRIPTION	REMARKS	NOTE1	NOTE2
		125303-51030	1	GASKET/DIAPHRAGM KIT		Can be used on the 125200-52131 only	
		125303-13310	1	DIAPHRAGM/GASKET KIT		Can be used on the 125200-52430 and 125200-52431	
5-3	+	125341-42030	1	DIAPHRAGM		Can be used on the 125200-52131 only	
5-3	+	125341-49030	1	DIAPHRAGM		Can be used on the 125200-52430 and 125200-52431	
5-4	+	125340-51030	1	GASKET, DIAPHRAGM			
5-13	+	125312-12820	1	DIAPHRAGM, FUEL PUMP			
5-14	+	125325-13310	1	GASKET, PUMP			
		125300-51330	1	REBUILD KIT		Can be used on the 125200-52131 only	
		125300-13310	1	REBUILD KIT		Sus. by P005-001810	
		P005-001810	1	REBUILD KIT		Can be used on the 125200-52430 and 125200-52431	

## 13. Repair Kit

KEY	LV	PART NUMBER	Q'TY	DESCRIPTION	REMARKS	NOTE1	NOTE2
5-3	+	125341-42030	1	DIAPHRAGM		Can be used on the 125200-52131 only	
5-3	+	125341-49030	1	DIAPHRAGM		Can be used on the 125200-52430 and 125200-52431	
5-4	+	125340-51030	1	GASKET, DIAPHRAGM			
5-6	+	125338-13930	1	PIN, METERING ARM			
5-7	+	125323-42030	1	LEVER, METERING			
5-8	+	125322-42030	1	SPRING, COIL		Sus. by 125322- 11520	
5-8	+	125322-11520	1	SPRING, COIL			
5-9	+	125337-06960	1	VALVE, INLET NEEDLE			
5-12	+	125326-42030	1	STRAINER			
5-13	+	125312-12820	1	DIAPHRAGM, FUEL PUMP			
5-14	+	125325-13310	1	GASKET, PUMP			
5-29	+	125345-51030	1	PLUG, WELCH		Can be used on the 125200-52131 only	
5-29	+	125345-15130	1	PLUG, WELCH		Can be used on the 125200-52430 and 125200-52431	

**Index**

<b>Patrs Number</b>	<b>Key No.</b>	<b>Patrs Number</b>	<b>Key No.</b>	<b>Patrs Number</b>	<b>Key No.</b>
100000-52130	1 - 9	125320-52430	5 - 25	130301-04560	3 - 13
100011-21230	1 - 8	125322-11520	13 - 5-8	130302-50630	3 - 21
100012-51230	1 - 4	125322-11520	5 - 8	130310-04560	3 - 18
100013-11520	1 - 10	125322-42030	13 - 5-8	130336-52130	3 - 33
100014-11520	1 - 12	125322-42030	5 - 8	130410-44730	3 - 16
100015-04630	1 - 11	125323-42030	13 - 5-7	130415-40630	3 - 22
100100-52131	1 - 17	125323-42030	5 - 7	131004-08960	4 - 16
100204-51030	1 - 14	125324-11610	5 - 15	131004-46730	4 - 16
100204-52130	1 - 14	125325-13310	13 - 5-14	131005-44331	4 - 15
100204-52131	1 - 14	125325-13310	13 - 5-14	131005-44332	4 - 15
100204-52132	1 - 14	125325-13310	5 - 14	131005-44430	4 - 15
100212-42030	1 - 13	125326-42030	13 - 5-12	131005-44431	4 - 15
100212-42031	1 - 13	125326-42030	5 - 12	131016-40930	4 - 17
100215-03930	1 - 15	125327-13930	5 - 24	131016-55830	4 - 17
100242-42030	1 - 18	125327-15130	5 - 10	131051-52430	4 - 18
101010-44332	1 - 7	125333-06960	5 - 20	131205-07320	4 - 10
101011-09560	1 - 5	125334-06960	5 - 19	131300-49930	4 - 5
101511-44730	1 - 20	125334-13930	5 - 19	131300-56430	4 - 5
101514-42030	1 - 24	125337-06960	13 - 5-9	131312-44330	4 - 7
101514-42031	1 - 24	125337-06960	5 - 9	132010-13930	4 - 11
125200-52131	3 - 10	125338-13930	13 - 5-6	132010-56330	4 - 6
125200-52131	5 -	125338-13930	5 - 6	132012-51030	4 - 6
125200-52430	3 - 10	125339-42030	5 - 5	132013-09820	4 - 9
125200-52430	5 -	125340-51030	13 - 5-4	132115-46730	4 - 8
125200-52431	3 - 10	125340-51030	13 - 5-4	145510-42031	3 - 23
125200-52431	5 -	125340-51030	5 - 4	145631-42030	3 - 24
125200-52432	3 - 10	125341-42030	13 - 5-3	145800-42031	3 - 25
125200-52432	5 -	125341-42030	13 - 5-3	145800-42032	3 - 25
125200-52433	3 - 10	125341-42030	5 - 3	145800-42033	3 - 25
125200-52433	5 -	125341-49030	13 - 5-3	145800-42034	3 - 25
125300-13310	13 -	125341-49030	13 - 5-3	145863-42030	3 - 32
125300-51330	13 -	125341-49030	5 - 3	145866-42031	3 - 29
125303-13310	13 -	125342-13210	5 - 2	145871-44331	3 - 24
125303-51030	13 -	125342-52130	5 - 2	145876-42030	3 - 30
125310-11610	5 - 18	125344-52130	5 - 1	150112-42030	2 - 14
125312-12820	13 - 5-13	125345-15130	13 - 5-29	156601-44730	2 - 10
125312-12820	13 - 5-13	125345-15130	5 - 29	156601-44731	2 - 10
125312-12820	5 - 13	125345-51030	13 - 5-29	156601-52130	2 - 10
125312-42030	5 - 13	125345-51030	5 - 29	156801-12360	2 - 6
125313-42030	5 - 21	125363-11610	5 - 17	156801-44730	2 - 6
125314-13930	5 - 27	125372-42030	5 - 23	156801-44731	2 - 6
125316-42030	5 - 28	125376-49030	5 - 11	156801-44731	2 - 6
125316-49030	5 - 28	125376-51030	5 - 11	159011-03432	2 - 12
125317-42030	5 - 22	125378-13930	5 - 20	159012-01620	2 - 11
125317-49030	5 - 22	125381-08660	5 - 16	159017-10230	2 - 13
125318-51030	5 - 26	125383-13310	5 - 15	162010-52830	2 - 15
125318-52430	5 - 26	130010-42032	3 - 5	163400-52130	11 - 28
125319-42030	5 - 30	130016-42031	3 - 9	163401-49230	8 - 12
125320-51230	5 - 25	130017-42031	3 - 8	175000-42031	2 - 5

**Index**

<b>Patrs Number</b>	<b>Key No.</b>	<b>Patrs Number</b>	<b>Key No.</b>	<b>Patrs Number</b>	<b>Key No.</b>
175000-49030	2 - 5	351210-05530	7 - 36	696214-06830	12 - 42
175000-56830	2 - 5	351301-09230	7 - 42	696215-22830	12 - 44
175005-47630	10 - 25	351311-02330	7 - 35	696216-06030	12 - 46
175005-47630	7 - 5	610018-27830	10 - 5	696219-06031	12 - 48
177200-42032	2 - 26	610018-27830	7 - 54	696220-06030	12 - 49
177200-42033	2 - 26	610206-28230	10 - 23	699001-44730	6 - 29
177202-44330	2 - 20	610206-28230	7 - 55	699010-54430	6 - 30
177202-44331	2 - 20	610223-44730	10 - 29	699011-27230	6 - 31
177215-42030	2 - 29	610223-44730	7 - 9	699012-03330	10 - 12
177215-44430	2 - 29	610239-04130	12 - 32	699013-52130	6 - 32
177218-44330	2 - 24	610239-04130	9 - 32	699015-52130	6 - 37
177220-42030	2 - 33	610281-46730	10 - 3	699016-52130	6 - 39
177226-10120	2 - 30	610300-40830	12 - 13	699016-54530	6 - 39
177227-42030	2 - 31	610300-40830	9 - 13	699200-08931	9 - 40
177228-06530	2 - 32	610310-40830	12 - 23	699226-05430	9 - 42
177234-12220	2 - 23	610310-40830	9 - 23	699227-04630	9 - 44
177234-42030	2 - 23	610313-22830	12 - 28	699228-08930	9 - 45
177236-44330	2 - 27	610313-22830	9 - 28	890118-44330	2 - 36
178001-47530	8 - 13	610313-44630	12 - 28	890121-47530	3 - 20
178001-52130	11 - 39	610314-04631	9 - 41	890157-39130	11 - 35
178010-05960	8 - 11	610314-27230	12 - 34	890157-39130	8 - 4
178010-42232	11 - 29	610314-27230	9 - 29	890177-46730	10 - 21
178012-05960	8 - 9	610315-22830	12 - 26	890518-52130	1 - 23
178012-42230	11 - 31	610315-22830	9 - 26	890617-43130	10 - 21
178013-35631	8 - 10	610400-41630	9 - 6	890617-43130	7 - 53
178013-42230	11 - 32	610413-22830	12 - 27	890617-46730	12 - 40
178043-42230	11 - 30	610413-22830	9 - 27	890617-46830	7 - 53
178111-04930	8 - 18	610434-50030	12 - 16	890617-63630	10 - 21
178121-43230	8 - 19	610434-50030	9 - 16	895112-00330	6 - 56
178127-47530	8 - 15	610434-50031	12 - 16	895410-08030	6 - 57
178127-50330	11 - 47	610434-50031	9 - 16	897518-01131	6 - 55
178510-48830	3 - 11	610443-22830	12 - 33	898502-01130	6 - 54
178515-04560	3 - 14	610443-22830	9 - 33	898523-47130	9 - 52
178516-00830	3 - 15	610910-27832	10 - 31	898523-50030	9 - 52
178810-05230	3 - 12	610910-27832	7 - 11	900100-05012	7 - 38
301000-44730	7 - 86	610922-27432	10 - 32	900100-05018	10 - 11
301000-55230	10 - 36	610922-27432	7 - 12	900105-05055	3 - 27
301000-55231	10 - 36	610923-27432	10 - 33	900141-05012	9 - 47
301015-05330	7 - 40	610923-27432	7 - 13	900142-05025	10 - 34
301200-21330	7 - 37	695001-27230	9 - 51	900142-05025	6 - 38
301200-29430	11 - 26	695001-44730	9 - 51	900142-05025	7 - 14
301205-21330	7 - 41	695001-44731	9 - 51	900142-05025	7 - 39
301207-08930	10 - 13	696001-27230	9 - 50	900142-05028	12 - 15
301305-24330	10 - 37	696001-44730	9 - 50	900142-05028	9 - 15
305110-42030	4 - 19	696001-44731	9 - 50	900142-06030	7 - 47
351010-43130	8 - 24	696200-55230	12 - 29	900162-05022	1 - 6
351102-29430	11 - 22	696205-06033	12 - 41	900162-05028	1 - 19
351102-47530	8 - 5	696206-06032	12 - 47	900220-05030	8 - 7
351201-08930	10 - 6	696212-06032	12 - 43	900220-05040	10 - 9

**Index**

<b>Patrs Number</b>	<b>Key No.</b>	<b>Patrs Number</b>	<b>Key No.</b>	<b>Patrs Number</b>	<b>Key No.</b>
900220-06010	12 - 50	900807-06001	10 - 27		
900238-04010	3 - 31	900807-06001	7 - 7		
900238-04012	1 - 25	900810-00626	12 - 21		
900238-04016	1 - 21	900810-00626	9 - 21		
900238-04016	2 - 35	900810-36201	1 - 16		
900238-04022	2 - 9	900814-06202	9 - 43		
900238-05012	11 - 27	900855-06900	12 - 10		
900238-05016	10 - 30	900855-06900	9 - 10		
900238-05016	7 - 10	900858-06900	12 - 9		
900238-05020	3 - 7	900858-06900	9 - 9		
900238-05025	11 - 23	94035-36201	1 - 16		
900242-05010	12 - 17	990109-09040	12 - 29		
900242-05010	9 - 17	A011-000002	1 - 17		
900242-05012	6 - 40	A011-000110	1 - 17		
900242-05014	6 - 36	A011-000111	1 - 17		
900242-05018	6 - 33	A320-000250	3 - 24		
900242-05028	1 - 19	A320-000251	3 - 24		
900242-05057	3 - 17	P005-000390	5 - 22		
900243-05016	4 - 12	P005-000590	5 - 15		
900246-03025	8 - 6	P005-001050	5 - 11		
900253-04018	11 - 24	P005-001710	5 - 25		
900253-04025	10 - 4	P005-001810	13 -		
900300-20022	12 - 36	P021-000460	7 - 42		
900300-20022	9 - 31	P021-007470	9 - 52		
900500-00005	10 - 7	V104-000160	3 - 23		
900500-00005	11 - 25	V299-000260	12 - 48		
900500-00005	3 - 6	V471-001190	4 - 11		
900500-00005	6 - 35	V471-001200	4 - 7		
900500-00005	8 - 8	V553-000010	1 - 4		
900502-00006	11 - 43	X505-000140	10 - 21		
900502-00006	8 - 27	X602-000020	6 - 57		
900511-00010	12 - 35				
900511-00010	9 - 30				
900600-00005	10 - 8				
900600-00005	3 - 26				
900603-00005	6 - 34				
900701-00012	10 - 28				
900701-00012	7 - 8				
900702-00022	12 - 8				
900702-00022	9 - 8				
900702-00026	12 - 25				
900702-00026	9 - 25				
900702-00028	10 - 26				
900702-00028	7 - 6				
900706-00010	12 - 7				
900706-00010	9 - 7				
900720-00004	3 - 19				
900800-06000	12 - 24				
900800-06000	9 - 24				

# YAMABIKO CORPORATION

7-2 SUEHIROCHO 1-CHOME, OHME, TOKYO 198-8760, JAPAN  
PHONE: 81-428-32-6118. FAX: 81-428-32-6145.

**ECHO**®



2450  
No.