



PARTS CATALOG

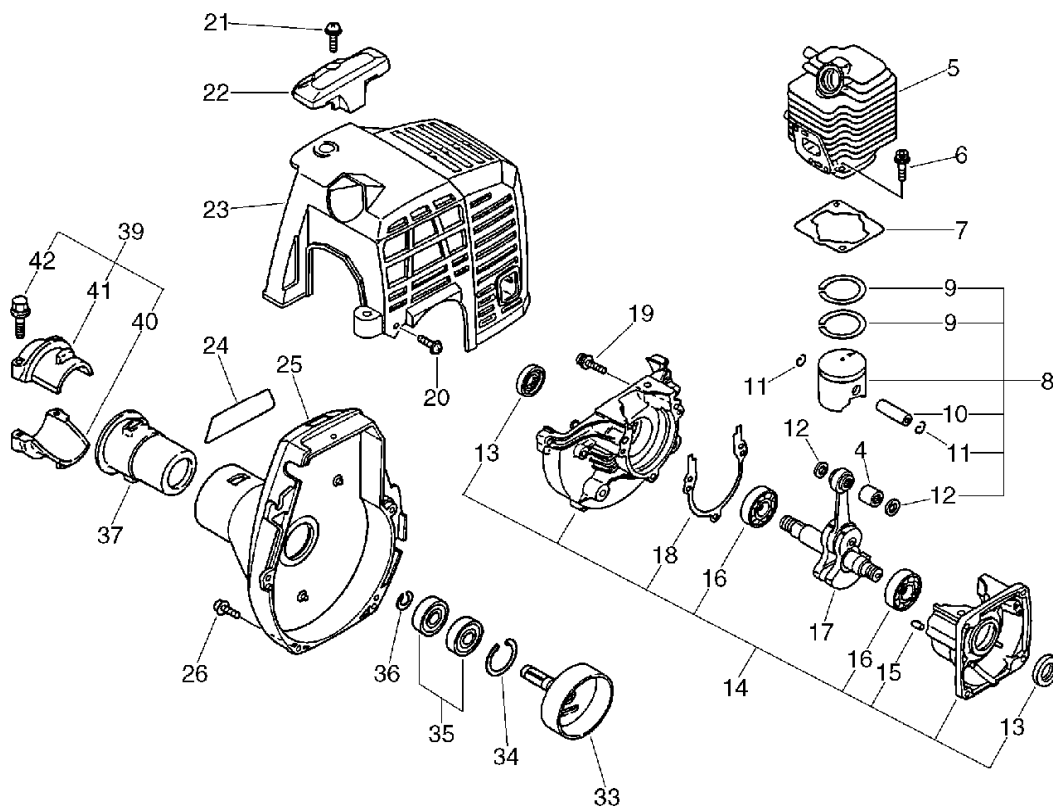
GRASS-TRIMMER / BRUSHCUTTER

SRM-2100

SRM-2100

1. Cylinder, Crankcase, Piston, Fan Cover

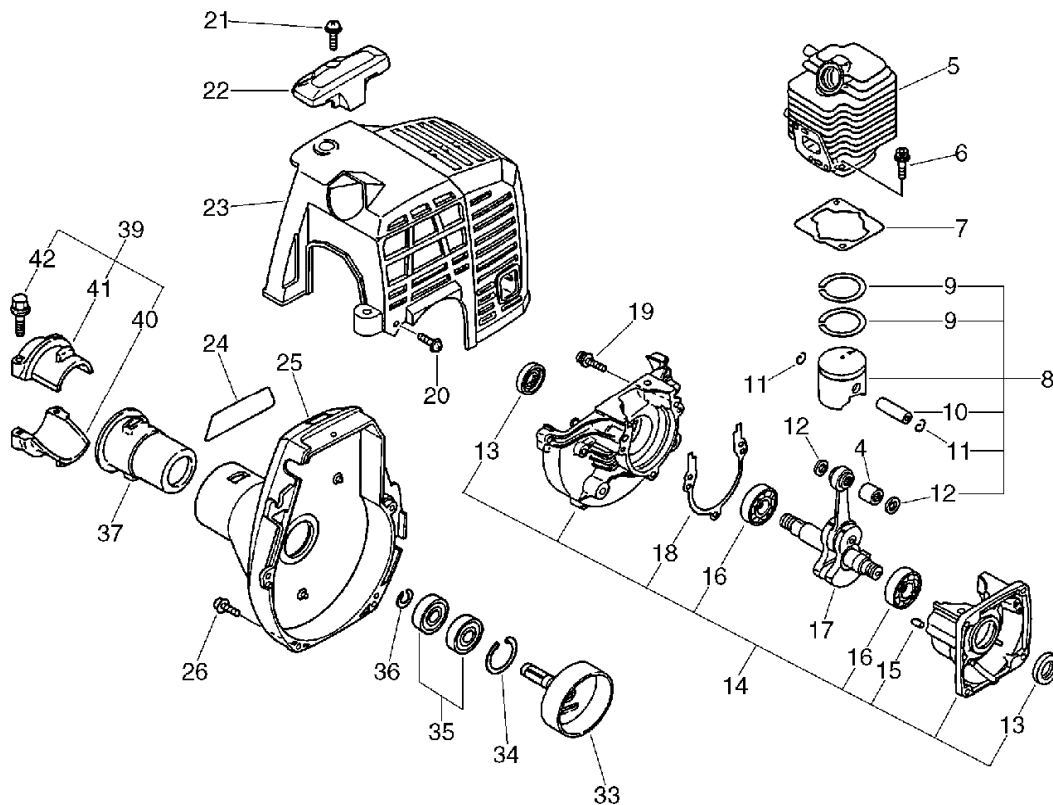
No.1



KEY	LV	PART NUMBER	Q'TY	DESCRIPTION	REMARKS	NOTE1	NOTE2
5		101011-46830	1	CYLINDER		Sus. by 101011-06562	
5		101011-06560	1	CYLINDER		Sus. by 101011-06562	
5		101011-06561	1	CYLINDER		Sus. by 101011-06562	
5		101011-06562	1	CYLINDER			
5		A130-000010	1	CYLINDER		Sus. by A130-000021	
5		A130-000020	1	CYLINDER		Sus. by A130-000021	
5		A130-000021	1	CYLINDER		Next Production	
6		900162-05022	2	BOLT, H.S. 5*22	5*22 W,SW		
7		101010-44332	1	GASKET, CYL. BASE			
8		100000-48730	1	PISTON KIT		Sus. by 100000-48732	
8		100000-48731	1	PISTON KIT		Sus. by 100000-48732	
8		100000-48732	1	PISTON KIT			
8		P021-001100	1	PISTON KIT		Sus. by P021-001102	
8		P021-001101	1	PISTON KIT		Sus. by P021-001102	
8		P021-001102	1	PISTON KIT		Next Production	

1. Cylinder, Crankcase, Piston, Fan Cover

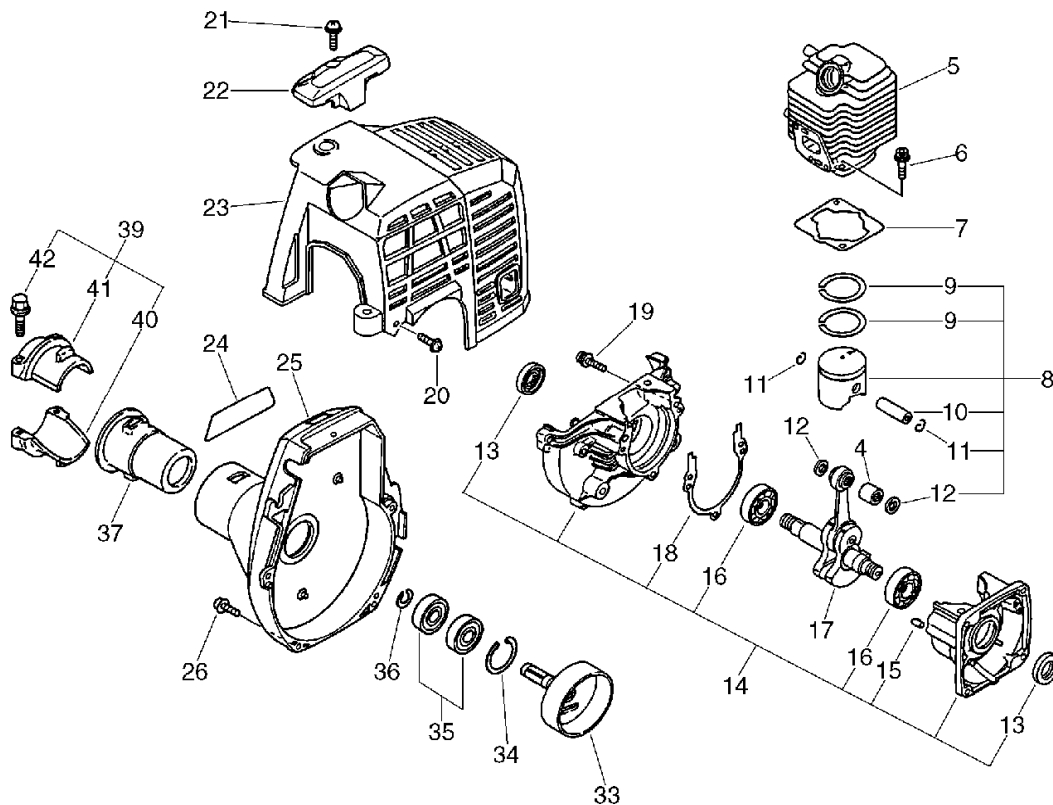
No.1



KEY	LV	PART NUMBER	Q'TY	DESCRIPTION	REMARKS	NOTE1	NOTE2
9	+	100011-05330	1	RING, PISTON			
9	+	A101-000000	2	RING,PISTON		Next Production	
10	+	100013-11520	1	PIN, PISTON			
11	+	100015-04630	2	CIRCLIP, PISTON PIN			
12	+	100014-11520	2	SPACER, PISTON PIN			
14		100204-51030	1	CRANKCASE KIT		Sus. by 100204-52132	
14		100204-52130	1	CRANKCASE KIT		Sus. by 100204-52132	
14		100204-52131	1	CRANKCASE KIT		Sus. by 100204-52132	
14		100204-52132	1	CRANKCASE KIT			
13	+	100212-42030	2	OILSEAL	ISCD12*22*4.5	Sus. by 100212-42031	
13	+	100212-42031	2	OILSEAL	ISCD 12*22*4.5		
15	+	100215-03930	2	PIN, DOWEL		Sus. by V622-000020	
15	+	V622-000020	2	PIN,STRAIGHT 4	4*7.8		
16	+	900810-36201	2	BEARING, BALL 6201	6201/C3	Sus. by 94035-36201	
16	+	94035-36201	2	BEARING BALL	6201X3JR2C3		
18	+	100242-42030	1	GASKET, CRANKCASE			
19	+	900162-05028	3	BOLT, H.S. 5*28	5*28 W,SW		
17		100100-44732	1	CRANKSHAFT ASSY			

1. Cylinder, Crankcase, Piston, Fan Cover

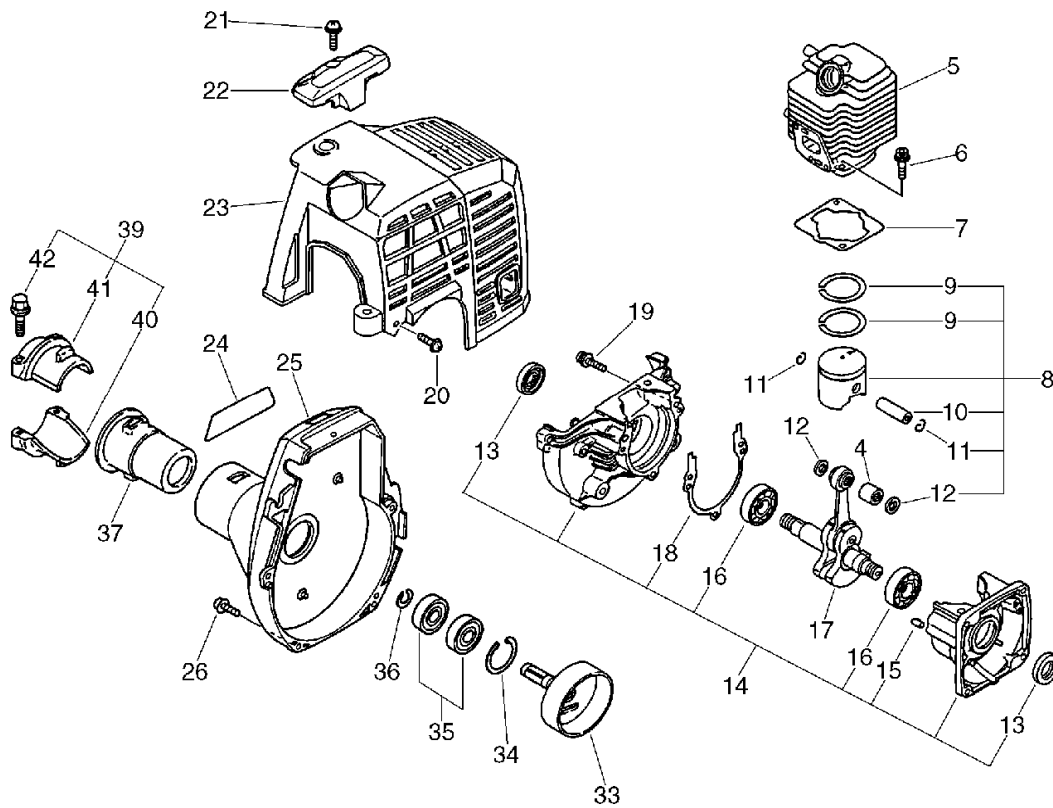
No.1



KEY	LV	PART NUMBER	Q'TY	DESCRIPTION	REMARKS	NOTE1	NOTE2
17		A011-000000	1	CRANKSHAFT,ASM		Sus. by A011-000002	
17		A011-000001	1	CRANKSHAFT,ASM		Sus. by A011-000002	
17		A011-000002	1	CRANKSHAFT,ASM		Next Production	
4	+	100012-51230	1	BEARING, NEEDLE	8*12*10	Sus. by V553-000010	
4	+	V553-000010	1	BEARING,NEEDLE 8	HK0810		
20		900162-04016	2	BOLT, H.S. 4*16	4*16 W,SW	Sus. by 900163-04016	
20		900163-04016	2	BOLT HSH			
21		900238-05016	1	SCREW 5*16	5*16		
22		159912-54130	1	GUARD, TOP			
23		101514-48930	1	COVER, CYLINDER			
24		890115-54130	1	LABEL, MODEL			
25		101503-52131	1	COVER ASSY, FAN			
26		900162-04016	4	BOLT, H.S. 4*16	4*16 W,SW	Sus. by 900163-04016	
26		900163-04016	4	BOLT HSH			
33		175005-48930	1	DRUM, CLUTCH		Sus. by 175005-48931	
33		175005-48931	1	DRUM, CLUTCH			
34		900702-00028	1	CIRCLIP 28	CR-28		
35		900807-06001	2	BEARING, BALL 6001	6001V(LB)		
36		900701-00012	1	CIRCLIP 12	CS-12		

1. Cylinder, Crankcase, Piston, Fan Cover

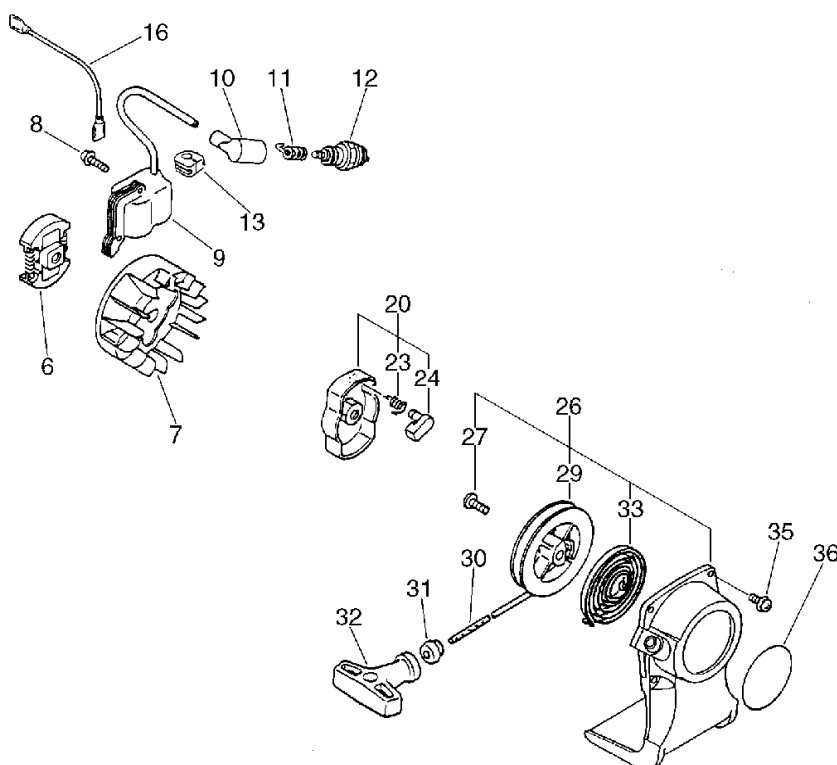
No.1



KEY	LV	PART NUMBER	Q'TY	DESCRIPTION	REMARKS	NOTE1	NOTE2
37		610910-55230	1	CUSHION			
39		610903-55230	1	HOLDER KIT			
40	+	610923-55230	1	HOLDER			
41	+	610922-27432	1	HOLDER			
42	+	900142-05025	2	BOLT 5*25 (W/W,SW)	5*25		

2. Starter, Magneto, Clutch

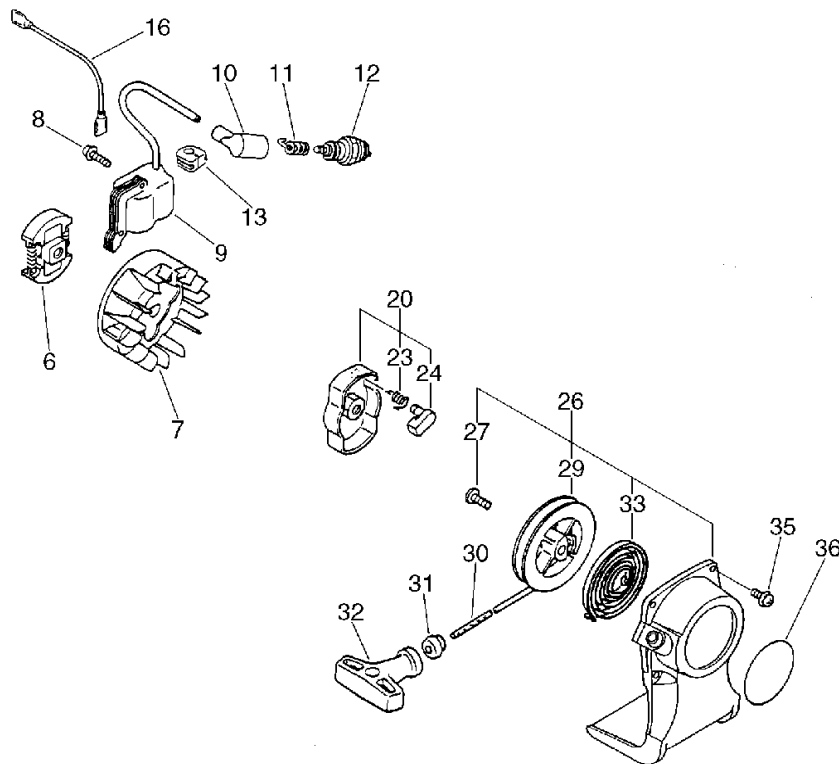
No.2



KEY	LV	PART NUMBER	Q'TY	DESCRIPTION	REMARKS	NOTE1	NOTE2
6		175000-49030	1	CLUTCH ASSY		Sus. by 175000-56830	
6		175000-56830	1	CLUTCH ASSY			
7		156801-44731	1	FLYWHEEL			
8		900162-04022	2	BOLT, H.S. 4*22	4*22 W,SW		
9		156601-44731	1	COIL, IGNITION			
10		159012-03433	1	CAP, SPARK PLUG			
11		159011-03432	1	COIL, SPARK PLUG			
12		159017-10230	1	PLUG, SPARK (RCJ-7Y)	RCJ-7Y		
13		156112-40630	1	GROMMET			
16		162010-52830	1	LEAD, GROUND			
20		177202-44330	1	PAWL ASSY, STARTER		Sus. by 177202-44331	
20		177202-44331	1	PAWL ASM., STARTER			
23	+	177234-42030	1	SPRING, RETURN		Sus. by 177234-12220	
23	+	177234-12220	1	SPRING, PAWL			
24	+	177218-44330	1	PAWL, STARTER	BLACK		
26		177200-44334	1	STARTER ASSY		Sus. by 177200-54130	
26		177200-54130	1	STARTER ASSY			
27	+	177236-44330	1	SCREW			
29	+	177215-44430	1	DRUM, STARTER			
30	+	177226-10120	1	ROPE, STARTER	3.0*1000		
31	+	177227-42030	1	GUIDE, ROPE			
32	+	177228-06530	1	GRIP, STARTER			

2. Starter, Magneto, Clutch

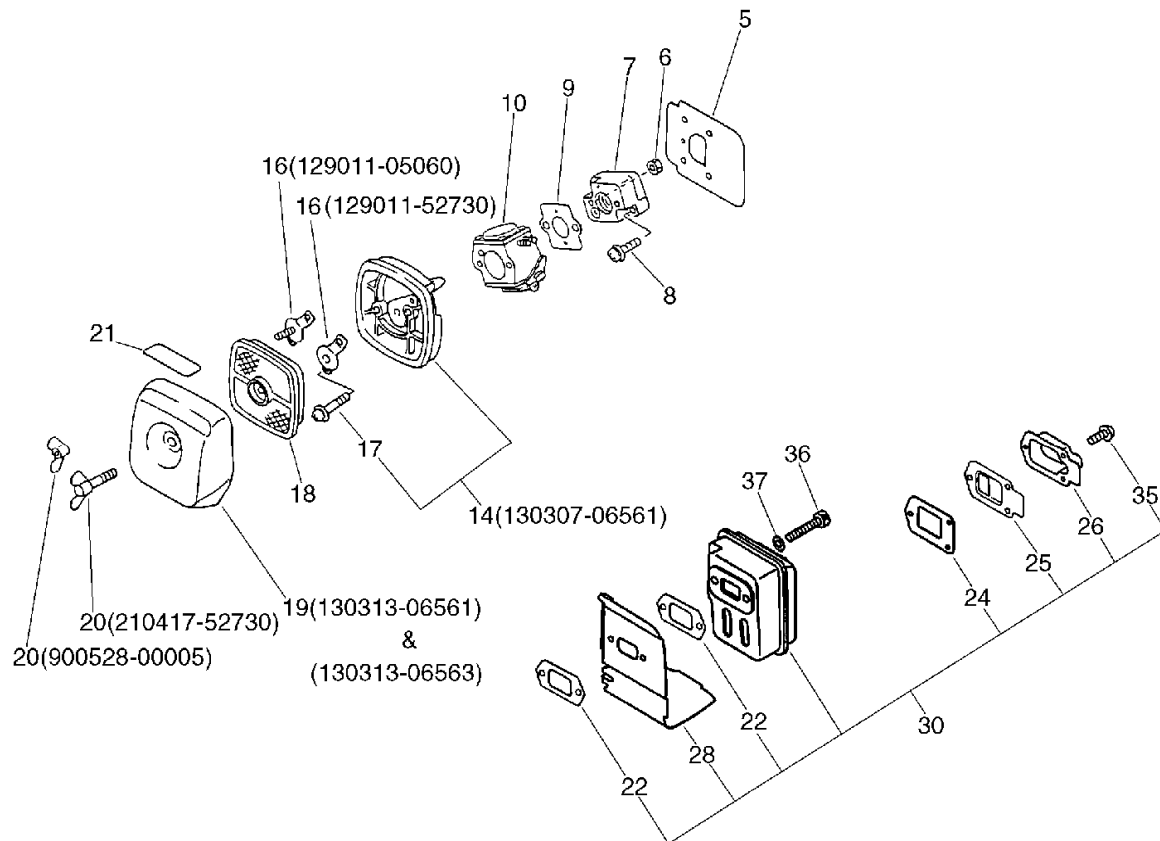
No.2



KEY	LV	PART NUMBER	Q'TY	DESCRIPTION	REMARKS	NOTE1	NOTE2
33	+	177220-42030	1	SPRING, REWIND			
35		900162-04016	2	BOLT, H.S. 4*16	4*16 W,SW	Sus. by 900163-04016	
35		900163-04016	2	BOLT HSH			
36		890118-49130	1	LABEL, ECHO			

3. Air Cleaner, Muffler

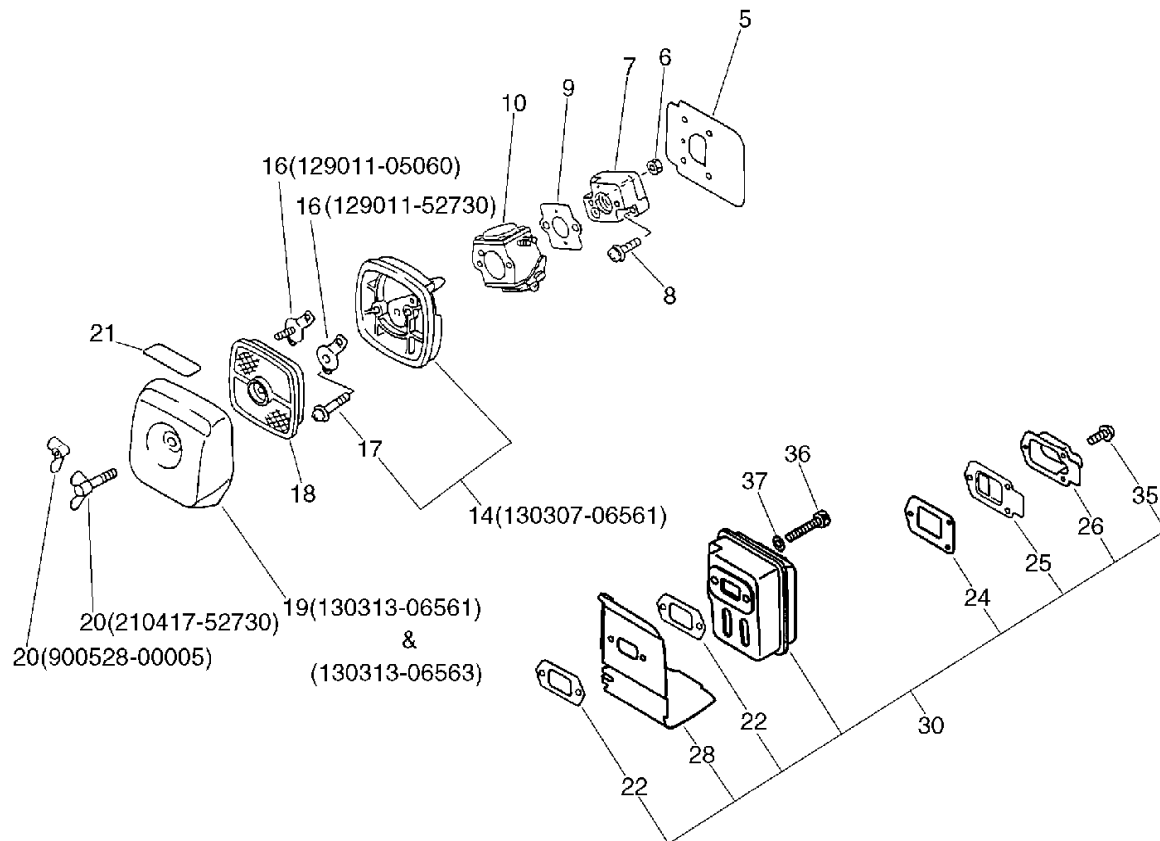
No.3



KEY	LV	PART NUMBER	Q'TY	DESCRIPTION	REMARKS	NOTE1	NOTE2
5		130010-42032	1	GASKET,INTAKE			
6		900500-00005	2	NUT 5	5		
7		130017-42031	1	INSULATOR, INTAKE			
8		900238-05020	2	SCREW 5*20	5*20		
9		V103-000110	1	GASKET,INTAKE		Sus. by 130016-42031	
9		V103-000111	1	GASKET,INTAKE		Sus. by 130016-42031	
9		130016-42031	1	GASKET, INTAKE			
10		125200-50631	1	CARBURETOR ASSY	C1U-K16A	Sus. by 125200-50632	
10		125200-50632	1	CARBURETOR	C1U-K16A	Sr/Nr 205480 and before	
10		125200-49030	1	CARBURETOR ASSY	C1U-K47	Sus. by 125200-13314	
10		125200-13311	1	CARBURETOR C1U-K52	C1U-K52	Sus. by 125200-13314	
10		125200-13312	1	CARBURETOR	C1U-K52	Sus. by 125200-13314	
10		125200-13313	1	CARBURETOR	C1U-K52	Sus. by 125200-13314	
10		125200-13314	1	CARBURETOR	C1U-K52	Sr/Nr 205481 and after	
14		130307-06561	1	CASE, AIR CLEANER		Sus. by P021-002921	
14		P021-002921	1	CASE, AIR CLEANER			

3. Air Cleaner, Muffler

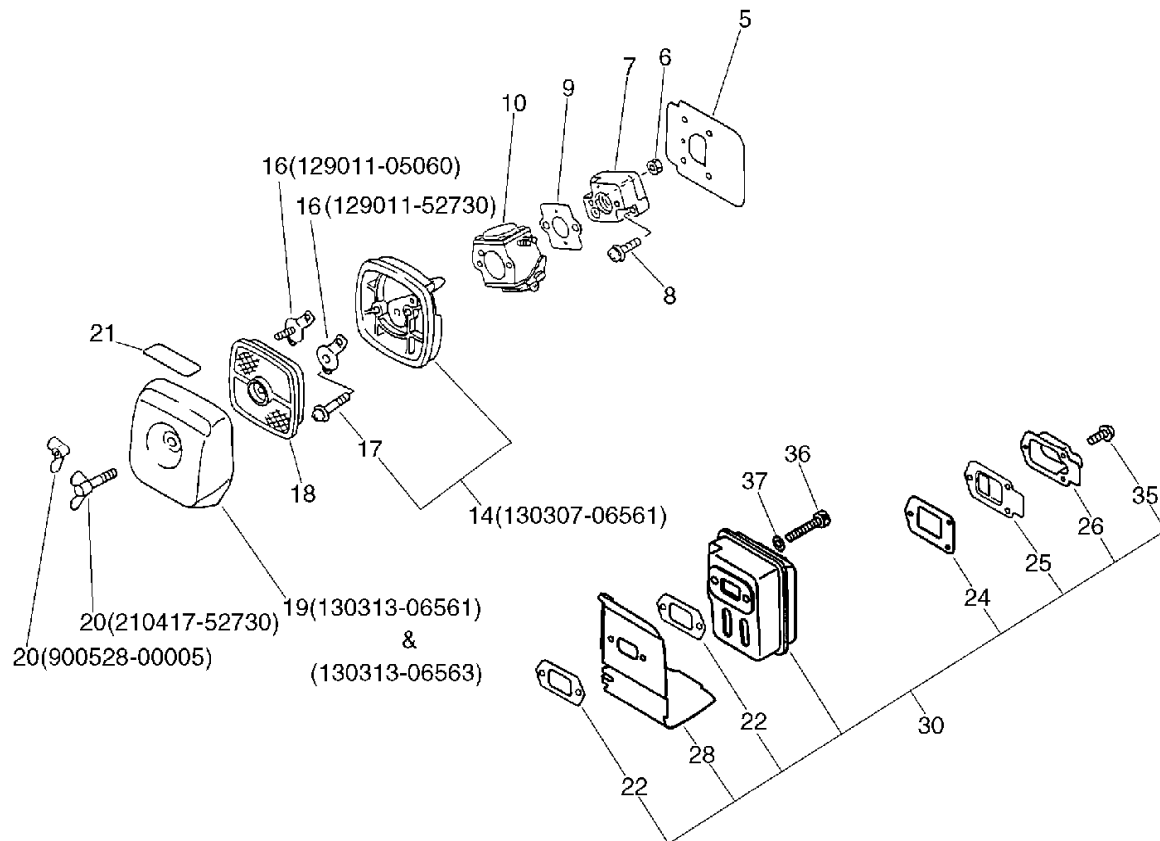
No.3



KEY	LV	PART NUMBER	Q'TY	DESCRIPTION	REMARKS	NOTE1	NOTE2
17	+	900242-05065	2	SCREW 5*65	5*65		
16		129011-05060	1	PLATE		Sr/Nr 209030 and before	
16		129011-52730	1	PLATE, PREVENT		Sr/Nr 209031 and after	
18		130310-54130	1	FILTER, AIR			
19		130313-06561	1	COVER, AIR CLEANER		Sr/Nr 209030 and before	
19		130313-06563	1	LID, AIR CLEANER		Sr/Nr 209031 and after	
20		900528-00005	1	NUT	5	Sr/Nr 209030 and before	
20		210417-52730	1	BOLT, WING	5*20	Sr/Nr 209031 and after	
21		890121-05360	1	LABEL, METERING			
30		145800-54130	1	MUFFLER ASSY			
30		P021-001380	1	MUFFLER ASY		Sus. by P021-001384	
30		P021-001382	1	MUFFLER ASY		Sus. by P021-001384	
30		P021-001383	1	MUFFLER ASY		Sus. by P021-001384	
30		P021-001384	1	MUFFLER ASY			
22	+	145510-42031	2	GASKET, MUFFLER			
24	+	145866-42031	1	GASKET, MUFFLER LID			

3. Air Cleaner, Muffler

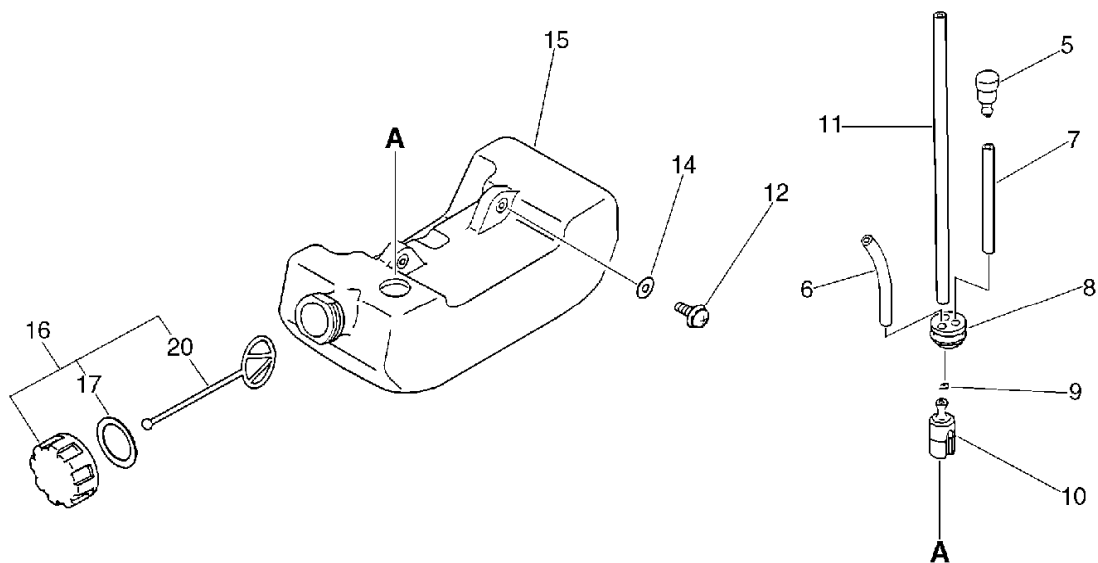
No.3



KEY	LV	PART NUMBER	Q'TY	DESCRIPTION	REMARKS	NOTE1	NOTE2
24	+	V104-000001	1	GASKET,EXHAUST		Sus. by V104-000003	
24	+	V104-000003	1	GASKET,EXHAUST			
25	+	145876-42030	1	LID, MUFFLER (B)			
26	+	145863-54130	1	FIXTURE, SCREEN			
26	+	A313-000000	1	GUIDE,EXH		Next Production	
28	+	145871-44331	1	COVER, MUFFLER		Sus. by A320-000251	
28	+	145631-42030	1	COVER, MUFFLER		Sus. by A320-000251	
28	+	A320-000250	1	COVER,MUFFLER		Sus. by A320-000251	
28	+	A320-000251	1	COVER,MUFFLER			
35	+	900238-04010	3	SCREW 4*10	4*10		
36		900105-05055	2	BOLT, H.S. 5*55	5*55		
37		900600-00005	2	WASHER 5	5		

4. Fuel Tank

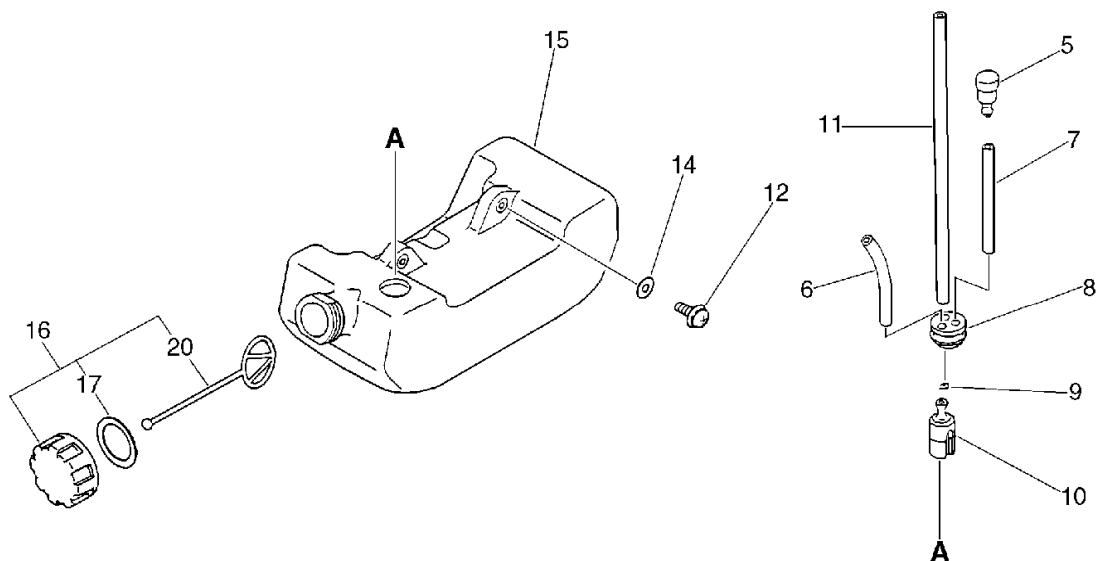
No.4



KEY	LV	PART NUMBER	Q'TY	DESCRIPTION	REMARKS	NOTE1	NOTE2
5		131300-56430	1	VALVE, CHECK		Sus. by A356-000030	
5		A356-000030	1	VALVE,CHECK			
6		132012-51030	1	PIPE 3*5*90	3*5*90 ㇿニノ	Sus. by 132010-56330	
6		132010-56330	1	PIPE 3*6*90	3*6*90 YL		
7		131312-44330	1	PIPE, 3*5*70L	3*5*70L NBR	Sus. by V471-001200	
7		131312-39130	1	PIPE	3*5*70(+3)NBR	Sus. by V471-001200	
7		V471-001200	1	PIPE	3*5*70 NBR		
8		132115-46730	1	GROMMET, FUEL		Sus. by V137-000030	
8		V137-000030	1	GROMMET,FUEL			
9		132013-09820	1	CLIP	6MM		
10		131205-07320	1	STRAINER, FUEL			
11		132010-13930	1	PIPE, FUEL	3*5*180L NBR	Sus. by V471-001190	
11		V471-001190	1	PIPE	3*5*180 NBR		
12		900238-05016	2	SCREW 5*16	5*16		
14		900603-00005	2	WASHER 5	5.5*12*0.8		
15		131005-44331	1	TANK, FUEL		Sus. by 131005-46831	
15		131005-46830	1	TANK, FUEL		Sus. by 131005-46831	
15		131005-46831	1	TANK, FUEL			

4. Fuel Tank

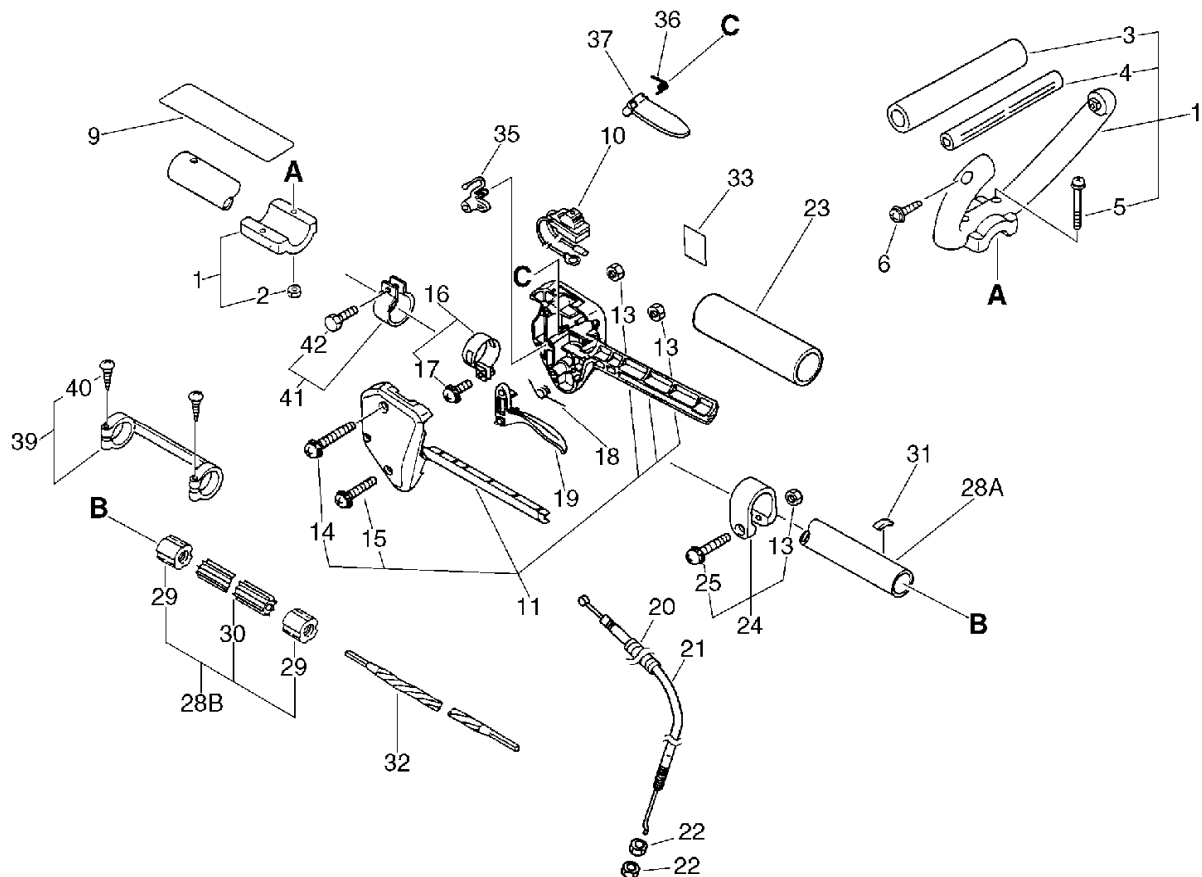
No.4



KEY	LV	PART NUMBER	Q'TY	DESCRIPTION	REMARKS	NOTE1	NOTE2
16		131004-06560	1	CAP ASSY,FUEL TANK		Sus. by 131004-08960	
16		131004-08960	1	CAP ASSY, FUEL			
17	+	131016-40930	1	GASKET, FUEL CAP		Can be used on the 131004-06560 only	
17	+	131016-55830	1	GASKET, FUEL CAP		Can be used on the 131004-08960 only	
20	+	131051-52430	1	CONNECTOR, CAP	80L		

5. Handle

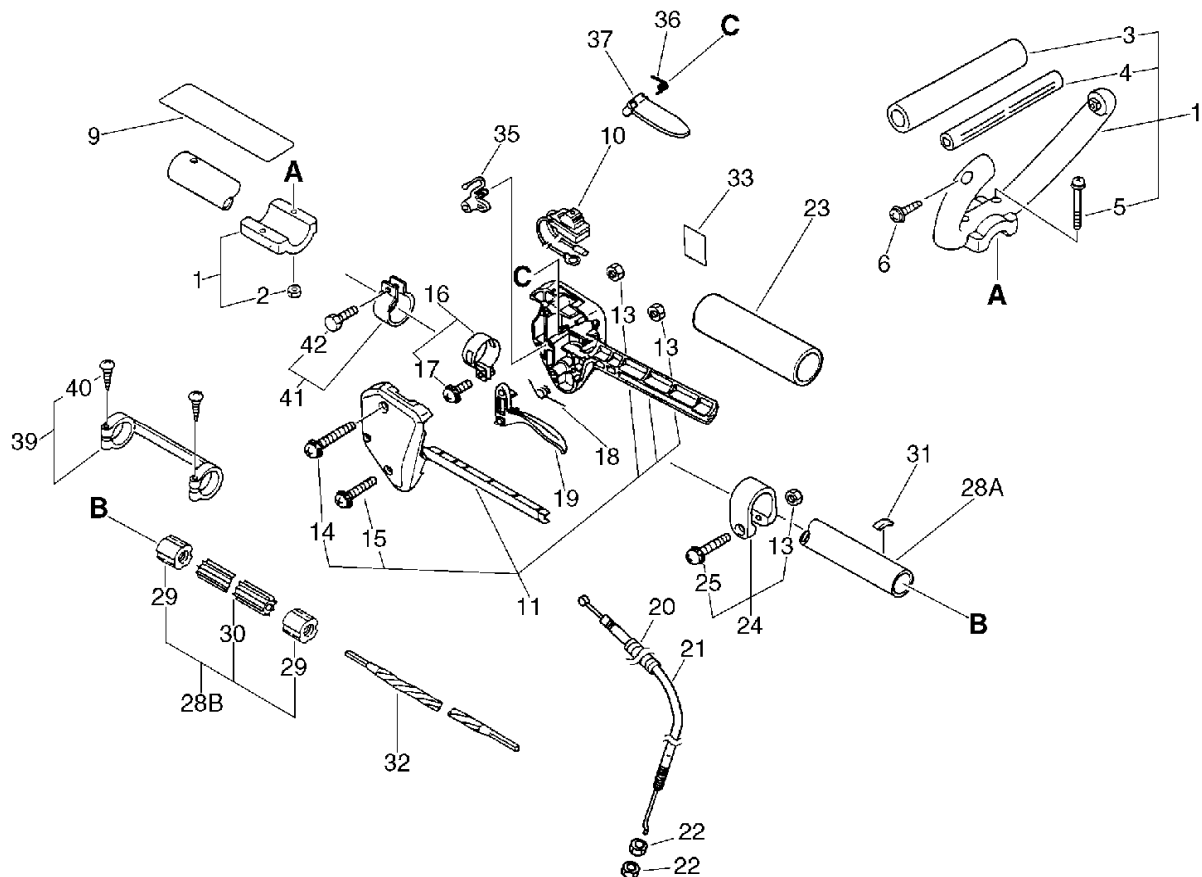
No.5



KEY	LV	PART NUMBER	Q'TY	DESCRIPTION	REMARKS	NOTE1	NOTE2
1		351201-51730	1	HANDLE ASSY, LOOP			
2	+	900500-00005	4	NUT 5	5		
3	+	351213-51730	1	GRIP, FRONT HANDLE			
4	+	351210-51730	1	HANDLE, REAR			
5	+	900242-05035	4	SCREW 5*35	5*35		
6	+	900246-05030	2	SCREW 5*30	5*30		
9		890617-52730	1	LABEL, CAUTION		Sus. by X505-000140	
9		890617-63630	1	LABEL, CAUTION		Sus. by X505-000140	
9		X505-000140	1	LABEL, CAUTION			
10		163401-55630	1	SWITCH, IGNITION		Sus. by 163401-55631	
10		163401-55631	1	SWITCH, IGNITION			
11		178003-52130	1	BRACKET SET, THROTTLE			
13	+	900500-00005	2	NUT 5	5		
14	+	900242-05035	1	SCREW 5*35	5*35		
15	+	900242-05025	1	SCREW 5*25	5*25		
16		301200-29430	1	BAND ASSY			
17	+	900242-05014	1	SCREW 5*14	5*14		
18		178043-42230	1	SPRING, THR. RETURN			
19		178010-52130	1	CONTROL, THROTTLE			
20		178127-50330	1	TUBE	10*11*140		
21		178001-56730	1	CABLE, THROTTLE			
22		900502-00006	2	NUT 6 (3N)	3N6		
23		351213-52130	1	GRIP			

5. Handle

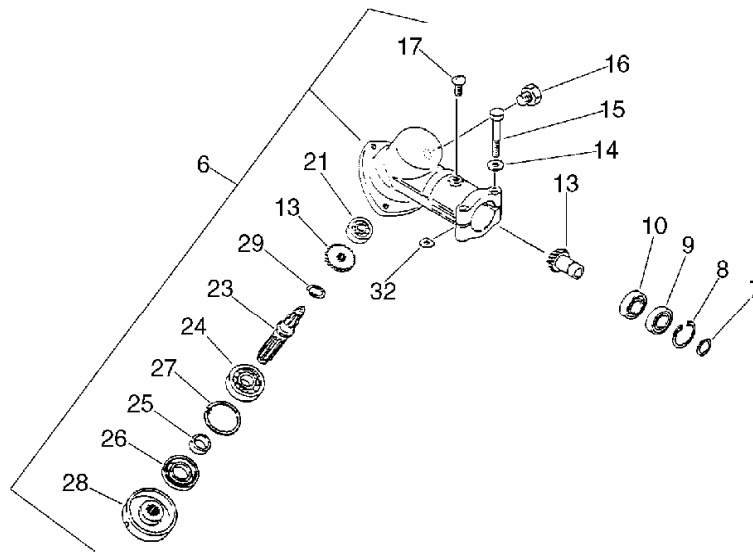
No.5



KEY	LV	PART NUMBER	Q'TY	DESCRIPTION	REMARKS	NOTE1	NOTE2
24		610272-52130	1	BAND			
13	+	900500-00005	1	NUT 5	5		
25	+	900242-05028	1	SCREW 5*28	5*28		
28		610206-44730	1	HOUSING ASSY, D.SHFT		Sus. by C050-000460	
28		C050-000460	1	PIPE,MAIN			
29	+	610246-44730	2	STOPPER			
30	+	610217-44730	1	LINER, FLEXIBLE			
31		890152-04930	1	LABEL, CAUTION			
32		610013-44730	1	SHAFT, FLEXIBLE			
33		890157-39130	1	LABEL, SWITCH			
35		178012-52730	1	LOCKOUT, THROTTLE			
36		178013-52630	1	SPRING, THR. LOCK			
37		178090-52630	1	LOCKOUT, T. CONTROL		Sus. by 178090-52632	
37		178090-52631	1	LOCKOUT, T. CONTROL		Sus. by 178090-52632	
37		178090-52632	1	LOCKOUT, T. CONTROL			
39		610280-54130	1	COLLAR		Sus. by 610281-54130	
39		610281-54130	1	COLLER			
40	+	900253-04025	2	SCREW 4*25	4*25		

6. Gear Case

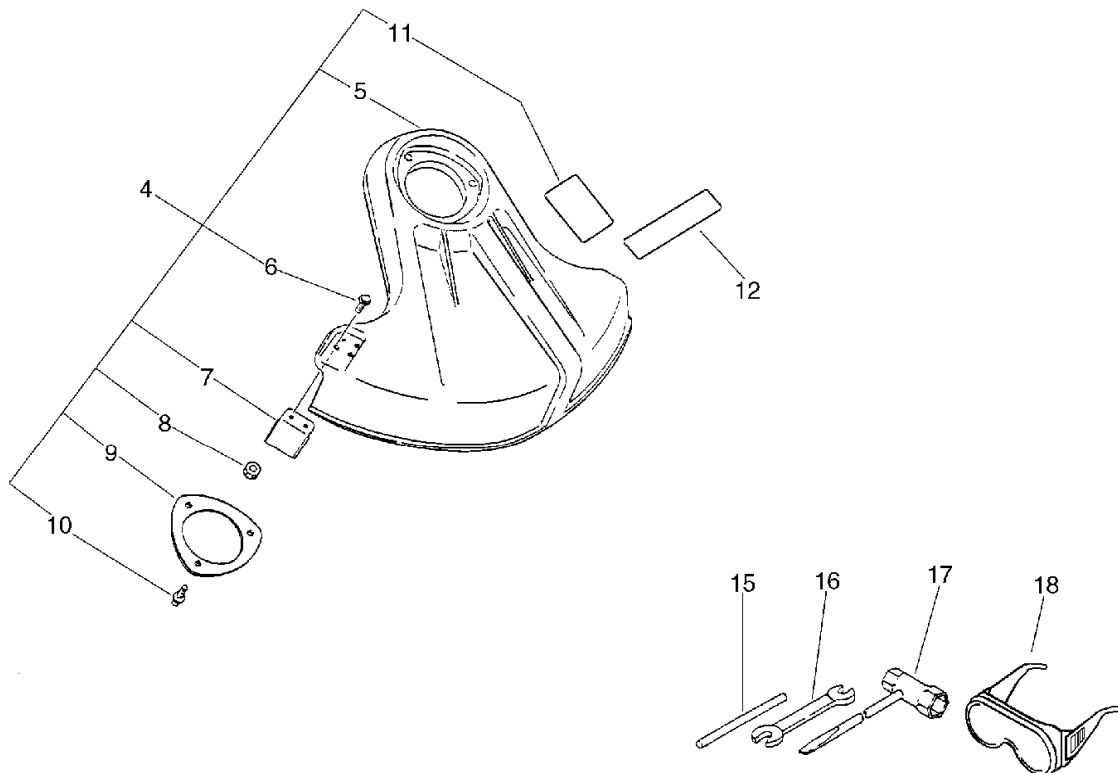
No.6



KEY	LV	PART NUMBER	Q'TY	DESCRIPTION	REMARKS	NOTE1	NOTE2
6		610402-47731	1	HOUSING ASSY, GEAR		Sus. by 610402-47732	
6		610402-47732	1	CASE ASY, GEAR			
7	+	900706-00012	1	CIRCLIP 12	WR-12		
8	+	900702-00022	1	CIRCLIP 22	CR-22		
9	+	900858-06900	1	BEARING, BALL 6900Z	6900Z		
10	+	900855-06900	1	BEARING, BALL 6900	6900		
13	+	610300-44830	1	GEAR SET			
14	+	900600-00005	2	WASHER 5	5		
15	+	900100-05035	2	BOLT 5*35	5*35		
16	+	610434-50030	1	BOLT 8* 6		Sus. by 610434-50031	
16	+	610434-50031	1	BOLT 8* 8	M8*8		
17	+	900242-05010	1	SCREW 5*10	5*10		
21	+	900800-00609	1	BEARING, BALL 609	609		
23	+	610360-08931	1	SHAFT, P.T.O.			
24	+	900810-06201	1	BEARING, BALL 6201	6201		
25	+	610315-07130	1	SPACER			
26	+	610413-07130	1	OILSEAL			
27	+	900702-00032	1	CIRCLIP 32	CR-32		
28	+	610313-47731	1	PLATE, ADAPTER (U)			
29	+	900706-00010	1	CIRCLIP 10	WR-10		
32	+	610239-04130	2	WASHER, SHIM			

7. Shield, Tools

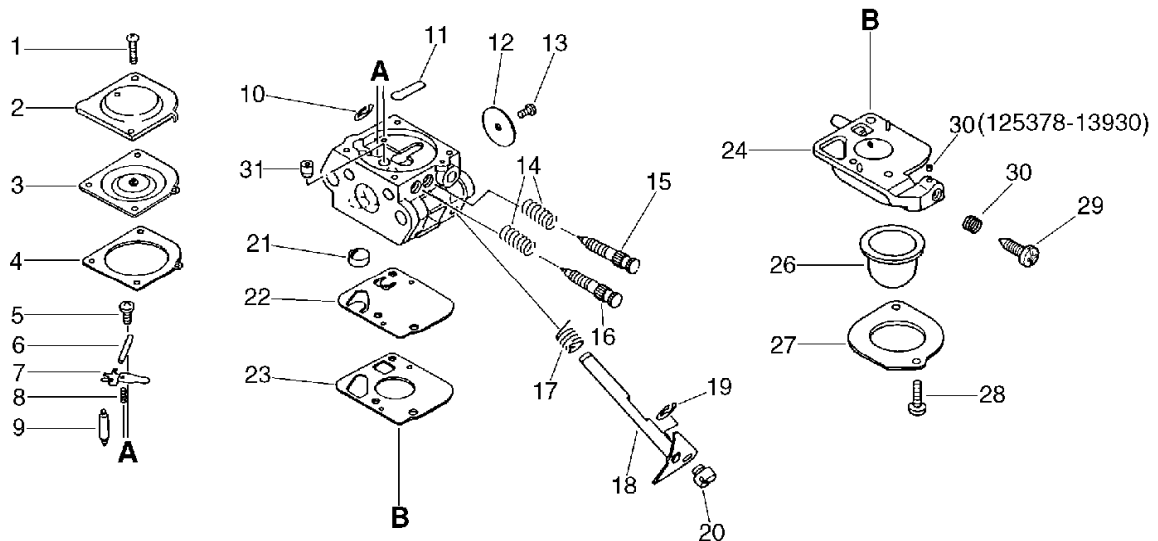
No.7



KEY	LV	PART NUMBER	Q'TY	DESCRIPTION	REMARKS	NOTE1	NOTE2
4		699000-40931	1	SHIELD ASSY		Sus. by 699004-40931	
4		699004-40931	1	SHIELD ASSY W/LABEL			
5	+	699010-27231	1	SHIELD, BLADE			
6	+	900238-05016	2	SCREW 5*16	5*16		
7	+	699016-44330	1	CUTTER			
8	+	900500-00005	2	NUT 5	5		
9	+	699018-40830	1	BRACKET, SHIELD		Sus. by C552-000110	
9	+	C552-000110	1	PLATE,SHIELD			
10	+	900238-05016	3	SCREW 5*16	5*16		
11	+	890168-44830	1	LABEL, CAUTION			
12		890118-48830	1	LABEL, ECHO			
15		897518-01131	1	LOCKING TOOL			
16		895112-00330	1	SPANNER 8*10			
17		895410-08030	1	WRENCH, W/S. DRIVER		Sus. by X602-000020	
17		X602-000020	1	TOOL,WRENCH	17*19 L200		
18		899580-40930	1	GOGGLE		Sus. by P021-002861	
18		899580-68730	1	SAFETY GLASSES		Sus. by P021-002861	
18		P021-002861	1	GOGGLES			

8. Carburetor(Sr/Nr 205480 and before)

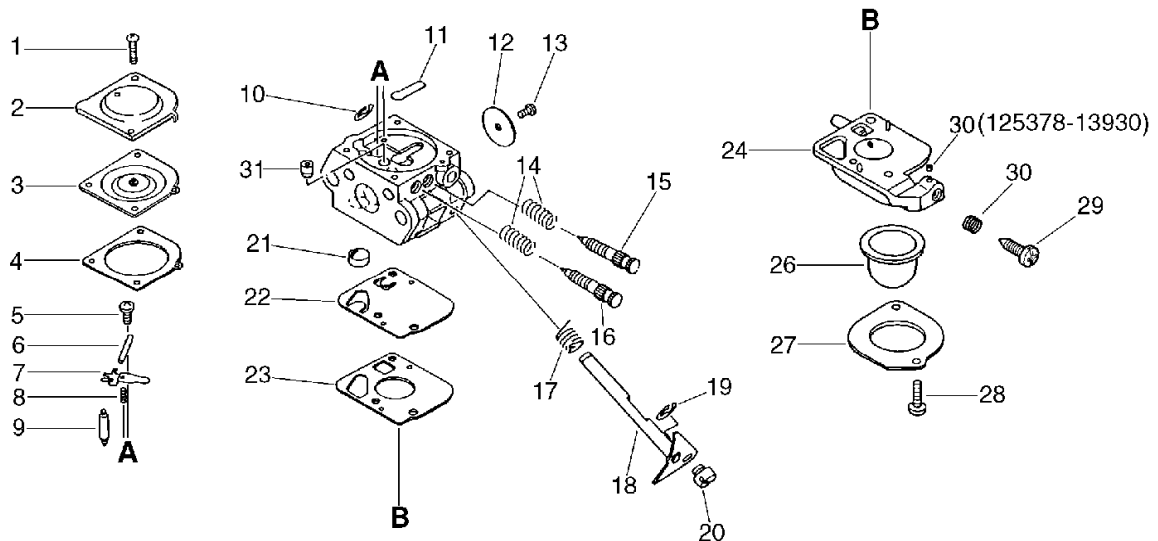
No.8



KEY	LV	PART NUMBER	Q'TY	DESCRIPTION	REMARKS	NOTE1	NOTE2
		125200-50631	1	CARBURETOR ASSY	C1U-K16A	Sus. by 125200-50632	
		125200-50632	1	CARBURETOR	C1U-K16A	Sr/Nr 205480 and before	
1	+	125344-52130	2	SCREW			
2	+	125342-52130	1	COVER, DIAPHRAGM		Sus. by 125342-13210	
2	+	125342-13210	1	COVER, DIAPHRAGM			
3	+	125341-42030	1	DIAPHRAGM			
4	+	125340-42030	1	GASKET, DIAPHRAGM			
5	+	125339-42030	1	SCREW			
6	+	125338-13930	1	PIN, METERING ARM			
7	+	125323-42030	1	LEVER, METERING			
8	+	125322-42030	1	SPRING, COIL			
9	+	125337-06960	1	VALVE, INLET NEEDLE			
10	+	125327-15130	1	CLIP			
11	+	125345-15130	1	PLUG, WELCH			
12	+	125316-42030	1	VALVE, THROTTLE			
13	+	125314-13930	1	SCREW	3*4		
14	+	125319-42030	2	SPRING, COIL			
15	+	125318-42030	1	NEEDLE, IDLE			
16	+	125320-47630	1	NEEDLE, HIGH SPEED			
17	+	125313-42030	1	SPRING, THRT. RETURN			
18	+	125317-42030	1	SHAFT, THROTTLE			
19	+	125327-13930	1	CLIP			
20	+	125372-42030	1	SWIVEL			

8. Carburetor(Sr/Nr 205480 and before)

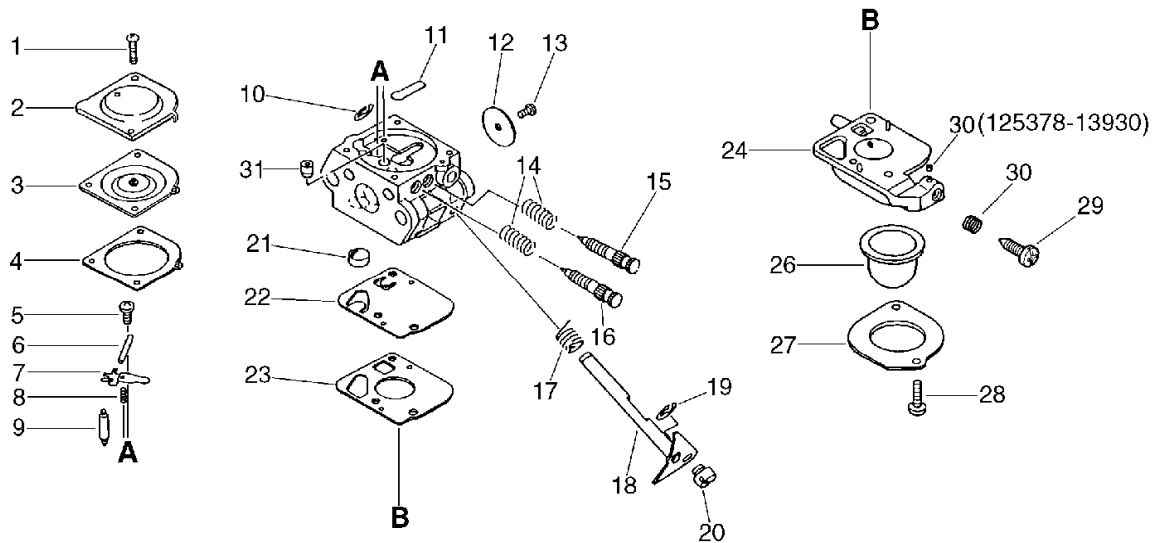
No.8



KEY	LV	PART NUMBER	Q'TY	DESCRIPTION	REMARKS	NOTE1	NOTE2
21	+	125326-42030	1	STRAINER			
22	+	125312-42030	1	DIAPHRAGM, FUEL PUMP		Can be used on the 125200-50631 only	
22	+	125312-12820	1	DIAPHRAGM, FUEL PUMP		Can be used on the 125200-50632 only	
23	+	125325-42030	1	GASKET, FUEL PUMP		Sus. by 125325-13310	
23	+	125325-13310	1	GASKET, PUMP			
24	+	125324-11610	1	COVER, PUMP		Can be used on the 125200-50631 only	
24	+	125383-13310	1	BASE, PRIMER		Can be used on the 125200-50632 only	
26	+	125381-46730	1	PUMP, PRIMING		Sus. by 125381-08660	
26	+	125381-08660	1	PUMP, PRIMING			
27	+	125363-11610	1	RING			
28	+	125310-11610	2	SCREW			
29	+	125334-13930	1	SCREW, IDLE ADJUST		Can be used on the 125200-50631 only	

8. Carburetor(Sr/Nr 205480 and before)

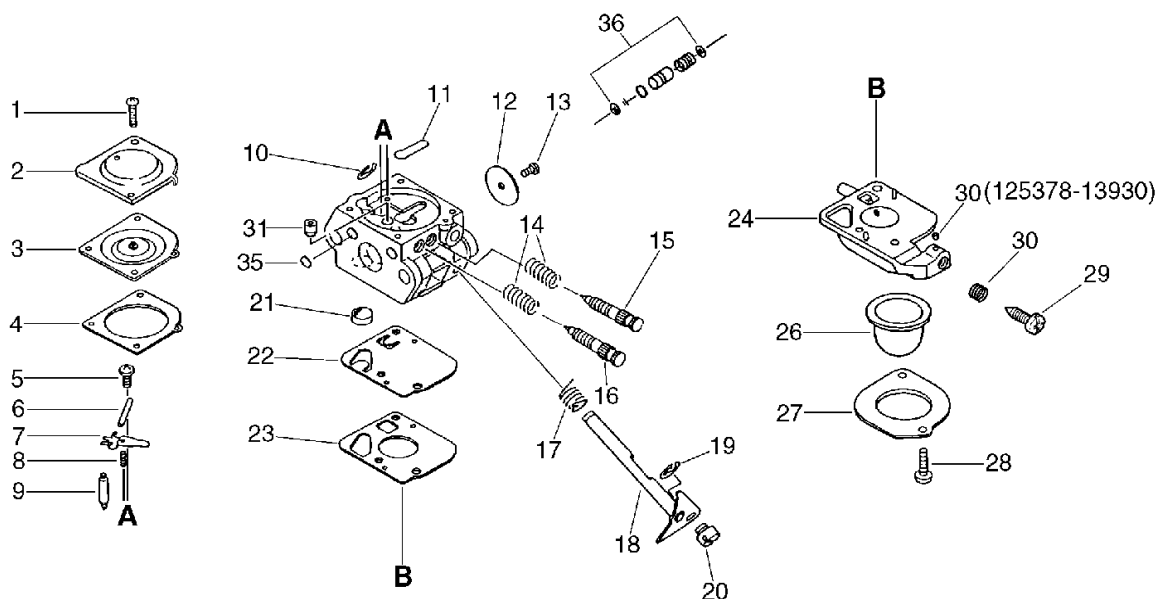
No.8



KEY	LV	PART NUMBER	Q'TY	DESCRIPTION	REMARKS	NOTE1	NOTE2
29	+	125334-08560	1	SCREW, IDLE ADJUST		Can be used on the 125200-50632 only	
30	+	125378-13930	1	PIECE, FRICTION		Can be used on the 125200-50631 only	
30	+	125333-08560	1	SPRING,ADJUST SCREW		Can be used on the 125200-50632 only	
31	+	125376-11610	1	NOZZLE, CHECK VALVE			

9. Carburetor(Sr/Nr 205481 and after)

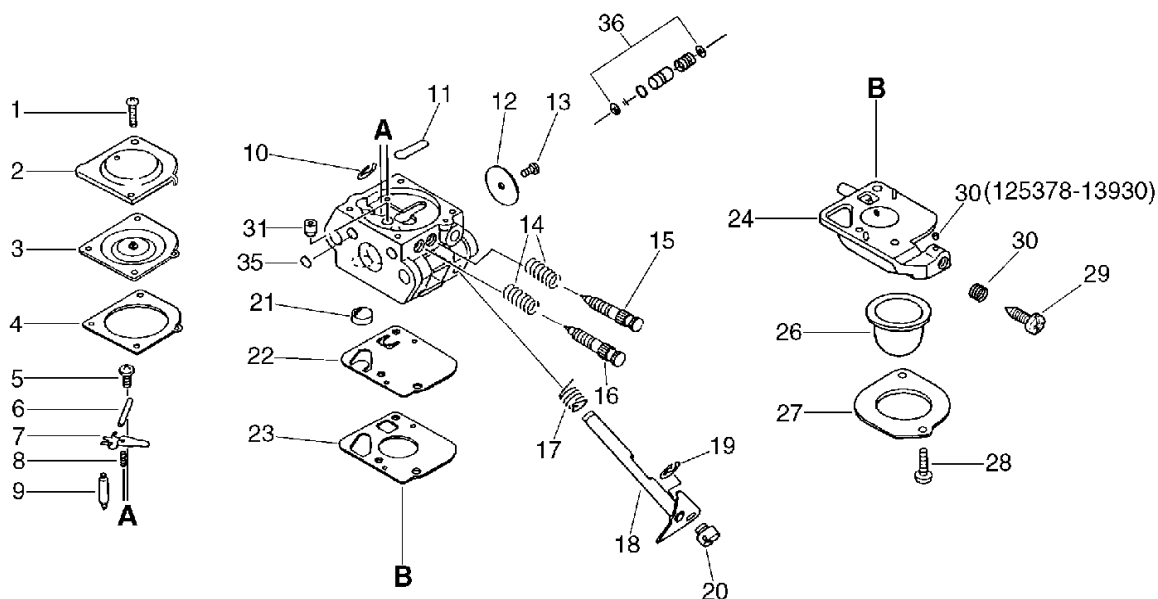
No.9



KEY	LV	PART NUMBER	Q'TY	DESCRIPTION	REMARKS	NOTE1	NOTE2
		125200-49030	1	CARBURETOR ASSY	C1U-K47	Sus. by 125200-13314	
		125200-13311	1	CARBURETOR C1U-K52	C1U-K52	Sus. by 125200-13314	
		125200-13312	1	CARBURETOR	C1U-K52	Sus. by 125200-13314	
		125200-13313	1	CARBURETOR	C1U-K52	Sus. by 125200-13314	
		125200-13314	1	CARBURETOR	C1U-K52	Sr/Nr 205481 and after	
1	+	125344-52130	2	SCREW			
2	+	125342-13210	1	COVER, DIAPHRAGM			
3	+	125341-49030	1	DIAPHRAGM			
4	+	125340-51030	1	GASKET, DIAPHRAGM			
5	+	125339-42030	1	SCREW			
6	+	125338-13930	1	PIN, METERING ARM			
7	+	125323-42030	1	LEVER, METERING			
8	+	125322-42030	1	SPRING, COIL			
9	+	125337-06960	1	VALVE, INLET NEEDLE			
10	+	125327-15130	1	CLIP			
11	+	125345-15130	1	PLUG, WELCH			
12	+	125316-49030	1	VALVE, THROTTLE			
13	+	125314-13930	1	SCREW	3*4		
14	+	125319-42030	2	SPRING, COIL		Can be used on the 125200-49030 only	

9. Carburetor(Sr/Nr 205481 and after)

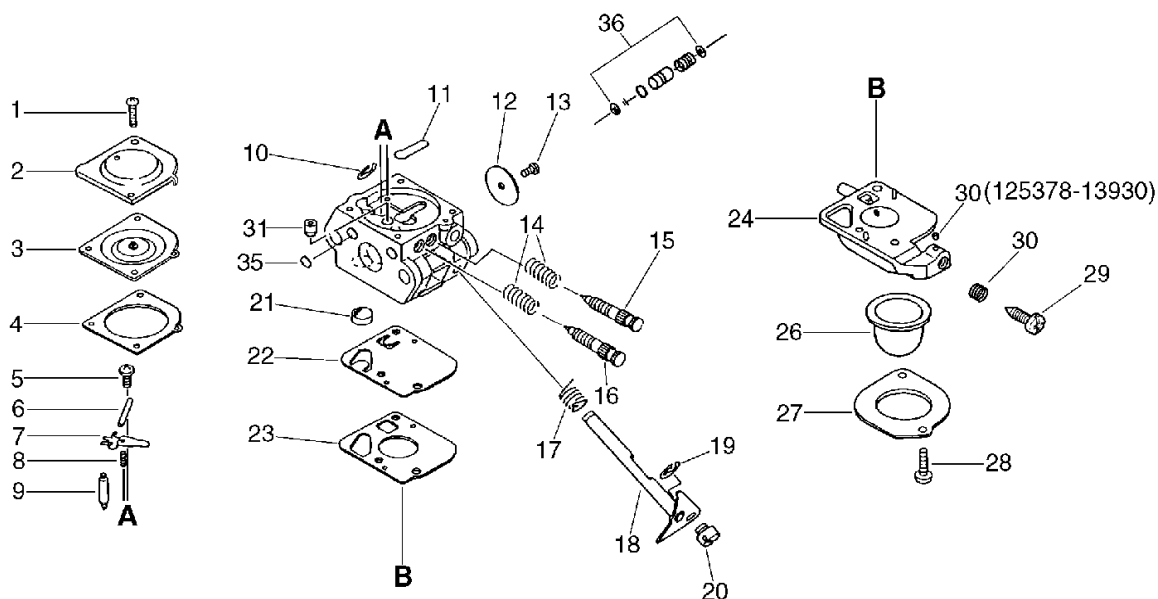
No.9



KEY	LV	PART NUMBER	Q'TY	DESCRIPTION	REMARKS	NOTE1	NOTE2
15	+	125318-07360	1	NEEDLE, IDLE		Sr/Nr 290321 and before	
15	+	125318-13120	1	SCREW, IDLE NEEDLE		Sr/Nr 290322 and after	
16	+	125320-07360	1	NEEDLE, HIGH SPEED		Sr/Nr 290321 and before	
16	+	125320-13310	1	NEEDLE, HIGH SPEED		Sr/Nr 290322 and after	
17	+	125313-42030	1	SPRING, THRT. RETURN			
18	+	125317-49030	1	SHAFT, THROTTLE		Sr/Nr 290321 and before	
18	+	125317-13310	1	SHAFT, THROTTLE		Sr/Nr 290322 and after	
19	+	125327-13930	1	CLIP			
20	+	125372-42030	1	SWIVEL			
21	+	125326-42030	1	STRAINER			
22	+	125312-49030	1	DIAPHRAGM, FUEL PUMP		Sr/Nr 290321 and before	
22	+	125312-12820	1	DIAPHRAGM, FUEL PUMP		Sr/Nr 290322 and after	
23	+	125325-13310	1	GASKET, PUMP		Sr/Nr 290321 and before	
23	+	125340-51030	1	GASKET, DIAPHRAGM		Sr/Nr 290322 and after	
24	+	125383-13310	1	BASE, PRIMER		Sus. by P005-000590	

9. Carburetor(Sr/Nr 205481 and after)

No.9



KEY	LV	PART NUMBER	Q'TY	DESCRIPTION	REMARKS	NOTE1	NOTE2
24	+	P005-000590	1	BASE,ASY PRIMER			
26	+	125381-08660	1	PUMP, PRIMING			
27	+	125363-11610	1	RING			
28	+	125310-11610	2	SCREW			
29	+	125334-13930	1	SCREW, IDLE ADJUST		Sr/Nr 299417 and before	
29	+	125334-06960	1	SCREW, THROTTLE ADJUST		Sr/Nr 299418 and after	
30	+	125378-13930	1	PIECE, FRICTION		Sr/Nr 299417 and before	
30	+	125333-06960	1	SPRING, IDLE ADJUSTER		Sr/Nr 299418 and after	
31	+	125376-49030	1	NOZZLE, CHACK VALVE		Sr/Nr 290321 and before	
31	+	125376-13120	1	NOZZLE, CHECK VALVE		Sr/Nr 290322 and after	
35	+	125345-13310	1	PLUG, WELCH		Sr/Nr 290322 and after	
36	+	125306-13310	1	PUMP KIT, ACC.		Sr/Nr 205481 to 299417	
36	+	125306-13120	1	PUMP KIT, ACC.		Sr/Nr 299418 and after	
		125303-13310	1	DIAPHRAGM/GASKET KIT			
		125300-13310	1	REBUILD KIT			

10. Repair Kit

KEY	LV	PART NUMBER	Q'TY	DESCRIPTION	REMARKS	NOTE1	NOTE2
		125303-13310	1	DIAPHRAGM/GASKET KIT			
	+	125312-42030	1	DIAPHRAGM, FUEL PUMP			
	+	125325-13310	1	GASKET, PUMP			
	+	125341-49030	1	DIAPHRAGM			
	+	125340-51030	1	GASKET, DIAPHRAGM			
		125300-13310	1	REBUILD KIT			
	+	125312-42030	1	DIAPHRAGM, FUEL PUMP			
	+	125325-13310	1	GASKET, PUMP			
	+	125337-06960	1	VALVE, INLET NEEDLE			
	+	125322-42030	1	SPRING, COIL			
	+	125323-42030	1	LEVER, METERING			
	+	125338-13930	1	PIN, METERING ARM			
	+	125341-49030	1	DIAPHRAGM			
	+	125340-51030	1	GASKET, DIAPHRAGM			
	+	125326-42030	1	STRAINER			
	+	125345-15130	1	PLUG, WELCH			

Index

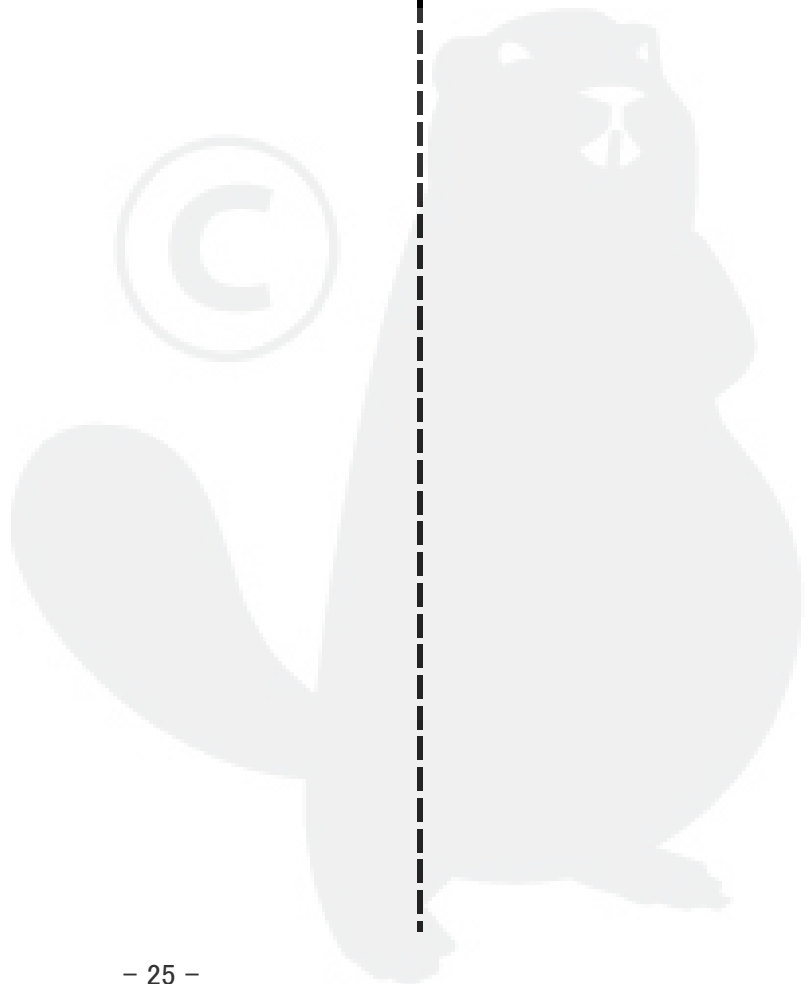
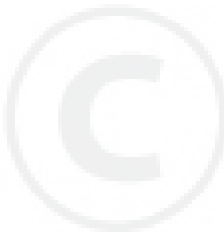
Patrs Number	Key No.	Patrs Number	Key No.	Patrs Number	Key No.
100000-48730	1 - 8	125312-42030	10 -	125338-13930	8 - 6
100000-48731	1 - 8	125312-42030	8 - 22	125338-13930	9 - 6
100000-48732	1 - 8	125312-49030	9 - 22	125339-42030	8 - 5
100011-05330	1 - 9	125313-42030	8 - 17	125339-42030	9 - 5
100012-51230	1 - 4	125313-42030	9 - 17	125340-42030	8 - 4
100013-11520	1 - 10	125314-13930	8 - 13	125340-51030	10 -
100014-11520	1 - 12	125314-13930	9 - 13	125340-51030	10 -
100015-04630	1 - 11	125316-42030	8 - 12	125340-51030	9 - 4
100100-44732	1 - 17	125316-49030	9 - 12	125340-51030	9 - 23
100204-51030	1 - 14	125317-13310	9 - 18	125341-42030	8 - 3
100204-52130	1 - 14	125317-42030	8 - 18	125341-49030	10 -
100204-52131	1 - 14	125317-49030	9 - 18	125341-49030	10 -
100204-52132	1 - 14	125318-07360	9 - 15	125341-49030	9 - 3
100212-42030	1 - 13	125318-13120	9 - 15	125342-13210	8 - 2
100212-42031	1 - 13	125318-42030	8 - 15	125342-13210	9 - 2
100215-03930	1 - 15	125319-42030	8 - 14	125342-52130	8 - 2
100242-42030	1 - 18	125319-42030	9 - 14	125344-52130	8 - 1
101010-44332	1 - 7	125320-07360	9 - 16	125344-52130	9 - 1
101011-06560	1 - 5	125320-13310	9 - 16	125345-13310	9 - 35
101011-06561	1 - 5	125320-47630	8 - 16	125345-15130	10 -
101011-06562	1 - 5	125322-42030	10 -	125345-15130	8 - 11
101011-46830	1 - 5	125322-42030	8 - 8	125345-15130	9 - 11
101503-52131	1 - 25	125322-42030	9 - 8	125363-11610	8 - 27
101514-48930	1 - 23	125323-42030	10 -	125363-11610	9 - 27
125200-13311	3 - 10	125323-42030	8 - 7	125372-42030	8 - 20
125200-13311	9 -	125323-42030	9 - 7	125372-42030	9 - 20
125200-13312	3 - 10	125324-11610	8 - 24	125376-11610	8 - 31
125200-13312	9 -	125325-13310	10 -	125376-13120	9 - 31
125200-13313	3 - 10	125325-13310	10 -	125376-49030	9 - 31
125200-13313	9 -	125325-13310	8 - 23	125378-13930	8 - 30
125200-13314	3 - 10	125325-13310	9 - 23	125378-13930	9 - 30
125200-13314	9 -	125325-42030	8 - 23	125381-08660	8 - 26
125200-49030	3 - 10	125326-42030	10 -	125381-08660	9 - 26
125200-49030	9 -	125326-42030	8 - 21	125381-46730	8 - 26
125200-50631	3 - 10	125326-42030	9 - 21	125383-13310	8 - 24
125200-50631	8 -	125327-13930	8 - 19	125383-13310	9 - 24
125200-50632	3 - 10	125327-13930	9 - 19	129011-05060	3 - 16
125200-50632	8 -	125327-15130	8 - 10	129011-52730	3 - 16
125300-13310	10 -	125327-15130	9 - 10	130010-42032	3 - 5
125300-13310	9 -	125333-06960	9 - 30	130016-42031	3 - 9
125303-13310	10 -	125333-08560	8 - 30	130017-42031	3 - 7
125303-13310	9 -	125334-06960	9 - 29	130307-06561	3 - 14
125306-13120	9 - 36	125334-08560	8 - 29	130310-54130	3 - 18
125306-13310	9 - 36	125334-13930	8 - 29	130313-06561	3 - 19
125310-11610	8 - 28	125334-13930	9 - 29	130313-06563	3 - 19
125310-11610	9 - 28	125337-06960	10 -	131004-06560	4 - 16
125312-12820	8 - 22	125337-06960	8 - 9	131004-08960	4 - 16
125312-12820	9 - 22	125337-06960	9 - 9	131005-44331	4 - 15
125312-42030	10 -	125338-13930	10 -	131005-46830	4 - 15

Index

Patrs Number	Key No.	Patrs Number	Key No.	Patrs Number	Key No.
131005-46831	4 - 15	178010-52130	5 - 19	895112-00330	7 - 16
131016-40930	4 - 17	178012-52730	5 - 35	895410-08030	7 - 17
131016-55830	4 - 17	178013-52630	5 - 36	897518-01131	7 - 15
131051-52430	4 - 20	178043-42230	5 - 18	899580-40930	7 - 18
131205-07320	4 - 10	178090-52630	5 - 37	899580-68730	7 - 18
131300-56430	4 - 5	178090-52631	5 - 37	900100-05035	6 - 15
131312-39130	4 - 7	178090-52632	5 - 37	900105-05055	3 - 36
131312-44330	4 - 7	178127-50330	5 - 20	900142-05025	1 - 42
132010-13930	4 - 11	210417-52730	3 - 20	900162-04016	1 - 20
132010-56330	4 - 6	301200-29430	5 - 16	900162-04016	1 - 26
132012-51030	4 - 6	351201-51730	5 - 1	900162-04016	2 - 35
132013-09820	4 - 9	351210-51730	5 - 4	900162-04022	2 - 8
132115-46730	4 - 8	351213-51730	5 - 3	900162-05022	1 - 6
145510-42031	3 - 22	351213-52130	5 - 23	900162-05028	1 - 19
145631-42030	3 - 28	610013-44730	5 - 32	900163-04016	1 - 20
145800-54130	3 - 30	610206-44730	5 - 28	900163-04016	1 - 26
145863-54130	3 - 26	610217-44730	5 - 30	900163-04016	2 - 35
145866-42031	3 - 24	610239-04130	6 - 32	900238-04010	3 - 35
145871-44331	3 - 28	610246-44730	5 - 29	900238-05016	1 - 21
145876-42030	3 - 25	610272-52130	5 - 24	900238-05016	4 - 12
156112-40630	2 - 13	610280-54130	5 - 39	900238-05016	7 - 6
156601-44731	2 - 9	610281-54130	5 - 39	900238-05016	7 - 10
156801-44731	2 - 7	610300-44830	6 - 13	900238-05020	3 - 8
159011-03432	2 - 11	610313-47731	6 - 28	900242-05010	6 - 17
159012-03433	2 - 10	610315-07130	6 - 25	900242-05014	5 - 17
159017-10230	2 - 12	610360-08931	6 - 23	900242-05025	5 - 15
159912-54130	1 - 22	610402-47731	6 - 6	900242-05028	5 - 25
162010-52830	2 - 16	610402-47732	6 - 6	900242-05035	5 - 5
163401-55630	5 - 10	610413-07130	6 - 26	900242-05035	5 - 14
163401-55631	5 - 10	610434-50030	6 - 16	900242-05065	3 - 17
175000-49030	2 - 6	610434-50031	6 - 16	900246-05030	5 - 6
175000-56830	2 - 6	610903-55230	1 - 39	900253-04025	5 - 40
175005-48930	1 - 33	610910-55230	1 - 37	900500-00005	3 - 6
175005-48931	1 - 33	610922-27432	1 - 41	900500-00005	5 - 2
177200-44334	2 - 26	610923-55230	1 - 40	900500-00005	5 - 13
177200-54130	2 - 26	699000-40931	7 - 4	900500-00005	5 - 13
177202-44330	2 - 20	699004-40931	7 - 4	900500-00005	7 - 8
177202-44331	2 - 20	699010-27231	7 - 5	900502-00006	5 - 22
177215-44430	2 - 29	699016-44330	7 - 7	900528-00005	3 - 20
177218-44330	2 - 24	699018-40830	7 - 9	900600-00005	3 - 37
177220-42030	2 - 33	890115-54130	1 - 24	900600-00005	6 - 14
177226-10120	2 - 30	890118-48830	7 - 12	900603-00005	4 - 14
177227-42030	2 - 31	890118-49130	2 - 36	900701-00012	1 - 36
177228-06530	2 - 32	890121-05360	3 - 21	900702-00022	6 - 8
177234-12220	2 - 23	890152-04930	5 - 31	900702-00028	1 - 34
177234-42030	2 - 23	890157-39130	5 - 33	900702-00032	6 - 27
177236-44330	2 - 27	890168-44830	7 - 11	900706-00010	6 - 29
178001-56730	5 - 21	890617-52730	5 - 9	900706-00012	6 - 7
178003-52130	5 - 11	890617-63630	5 - 9	900800-00609	6 - 21

Index

Patrs Number	Key No.	Patrs Number	Key No.	Patrs Number	Key No.
900807-06001	1 - 35				
900810-06201	6 - 24				
900810-36201	1 - 16				
900855-06900	6 - 10				
900858-06900	6 - 9				
94035-36201	1 - 16				
A011-000000	1 - 17				
A011-000001	1 - 17				
A011-000002	1 - 17				
A101-000000	1 - 9				
A130-000010	1 - 5				
A130-000020	1 - 5				
A130-000021	1 - 5				
A313-000000	3 - 26				
A320-000250	3 - 28				
A320-000251	3 - 28				
A356-000030	4 - 5				
C050-000460	5 - 28				
C552-000110	7 - 9				
P005-000590	9 - 24				
P021-001100	1 - 8				
P021-001101	1 - 8				
P021-001102	1 - 8				
P021-001380	3 - 30				
P021-001382	3 - 30				
P021-001383	3 - 30				
P021-001384	3 - 30				
P021-002861	7 - 18				
P021-002921	3 - 14				
V103-000110	3 - 9				
V103-000111	3 - 9				
V104-000001	3 - 24				
V104-000003	3 - 24				
V137-000030	4 - 8				
V471-001190	4 - 11				
V471-001200	4 - 7				
V553-000010	1 - 4				
V622-000020	1 - 15				
X505-000140	5 - 9				
X602-000020	7 - 17				



YAMABIKO CORPORATION

7-2 SUEHIROCHO 1-CHOME, OHME, TOKYO 198-8760, JAPAN
PHONE: 81-428-32-6118. FAX: 81-428-32-6145.

ECHO®



2100
No.