



PARTS CATALOG

BACKPACK BRUSHCUTTER

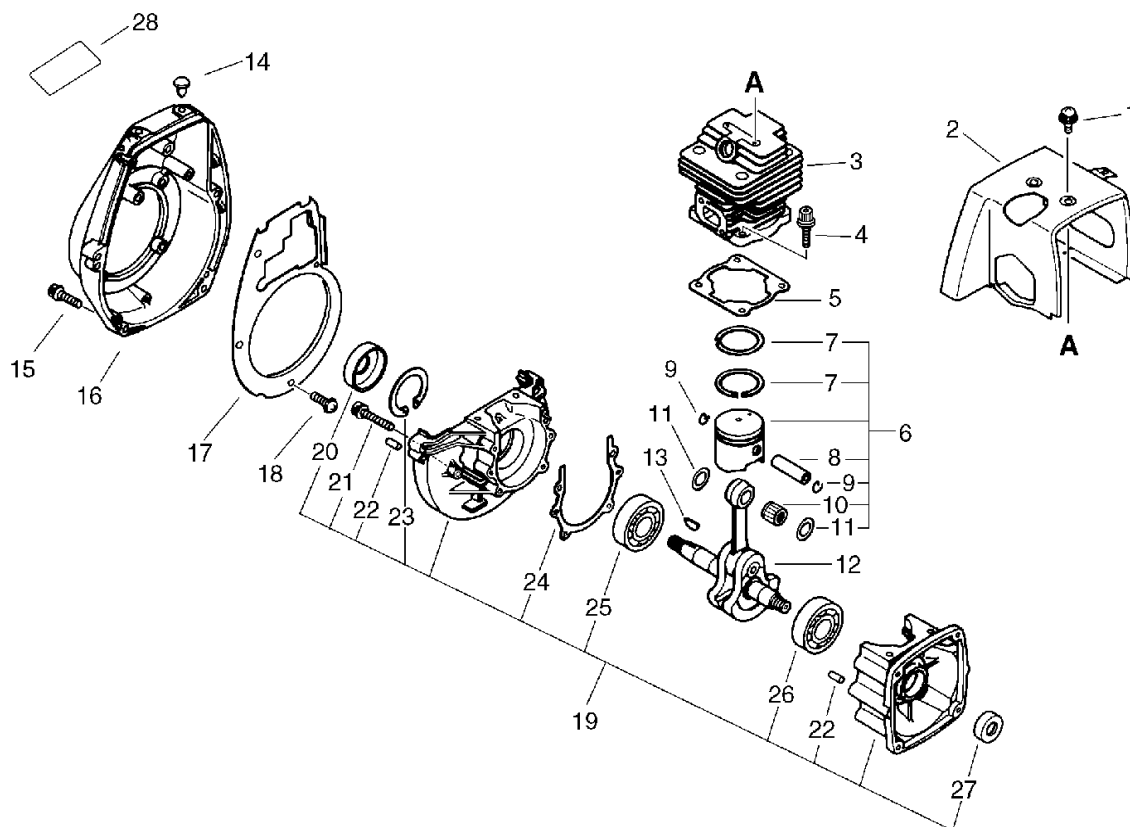
RM-385,465



RM-385,465

1. Cylinder, Crankcase, Piston, Fan Cover

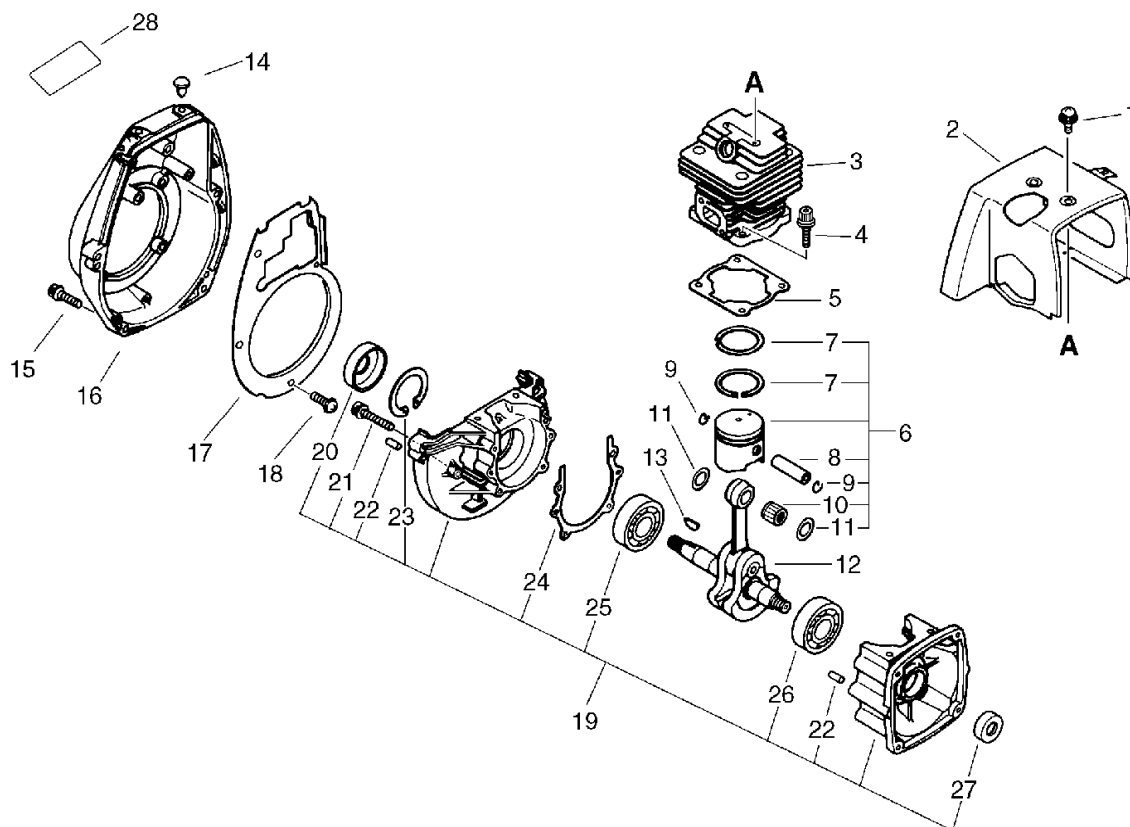
No.1



KEY	LV	PART NUMBER	Q'TY	DESCRIPTION	REMARKS	NOTE1	NOTE2
1		900238-05010	2	SCREW 5*10	5*10		
2		101514-42230	1	COVER, CYLINDER (BS)			
3		101011-43130	1	CYLINDER		RM-385	
3		101011-43230	1	CYLINDER		RM-465	
4		900162-05020	4	BOLT, H.S. 5*20	5*20 W,SW		
5		101010-42231	1	GASKET, CYL. BASE			
6		100000-43130	1	PISTON KIT		Sus. by 100000-43131	
6		100000-43131	1	PISTON KIT		RM-385	
6		100000-43230	1	PISTON KIT		Sus. by 100000-43231	
6		100000-43231	1	PISTON KIT		RM-465	
7	+	100011-42230	2	RING, PISTON		RM-385	
7	+	100011-43230	2	RING, PISTON		RM-465	
8	+	100013-00410	1	PIN, PISTON	6*10*29.8		
9	+	100015-00120	2	CIRCLIP, PISTON PIN			
10	+	100012-27930	1	BEARING, NEEDLE		Sus. by 100012-12331	
10	+	100012-12331	1	BEARING, NEEDLE			
11	+	100014-17330	2	SPACER, PISTON PIN		Sus. by V307-000050	
11	+	V307-000050	2	WASHER,CIRCULAR 10			
12		100100-43130	1	CRANKSHAFT ASSY			
13		100142-12330	1	KEY, WOODRUFF			
14		880517-40030	1	PLUG			
15		900162-05025	4	BOLT, H.S. 5*25	5*25 W,SW		

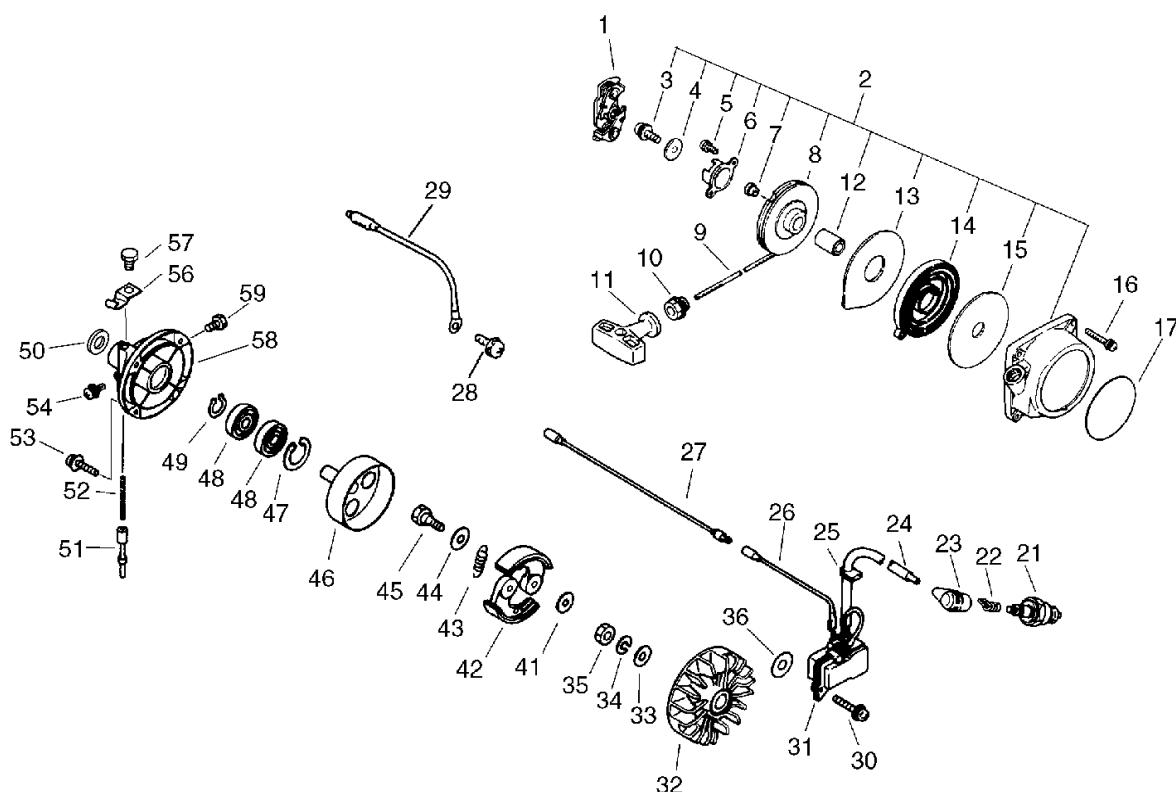
1. Cylinder, Crankcase, Piston, Fan Cover

No.1



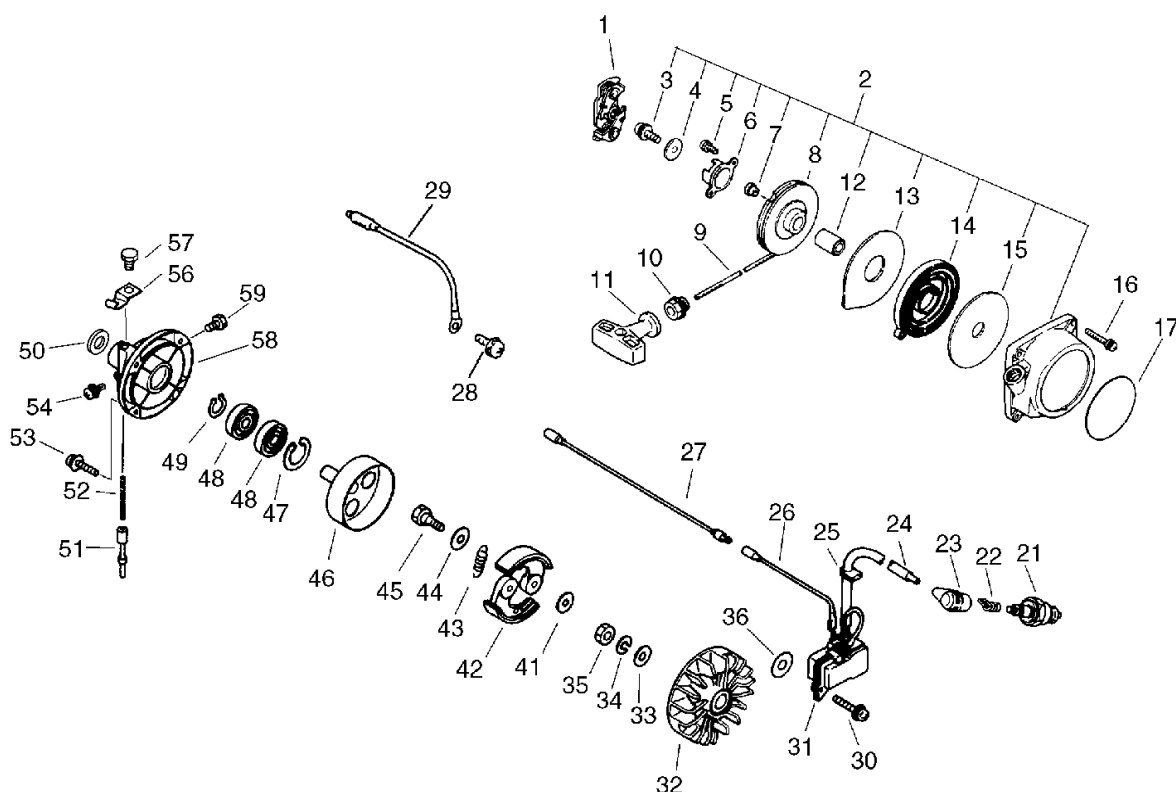
KEY	LV	PART NUMBER	Q'TY	DESCRIPTION	REMARKS	NOTE1	NOTE2
16		101511-42230	1	COVER, FAN (BS)			
17		101534-42230	1	PLATE, GUIDE			
18		900238-04010	4	SCREW 4*10	4*10		
19		100204-42230	1	CRANKCASE KIT			
20	+	100213-02830	1	OILSEAL	ISMX15,35,6		
21	+	900162-05030	4	BOLT, H.S. 5*30	5*30 W,SW		
22	+	100215-02830	4	PIN, DOWEL			
23	+	900702-00035	1	CIRCLIP 35	CR-35		
24	+	100242-42230	1	GASKET, CRANKCASE			
25	+	900810-36202	1	BEARING, BALL 6202	6202/C3		
26	+	900810-36201	1	BEARING, BALL 6201	6201/C3	Sus. by 94035-36201	
26	+	94035-36201	1	BEARING BALL	6201X3JR2C3		
27	+	100212-27930	1	OILSEAL	ISD 12 25 7		
28		890611-42230	1	LABEL, MODEL		RM-385	
28		890611-51630	1	LABEL, MODEL		RM-465	

2. Starter, Magneto, Clutch



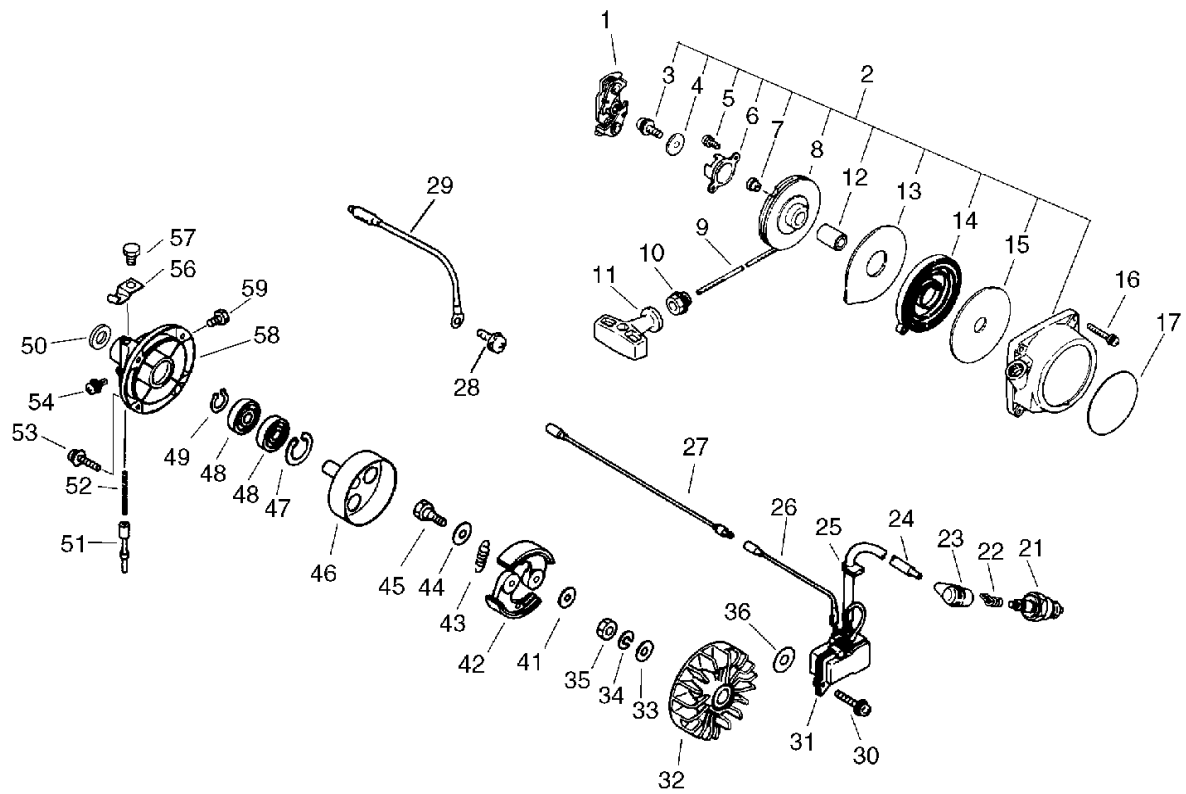
KEY	LV	PART NUMBER	Q'TY	DESCRIPTION	REMARKS	NOTE1	NOTE2
1		177305-40530	1	PAWL ASS'Y, STARTER			
2		177200-42230	1	STARTER ASSY			
3	+	900238-05014	1	SCREW 5*14	5*14		
4	+	177214-02830	1	WASHER	5.2*16*1.0T		
5	+	900241-04008	2	SCREW 4*8	4*8		
6	+	177243-04130	1	CATCHER, PAWL			
7	+	177246-03930	1	CLIP, STARTER ROPE			
8	+	177215-04130	1	DRUM, STARTER			
9	+	177226-27430	1	ROPE, STARTER	3.8*850		
10	+	177227-05020	1	GUIDE, ROPE			
11	+	177228-19830	1	GRIP, STARTER			
12	+	177216-12330	1	COLLAR			
13	+	177242-06721	1	PLATE, STARTER			
14	+	177220-03930	1	SPRING, REWIND			
15	+	177221-06720	1	PLATE, STARTER			
16		900162-04020	4	BOLT, H.S. 4*20	4*20 W,SW		
17		890118-49330	1	LABEL, ECHO			
21		159017-10230	1	PLUG, SPARK (RCJ-7Y)	RCJ-7Y		
22		159011-03432	1	COIL, SPARK PLUG			
23		159012-03433	1	CAP, SPARK PLUG			
24		178127-46630	1	TUBE	10*11*70		
25		156112-28230	1	GROMMET			
26		162021-42230	1	LEAD			
27		162014-42230	1	LEAD, GROUND			
28		900238-05010	1	SCREW 5*10	5*10		
29		162010-27230	1	LEAD			

2. Starter, Magneto, Clutch



KEY	LV	PART NUMBER	Q'TY	DESCRIPTION	REMARKS	NOTE1	NOTE2
30		900238-05020	2	SCREW 5*20	5*20		
31		156626-42230	1	COIL, IGNITION		Sus. by set of 156601-12920 and 900600-00006	
31		156601-12920	1	COIL,IGNITION			
32		156801-42230	1	FLYWHEEL			
33		900600-00010	1	WASHER 10	10		
34		900605-00010	1	WASHER, SPRING 10	10		
35		900503-00010	1	NUT 10 (3N *1.25)	3N10*P1.25		
36		900600-00006	2	WASHER 6	6		
41		175049-03920	2	WASHER			
42		175009-42231	2	SHOE, CLUTCH			
43		175018-42230	1	SPRING, CLUTCH			
44		175048-03920	2	WASHER			
45		175046-06230	2	BOLT, CLUTCH			
46		175005-42230	1	DRUM, CLUTCH			
47		900702-00028	1	CIRCLIP 28	CR-28		
48		900802-06001	2	BEARING, BALL 6001	6001DDU(LLU)	Sus. by 94042- 06001	
48		94042-06001	2	BEARING BALL	6001LLU		
49		900701-00012	1	CIRCLIP 12	CS-12		
50		175313-20430	1	RING, FELT			
51		610252-07130	1	LOCKPIN			
52		610251-07130	1	SPRING			
53		900238-05016	4	SCREW 5*16	5*16		

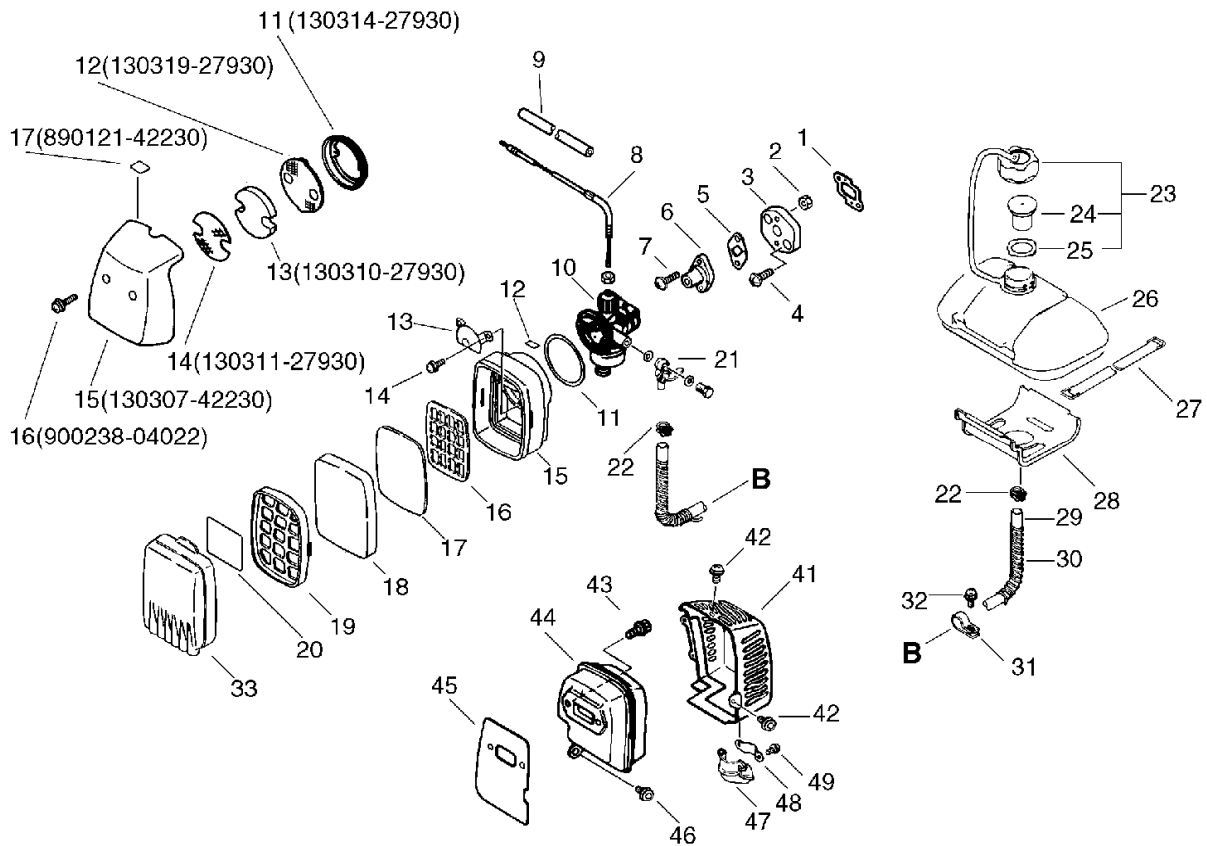
2. Starter, Magneto, Clutch



KEY	LV	PART NUMBER	Q'TY	DESCRIPTION	REMARKS	NOTE1	NOTE2
54		900238-04008	1	SCREW 4*8	4*8		
56		1781111-51630	1	HOLDER, CABLE			
57		610250-07130	1	BOLT			
58		610223-42230	1	FLANGE, D.S. HOUSING			
59		900100-06008	1	BOLT 6*8	6*8		

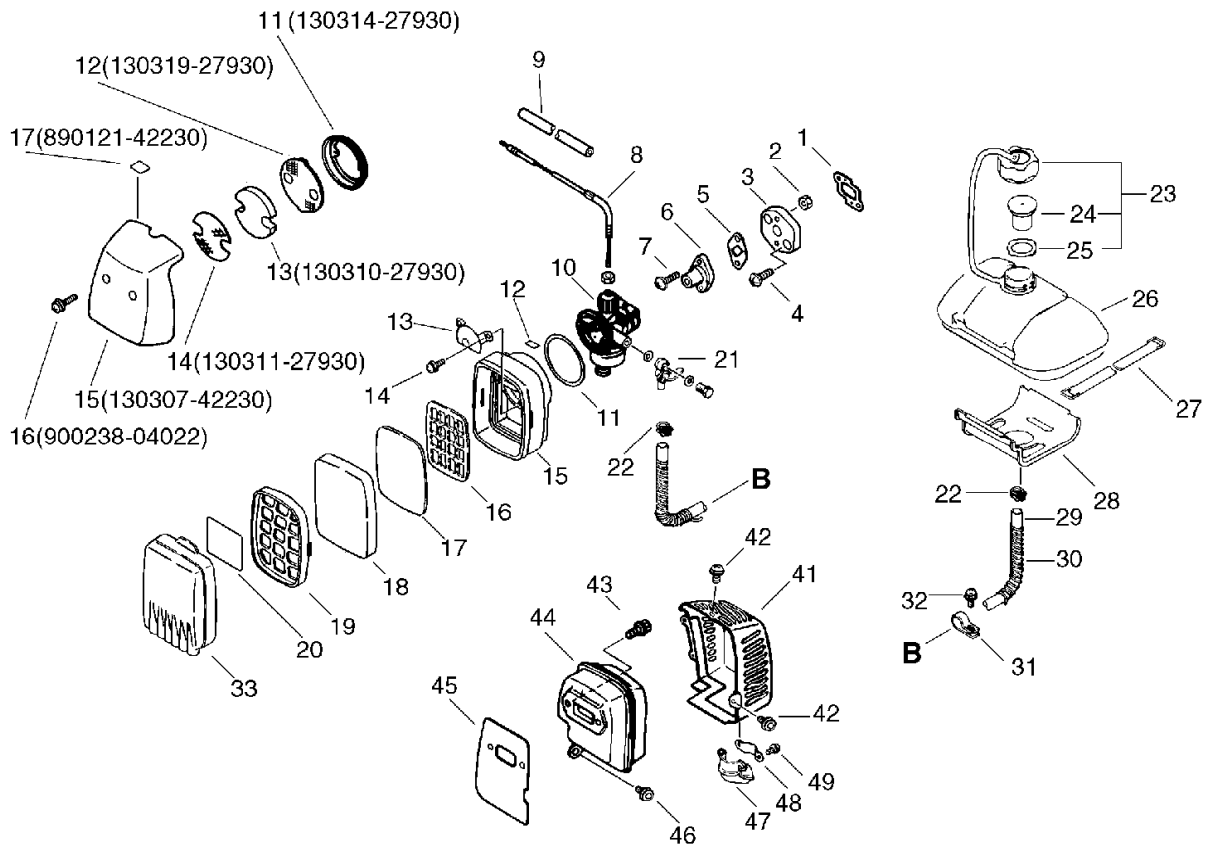
3. Air Cleaner, Muffler, Fuel Tank

No.3



KEY	LV	PART NUMBER	Q'TY	DESCRIPTION	REMARKS	NOTE1	NOTE2
1		130016-42231	1	GASKET, INTAKE			
2		900500-00005	2	NUT 5	5		
3		130017-42230	1	INSULATOR			
4		900238-05014	2	SCREW 5*14	5*14		
5		130010-22430	1	GASKET, INSULATOR			
6		130510-22431	1	ADAPTER, INTAKE			
7		900238-05018	2	SCREW 5*18	5*18		
8		178004-42230	1	WIRE, THROTTLE	310*345		
9		178127-04930	1	TUBE	7*11*30 BL		
10		120000-42231	1	CARBURETOR ASSY			
11		130314-27930	1	CASE, AIR CLEANER		Sr/Nr 003505 and before/RM-385	
11		130314-27930	1	CASE, AIR CLEANER		Sr/Nr 004160 and before/RM-465	
11		130320-05810	1	SEAL, CLEANER		Sr/Nr 003506 and after/RM-385	
11		130320-05810	1	SEAL, CLEANER		Sr/Nr 004161 and after/RM-465	
12		130319-27930	1	GRID, AIR CLEANER		Sr/Nr 003505 and before/RM-385	

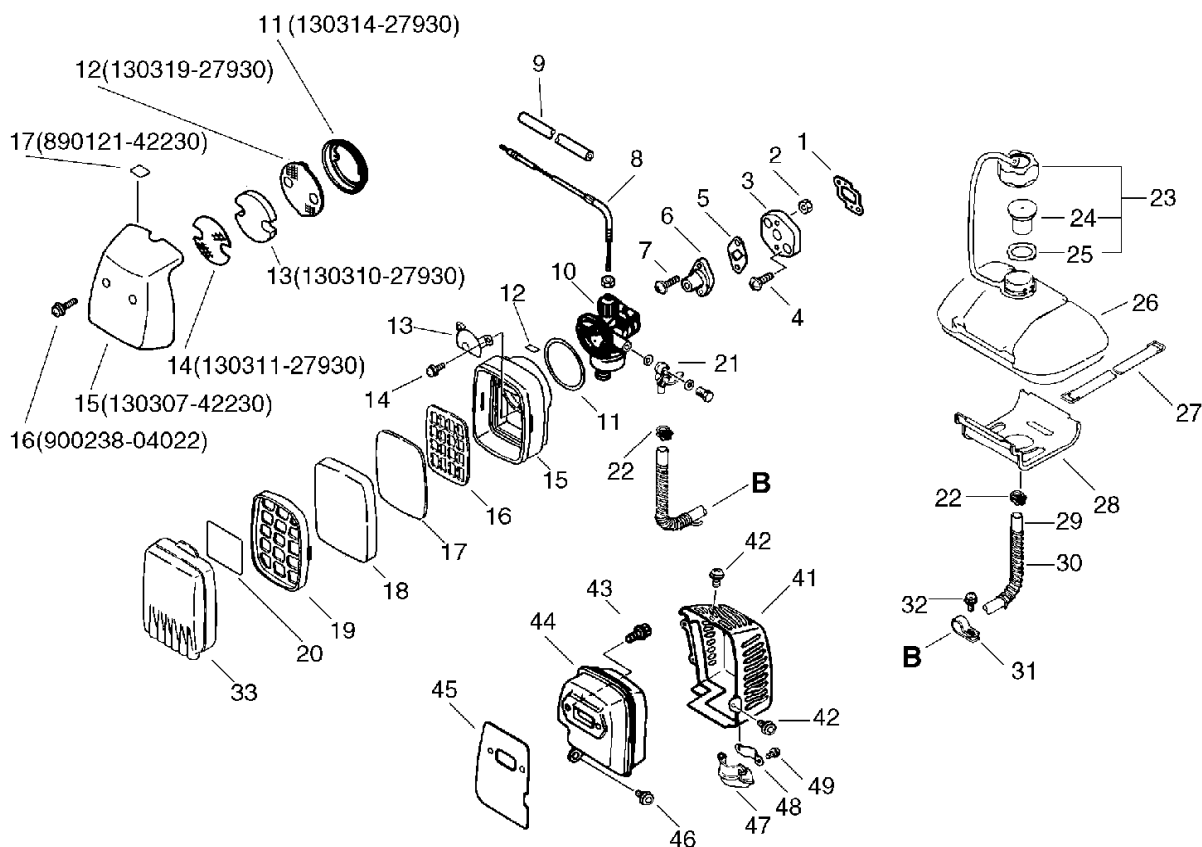
3. Air Cleaner, Muffler, Fuel Tank No.3



KEY	LV	PART NUMBER	Q'TY	DESCRIPTION	REMARKS	NOTE1	NOTE2
12		130319-27930	1	GRID, AIR CLEANER		Sr/Nr 004160 and before/RM-465	
12		890121-21430	1	LABEL, CHOKE		Sr/Nr 003506 and after/RM-385	
12		890121-21430	1	LABEL, CHOKE		Sr/Nr 004161 and after/RM-465	
13		130310-27930	1	FILTER, AIR		Sr/Nr 003505 and before/RM-385	
13		130310-27930	1	FILTER, AIR		Sr/Nr 004160 and before/RM-465	
13		129011-05110	1	PLATE		Sr/Nr 003506 and after/RM-385	
13		129011-05110	1	PLATE		Sr/Nr 004161 and after/RM-465	
14		130311-27930	1	GRID, AIR CLEANER		Sr/Nr 003505 and before/RM-385	

3. Air Cleaner, Muffler, Fuel Tank

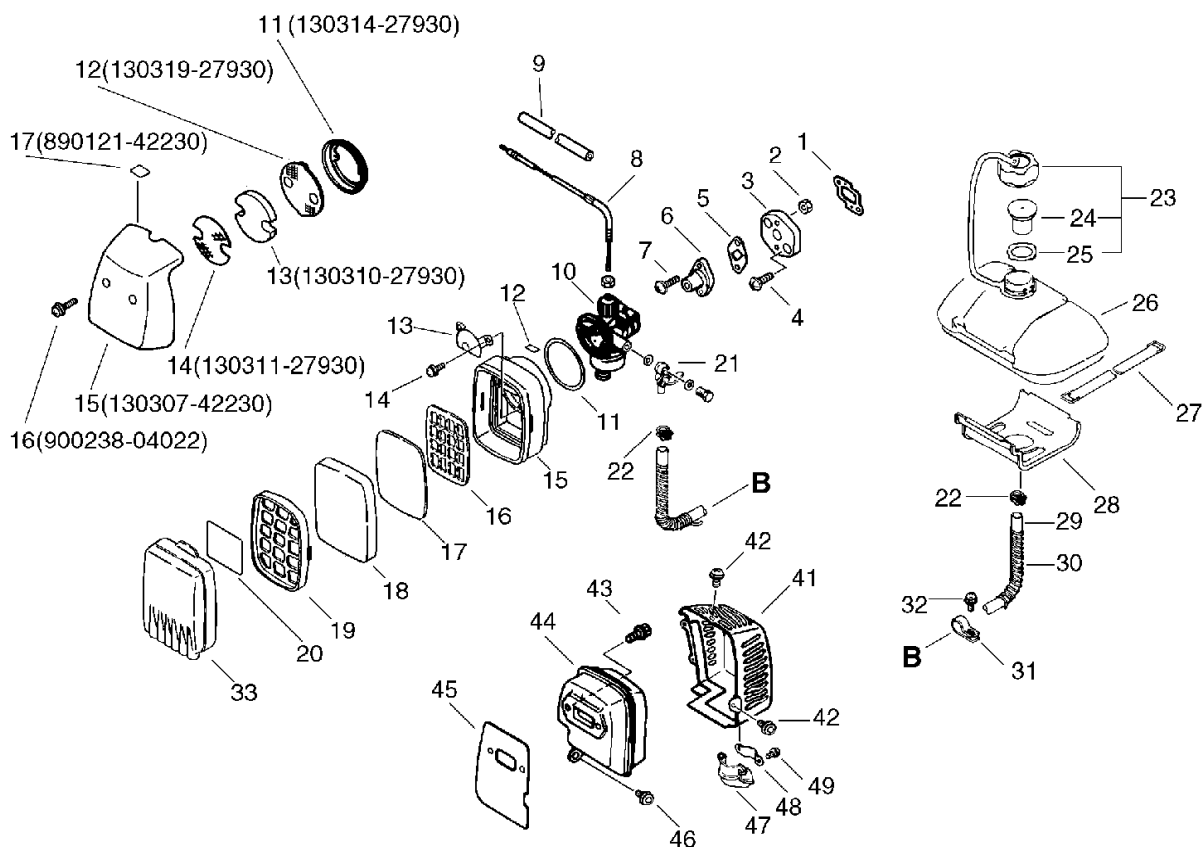
No.3



KEY	LV	PART NUMBER	Q'TY	DESCRIPTION	REMARKS	NOTE1	NOTE2
14		130311-27930	1	GRID, AIR CLEANER		Sr/Nr 004160 and before/RM-465	
14		900242-04012	2	SCREW 4*12	4*12	Sr/Nr 003506 and after/RM-385	
14		900242-04012	2	SCREW 4*12	4*12	Sr/Nr 004161 and after/RM-465	
15		130307-42230	1	CASE, AIR CLEANER		Sr/Nr 003505 and before/RM-385	
15		130307-42230	1	CASE, AIR CLEANER		Sr/Nr 004160 and before/RM-465	
15		130307-10321	1	CASE, AIR CLEANER		Sr/Nr 003506 and after/RM-385	
15		130307-10321	1	CASE, AIR CLEANER		Sr/Nr 004161 and after/RM-465	
16		900238-04022	2	SCREW 4*22	4*22	Sr/Nr 003505 and before/RM-385	

3. Air Cleaner, Muffler, Fuel Tank

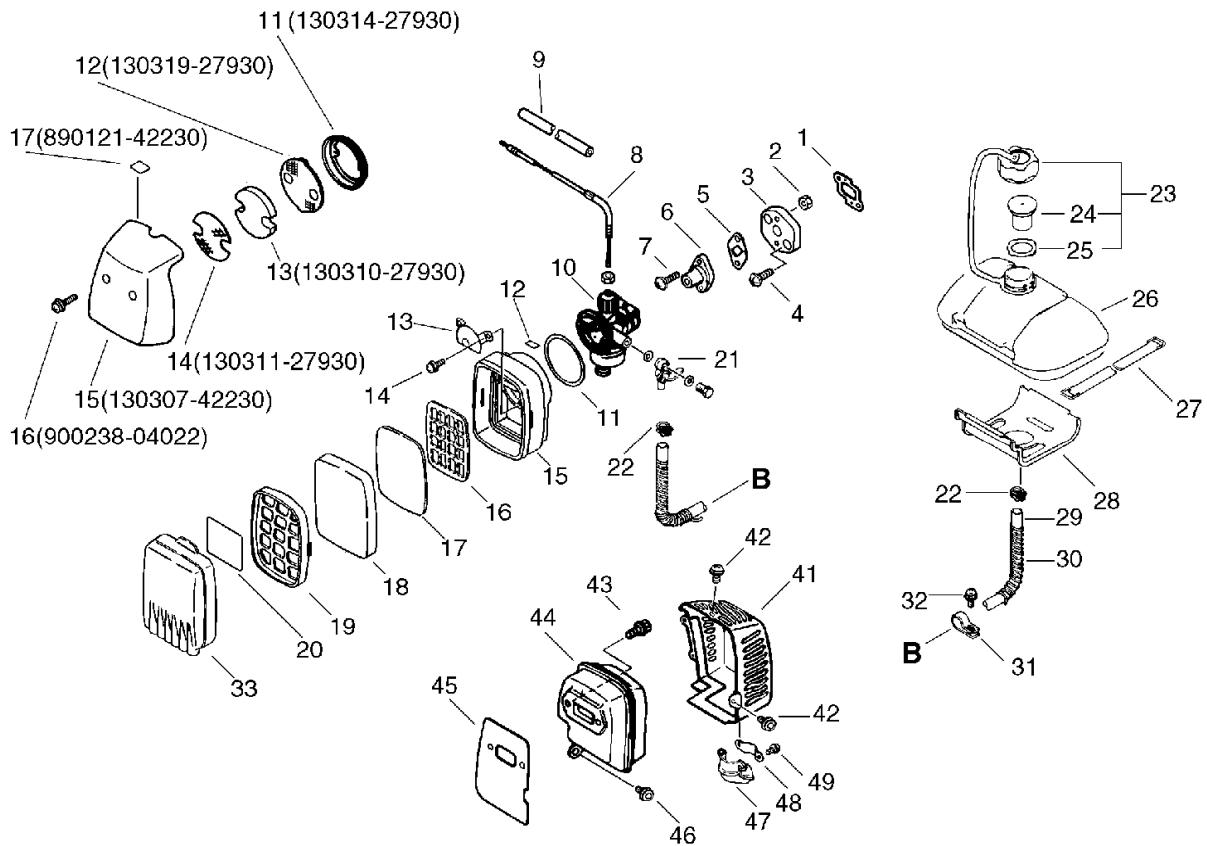
No.3



KEY	LV	PART NUMBER	Q'TY	DESCRIPTION	REMARKS	NOTE1	NOTE2
16		900238-04022	2	SCREW 4*22	4*22	Sr/Nr 004160 and before/RM-465	
16		130319-03710	1	GRID, AIR CLEANER		Sr/Nr 003506 and after/RM-385	
16		130319-03710	1	GRID, AIR CLEANER		Sr/Nr 004161 and after/RM-465	
17		890121-42230	1	LABEL, CHOKE		Sr/Nr 003505 and before/RM-385	
17		890121-42230	1	LABEL, CHOKE		Sr/Nr 004160 and before/RM-465	
17		130317-03710	1	FILTER, AIR		Sr/Nr 003506 and after/RM-385	
17		130317-03710	1	FILTER, AIR		Sr/Nr 004161 and after/RM-465	
18		130310-02910	1	FILTER, AIR		Sr/Nr 003506 and after/RM-385	

3. Air Cleaner, Muffler, Fuel Tank

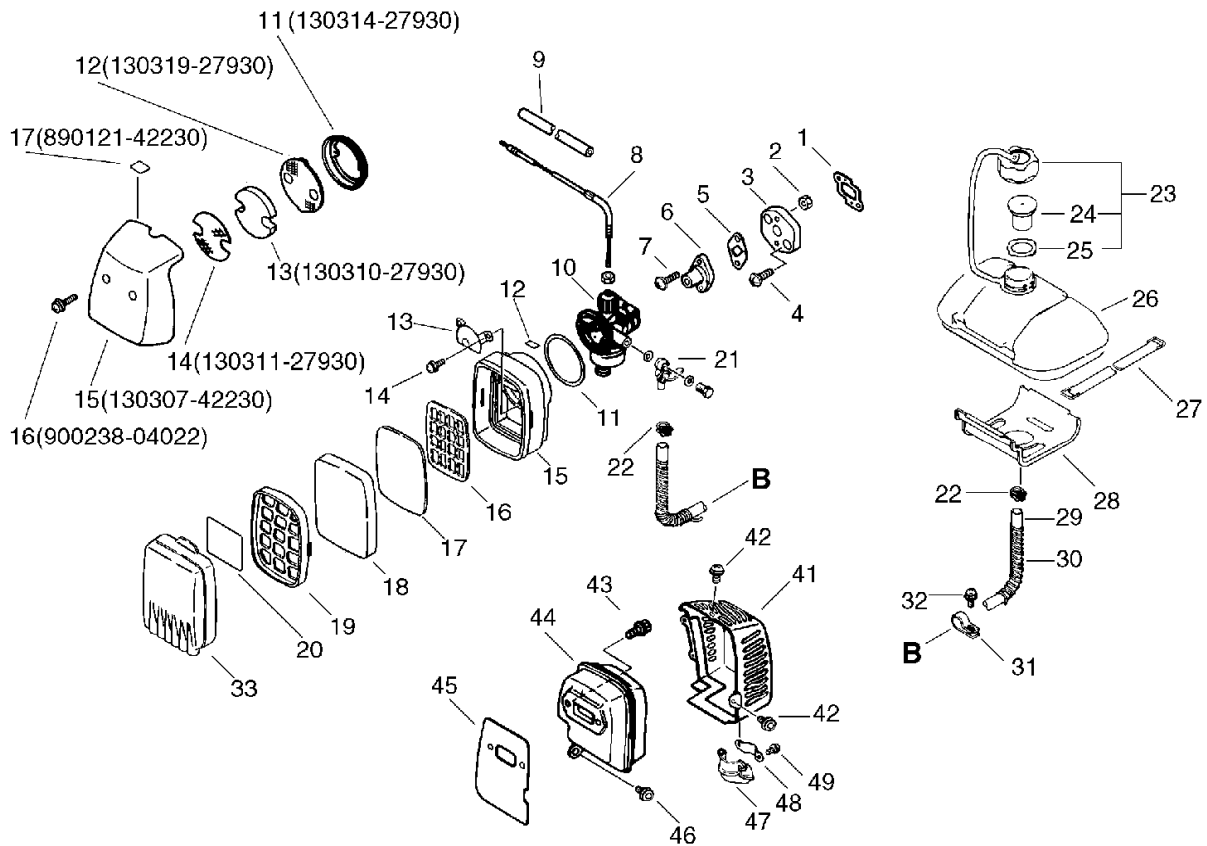
No.3



KEY	LV	PART NUMBER	Q'TY	DESCRIPTION	REMARKS	NOTE1	NOTE2
18		130310-02910	1	FILTER, AIR		Sr/Nr 004161 and after/RM-465	
19		130311-03710	1	GRID, AIR CLEANER		Sr/Nr 003506 and after/RM-385	
19		130311-03710	1	GRID, AIR CLEANER		Sr/Nr 004161 and after/RM-465	
20		890187-03710	1	LABEL, CLEANER		Sr/Nr 003506 and after/RM-385	
20		890187-03710	1	LABEL, CLEANER		Sr/Nr 004161 and after/RM-465	
21		132200-00512	1	VALVE ASS'Y, FUEL			
22		132013-00360	2	CLIP, PIPE	11MM		
23		131600-42230	1	CAP ASSY, FUEL TANK			
24	+	131003-21230	1	CUP SET, VENT			
25	+	131016-21060	1	GASKET, FUEL CAP			
26		131010-22030	1	TANK, FUEL			
27		131917-21530	2	BAND, FUEL TANK			
28		131920-22030	1	CUSHION			
29		132010-22030	1	PIPE, FUEL	7*11*420L		
30		132015-22030	1	COIL, FUEL PIPE			
31		132112-22031	1	CLIP, FUEL PIPE			

3. Air Cleaner, Muffler, Fuel Tank

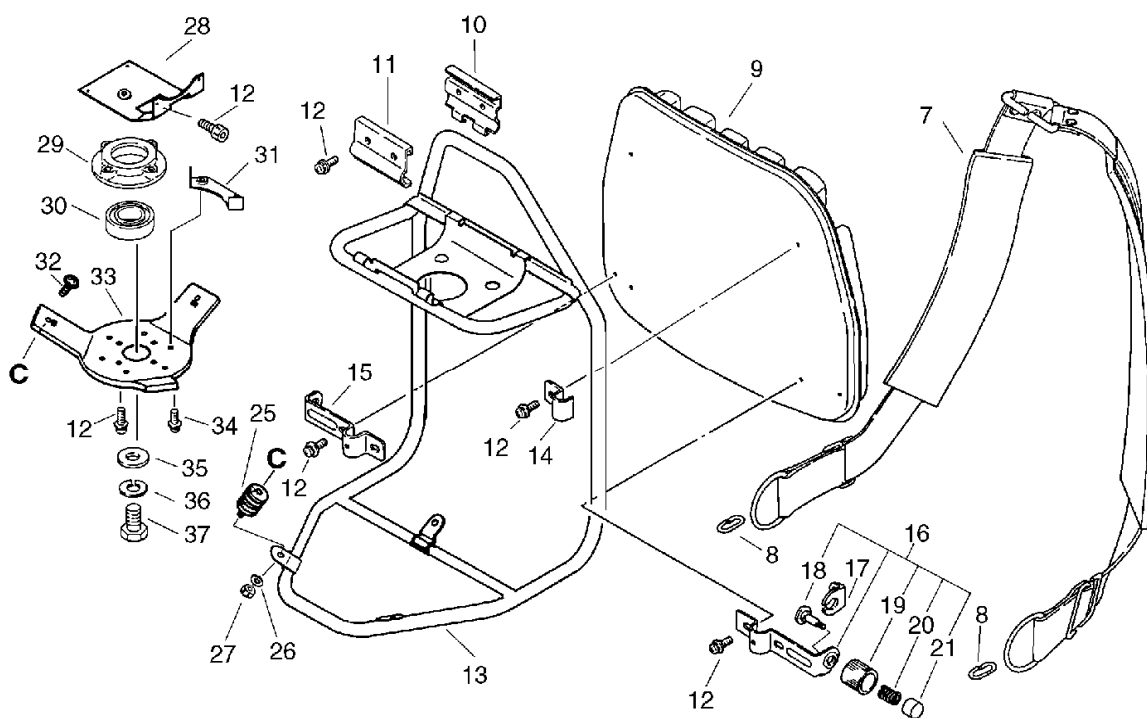
No.3



KEY	LV	PART NUMBER	Q'TY	DESCRIPTION	REMARKS	NOTE1	NOTE2
32		900238-05010	1	SCREW 5*10	5*10		
33		130313-10720	1	COVER, AIR CLEANER		Sr/Nr 003506 and after/RM-385	
33		130313-10720	1	COVER, AIR CLEANER		Sr/Nr 004161 and after/RM-465	
41		145906-42230	1	COVER, MUFFLER			
42		900238-04010	3	SCREW 4*10	4*10		
43		900162-05020	2	BOLT, H.S. 5*20	5*20 W,SW		
44		145610-42231	1	MUFFLER (BL)			
45		145510-42231	1	GASKET, MUFFLER			
46		900238-05014	1	SCREW 5*14	5*14		
47		145606-29930	1	LID, MUFFLER			
48		145665-21530	1	BRACKET, EXHAUST			
49		900238-04008	2	SCREW 4*8	4*8		

4. Harness

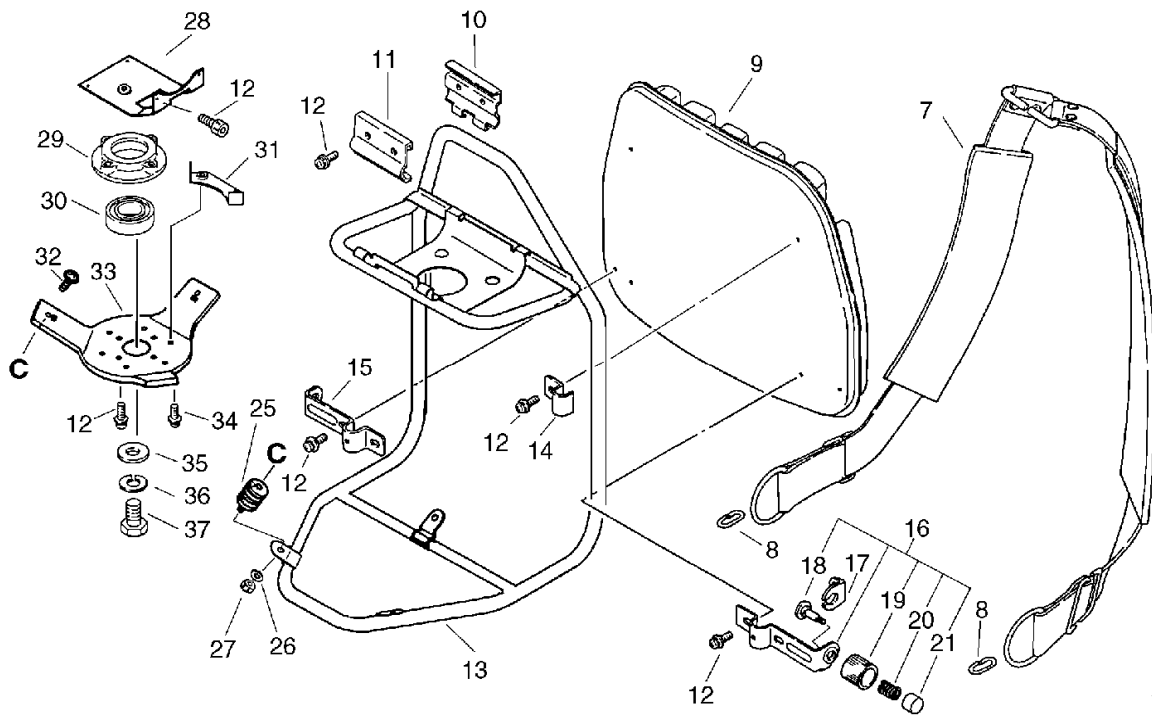
No.4



KEY	LV	PART NUMBER	Q'TY	DESCRIPTION	REMARKS	NOTE1	NOTE2
7		300300-50130	1	HARNESS, BACKPACK			
8		300319-01611	2	RING, HARNESS			
9		300105-27630	1	CUSHION			
10		300610-42230	1	PLATE			
11		300616-42230	1	PLATE, KNAPSACK BAND			
12		900238-05012	14	SCREW 5*12	5*12		
13		300005-42231	1	FRAME, BACKPACK			
14		300220-42230	2	BRACKET, CUSHION			
15		300226-42231	1	PLATE			
16		300200-42231	1	BRACKET, ASSY			
18	+	300715-27630	1	SHAFT			
19	+	300717-27630	1	GUARD			
20	+	300713-27630	1	SPRING			
21	+	300711-27630	1	BUTTON			
17		300716-27630	1	PLATE			
25		100907-14730	3	CUSHION			
26		900605-00005	3	WASHER, SPRING 5	5		
27		900500-00005	3	NUT 5	5		
28		104908-42230	1	BRACKET			
29		699226-05430	1	HOLDER, BEARING			
30		900814-06202	1	BEARING, BALL 6202	6202ZZ	Sus. by 94064-06202	
30		94064-06202	1	BEARING BALL	BB6202ZZ		
31		104931-27630	1	STOPPER			
32		900238-05010	3	SCREW 5*10	5*10		
33		104925-42230	1	RETAINER			

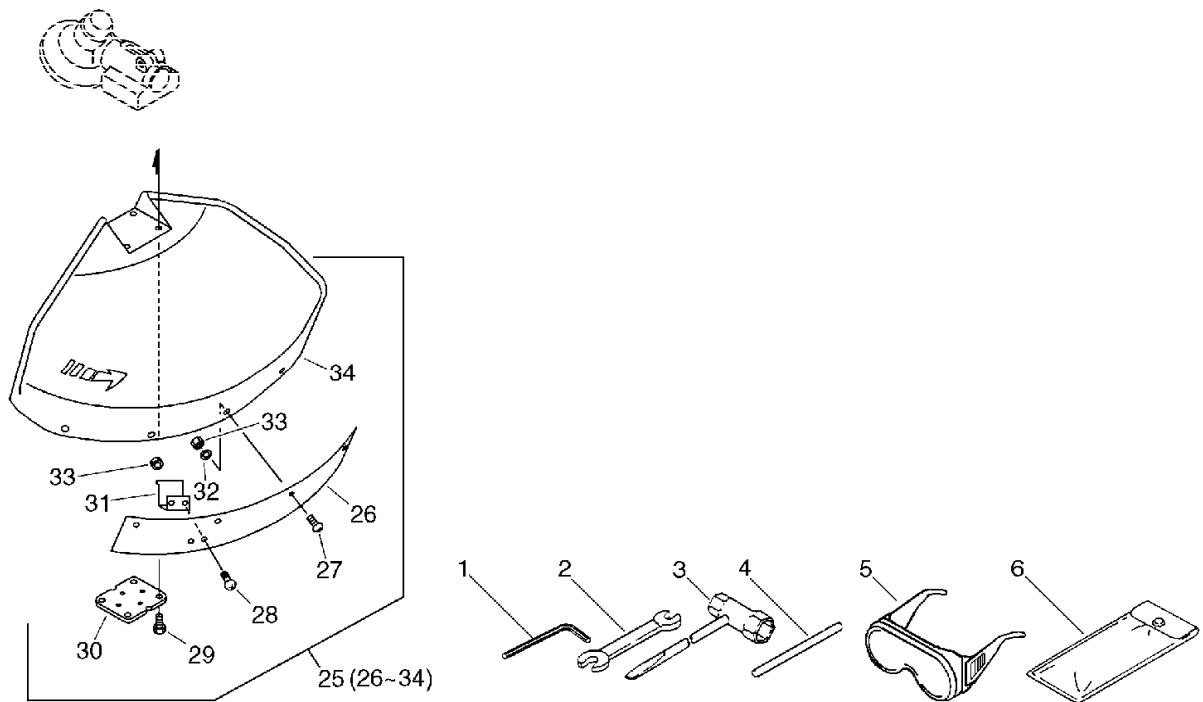
4. Harness

No.4



KEY	LV	PART NUMBER	Q'TY	DESCRIPTION	REMARKS	NOTE1	NOTE2
34		900238-04010	2	SCREW 4*10	4*10		
35		900600-00010	1	WASHER 10	10		
36		900605-00010	1	WASHER, SPRING 10	10		
37		900100-10020	1	BOLT 10*20	10*20		

5. Shield(Sr/Nr 004956(RM-385)/009526(RM-465) and before), Tool No.5(OLD TYPE)

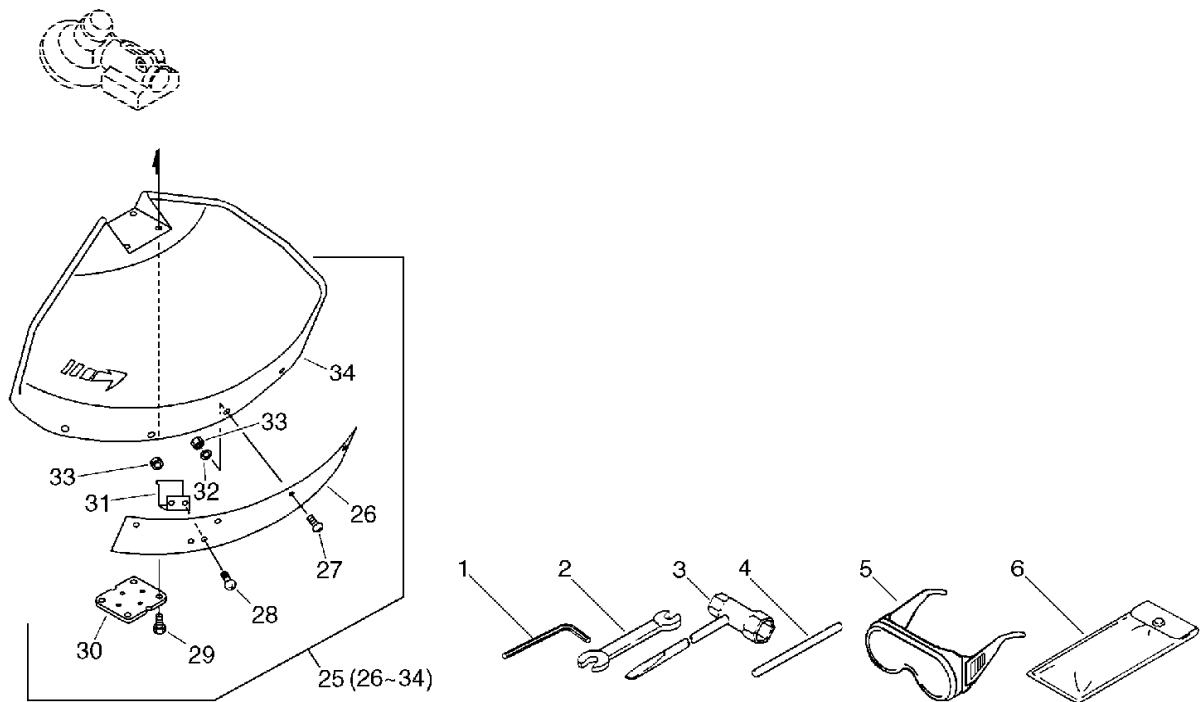


KEY	LV	PART NUMBER	Q'TY	DESCRIPTION	REMARKS	NOTE1	NOTE2
1		895610-00130	1	L-WRENCH (4MM)			
2		895112-00330	1	SPANNER 8*10			
3		895410-08030	1	WRENCH, W/S. DRIVER		Sus. by X602-000020	
3		X602-000020	1	TOOL,WRENCH	17*19 L200		
4		897518-01131	1	LOCKING TOOL			
5		899580-40930	1	GOGGLE		Sus. by P021-002861	
5		899580-68730	1	SAFETY GLASSES		Sus. by P021-002861	
5		P021-002861	1	GOGGLES			
6		898510-39130	1	BAG, TOOL			
25		699000-52930	1	SHIELD ASSY		Sus. by 699000-52931	
25		699000-52931	1	SHIELD ASY		Sr/Nr 004956 and before/RM-385	
25		699000-52931	1	SHIELD ASY		Sr/Nr 009526 and before/RM-465	
26	+	699013-52130	1	PLATE, SHIELD		Sr/Nr 004956 and before/RM-385	
26	+	699013-52130	1	PLATE, SHIELD		Sr/Nr 009526 and before/RM-465	

Is



5. Shield(Sr/Nr 004956(RM-385)/009526(RM-465) and before), Tool No.5(OLD TYPE)

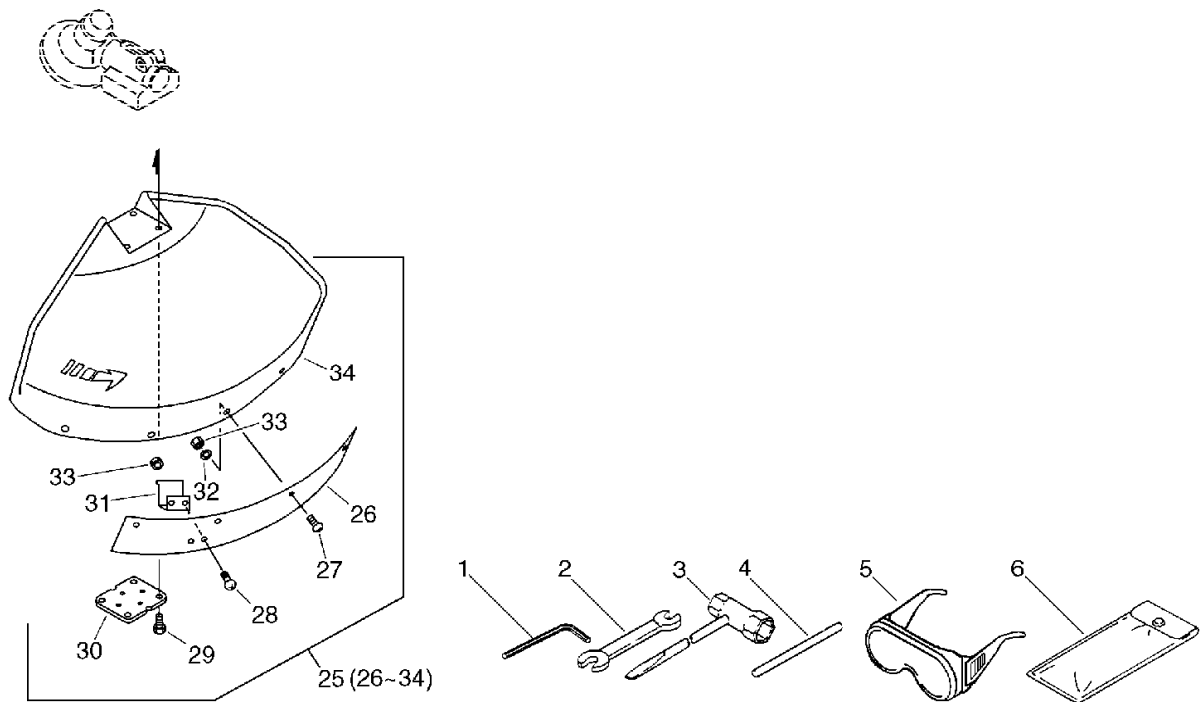


KEY	LV	PART NUMBER	Q'TY	DESCRIPTION	REMARKS	NOTE1	NOTE2
27	+	900162-05018	4	BOLT, H.S. 5*18	5*18 W,SW	Sr/Nr 004956 and before/RM-385	
27	+	900162-05018	4	BOLT, H.S. 5*18	5*18 W,SW	Sr/Nr 009526 and before/RM-465	
28	+	900162-05014	2	BOLT, H.S. 5*14	5*14 W,SW	Sr/Nr 004956 and before/RM-385	
28	+	900162-05014	2	BOLT, H.S. 5*14	5*14 W,SW	Sr/Nr 009526 and before/RM-465	
29	+	900162-05025	4	BOLT, H.S. 5*25	5*25 W,SW		
30	+	699013-56830	1	PLATE, SHIELD			
31	+	699016-52130	1	KNIFE, CORD		Sus. by 699016-54530	
31	+	699016-54530	1	KNIFE		Sr/Nr 004956 and before/RM-385	
31	+	699016-54530	1	KNIFE		Sr/Nr 009526 and before/RM-465	
32	+	900603-00005	4	WASHER 5	5.5*12*0.8	Sr/Nr 004956 and before/RM-385	

Is



5. Shield(Sr/Nr 004956(RM-385)/009526(RM-465) and before), Tool No.5(OLD TYPE)

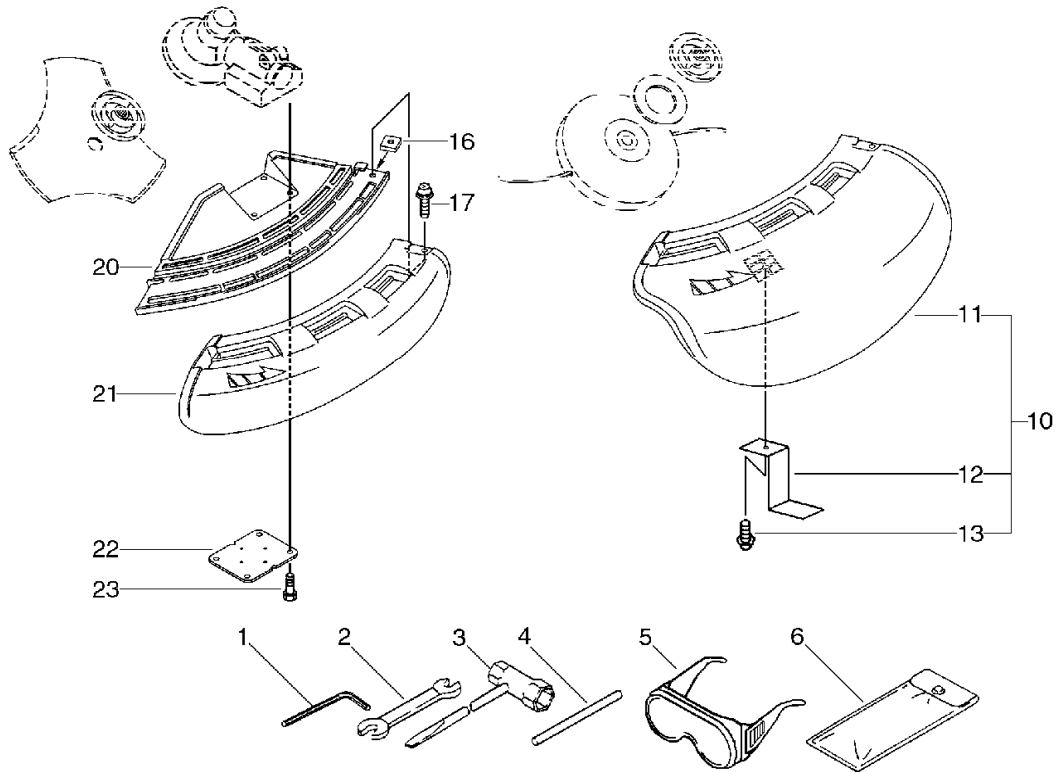


KEY	LV	PART NUMBER	Q'TY	DESCRIPTION	REMARKS	NOTE1	NOTE2
32	+	900603-00005	4	WASHER 5	5.5*12*0.8	Sr/Nr 009526 and before/RM-465	
33	+	900500-00005	6	NUT 5	5	Sr/Nr 004956 and before/RM-385	
33	+	900500-00005	6	NUT 5	5	Sr/Nr 009526 and before/RM-465	
34	+	699010-52931	1	SHIELD,BLADE		Sr/Nr 004956 and before/RM-385	
34	+	699010-52931	1	SHIELD,BLADE		Sr/Nr 009526 and before/RM-465	

Is

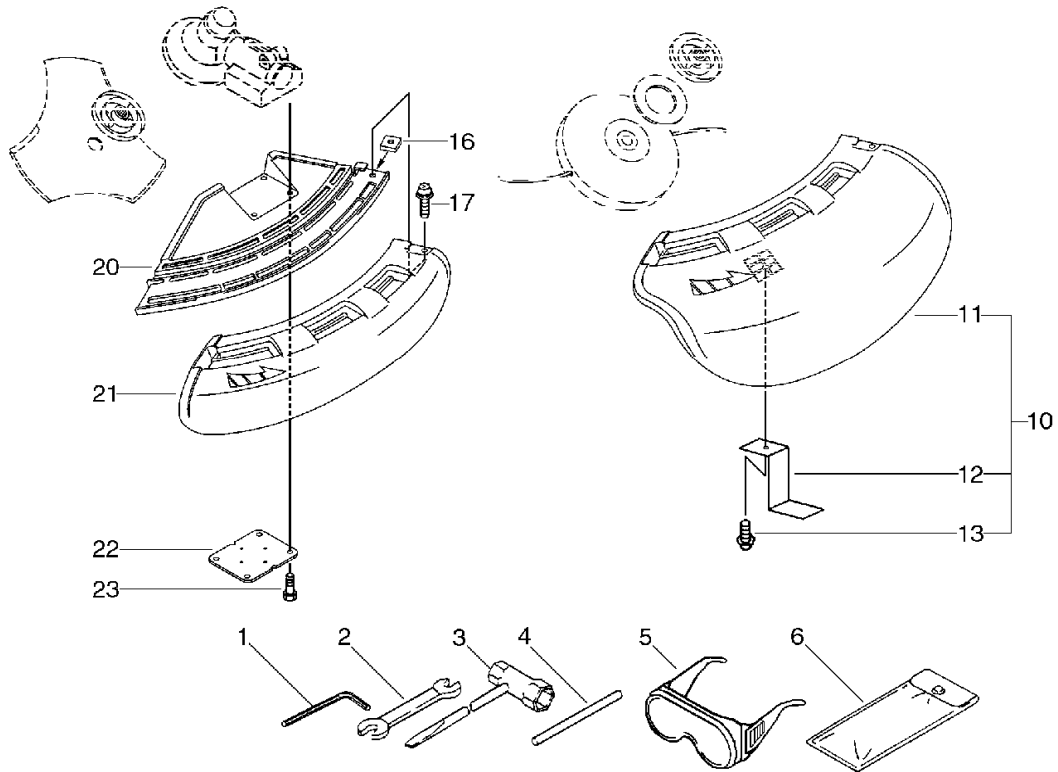


6. Shield(Sr/Nr 004957(RM-385)/009527(RM-465) and after), Tools No.6(NEW TYPE)



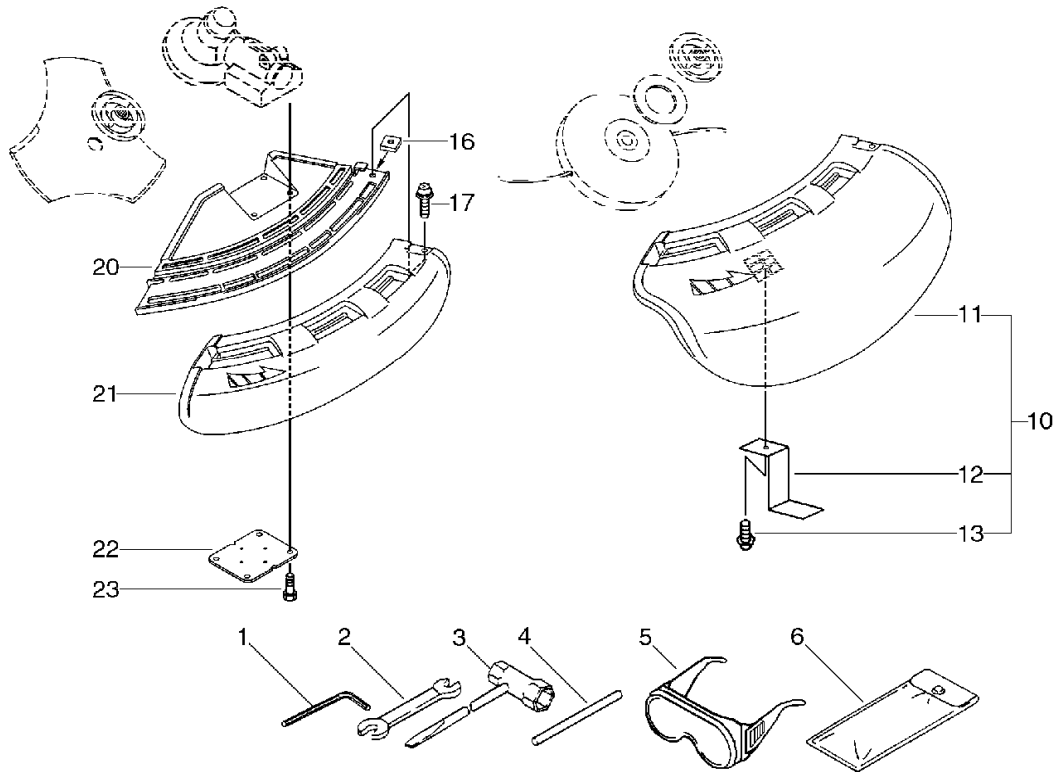
KEY	LV	PART NUMBER	Q'TY	DESCRIPTION	REMARKS	NOTE1	NOTE2
1		895610-00130	1	L-WRENCH (4MM)			
2		895112-00330	1	SPANNER 8*10			
3		895410-08030	1	WRENCH, W/S. DRIVER		Sus. by X602-000020	
3		X602-000020	1	TOOL,WRENCH	17*19 L200		
4		897518-01131	1	LOCKING TOOL			
5		899580-40930	1	GOGGLE		Sus. by P021-002861	
5		899580-68730	1	SAFETY GLASSES		Sus. by P021-002861	
5		P021-002861	1	GOGGLES			
6		898510-39130	1	BAG, TOOL			
10		P021-002620	1	SHIELD,BLADE(W/KNIFE		Sr/Nr 004957 and after/RM-385	
10		P021-002620	1	SHIELD,BLADE(W/KNIFE		Sr/Nr 009527 and after/RM-465	
11	+	C550-000080	1	SHIELD,BLADE		Sr/Nr 004957 and after/RM-385	
11	+	C550-000080	1	SHIELD,BLADE		Sr/Nr 009527 and after/RM-465	

6. Shield(Sr/Nr 004957(RM-385)/009527(RM-465) and after), Tools No.6(NEW TYPE)



KEY	LV	PART NUMBER	Q'TY	DESCRIPTION	REMARKS	NOTE1	NOTE2
12	+	C554-000000	1	KNIFE,CORD		Sr/Nr 004957 and after/RM-385	
12	+	C554-000000	1	KNIFE,CORD		Sr/Nr 009527 and after/RM-465	
13	+	900252-05012	1	SCREW 5*12	5*12	Sr/Nr 004957 and after/RM-385	
13	+	900252-05012	1	SCREW 5*12	5*12	Sr/Nr 009527 and after/RM-465	
16		900565-00005	1	NUT	5	Sr/Nr 004957 and after/RM-385	
16		900565-00005	1	NUT	5	Sr/Nr 009527 and after/RM-465	
17		900242-05018	1	SCREW 5*18	5*18	Sr/Nr 004957 and after/RM-385	
17		900242-05018	1	SCREW 5*18	5*18	Sr/Nr 009527 and after/RM-465	

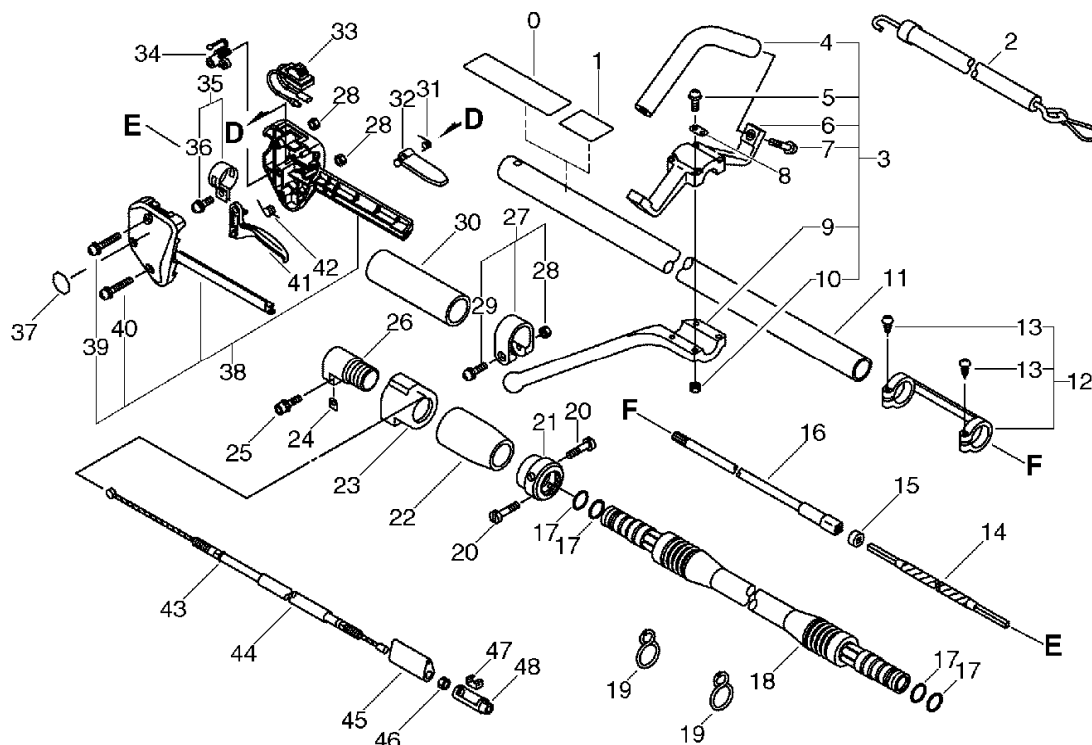
6. Shield(Sr/Nr 004957(RM-385)/009527(RM-465) and after), Tools No.6(NEW TYPE)



KEY	LV	PART NUMBER	Q'TY	DESCRIPTION	REMARKS	NOTE1	NOTE2
20		C550-000100	1	SHIELD,BLADE		Sr/Nr 004957 and after/RM-385	
20		C550-000100	1	SHIELD,BLADE		Sr/Nr 009527 and after/RM-465	
21		C550-000090	1	SHIELD,BLADE		Sr/Nr 004957 and after/RM-385	
21		C550-000090	1	SHIELD,BLADE		Sr/Nr 009527 and after/RM-465	
22		699013-56830	1	PLATE, SHIELD			
23		900162-05025	4	BOLT, H.S. 5*25	5*25 W,SW		

7. Handle

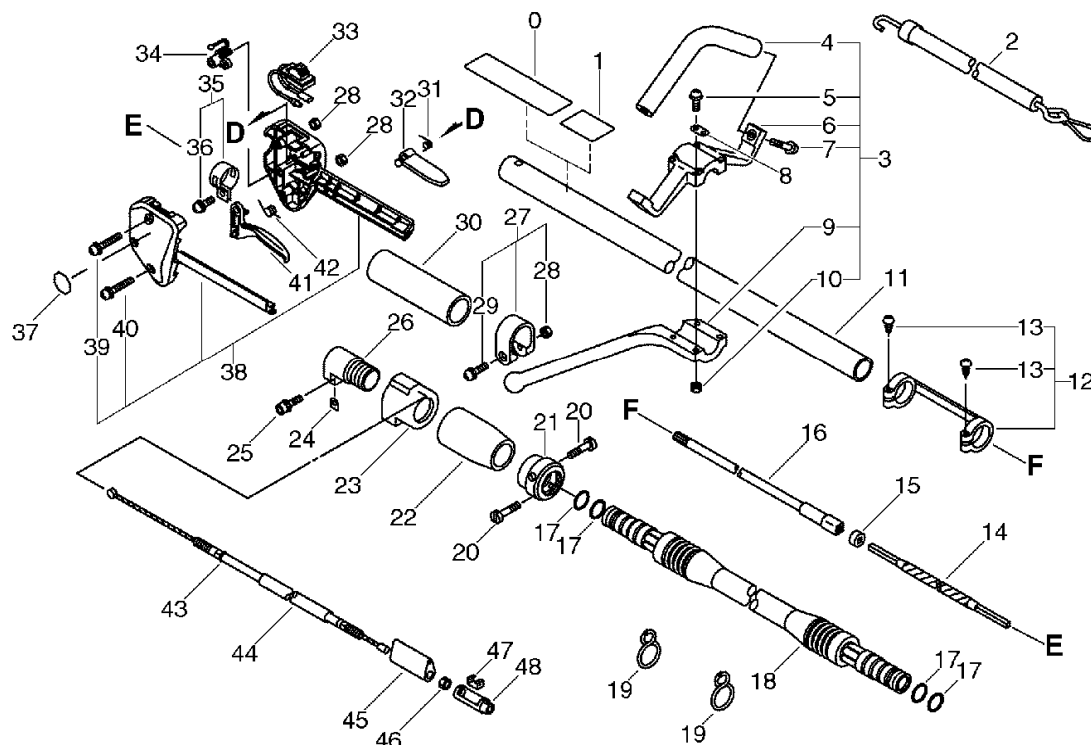
No.7



KEY	LV	PART NUMBER	Q'TY	DESCRIPTION	REMARKS	NOTE1	NOTE2
0		890617-46830	1	LABEL, CAUTION		Sus. by 890617-43130	
0		890617-43130	1	LABEL, CAUTION			
1		890160-42230	1	LABEL, CAUTION			
2		300500-07131	1	ROPE, ELASTIC			
3		351201-50430	1	HANDLE ASSY, LOOP		Sus. by 351201-50431	
3		351201-50431	1	HANDLE ASSY, LOOP			
4	+	351205-07130	1	HANDLE		Sus. by 351205-07131	
4	+	351205-07131	1	HANDLE			
5	+	900242-05035	4	SCREW 5*35	5*35		
6	+	351232-07130	1	BRACKET, HANDLE 28			
7	+	900242-05014	2	SCREW 5*14	5*14		
9	+	351643-55630	1	BRACKET, HANDLE			
10	+	900500-00005	4	NUT 5	5		
8		300515-07130	1	PLATE, ROPE			
11		610206-42230	1	HOUSING ASSY, D.SHFT			
12		610281-42230	1	COLLER			
13	+	900253-04025	2	SCREW 4*25	4*25		
14		610013-27630	1	SHAFT, FLEXIBLE(HARD)			
15		610020-07131	1	ADAPTER, FLX. SHAFT			
16		610011-51630	1	SHAFT, DRIVE	8*1494L		
17		900720-00018	4	O-RING 18	P-18		
18		610209-42230	1	COVER, FLEXIBLE			
19		300318-56330	2	HOOK	9*30		

7. Handle

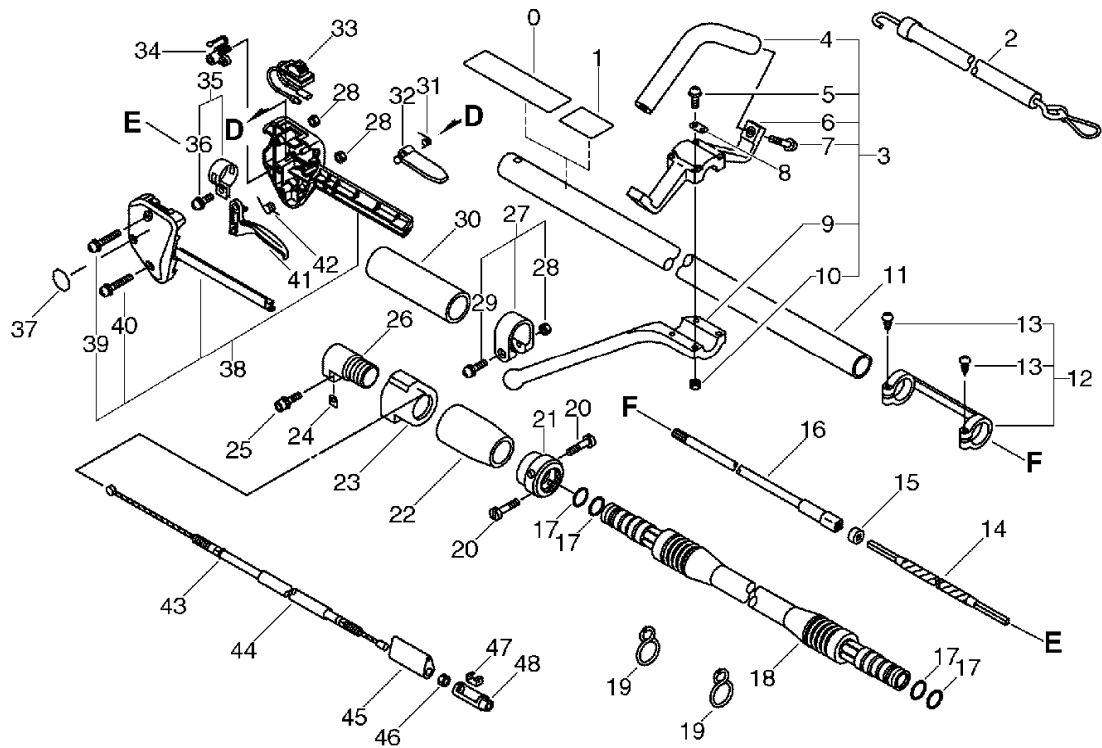
No.7



KEY	LV	PART NUMBER	Q'TY	DESCRIPTION	REMARKS	NOTE1	NOTE2
20		610257-27630	2	BOLT			
21		610260-27630	1	SPACER, D/S HOUSING			
22		610276-27631	1	COVER			
23		610275-42230	1	BOOT, CONNECTOR			
24		610239-04130	1	WASHER, SHIM			
25		900162-05030	1	BOLT, H.S. 5*30	5*30 W,SW		
26		610248-42230	1	CONNECTOR			
27		610272-51830	1	BAND			
28	+	900500-00005	1	NUT 5	5		
29	+	900242-05028	1	SCREW 5*28	5*28		
30		351213-51830	1	GRIP, FRONT HANDLE			
31		178013-52630	1	SPRING, THR. LOCK			
32		178090-52630	1	LOCKOUT, T. CONTROL		Sus. by 178090-52632	
32		178090-52631	1	LOCKOUT, T. CONTROL		Sus. by 178090-52632	
32		178090-52632	1	LOCKOUT, T. CONTROL			
33		163400-41630	1	SWITCH, IGNITION			
34		178012-52630	1	LOCKOUT, THROTTLE			
35		301200-42230	1	HOOK ASSY			
36	+	900242-05014	1	SCREW 5*14	5*14		
37		890157-39130	1	LABEL, SWITCH			
38		178003-51830	1	BRACKET SET, THROTTLE			
28	+	900500-00005	2	NUT 5	5		
39	+	900242-05035	1	SCREW 5*35	5*35		
40	+	900242-05025	1	SCREW 5*25	5*25		

7. Handle

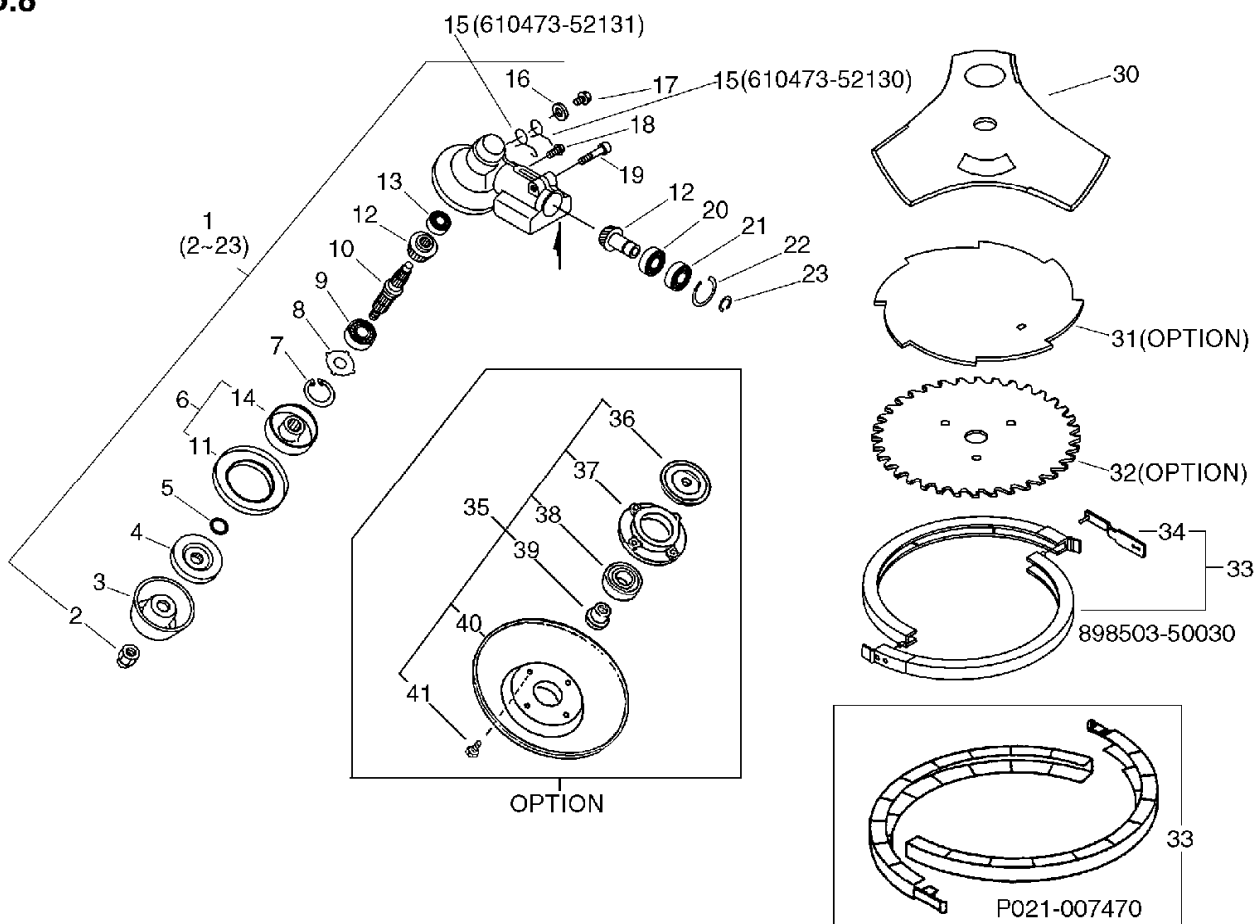
No.7



KEY	LV	PART NUMBER	Q'TY	DESCRIPTION	REMARKS	NOTE1	NOTE2
41		178010-52130	1	CONTROL, THROTTLE			
42		178043-42230	1	SPRING, THR. RETURN			
43		178001-51630	1	WIRE, THROTTLE			
44		178127-42230	1	TUBE	10*11*810		
45		178128-22130	1	SLEEVE			
46		178021-05530	1	LOCKNUT			
47		178049-06630	1	CONNECTOR			
48		178114-05630	1	CONNECTOR, THR. WIRE			

8. Gear Case, Blade

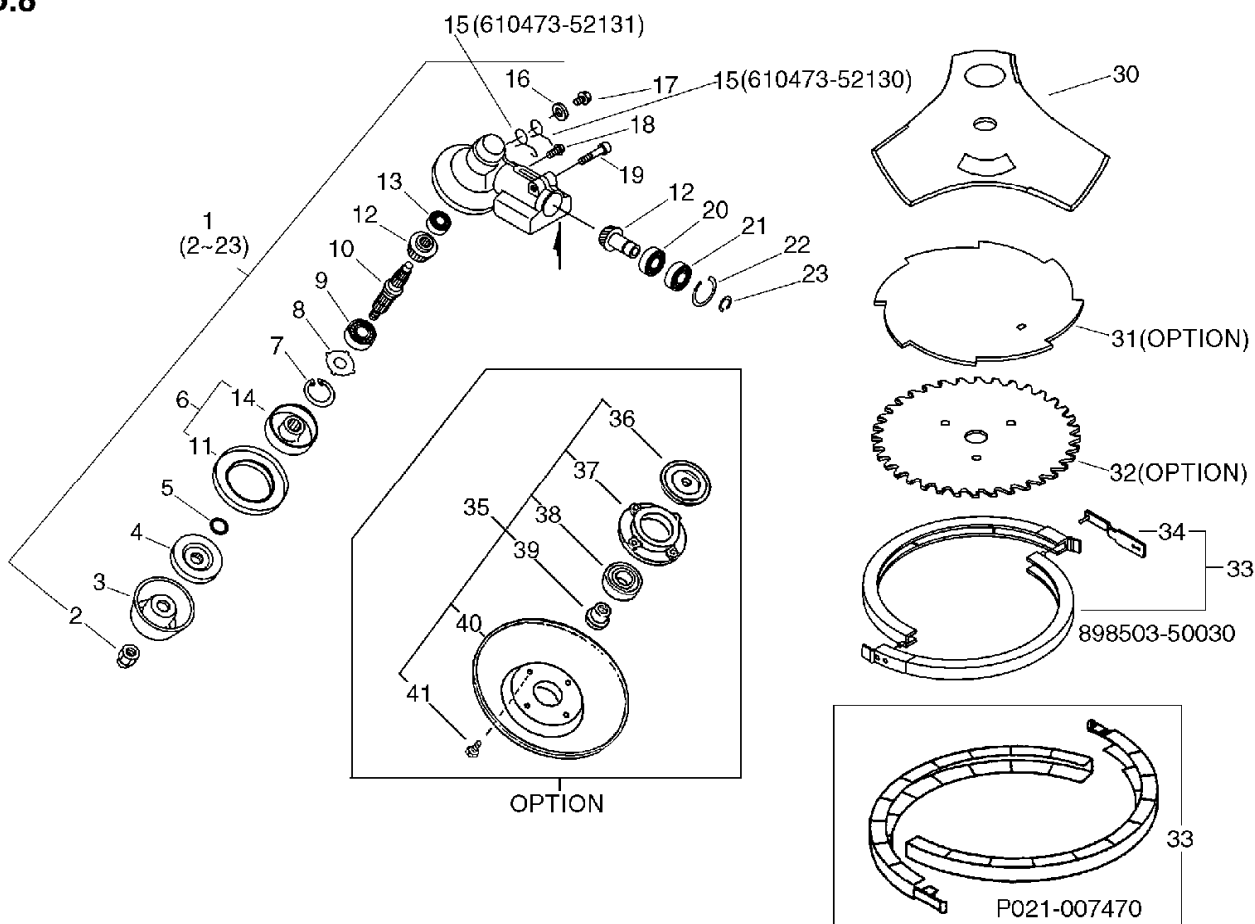
No.8



KEY	LV	PART NUMBER	Q'TY	DESCRIPTION	REMARKS	NOTE1	NOTE2
1		610400-56930	1	HOUSING ASSY, GEAR		Sus. by 610400-56932	
1		610400-56931	1	CASE ASY, GEAR		Sus. by 610400-56932	
1		610400-56932	1	CASE ASY, GEAR			
2	+	610320-52130	1	NUT 10			
3	+	699229-56830	1	PLATE, COVER			
4	+	610314-52130	1	PLATE, ADAPTER (L)			
5	+	900720-00012	1	O-RING 12	P-12		
6	+	610313-52930	1	PLATE, ADAPTER (U)		Sus. by C535-000001	
6	+	C535-000000	1	FIXTURE, BLADE		Sus. by C535-000001	
6	+	C535-000001	1	FIXTURE, BLADE			
11	++	610352-56830	1	PLATE, CUP			
14	++	C535-000010	1	FIXTURE, BLADE		Sus. by C535-000011	
14	++	C535-000011	1	FIXTURE, BLADE			
7	+	900702-00032	1	CIRCLIP 32	CR-32		
8	+	610444-56830	1	WASHER			
9	+	900812-06201	1	BEARING, BALL 6201	6201DDU(LLU)		
10	+	610310-56930	1	SHAFT, P.T.O.			
12	+	610300-56930	1	GEAR SET			
13	+	900810-00629	1	BEARING, BALL 629	629		

8. Gear Case, Blade

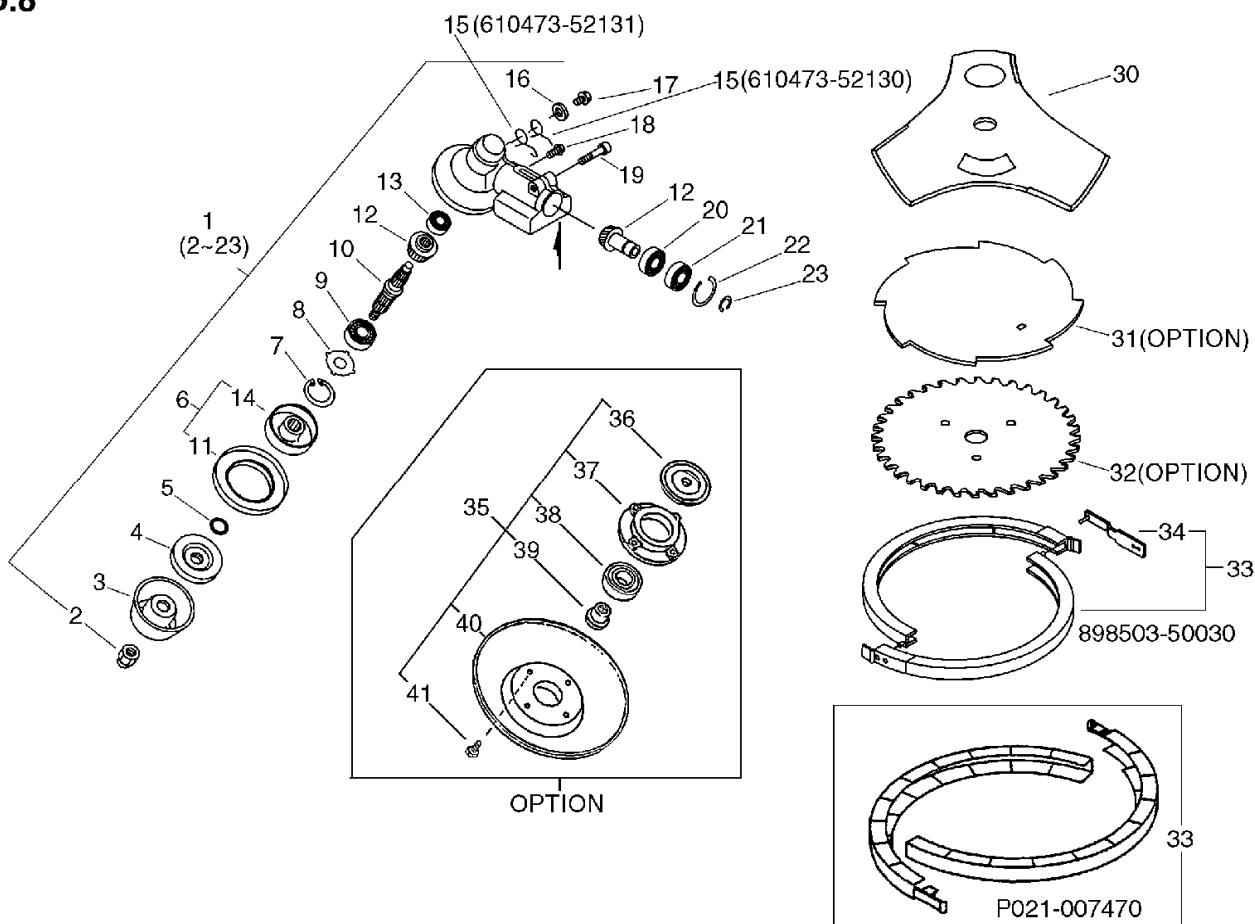
No.8



KEY	LV	PART NUMBER	Q'TY	DESCRIPTION	REMARKS	NOTE1	NOTE2
15	+	610473-52130	1	SPRING, TORSION		Drive Shaft Sr/Nr 007312 and before	
15	+	610473-52131	1	SPRING		Drive Shaft Sr/Nr 007313 and after	
16	+	900603-50008	1	WASHER	8.5*18*0.8T		
17	+	610434-50030	1	BOLT 8* 6		Sus. by 610434- 50031	
17	+	610434-50031	1	BOLT 8* 8	M8*8		
18	+	900242-05010	1	SCREW 5*10	5*10		
19	+	900162-06030	1	BOLT, H.S. 6*30	6*30W, SW		
20	+	900800-06001	1	BEARING, BALL 6001	6001		
21	+	900807-06001	1	BEARING, BALL 6001	6001V(LB)	Drive Shaft Sr/Nr 007312 and before	
21	+	900803-06001	1	BEARING, BALL 6001	6001Z	Drive Shaft Sr/Nr 007313 and after	
22	+	900702-00028	1	CIRCLIP 28	CR-28		
23	+	900701-00012	1	CIRCLIP 12	CS-12		
30		X405-000000	1	SAW,BUSH CUTTER	3*255*25.4*T2.0	Sus. by X405- 000001	
30		X405-000001	1	SAW,BUSH CUTTER	3*255*25.4*T2.0		

8. Gear Case, Blade

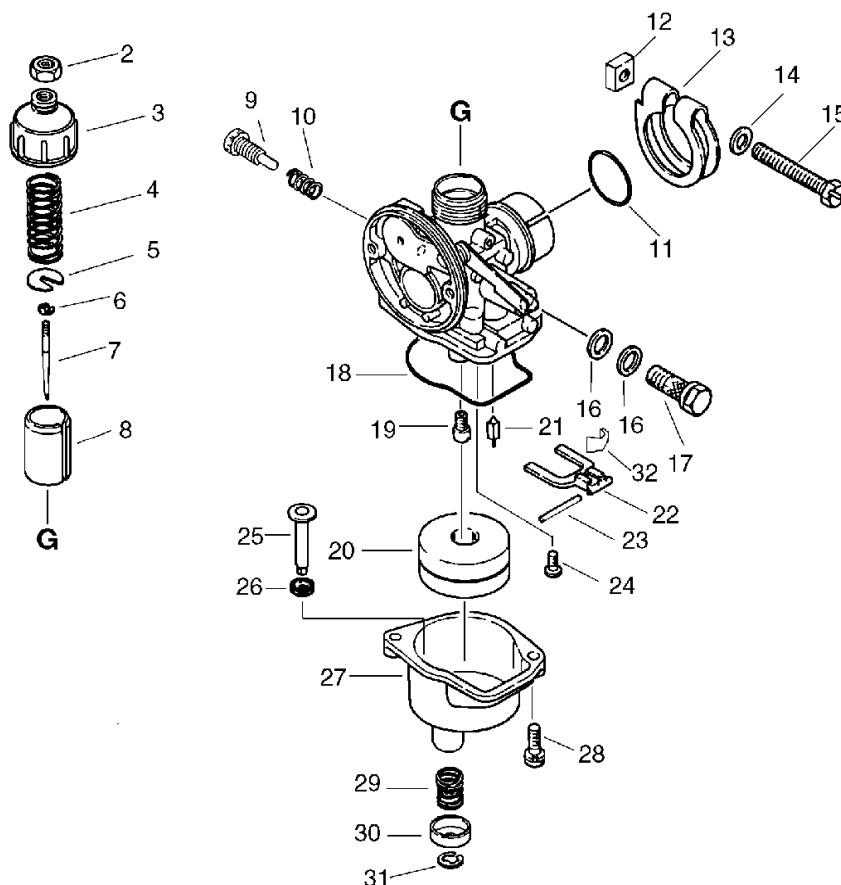
No.8



KEY	LV	PART NUMBER	Q'TY	DESCRIPTION	REMARKS	NOTE1	NOTE2
33		898503-50030	1	SCABBARD KIT, BLADE		Sus. by P021-007470	
33		P021-007470	1	SCABBARD, BLADE			
34	+	898562-43230	1	FIXTURE, SCABBARD		can be used on 898503-50030 only	
31		696001-55630	1	BLADE, 8-CUTTER 10IN		Sus. by 696001-55631	
31		696001-55631	1	BLADE, 8-CUTTER 10IN	255*8T*1.4 PD25	OPTION	
32		695001-55630	1	SAW, CIRCULAR 10*80T		Sus. by 695001-55631	
32		695001-55631	1	SAW, CIRCULAR 10*80T	255*80T*1.4 PD25	OPTION	
35		699200-56830	1	CAP ASSY, FREE		OPTION	
36	+	610313-56830	1	PLATE, ADAPTER (U)		OPTION	
37	+	699226-05430	1	HOLDER, BEARING		OPTION	
38	+	900814-06202	1	BEARING, BALL 6202	6202ZZ	OPTION	
39	+	699227-04630	1	NUT		OPTION	
40	+	699228-08930	1	PLATE, COVER		OPTION	
41	+	900141-05012	4	BOLT 5*12	5*12	OPTION	

9. Carburetor

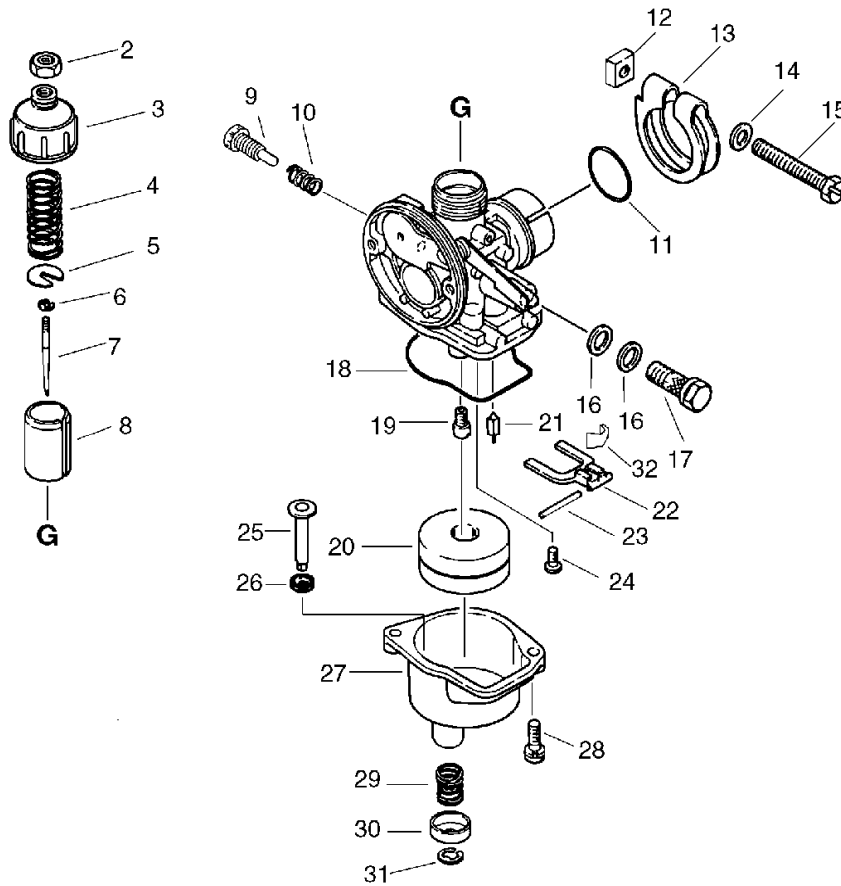
No.9



KEY	LV	PART NUMBER	Q'TY	DESCRIPTION	REMARKS	NOTE1	NOTE2
		120000-42231	1	CARBURETOR ASSY			
2	+	120111-04730	1	NUT			
3	+	120113-10211	1	COVER, TOP			
4	+	120114-01820	1	SPRING, THROTTLE			
5	+	120115-08020	1	SEAT, SPRING			
6	+	120116-10211	1	E-RING			
7	+	120103-45530	1	NEEDLE, JET W/CLIP			
8	+	120118-27430	1	VALVE, THROTTLE			
9	+	120159-04731	1	SCREW, IDLE SPEED			
10	+	120160-01321	1	SPRING			
11	+	120149-05730	1	GASKET			
12	+	120151-10210	1	NUT, OUTLET CLIP			
13	+	120146-10210	1	CLIP, OUTLET			
14	+	900600-00005	1	WASHER 5	5		
15	+	120147-08020	1	BOLT			
16	+	120130-10210	2	GASKET			
17	+	120131-00120	1	BOLT, BANJO			
18	+	120123-10210	1	GASKET, F. CHAMBER			
19	+	120122-05730	1	JET, MAIN			
20	+	120133-05730	1	FLOAT			
21	+	120120-27431	1	VALVE, NEEDLE			
22	+	120121-27430	1	ARM, FLOAT			
23	+	120132-10211	1	PIN, FLOAT ARM			
24	+	900220-04006	1	SCREW 4*6	4*6		
25	+	120177-03311	1	SHAFT, LINK			
26	+	120178-03311	1	O-RING			

9. Carburetor

No.9



KEY	LV	PART NUMBER	Q'TY	DESCRIPTION	REMARKS	NOTE1	NOTE2
27	+	120124-03311	1	CHAMBER, FLOAT			
28	+	900242-04012	2	SCREW 4*12	4*12		
29	+	120179-28930	1	SPRING, COIL			
30	+	120180-03311	1	COLLAR			
31	+	120181-03312	1	CLIP			
32	+	120182-22430	1	CLIP			

Index

Patrs Number	Key No.	Patrs Number	Key No.	Patrs Number	Key No.
100000-43130	1 - 6	120151-10210	9 - 12	132200-00512	3 - 21
100000-43131	1 - 6	120159-04731	9 - 9	145510-42231	3 - 45
100000-43230	1 - 6	120160-01321	9 - 10	145606-29930	3 - 47
100000-43231	1 - 6	120177-03311	9 - 25	145610-42231	3 - 44
100011-42230	1 - 7	120178-03311	9 - 26	145665-21530	3 - 48
100011-43230	1 - 7	120179-28930	9 - 29	145906-42230	3 - 41
100012-12331	1 - 10	120180-03311	9 - 30	156112-28230	2 - 25
100012-27930	1 - 10	120181-03312	9 - 31	156601-12920	2 - 31
100013-00410	1 - 8	120182-22430	9 - 32	156626-42230	2 - 31
100014-17330	1 - 11	129011-05110	3 - 13	156801-42230	2 - 32
100015-00120	1 - 9	129011-05110	3 - 13	159011-03432	2 - 22
100100-43130	1 - 12	130010-22430	3 - 5	159012-03433	2 - 23
100142-12330	1 - 13	130016-42231	3 - 1	159017-10230	2 - 21
100204-42230	1 - 19	130017-42230	3 - 3	162010-27230	2 - 29
100212-27930	1 - 27	130307-10321	3 - 15	162014-42230	2 - 27
100213-02830	1 - 20	130307-10321	3 - 15	162021-42230	2 - 26
100215-02830	1 - 22	130307-42230	3 - 15	163400-41630	7 - 33
100242-42230	1 - 24	130307-42230	3 - 15	175005-42230	2 - 46
100907-14730	4 - 25	130310-02910	3 - 18	175009-42231	2 - 42
101010-42231	1 - 5	130310-02910	3 - 18	175018-42230	2 - 43
101011-43130	1 - 3	130310-27930	3 - 13	175046-06230	2 - 45
101011-43230	1 - 3	130310-27930	3 - 13	175048-03920	2 - 44
101511-42230	1 - 16	130311-03710	3 - 19	175049-03920	2 - 41
101514-42230	1 - 2	130311-03710	3 - 19	175313-20430	2 - 50
101534-42230	1 - 17	130311-27930	3 - 14	177200-42230	2 - 2
104908-42230	4 - 28	130311-27930	3 - 14	177214-02830	2 - 4
104925-42230	4 - 33	130313-10720	3 - 33	177215-04130	2 - 8
104931-27630	4 - 31	130313-10720	3 - 33	177216-12330	2 - 12
120000-42231	3 - 10	130314-27930	3 - 11	177220-03930	2 - 14
120000-42231	9 -	130314-27930	3 - 11	177221-06720	2 - 15
120103-45530	9 - 7	130317-03710	3 - 17	177226-27430	2 - 9
120111-04730	9 - 2	130317-03710	3 - 17	177227-05020	2 - 10
120113-10211	9 - 3	130319-03710	3 - 16	177228-19830	2 - 11
120114-01820	9 - 4	130319-03710	3 - 16	177242-06721	2 - 13
120115-08020	9 - 5	130319-27930	3 - 12	177243-04130	2 - 6
120116-10211	9 - 6	130319-27930	3 - 12	177246-03930	2 - 7
120118-27430	9 - 8	130320-05810	3 - 11	177305-40530	2 - 1
120120-27431	9 - 21	130320-05810	3 - 11	178001-51630	7 - 43
120121-27430	9 - 22	130510-22431	3 - 6	178003-51830	7 - 38
120122-05730	9 - 19	131003-21230	3 - 24	178004-42230	3 - 8
120123-10210	9 - 18	131010-22030	3 - 26	178010-52130	7 - 41
120124-03311	9 - 27	131016-21060	3 - 25	178012-52630	7 - 34
120130-10210	9 - 16	131600-42230	3 - 23	178013-52630	7 - 31
120131-00120	9 - 17	131917-21530	3 - 27	178021-05530	7 - 46
120132-10211	9 - 23	131920-22030	3 - 28	178043-42230	7 - 42
120133-05730	9 - 20	132010-22030	3 - 29	178049-06630	7 - 47
120146-10210	9 - 13	132013-00360	3 - 22	178090-52630	7 - 32
120147-08020	9 - 15	132015-22030	3 - 30	178090-52631	7 - 32
120149-05730	9 - 11	132112-22031	3 - 31	178090-52632	7 - 32

Index

Patrs Number	Key No.	Patrs Number	Key No.	Patrs Number	Key No.
178111-51630	2 - 56	610310-56930	8 - 10	890617-46830	7 - 0
178114-05630	7 - 48	610313-52930	8 - 6	895112-00330	5 - 2
178127-04930	3 - 9	610313-56830	8 - 36	895112-00330	6 - 2
178127-42230	7 - 44	610314-52130	8 - 4	895410-08030	5 - 3
178127-46630	2 - 24	610320-52130	8 - 2	895410-08030	6 - 3
178128-22130	7 - 45	610352-56830	8 - 11	895610-00130	5 - 1
300005-42231	4 - 13	610400-56930	8 - 1	895610-00130	6 - 1
300105-27630	4 - 9	610400-56931	8 - 1	897518-01131	5 - 4
300200-42231	4 - 16	610400-56932	8 - 1	897518-01131	6 - 4
300220-42230	4 - 14	610434-50030	8 - 17	898503-50030	8 - 33
300226-42231	4 - 15	610434-50031	8 - 17	898510-39130	5 - 6
300300-50130	4 - 7	610444-56830	8 - 8	898510-39130	6 - 6
300318-56330	7 - 19	610473-52130	8 - 15	898562-43230	8 - 34
300319-01611	4 - 8	610473-52131	8 - 15	899580-40930	5 - 5
300500-07131	7 - 2	695001-55630	8 - 32	899580-40930	6 - 5
300515-07130	7 - 8	695001-55631	8 - 32	899580-68730	5 - 5
300610-42230	4 - 10	696001-55630	8 - 31	899580-68730	6 - 5
300616-42230	4 - 11	696001-55631	8 - 31	900100-06008	2 - 59
300711-27630	4 - 21	699000-52930	5 - 25	900100-10020	4 - 37
300713-27630	4 - 20	699000-52931	5 - 25	900141-05012	8 - 41
300715-27630	4 - 18	699000-52931	5 - 25	900162-04020	2 - 16
300716-27630	4 - 17	699010-52931	5 - 34	900162-05014	5 - 28
300717-27630	4 - 19	699010-52931	5 - 34	900162-05014	5 - 28
301200-42230	7 - 35	699013-52130	5 - 26	900162-05018	5 - 27
351201-50430	7 - 3	699013-52130	5 - 26	900162-05018	5 - 27
351201-50431	7 - 3	699013-56830	5 - 30	900162-05020	1 - 4
351205-07130	7 - 4	699013-56830	6 - 22	900162-05020	3 - 43
351205-07131	7 - 4	699016-52130	5 - 31	900162-05025	1 - 15
351213-51830	7 - 30	699016-54530	5 - 31	900162-05025	5 - 29
351232-07130	7 - 6	699016-54530	5 - 31	900162-05025	6 - 23
351643-55630	7 - 9	699200-56830	8 - 35	900162-05030	1 - 21
610011-51630	7 - 16	699226-05430	4 - 29	900162-05030	7 - 25
610013-27630	7 - 14	699226-05430	8 - 37	900162-06030	8 - 19
610020-07131	7 - 15	699227-04630	8 - 39	900220-04006	9 - 24
610206-42230	7 - 11	699228-08930	8 - 40	900238-04008	2 - 54
610209-42230	7 - 18	699229-56830	8 - 3	900238-04008	3 - 49
610223-42230	2 - 58	880517-40030	1 - 14	900238-04010	1 - 18
610239-04130	7 - 24	890118-49330	2 - 17	900238-04010	3 - 42
610248-42230	7 - 26	890121-21430	3 - 12	900238-04010	4 - 34
610250-07130	2 - 57	890121-21430	3 - 12	900238-04022	3 - 16
610251-07130	2 - 52	890121-42230	3 - 17	900238-04022	3 - 16
610252-07130	2 - 51	890121-42230	3 - 17	900238-05010	1 - 1
610257-27630	7 - 20	890157-39130	7 - 37	900238-05010	2 - 28
610260-27630	7 - 21	890160-42230	7 - 1	900238-05010	3 - 32
610272-51830	7 - 27	890187-03710	3 - 20	900238-05010	4 - 32
610275-42230	7 - 23	890187-03710	3 - 20	900238-05012	4 - 12
610276-27631	7 - 22	890611-42230	1 - 28	900238-05014	2 - 3
610281-42230	7 - 12	890611-51630	1 - 28	900238-05014	3 - 4
610300-56930	8 - 12	890617-43130	7 - 0	900238-05014	3 - 46

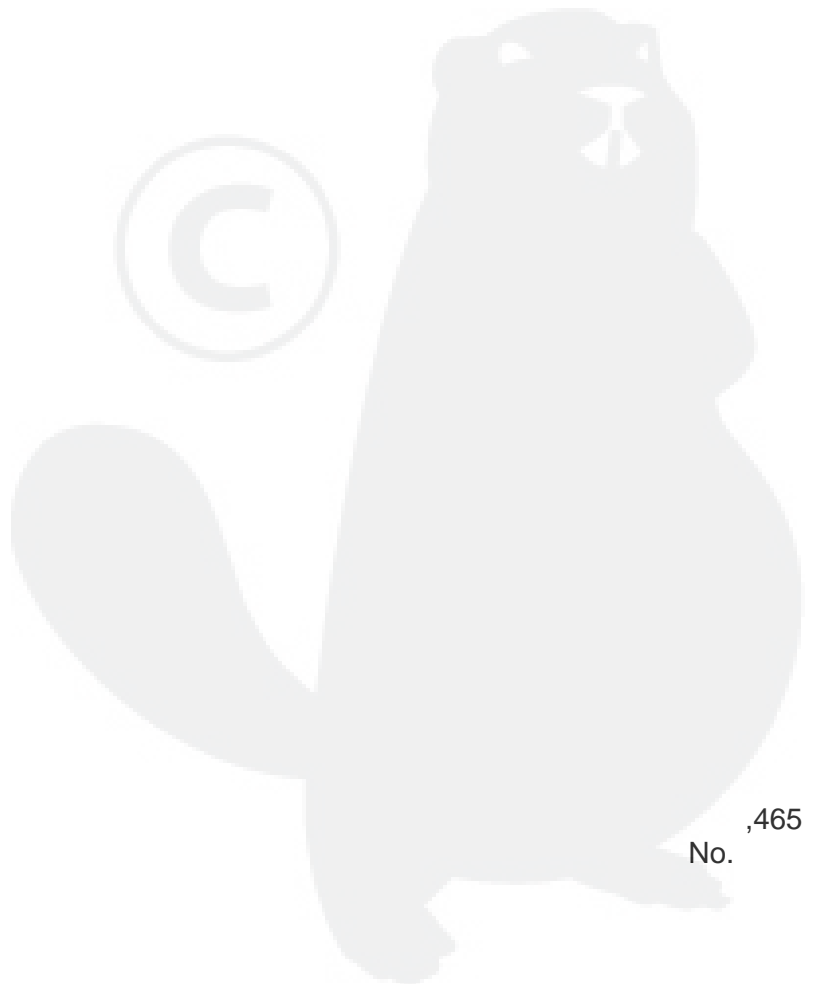
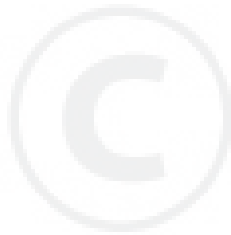
Index

Patrs Number	Key No.	Patrs Number	Key No.	Patrs Number	Key No.
900238-05016	2 - 53	900803-06001	8 - 21		
900238-05018	3 - 7	900807-06001	8 - 21		
900238-05020	2 - 30	900810-00629	8 - 13		
900241-04008	2 - 5	900810-36201	1 - 26		
900242-04012	3 - 14	900810-36202	1 - 25		
900242-04012	3 - 14	900812-06201	8 - 9		
900242-04012	9 - 28	900814-06202	4 - 30		
900242-05010	8 - 18	900814-06202	8 - 38		
900242-05014	7 - 7	94035-36201	1 - 26		
900242-05014	7 - 36	94042-06001	2 - 48		
900242-05018	6 - 17	94064-06202	4 - 30		
900242-05018	6 - 17	C535-000000	8 - 6		
900242-05025	7 - 40	C535-000001	8 - 6		
900242-05028	7 - 29	C535-000010	8 - 14		
900242-05035	7 - 5	C535-000011	8 - 14		
900242-05035	7 - 39	C550-000080	6 - 11		
900252-05012	6 - 13	C550-000080	6 - 11		
900252-05012	6 - 13	C550-000090	6 - 21		
900253-04025	7 - 13	C550-000090	6 - 21		
900500-00005	3 - 2	C550-000100	6 - 20		
900500-00005	4 - 27	C550-000100	6 - 20		
900500-00005	5 - 33	C554-000000	6 - 12		
900500-00005	5 - 33	C554-000000	6 - 12		
900500-00005	7 - 10	P021-002620	6 - 10		
900500-00005	7 - 28	P021-002620	6 - 10		
900500-00005	7 - 28	P021-002861	5 - 5		
900503-00010	2 - 35	P021-002861	6 - 5		
900565-00005	6 - 16	P021-007470	8 - 33		
900565-00005	6 - 16	V307-000050	1 - 11		
900600-00005	9 - 14	X405-000000	8 - 30		
900600-00006	2 - 36	X405-000001	8 - 30		
900600-00010	2 - 33	X602-000020	5 - 3		
900600-00010	4 - 35	X602-000020	6 - 3		
900603-00005	5 - 32				
900603-00005	5 - 32				
900603-50008	8 - 16				
900605-00005	4 - 26				
900605-00010	2 - 34				
900605-00010	4 - 36				
900701-00012	2 - 49				
900701-00012	8 - 23				
900702-00028	2 - 47				
900702-00028	8 - 22				
900702-00032	8 - 7				
900702-00035	1 - 23				
900720-00012	8 - 5				
900720-00018	7 - 17				
900800-06001	8 - 20				
900802-06001	2 - 48				

YAMABIKO CORPORATION

7-2 SUEHIROCHO 1-CHOME, OHME, TOKYO 198-8760, JAPAN
PHONE: 81-428-32-6118. FAX: 81-428-32-6145.

ECHO®



No. ,465