



AVAILABLE ATTACHMENTS & ACCESSORIES

TRIMMER HEADS

- 215211 PRO MAXI-CUT
- 21560030 ECHOMATIC PRO HEAD
- 21560050 SRM ECHOMATIC HEAD
- 21560055 UNIVERSAL TRIMMER HEAD
- 21560056 RAPID LOADER 2 LINE HEAD
- 21560060 MANUAL DUAL LINE HEAD
- 99944200220 HD MANUAL 4 LINE FIXED HEAD
- 99944200221 RAPID LOADER 3 LINE HEAD
- 99944200230 SEMI-AUTO DUAL LINE HEAD
- 99944200250 ECHOMATIC II TRIMMER HEAD

REQUIRES BLADE CONVERSION KIT

- 69500120331 8" 80 TOOTH BRUSH BLADE
- 69600120331 8" 8 TOOTH BLADE
- 89850308030 8" BLADE PROTECTOR
- 99944200030 TRI-CUT BLADE
- 99944200031 TRI-CUT BLADE GLIDE CUP
- 99944200035 TRI-CUT BLADE WITH GLIDE CUP
- 99944200047 3 CUTTER METAL BLADE
- 99944200130 22 TOOTH CLEARING SAW BLADE

OTHER

- 35130455730 OFFSET U-HANDLE KIT
- 99944200411 20mm BLADE CONVERSION KIT
- 99944200415 UNIVERSAL BLADE CONVERSION KIT
- 99944200451 OFFSET U-HANDLE/BLADE CONVERSION COMBO KIT
- 99944200561 OFFSET U-HANDLE/BLADE CONVERSION COMBO KIT
- 99944200661 OFFSET U-HANDLE KIT
- 99944200200 SHOULDER HARNESS KIT
- 99944200455 BARRIER BAR
- SRAC-200 TILLER/CULTIVATOR ATTACHMENT

PARTS CATALOG

TRIMMER/
BRUSH CUTTER

30.5cc

MODEL: SERIAL NUMBERS

SRM-310: 03001001-03999999
04001001-04999999

SRM-310S: 03001001-03999999
04001001-04999999

SRM-310U: 03001001-03999999
04001001-04999999

SRM-311: 02001001-02999999
09001001-09999999

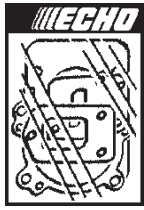
SRM-311S: 02001001-02999999
09001001-09999999

SRM-311U: 02001001-02999999
09001001-09999999

ECHO, INCORPORATED

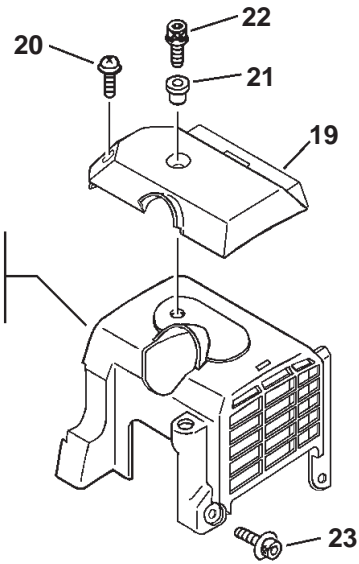
400 Oakwood Road Lake Zurich, Illinois 60047

WWW.ECHO-USA.COM



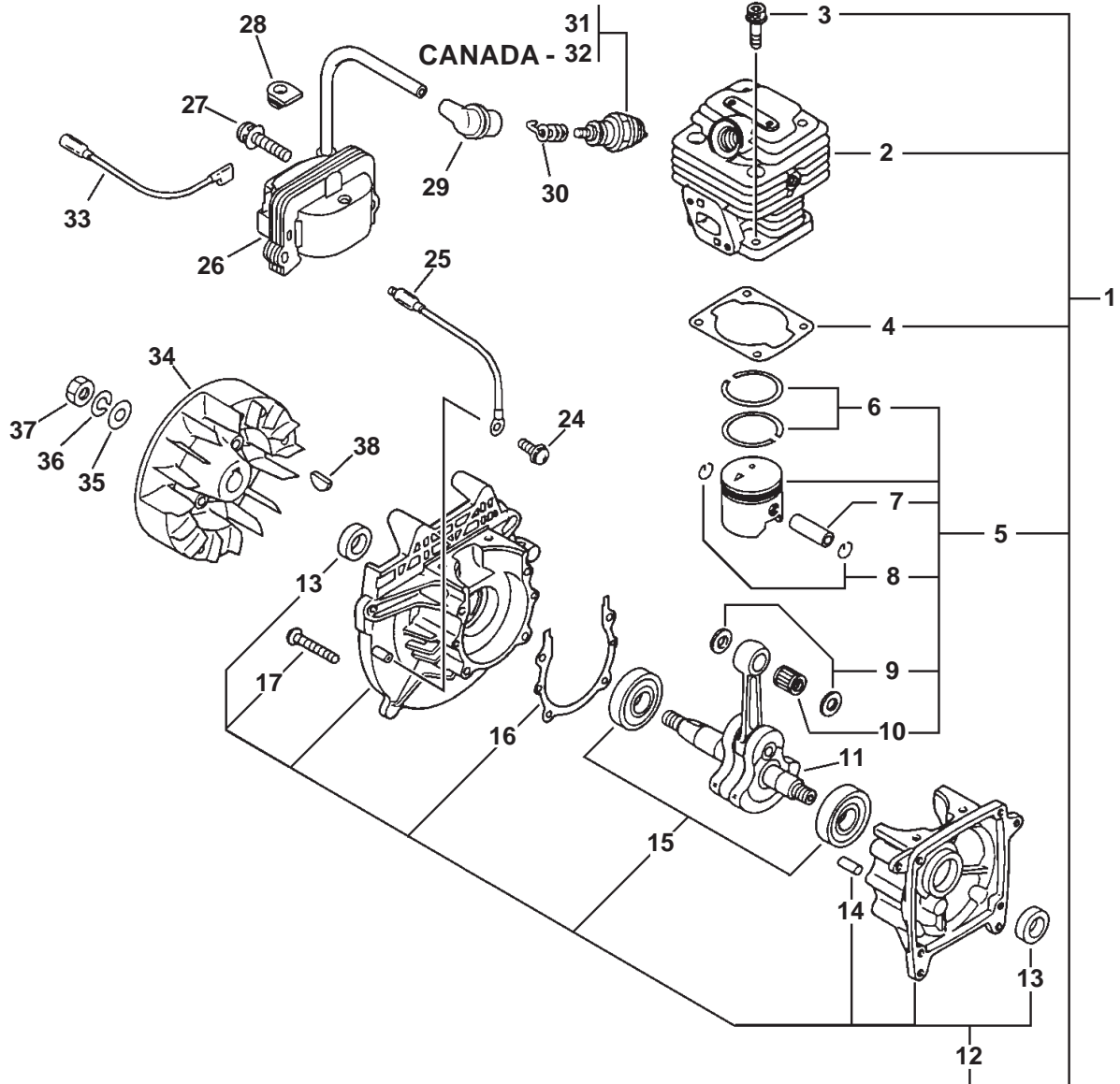
GASKET KIT

18



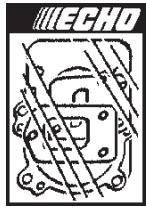
SRM-310, 311, 310U, 311U -- 39

SRM-310S, 311S -- 40



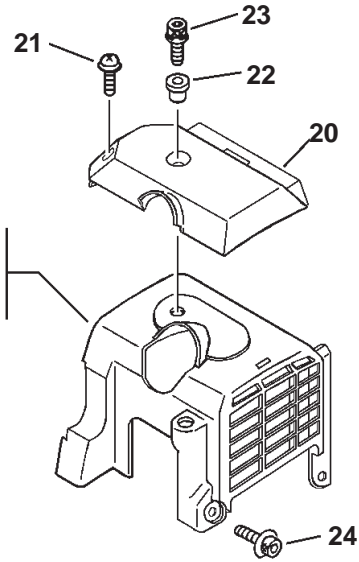
SERIAL NUMBERS: 02001001-04999999

ITEM	PART NUMBER	QTY	DESCRIPTION	REMARKS
<u>OPTIONAL ENGINE REPOWER</u>				
1	SB1064	1	SHORT BLOCK	INCLUDES ITEMS 2-17
2	A130000260	1	CYLINDER	
3	90016205020	4	BOLT 5X20	
★ 4	10101055430	1	GASKET, CYLINDER	
5	P021003080	1	PISTON KIT	INCLUDES ITEMS 6-10
6	10001116131	2	RING, PISTON	
7	10001327430	1	PIN, PISTON	
8	10001503931	2	CIRCLIP, PISTON PIN	
9	10001453630	2	SPACER, PISTON PIN	
10	10001216131	1	BEARING, NEEDLE	
11	10010055430	1	CRANKSHAFT ASY	
12	10020455430	1	CRANKCASE KIT	INCLUDES ITEMS 13-17
13	10021305530	2	OIL SEAL	
14	10021503930	4	PIN, DOWEL	
15	9403536201	2	BEARING BALL	
★ 16	10024255430	1	GASKET, CRANKCASE	
17	90016205030	4	BOLT 5X30	
★ Also Included In GASKET KIT				
18	P021003243	1	GASKET KIT	
19	A162000030	1	GUARD, TOP	
20	90023804014	2	SCREW 4X14	
21	V353000020	1	COLLAR 5	
22	90010605020	1	BOLT 5X20	
23	90010605012	1	BOLT 5X12	
24	90023805010	1	SCREW 5X10	
25	16201452930	1	LEAD, GROUND	
26	15262655730	1	COIL, IGNITION	
27	90016205020	2	BOLT 5X20	
28	15611240630	1	GROMMET	
29	15901203433	1	CAP, SPARK PLUG	
30	15901103432	1	TERMINAL, SPARK PLUG CAP	
31	15901019830	1	SPARK PLUG -- BPM-8Y	
32	A425000000	1	SPARK PLUG -- BPMR-8Y	CANADA MODELS: 04001001-04999999 ■
33	16201055630	1	LEAD, IGNITION	
34	15280155430	1	FLYWHEEL	
35	90060000008	1	WASHER 8	
36	90060500008	1	SPRING WASHER 8	
37	90050200008	1	NUT 8	
38	10014212330	1	WOODRUFF KEY	
<u>MODELS: SRM-310, 310U, 311, 311U</u>				
39	A160000370	1	COVER, CYLINDER	
<u>MODELS: SRM-310S, 311S</u>				
40	A160000360	1	COVER, CYLINDER	



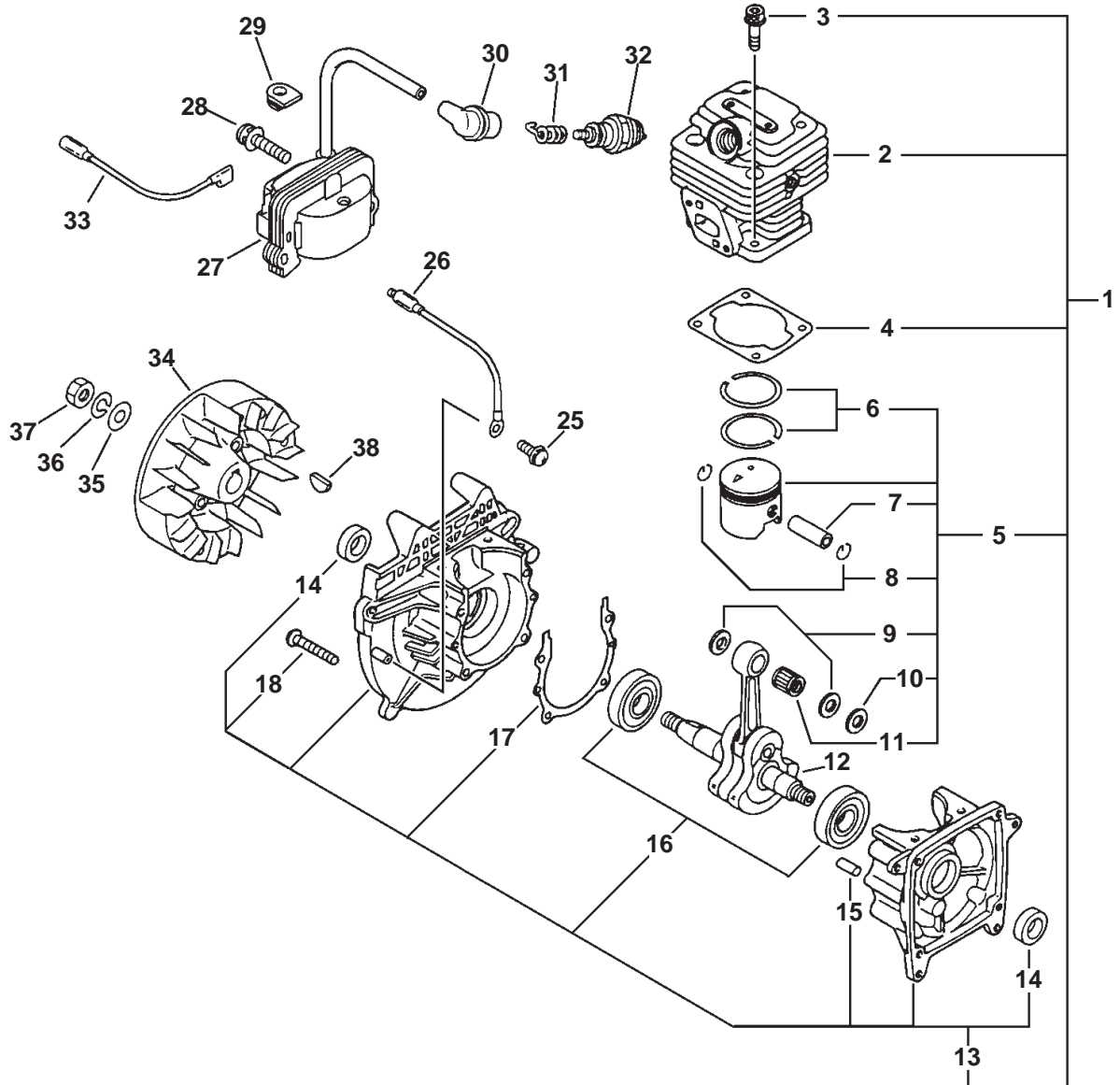
GASKET KIT

19



SRM-310, 311, 310U, 311U -- 39

SRM-310S, 311S -- 40



SERIAL NUMBERS: 09001001-09999999

ITEM	PART NUMBER	QTY	DESCRIPTION	REMARKS
<u>OPTIONAL ENGINE REPOWER</u>				
1	SB1073	1	SHORT BLOCK	INCLUDES ITEMS 2-18
2	A130000560	1	CYLINDER	
3	90016205020	4	BOLT 5X20	
★ 4	V100000140	1	GASKET, CYLINDER	
5	P021006802	1	PISTON KIT	INCLUDES ITEMS 6-11
6	A101000080	2	RING, PISTON	■
7	10001327430	1	PIN, PISTON	
8	10001503931	2	CIRCLIP, PISTON PIN	
9	10001453630	2	SPACER, PISTON PIN	
10	V306000121	1	WASHER	
11	10001216131	1	BEARING, NEEDLE	
12	A011000301	1	CRANKSHAFT ASY	
13	P021006980	1	CRANKCASE KIT	INCLUDES ITEMS 14-18
14	10021305530	2	OIL SEAL	
15	10021503930	4	PIN, DOWEL	
★ 16	9403536201	2	BEARING BALL	
17	10024255430	1	GASKET, CRANKCASE	
18	90016205030	4	BOLT 5X30	

★ Also Included In GASKET KIT

19	P021006882	1	GASKET KIT	
20	A162000030	1	GUARD, TOP	
21	90023804014	2	SCREW 4X14	
22	V353000020	1	COLLAR 5	
23	90010605020	1	BOLT 5X20	
24	90010605012	1	BOLT 5X12	
25	90023805010	1	SCREW 5X10	
26	16201452930	1	LEAD, GROUND	
27	15262655730	1	COIL, IGNITION	
28	90016205020	2	BOLT 5X20	
29	15611240630	1	GROMMET	
30	15901203433	1	CAP, SPARK PLUG	
31	15901103432	1	TERMINAL, SPARK PLUG CAP	
32	15901019830	1	SPARK PLUG -- BPM-8Y	
33	16201055630	1	LEAD, IGNITION	
34	15280155430	1	FLYWHEEL	
35	90060000008	1	WASHER 8	
36	90060500008	1	SPRING WASHER 8	
37	90050200008	1	NUT 8	
38	10014212330	1	WOODRUFF KEY	

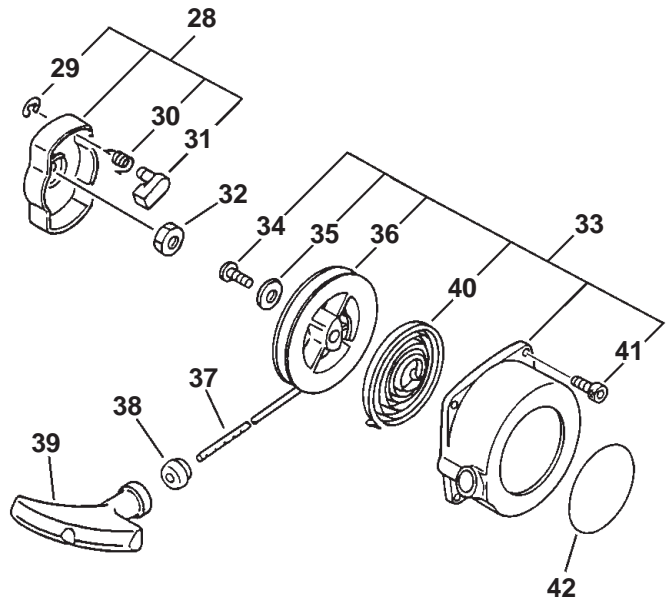
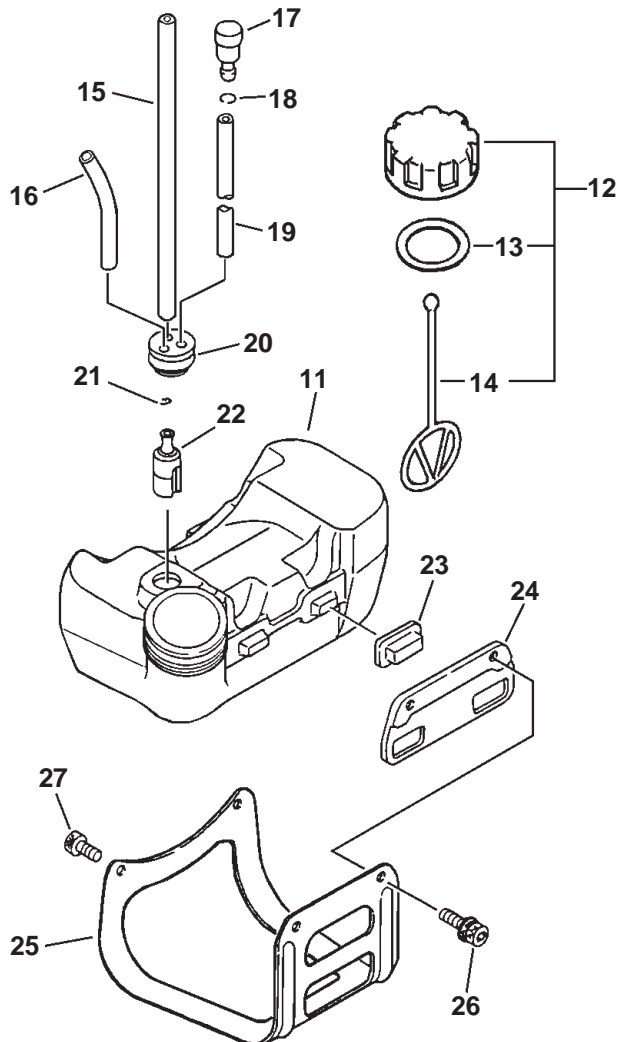
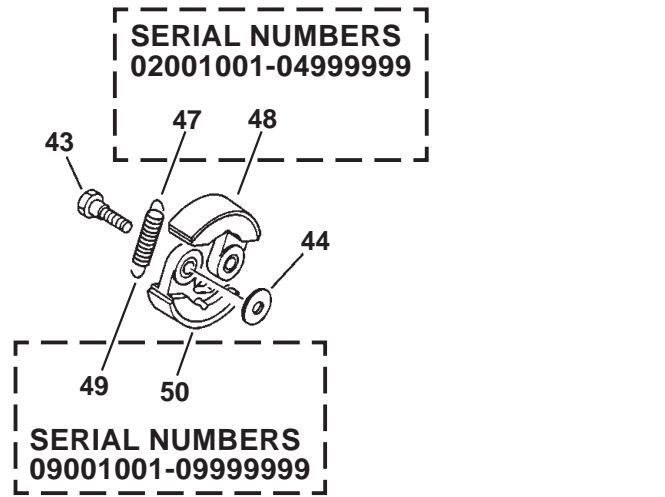
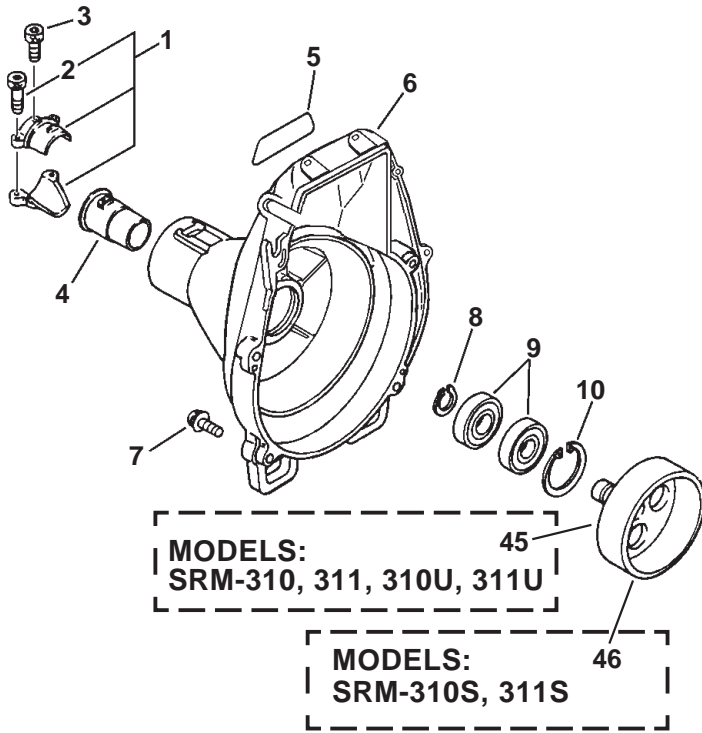
MODELS: SRM-311, 311U

39	A160000370	1	COVER, CYLINDER	
----	------------	---	-----------------	--

MODELS: SRM-311S

40	A160000360	1	COVER, CYLINDER	
----	------------	---	-----------------	--

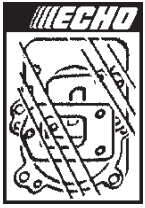
SERIAL NUMBERS: ALL



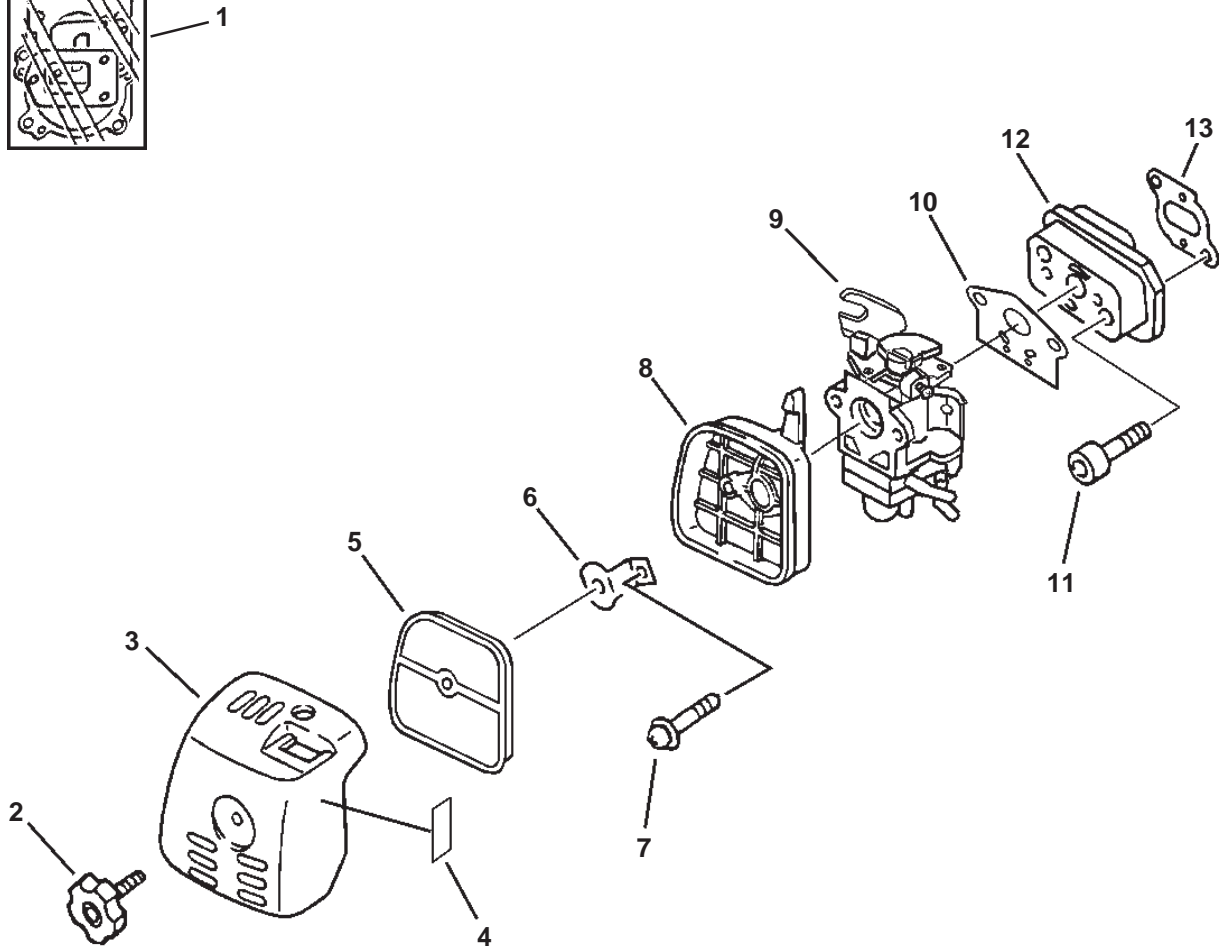
SERIAL NUMBERS: ALL

ITEM	PART NUMBER	QTY	DESCRIPTION	REMARKS
1	61090355430	1	HOLDER KIT	INCLUDES ITEM 2
2	90016205025	2	BOLT 5X25	
3	90016205012	1	BOLT 5X12	
4	61091055730	1	CUSHION	
5	X503002810	1	LABEL, MODEL SRM-310	
5	X503002660	1	LABEL, MODEL SRM-311	
5	X503002820	1	LABEL, MODEL SRM-310S	
5	X503002670	1	LABEL, MODEL SRM-311S	
5	X503002830	1	LABEL, MODEL SRM-310U	
5	X503002680	1	LABEL, MODEL SRM-311U	
6	A172000210	1	COVER, FAN	
7	90016205020	4	BOLT 5X20	
8	90070100012	1	CIRCLIP 12	
9	90080796001	2	BEARING, BALL 6001	
10	90070200028	1	CIRCLIP 28	
11	A350000171	1	TANK, FUEL	
12	13100455530	1	FUEL TANK CAP ASY	INCLUDES ITEMS 13-14
13	13101655830	1	GASKET, FUEL CAP	
14	13105156030	1	CONNECTOR, FUEL CAP	
15	13201013930	1	PIPE, FUEL - 3X6X180mm	BULK OPTION: 90015
16	13271750430	1	PIPE, RETURN - 3X6X70mm	BULK OPTION: 90017
17	A356000030	1	VENT ASY	
18	13011100530	1	CLIP	
19	V471000600	1	PIPE, VENT - 3X5X120mm	BULK OPTION: 90014
20	13211546730	1	GROMMET, FUEL	
21	13201309820	1	CLIP	
22	13120507320	1	FILTER, FUEL	
23	13192055430	4	CUSHION, FUEL TANK	
24	13191055430	1	BRACKET, FUEL TANK	
25	30511055830	1	STAND	
26	90016205020	2	BOLT 5X20	
27	90016205012	2	BOLT 5X12	
28	17720241030	1	STARTER PAWL ASY	INCLUDES ITEMS 29-31
29	90070000004	1	E-RING 4	
30	17723440630	1	SPRING, RETURN	
31	17721840630	1	PAWL, STARTER	
32	90050200008	1	NUT 8	
33	A051000160	1	STARTER, RECOIL	INCLUDES ITEMS 34-41
34	17723640630	1	SCREW	
35	17721441030	1	WASHER	
36	17721543130	1	DRUM, STARTER	
37	17722601110	1	ROPE, STARTER	4mm(5/32") X 950mm(37-3/8"), BULK OPTION: 99944450000
38	17722742030	1	GUIDE, ROPE	
39	17722811120	1	GRIP, STARTER	
40	17722040630	1	SPRING, REWIND	
41	90016204014	4	BOLT 4X14	
42	89011849330	1	LABEL, ECHO	
43	17504646430	2	BOLT, CLUTCH	
44	17504805530	2	WASHER	
<u>MODELS: SRM-310, 310U, 311, 311U</u>				
45	17500555730	1	DRUM, CLUTCH	
<u>MODELS: SRM-310S, 311S</u>				
46	17500546430	1	DRUM, CLUTCH	
<u>SERIAL NUMBERS: 02001001-04999999</u>				
47	17501827932	1	SPRING, CLUTCH	
48	17500946431	2	SHOE, CLUTCH	
<u>SERIAL NUMBERS: 09001001-09999999</u>				
49	17501849931	1	SPRING, CLUTCH	
50	A553000000	2	SHOE, CLUTCH	

SERIAL NUMBERS: 02001001-04999999



GASKET KIT

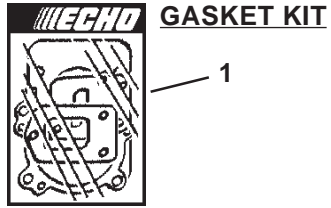


SERIAL NUMBERS: 02001001-04999999

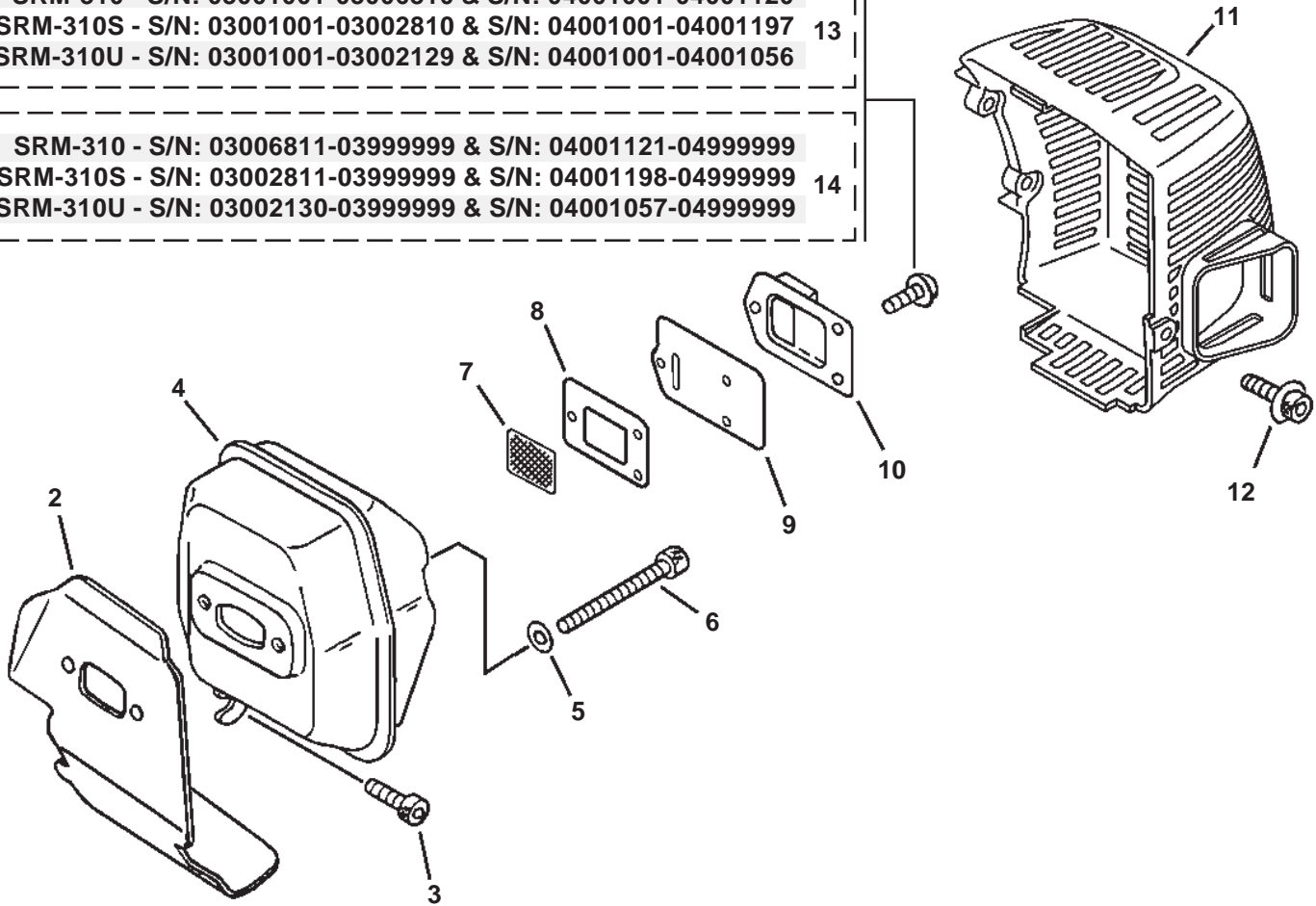
ITEM	PART NUMBER	QTY	DESCRIPTION	REMARKS
1	P021003241	1	GASKET KIT	
2	13040652130	1	KNOB, FASTENER	
3	13031357731	1	LID, CLEANER	
4	89033252730	1	LABEL, CHOKE	
5	13031051830	1	FILTER, AIR	
6	12901157730	1	PLATE, PREVENT	
7	90024205060	2	SCREW 5X60	
8	P021001430	1	CASE, AIR CLEANER	
9	A021000320	1	CARBURETOR -- WYJ-275	
★10	13001013410	1	GASKET, INTAKE	
11	13001756431	1	INSULATOR	
12	90016205025	2	BOLT 5X25	
★13	13001055930	1	GASKET, INTAKE	

★ Also Included In GASKET KIT

SERIAL NUMBERS: 03001001-04999999



SRM-310 - S/N: 03001001-03006810 & S/N: 04001001-04001120	13
SRM-310S - S/N: 03001001-03002810 & S/N: 04001001-04001197	
SRM-310U - S/N: 03001001-03002129 & S/N: 04001001-04001056	
SRM-310 - S/N: 03006811-03999999 & S/N: 04001121-04999999	14
SRM-310S - S/N: 03002811-03999999 & S/N: 04001198-04999999	
SRM-310U - S/N: 03002130-03999999 & S/N: 04001057-04999999	



SERIAL NUMBERS: 03001001-04999999

ITEM	PART NUMBER	QTY	DESCRIPTION	REMARKS
1	P021003241	1	GASKET KIT	
★ 2	V104000270	1	SHIELD, EXHAUST	
3	90016205012	1	BOLT 5X12	
4	A300000270	1	MUFFLER	
5	90060000005	2	WASHER 5	
6	90010505060	2	BOLT 5X60	
7	14586240630	1	SCREEN, MUFFLER	
★ 8	V104000520	1	GASKET, EXHAUST	
★ 9	V104000340	1	GASKET, EXHAUST	
10	A313000330	1	GUIDE, EXHAUST	
11	90010605014	3	BOLT 5X14	
12	A320000100	1	COVER, MUFFLER	

SRM-310 - S/N: 03001001-03006810 & S/N: 04001001-04001120
 SRM-310S - S/N: 03001001-03002810 & S/N: 04001001-04001197
SRM-310U - S/N: 03001001-03002129 & S/N: 04001001-04001056

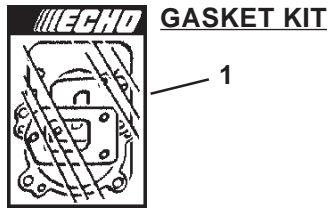
13	90024204010	3	SCREW 4X10	
----	-------------	---	------------	--

SRM-310 - S/N: 03006811-03999999 & S/N: 04001121-04999999
 SRM-310S - S/N: 03002811-03999999 & S/N: 04001198-04999999
SRM-310U - S/N: 03002130-03999999 & S/N: 04001057-04999999

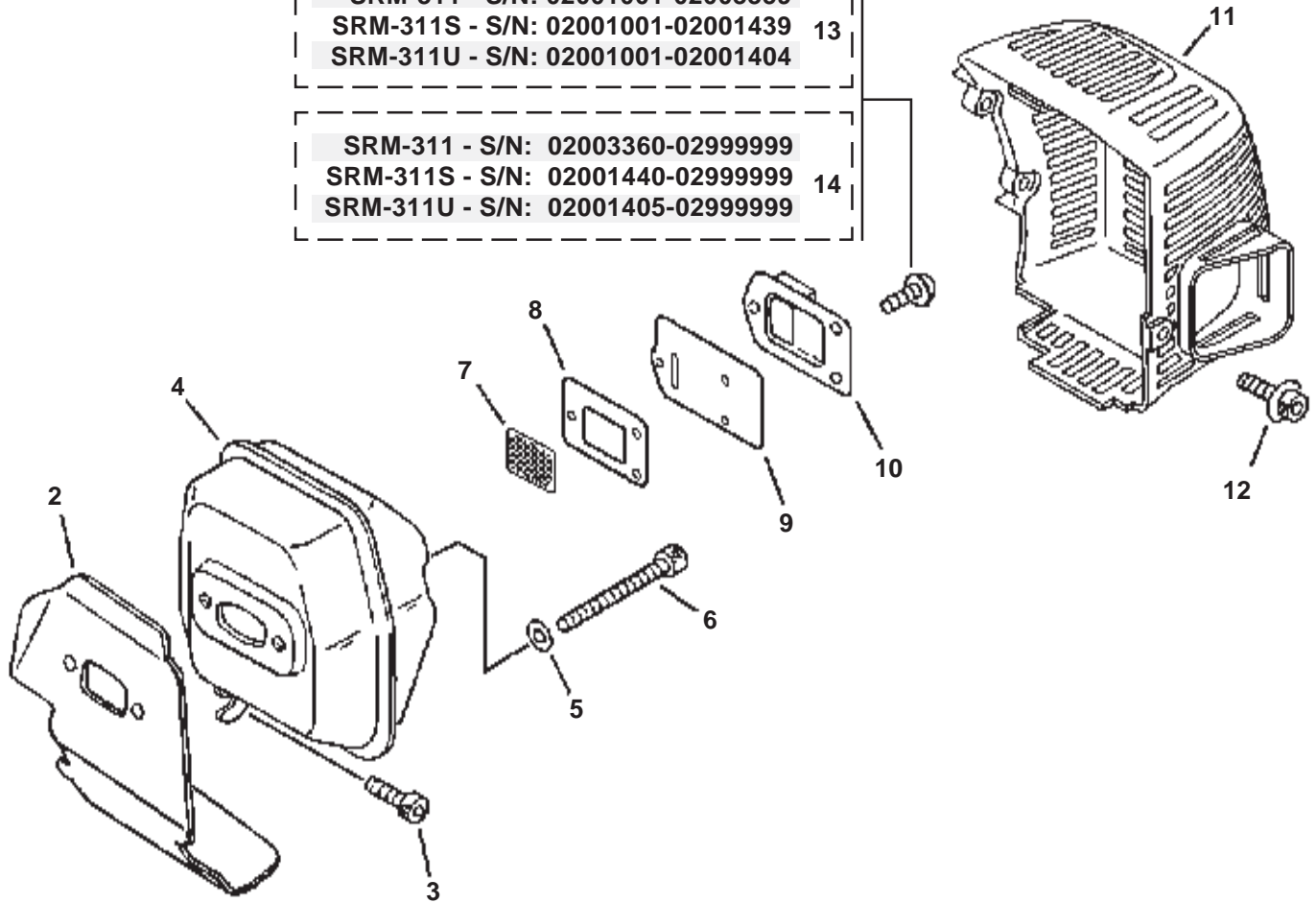
14	90024204014	3	SCREW 4X14	
----	-------------	---	------------	--

★ Also Included In GASKET KIT

SERIAL NUMBERS: 02001001-02999999



SRM-311 - S/N: 02001001-02003359	13
SRM-311S - S/N: 02001001-02001439	
SRM-311U - S/N: 02001001-02001404	
SRM-311 - S/N: 02003360-02999999	14
SRM-311S - S/N: 02001440-02999999	
SRM-311U - S/N: 02001405-02999999	



SERIAL NUMBERS: 02001001-02999999

ITEM	PART NUMBER	QTY	DESCRIPTION	REMARKS
1	P021003241	1	GASKET KIT	
★ 2	V104000270	1	SHIELD, EXHAUST	
3	90016205012	1	BOLT 5X12	
4	A300000260	1	MUFFLER	
5	90060000005	2	WASHER 5	
6	90010505060	2	BOLT 5X60	
7	14586240630	1	SCREEN, MUFFLER	
★ 8	V104000520	1	GASKET, EXHAUST	
★ 9	V104000280	1	GASKET, EXHAUST	
10	A313000320	1	GUIDE, EXHAUST	
11	90010605014	3	BOLT 5X14	
12	A320000100	1	COVER, MUFFLER	

SRM-311 - S/N: 02001001-02003359
 SRM-311S - S/N: 02001001-02001439
SRM-311U - S/N: 02001001-02001404

13	9136704010	3	SCREW 4X10	
----	------------	---	------------	--

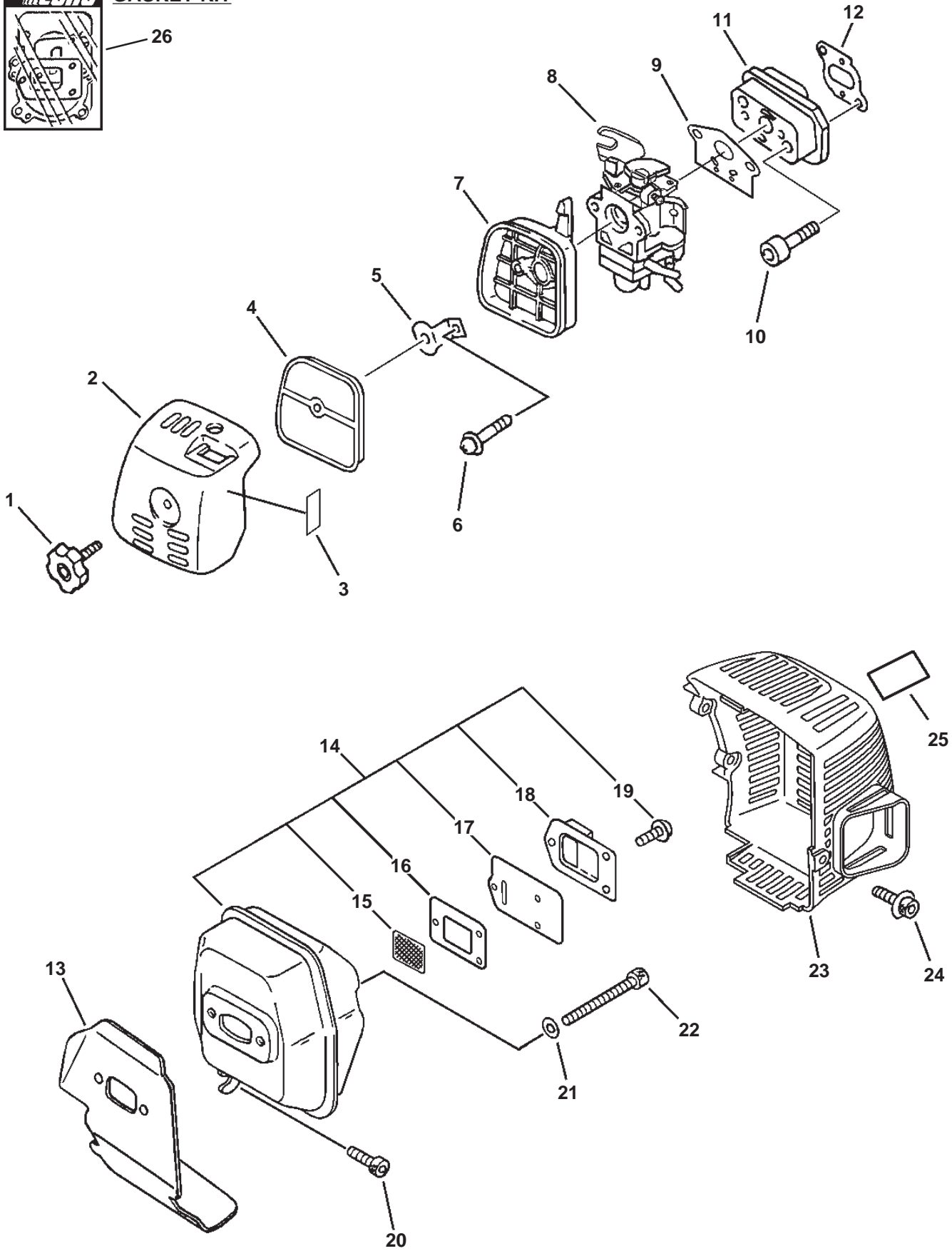
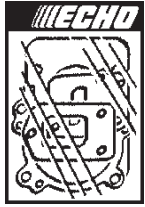
SRM-311 - S/N: 02003360-02999999
 SRM-311S - S/N: 02001440-02999999
SRM-311U - S/N: 02001405-02999999

14	9136704012	3	SCREW 4X12	
----	------------	---	------------	--

★ Also Included In GASKET KIT

SERIAL NUMBERS: 09001001-09999999

ECHO GASKET KIT



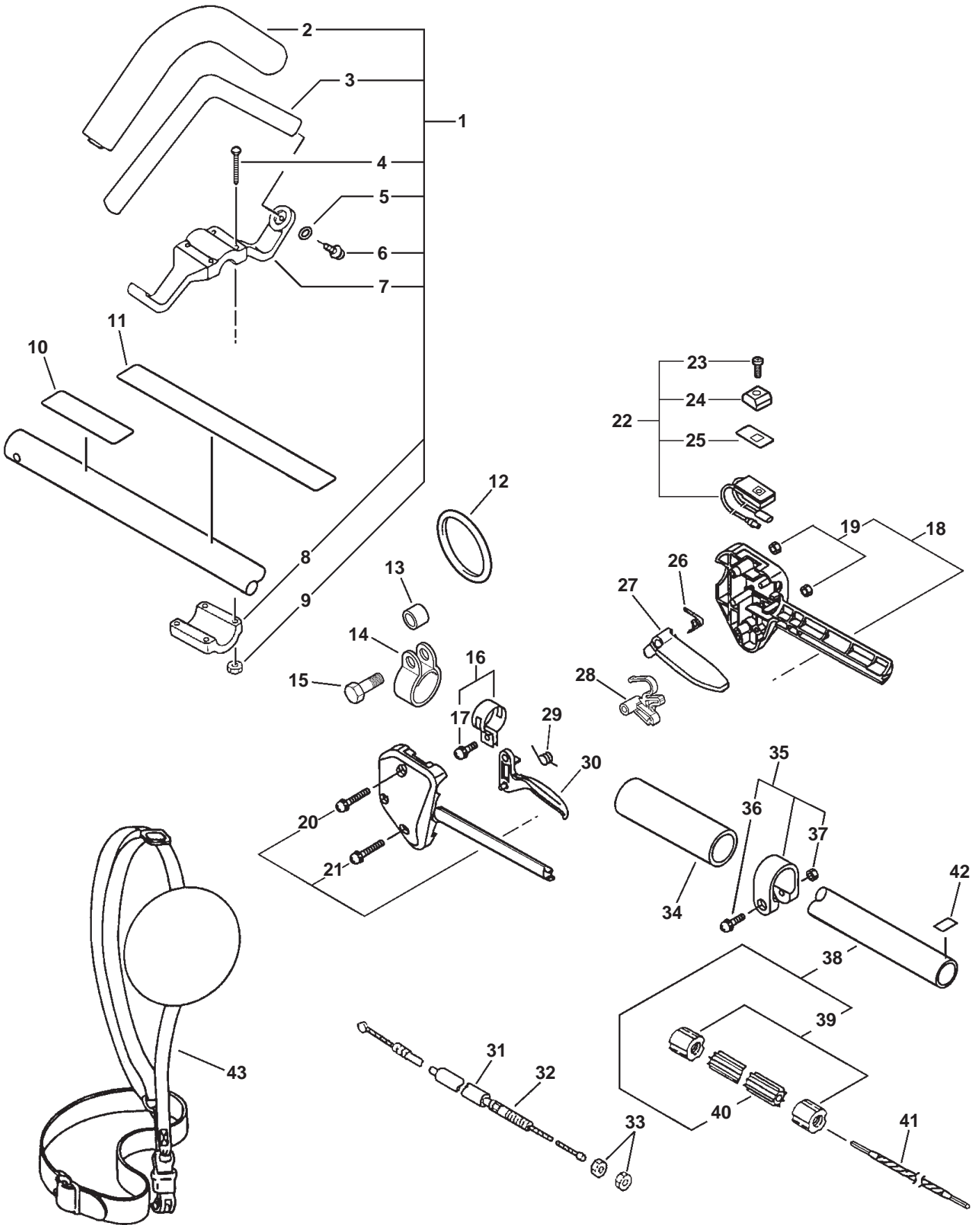
SERIAL NUMBERS: 09001001-09999999

ITEM	PART NUMBER	QTY	DESCRIPTION	REMARKS
1	13040652131	1	KNOB, FASTENER	
2	13031357731	1	LID, CLEANER	
3	89033252730	1	LABEL, CHOKE	
4	13031051830	1	FILTER, AIR	
5	12901157730	1	PLATE, PREVENT	
6	90024205060	2	SCREW 5X60	
7	P021001430	1	CASE, AIR CLEANER	
8	A021000750	1	CARBURETOR -- WYJ-189	
★ 9	13001013410	1	GASKET, INTAKE	
10	A200000150	1	INSULATOR	
11	90016205025	2	BOLT 5X25	
★12	13001055930	1	GASKET, INTAKE	
★13	V104000490	1	SHIELD, MUFFLER	
14	P021006811	1	MUFFLER ASY	INCLUDES ITEMS 15-19
15	14586240630	1	SCREEN, MUFFLER	
★16	V104000520	1	GASKET, EXHAUST	
★17	V104000460	1	GASKET, EXHAUST	
18	A313000470	1	GUIDE, EXHAUST	
19	9136704012	3	SCREW	
20	90016205012	1	BOLT 5X12	
21	90060000005	2	WASHER 5	
22	90010505060	2	BOLT 5X60	
23	A320000100	1	COVER, MUFFLER	
24	90010605014	3	BOLT 5X14	
25	89016006361	1	LABEL - HOT	

★ Also Included In GASKET KIT

26	P021006882	1	GASKET KIT	
----	------------	---	------------	--

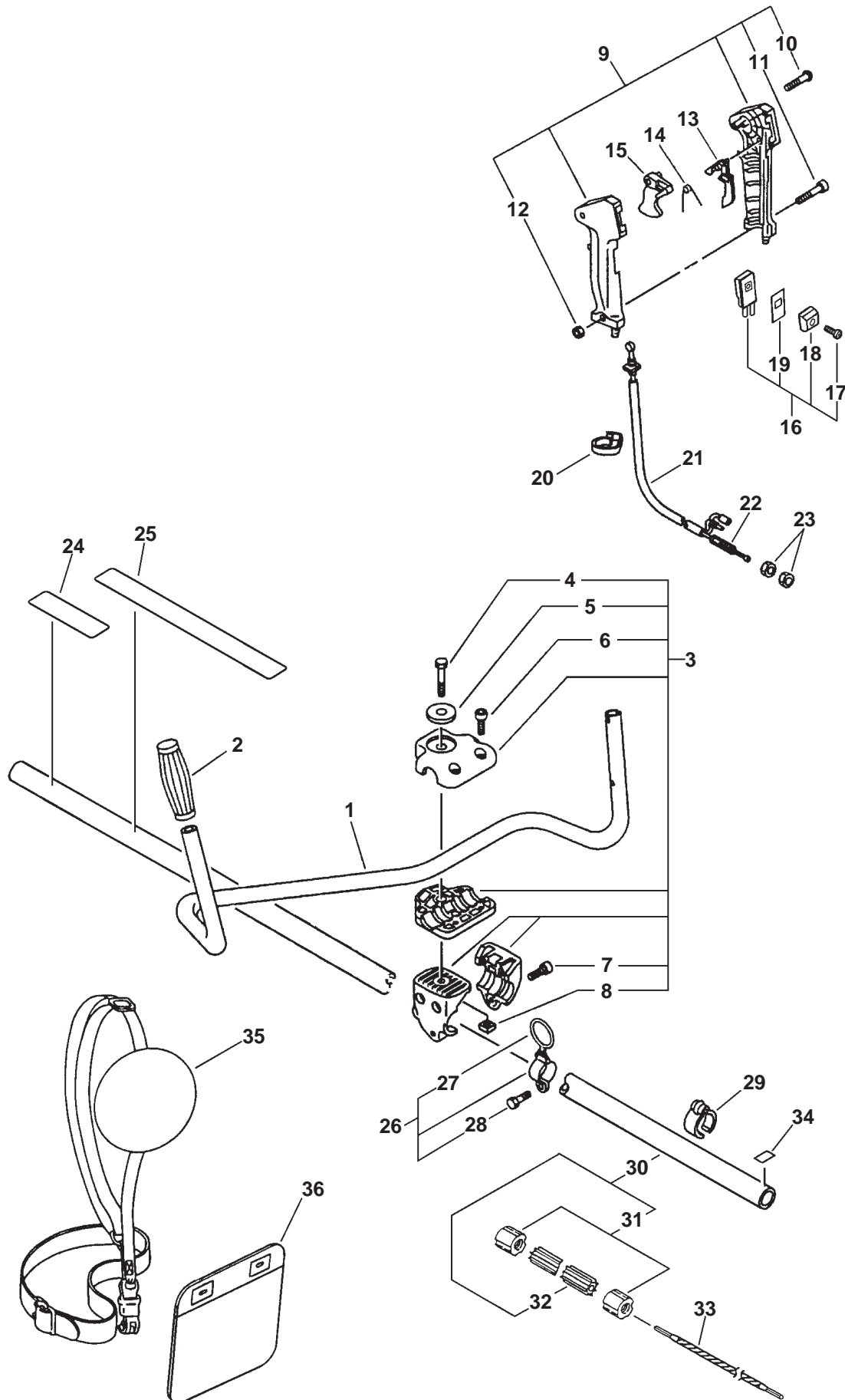
SERIAL NUMBERS: ALL



SERIAL NUMBERS: ALL

ITEM	PART NUMBER	QTY	DESCRIPTION	REMARKS
1	P021000021	1	FRONT HANDLE ASY	INCLUDES ITEMS 2-9
2	35121666230	1	GRIP, HANDLE	
3	35120566230	1	HANDLE, FRONT	
4	90024205035	4	SCREW 5X35	
5	90060000005	2	WASHER 5	
6	90025305020	2	SCREW 5X20	
7	35123266230	1	BRACKET, HANDLE	
8	35122507130	1	BRACKET, HANDLE	
9	90050000005	4	NUT 5	
10	89022809560	1	LABEL, CAUTION - SPANISH	
11	89016054130	1	LABEL, CAUTION	
12	30101652730	1	RING, HARNESS	
13	69901203330	1	SPACER	
14	30120708930	1	CLAMP	
15	90010005018	1	BOLT 5X18	
16	30120029430	1	BAND ASY	INCLUDES ITEM 17
17	90024205014	1	SCREW 5X14	
18	17800352130	1	THROTTLE BRACKET SET	INCLUDES ITEMS 19-21
19	90050000005	2	NUT 5	
20	90024205035	1	SCREW 5X35	
21	90024205025	1	SCREW 5X25	
22	16340049330	1	SWITCH, IGNITION	INCLUDES ITEMS 23-25
23	90022003010	1	SCREW	
24	16341049231	1	KNOB, SWITCH	
25	89015712330	1	LABEL, SWITCH	
26	17801352630	1	SPRING, THROTTLE LOCKOUT CONTROL	
27	17809052631	1	LOCKOUT, THROTTLE CONTROL	
28	17801252730	1	LOCKOUT, THROTTLE	
29	17804342230	1	SPRING, THROTTLE RETURN	
30	17801052130	1	CONTROL, THROTTLE	
31	17812751030	1	TUBE	
32	V430000140	1	CABLE, THROTTLE	
33	90050200006	2	NUT 6	
34	35121352130	1	GRIP, FRONT HANDLE	
35	61027252130	1	BAND ASY	INCLUDES ITEMS 36-37
36	90024205028	1	SCREW 5X28	
37	90050000005	1	NUT 5	
38	61020655730	1	MAIN PIPE ASY	INCLUDES ITEMS 39-40
39	61024644730	2	STOPPER	
40	61021744730	1	LINER	
41	61001344730	1	DRIVESHAFT - FLEXIBLE	
42	89015204930	1	LABEL, ALIGNMENT	
43	C062000070	1	HARNESS, SHOULDER	

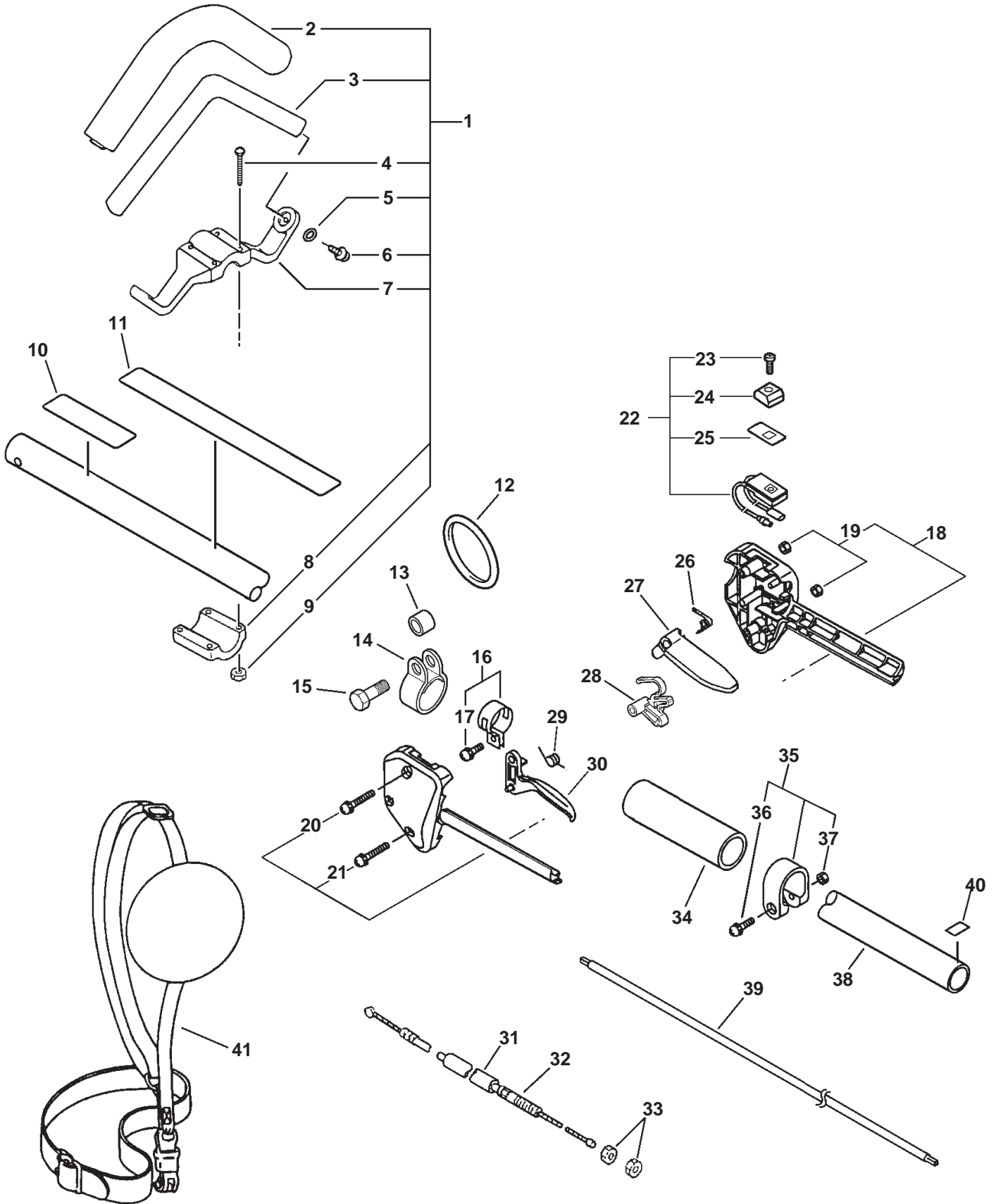
SERIAL NUMBERS: ALL



SERIAL NUMBERS: ALL

ITEM	PART NUMBER	QTY	DESCRIPTION	REMARKS
1	C400000000	1	HANDLE, FRONT	
2	35131102330	1	GRIP, HANDLE	
3	35130152130	1	HANDLE BRACKET ASY	INCLUDES ITEMS 4-8
4	35142152130	1	BOLT	
5	60501454230	1	WASHER	
6	90016205020	2	BOLT 5X20	
7	90016205030	3	BOLT 5X30	
8	90056550008	1	NUT	
9	35110247530	1	HANDLE GRIP ASY	INCLUDES ITEMS 10-12
10	90024603025	4	SCREW 3X25	
11	90022005030	1	SCREW 5X30	
12	90050000005	1	NUT 5	
13	17801205960	1	LOCKOUT, THROTTLE	
14	17801335631	1	SPRING, THROTTLE LOCK	
15	17801005960	1	CONTROL, THROTTLE	
16	A440000310	1	SWITCH, IGNITION	INCLUDES ITEMS 17-19
17	9154503010	1	SCREW	
18	16341049231	1	KNOB, SWITCH	
19	89015712330	1	LABEL, SWITCH	
20	15911209960	1	CLIP	
21	V475000000	1	TUBE	
22	V430000160	1	CABLE, THROTTLE	
23	90050200006	2	NUT 6	
24	89022809560	1	LABEL, CAUTION - SPANISH	
25	89016054130	1	LABEL, CAUTION	
26	30120021330	1	HARNESS RING ASY	INCLUDES ITEMS 27-28
27	30101505330	1	RING	
28	90010005012	1	BOLT 5X12	
29	22492452130	1	CLIP	
30	61020655730	1	MAIN PIPE ASY	INCLUDES ITEMS 31-32
31	61024644730	2	STOPPER	
32	61021744730	1	LINER	
33	61001344730	1	DRIVESHAFT - FLEXIBLE	
34	89015204930	1	LABEL, ALIGNMENT	
35	C062000070	1	HARNESS, SHOULDER	
36	30110541830	1	CUSHION	

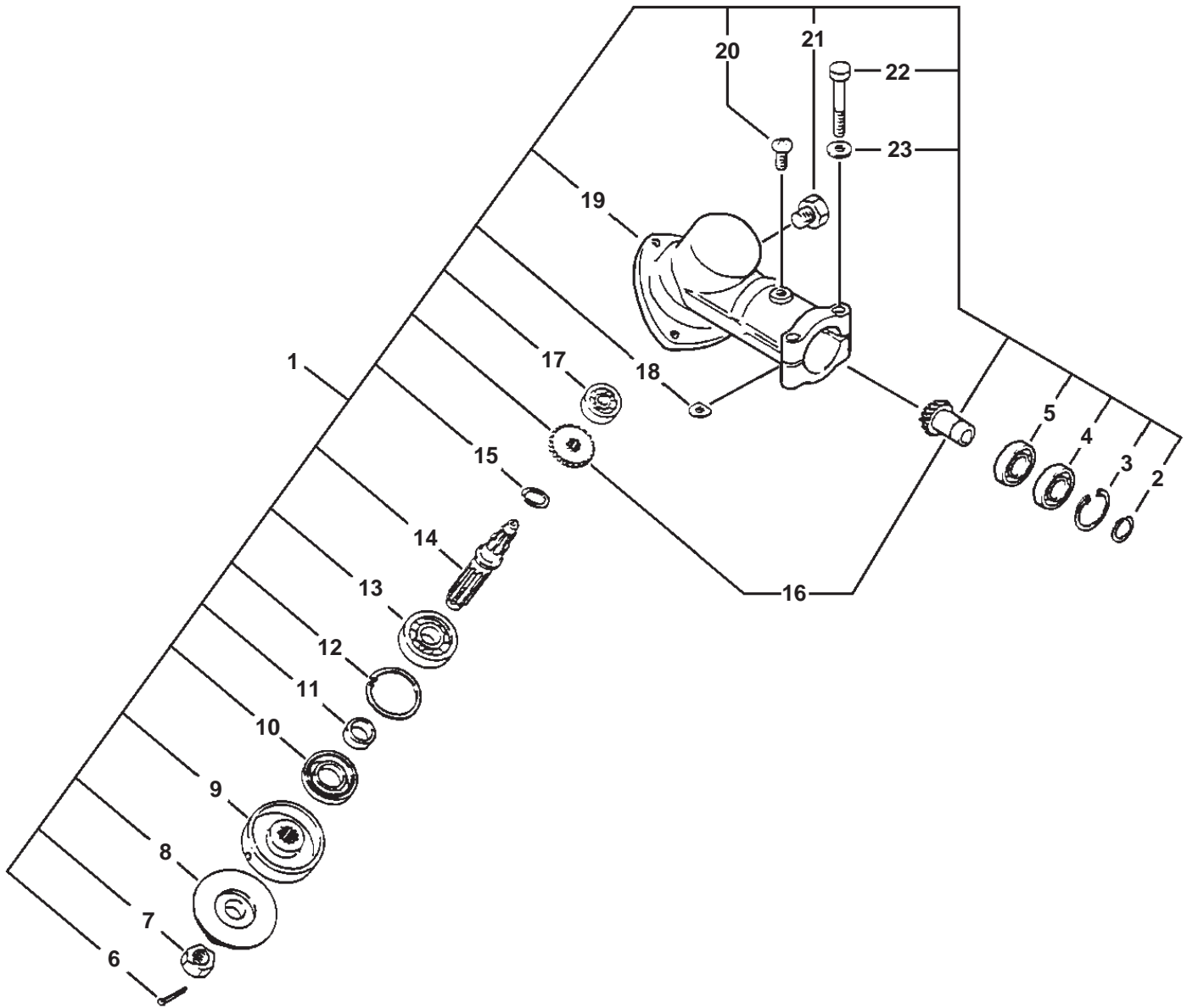
SERIAL NUMBERS: ALL



SERIAL NUMBERS: ALL

ITEM	PART NUMBER	QTY	DESCRIPTION	REMARKS
1	P021000020	1	FRONT HANDLE ASY	INCLUDES ITEMS 2-9
2	35121666230	1	GRIP, HANDLE	
3	35120566230	1	HANDLE, FRONT	
4	90024205035	4	SCREW 5X35	
5	90060000005	2	WASHER 5	
6	90025305020	2	SCREW 5X20	
7	35123266230	1	BRACKET, HANDLE	
8	35122507130	1	BRACKET, HANDLE	
9	90050000005	4	NUT 5	
10	89022809560	1	LABEL, CAUTION - SPANISH	
11	89016054130	1	LABEL, CAUTION	
12	30101652730	1	RING, HARNESS	
13	69901203330	1	SPACER	
14	30120708930	1	CLAMP	
15	90010005018	1	BOLT 5X18	
16	30120029430	1	BAND ASY	INCLUDES ITEM 17
17	90024205014	1	SCREW 5X14	
18	17800352130	1	THROTTLE BRACKET SET	INCLUDES ITEMS 19-21
19	90050000005	2	NUT 5	
20	90024205035	1	SCREW 5X35	
21	90024205025	1	SCREW 5X25	
22	16340049330	1	SWITCH, IGNITION	INCLUDES ITEMS 23-25
23	90022003010	1	SCREW	
24	16341049231	1	KNOB, SWITCH	
25	89015712330	1	LABEL, SWITCH	
26	17801352630	1	SPRING, THROTTLE LOCKOUT CONTROL	
27	17809052630	1	LOCKOUT, THROTTLE CONTROL	
28	17804342230	1	SPRING, THROTTLE RETURN	
29	17804342230	1	SPRING, THROTTLE RETURN	
30	17801052130	1	CONTROL, THROTTLE	
31	17812751030	1	TUBE	
32	V430000140	1	CABLE, THROTTLE	
33	90050200006	2	NUT 6	
34	35121352130	1	GRIP, FRONT HANDLE	
35	61027252130	1	BAND ASY	INCLUDES ITEMS 36-37
36	90024205028	1	SCREW 5X28	
37	90050000005	1	NUT 5	
38	61020651830	1	DRIVESHAFT HOUSING ASY	
39	61001127431	1	DRIVESHAFT, STEEL	
40	89015204930	1	LABEL, ALIGNMENT	
41	C062000070	1	HARNESS, SHOULDER	

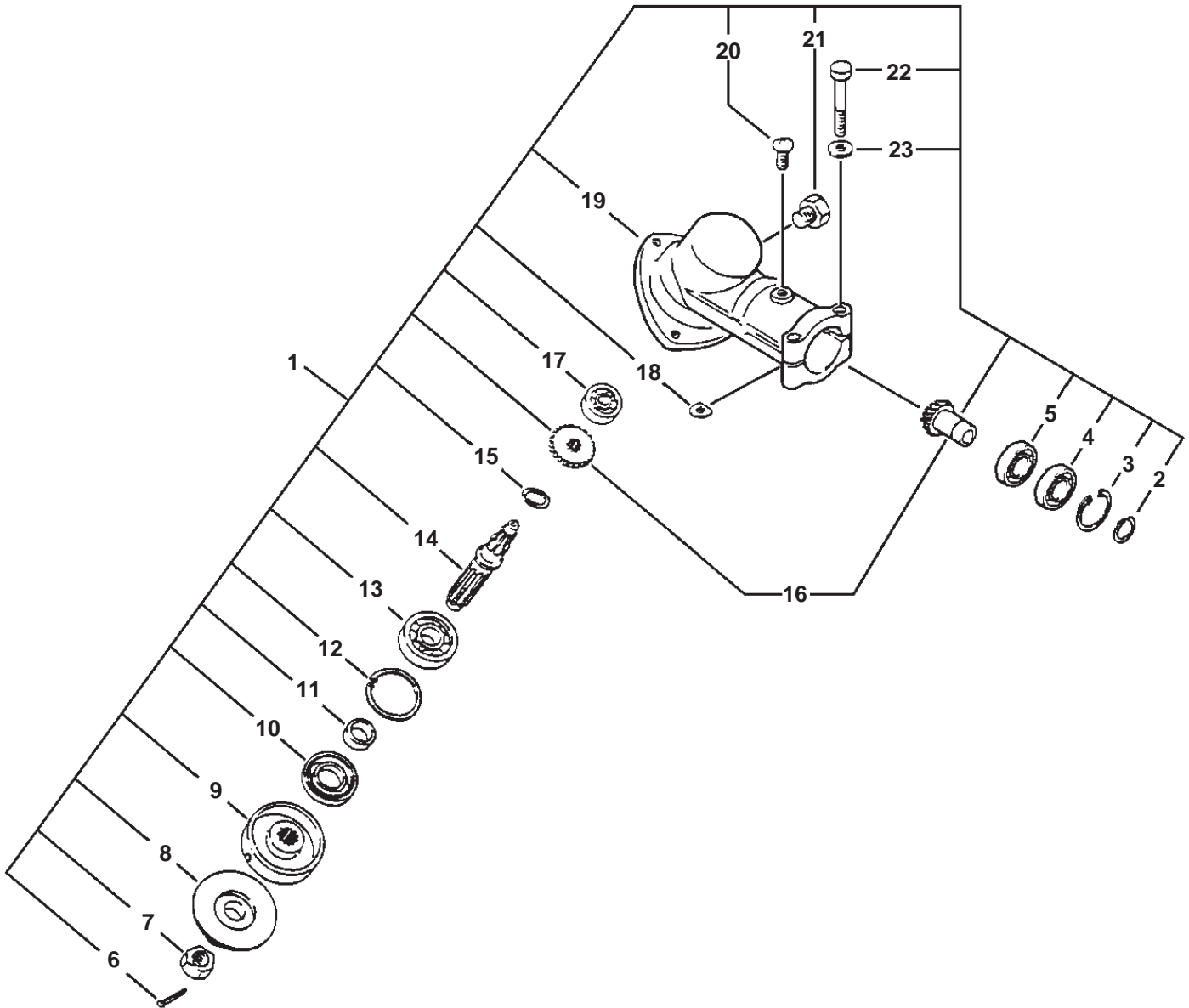
SERIAL NUMBERS: ALL



SERIAL NUMBERS: ALL

ITEM	PART NUMBER	QTY	DESCRIPTION	REMARKS
1	61040240930	1	GEAR HOUSING ASY	INCLUDES ITEMS 2-23
2	90070600012	1	CIRCLIP 12	
3	90070200022	1	CIRCLIP 22	
4	90085806900	1	BEARING, BALL 6900Z	
5	90085506900	1	BEARING, BALL 6900	
6	90030020022	1	SPLIT PIN 2X22	BULK OPTION: 89850201130 - 10 PER PACKAGE
7	90051100010	1	NUT 10 - LEFT HAND	
8	61031404131	1	PLATE, ADAPTER - LOWER	
9	61033808930	1	PLATE, ADAPTER - UPPER	
10	61041307130	1	SEAL, OIL	
11	61031507130	1	SPACER	
12	90070200032	1	CIRCLIP 32	
13	9403536201	1	BEARING, BALL 6201	
14	61036008931	1	SHAFT, P.T.O.	
15	90070600010	1	CIRCLIP 10	
16	61030044830	1	GEAR SET	
17	90080000609	1	BEARING, BALL 609	
18	61023904130	2	WASHER, SHIM	
19	61046027431	1	HOUSING, GEAR	
20	90024205010	1	SCREW 5X10	
21	61043450031	1	BOLT 8X8	
22	90010005035	2	BOLT 5X35	
23	90060000005	2	WASHER 5	

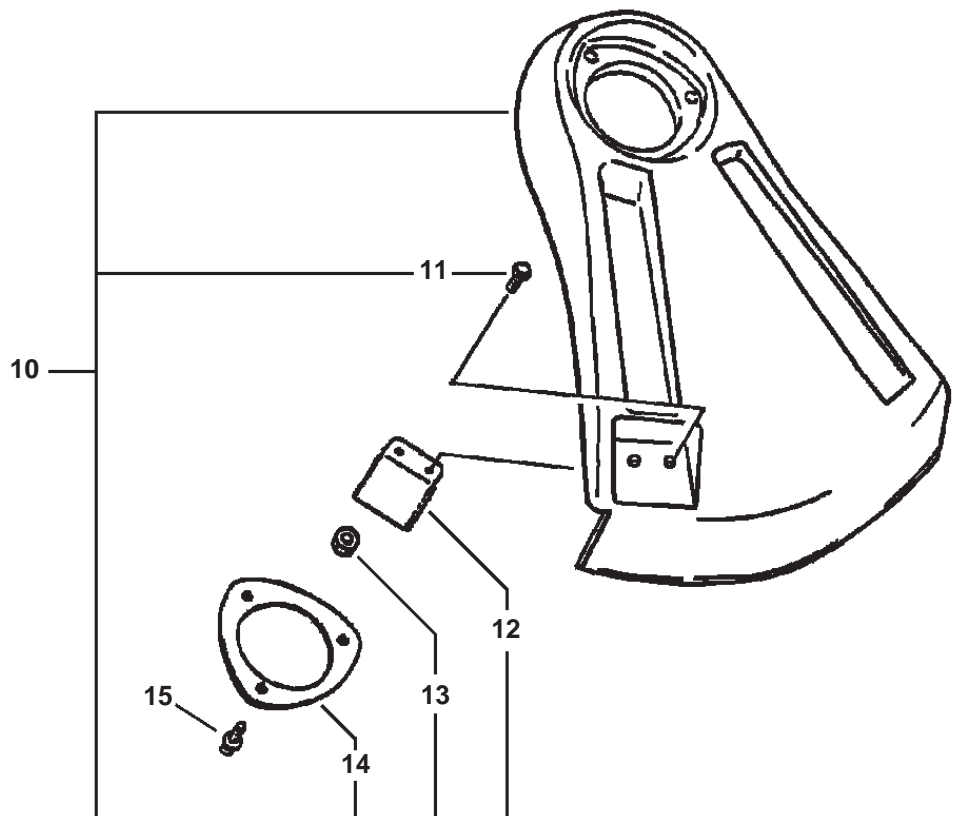
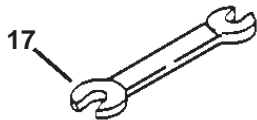
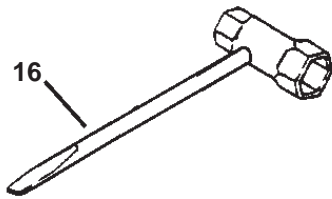
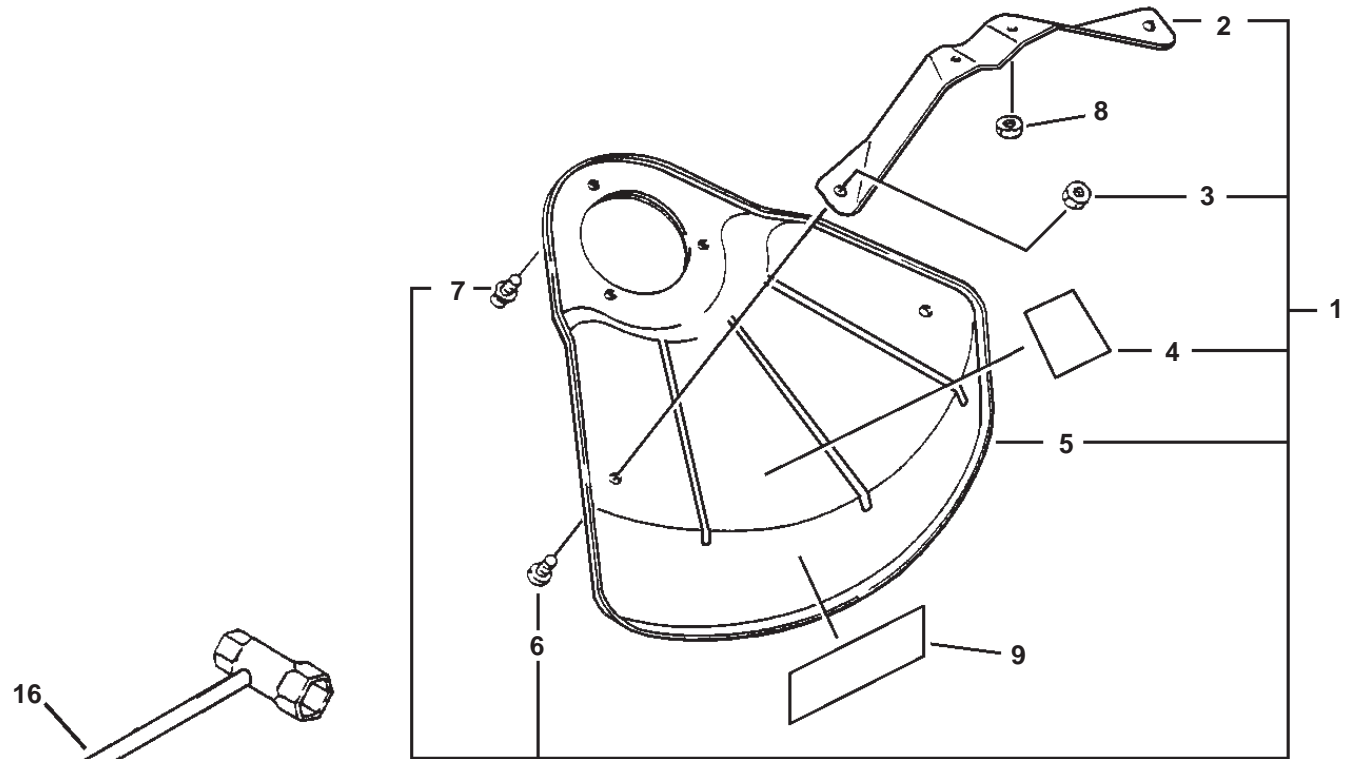
SERIAL NUMBERS: ALL



SERIAL NUMBERS: ALL

ITEM	PART NUMBER	QTY	DESCRIPTION	REMARKS
1	61040041931	1	GEAR HOUSING ASY	INCLUDES ITEMS 2-23
2	90070600012	1	CIRCLIP 12	
3	90070200022	1	CIRCLIP 22	
4	90085806900	1	BEARING, BALL 6900Z	
5	90085506900	1	BEARING, BALL 6900	
6	90030020022	1	SPLIT PIN 2X22	BULK OPTION: 89850201130 - 10 PER PACKAGE
7	90051100010	1	NUT 10 - LEFT HAND	
8	61031404131	1	PLATE, ADAPTER - LOWER	
9	61033808930	1	PLATE, ADAPTER - UPPER	
10	61041307130	1	SEAL, OIL	
11	61031507130	1	SPACER	
12	90070200032	1	CIRCLIP 32	
13	9403536201	1	BEARING, BALL 6201	
14	61036008931	1	SHAFT, P.T.O.	
15	90070600010	1	CIRCLIP 10	
16	61030040930	1	GEAR SET	
17	90080000609	1	BEARING, BALL 609	
18	61023904130	2	WASHER, SHIM	
19	61046027431	1	HOUSING, GEAR	
20	90024205010	1	SCREW 5X10	
21	61043450031	1	BOLT 8X8	
22	90010005035	2	BOLT 5X35	
23	90060000005	2	WASHER 5	

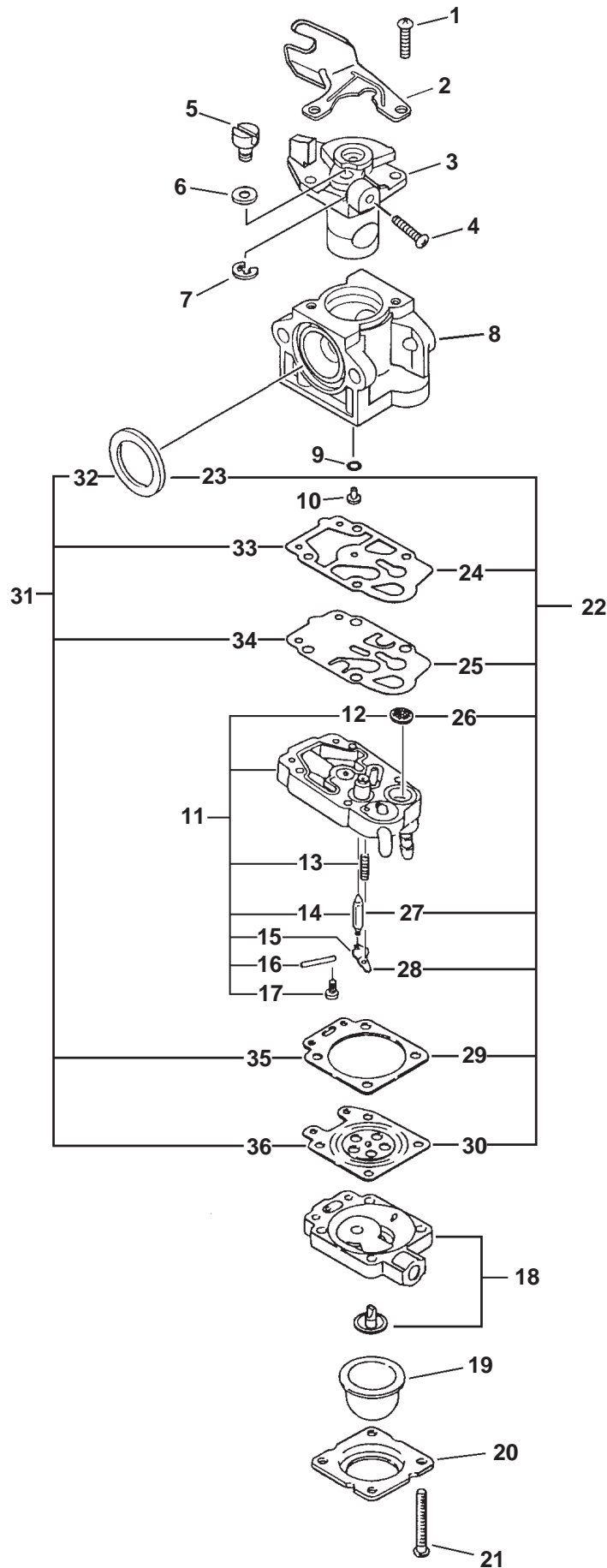
SERIAL NUMBERS: ALL



SERIAL NUMBERS: ALL

ITEM	PART NUMBER	QTY	DESCRIPTION	REMARKS
1	69900423432	1	SHIELD ASY	INCLUDES ITEMS 2-7
2	69901523431	1	BRACKET, SHIELD	
3	90056250005	2	LOCKNUT	
4	89016841031	1	LABEL, CAUTION	
5	69901023531	1	SHIELD, BLADE	
6	90022005008	2	SCREW 5X8	
7	90024205010	3	SCREW 5X10	
8	89011848830	1	LABEL, ECHO	
9	90056250005	2	FLANGE NUT 5	
10	P021001391	1	SHIELD ASY	INCLUDES ITEMS 11-14
11	90023805016	2	SCREW 5X16	
12	69901644330	1	CUTTER	
13	90050000005	2	NUT 5	
14	69901840830	1	BRACKET, SHIELD	
15	90023805016	3	SCREW 5X16	
16	X602000020	1	WRENCH, W/SCREWDRIVER	
17	89511200330	1	SPANNER 8X10	
18	89751801131	1	LOCKING TOOL	
19	89561000130	1	L-WRENCH - 4mm	

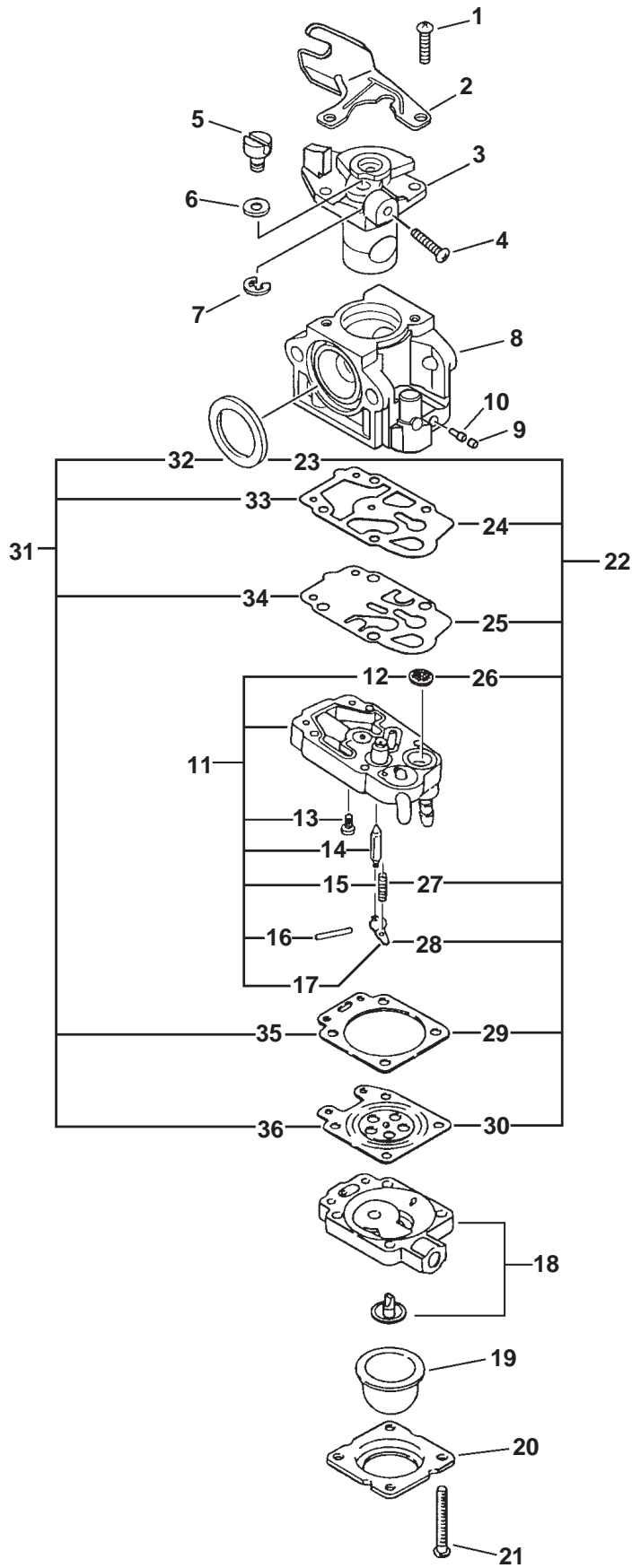
SERIAL NUMBERS: 02001001-04999999



SERIAL NUMBERS: 02001001-04999999

ITEM	PART NUMBER	QTY	DESCRIPTION	REMARKS
	A021000320	1	CARBURETOR -- WYJ-275	
1	12311440630	2	SCREW, CABLE BRACKET	
2	P003000180	1	BRACKET, CABLE	
3	-----	1	THROTTLE VALVE ASY	NOT AVAILABLE SEPARATELY
4	12313440030	1	SCREW, IDLE ADJUST	
5	12317245130	1	SWIVEL	
6	12314954230	1	WASHER	
7	12317307930	1	CLIP	
8	-----	1	BODY, CARBURETOR	NOT AVAILABLE SEPARATELY
9	12318305960	1	O-RING	
10	P003000260	1	JET	
11	12317905560	1	PUMP BODY ASY	INCLUDES ITEMS 12-17
12	-----	1	SCREEN, INLET	
13	12312205560	1	SPRING, METERING LEVER	
14	-----	1	VALVE, INLET NEEDLE	
15	-----	1	LEVER, METERING	
16	12313803930	1	PIN, METERING LEVER	
17	12313905560	1	SCREW, METERING LEVER PIN	
18	12318005560	1	BODY, AIR PURGE	
19	12318140630	1	PUMP, PRIMER	
20	12314205560	1	COVER, PRIMER PUMP	
21	12311005560	4	SCREW, PUMP COVER	
22	P003000190	1	REPAIR KIT	INCLUDES ITEMS 23-30
23	-----	1	RING, PACKING	
24	-----	1	GASKET, PUMP	
25	-----	1	DIAPHRAGM, PUMP	
26	-----	1	SCREEN, INLET	
27	-----	1	VALVE, INLET NEEDLE	
28	-----	1	LEVER, METERING	
29	-----	1	GASKET, METERING DIAPHRAGM	
30	-----	1	METERING, DIAPHRAGM	
31	P003000200	1	GASKET/DIAPHRAGM KIT	INCLUDES ITEMS 32-36
32	-----	1	RING, PACKING	
33	-----	1	GASKET, PUMP	
34	-----	1	DIAPHRAGM, PUMP	
35	-----	1	GASKET, METERING DIAPHRAGM	
36	-----	1	METERING, DIAPHRAGM	

SERIAL NUMBERS: 09001001-09999999



SERIAL NUMBERS: 09001001-09999999

ITEM	PART NUMBER	QTY	DESCRIPTION	REMARKS
	A021000750	1	CARBURETOR -- WYK-189	
1	12311440630	2	SCREW, CABLE BRACKET	
2	P003000180	1	BRACKET, CABLE	
3	-----	1	THROTTLE VALVE ASY	NOT AVAILABLE SEPARATELY
4	12313440030	1	SCREW, IDLE ADJUST	
5	12317245130	1	SWIVEL	
6	12314954230	1	WASHER	
7	12317307930	1	CLIP	
8	-----	1	BODY, CARBURETOR	NOT AVAILABLE SEPARATELY
9	A259000000	1	CAP, LIMITER	
10	P003001130	1	NEEDLE, HIGH SPEED	
11	12317905560	1	PUMP BODY ASY	INCLUDES ITEMS 12-17
12	-----	1	SCREEN, INLET	
13	12313905560	1	SCREW, METERING LEVER PIN	
14	-----	1	VALVE, INLET NEEDLE	
15	12312205560	1	SPRING, METERING LEVER	
16	12313803930	1	PIN, METERING LEVER	
17	-----	1	LEVER, METERING	
18	12318005560	1	BODY, AIR PURGE	
19	12318140630	1	PUMP, PRIMER	
20	12314205560	1	COVER, PRIMER PUMP	
21	12311005560	4	SCREW, PUMP COVER	
22	P003000660	1	REPAIR KIT	INCLUDES ITEMS 23-30 ■
23	-----	1	PACKING, RING	
24	-----	1	GASKET, PUMP	
25	-----	1	DIAPHRAGM, PUMP	
26	-----	1	SCREEN, INLET	
27	-----	1	VALVE, INLET NEEDLE	
28	-----	1	LEVER, METERING	
29	-----	1	GASKET, METERING DIAPHRAGM	
30	-----	1	METERING, DIAPHRAGM	
31	P003000650	1	DIAPHRAGM/GASKET KIT	INCLUDES ITEMS 32-36 ■
32	-----	1	PACKING, RING	
33	-----	1	GASKET, PUMP	
34	-----	1	DIAPHRAGM, PUMP	
35	-----	1	GASKET, METERING DIAPHRAGM	
36	-----	1	METERING, DIAPHRAGM	