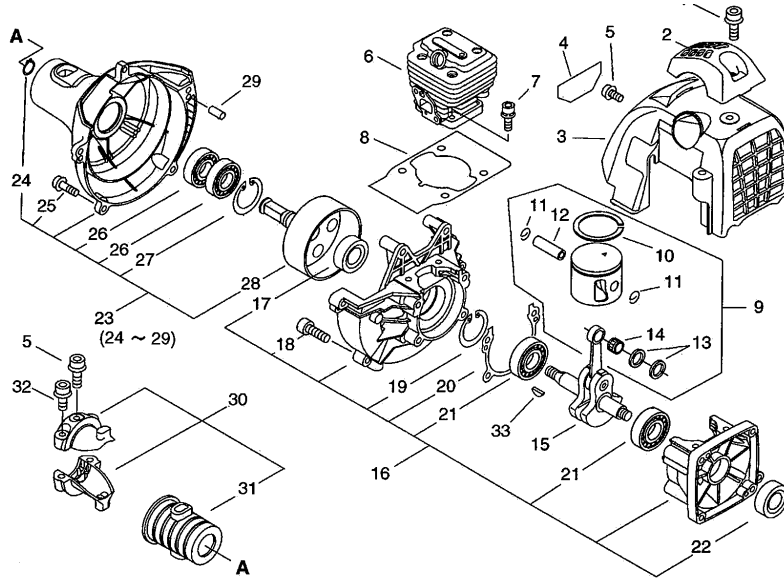


SRM-300 TES/U

PartsList Master - -

Page 1 of 2

Cylinder, Crankcase, Piston



Cylinder, Crankcase, Piston

Key	Lv	Part no.	Part description	Quantity
1		V203-000290	BOLT,5	1
2		A162-000110	GUARD, TOP	1
3		A160-000800	COVER, CYLINDER	1
4		X547-001810	LABEL, ECHO	1
5		91121-05010	BOLT, FLANGE	2
6		A130-000800	CYLINDER	1
7		91128-05025	BOLT HSH	4
8		V100-000201	GASKET, CYL	1
9		P021-010730	PISTON KIT	1
10	+	A101-000170	RING, PISTON	1
11	+	100015-03931	CIRCLIP, PISTON PIN	2
12	+	100013-35430	PIN, PISTON	1
13	+	V306-000200	WASHER, CIRCULAR 8	2
14	+	100012-16131	BEARING, NEEDLE	1
15		A011-000471	CRANKSHAFT, ASY	1
16		P021-010741	CRANKCASE KIT	1
17	+	100212-03930	OILSEAL	1
18	+	91128-05028	BOLT HSH	4
19	+	900702-00032	CIRCLIP 32	1

SRM-300 TES/U

PartsList Master - -

Page 2 of 2

20	+	V102-00030	GASKET,CRANKCASE	1
21	+	94035-36201	BEARING BALL	2
22	+	V505-00020	SEAL,OIL 12	1
23		P021-014330	COVER ASY, FAN	1
24	+	900701-00012	CIRCLIP 12	1
25	+	91121-05020	BOLT, FLANGE	4
26	+	900807-06001	BEARING, BALL 6001	2
27	+	900702-00028	CIRCLIP 28	1
28	+	A556-000430	DRUM, CLUTCH	1
29	+	100215-03930	PIN, DOWEL	2
30		P021-013900	FIXTURE,MAIN PIPE	1
31	+	V420-001400	CUSHION	1
32		91121-05025	BOLT, FLANGE	2
33		100142-12330	KEY, WOODRUFF	1

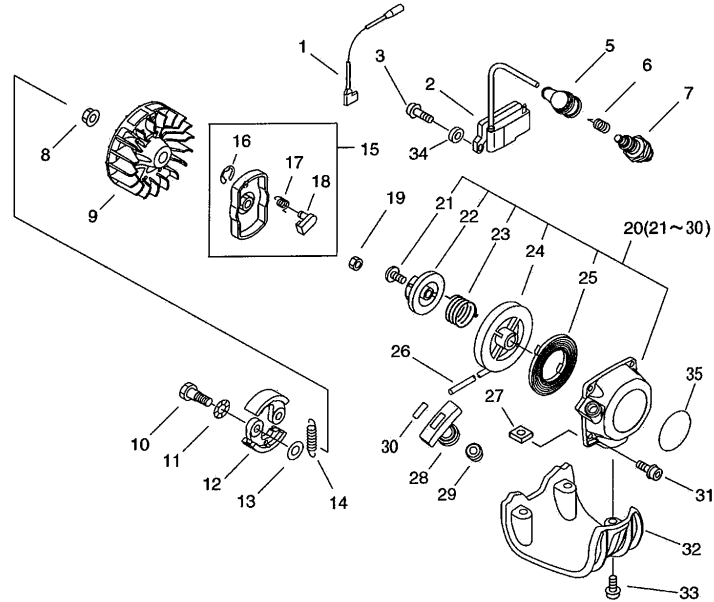


SRM-300 TES/U

PartsList Master --

Page 1 of 2

Starter, Magneto, Clutch



Starter, Magneto, Clutch

Key	Lv	Part no.	Part description	Quantity
1		V485-000810	LEAD	1
2		A411-000312	COIL, IGNITION	1
3		900162-05020	BOLT, H.S. 5*20	2
5		159012-03433	CAP, SPARK PLUG	1
6		159011-03432	COIL, SPARK PLUG	1
7		A425-000000	SPARKPLUG	1
8		900515-00008	NUT, FLANGE 8	1
9		A409-000290	ROTOR, MAGNETO	1
10		175046-56030	SHAFT, CLUTCH	2
11		175049-56030	WASHER	2
12		A553-000050	ARM, CLUTCH	2
13		175048-05530	WASHER (I)	2
14		A566-000020	SPRING, CLUTCH	1
15		A052-000180	PULLEY,ASM STARTER	1
16	+	P022-002100	E-RING	2
17	+	P022-006510	SPRING, RETURN	2
18	+	P022-006850	PAWL, STARTER	2
19		900502-00008	NUT 8 (3N)	1
20		A051-001211	STARTER,RECOIL ASY	1

SRM-300 TES/U

21	+	177236-61830	SCREW	1
22	+	P022-008280	PLATE, CAM	1
23	+	P022-008270	SPRING,DAMPER	1
24	+	A506-000080	REEL,ROPE	1
25	+	177220-40630	SPRING, REWIND	1
26	+	P022-022110	ROPE, STARTER	1
27	+	P022-022010	NUT	1
28	+	177228-27030	GRIP, STARTER	1
29	+	177227-42030	GUIDE, ROPE	1
30	+	177246-11120	CLIP, STARTER ROPE	1
31		V203-000280	BOLT,5	4
32		A175-000040	STAND	2
33		91121-05020	BOLT, FLANGE	3
34		V323-000070	WASHER,CIRCULAR 5	2
35		X502-000330	LABEL,ECHO	1

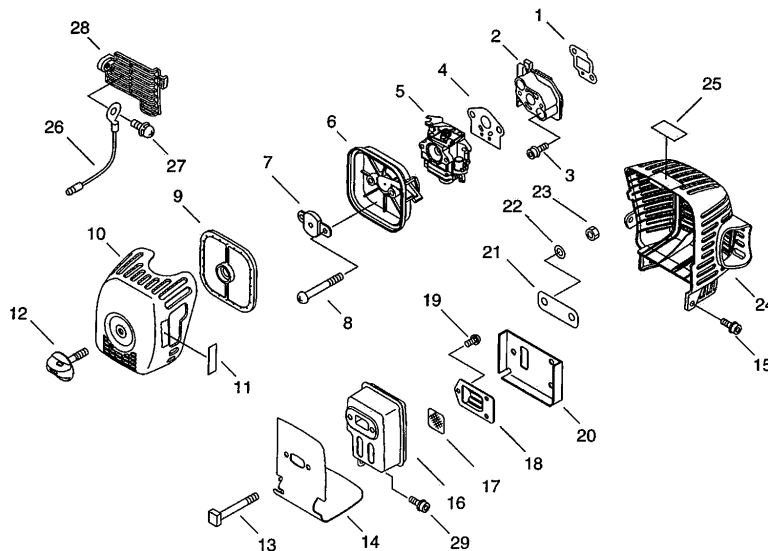


SRM-300 TES/U

PartsList Master - -

Page 1 of 2

Air Cleaner, Carburettor, Muffler



Air Cleaner, Carburettor, Muffler

Key	Lv	Part no.	Part description	Quantity
1		V103-000380	GASKET,INTAKE	1
2		A200-000270	INSULATOR, INTAKE	1
3		900106-05030	BOLT, H.S.H. 5*30	2
4		V103-000160	GASKET,INTAKE	1
5		A021-001340	CARBURETOR,DIAPHRAGM	1
6		P021-010760	CASE,CLEANER ASY	1
7		A244-000070	PLATE,PREVENT	1
8		900242-05060	SCREW 5*60	2
9		A226-000471	ELEMENT, AIR FILTER	1
10		A232-000360	LID,CLEANER	1
11		890332-52730	LABEL, CHOKE	1
12		V299-000250	KNOB,FASTENER	1
13		V203-000120	BOLT,5	2
14		V104-000810	GASKET,EXHAUST	1
15		V203-000280	BOLT,5	1
16		A300-000640	MUFFLER, EXHAUST	1
17		145862-40630	SCREEN, MUFFLER	1
18		A313-000860	GUIDE, EXHAUST	1
19		91367-04010	SCREW	3

SRM-300 TES/U

20	V104-000790	GASKET,EXHAUST	1
21	V150-001760	PLATE,EYE	1
22	92280-05000	WASHER, NORD-LOCK	2
23	900500-00005	NUT 5	2
24	A320-000400	COVER,MUFFLER	1
25	X505-002310	LABEL,CAUTION	1
26	162014-27230	LEAD, GROUND	1
27	900242-05010	SCREW 5*10	1
28	A127-000150	COVER,DUST	1
29	900106-05016	BOLT, H.S. 5*16	1

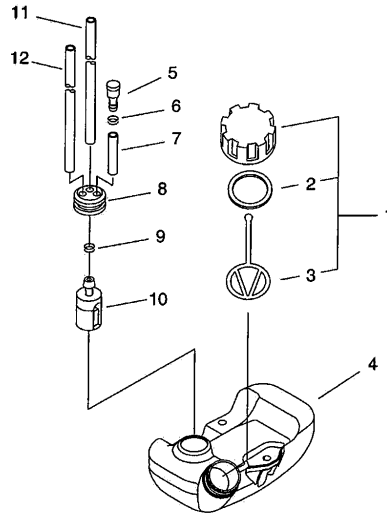


SRM-300 TES/U

PartsList Master - -

Page 1 of 2

Fuel Tank



SRM-300 TES/U

Fuel Tank

Key	Lv	Part no.	Part description	Quantity
1		P021-012210	CAP,FUEL ASY	1
2	+	131016-55830	GASKET, FUEL CAP	1
3	+	A365-000060	CONNECTOR,CAP	1
4		A350-000500	TANK, FUEL	1
5		A356-000030	VALVE,CHECK	1
6		132013-26630	CLIP	1
7		V471-000110	PIPE	1
8		132115-55930	GROMMET, FUEL	1
9		132013-09820	CLIP	1
10		131205-19831	STRAINER, FUEL	1
11		V470-000580	PIPE	1
12		132012-56030	PIPE	1

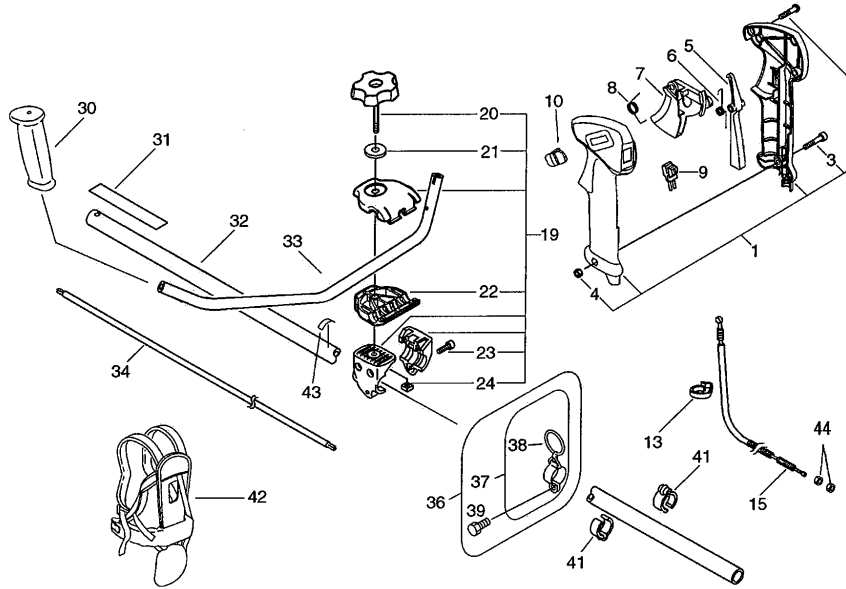


SRM-300 TES/U

PartsList Master - -

Page 1 of 2

U-Handle



U-Handle

Key	Lv	Part no.	Part description	Quantity
1		P021-014090	GRIP ASY,F-HANDLE	1
2	+	900256-04016	SCREW 4*16	3
3	+	91119-05030	BOLT	1
4	+	900500-00005	NUT 5	1
5		C460-000111	LOCKOUT, THROTTLE	1
6		V452-000350	SPRING,TORSION	1
7		C450-000270	CONTROL, THROTTLE	1
8		V452-000360	SPRING,TORSION	1
9		A440-001070	SWITCH, ON OFF	1
10		C463-000020	KNOB, LATCH	1
13		159112-09961	CLIP	1
15		V430-002080	CABLE,BOWDEN	1
19		P021-012821	FIXTURE,ASY HANDLE	1
20	+	V299-000110	KNOB,FASTENER	1
21	+	605014-54230	WASHER	1
22	+	C423-000042	FIXTURE,HANDLE	1
23	+	91118-05030	BOLT	3
24	+	900565-50008	NUT	1
30		C403-000031	GRIP,HANDLE	1

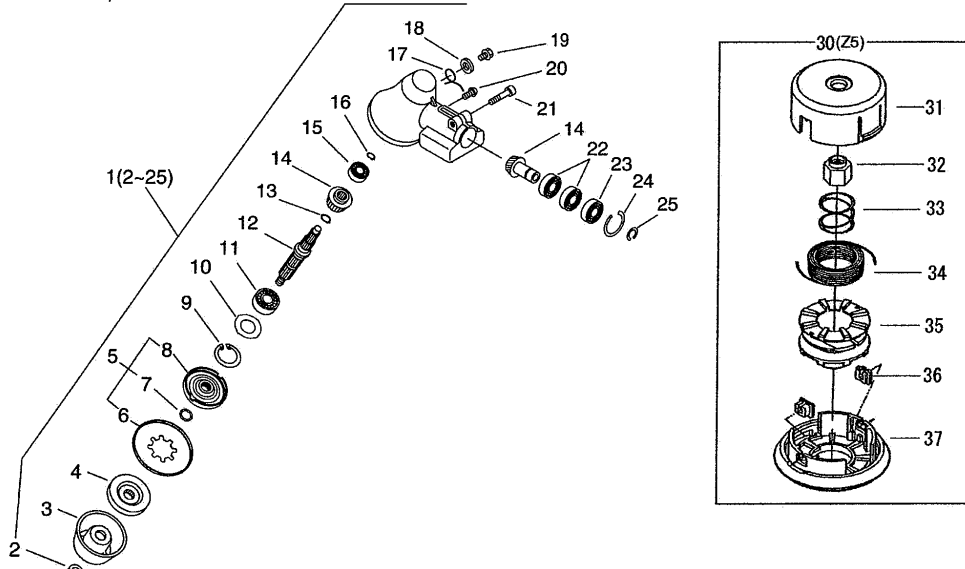
SRM-300 TES/U

31		890617-43130	LABEL, CAUTION	1
32		C050-000870	PIPE, MAIN	1
33		C400-000211	HANDLE, FRONT	1
34		C504-000050	SHAFT, DRIVE	1
36		P021-013580	RING, HARNESS KIT	1
37	+	301205-21330	HOOK	1
38	++	301015-05330	HOOK, BAND	1
39	+	91121-05012	BOLT, FLANGE	1
41		224924-52130	CLIP	2
42		C062-000192	HARNESS, SHOULDER	1
43		890152-04930	LABEL, CAUTION	1
44		900502-00006	NUT 6 (3N)	2



SRM-300 TES/U

Gear Case, Cutter



Gear Case, Cutter

Key	Lv	Part no.	Part description	Quantity
1		P021-035820	HOUSING ASY,GEAR	1
2	+	610320-52130	NUT 10	1
3	+	699229-56830	PLATE, COVER	1
4	+	610314-52130	PLATE, ADAPTER (L)	1
5	+	C535-000920	FIXTURE, BLADE	1
6	++	610352-56830	PLATE, CUP	1
7	++	900720-00012	O-RING 12	1
8	++	C535-000930	FIXTURE, BLADE	1
9	+	900702-00042	CIRCLIP 42	1
10	+	V313-000090	WASHER,CIRCULAR 20	1
11	+	900812-06302	BEARING, BALL	1
12	+	C534-000850	SHAFT, GEAR	1
13	+	900706-00012	CIRCLIP 12	1
14	+	V000-000110	GEAR SET, BEVEL	1
15	+	900810-00629	BEARING, BALL 629	1
16	+	900701-00009	CIRCLIP 9	1
17	+	610473-52131	SPRING	1
18	+	900603-50008	WASHER	1
19	+	610434-50031	BOLT 8* 8	1
20	+	900242-05010	SCREW 5*10	1
21	+	91118-06025	BOLT	1
22	+	900855-06900	BEARING, BALL 6900	2
23	+	900858-06900	BEARING, BALL 6900Z	1

SRM-300 TES/U

PartsList Master - -

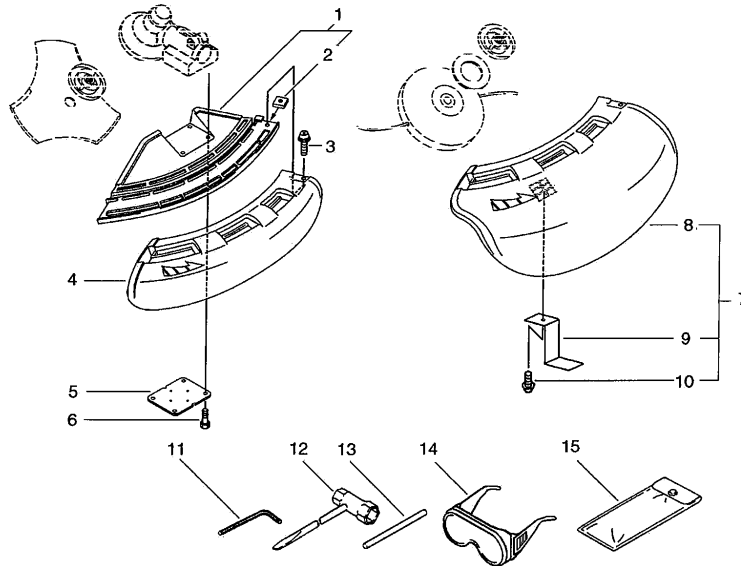
Page 2 of 2

24	+	900702-00022	CIRCLIP 22	1
25	+	900706-00010	CIRCLIP 10	1
30		X047-000321	CUTTER,ASM LINE	1
31	+	P022-010420	HOUSING	1
32	+	P022-023180	NUT	1
33	+	P022-010370	SPRING	1
34	+	P022-010380	NYLON CODE	1
35	+	P022-010400	BOBBIN	1
36	+	P022-000710	EYELET	2
37	+	P022-010410	COVER	1



SRM-300 TES/U

Shield



SRM-300 TES/U

PartsList Master - -

Page 2 of 2

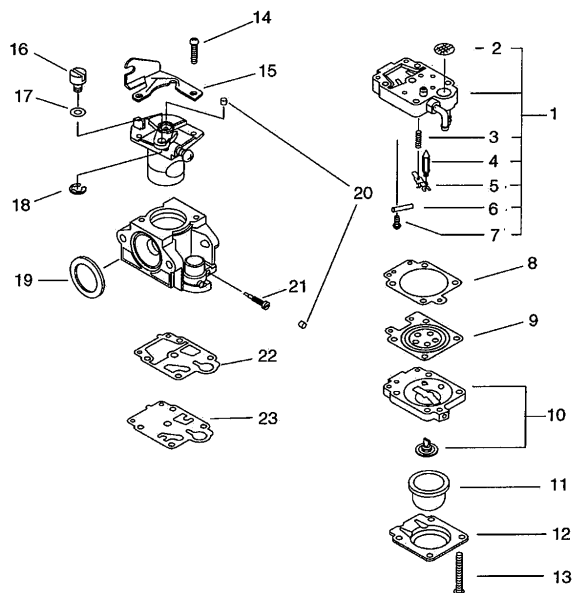
Shield

Key	Lv	Part no.	Part description	Quantity
1		C550-000100	SHIELD, BLADE	1
2	+	900565-00005	NUT	1
3		91118-05018	BOLT	1
4		C550-000090	SHIELD, BLADE	1
5		699013-56830	PLATE, SHIELD	1
6		91118-05025	BOLT	4
7		P021-013770	SHIELD KIT	1
8	+	C550-000080	SHIELD, BLADE	1
9	+	C554-000030	KNIFE, CORD	1
10	+	900252-05012	SCREW 5*12	1
11		895610-00130	L-WRENCH (4MM)	1
12		X602-000020	TOOL, WRENCH	1
13		X606-000080	TOOL, BAR	1
14		X690-000050	GOGGLE	1
15		898510-39130	BAG, TOOL	1



SRM-300 TES/U

Carburettor



Carburettor

Key	Lv	Part no.	Part description	Quantity
		A021-001340	CARBURETOR,DIAPHRAGM	1
1	+	P003-000440	BODY ASY, PUMP	1
2	++	123126-10631	SCREEN, INLET	1
3	++	P003-000450	SPRING, METER. LEVER	1
4	++	123137-19830	VALVE, INLET NEEDLE	1
5	++	123123-03930	LEVER, METERING	1
6	++	123138-03930	PIN, METERING LEVER	1
7	++	123139-05560	SCREW, M. LEVER PIN	1
8	+	123140-05560	GASKET, M. DIAPHRAGM	1
9	+	P003-001850	DIAPHRAGM, METERING	1
10	+	123180-05560	BODY, AIR PURGE	1
11	+	123181-40630	PUMP, PRIMER	1
12	+	123142-05560	COVER, PRIMER PUMP	1
13	+	123110-05560	SCREW, PUMP COVER	4
14	+	123114-40630	SCREW	2
15	+	P003-000180	BRACKET CABLE	1
16	+	123172-45130	SWIVEL	1
17	+	123149-54230	WASHER	1
18	+	123173-07930	CLIP	1

SRM-300 TES/U

19	+	123143-12110	RING, PACKING	1
20	+	A259-000000	CAP,LIMITER	2
21	+	P003-001130	NEEDLE, HIGH SPEED	1
22	+	P003-000100	GASKET, PUMP	1
23	+	123112-40630	DIAPHRAGM, PUMP	1

