



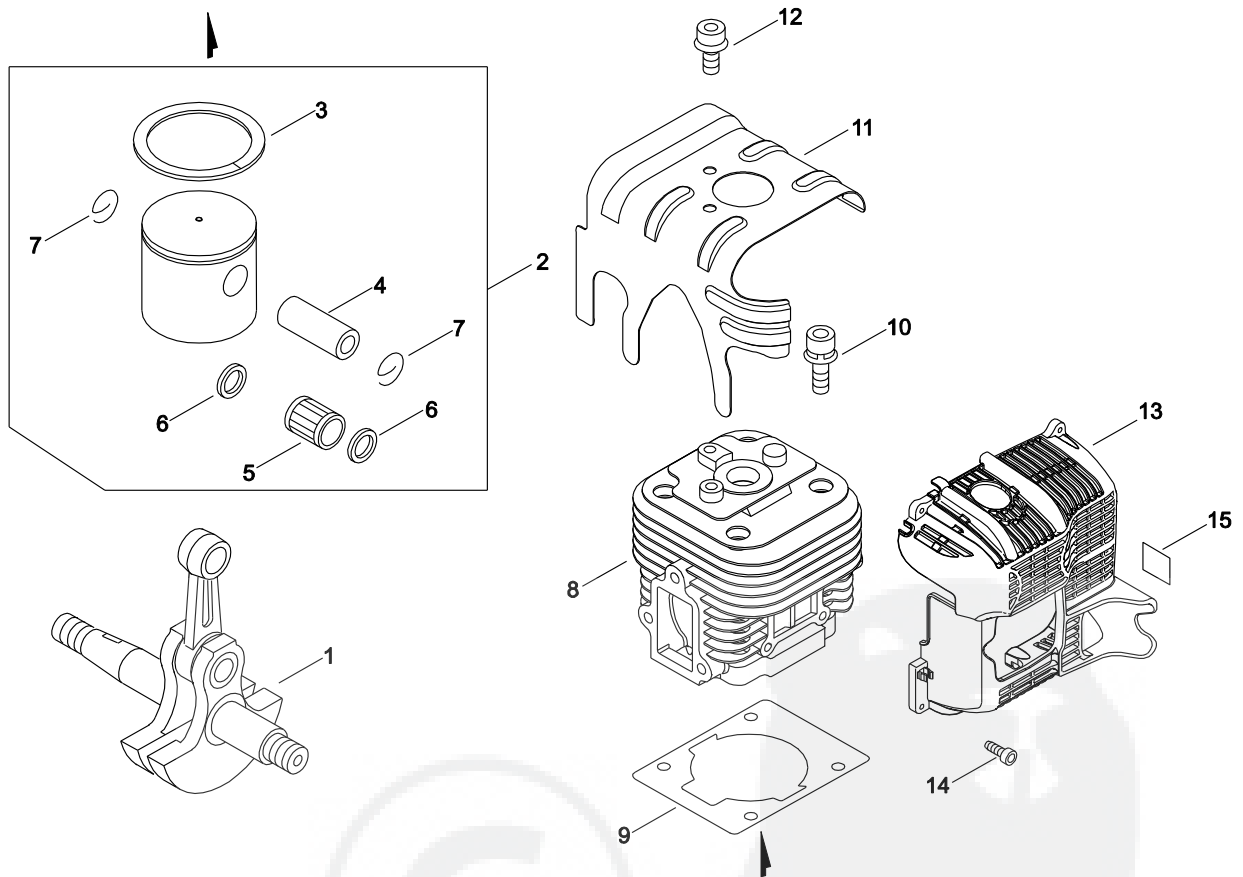
PARTS CATALOG
BACKPACK BLOWER
PB-500(37)

37011001 -



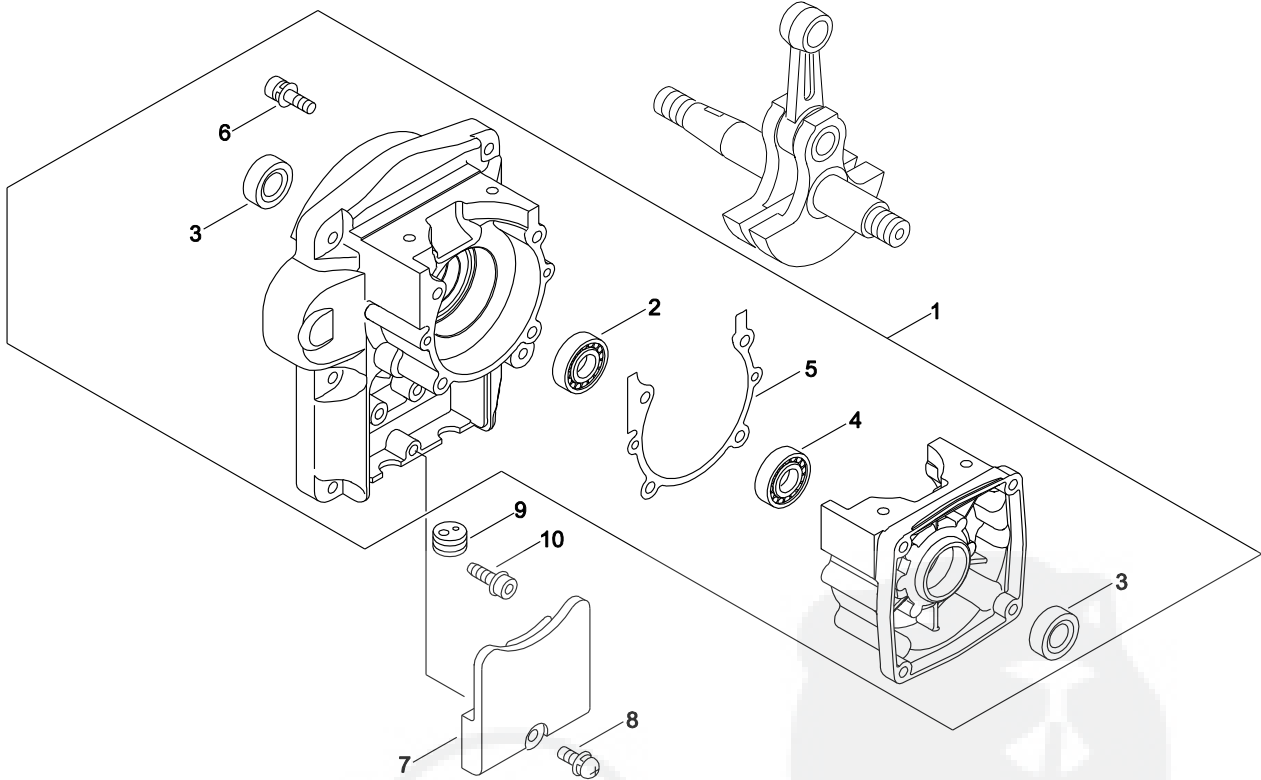
P014-000173-14B

1. CYLINDER, PISTON, CRANKSHAFT



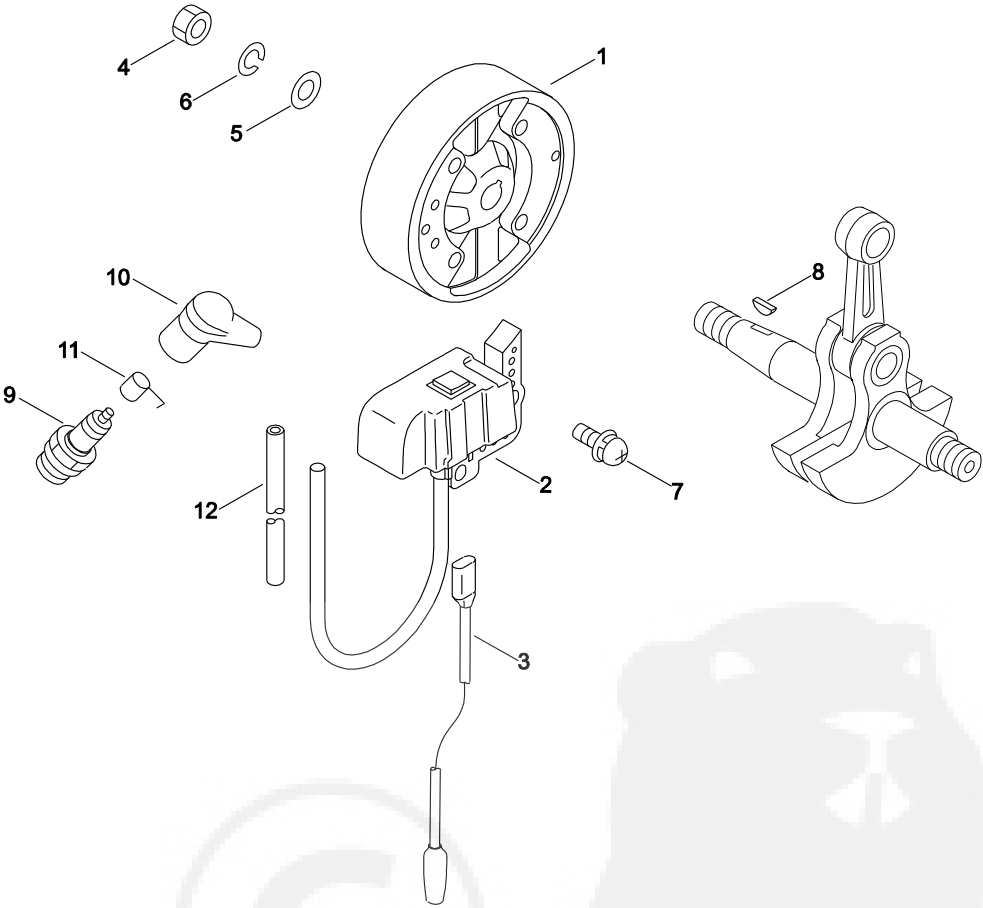
KEY	LV	PART NUMBER	Q'TY	DESCRIPTION	REMARKS	NOTE1	NOTE2
1		A011-000530	1	CRANKSHAFT,ASY			
2		P021-045170	1	PISTON KIT			
3	+	A101-000660	2	RING, PISTON	43*1.5*1.8		
4	+	100013-39730	1	PIN, PISTON			
5	+	V555-000010	1	BEARING, NEEDLE 10			
6	+	100014-17330	2	SPACER, PISTON PIN			
7	+	V580-000010	2	RING, END	10		
8		A130-002170	1	CYLINDER			
9		V100-000260	1	GASKET, CYL	T0.3		
10		900162-05022	4	BOLT, H.S. 5*22	5*22 W, SW		
11		A160-001041	1	COVER, CYLINDER			
12		900106-05008	2	BOLT, H.S. 5*8	5*8		
13		A190-000721	1	COVER, ENGINE			
14		91145-05020	5	BOLT HS TAPPING	5*20		
15		X505-002310	1	LABEL, CAUTION	HOT CAUTION		

2. CRANKCASE



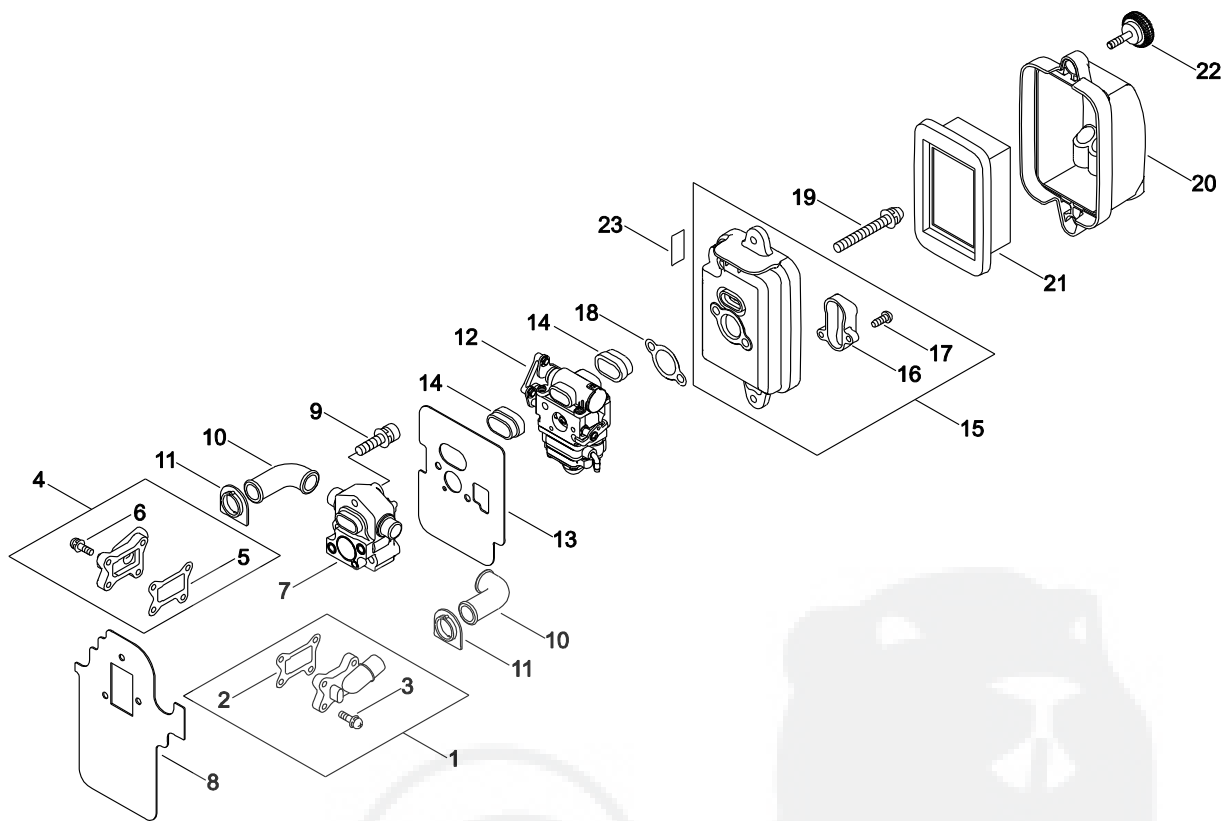
KEY	LV	PART NUMBER	QTY	DESCRIPTION	REMARKS	NOTE1	NOTE2
1		P021-014982	1	SET,CRANKCASE			
2	+	94000-36302	1	BALL BEARING 6302 C3			
3	+	100213-00310	2	OILSEAL	ISCD 15 25 7		
4	+	900810-36202	1	BEARING, BALL 6202	6202/C3		
5	+	V102-000050	1	GASKET,CRANKCASE	T0.3		
6	+	900162-05040	4	BOLT, H.S. 5*40	5*40 W,SW		
7		159129-08261	1	COVER, DUST			
8		900238-05018	1	SCREW 5*18	5*18		
9		151112-04630	1	BUSHING			
10		900162-05032	6	BOLT, H.S. 5*32	5*32 W,SW		

3. MAGNETO



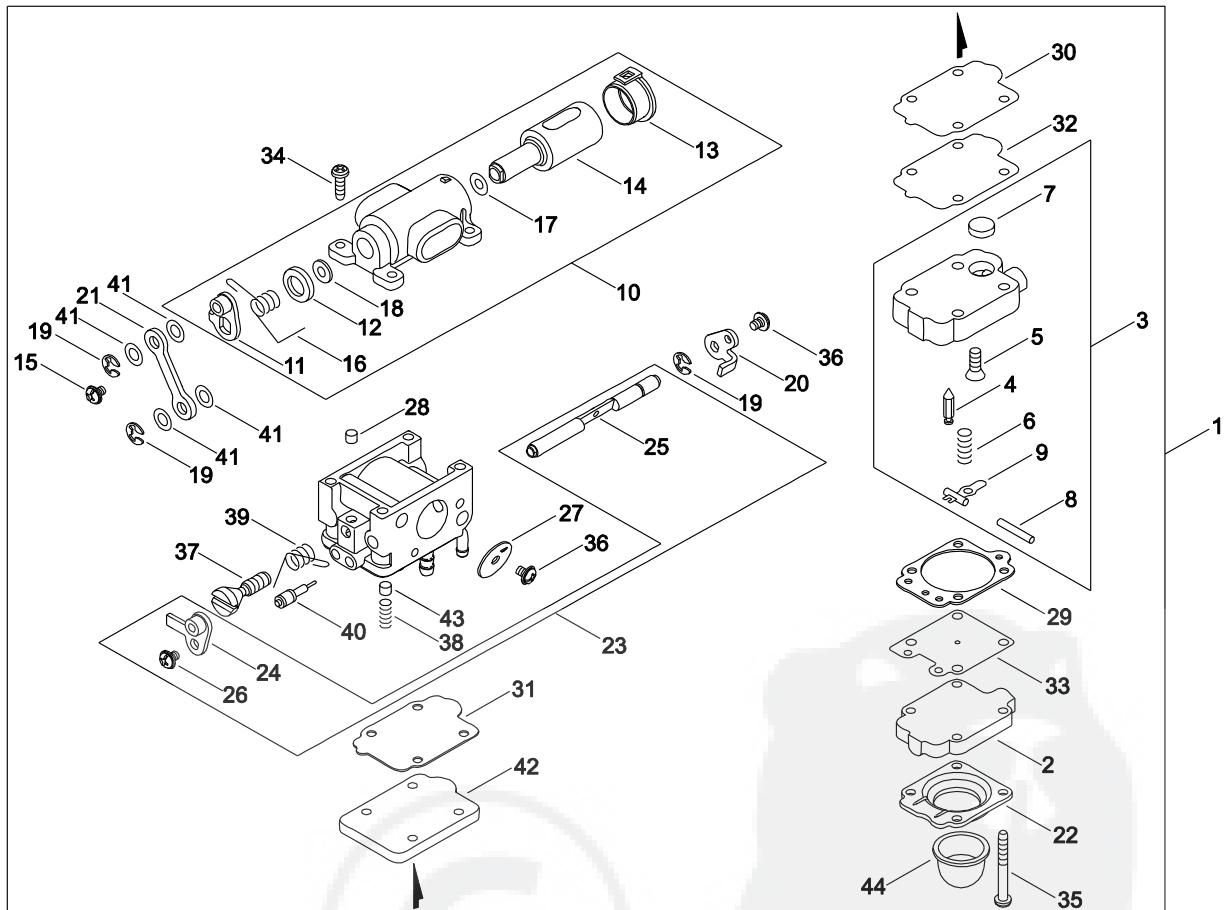
KEY	LV	PART NUMBER	Q'TY	DESCRIPTION	REMARKS	NOTE1	NOTE2
1		A409-001270	1	ROTOR, MAGNETO	ID#R10025		
2		A411-001460	1	COIL, IGNITION	ID#C10045		
3		V485-000190	1	LEAD			
4		900501-00010	1	NUT 10*1.25	10*P1.25		
5		900602-00010	1	WASHER 10(10.5*21*2)	10.5*21*2		
6		900605-00010	1	WASHER, SPRING 10	10		
7		900238-05018	2	SCREW 5*18	5*18		
8		900323-03014	1	KEY WOODRUFF	3*14		
9		A425-000000	1	SPARKPLUG	BPMR8Y		
10		159012-03433	1	CAP, SPARK PLUG			
11		159011-03432	1	COIL, SPARK PLUG			
12		156111-06160	1	TUBE 6.3*8*380	6.3*8*380		

4. AIR CLEANER, CARBURETOR



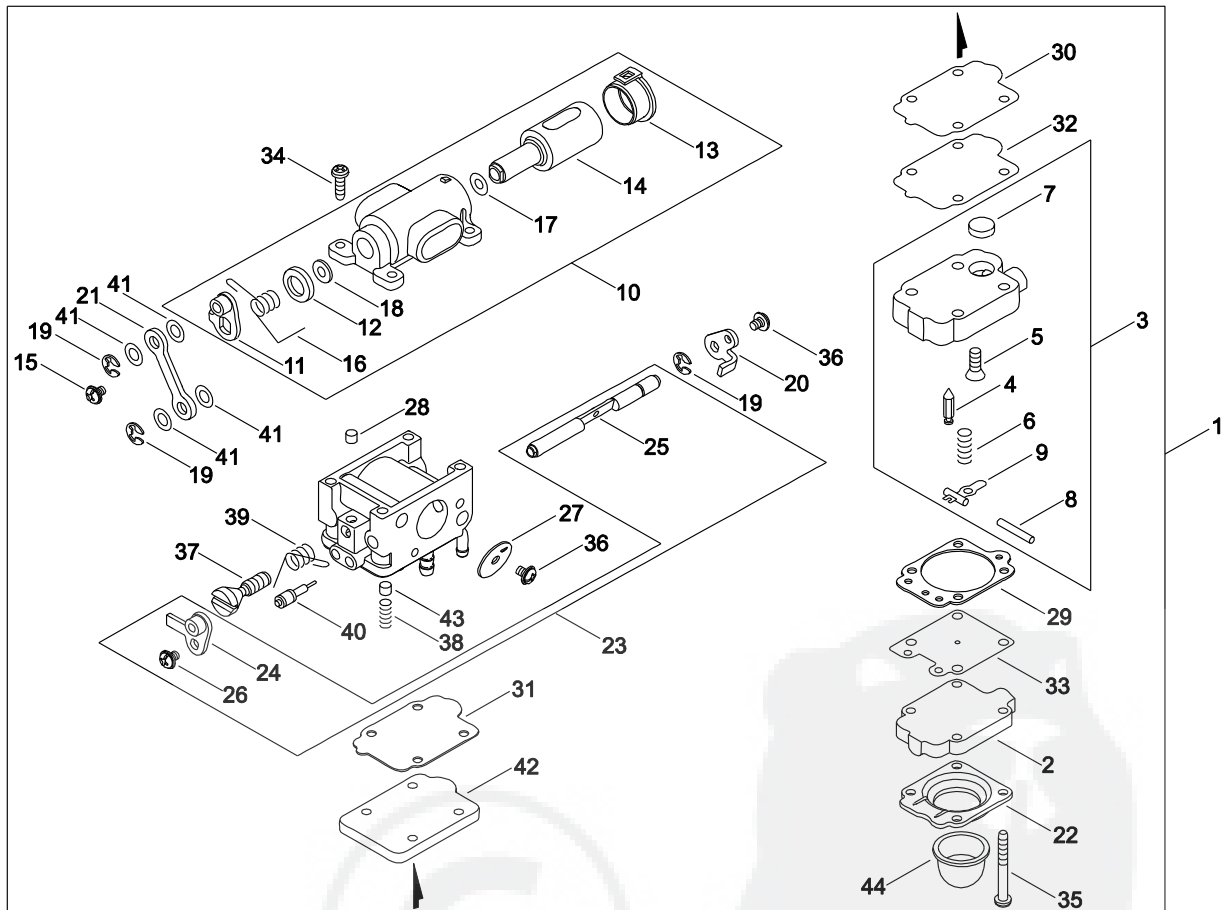
KEY	LV	PART NUMBER	Q'TY	DESCRIPTION	REMARKS	NOTE1	NOTE2
1		P021-016131	1	FIXTURE, VALVE KIT M			
2	+	V103-000440	1	GASKET, INTAKE	T0.5		
3	+	V202-000140	4	BOLT, 4	4*14		
4		P021-016141	1	FIXTURE, VALVE KIT R			
5	+	V103-000440	1	GASKET, INTAKE	T0.5		
6	+	V202-000140	4	BOLT, 4	4*14		
7		P021-014991	1	INSULATOR VALVE			
8		V103-000450	1	GASKET, INTAKE	T1.0		
9		V203-000310	3	BOLT, 5	5*35		
10		G213-000090	2	HOSE, AIR	10.5		
11		V140-000020	2	GROMMET, HOSE			
12		A021-001642	1	CARBURETOR, DIAPHRAGM	WLA-1		
13		V103-000461	1	GASKET, INTAKE	T:0.8		
14		C483-000032	2	BOOT, CONNECTOR			
15		P021-015001	1	CASE, AIR CLEANER			
16	+	A221-000020	1	FIXTURE, CLEANER			
17	+	900246-04014	2	SCREW 4*14	4*14		
18		V103-000471	1	GASKET, INTAKE	T0.5		
19		900162-05065	2	BOLT, H.S. 5*65	5*65 W, SW		
20		A232-000462	1	LID, CLEANER			
21		A226-000032	1	ELEMENT, AIR FILTER			
22		V299-000290	2	KNOB, FASTENER	1 KNOB M5X0.8		
23		890332-52730	1	LABEL, CHOKE			

5. CARBURETOR



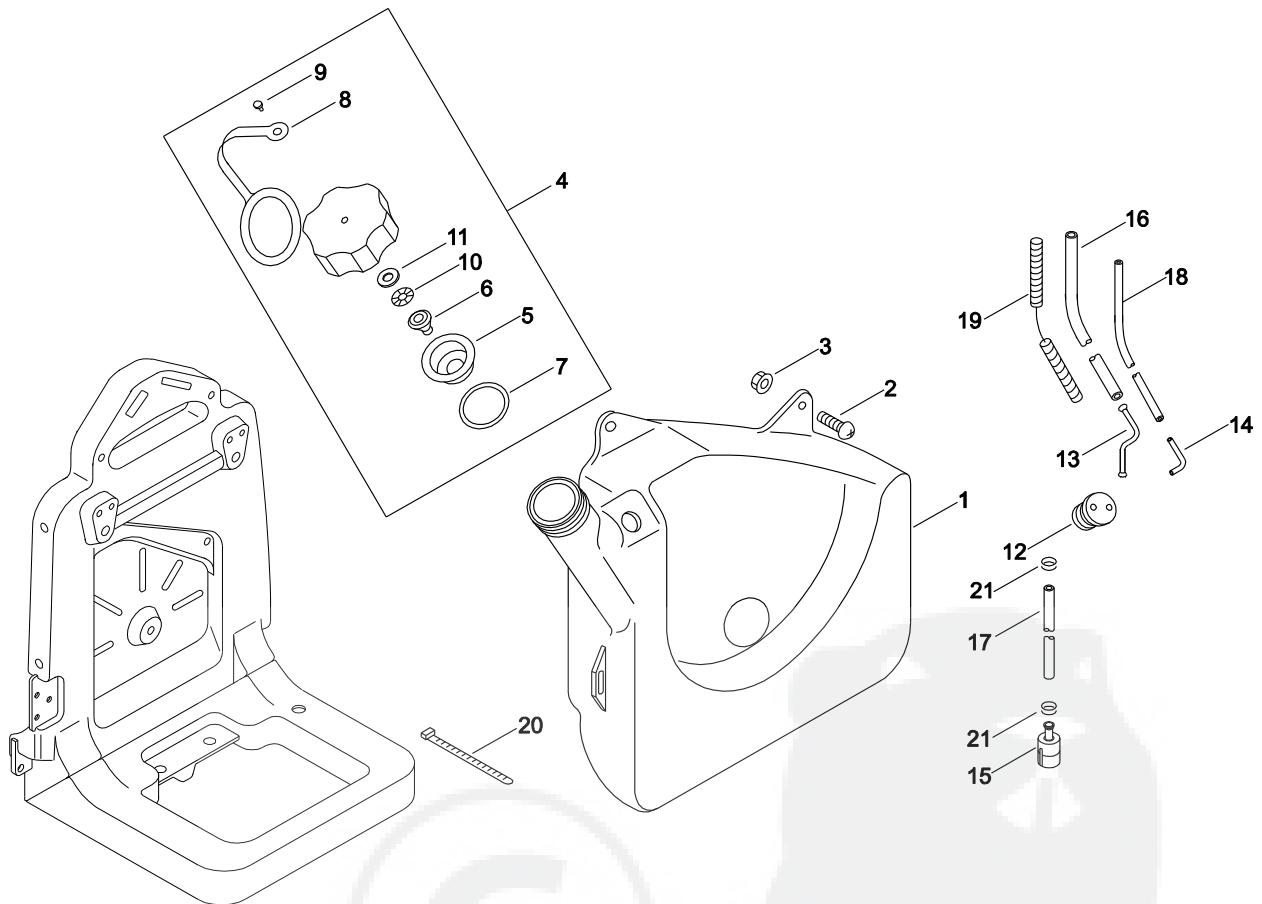
KEY	LV	PART NUMBER	Q'TY	DESCRIPTION	REMARKS	NOTE1	NOTE2
1		A021-001642	1	CARBURETOR,DIAPHRAGM	WLA-1		
2	+	123180-05560	1	BODY, AIR PURGE			
3	+	P003-005010	1	BODY ASSEMBLY, PUMP			
4	++	123137-19830	1	VALVE, INLET NEEDLE			
5	++	123139-05560	1	SCREW, M. LEVER PIN			
6	++	123122-05560	1	SPRING, METER. LEVER			
7	++	123126-10631	1	SCREEN, INLET			
8	++	123138-03930	1	PIN, METERING LEVER			
9	++	123123-03930	1	LEVER, METERING			
10	+	P003-001970	1	AIR VALVE ASY			
11	++	P003-001990	1	LINK ASSEMBLY-AIR			
12	++	P003-002000	1	COVER DUST			
13	++	P003-002010	1	COVER AIR VALVE			
14	++	P003-002020	1	VALVE AIR			
15	++	P003-002030	1	SCREW			
16	++	P003-002040	1	SPRING RETURN			
17	++	P003-002050	1	WASHER			
18	++	P003-002060	1	SEAL DUST			
19	+	123127-15030	3	RING			
20	+	P003-002070	1	LEVER OUTER			
21	+	P003-002080	1	LINK ROD			
22	+	123142-05560	1	COVER, PRIMER PUMP			
23	+	P003-002170	1	SHAFT ASY THROTTLE			
24	++	P003-002090	1	LINK ASY THROTTLE			
25	++	P003-002100	1	SHAFT THROTTLE			

5. CARBURETOR



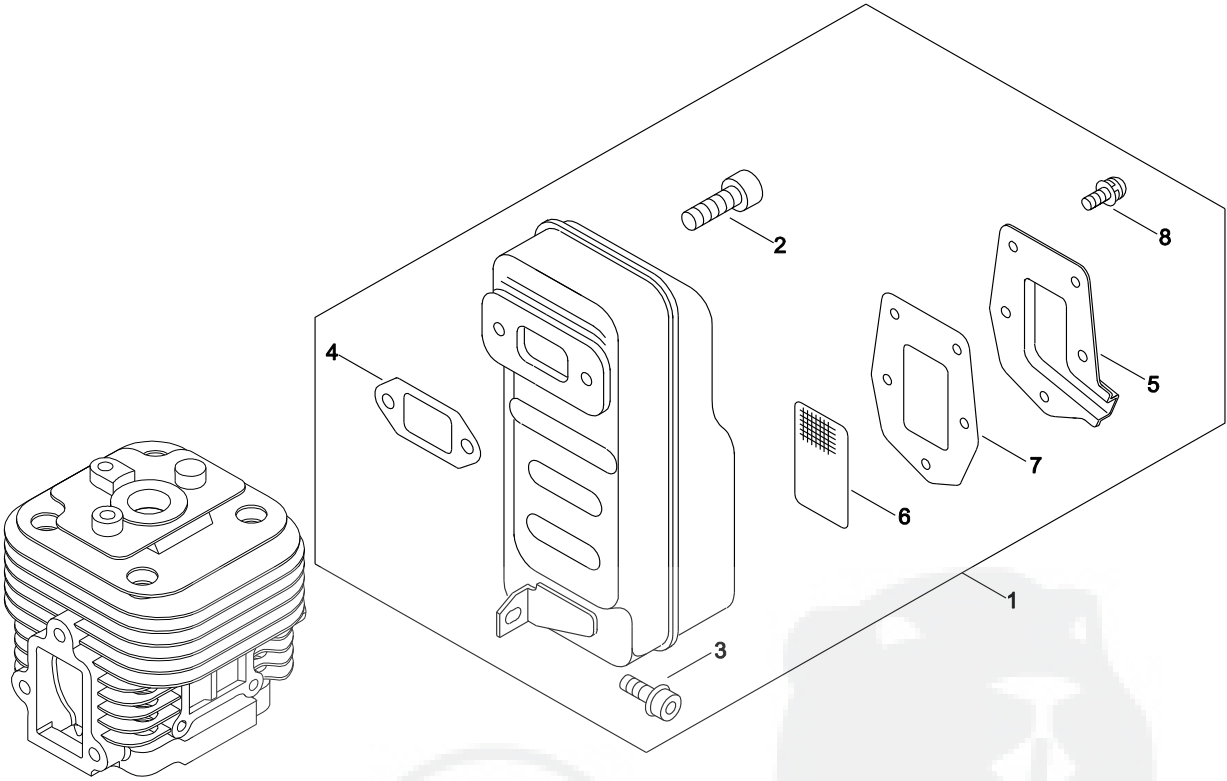
KEY	LV	PART NUMBER	QTY	DESCRIPTION	REMARKS	NOTE1	NOTE2
26	++	123114-38830	1	SCREW			
27	+	123116-05230	1	VALVE, THROTTLE			
28	+	123178-15030	1	PLUG, FRICTION			
29	+	123140-05560	1	GASKET, M. DIAPHRAGM			
30	+	P003-000100	1	GASKET, PUMP			
31	+	P003-002110	1	GASKET PASSAGE			
32	+	123112-40630	1	DIAPHRAGM, PUMP			
33	+	P003-001850	1	DIAPHRAGM, METERING			
34	+	123114-40630	4	SCREW			
35	+	P003-002120	4	SCREW			
36	+	123114-38830	2	SCREW			
37	+	P003-002130	1	SCREW IDLE SPEED			
38	+	P003-002140	1	SPRING			
39	+	P003-002150	1	SPRING			
40	+	P003-004050	2	NEEDLE			
41	+	123149-26030	4	WASHER			
42	+	P003-002160	1	PLATE PASSAGE			
43	+	123185-39130	1	PISTON ASSY			
44	+	123181-40630	1	PUMP, PRIMER			

6. FUEL TANK



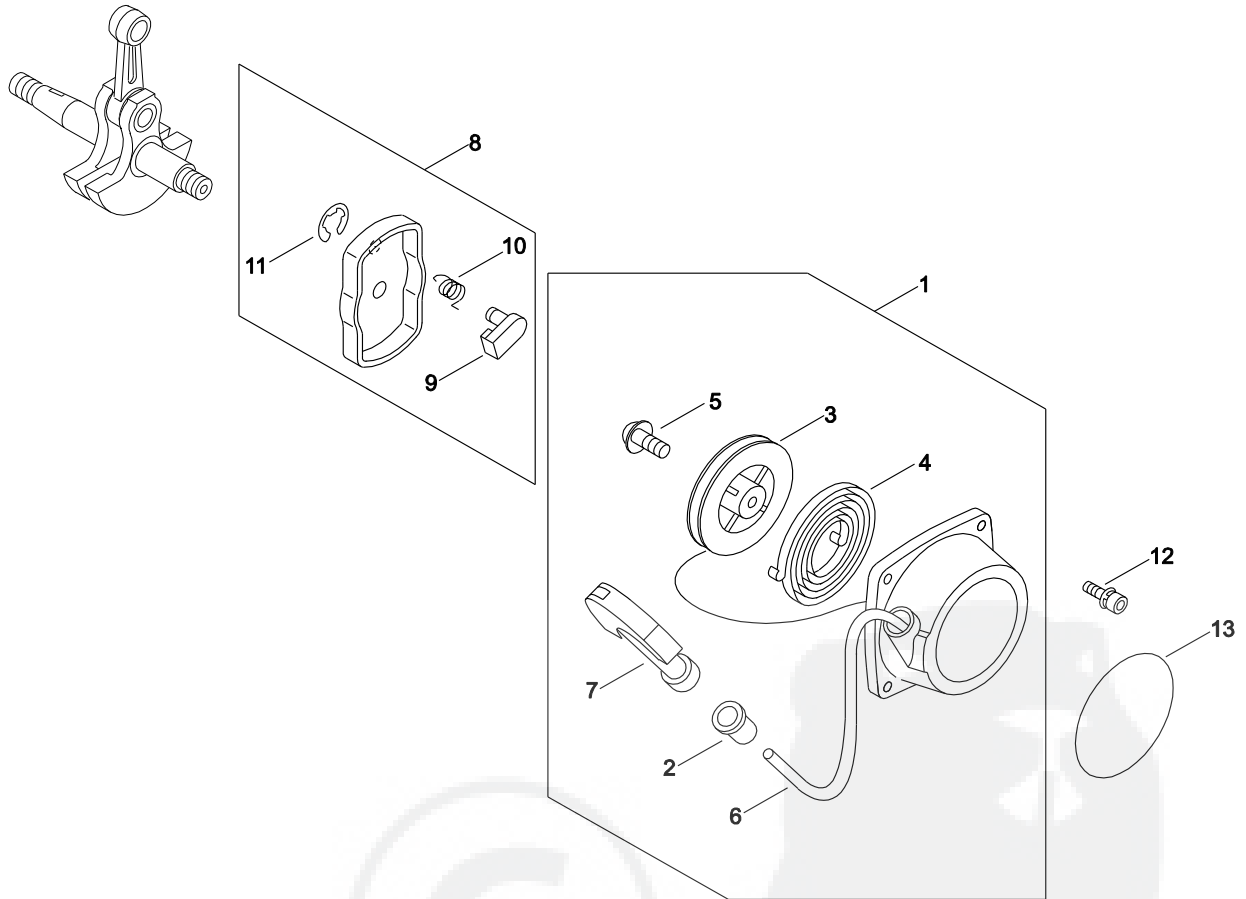
KEY	LV	PART NUMBER	QTY	DESCRIPTION	REMARKS	NOTE1	NOTE2
1		131010-08266	1	TANK, FUEL			
2		900209-05020	3	SCREW, 5*20	5*20		
3		900516-00005	3	NUT, FRANGE 5	5		
4		131600-09861	1	CAP ASY, FUEL			
5	+	A358-000000	1	HOLDER,CHECK VALVE			
6	+	131314-06320	1	VALVE, CHECK			
7	+	131016-21060	1	GASKET, FUEL CAP			
8	+	131051-27230	1	LINK			
9	+	900319-30070	1	RIVET 3*7	3*7		
10	+	131053-03060	1	NUT			
11	+	900600-00003	1	WASHER 3	3		
12		132115-02960	1	GROMMET			
13		132011-08260	1	CONNECTOR, FUEL PIPE			
14		132021-08260	1	CONNECTOR, PIPE			
15		131205-19832	1	STRAINER, FUEL			
16		V471-002150	1	PIPE	3*7*465		
17		V471-000770	1	PIPE			
18		V471-002160	1	PIPE	2.38*4.76*470		
19		V475-004110	1	TUBE	11*13.4*320		
20		178121-43230	1	BAND	CV-150 BL		
21		V490-001230	2	CLIP			

7. MUFFLER



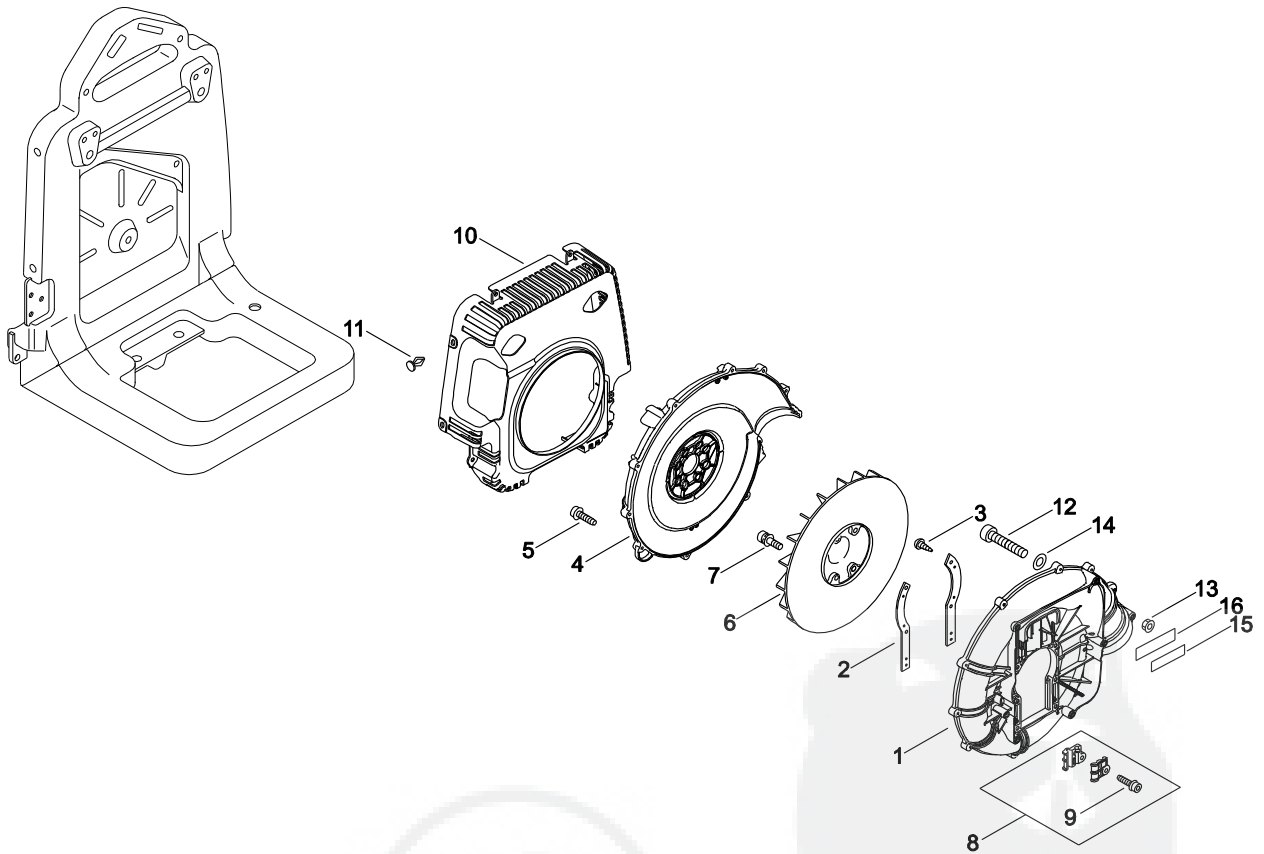
KEY	LV	PART NUMBER	Q'TY	DESCRIPTION	REMARKS	NOTE1	NOTE2
1		P021-015040	1	MUFFLER ASY			
2	+	900105-06020	2	BOLT, H.S. 6*20	6*20		
3	+	900106-05016	1	BOLT, H.S. 5*16	5*16		
4	+	V104-000900	1	GASKET, EXHAUST	T1.0		
5	+	A313-001030	1	GUIDE, EXHAUST			
6	+	145862-06720	1	SCREEN, MUFFLER			
7	+	145866-04261	1	GASKET			
8	+	900238-04010	5	SCREW 4*10	4*10		

8. RECOIL STARTER, PULLEY



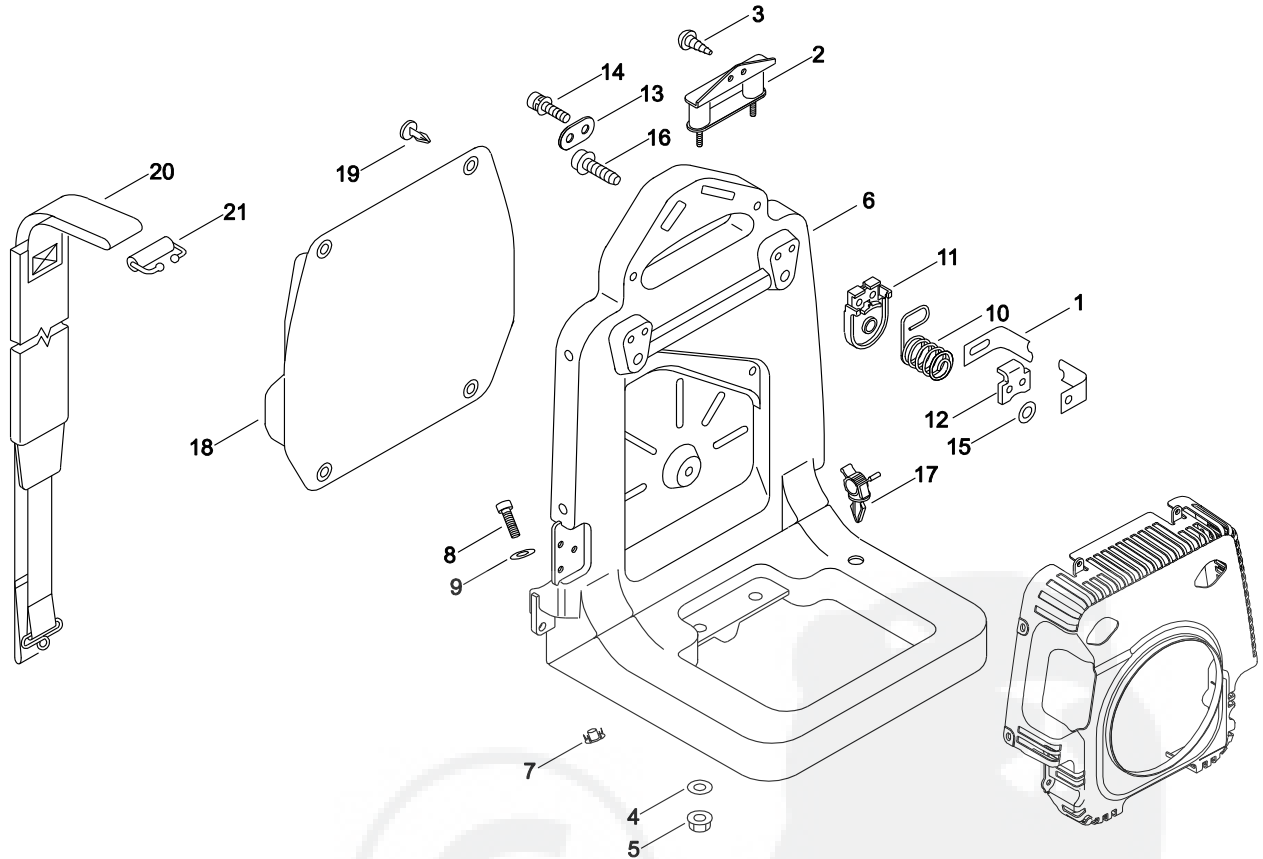
KEY	LV	PART NUMBER	Q'TY	DESCRIPTION	REMARKS	NOTE1	NOTE2
1		A051-002800	1	STARTER,RECOIL ASY			
2	+	177227-42030	1	GUIDE, ROPE			
3	+	P022-036630	1	DRUM, STARTER			
4	+	P022-036640	1	SPRING, SPIRAL			
5	+	177236-44330	1	SCREW			
6	+	P022-036650	1	ROPE			
7	+	177228-01110	1	GRIP, STARTER			
8		A052-000470	1	PULLEY,ASM STARTER	A206056A0700		
9	+	P022-036620	2	PAWL,STARTER			
10	+	177234-40630	2	SPRING, RETURN			
11	+	P022-002100	2	E-RING	4		
12		900162-05018	4	BOLT, H.S. 5*18	5*18 W,SW		
13		X502-000410	1	LABEL,ECHO			

9. FAN CASE



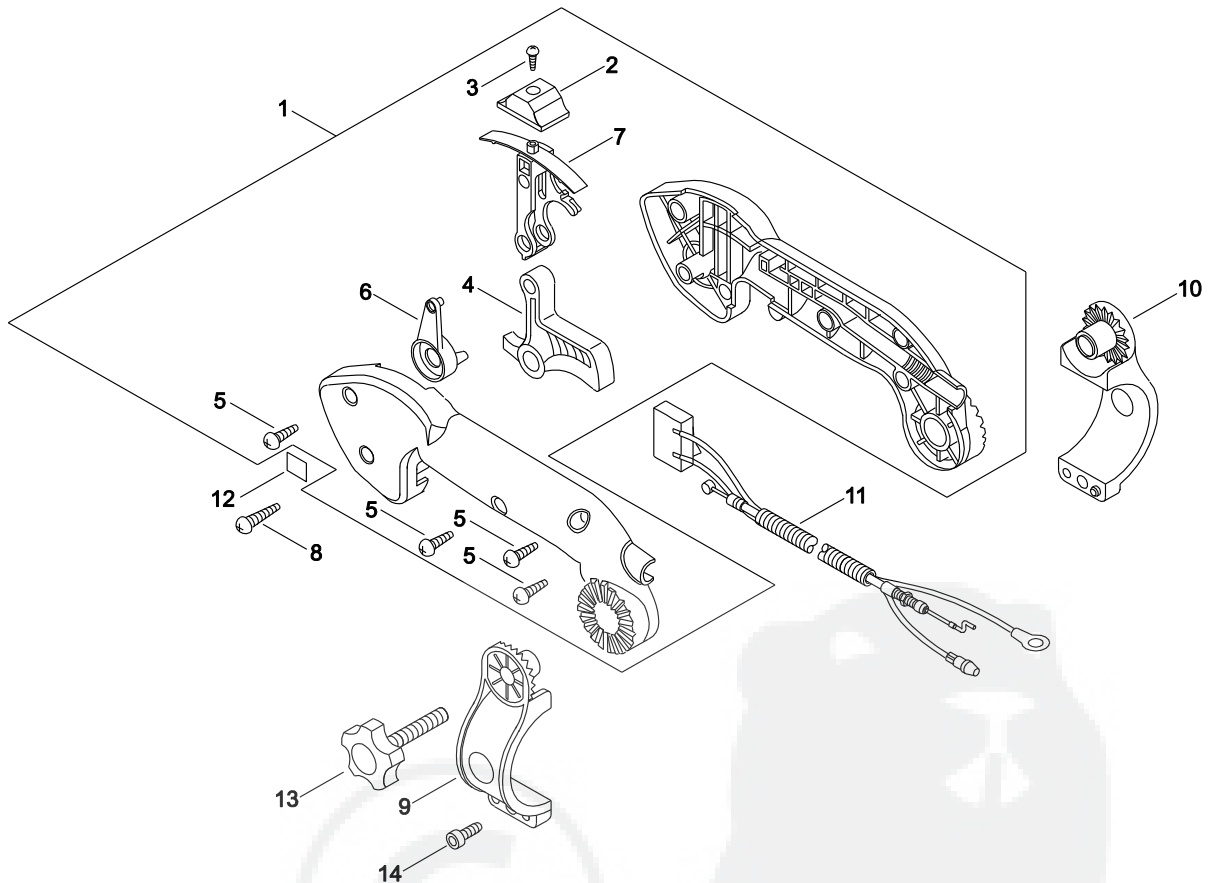
KEY	LV	PART NUMBER	Q'TY	DESCRIPTION	REMARKS	NOTE1	NOTE2
1		E103-000531	1	CASE,FAN			
2		104913-08360	2	BRACKET, ENGINE			
3		900246-03012	4	SCREW 3*12	3*12		
4		E103-000542	1	CASE,FAN			
5		91145-05025	9	BOLT, TAPPING	5*25 HS		
6		200010-09861	1	FAN			
7		900162-05020	4	BOLT, H.S. 5*20	5*20 W,SW		
8		P021-015010	1	BRACKET KIT			
9	+	91145-05025	1	BOLT, TAPPING	5*25 HS		
10		E104-000061	1	GRID,BLOWER			
11		V491-000120	8	CLIP			
12		900105-05060	2	BOLT, H.S. 5*60	5*60		
13		900516-00005	2	NUT, FRANGE 5	5		
14		900600-00005	2	WASHER 5	5		
15		X505-002080	1	LABEL,CAUTION			
16		X503-009520	1	LABEL,MODEL	PB-500 USM		

10. BACKPACK HARNESS



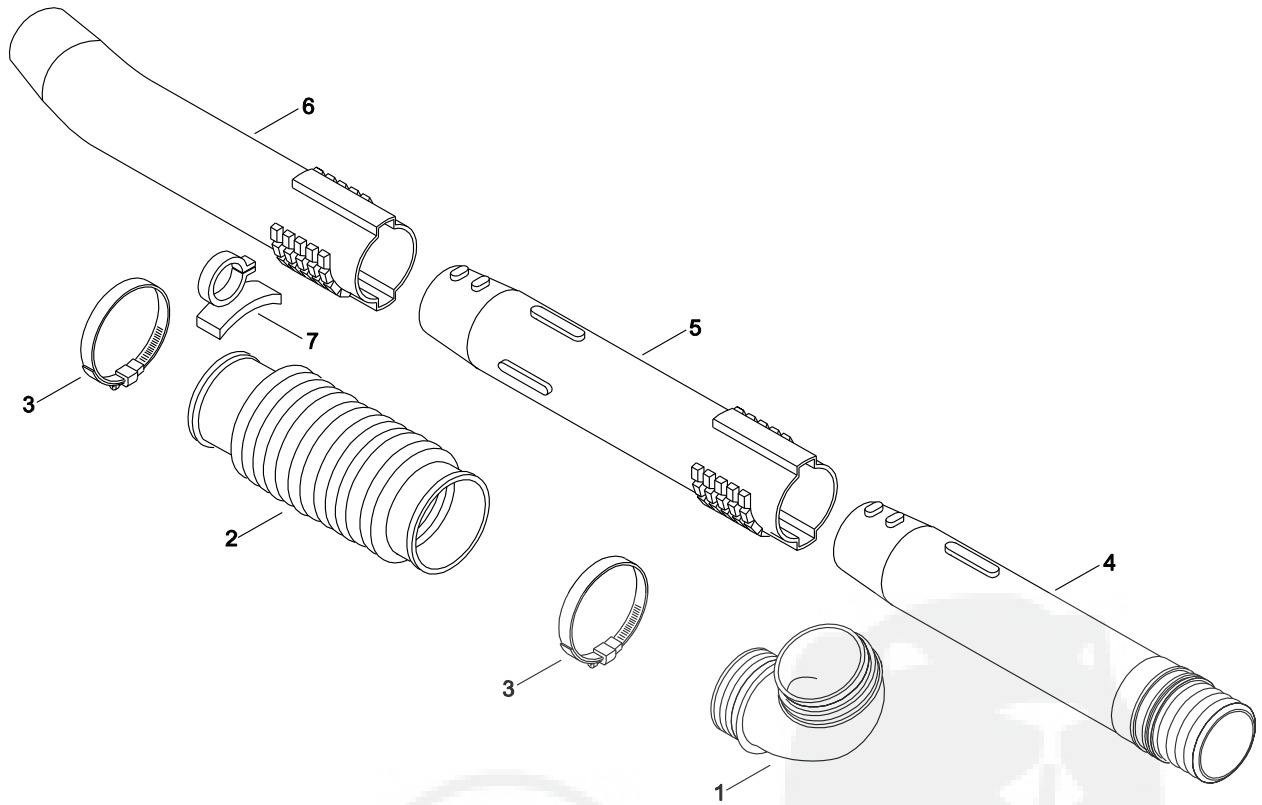
KEY	LV	PART NUMBER	Q'TY	DESCRIPTION	REMARKS	NOTE1	NOTE2
1		C617-000540	1	STOPPER			
2		V401-000110	1	CUSHION,5			
3		91145-05016	2	BOLT HS TAPPING	5*16		
4		900630-00005	2	WASHER 5	5.5*16*1T		
5		900516-00005	2	NUT, FRANGE 5	5		
6		C620-000212	1	FRAME,BACKPACK			
7		C622-000000	4	CONNECTOR,FRAME			
8		900105-06025	4	BOLT, H.S. 6*25	6*25		
9		V304-000040	4	WASHER,CIRCULAR 6	6.6*20*1.6		
10		V450-000390	2	SPRING,COMPRESSION			
11		V456-000010	2	HOLDER,SPRING			
12		V263-000050	2	NUT,5			
13		V150-001350	2	PLATE,EYE			
14		900162-05020	4	BOLT, H.S. 5*20	5*20 W,SW		
15		613019-07350	2	WASHER 5.5*16*2T	5.5*16*2T		
16		91147-05020	2	BOLT HS FL TAPP			
17		V491-000110	1	CLIP	.308/.433 CABLE		
18		300105-08261	1	CUSHION, KNAPSACK			
19		V491-000120	6	CLIP			
20		C061-000111	2	HARNESS,ASM BACKPACK	ECHO SCREEN PRNT		
21		V491-000040	2	CLIP			

11. THROTTLE



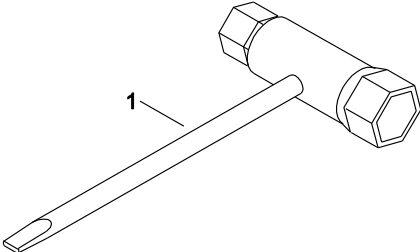
KEY	LV	PART NUMBER	Q'TY	DESCRIPTION	REMARKS	NOTE1	NOTE2
1		P021-015223	1	FRONT HANDLE ASY			
2	+	E151-000000	1	KNOB,LEVER	ACT#040504-A1		
3	+	91545-03014	1	SCREW TAPTITE-P			
4	+	178010-07561	1	CONTROL, THROTTLE			
5	+	889950-21060	4	SCREW 5			
6	+	C453-000203	1	LEVER, THROTTLE			
7	+	C453-000211	1	LEVER, THROTTLE			
8		889950-21560	1	SCREW 5			
9		C405-000230	1	BRACKET,HANDLE	LEFT SIDE		
10		C405-000240	1	BRACKET,HANDLE	RIGHT SIDE		
11		V043-000251	1	CABLE ASY, CONTROL			
12		X505-000950	1	LABEL,CAUTION			
13		305812-08260	1	KNOB, FASTENER			
14		91145-05020	1	BOLT HS TAPPING	5*20		

12. PIPE



KEY	LV	PART NUMBER	Q'TY	DESCRIPTION	REMARKS	NOTE1	NOTE2
1		210011-08260	1	ELBOW, BLOWING			
2		E164-000000	1	PIPE,FLEXIBLE			
3		V495-000430	2	BAND	58.7MM / 82.5MM		
4		E165-000130	1	PIPE,BLOWER	362MM*73/84MM		
5		E165-000141	1	PIPE,BLOWER	418MM * 73/79MM		
6		E165-000160	1	PIPE,BLOWER	418MM*65/79MM		
7		V491-000191	1	CLIP			

13. ACCESSORIES



KEY	LV	PART NUMBER	Q'TY	DESCRIPTION	REMARKS	NOTE1	NOTE2
1		895410-39132	1	WRENCH, W/S-DRIVER			

Index

Patrs Number	Key No.	Patrs Number	Key No.	Patrs Number	Key No.
100013-39730	1 - 4	305812-08260	11 - 13	A101-000660	1 - 3
100014-17330	1 - 6	613019-07350	10 - 15	A130-002170	1 - 8
100213-00310	2 - 3	889950-21060	11 - 5	A160-001041	1 - 11
104913-08360	9 - 2	889950-21560	11 - 8	A190-000721	1 - 13
123112-40630	5 - 32	890332-52730	4 - 23	A221-000020	4 - 16
123114-38830	5 - 26	895410-39132	13 - 1	A226-000032	4 - 21
123114-38830	5 - 36	900105-05060	9 - 12	A232-000462	4 - 20
123114-40630	5 - 34	900105-06020	7 - 2	A313-001030	7 - 5
123116-05230	5 - 27	900105-06025	10 - 8	A358-000000	6 - 5
123122-05560	5 - 6	900106-05008	1 - 12	A409-001270	3 - 1
123123-03930	5 - 9	900106-05016	7 - 3	A411-001460	3 - 2
123126-10631	5 - 7	900162-05018	8 - 12	A425-000000	3 - 9
123127-15030	5 - 19	900162-05020	9 - 7	C061-000111	10 - 20
123137-19830	5 - 4	900162-05020	10 - 14	C405-000230	11 - 9
123138-03930	5 - 8	900162-05022	1 - 10	C405-000240	11 - 10
123139-05560	5 - 5	900162-05032	2 - 10	C453-000203	11 - 6
123140-05560	5 - 29	900162-05040	2 - 6	C453-000211	11 - 7
123142-05560	5 - 22	900162-05065	4 - 19	C483-000032	4 - 14
123149-26030	5 - 41	900209-05020	6 - 2	C617-000540	10 - 1
123178-15030	5 - 28	900238-04010	7 - 8	C620-000212	10 - 6
123180-05560	5 - 2	900238-05018	2 - 8	C622-000000	10 - 7
123181-40630	5 - 44	900238-05018	3 - 7	E103-000531	9 - 1
123185-39130	5 - 43	900246-03012	9 - 3	E103-000542	9 - 4
131010-08266	6 - 1	900246-04014	4 - 17	E104-000061	9 - 10
131016-21060	6 - 7	900319-30070	6 - 9	E151-000000	11 - 2
131051-27230	6 - 8	900323-03014	3 - 8	E164-000000	12 - 2
131053-03060	6 - 10	900501-00010	3 - 4	E165-000130	12 - 4
131205-19832	6 - 15	900516-00005	6 - 3	E165-000141	12 - 5
131314-06320	6 - 6	900516-00005	9 - 13	E165-000160	12 - 6
131600-09861	6 - 4	900516-00005	10 - 5	G213-000090	4 - 10
132011-08260	6 - 13	900600-00003	6 - 11	P003-000100	5 - 30
132021-08260	6 - 14	900600-00005	9 - 14	P003-001850	5 - 33
132115-02960	6 - 12	900602-00010	3 - 5	P003-001970	5 - 10
145862-06720	7 - 6	900605-00010	3 - 6	P003-001990	5 - 11
145866-04261	7 - 7	900630-00005	10 - 4	P003-002000	5 - 12
151112-04630	2 - 9	900810-36202	2 - 4	P003-002010	5 - 13
156111-06160	3 - 12	91145-05016	10 - 3	P003-002020	5 - 14
159011-03432	3 - 11	91145-05020	1 - 14	P003-002030	5 - 15
159012-03433	3 - 10	91145-05020	11 - 14	P003-002040	5 - 16
159129-08261	2 - 7	91145-05025	9 - 5	P003-002050	5 - 17
177227-42030	8 - 2	91145-05025	9 - 9	P003-002060	5 - 18
177228-01110	8 - 7	91147-05020	10 - 16	P003-002070	5 - 20
177234-40630	8 - 10	91545-03014	11 - 3	P003-002080	5 - 21
177236-44330	8 - 5	94000-36302	2 - 2	P003-002090	5 - 24
178010-07561	11 - 4	A011-000530	1 - 1	P003-002100	5 - 25
178121-43230	6 - 20	A021-001642	4 - 12	P003-002110	5 - 31
200010-09861	9 - 6	A021-001642	5 - 1	P003-002120	5 - 35
210011-08260	12 - 1	A051-002800	8 - 1	P003-002130	5 - 37
300105-08261	10 - 18	A052-000470	8 - 8	P003-002140	5 - 38

Index

Patrs Number	Key No.	Patrs Number	Key No.	Patrs Number	Key No.
P003-002150	5 - 39	V491-000191	12 - 7		
P003-002160	5 - 42	V495-000430	12 - 3		
P003-002170	5 - 23	V555-000010	1 - 5		
P003-004050	5 - 40	V580-000010	1 - 7		
P003-005010	5 - 3	X502-000410	8 - 13		
P021-014982	2 - 1	X503-009520	9 - 16		
P021-014991	4 - 7	X505-000950	11 - 12		
P021-015001	4 - 15	X505-002080	9 - 15		
P021-015010	9 - 8	X505-002310	1 - 15		
P021-015040	7 - 1				
P021-015223	11 - 1				
P021-016131	4 - 1				
P021-016141	4 - 4				
P021-045170	1 - 2				
P022-002100	8 - 11				
P022-036620	8 - 9				
P022-036630	8 - 3				
P022-036640	8 - 4				
P022-036650	8 - 6				
V043-000251	11 - 11				
V100-000260	1 - 9				
V102-000050	2 - 5				
V103-000440	4 - 2				
V103-000440	4 - 5				
V103-000450	4 - 8				
V103-000461	4 - 13				
V103-000471	4 - 18				
V104-000900	7 - 4				
V140-000020	4 - 11				
V150-001350	10 - 13				
V202-000140	4 - 3				
V202-000140	4 - 6				
V203-000310	4 - 9				
V263-000050	10 - 12				
V299-000290	4 - 22				
V304-000040	10 - 9				
V401-000110	10 - 2				
V450-000390	10 - 10				
V456-000010	10 - 11				
V471-000770	6 - 17				
V471-002150	6 - 16				
V471-002160	6 - 18				
V475-004110	6 - 19				
V485-000190	3 - 3				
V490-001230	6 - 21				
V491-000040	10 - 21				
V491-000110	10 - 17				
V491-000120	9 - 11				
V491-000120	10 - 19				

YAMABIKO CORPORATION

7-2 SUEHIROCHO 1-CHOME, OHME, TOKYO 198-8760, JAPAN
PHONE: 81-428-32-6118. FAX: 81-428-32-6145.



ECHO®

-14B
No. 65-099