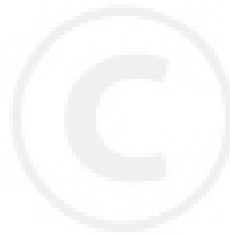




PARTS CATALOG

VACUUM CLEANER

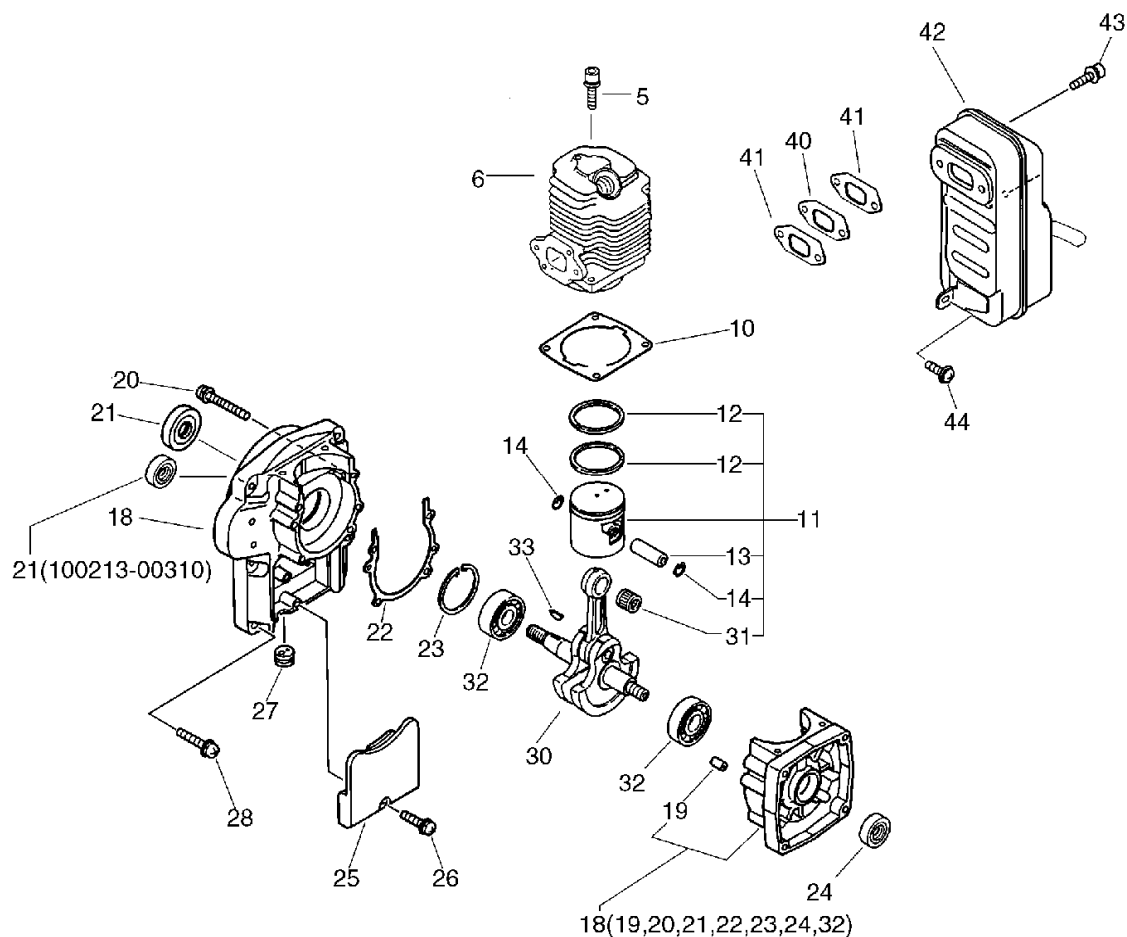
VCP-10



VCP-10

1. Cylinder, Crankcase, Piston, Muffler

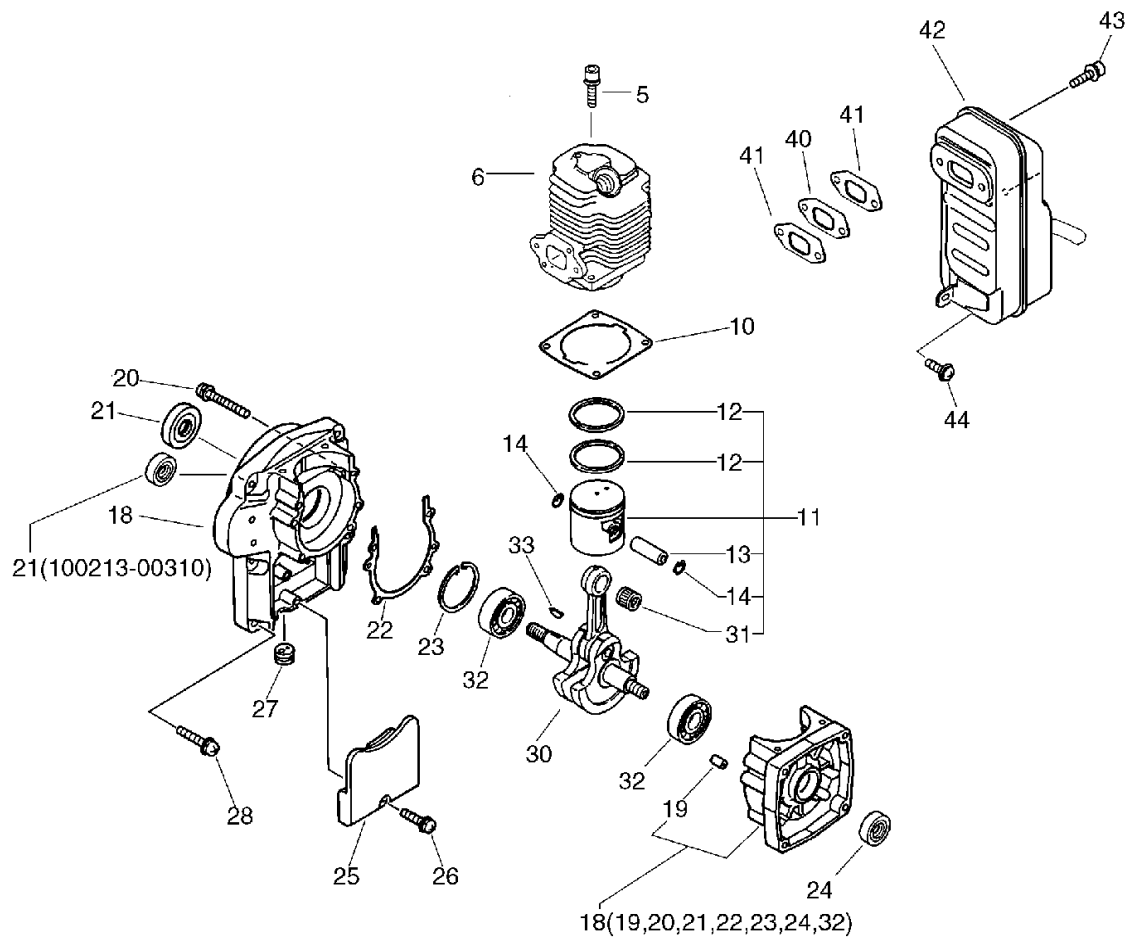
No.1



KEY	LV	PART NUMBER	Q'TY	DESCRIPTION	REMARKS	NOTE1	NOTE2
5		900162-05020	4	BOLT, H.S. 5*20	5*20 W,SW		
6		101011-08260	1	CYLINDER		Sus. by 101011-08261	
6		101011-08261	1	CYLINDER			
10		101010-10722	1	GASKET, CYL. BASE			
11		100000-03210	1	PISTON KIT			
12	+	100011-10530	2	RING, PISTON			
13	+	100013-00410	1	PIN, PISTON	6*10*29.8		
14	+	100015-00120	2	CIRCLIP, PISTON PIN			
31	+	100012-12330	1	BEARING, NEEDLE		Sus. by 100012-12331	
31	+	100012-12331	1	BEARING, NEEDLE			
18		100204-06310	1	CRANKCASE KIT		Sus. by 100204-60311	
18		100204-06311	1	CRANKCASE KIT			
19	+	100215-03930	2	PIN, DOWEL			
20	+	900242-05040	4	SCREW 5*40	5*40		
21	+	100213-02830	1	OILSEAL	ISMX15,35,6	Sr/Nr 001672 and before	
21	+	100213-00310	1	OILSEAL	ISCD 15 25 7	Sr/Nr 001673 and after	
22	+	100242-10720	1	GASKET, CRANKCASE		Sus. by 100242-10721	
22	+	100242-10721	1	GASKET, CRANKCASE			
23	+	900702-00035	1	CIRCLIP 35	CR-35	Sr/Nr 001672 and before	

1. Cylinder, Crankcase, Piston, Muffler

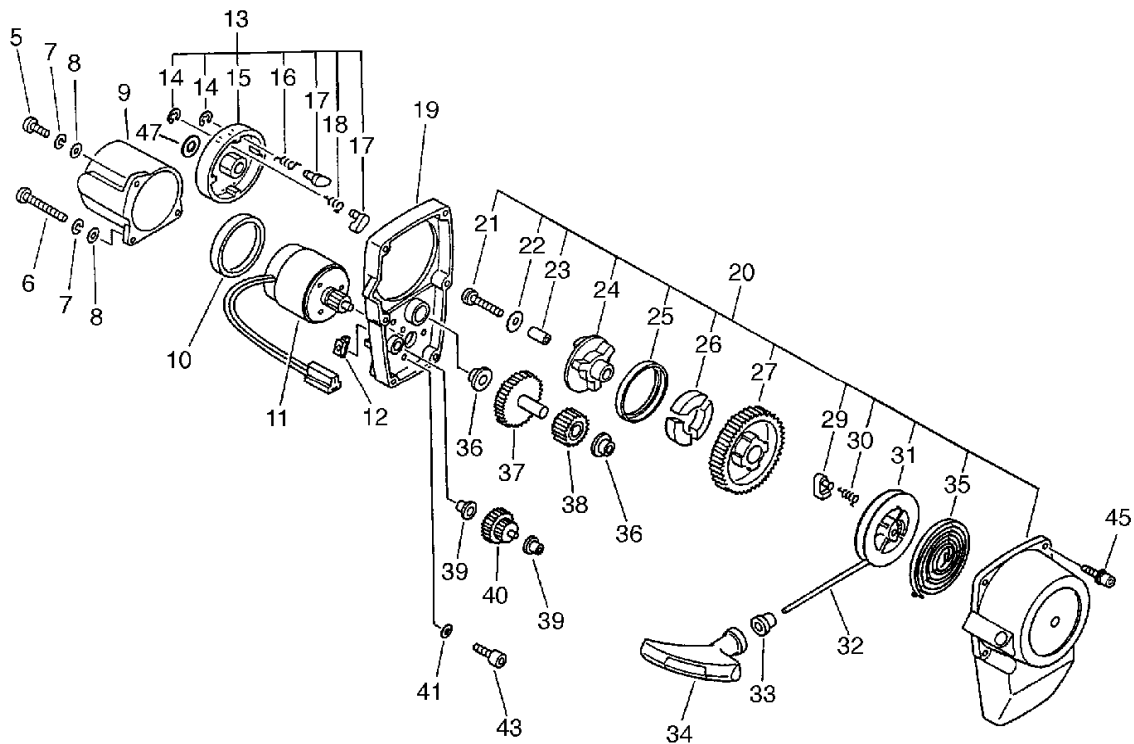
No.1



KEY	LV	PART NUMBER	Q'TY	DESCRIPTION	REMARKS	NOTE1	NOTE2
24	+	100213-00310	1	OILSEAL	ISCD 15 25 7		
32	+	900810-36202	2	BEARING, BALL 6202	6202/C3		
25		159129-08260	1	COVER, DUST			
26		900242-05018	1	SCREW 5*18	5*18		
27		151112-04630	1	BUSHING			
28		900242-05025	6	SCREW 5*25	5*25		
30		100100-06210	1	CRANKSHAFT ASSY			
33		900323-03014	1	KEY WOODRUFF	3*14		
40		145633-11460	1	PIECE, MUFFLER			
41		145510-06210	2	GASKET, MUFFLER		Sus. by 145510-06211	
41		145510-06211	2	GASKET, MUFFLER			
42		145610-11460	1	MUFFLER		Sus. by 145610-11461	
42		145610-11461	1	MUFFLER			
43		900105-06020	2	BOLT, H.S. 6*20	6*20		
44		900242-05014	1	SCREW 5*14	5*14		

2. Starter, Motor

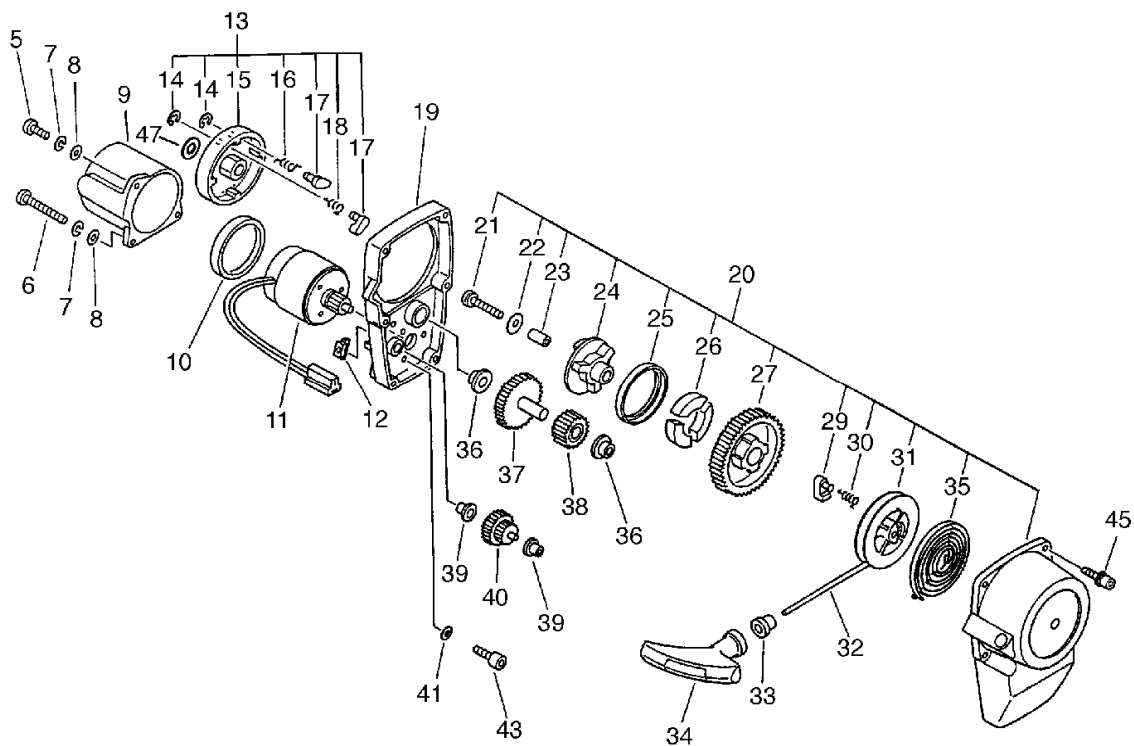
No.2



KEY	LV	PART NUMBER	Q'TY	DESCRIPTION	REMARKS	NOTE1	NOTE2
5		160612-06310	1	BOLT 4*16	4*16		
6		160612-06210	2	BOLT 4*40			
7		900605-00004	3	WASHER, SPRING 4	4		
8		900600-00004	3	WASHER 4	4		
9		160510-06310	1	COVER, MOTOR			
10		160511-06310	1	PLATE			
11		160301-06310	1	STARTER MOTOR ASSY			
12		150114-06310	1	GROMMET			
13		177202-06310	1	PAWL ASSY, STARTER			
14	+	900700-00004	4	E-RING 4	CE-4		
15	+	177210-06310	1	CATCHER, PAWL			
16	+	177234-05960	2	SPRING, RETURN			
17	+	177218-06210	4	PAWL, STARTER			
18	+	177234-42030	2	SPRING, RETURN			
19		177232-06310	1	CASE, STARTER			
20		177200-06311	1	STARTER ASSY			
21	+	177236-40630	1	SCREW			
22	+	177214-06310	2	WASHER			
23	+	177216-06310	1	COLLAR			
24	+	177239-06310	1	CAME			
25	+	177262-06310	1	PLATE, STARTER			
26	+	177233-06310	3	CUSHION			
27	+	160353-06310	1	GEAR (F)			
29	+	177218-06310	2	PAWL, STARTER			
30	+	177234-06310	2	SPRING, RETURN			
31	+	177215-06310	1	DRUM, STARTER			

2. Starter, Motor

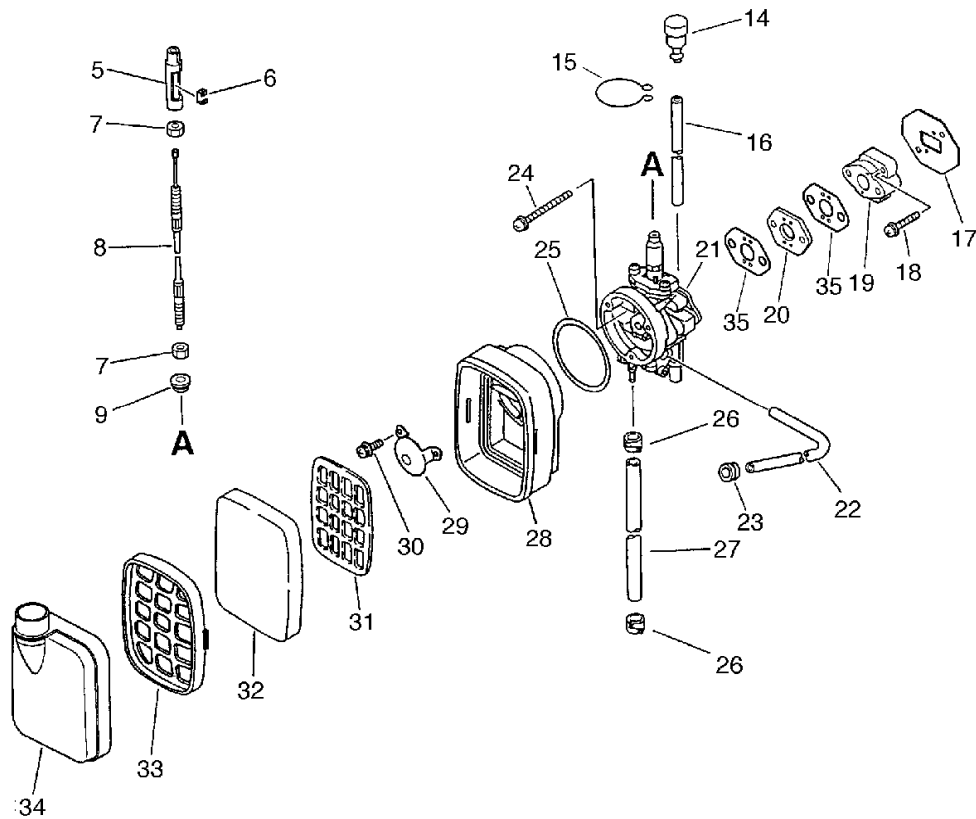
No.2



KEY	LV	PART NUMBER	Q'TY	DESCRIPTION	REMARKS	NOTE1	NOTE2
32	+	177226-06310	1	ROPE, STARTER	3.8*1150		
33	+	177227-42030	1	GUIDE, ROPE			
34	+	177228-11120	1	GRIP, STARTER			
35	+	177220-06310	1	SPRING, REWIND			
36		160617-06310	2	BEARING, METAL			
37		160601-06310	1	GEAR (D)			
38		160306-06310	1	GEAR (E)			
39		160616-06310	2	COLLAR			
40		160305-56430	1	GEAR ASSY, W/SHAFT			
41		160515-06310	3	WASHER			
43		900241-03008	3	SCREW 3*8	3*8		
45		900162-04030	4	BOLT, H.S. 4*30	4*30 W.SW		
47		900600-00008	1	WASHER 8	8		

3. Air Cleaner(Carburetor)

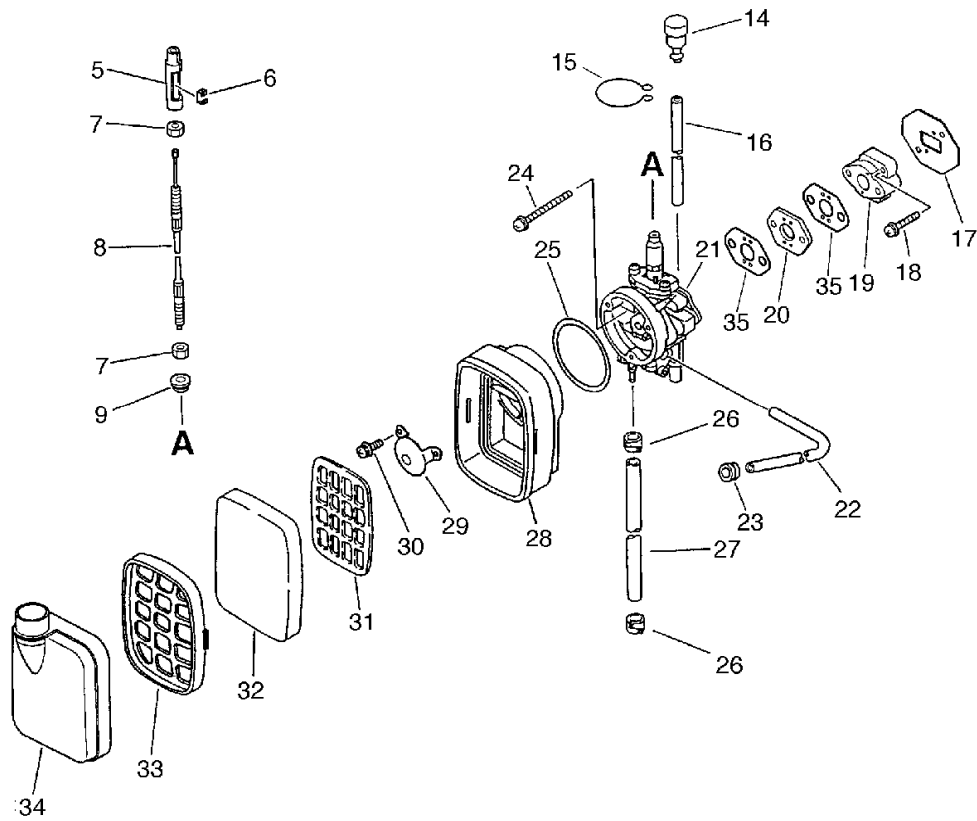
No.3



KEY	LV	PART NUMBER	Q'TY	DESCRIPTION	REMARKS	NOTE1	NOTE2
5		178114-05630	1	CONNECTOR, THR. WIRE			
6		178049-06630	1	CONNECTOR			
7		178021-05530	2	LOCKNUT			
8		178001-11460	1	WIRE, THROTTLE			
9		150114-38430	1	GROMMET			
14		132001-05510	1	VALVE, CHECK			
15		132013-05060	1	CLIP, PIPE			
16		132010-06530	1	PIPE 3*6*85	3*6*85		
17		130010-03461	1	GASKET			
18		900242-05025	2	SCREW 5*25	5*25		
19		130007-06110	1	INSULATOR			
20		130026-06110	1	SPACER			
21		124200-11461	1	CARBURETOR ASSY	K13PR-6D		
22		132012-11460	1	PIPE 3*6*330	3*6*330 YL		
23		130356-11360	1	GROMMET, CIRCULAR			
24		900242-05050	2	SCREW 5*50	5*50		
25		130320-11360	1	O-RING			
26		357013-00210	2	CLIP 11	11≧J	Sus. by 132013-14010	
26		132013-14010	2	BAND	10.5MM		
27		132007-16430	1	PIPE, FUEL W/GROMMET			
28		130307-04211	1	CASE, AIR CLEANER			
29		129011-05110	1	PLATE			
30		900242-04012	2	SCREW 4*12	4*12		
31		130319-03710	1	GRID, AIR CLEANER			
32		130310-10720	1	FILTER, AIR			

3. Air Cleaner(Carburetor)

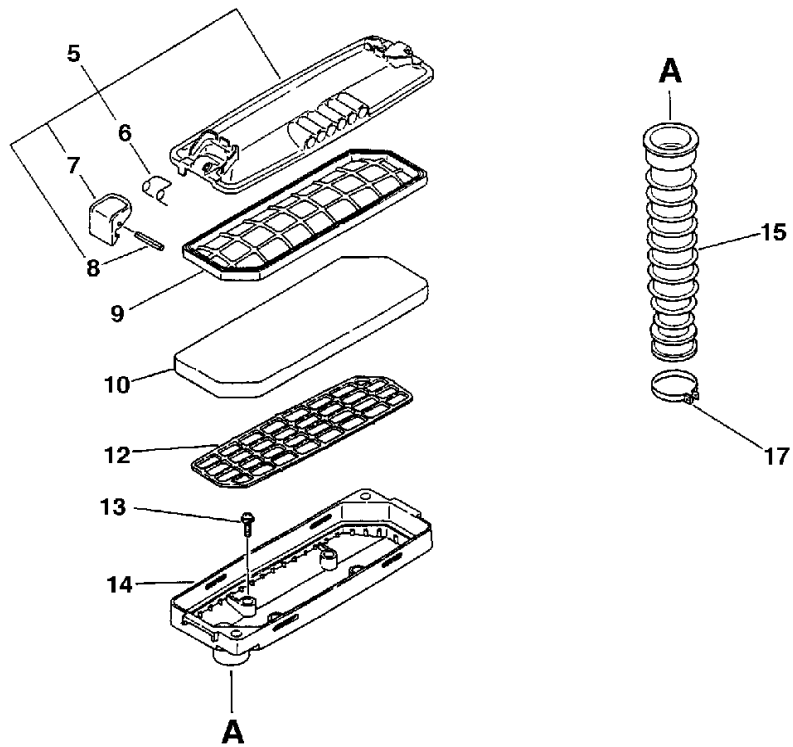
No.3



KEY	LV	PART NUMBER	Q'TY	DESCRIPTION	REMARKS	NOTE1	NOTE2
33		130311-03710	1	GRID, AIR CLEANER			
34		130313-11460	1	COVER, AIR CLEANER			
35		130016-06110	2	GASKET, INTAKE			

4. Air Cleaner

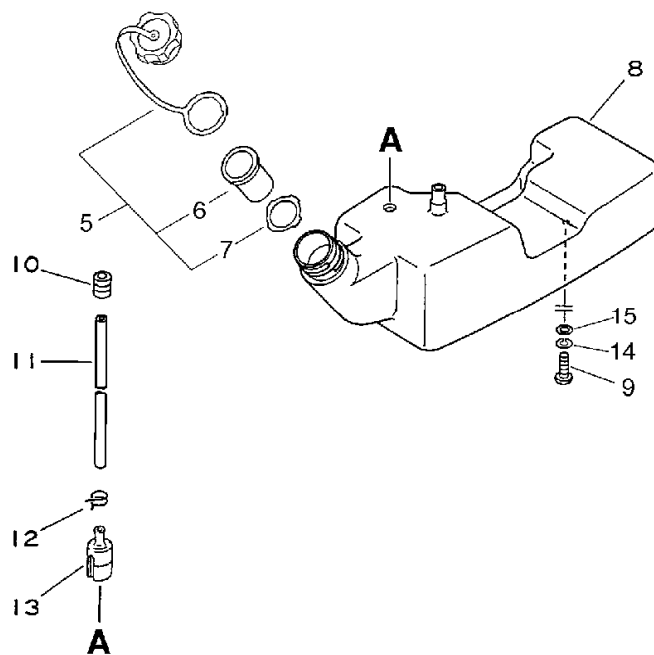
No.4



KEY	LV	PART NUMBER	Q'TY	DESCRIPTION	REMARKS	NOTE1	NOTE2
5		130302-04260	1	COVER ASS'Y, AIR CLN			
6	+	130364-04261	2	SPRING, HOOK			
7	+	130341-04260	2	HOOK			
8	+	900345-30025	2	PIN, SPRING 3*25	3*25		
9		130311-04260	1	GRID, AIR CLEANER			
10		130310-04260	1	FILTER, AIR			
12		130319-04260	1	GRID, AIR CLEANER			
13		900242-04014	4	SCREW 4*14	4*14		
14		130314-04260	1	COVER, AIR CLEANER			
15		130711-11461	1	ADAPTER, INTAKE			
17		130713-10920	1	CLAMP			

5. Fuel Tank

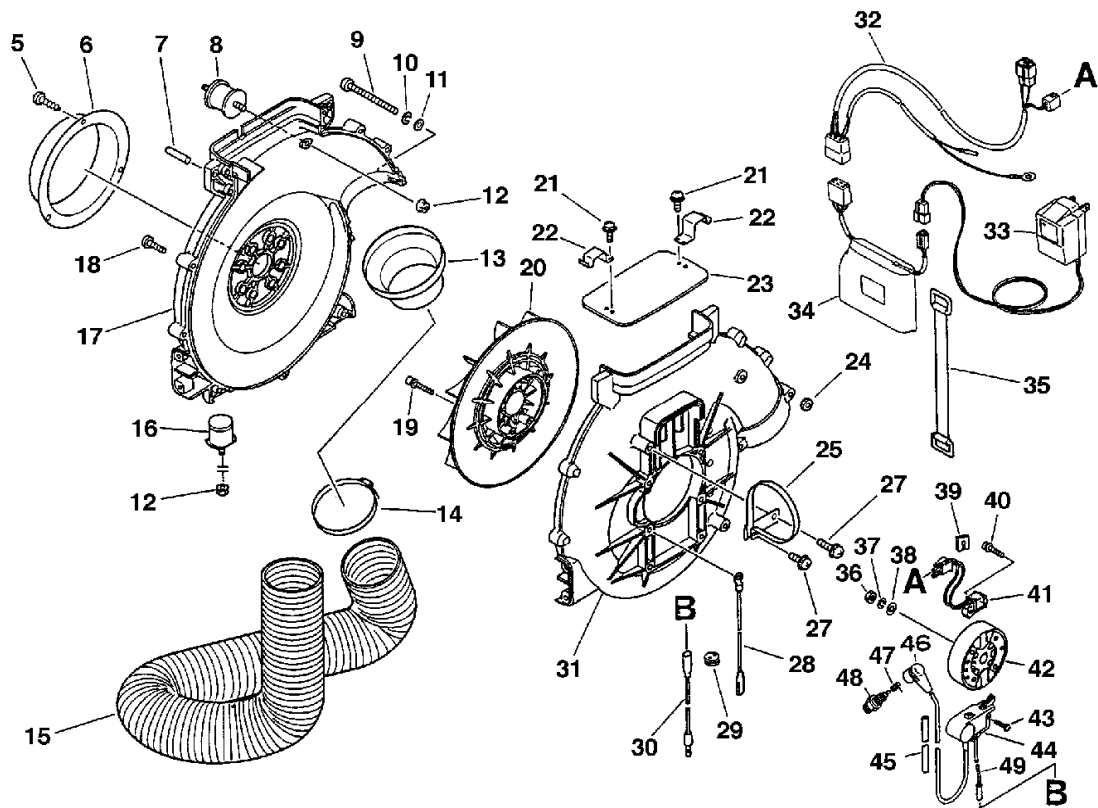
No.5



KEY	LV	PART NUMBER	Q'TY	DESCRIPTION	REMARKS	NOTE1	NOTE2
5		131600-07130	1	CAP ASSY, FUEL TANK		Sus. by 131600-21060	
5		131600-21060	1	CAP ASSY, FUEL TANK			
6	+	131003-05330	1	CUP SET, VENT			
7	+	131016-21230	1	GASKET, FUEL CAP		Sr/Nr 001672 and before	
7	+	131016-21060	1	GASKET, FUEL CAP		Sr/Nr 001673 and after	
8		131005-06211	1	TANK, FUEL		Sus. by 131005-06213	
8		131005-06212	1	TANK, FUEL		Sus. by 131005-06213	
8		131005-06213	1	TANK, FUEL			
9		900100-06010	2	BOLT 6*10	6*10		
10		132115-12330	1	GROMMET			
11		132012-03210	1	PIPE, FUEL	7*11*230		
12		132013-26630	1	CLIP	6.5MM		
13		131205-19830	1	STRAINER, FUEL			
14		900605-00006	2	WASHER, SPRING 6	6		
15		900603-00006	2	WASHER 6	6.5*13*1		

6. Magneto, Fan Case

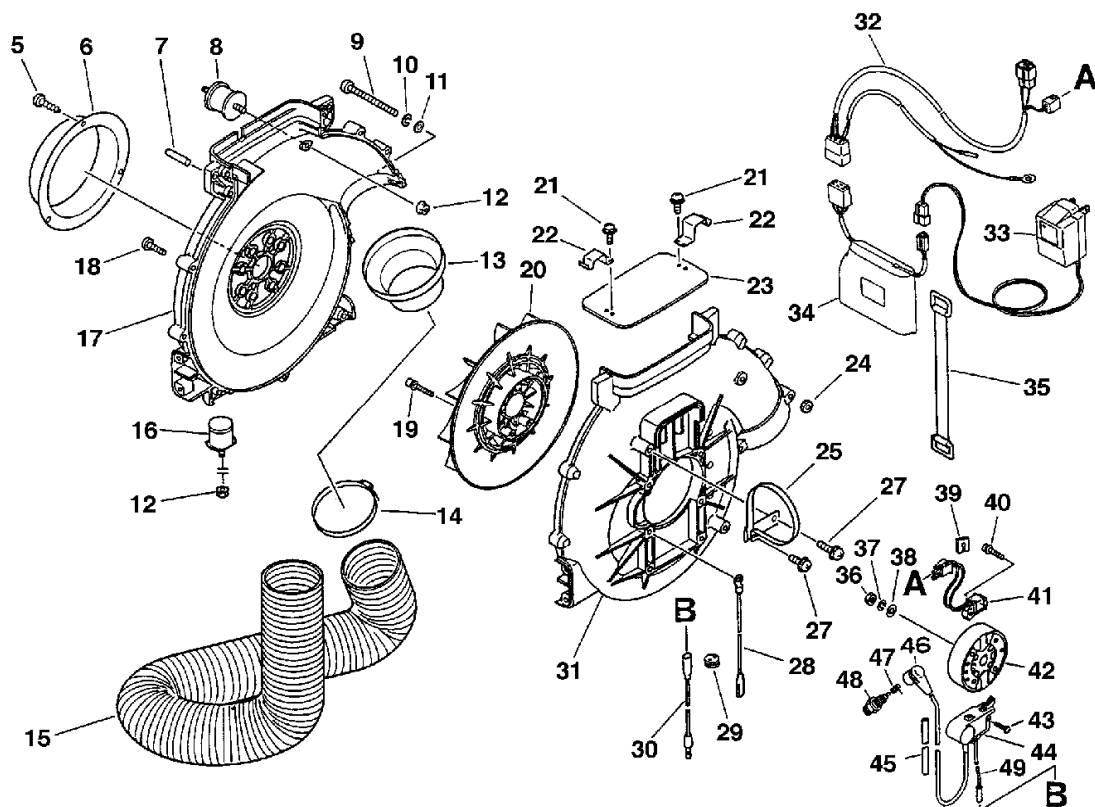
No.6



KEY	LV	PART NUMBER	Q'TY	DESCRIPTION	REMARKS	NOTE1	NOTE2
5		900252-05014	3	SCREW 5*14	5*14		
6		210022-11460	1	RETAINER, B. ELBOW			
7		900333-70380	2	PIN, STRAIGHT			
8		200910-06210	2	CUSHION			
9		210425-04110	2	BOLT			
10		900605-00005	2	WASHER, SPRING 5	5		
11		900600-00005	2	WASHER 5	5		
12		900515-00006	4	NUT, FLANGE 6	6		
13		210020-11460	1	PIPE, BLOWER			
14		210413-11460	1	CLAMP, FLEXIBLE PIPE			
15		210012-11460	1	PIPE, FLEXIBLE	75*990		
16		200916-03210	2	CUSHION			
17		200107-06310	1	CASE, FAN			
18		900286-05025	11	SCREW 5*25 SUS	5*25 SUS		
19		900148-05035	4	BOLT 5*35	5*35		
20		200005-06210	1	FAN			
23		200106-11460	1	LID SET, FANCASE			
21	+	900242-05014	2	SCREW 5*14	5*14		
22	+	200143-11461	2	FIXTURE, LID			
24		900500-00005	2	NUT 5	5		
25		210411-11460	1	BAND			
27		900242-05014	2	SCREW 5*14	5*14		
28		162010-11461	1	LEAD, GROUND			
29		156114-05510	1	GROMMET			
30		162021-11461	1	LEAD			
31		200105-06310	1	CASE, FAN			

6. Magneto, Fan Case

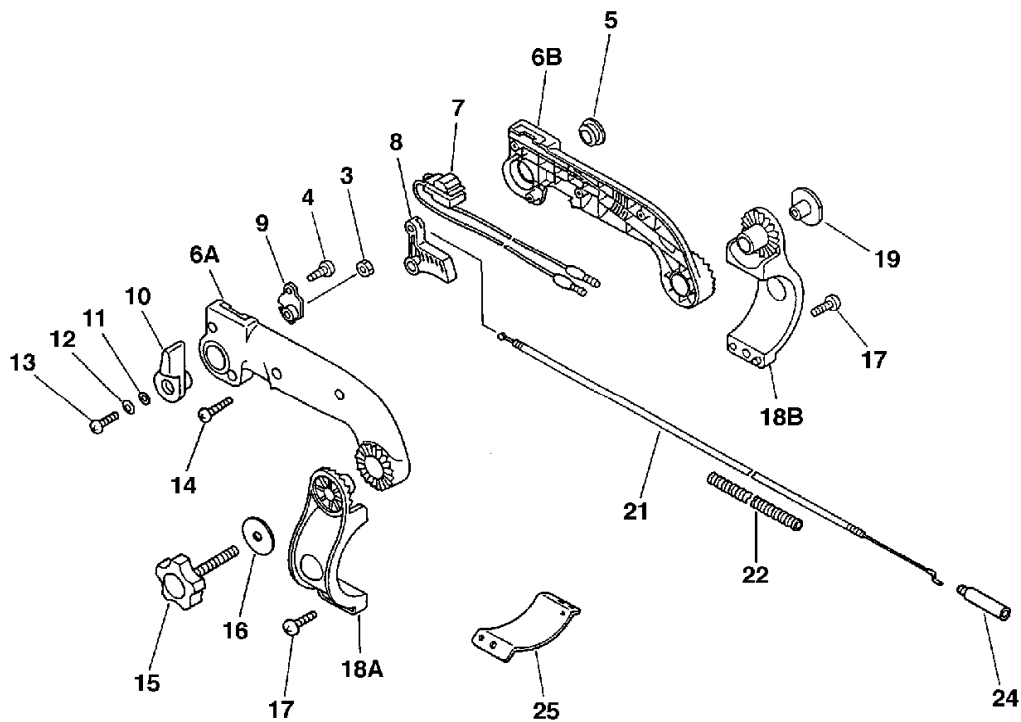
No.6



KEY	LV	PART NUMBER	Q'TY	DESCRIPTION	REMARKS	NOTE1	NOTE2
32		162080-06311	1	HARNESS, WIRE			
33		161300-11460	1	CHARGER	200V		
34		160020-06310	1	BATTERY ASSY			
35		131917-22430	1	BAND, FUEL TANK			
36		900501-00010	1	NUT 10*1.25	10*P1.25		
37		900605-00010	1	WASHER, SPRING 10	10		
38		900602-00010	1	WASHER 10(10.5*21*2)	10.5*21*2		
39		150614-02910	1	GROMMET			
40		900242-04020	2	SCREW 4*20	4*20		
41		161310-48130	1	COIL, CHARGER			
42		156800-06211	1	ROTOR			
43		900242-05018	2	SCREW 5*18	5*18		
44		156601-09861	1	C.D.I. MODULE W/LEAD			
49	+	162021-08260	1	LEAD	180L		
45		156611-04260	1	TUBE	6*8*340		
46		159012-10230	1	CAP, SPARK PLUG			
47		159016-05330	1	ADAPTER, PLUG CAP			
48		159010-10230	1	PLUG, SPARK (BPMR-7A)	BPMR-7A		

7. Throttle

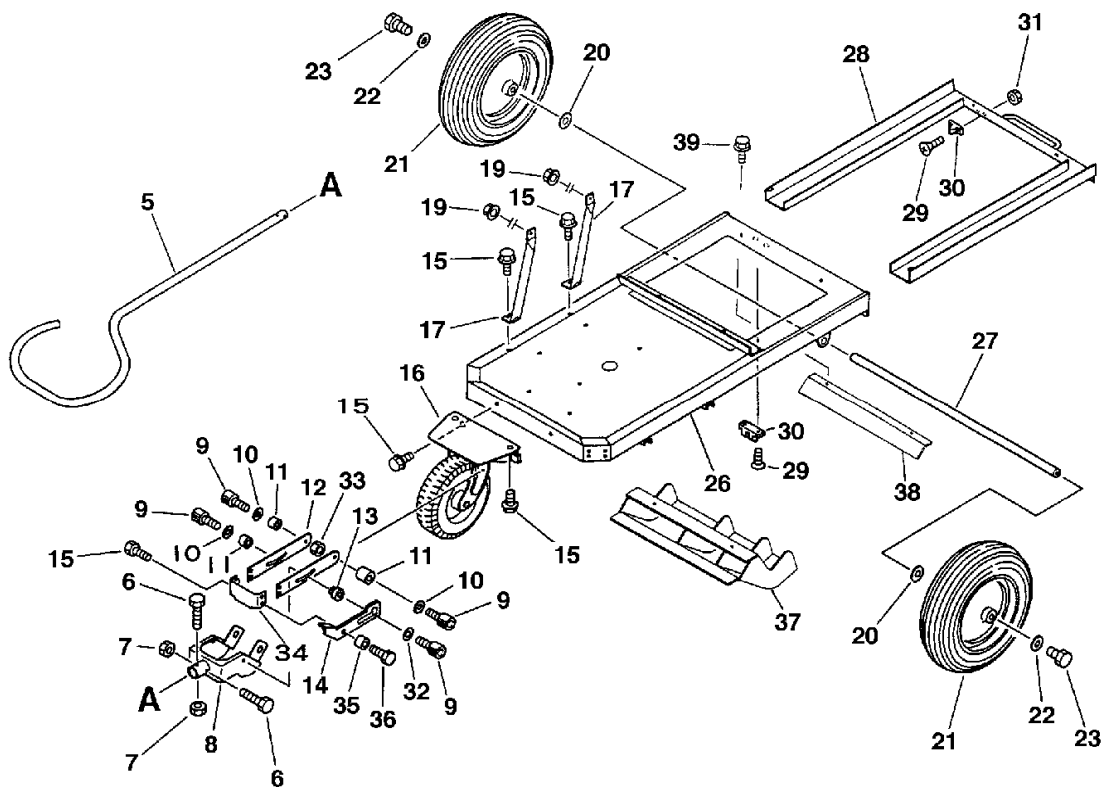
No.7



KEY	LV	PART NUMBER	Q'TY	DESCRIPTION	REMARKS	NOTE1	NOTE2
3		900500-00006	1	NUT 6	6		
4		900245-04010	1	SCREW 4*10	4*10		
5		351146-07560	1	PLUG			
6		351002-07560	1	HANDLE ASSY, FRONT			
14	+	900256-04022	4	SCREW 4*22	4*22		
		178103-11460	1	CABLE, CONTROL			
7	+	163401-11460	1	SWITCH, IGNITION			
21	+	178002-11460	1	WIRE, THROTTLE			
22	+	178127-11460	1	TUBE	7*10*1770		
8		178010-11460	1	CONTROL, THROTTLE			
9		178123-07561	1	BRACKET, THROTTLE			
10		178054-07560	1	CONTRTOL, THROTTLE			
11		900603-00006	1	WASHER 6	6.5*13*1		
12		900605-00006	1	WASHER, SPRING 6	6		
13		900235-06020	1	SCREW 6*20	6*20		
15		305812-07560	1	KNOB, FASTENER			
16		178516-07560	1	WASHER 6			
17		900242-05016	2	SCREW 5*16	5*16		
18A		351225-11460	1	BRACKET, HANDLE			
18B		351011-11460	1	SUPPORTER, F. HANDLE			
19		178021-08260	1	NUT, THROTTLE ROD			
24		178128-22330	1	SLEEVE			
25		351028-11460	1	BRACKET, HANDLE			

8. Frame

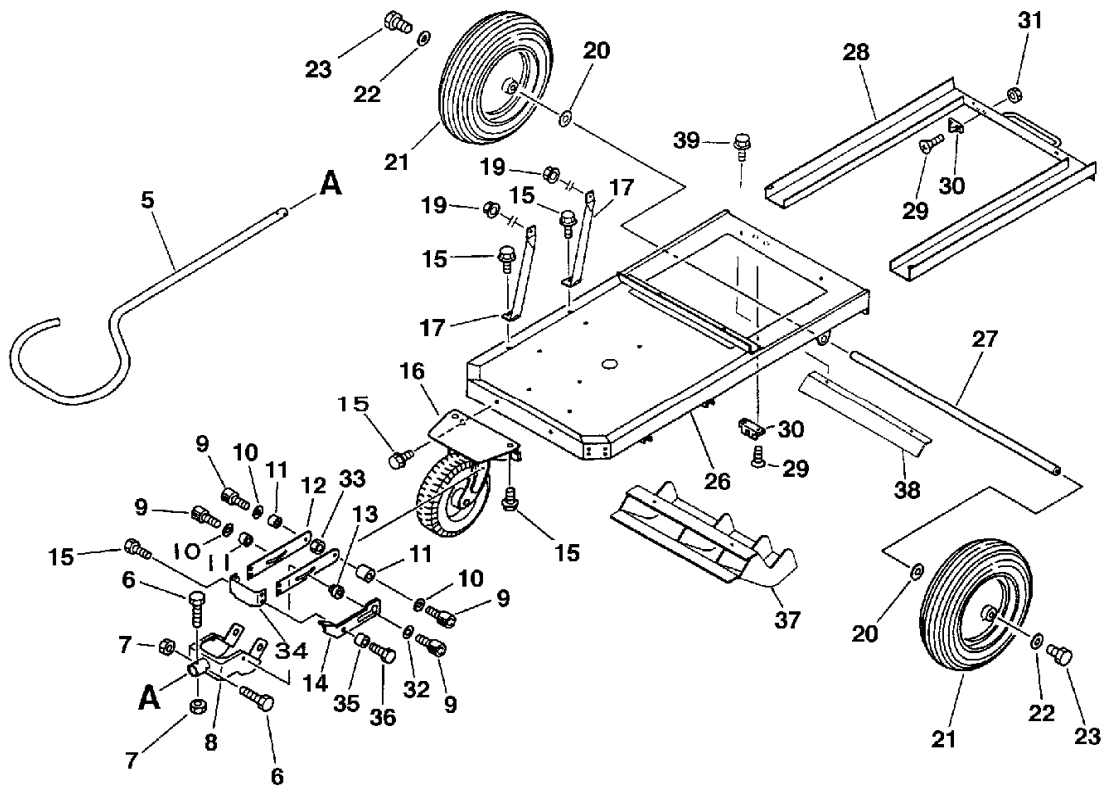
No.8



KEY	LV	PART NUMBER	Q'TY	DESCRIPTION	REMARKS	NOTE1	NOTE2
5		351010-11461	1	HANDLE			
6		900100-06035	2	BOLT 6*35	6*35		
7		900560-00006	2	NUT, LOCK	6		
8		351312-11461	1	BRACKET, HANDLE			
9		900105-05020	4	BOLT, H.S. 5*20	5*20		
10		177214-02830	3	WASHER	5.2*16*1.0T		
11		699012-03330	3	SPACER			
		302404-11460	1	FIXTURE, BRAKE			
12	+	302454-11460	2	FIXTURE, BRAKE			
15	+	900103-06012	3	BOLT, FLANGE 6*12	6*12		
34	+	302452-11461	1	FIXTURE, BRAKE			
36	+	900103-06016	1	BOLT, FLANGE 6*16	6*16		
13		302453-11460	1	COLLAR, 5			
14		302451-12160	1	STOPPER, BRAKE			
15		900103-06012	6	BOLT, FLANGE 6*12	6*12		
16		302411-11460	1	CASTER			
17		104930-11460	2	BRACKET, ENGINE			
19		900515-00006	2	NUT, FLANGE 6	6		
20		696218-06030	2	WASHER, CIRCULAR 16			
21		302410-10910	2	WHEEL			
22		900603-00010	2	WASHER 10	10.5*22*1.6		
23		900100-10015	2	BOLT 10*15	10*15		
26		302010-11461	1	FRAME			
27		302210-11460	1	SHAFT, AXLE	776L		
28		889685-11460	1	RAIL			
29		900212-04008	8	SCREW 4*8	+SF4*8		

8. Frame

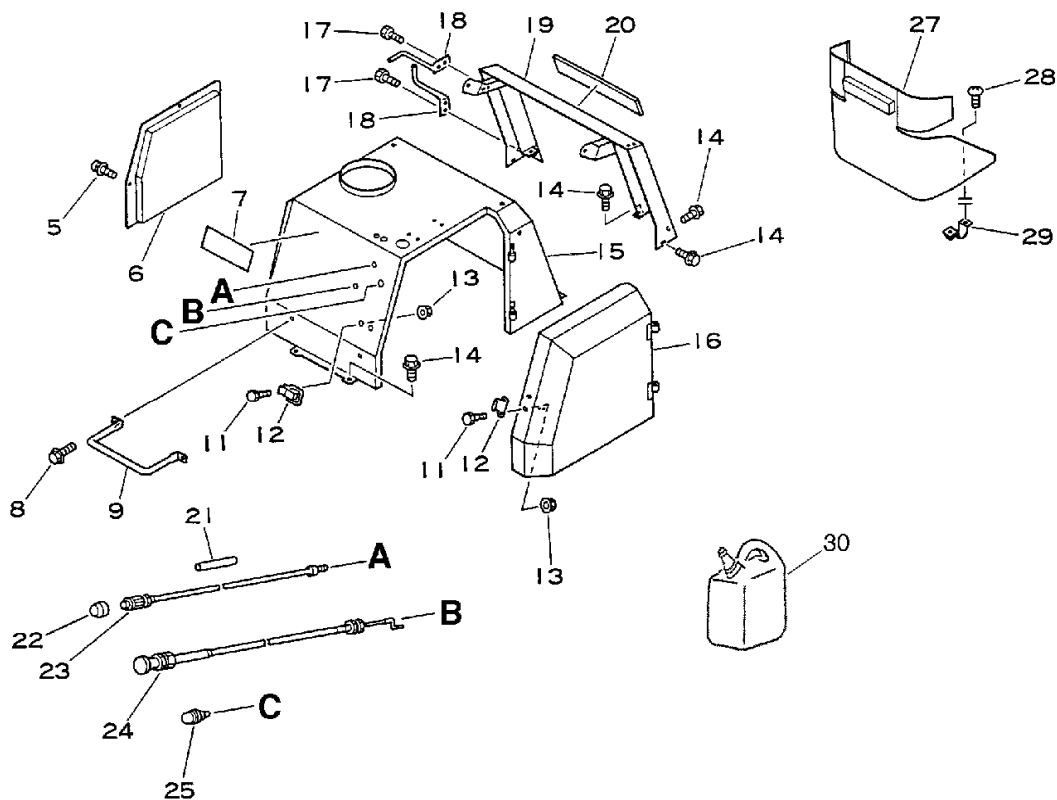
No.8



KEY	LV	PART NUMBER	Q'TY	DESCRIPTION	REMARKS	NOTE1	NOTE2
30		889687-11460	2	CATCHER, BALL			
31		900515-00004	4	NUT, FLANGE 4	4		
32		433115-35430	1	WASHER			
33		900500-00005	2	NUT 5	5		
35		433115-12330	1	SPACER			
37		370315-11460	1	GUIDE, BLOWER			
38		370316-11460	1	GUIDE, AIR			
39		900216-05010	2	SCREW 5*10	5*10		

9. Engine Case

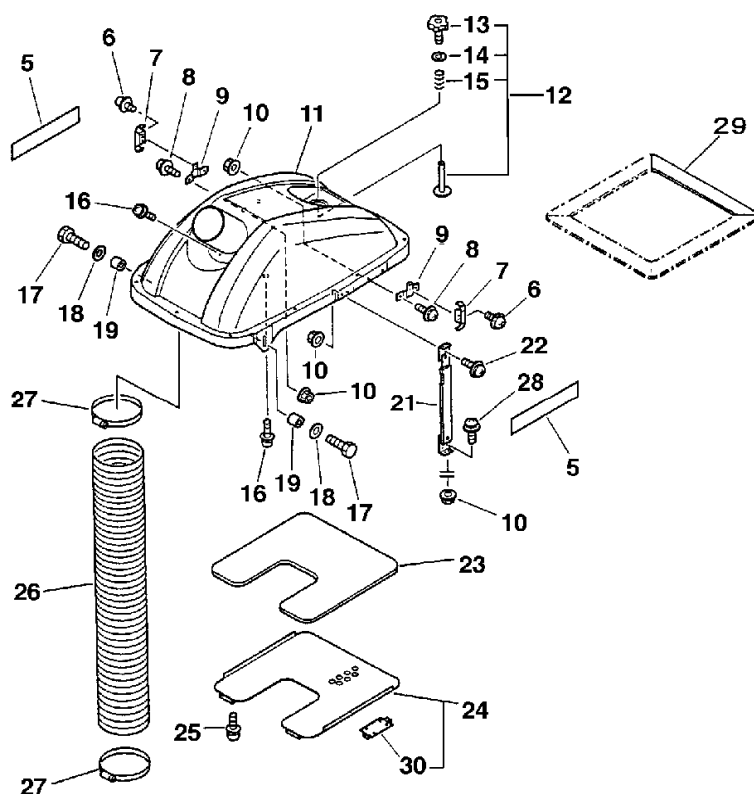
No.9



KEY	LV	PART NUMBER	Q'TY	DESCRIPTION	REMARKS	NOTE1	NOTE2
5		900103-05010	3	BOLT, FLANGE 5*10	5*10		
6		104072-11460	1	LID, CASE			
7		890118-04261	1	LABEL, ECHO		Sus. by 890118-04262	
7		890118-04262	1	LABEL, ECHO	194*44		
8		900103-05010	2	BOLT, FLANGE 5*10	5*10		
9		131910-11460	1	BRACKET, FUEL TANK			
11		900100-05012	4	BOLT 5*12	5*12		
12		104050-11460	1	FASTENER			
13		900515-00005	4	NUT, FLANGE 5	5		
14		900103-06012	13	BOLT, FLANGE 6*12	6*12		
15		104070-11460	1	CASE, ENGINE			
16		104071-11460	1	LID, CASE			
17		900100-05012	4	BOLT 5*12	5*12		
18		215020-11460	2	HOLDER, PIPE			
19		130420-11460	1	STAY, CLEANER			
20		130365-11460	1	SEAL, CLEANER			
22		163910-06310	1	COVER, SWITCH			
23		166101-10220	1	SWITCH			
24		175504-06310	1	CABLE, CONTROL			
25		132700-11360	1	PUMP ASSY, FUEL			
27		880821-11460	1	HOLDER, BOX			
28		900216-06010	4	SCREW 6*10	6*10		
29		210423-11460	2	BAND			
30		131010-11460	1	TANK, FUEL			

10. Cleaner Case

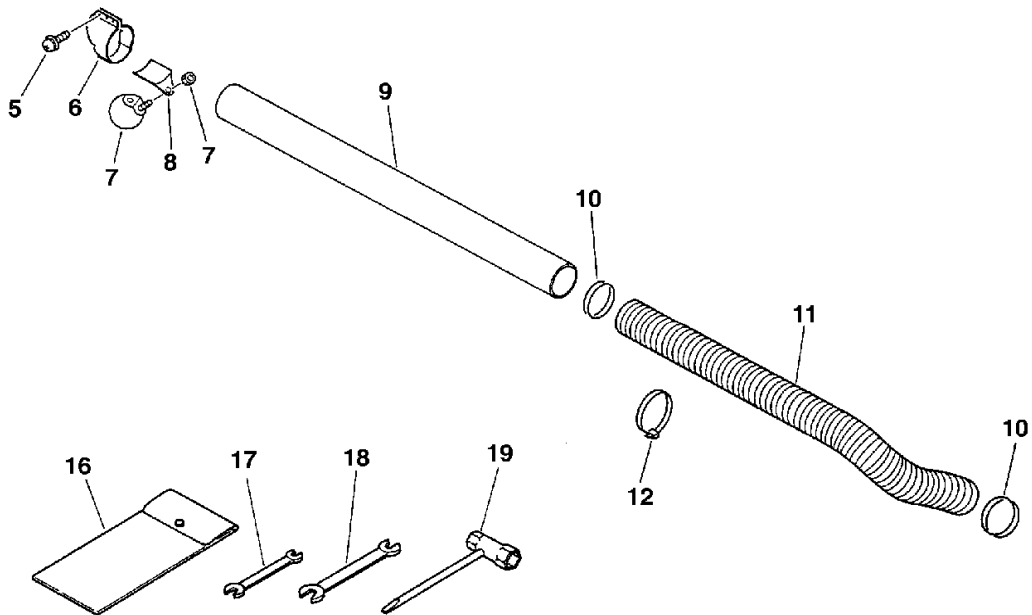
No.10



KEY	LV	PART NUMBER	Q'TY	DESCRIPTION	REMARKS	NOTE1	NOTE2
5		890112-11460	2	LABEL, MODEL			
6		900220-04006	4	SCREW 4*6	4*6		
7		352325-11460	2	KNOB, FASTENER			
11		880807-11460	1	CASE, CLEANER			
8	+	900242-05016	4	SCREW 5*16	5*16		
9	+	104021-11460	2	HOOK			
10	+	900515-00005	8	NUT, FLANGE 5	5		
12	+	104007-11460	1	SET BOLT, COVER			
13	++	104205-11460	1	BOLT, THUMB			
14	++	175048-05530	1	WASHER (I)	6.2*19*1.0		
15	++	104054-11460	1	SPRING			
29	+	880826-11460	1	PAD, FOAM			
16		900242-05014	7	SCREW 5*14	5*14		
17		900100-08025	2	BOLT 8*25	8*25		
18		302212-11360	2	WASHER, AXLE	8.5*26*2.3		
19		104214-11460	2	SPACER			
21		104213-11460	1	STAY, COVER			
22		900242-05018	2	SCREW 5*18	5*18		
23		880820-11460	1	ELEMENT, FILTER			
24		880808-11460	1	LID, CLEANER			
30	+	104040-11460	1	STOPPER			
25		900242-05014	4	SCREW 5*14	5*14		
26		210013-11460	1	PIPE, FLEXIBLE	125*850		
27		210410-11460	2	BAND			
28		900100-05012	2	BOLT 5*12	5*12		

11. Pipe, Tools

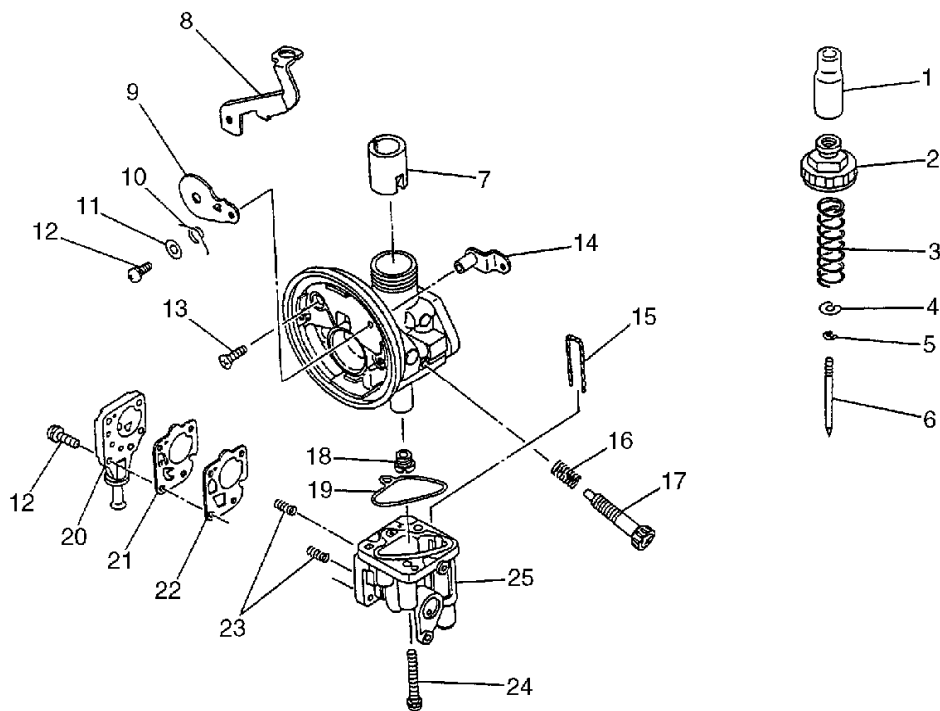
No.11



KEY	LV	PART NUMBER	Q'TY	DESCRIPTION	REMARKS	NOTE1	NOTE2
5		900238-05014	2	SCREW 5*14	5*14		
6		210040-11460	1	FIXTURE, PIPE			
7		302413-11460	1	CASTER			
8		301511-11460	1	BRACKET, WHEEL			
9		210014-11460	1	PIPE, STRAIGHT			
10		220110-11460	2	BAND			
11		210018-11460	1	PIPE, FLEXIBLE	100*1300		
12		178121-11460	4	BAND	CV-550		
16		898510-39130	1	BAG, TOOL			
17		895112-00330	1	SPANNER 8*10			
18		895116-00630	1	SPANNER (13*17)			
19		895410-02830	1	WRENCH, W/S. DRIVER			

12. Carburetor

No.12



KEY	LV	PART NUMBER	Q'TY	DESCRIPTION	REMARKS	NOTE1	NOTE2
		124200-11461	1	CARBURETOR ASSY	K13PR-6D		
1	+	124174-11120	1	CAP			
2	+	124113-05910	1	COVER, TOP			
3	+	124114-11460	1	SPRING, THROTTLE			
4	+	124115-11120	1	SEAT, SPRING			
5	+	124116-05530	1	E-RING			
6	+	124117-11460	1	NEEDLE, JET			
7	+	124118-05910	1	VALVE, THROTTLE			
8	+	124170-05910	1	STEY			
9	+	124143-11460	1	PLATE, CHOKE			
10	+	124140-05910	1	SPRING			
11	+	124150-05910	1	WASHER			
12	+	900241-03010	5	SCREW 3*10 (W/SW)	3*10		
13	+	900212-04008	1	SCREW 4*8	+SF4*8		
14	+	124142-05910	1	LEVER, CHOKE			
15	+	124182-05510	1	WIRE, DRAIN			
16	+	124160-11120	1	SPRING, IDLE ADJUST			
17	+	124159-11460	1	SCREW, IDLE ADJUST			
18	+	124122-05510	1	JET, MAIN			
19	+	124123-05510	1	GASKET, CHAMBER			
20	+	124365-05510	1	COVER, PUMP			
21	+	124364-05510	1	DIAPHRAGM, FUEL PUMP			
22	+	124363-21330	1	GASKET, PUMP DIAPH.			
23	+	124367-21330	2	SPRING, COIL			
24	+	900241-04030	2	SCREW 4*30 (W/SW)	4*30		
25	+	124124-11360	1	CHAMBER, FLOAT			

Index

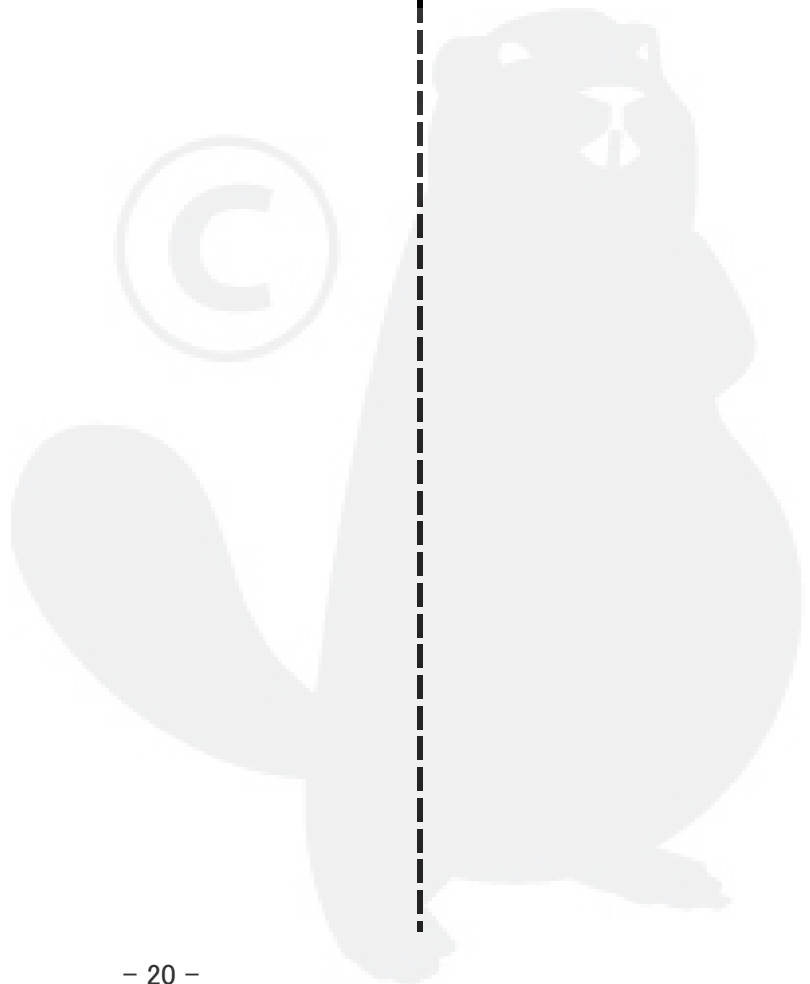
Patrs Number	Key No.	Patrs Number	Key No.	Patrs Number	Key No.
100000-03210	1 - 11	124200-11461	3 - 21	132700-11360	9 - 25
100011-10530	1 - 12	124363-21330	12 - 22	145510-06210	1 - 41
100012-12330	1 - 31	124364-05510	12 - 21	145510-06211	1 - 41
100012-12331	1 - 31	124365-05510	12 - 20	145610-11460	1 - 42
100013-00410	1 - 13	124367-21330	12 - 23	145610-11461	1 - 42
100015-00120	1 - 14	129011-05110	3 - 29	145633-11460	1 - 40
100100-06210	1 - 30	130007-06110	3 - 19	150114-06310	2 - 12
100204-06310	1 - 18	130010-03461	3 - 17	150114-38430	3 - 9
100204-06311	1 - 18	130016-06110	3 - 35	150614-02910	6 - 39
100213-00310	1 - 21	130026-06110	3 - 20	151112-04630	1 - 27
100213-00310	1 - 24	130302-04260	4 - 5	156114-05510	6 - 29
100213-02830	1 - 21	130307-04211	3 - 28	156601-09861	6 - 44
100215-03930	1 - 19	130310-04260	4 - 10	156611-04260	6 - 45
100242-10720	1 - 22	130310-10720	3 - 32	156800-06211	6 - 42
100242-10721	1 - 22	130311-03710	3 - 33	159010-10230	6 - 48
101010-10722	1 - 10	130311-04260	4 - 9	159012-10230	6 - 46
101011-08260	1 - 6	130313-11460	3 - 34	159016-05330	6 - 47
101011-08261	1 - 6	130314-04260	4 - 14	159129-08260	1 - 25
104007-11460	10 - 12	130319-03710	3 - 31	160020-06310	6 - 34
104021-11460	10 - 9	130319-04260	4 - 12	160301-06310	2 - 11
104040-11460	10 - 30	130320-11360	3 - 25	160305-56430	2 - 40
104050-11460	9 - 12	130341-04260	4 - 7	160306-06310	2 - 38
104054-11460	10 - 15	130356-11360	3 - 23	160353-06310	2 - 27
104070-11460	9 - 15	130364-04261	4 - 6	160510-06310	2 - 9
104071-11460	9 - 16	130365-11460	9 - 20	160511-06310	2 - 10
104072-11460	9 - 6	130420-11460	9 - 19	160515-06310	2 - 41
104205-11460	10 - 13	130711-11461	4 - 15	160601-06310	2 - 37
104213-11460	10 - 21	130713-10920	4 - 17	160612-06210	2 - 6
104214-11460	10 - 19	131003-05330	5 - 6	160612-06310	2 - 5
104930-11460	8 - 17	131005-06211	5 - 8	160616-06310	2 - 39
124113-05910	12 - 2	131005-06212	5 - 8	160617-06310	2 - 36
124114-11460	12 - 3	131005-06213	5 - 8	161300-11460	6 - 33
124115-11120	12 - 4	131010-11460	9 - 30	161310-48130	6 - 41
124116-05530	12 - 5	131016-21060	5 - 7	162010-11461	6 - 28
124117-11460	12 - 6	131016-21230	5 - 7	162021-08260	6 - 49
124118-05910	12 - 7	131205-19830	5 - 13	162021-11461	6 - 30
124122-05510	12 - 18	131600-07130	5 - 5	162080-06311	6 - 32
124123-05510	12 - 19	131600-21060	5 - 5	163401-11460	7 - 7
124124-11360	12 - 25	131910-11460	9 - 9	163910-06310	9 - 22
124140-05910	12 - 10	131917-22430	6 - 35	166101-10220	9 - 23
124142-05910	12 - 14	132001-05510	3 - 14	175048-05530	10 - 14
124143-11460	12 - 9	132007-16430	3 - 27	175504-06310	9 - 24
124150-05910	12 - 11	132010-06530	3 - 16	177200-06311	2 - 20
124159-11460	12 - 17	132012-03210	5 - 11	177202-06310	2 - 13
124160-11120	12 - 16	132012-11460	3 - 22	177210-06310	2 - 15
124170-05910	12 - 8	132013-05060	3 - 15	177214-02830	8 - 10
124174-11120	12 - 1	132013-14010	3 - 26	177214-06310	2 - 22
124182-05510	12 - 15	132013-26630	5 - 12	177215-06310	2 - 31
124200-11461	12 -	132115-12330	5 - 10	177216-06310	2 - 23

Index

Patrs Number	Key No.	Patrs Number	Key No.	Patrs Number	Key No.
177218-06210	2 - 17	301511-11460	11 - 8	900103-05010	9 - 5
177218-06310	2 - 29	302010-11461	8 - 26	900103-05010	9 - 8
177220-06310	2 - 35	302210-11460	8 - 27	900103-06012	8 - 15
177226-06310	2 - 32	302212-11360	10 - 18	900103-06012	8 - 15
177227-42030	2 - 33	302404-11460	8 -	900103-06012	9 - 14
177228-11120	2 - 34	302410-10910	8 - 21	900103-06016	8 - 36
177232-06310	2 - 19	302411-11460	8 - 16	900105-05020	8 - 9
177233-06310	2 - 26	302413-11460	11 - 7	900105-06020	1 - 43
177234-05960	2 - 16	302451-12160	8 - 14	900148-05035	6 - 19
177234-06310	2 - 30	302452-11461	8 - 34	900162-04030	2 - 45
177234-42030	2 - 18	302453-11460	8 - 13	900162-05020	1 - 5
177236-40630	2 - 21	302454-11460	8 - 12	900212-04008	12 - 13
177239-06310	2 - 24	305812-07560	7 - 15	900212-04008	8 - 29
177262-06310	2 - 25	351002-07560	7 - 6	900216-05010	8 - 39
178001-11460	3 - 8	351010-11461	8 - 5	900216-06010	9 - 28
178002-11460	7 - 21	351011-11460	7 - 18B	900220-04006	10 - 6
178010-11460	7 - 8	351028-11460	7 - 25	900235-06020	7 - 13
178021-05530	3 - 7	351146-07560	7 - 5	900238-05014	11 - 5
178021-08260	7 - 19	351225-11460	7 - 18A	900241-03008	2 - 43
178049-06630	3 - 6	351312-11461	8 - 8	900241-03010	12 - 12
178054-07560	7 - 10	352325-11460	10 - 7	900241-04030	12 - 24
178103-11460	7 -	357013-00210	3 - 26	900242-04012	3 - 30
178114-05630	3 - 5	370315-11460	8 - 37	900242-04014	4 - 13
178121-11460	11 - 12	370316-11460	8 - 38	900242-04020	6 - 40
178123-07561	7 - 9	433115-12330	8 - 35	900242-05014	10 - 16
178127-11460	7 - 22	433115-35430	8 - 32	900242-05014	10 - 25
178128-22330	7 - 24	696218-06030	8 - 20	900242-05014	1 - 44
178516-07560	7 - 16	699012-03330	8 - 11	900242-05014	6 - 21
200005-06210	6 - 20	880807-11460	10 - 11	900242-05014	6 - 27
200105-06310	6 - 31	880808-11460	10 - 24	900242-05016	10 - 8
200106-11460	6 - 23	880820-11460	10 - 23	900242-05016	7 - 17
200107-06310	6 - 17	880821-11460	9 - 27	900242-05018	10 - 22
200143-11461	6 - 22	880826-11460	10 - 29	900242-05018	1 - 26
200910-06210	6 - 8	889685-11460	8 - 28	900242-05018	6 - 43
200916-03210	6 - 16	889687-11460	8 - 30	900242-05025	1 - 28
210012-11460	6 - 15	890112-11460	10 - 5	900242-05025	3 - 18
210013-11460	10 - 26	890118-04261	9 - 7	900242-05040	1 - 20
210014-11460	11 - 9	890118-04262	9 - 7	900242-05050	3 - 24
210018-11460	11 - 11	895112-00330	11 - 17	900245-04010	7 - 4
210020-11460	6 - 13	895116-00630	11 - 18	900252-05014	6 - 5
210022-11460	6 - 6	895410-02830	11 - 19	900256-04022	7 - 14
210040-11460	11 - 6	898510-39130	11 - 16	900286-05025	6 - 18
210410-11460	10 - 27	900100-05012	10 - 28	900323-03014	1 - 33
210411-11460	6 - 25	900100-05012	9 - 11	900333-70380	6 - 7
210413-11460	6 - 14	900100-05012	9 - 17	900345-30025	4 - 8
210423-11460	9 - 29	900100-06010	5 - 9	900500-00005	6 - 24
210425-04110	6 - 9	900100-06035	8 - 6	900500-00005	8 - 33
215020-11460	9 - 18	900100-08025	10 - 17	900500-00006	7 - 3
220110-11460	11 - 10	900100-10015	8 - 23	900501-00010	6 - 36

Index

Patrs Number	Key No.	Patrs Number	Key No.	Patrs Number	Key No.
900515-00004	8 - 31				
900515-00005	10 - 10				
900515-00005	9 - 13				
900515-00006	6 - 12				
900515-00006	8 - 19				
900560-00006	8 - 7				
900600-00004	2 - 8				
900600-00005	6 - 11				
900600-00008	2 - 47				
900602-00010	6 - 38				
900603-00006	5 - 15				
900603-00006	7 - 11				
900603-00010	8 - 22				
900605-00004	2 - 7				
900605-00005	6 - 10				
900605-00006	5 - 14				
900605-00006	7 - 12				
900605-00010	6 - 37				
900700-00004	2 - 14				
900702-00035	1 - 23				
900810-36202	1 - 32				



YAMABIKO CORPORATION

7-2 SUEHIROCHO 1-CHOME, OHME, TOKYO 198-8760, JAPAN
PHONE: 81-428-32-6118. FAX: 81-428-32-6145.

ECHO[®]



P-10
No.