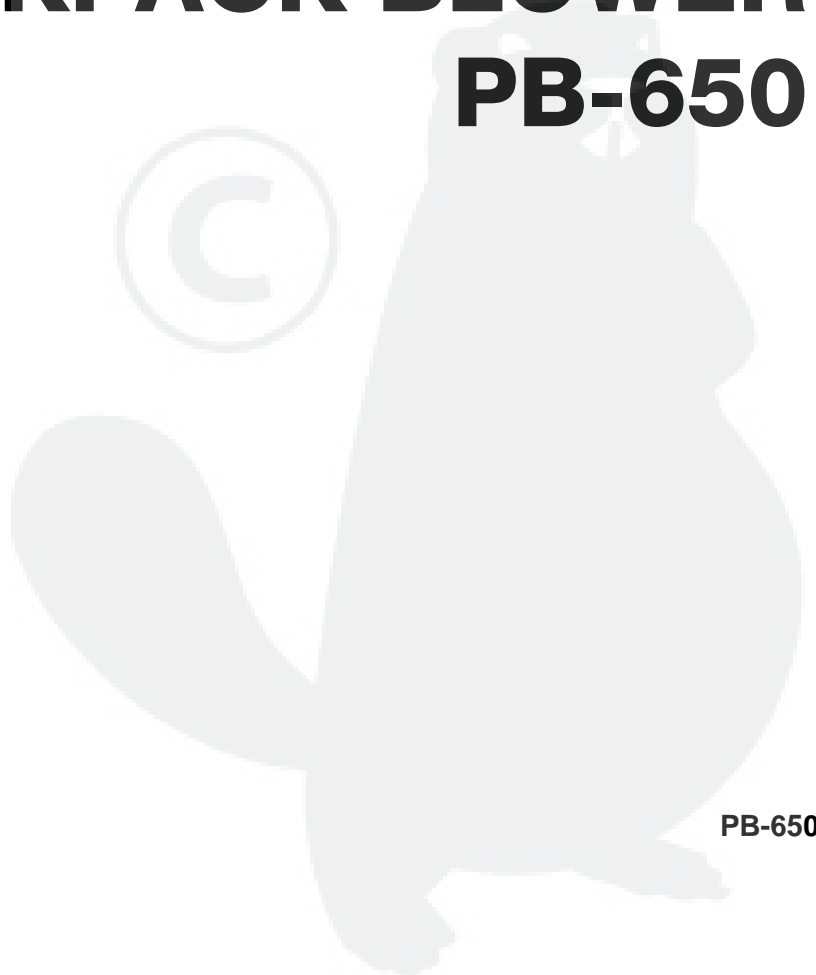
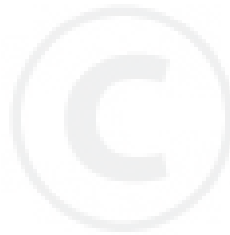




PARTS CATALOG

BACKPACK BLOWER

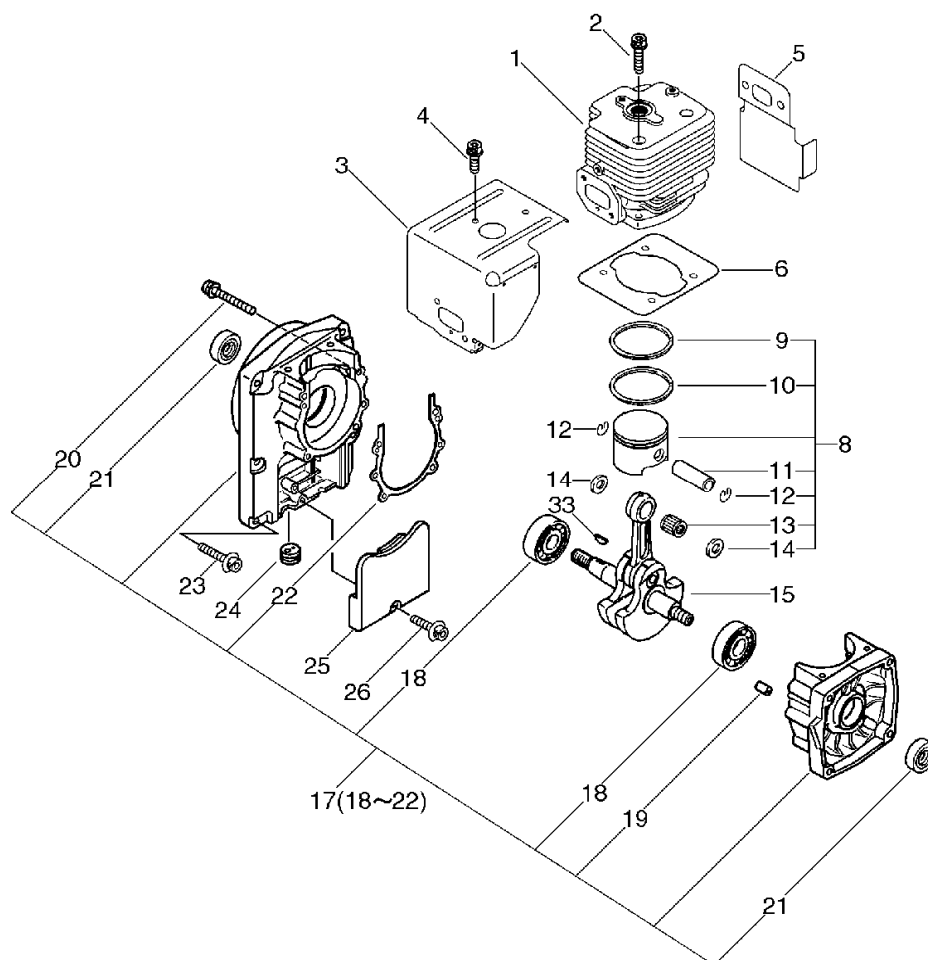
PB-650



PB-650

1. Cylinder, Crankcase, Piston

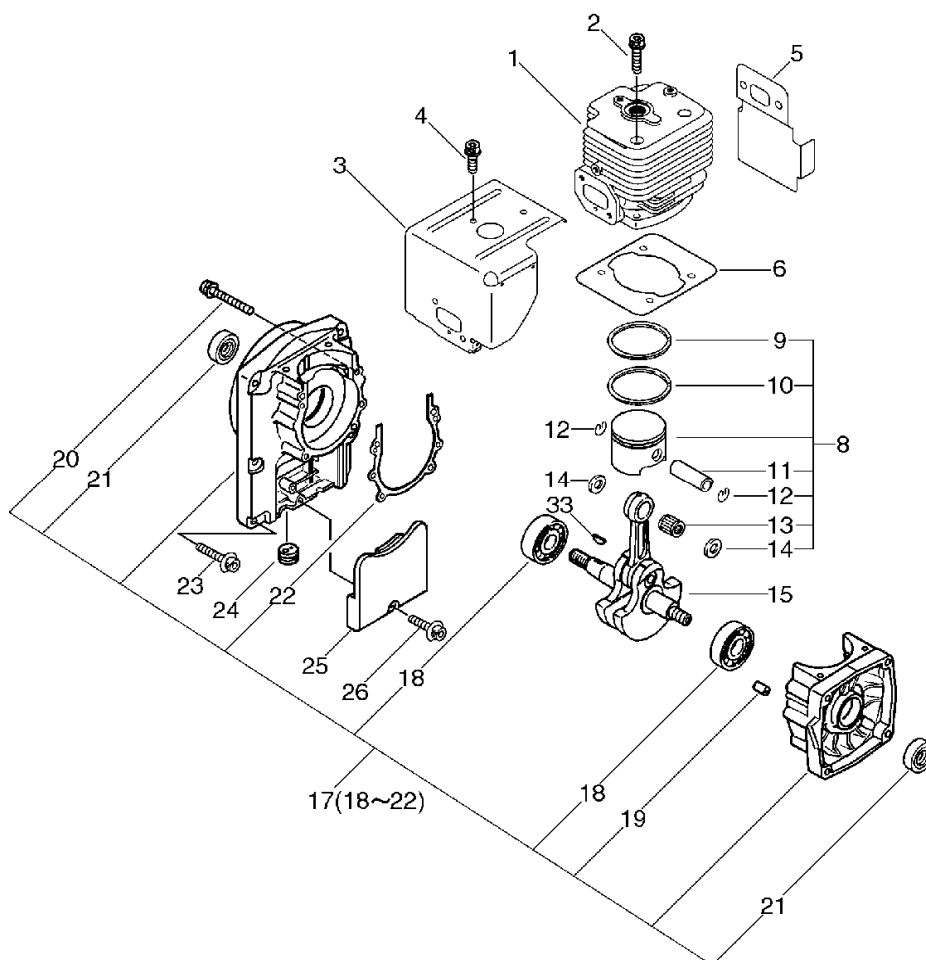
No.1



KEY	LV	PART NUMBER	Q'TY	DESCRIPTION	REMARKS	NOTE1	NOTE2
1		A130-000250	1	CYLINDER		Sus. by A130-000251	
1		A130-000251	1	CYLINDER			
2		900162-05022	4	BOLT, H.S. 5*22	5*22 W,SW	Sus. by 900162-05025	
2		900162-05025	4	BOLT, H.S. 5*25	5*25 W,SW		
3		A160-000340	1	COVER,CYLINDER			
4		900106-05008	2	BOLT, H.S. 5* 8	5*8		
5		V104-000250	1	GASKET,EXHAUST		Sus. by V104-000720	
5		V104-000600	1	GASKET,EXHAUST		Sus. by V104-000720	
5		V104-000720	1	GASKET,EXHAUST			
6		V100-000050	1	GASKET,CYL		Sus. by V100-000051	
6		V100-000051	1	GASKET,CYL			
8		P021-002980	1	PISTON KIT		Sus. by P021-002982	
8		P021-002981	1	PISTON KIT		Sus. by P021-002982	
8		P021-002982	1	PISTON KIT			
9	+	A101-000030	1	RING,PISTON			
10	+	A101-000020	1	RING,PISTON			
11	+	V608-000010	1	PIN,ENG 10	6*10*40		
12	+	100015-00120	2	CIRCLIP, PISTON PIN			
13	+	V555-000010	1	BEARING,NEEDLE 10			

1. Cylinder, Crankcase, Piston

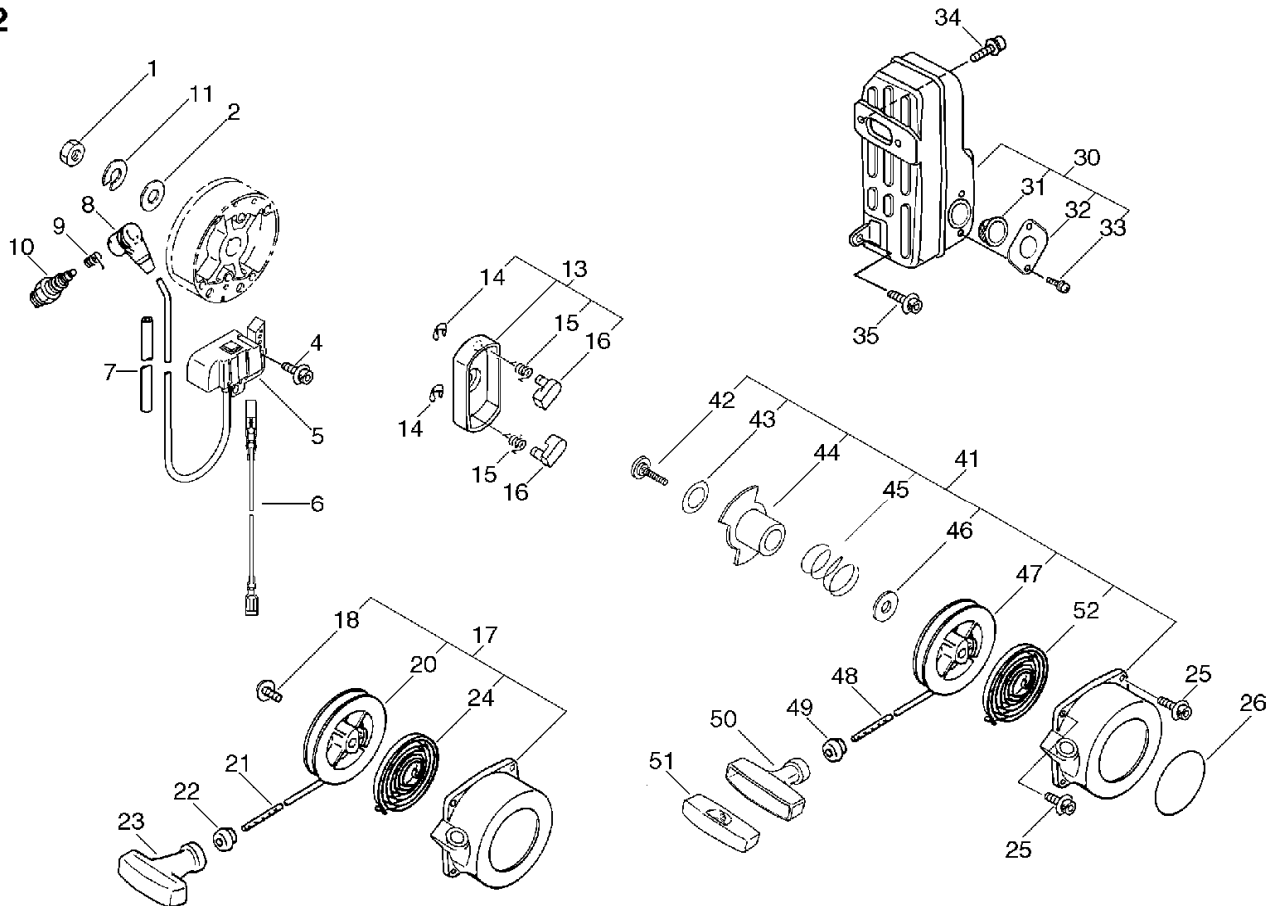
No.1



KEY	LV	PART NUMBER	Q'TY	DESCRIPTION	REMARKS	NOTE1	NOTE2
14	+	V307-000060	2	WASHER,CIRCULAR 10			
15		A011-000140	1	CRANKSHAFT,ASM			
17		P021-002990	1	CRANKCASE KIT			
18	+	94032-36302	2	BEARING BALL	BB-6302		
19	+	100215-03930	2	PIN, DOWEL			
20	+	900162-05035	4	BOLT, H.S. 5*35	5*35 W,SW		
21	+	V508-000010	2	SEAL,OIL 15	ISCD 15*25*7		
22	+	V102-000010	1	GASKET,CRANKCASE			
23		900162-06035	6	BOLT, H.S. 6*35	6*35 W,SW		
24		151112-04630	1	BUSHING			
25		159129-08260	1	COVER, DUST			
26		900162-05018	1	BOLT, H.S. 5*18	5*18 W,SW		
33		900323-03014	1	KEY WOODRUFF	3*14		

2. Starter, Magneto, Muffler

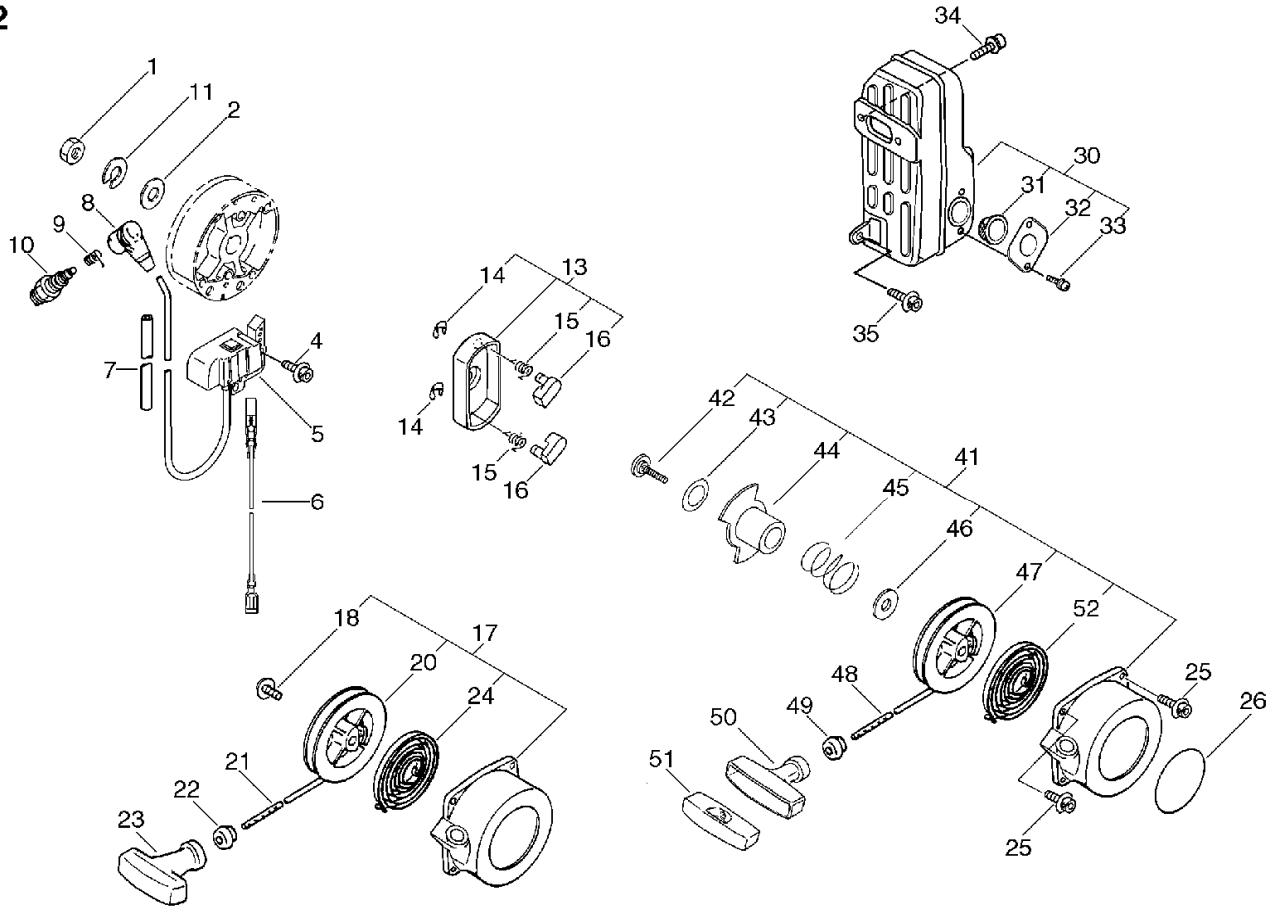
No.2



KEY	LV	PART NUMBER	Q'TY	DESCRIPTION	REMARKS	NOTE1	NOTE2
1		900501-00010	1	NUT 10*1.25	10*P1.25		
2		900602-00010	1	WASHER 10(10.5*21*2)	10.5*21*2		
4		900162-05018	2	BOLT, H.S. 5*18	5*18 W,SW	Sus. by 900162-05022	
4		900162-05022	2	BOLT, H.S. 5*22	5*22 W,SW		
5		A415-000000	1	MODULE,CDI			
6		V485-000190	1	LEAD			
7		156111-06160	1	TUBE 6.3*8*380	6.3*8*380		
8		159012-03433	1	CAP, SPARK PLUG			
9		159011-03432	1	COIL, SPARK PLUG			
10		A425-000000	1	SPARKPLUG	BPMR8Y		
11		900605-00010	1	WASHER, SPRING 10	10		
13		A052-000040	1	PULLEY,ASM STARTER		Sus. by A052-000042	
13		A052-000041	1	PULLEY,ASM STARTER		Sus. by A052-000042	
13		A052-000042	1	PULLEY,ASM STARTER			
14	+	P022-002100	1	E-RING	4	Sus. by P022-002100 QTY:2	
14	+	P022-002100	2	E-RING	4		
15	+	P022-003130	1	SPRING, RETURN		Sus. by P022-003130 QTY:2	
15	+	P022-003130	2	SPRING, RETURN			
16	+	P022-003120	1	PAWL, STARTER		Sus. by P022-003120 QTY:2	
16	+	P022-003120	2	PAWL, STARTER			

2. Starter, Magneto, Muffler

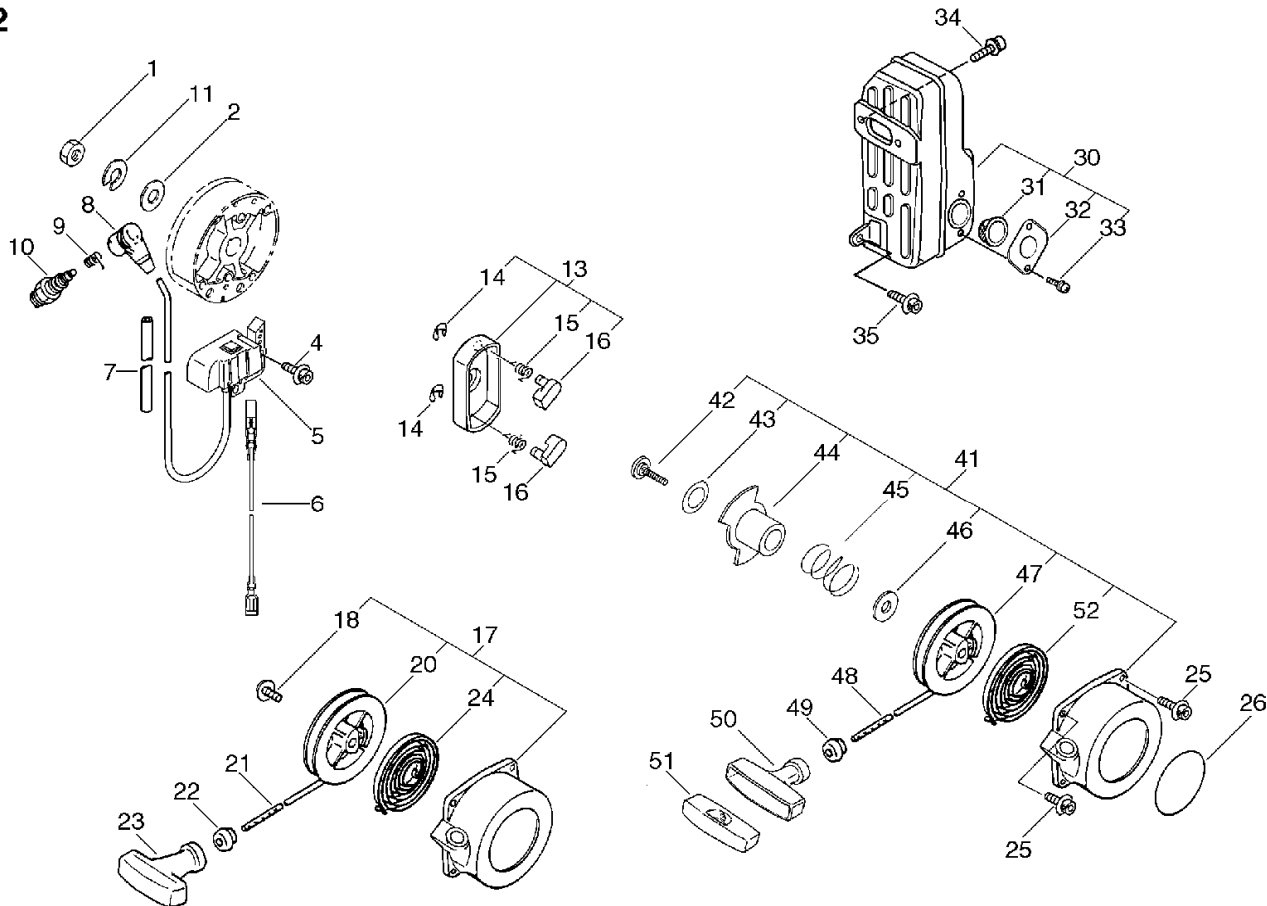
No.2



KEY	LV	PART NUMBER	Q'TY	DESCRIPTION	REMARKS	NOTE1	NOTE2
17		A051-000200	1	STARTER,RECOIL		Sus. by A051-000840	
18	+	177236-06910	1	SCREW		Sr/Nr 36001599 and before	
20	+	P022-002080	1	DRUM, STARTER		Sr/Nr 36001599 and before	
21	+	177226-06310	1	ROPE, STARTER	3.8*1150	Sr/Nr 36001599 and before	
22	+	177227-42030	1	GUIDE, ROPE		Sr/Nr 36001599 and before	
23	+	177228-11620	1	GRIP, STARTER		Sr/Nr 36001599 and before	
24	+	177220-06310	1	SPRING, REWIND		Sr/Nr 36001599 and before	
25		900106-05016	4	BOLT, H.S. 5*16	5*16	Sus. by 900106-05014	
25		900106-05014	4	BOLT, H.S. 5*14	5*14	Sus. by 900106-05016	
25		900106-05016	4	BOLT, H.S. 5*16	5*16		
26		890118-17930	1	LABEL, ECHO			
30		P021-003000	1	MUFFLER ASY			
31	+	A310-000000	1	SCREEN,ARRESTOR			
32	+	A313-000310	1	GUIDE,EXH			
33	+	91367-04010	2	SCREW	4*10/SW(SUS)		
34		91107-06020	2	BOLT HSH FLANGE	M6*20		

2. Starter, Magneto, Muffler

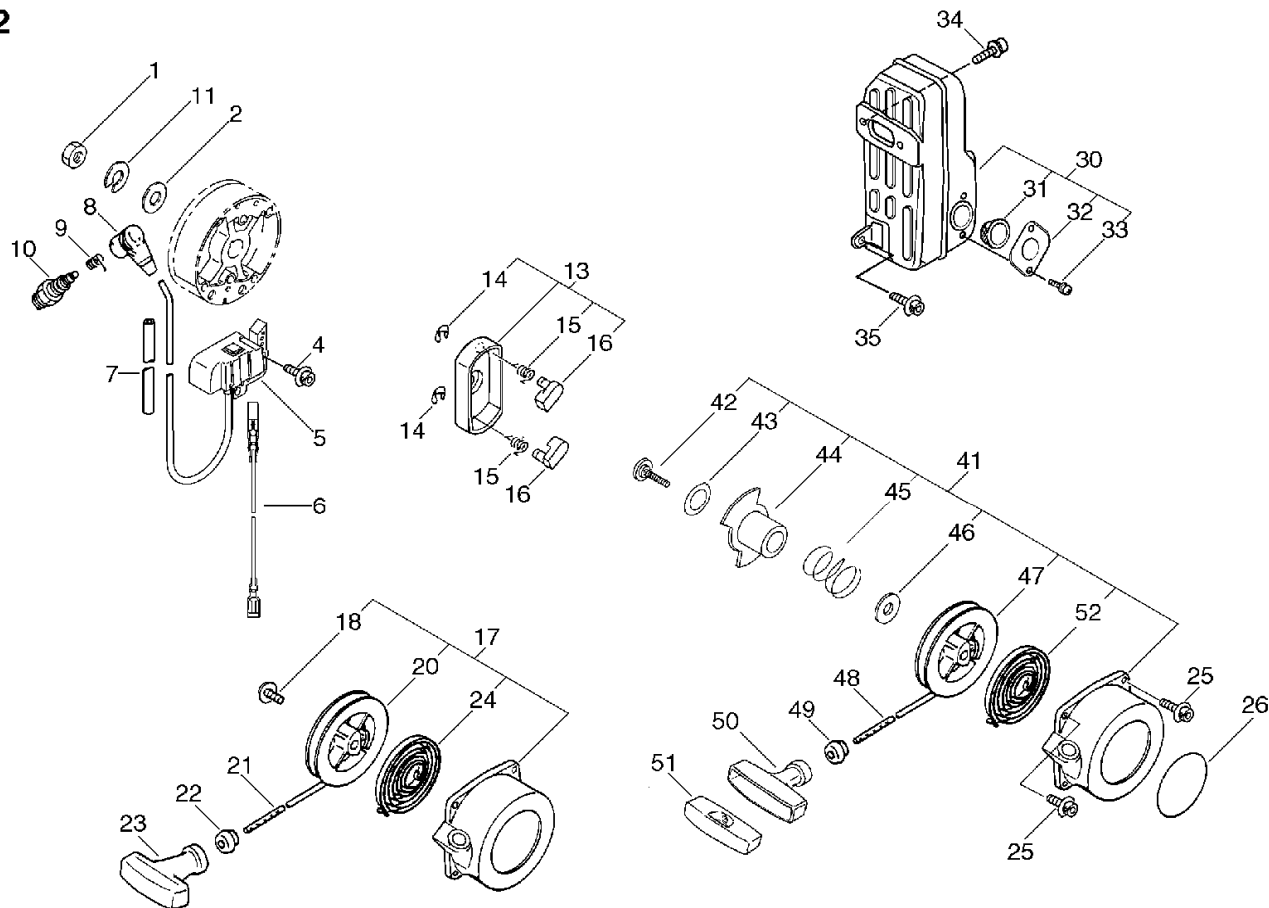
No.2



KEY	LV	PART NUMBER	Q'TY	DESCRIPTION	REMARKS	NOTE1	NOTE2
35		900106-05016	1	BOLT, H.S. 5*16	5*16	Sus. by 900106-05014	
41		A051-000840	1	STARTER, RECOIL		Sus. by A051-000841	
41		A051-000841	1	STARTER, RECOIL			
42	+	177236-61830	1	SCREW		Sr/Nr 36001600 and after	
43	+	P022-010250	1	WASHER, THRUST		Sr/Nr 36001600 and after	
44	+	P022-010220	1	PLATE, FRICTION		Sr/Nr 36001600 and after	
45	+	P022-010230	1	SPRING, FRICTION		Sus. by P022-010231	
45	+	P022-010231	1	SPRING, FRICTION		Sr/Nr 36001600 and after	
46	+	P022-010240	1	WASHER		Sr/Nr 36001600 and after	
47	+	P022-010280	1	DRUM, STARTER		Sr/Nr 36001600 and after	
48	+	P022-010270	1	ROPE		Sr/Nr 36001600 and after	
49	+	177227-42030	1	GUIDE, ROPE		Sr/Nr 36001600 and after	
50	+	177228-11620	1	GRIP, STARTER		Sr/Nr 36001600 and after	

2. Starter, Magneto, Muffler

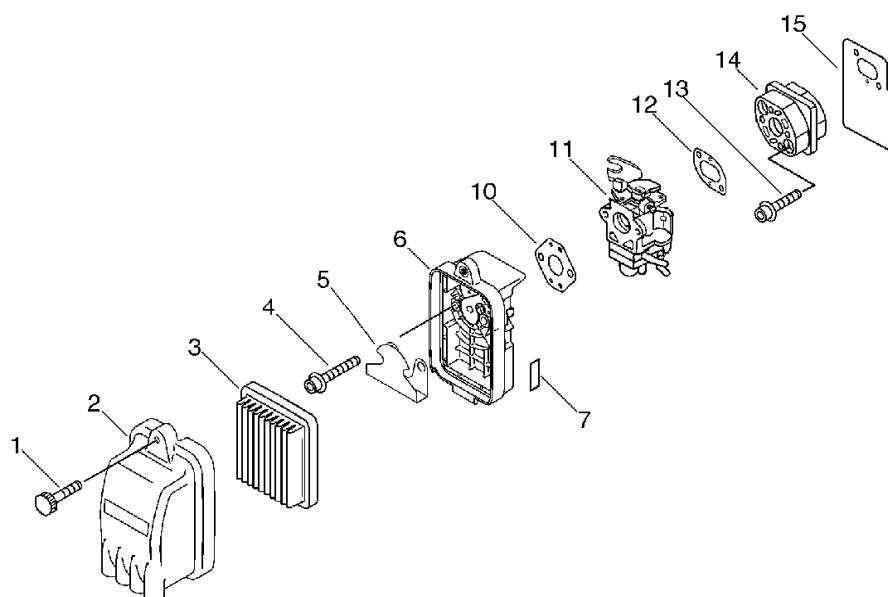
No.2



KEY	LV	PART NUMBER	Q'TY	DESCRIPTION	REMARKS	NOTE1	NOTE2
51	+	P022-010260	1	CAP, GRIP		Sr/Nr 36001600 and after	
52	+	P022-004680	1	SPRING, SPIRAL		Sr/Nr 36001600 and after	

3. Air Cleaner

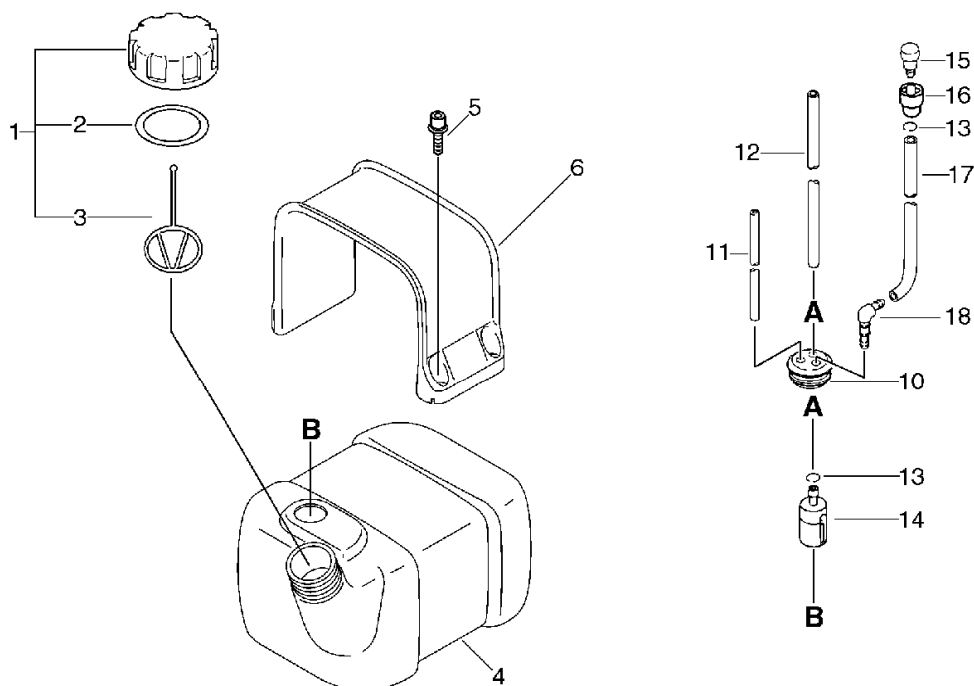
No.3



KEY	LV	PART NUMBER	Q'TY	DESCRIPTION	REMARKS	NOTE1	NOTE2
1		130406-20660	1	THUMB		Sus. by V299-000290	
1		V299-000290	1	KNOB,FASTENER	1 KNOB M5X0.8		
2		A232-000080	1	LID,CLEANER			
3		A226-000031	1	ELEMENT,AIR FILTER			
4		900105-05060	2	BOLT, H.S. 5*60	5*60		
5		129011-08260	1	PLATE		Sus. by A244-000040	
5		A244-000040	1	PLATE,PREVENT			
6		P021-002521	1	CLEANER CASE ASY			
7		890332-52730	1	LABEL, CHOKE			
10		V103-000080	1	GASKET,INTAKE			
11		A021-000310	1	CARBURETOR,DIAPHRAGM	WYK-150	Sus. by A021-000311	
11		A021-000311	1	CARBURETOR,DIAPHRAGM	WYK-150A		
12		V103-000140	1	GASKET,INTAKE			
13		900106-05025	2	BOLT, H.S. 5*25	5*25		
14		A200-000070	1	INSULATOR,INTAKE			
15		V103-000130	1	GASKET,INTAKE			

4. Fuel Tank

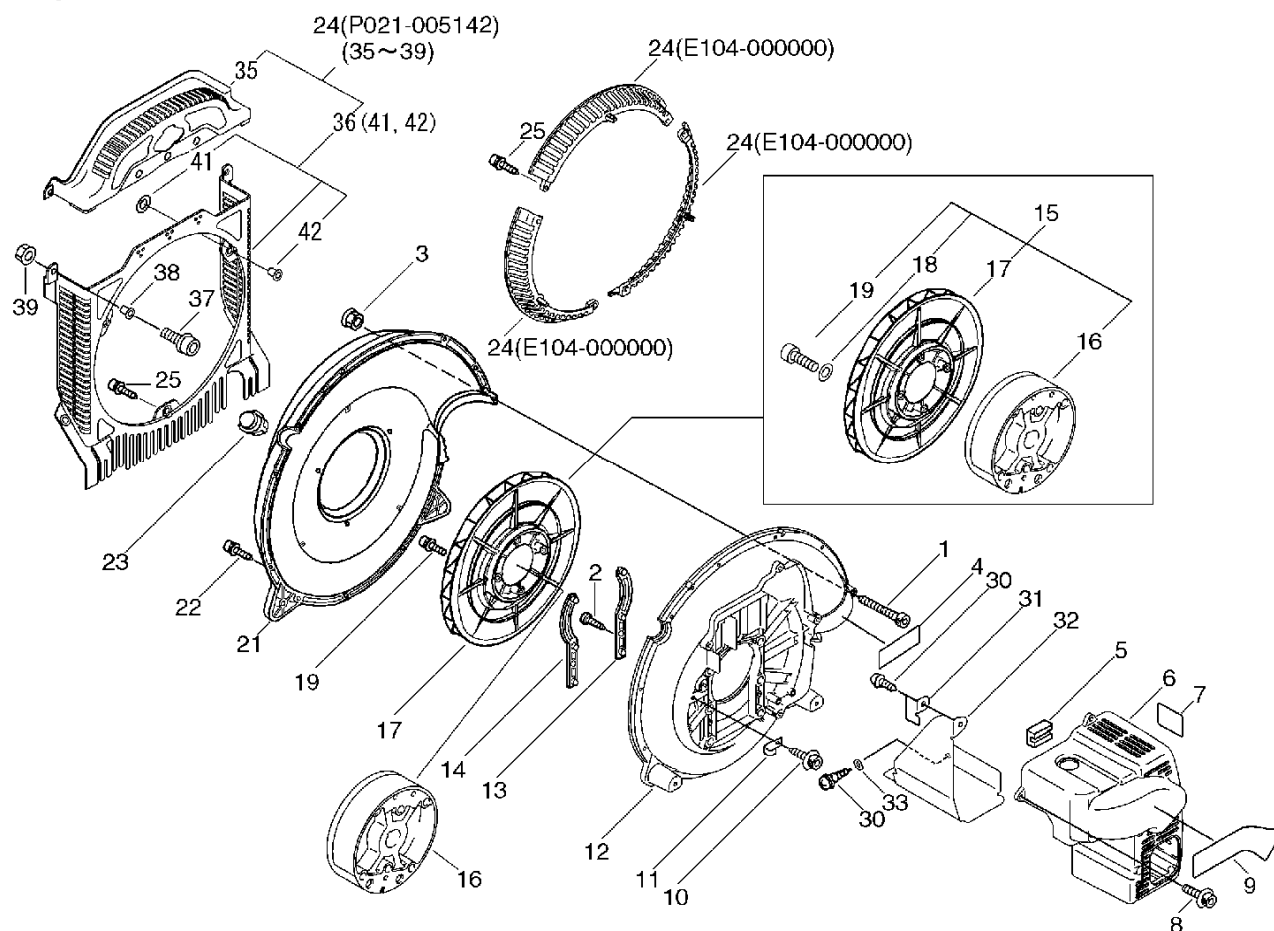
No.4



KEY	LV	PART NUMBER	Q'TY	DESCRIPTION	REMARKS	NOTE1	NOTE2
1		131004-55530	1	CAP ASSY, FUEL TANK			
2	+	131016-55830	1	GASKET, FUEL CAP			
3	+	131051-56030	1	CLIP, FUEL CAP	100L		
4		A350-000150	1	TANK,FUEL		Sus. by A350-000151	
4		A350-000151	1	TANK,FUEL			
5		900106-05020	4	BOLT, H.S. 5*20	5*20	Sus. by 900106-05014	
5		900106-05016	4	BOLT, H.S. 5*16	5*16	Sus. by 900106-05014	
5		900106-05014	4	BOLT, H.S. 5*14	5*14		
6		A392-000000	1	BAND,FUEL TANK			
10		132115-55930	1	GROMMET, FUEL			
11		V471-000550	1	PIPE	3*6*145		
12		132010-35430	1	PIPE 3*6*230	3*6*230		
13		132013-26630	2	CLIP	6.5MM		
14		131205-19830	1	STRAINER, FUEL			
15		131300-56430	1	VALVE, CHECK		Sus. by A356-000030	
15		A356-000030	1	VALVE,CHECK			
16		131328-40630	1	COVER, VENT			
17		V471-000610	1	PIPE	3*6*145		
18		V186-000080	1	JOINT,PIPE			

5. Fan Case

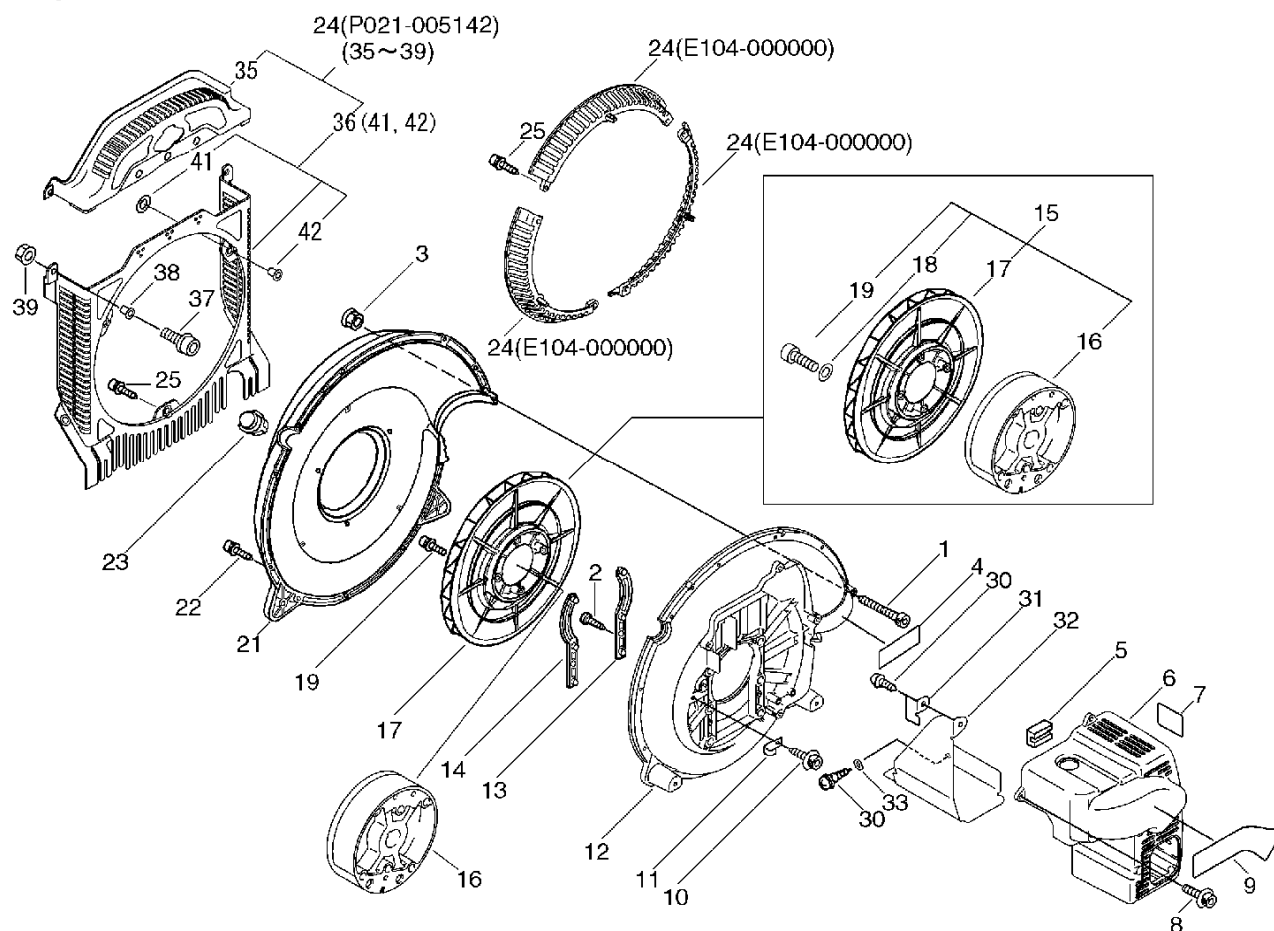
No.5



KEY	LV	PART NUMBER	Q'TY	DESCRIPTION	REMARKS	NOTE1	NOTE2
1		900105-05060	2	BOLT, H.S. 5*60	5*60		
2		900246-05014	2	SCREW 5*14	5*14		
3		900516-00005	2	NUT, FRANGE 5	5		
4		890160-09461	1	LABEL, CAUTION			
5		V420-000570	1	CUSHION			
6		A190-000110	1	COVER,ENGINE		Sus. by A190-000111	
6		A190-000111	1	COVER,ENGINE			
7		890160-06361	1	LABEL, CAUTION			
8		91145-05020	4	BOLT HS TAPPING	5*20		
9		X503-002650	1	LABEL,MODEL		Sus. by X503-002651	
9		X503-002651	1	LABEL,MODEL	PB-650		
10		91145-05016	1	BOLT HS TAPPING	5*16		
11		178111-22330	1	CLIP			
12		E103-000130	1	CASE,FAN		Sus. by E103-000133	
12		E103-000131	1	CASE,FAN		Sus. by E103-000133	
12		E103-000132	1	CASE,FAN		Sus. by E103-000133	
12		E103-000133	1	CASE,FAN			
13		C632-000050	1	PLATE,ENG		Sus. by C632-000051	
13		C632-000051	1	PLATE,ENG		Sr/Nr 36006296 and before	

5. Fan Case

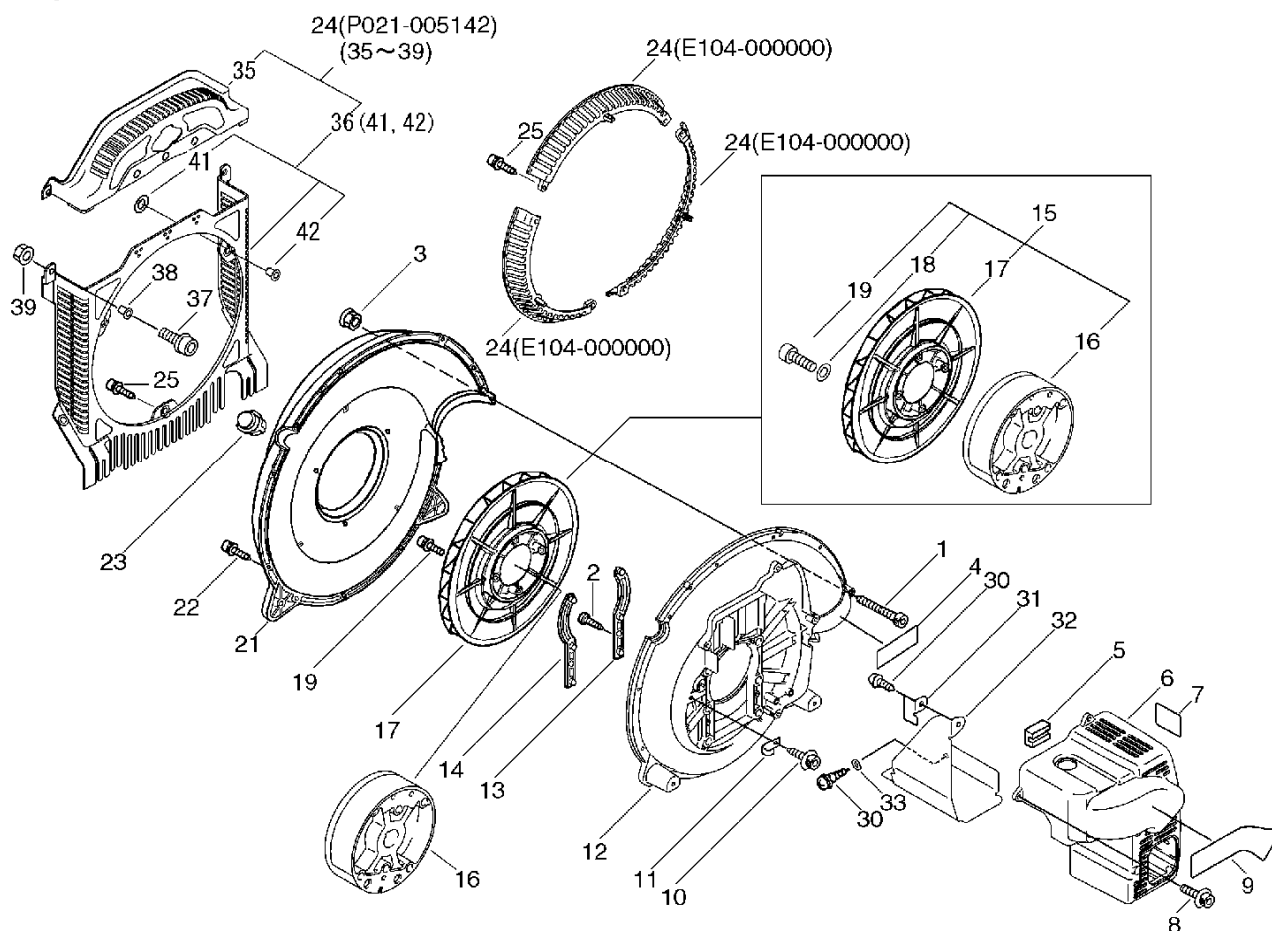
No.5



KEY	LV	PART NUMBER	Q'TY	DESCRIPTION	REMARKS	NOTE1	NOTE2
13		C632-000052	1	PLATE,ENG		Sr/Nr 36006297 and after	
14		C632-000040	1	PLATE,ENG		Sus. by C632- 000041	
14		C632-000041	1	PLATE,ENG		Sr/Nr 36006296 and before	
14		C632-000042	1	PLATE,ENG		Sr/Nr 36006297 and after	
15		P021-009560	1	FAN,BLOWER KIT		Sr/Nr 36002219 and after	
16		A409-000110	1	ROTOR,MAGNETO		Sr/Nr 36002218 and before	
16	+	A409-000250	1	ROTOR, MAGNETO	VAMAG ID C9014	Can be used on the P021-009560	
17		E100-000040	1	FAN,BLOWER		Sr/Nr 36002218 and before	
17	+	E100-000041	1	FAN,BLOWER		Can be used on the P021-009560	
18	+	145642-06230	4	WASHER		Can be used on the P021-009560	
19		900106-05030	4	BOLT, H.S.H. 5*30	5*30	Sr/Nr 36002218 and before	

5. Fan Case

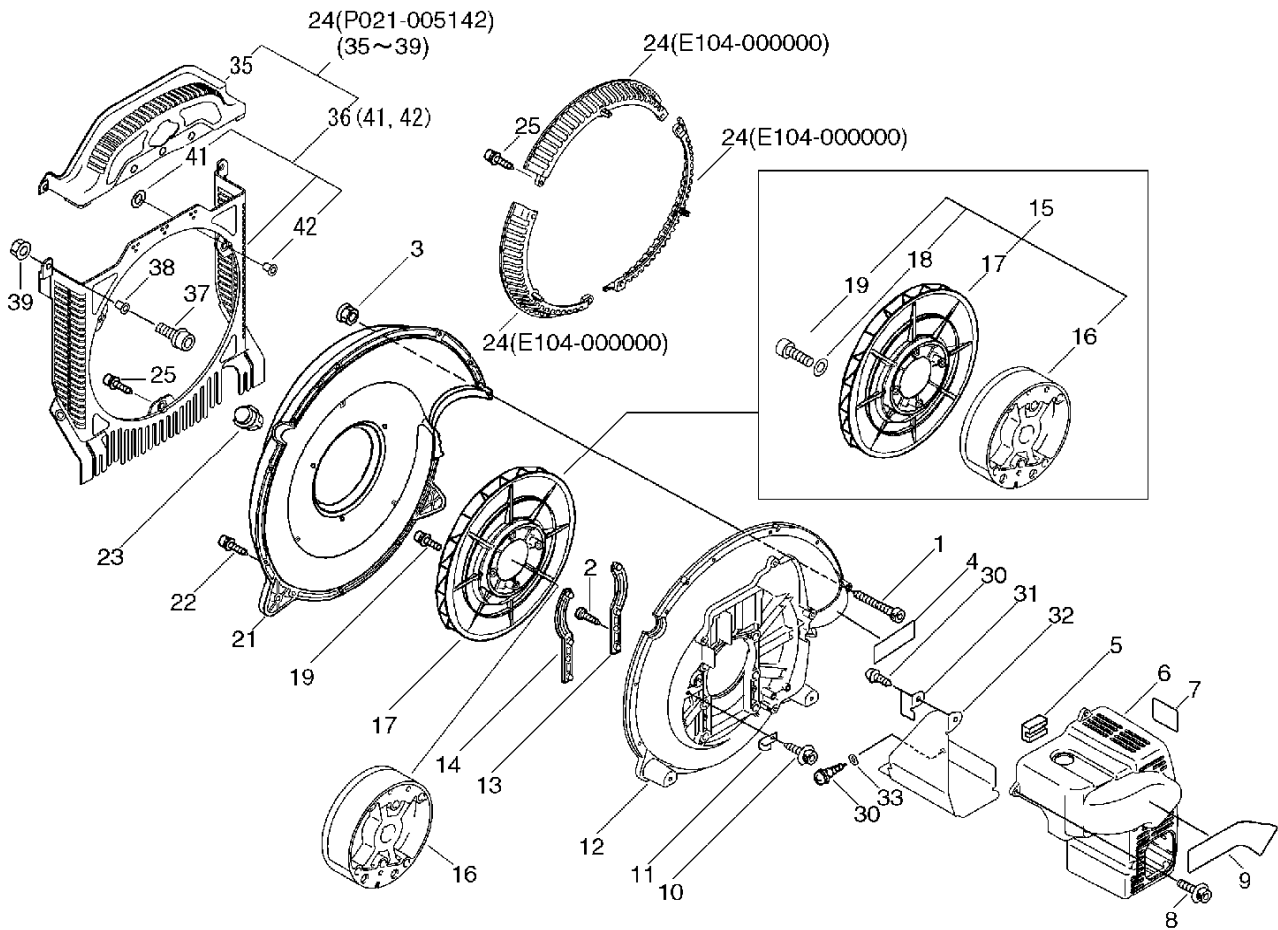
No.5



KEY	LV	PART NUMBER	Q'TY	DESCRIPTION	REMARKS	NOTE1	NOTE2
19	+	900105-06035	4	BOLT, H.S. 6*35	6*35	Can be used on the P021-009560	
21		E103-000140	1	CASE,FAN		Sus. by E103-000141	
21		E103-000141	1	CASE,FAN			
22		91145-05020	12	BOLT HS TAPPING	5*20		
23		E109-000010	1	LID,FANCASE			
24		E104-000000	3	GRID,BLOWER		Sr/Nr 35003140 and before	
24		P021-005140	1	GRID,BLOWER SET		Sus. by P021-005143	
24		P021-005141	1	GRID,BLOWER SET		Sus. by P021-005143	
24		P021-005142	1	GRID,BLOWER SET		Sus. by P021-005143	
24		P021-005143	1	GRID,BLOWER SET		Sr/Nr 35003141 and after	
35	+	E104-000040	1	GRID,BLOWER		Sus. by E104-000041	
35	+	E104-000041	1	GRID,BLOWER		Can not be used on the E104-000000	
36	+	E104-000030	1	GRID,BLOWER		Sus. by P021-005611	

5. Fan Case

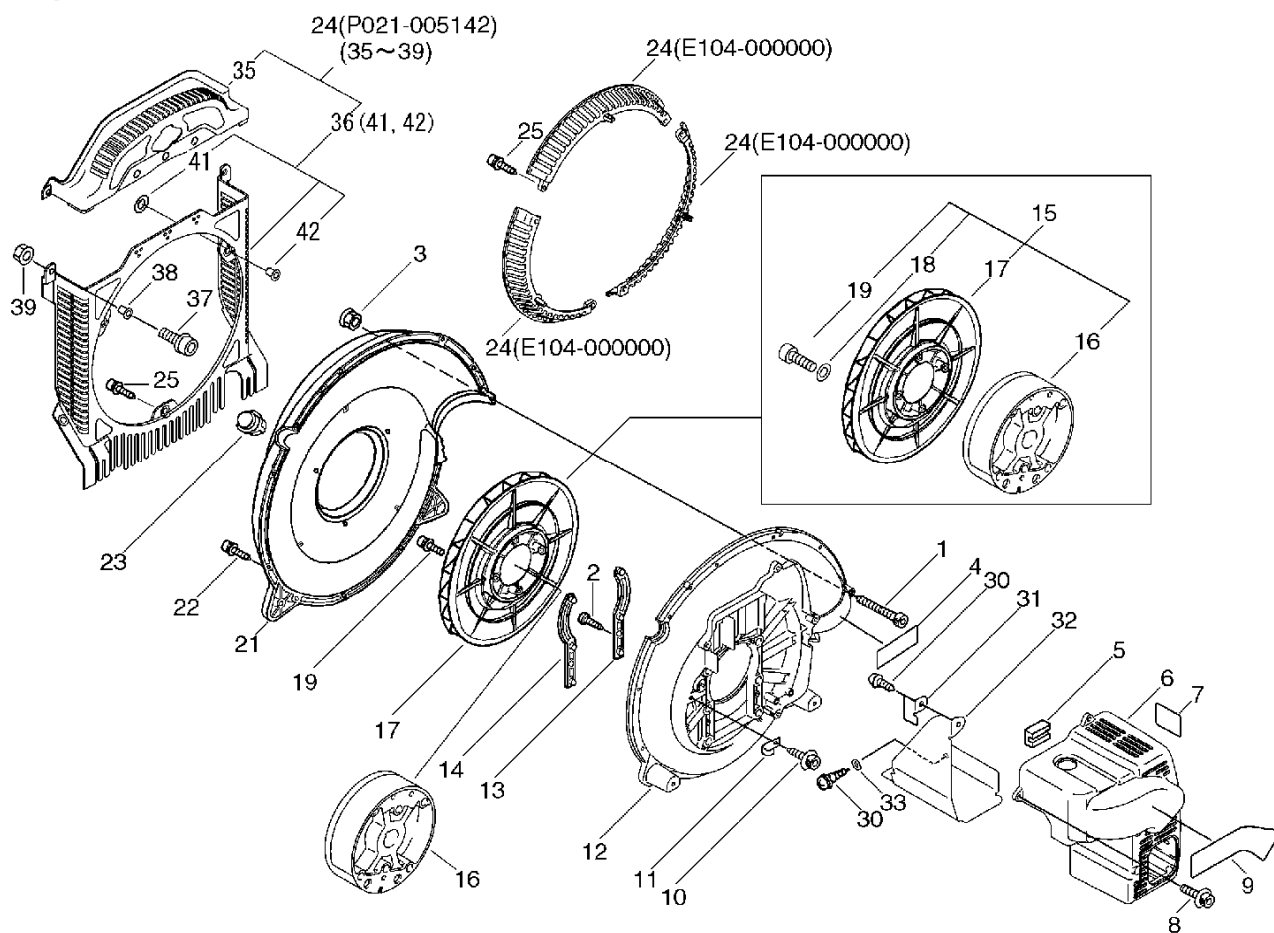
No.5



KEY	LV	PART NUMBER	Q'TY	DESCRIPTION	REMARKS	NOTE1	NOTE2
36	+	P021-005610	1	GRID,BLOWER		Sus. by P021-005611	
36	+	P021-005611	1	GRID,BLOWER SET		Can not be used on the E104-000000	
41	++	613019-07350	2	WASHER 5.5*16*2T	5.5*16*2T	Can not be used on the E104-000000	
42	++	104915-08260	2	SPACER		Can not be used on the E104-000000	
37	+	900106-05020	4	BOLT, H.S. 5*20	5*20	Can not be used on the E104-000000	
38	+	104915-08260	4	SPACER		Can not be used on the E104-000000	
39	+	900516-00005	4	NUT, FRANGE 5	5	Sus. by 9005625-0005	
39	+	9005625-0005	4	LOCKNUT 5		Can not be used on the E104-000000	
25		91145-05020	3	BOLT HS TAPPING	5*20		
30		900253-05010	2	SCREW 5*10	5*10		
31		V152-000770	1	PLATE,ANGLE			
32		A322-000020	1	INSULATOR,MUFFLER			

5. Fan Case

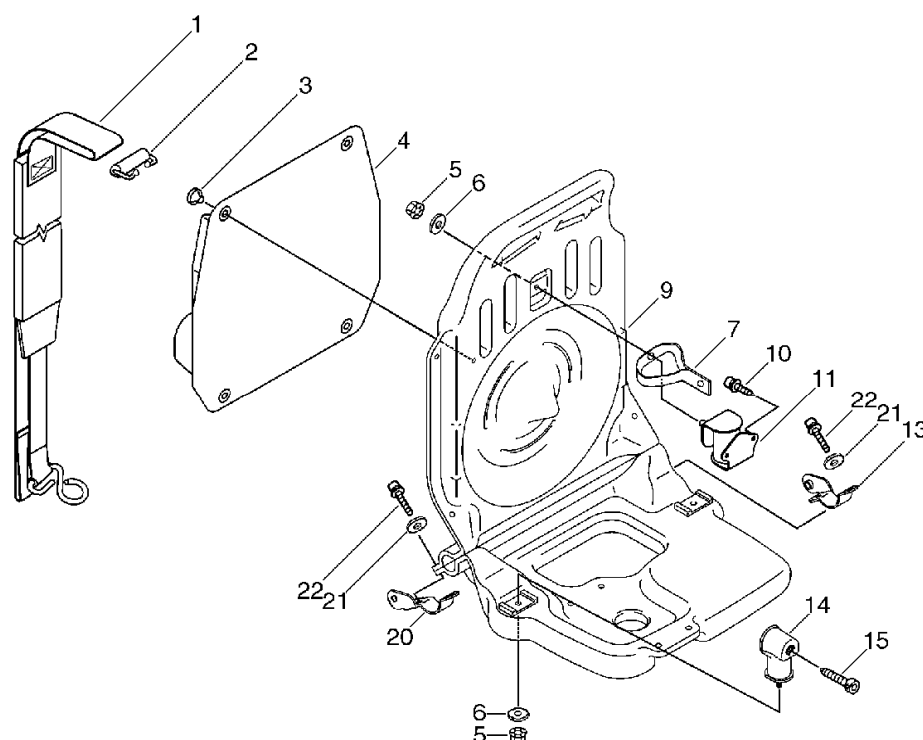
No.5



KEY	LV	PART NUMBER	Q'TY	DESCRIPTION	REMARKS	NOTE1	NOTE2
33		900603-00005	1	WASHER 5	5.5*12*0.8		

6. Harness

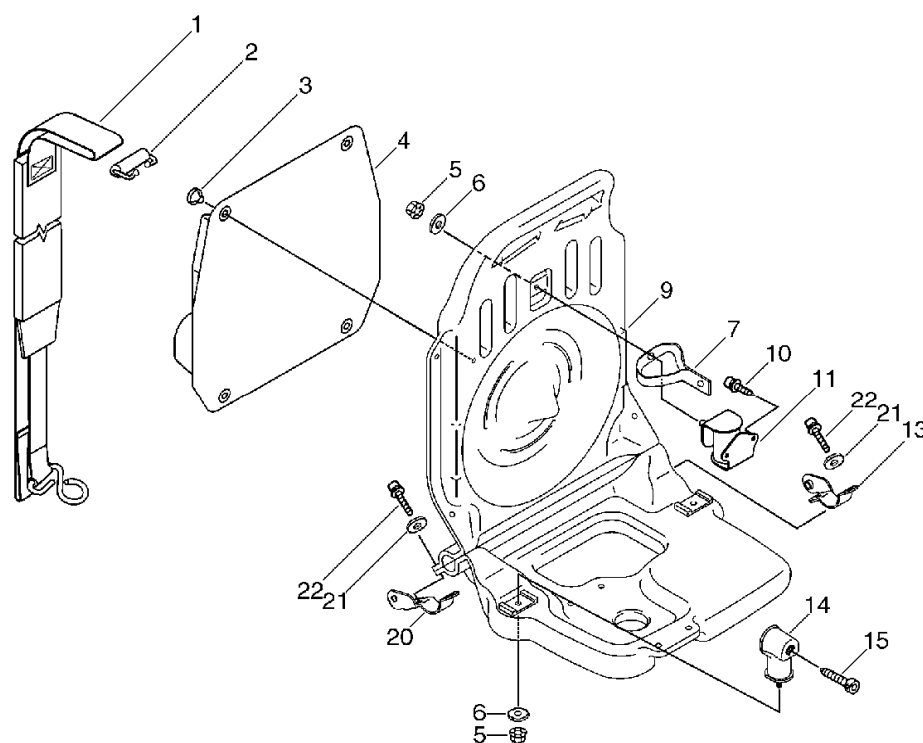
No.6



KEY	LV	PART NUMBER	Q'TY	DESCRIPTION	REMARKS	NOTE1	NOTE2
1		C061-000060	2	HARNESS,ASM BACKPACK		Sus. by C061-000110	
1		C061-000110	2	HARNESS,ASM BACKPACK			
2		V491-000040	2	CLIP			
3		300333-06160	4	CLIP		Sus. by V491-000120	
3		V491-000120	4	CLIP			
4		300105-08260	1	CUSHION, KNAPSACK	BL	Sus. by 300105-08261	
4		300105-08261	1	CUSHION, KNAPSACK			
5		900516-00005	3	NUT, FRANGE 5	5		
6		613019-07350	3	WASHER 5.5*16*2T	5.5*16*2T		
7		C617-000150	1	STOPPER			
9		C066-000000	1	FRAME,ASM BACKPACK		Sus. by C066-000004	
9		C066-000001	1	FRAME,ASM BACKPACK		Sus. by C066-000004	
9		C066-000002	1	FRAME,ASM BACKPACK		Sus. by C066-000004	
9		C066-000003	1	FRAME,ASM BACKPACK		Sus. by C066-000004	
9		C066-000004	1	FRAME,ASM BACKPACK			
10		91145-05016	2	BOLT HS TAPPING	5*16		
11		100905-08260	1	CUSHION		Sus. by 100905-08261	
11		100905-08261	1	CUSHION			

6. Harness

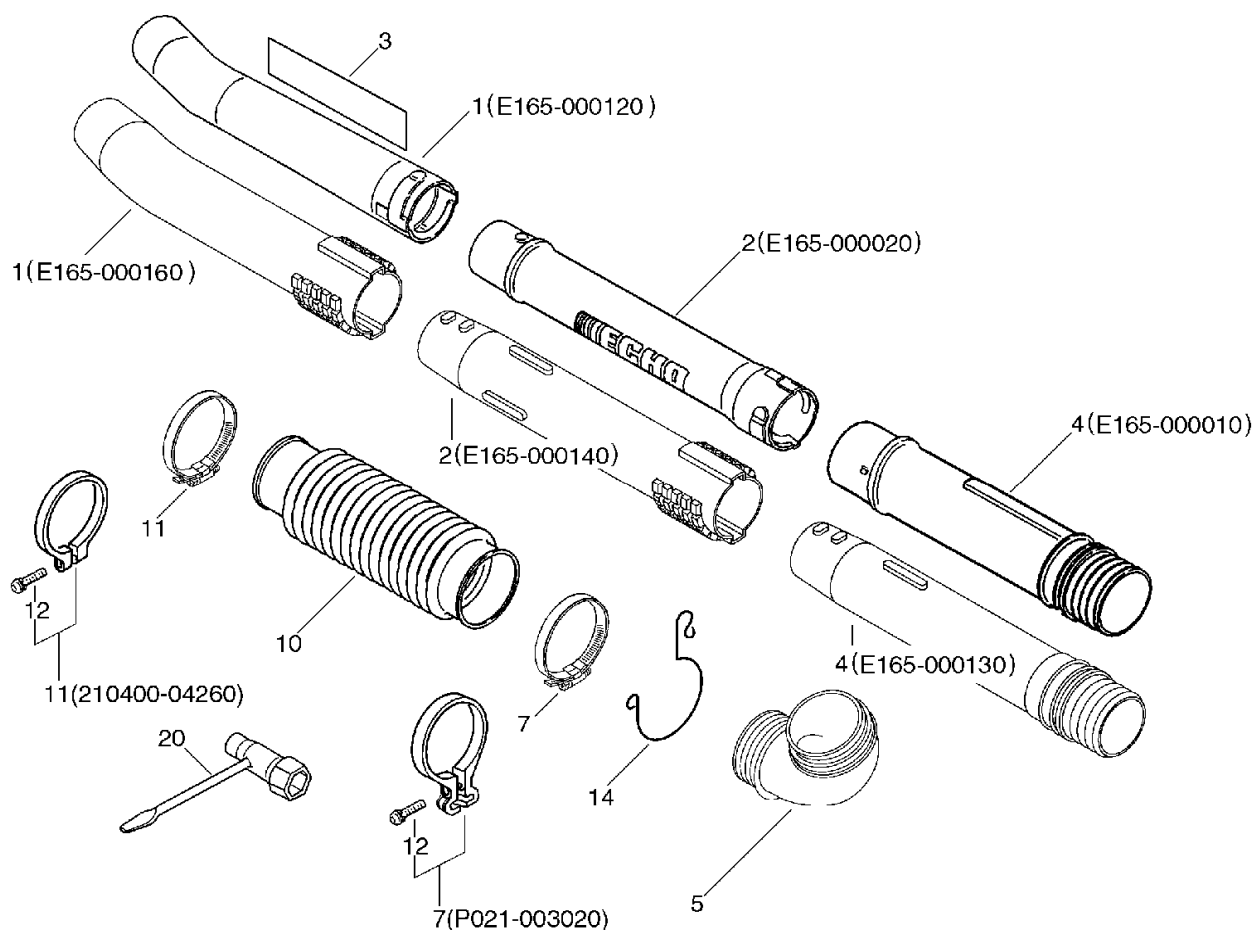
No.6



KEY	LV	PART NUMBER	Q'TY	DESCRIPTION	REMARKS	NOTE1	NOTE2
13		C626-000010	1	FIXTURE,HARNESS			
14		V401-000070	2	CUSHION,5			
15		91145-05016	2	BOLT HS TAPPING	5*16		
20		C626-000030	1	FIXTURE,HARNESS			
21		613019-07350	4	WASHER 5.5*16*2T	5.5*16*2T		
22		900105-05020	4	BOLT, H.S. 5*20	5*20		

7. Pipe, Tool

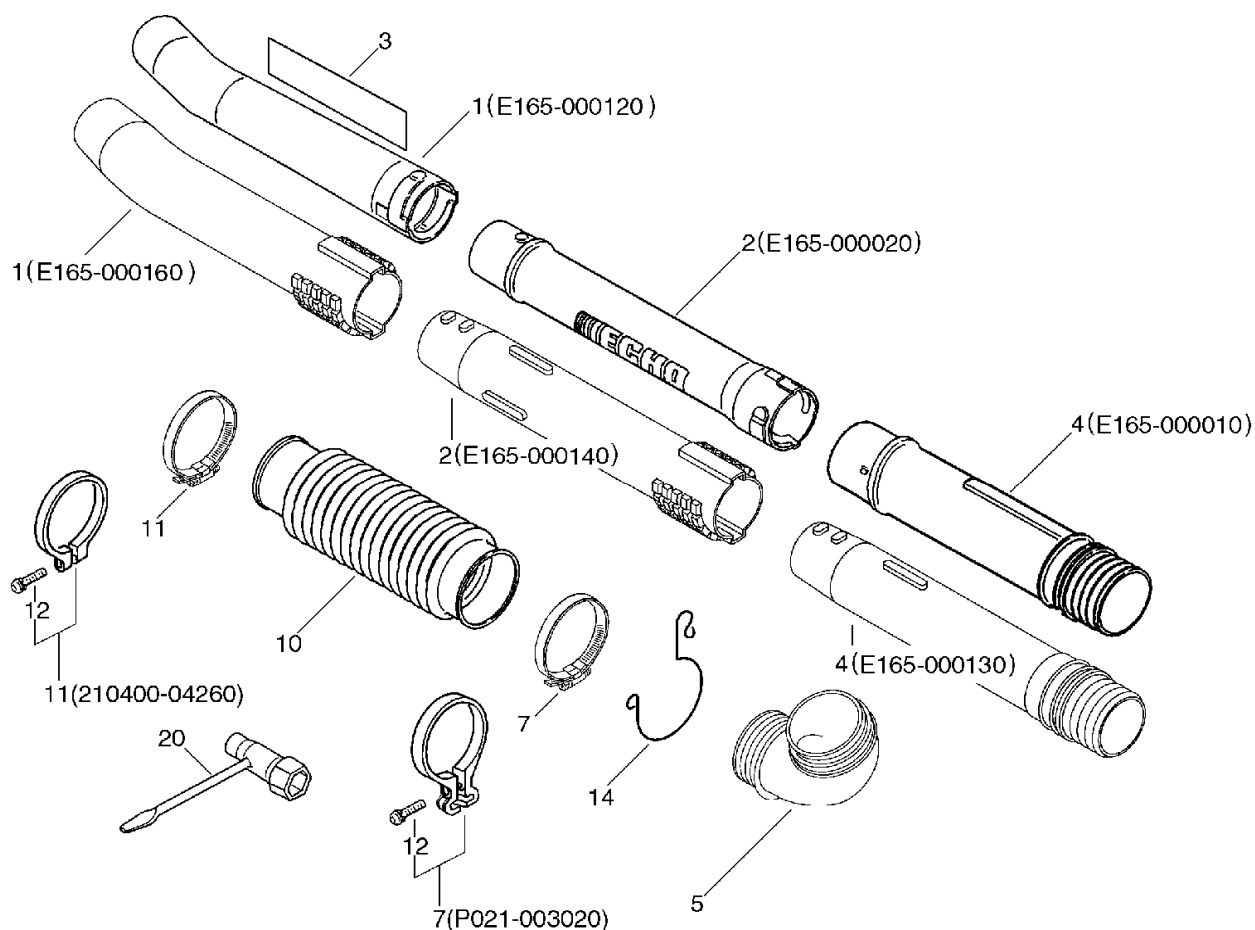
No.7



KEY	LV	PART NUMBER	Q'TY	DESCRIPTION	REMARKS	NOTE1	NOTE2
1		E165-000120	1	PIPE,BLOWER		Sr/Nr 35006224 and before	
1		E165-000160	1	PIPE,BLOWER	418MM*65/79MM	Sr/Nr 35006225 and after	
2		E165-000020	1	PIPE,BLOWER	ECHO	Sr/Nr 35006224 and before	
2		E165-000140	1	PIPE,BLOWER	418MM*73/79MM	Sr/Nr 35006225 and after	
3		X502-000060	2	LABEL,ECHO		Sus. by 890118-04262	
3		890118-04262	2	LABEL, ECHO	194*44		
4		E165-000010	1	PIPE,BLOWER		Sr/Nr 35006224 and before	
4		E165-000130	1	PIPE,BLOWER	362MM*73/84MM	Sr/Nr 35006225 and after	
5		E160-000071	1	PIPE,MAIN		Sus. by E160-000091	
5		E160-000090	1	PIPE,MAIN		Sus. by E160-000091	
5		E160-000091	1	PIPE,MAIN			
7		P021-003020	1	CLAMP W/SCREW		Sus. by V495-000440	
7		V495-000440	1	BAND	77.8MM /101.6MM		
12	+	900235-05025	1	SCREW 5*25	5*25	Sus. by V495-000440	

7. Pipe, Tool

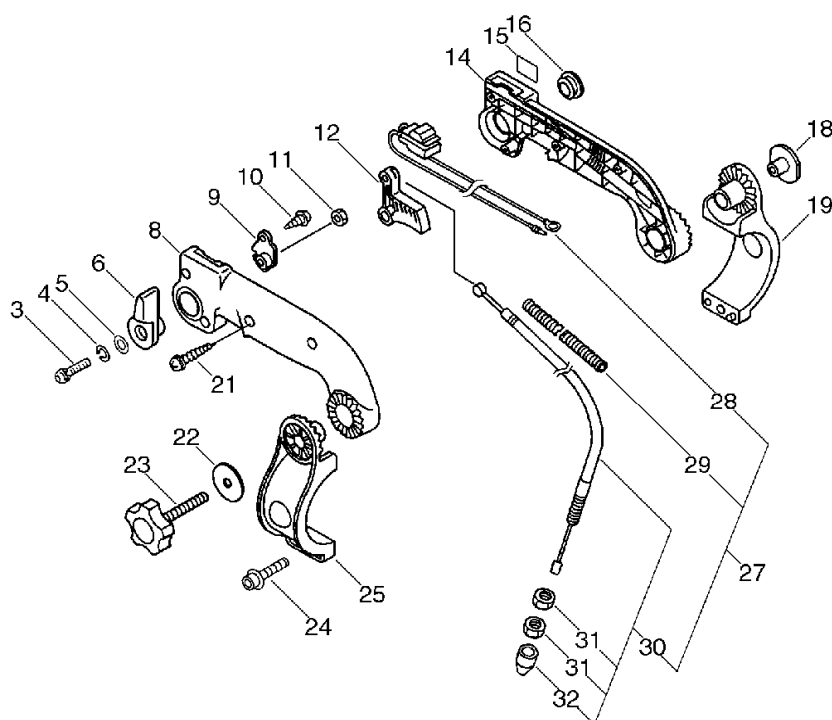
No.7



KEY	LV	PART NUMBER	Q'TY	DESCRIPTION	REMARKS	NOTE1	NOTE2
10		E164-000030	1	PIPE,FLEXIBLE		Sus. by E164-000051	
10		E164-000050	1	PIPE,FLEXIBLE		Sus. by E164-000051	
10		E164-000051	1	PIPE,FLEXIBLE			
11		210400-04260	1	CLAMP W/SCREW		Sus. by V495-000430	
11		V495-000430	1	BAND	58.7MM / 82.5MM		
12	+	900235-05025	1	SCREW 5*25	5*25	Sus. by V495-000430	
14		V490-000230	1	CLIP			
20		895410-03930	1	WRENCH, W/S. DRIVER			

8. Throttle

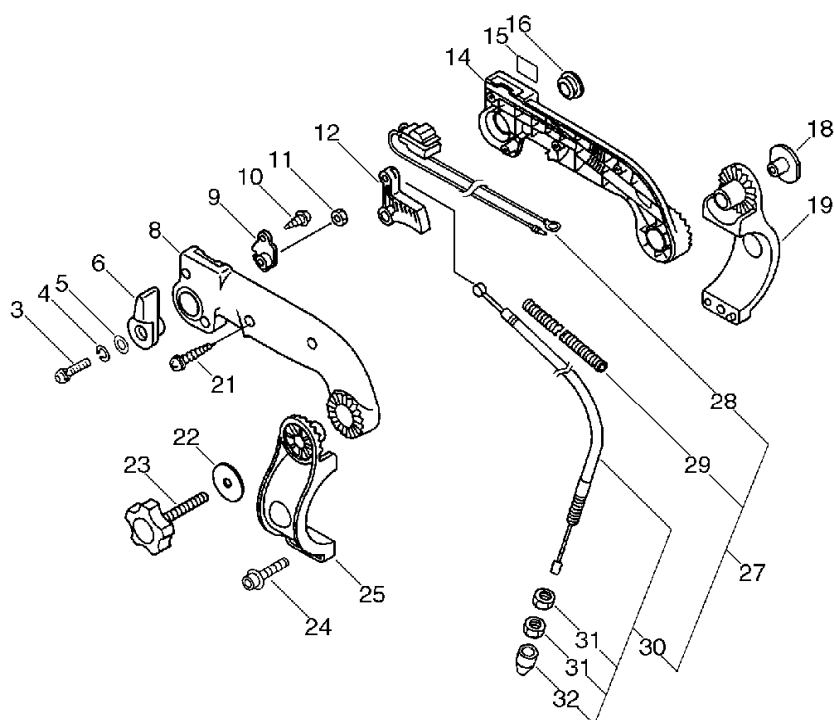
No.8



KEY	LV	PART NUMBER	Q'TY	DESCRIPTION	REMARKS	NOTE1	NOTE2
3		900235-06020	1	SCREW 6*20	6*20		
4		900605-00006	1	WASHER, SPRING 6	6		
5		900603-00006	1	WASHER 6	6.5*13*1		
6		178054-07560	1	CONTRTOL, THROTTLE			
8		351315-07560	1	HANDLE, FRONT			
9		178123-07561	1	BRACKET, THROTTLE			
10		900245-04010	1	SCREW 4*10	4*10		
11		900500-00006	1	NUT 6	6		
12		178010-07560	1	CONTROL, THROTTLE		Sus. by 178010-07561	
12		178010-07561	1	CONTROL, THROTTLE			
14		351311-07560	1	HANDLE, FRONT			
15		890157-06560	1	LABEL, SWITCH			
16		351146-07560	1	PLUG			
18		178021-08260	1	NUT, THROTTLE ROD			
19		C405-000030	1	BRACKET,HANDLE			
21		900256-04022	4	SCREW 4*22	4*22		
22		178516-07560	1	WASHER 6			
23		305812-08260	1	KNOB, FASTENER			
24		91145-05020	1	BOLT HS TAPPING	5*20		
25		C405-000020	1	BRACKET,HANDLE			
27		V043-000000	1	CABLE,ASM CONTROL		Sus. by V043-000040	
27		V043-000040	1	CABLE ASY, CONTROL			
28	+	A440-000350	1	SWITCH,ON OFF		Sus. by A440-000660	

8. Throttle

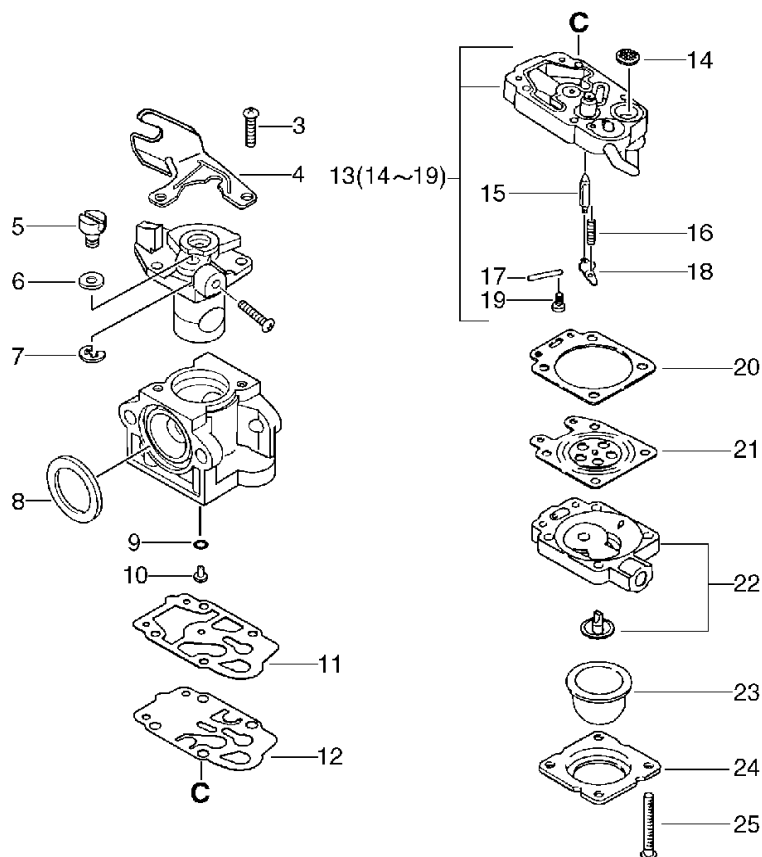
No.8



KEY	LV	PART NUMBER	Q'TY	DESCRIPTION	REMARKS	NOTE1	NOTE2
28	+	A440-000660	1	SWITCH, ON OFF			
29	+	V475-002100	1	TUBE		Sus. by V475-003210	
29	+	V475-003210	1	TUBE	7*10*860		
30	+	V430-000450	1	CABLE, BOWDEN			
31	++	900503-00006	2	NUT (3N 6*0.75)	3N 6*0.75		
32	++	V494-000080	1	CAP			

9. Carburetor

No.9



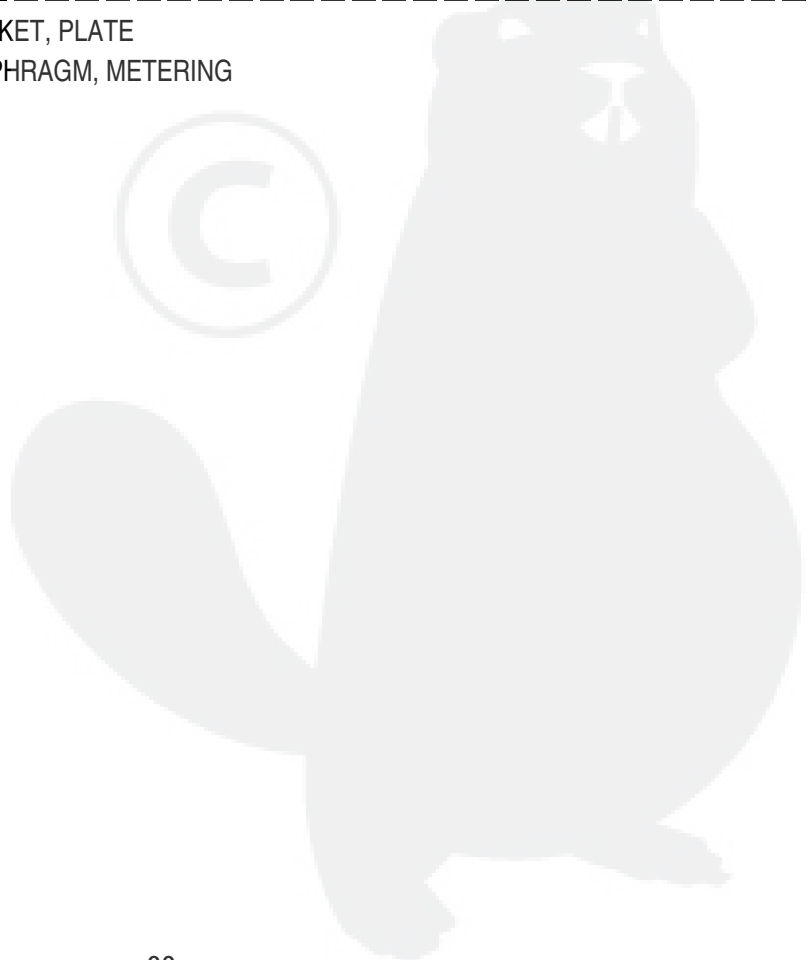
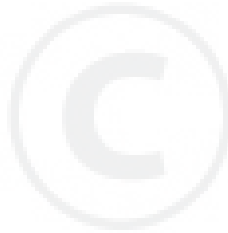
KEY	LV	PART NUMBER	Q'TY	DESCRIPTION	REMARKS	NOTE1	NOTE2
		A021-000310	1	CARBURETOR,DIAPHRAGM	WYK-150	Sus. by A021-000311	
		A021-000311	1	CARBURETOR,DIAPHRAGM	WYK-150A		
3	+	123114-40630	2	SCREW			
4	+	P003-000180	1	BRACKET CABLE			
5	+	123172-45130	1	SWIVEL			
6	+	123149-54230	1	WASHER			
7	+	123173-07930	1	CLIP			
8	+	123143-12110	1	RING, PACKING			
9	+	123183-40630	1	O-RING			
10	+	P003-000640	1	JET			
11	+	123125-40630	1	GASKET, PUMP			
12	+	123112-40630	1	DIAPHRAGM, PUMP			
13	+	P003-000630	1	BODY ASSEMBLY, PUMP			
14	++	123126-10631	1	SCREEN, INLET			
15	++	123137-19830	1	VALVE, INLET NEEDLE			
16	++	123122-05560	1	SPRING, METER. LEVER			
17	++	123138-03930	1	PIN, METERING LEVER			
18	++	123123-03930	1	LEVER, METERING			
19	++	123139-05560	1	SCREW, M. LEVER PIN			
20	+	123140-05560	1	GASKET, M. DIAPHRAGM			
21	+	P003-000090	1	METERING, DIAPHRAGM			
22	+	123180-05560	1	BODY, AIR PURGE			
23	+	123181-40630	1	PUMP, PRIMER			
24	+	123142-05560	1	COVER, PRIMER PUMP			
25	+	123110-05560	4	SCREW, PUMP COVER			

10. Repair Kit

KEY	LV	PART NUMBER	Q'TY	DESCRIPTION	REMARKS	NOTE1	NOTE2
		P003-000650	1	GASKET/DIAPHRAGM KIT	D21-WYK		
9-8	+	123143-12110	1	RING, PACKING			
9-11	+	123125-40630	1	GASKET, PUMP			
9-12	+	123112-40630	1	DIAPHRAGM, PUMP			
9-20	+	123140-05560	1	GASKET, M. DIAPHRAGM			
	+	123183-54230	1	O-RING			
	+	123183-12110	1	O-RING			
	+	123143-12210	1	RING, PACKING			
	+	123183-05960	1	O-RING			
	+	123140-02960	1	GASKET, M. DIAPHRAGM			
	+	123159-40630	1	GASKET, PLATE			
	+	123141-03930	1	DIAPHRAGM, METERING			
		P003-000660	1	REPAIR KIT	K21-WYK		
9-8	+	123143-12110	1	RING, PACKING			
9-11	+	123125-40630	1	GASKET, PUMP			
9-12	+	123112-40630	1	DIAPHRAGM, PUMP			
9-14	+	123126-10631	1	SCREEN, INLET			
9-15	+	123137-19830	1	VALVE, INLET NEEDLE			
9-17	+	123138-03930	1	PIN, METERING LEVER			
9-18	+	123123-03930	1	LEVER, METERING			
9-20	+	123140-05560	1	GASKET, M. DIAPHRAGM			
	+	123183-54230	1	O-RING			
	+	123183-12110	1	O-RING			
	+	123143-12210	1	RING, PACKING			
	+	123183-05960	1	O-RING			
	+	123140-02960	1	GASKET, M. DIAPHRAGM			

10. Repair Kit

KEY	LV	PART NUMBER	Q'TY	DESCRIPTION	REMARKS	NOTE1	NOTE2
	+	123159-40630	1	GASKET, PLATE			
	+	123141-03930	1	DIAPHRAGM, METERING			



Index

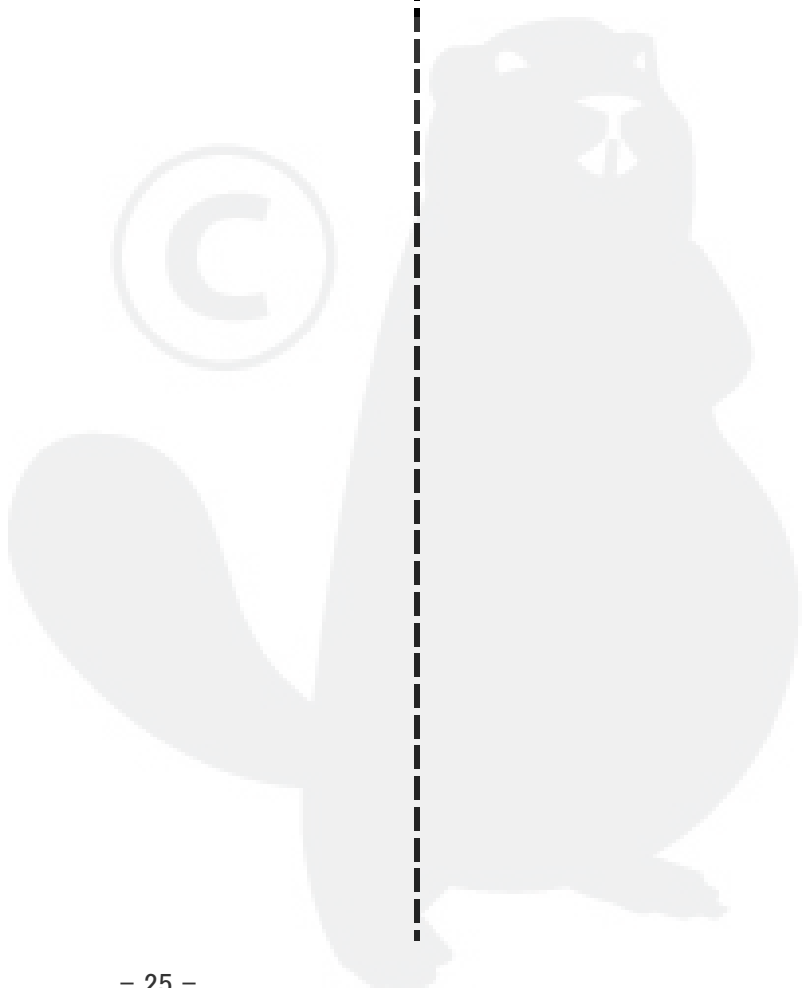
Patrs Number	Key No.	Patrs Number	Key No.	Patrs Number	Key No.
100015-00120	1 - 12	123183-54230	10 -	890160-09461	5 - 4
100215-03930	1 - 19	123183-54230	10 -	890332-52730	3 - 7
100905-08260	6 - 11	129011-08260	3 - 5	895410-03930	7 - 20
100905-08261	6 - 11	130406-20660	3 - 1	900105-05020	6 - 22
104915-08260	5 - 42	131004-55530	4 - 1	900105-05060	3 - 4
104915-08260	5 - 38	131016-55830	4 - 2	900105-05060	5 - 1
123110-05560	9 - 25	131051-56030	4 - 3	900105-06035	5 - 19
123112-40630	10 - 9-12	131205-19830	4 - 14	900106-05008	1 - 4
123112-40630	10 - 9-12	131300-56430	4 - 15	900106-05014	2 - 25
123112-40630	9 - 12	131328-40630	4 - 16	900106-05014	4 - 5
123114-40630	9 - 3	132010-35430	4 - 12	900106-05016	2 - 25
123122-05560	9 - 16	132013-26630	4 - 13	900106-05016	2 - 25
123123-03930	10 - 9-18	132115-55930	4 - 10	900106-05016	2 - 35
123123-03930	9 - 18	145642-06230	5 - 18	900106-05016	4 - 5
123125-40630	10 - 9-11	151112-04630	1 - 24	900106-05020	4 - 5
123125-40630	10 - 9-11	156111-06160	2 - 7	900106-05020	5 - 37
123125-40630	9 - 11	159011-03432	2 - 9	900106-05025	3 - 13
123126-10631	10 - 9-14	159012-03433	2 - 8	900106-05030	5 - 19
123126-10631	9 - 14	159129-08260	1 - 25	900162-05018	1 - 26
123137-19830	10 - 9-15	177220-06310	2 - 24	900162-05018	2 - 4
123137-19830	9 - 15	177226-06310	2 - 21	900162-05022	1 - 2
123138-03930	10 - 9-17	177227-42030	2 - 22	900162-05022	2 - 4
123138-03930	9 - 17	177227-42030	2 - 49	900162-05025	1 - 2
123139-05560	9 - 19	177228-11620	2 - 23	900162-05035	1 - 20
123140-02960	10 -	177228-11620	2 - 50	900162-06035	1 - 23
123140-02960	10 -	177236-06910	2 - 18	900235-05025	7 - 12
123140-05560	10 - 9-20	177236-61830	2 - 42	900235-05025	7 - 12
123140-05560	10 - 9-20	178010-07560	8 - 12	900235-06020	8 - 3
123140-05560	9 - 20	178010-07561	8 - 12	900245-04010	8 - 10
123141-03930	10 -	178021-08260	8 - 18	900246-05014	5 - 2
123141-03930	10 -	178054-07560	8 - 6	900253-05010	5 - 30
123142-05560	9 - 24	178111-22330	5 - 11	900256-04022	8 - 21
123143-12110	10 - 9-8	178123-07561	8 - 9	900323-03014	1 - 33
123143-12110	10 - 9-8	178516-07560	8 - 22	900500-00006	8 - 11
123143-12110	9 - 8	210400-04260	7 - 11	900501-00010	2 - 1
123143-12210	10 -	300105-08260	6 - 4	900503-00006	8 - 31
123143-12210	10 -	300105-08261	6 - 4	900516-00005	5 - 3
123149-54230	9 - 6	300333-06160	6 - 3	900516-00005	5 - 39
123159-40630	10 -	305812-08260	8 - 23	900516-00005	6 - 5
123159-40630	10 -	351146-07560	8 - 16	9005625-0005	5 - 39
123172-45130	9 - 5	351311-07560	8 - 14	900602-00010	2 - 2
123173-07930	9 - 7	351315-07560	8 - 8	900603-00005	5 - 33
123180-05560	9 - 22	613019-07350	5 - 41	900603-00006	8 - 5
123181-40630	9 - 23	613019-07350	6 - 6	900605-00006	8 - 4
123183-05960	10 -	613019-07350	6 - 21	900605-00010	2 - 11
123183-05960	10 -	890118-04262	7 - 3	91107-06020	2 - 34
123183-12110	10 -	890118-17930	2 - 26	91145-05016	5 - 10
123183-12110	10 -	890157-06560	8 - 15	91145-05016	6 - 10
123183-40630	9 - 9	890160-06361	5 - 7	91145-05016	6 - 15

Index

Patrs Number	Key No.	Patrs Number	Key No.	Patrs Number	Key No.
91145-05020	5 - 8	C405-000030	8 - 19	P021-005141	5 - 24
91145-05020	5 - 22	C617-000150	6 - 7	P021-005142	5 - 24
91145-05020	5 - 25	C626-000010	6 - 13	P021-005143	5 - 24
91145-05020	8 - 24	C626-000030	6 - 20	P021-005610	5 - 36
91367-04010	2 - 33	C632-000040	5 - 14	P021-005611	5 - 36
94032-36302	1 - 18	C632-000041	5 - 14	P021-009560	5 - 15
A011-000140	1 - 15	C632-000042	5 - 14	P022-002080	2 - 20
A021-000310	3 - 11	C632-000050	5 - 13	P022-002100	2 - 14
A021-000310	9 -	C632-000051	5 - 13	P022-002100	2 - 14
A021-000311	3 - 11	C632-000052	5 - 13	P022-003120	2 - 16
A021-000311	9 -	E100-000040	5 - 17	P022-003120	2 - 16
A051-000200	2 - 17	E100-000041	5 - 17	P022-003130	2 - 15
A051-000840	2 - 41	E103-000130	5 - 12	P022-003130	2 - 15
A051-000841	2 - 41	E103-000131	5 - 12	P022-004680	2 - 52
A052-000040	2 - 13	E103-000132	5 - 12	P022-010220	2 - 44
A052-000041	2 - 13	E103-000133	5 - 12	P022-010230	2 - 45
A052-000042	2 - 13	E103-000140	5 - 21	P022-010231	2 - 45
A101-000020	1 - 10	E103-000141	5 - 21	P022-010240	2 - 46
A101-000030	1 - 9	E104-000000	5 - 24	P022-010250	2 - 43
A130-000250	1 - 1	E104-000030	5 - 36	P022-010260	2 - 51
A130-000251	1 - 1	E104-000040	5 - 35	P022-010270	2 - 48
A160-000340	1 - 3	E104-000041	5 - 35	P022-010280	2 - 47
A190-000110	5 - 6	E109-000010	5 - 23	V043-000000	8 - 27
A190-000111	5 - 6	E160-000071	7 - 5	V043-000040	8 - 27
A200-000070	3 - 14	E160-000090	7 - 5	V100-000050	1 - 6
A226-000031	3 - 3	E160-000091	7 - 5	V100-000051	1 - 6
A232-000080	3 - 2	E164-000030	7 - 10	V102-000010	1 - 22
A244-000040	3 - 5	E164-000050	7 - 10	V103-000080	3 - 10
A310-000000	2 - 31	E164-000051	7 - 10	V103-000130	3 - 15
A313-000310	2 - 32	E165-000010	7 - 4	V103-000140	3 - 12
A322-000020	5 - 32	E165-000020	7 - 2	V104-000250	1 - 5
A350-000150	4 - 4	E165-000120	7 - 1	V104-000600	1 - 5
A350-000151	4 - 4	E165-000130	7 - 4	V104-000720	1 - 5
A356-000030	4 - 15	E165-000140	7 - 2	V152-000770	5 - 31
A392-000000	4 - 6	E165-000160	7 - 1	V186-000080	4 - 18
A409-000110	5 - 16	P003-000090	9 - 21	V299-000290	3 - 1
A409-000250	5 - 16	P003-000180	9 - 4	V307-000060	1 - 14
A415-000000	2 - 5	P003-000630	9 - 13	V401-000070	6 - 14
A425-000000	2 - 10	P003-000640	9 - 10	V420-000570	5 - 5
A440-000350	8 - 28	P003-000650	10 -	V430-000450	8 - 30
A440-000660	8 - 28	P003-000660	10 -	V471-000550	4 - 11
C061-000060	6 - 1	P021-002521	3 - 6	V471-000610	4 - 17
C061-000110	6 - 1	P021-002980	1 - 8	V475-002100	8 - 29
C066-000000	6 - 9	P021-002981	1 - 8	V475-003210	8 - 29
C066-000001	6 - 9	P021-002982	1 - 8	V485-000190	2 - 6
C066-000002	6 - 9	P021-002990	1 - 17	V490-000230	7 - 14
C066-000003	6 - 9	P021-003000	2 - 30	V491-000040	6 - 2
C066-000004	6 - 9	P021-003020	7 - 7	V491-000120	6 - 3
C405-000020	8 - 25	P021-005140	5 - 24	V494-000080	8 - 32

Index

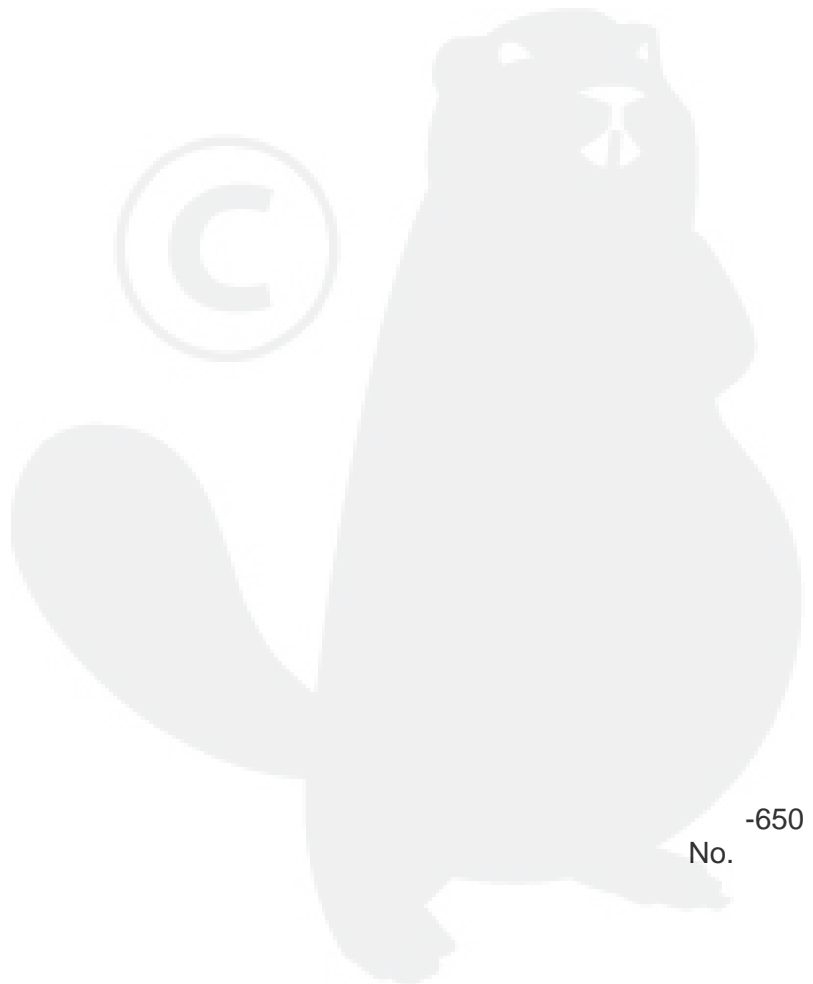
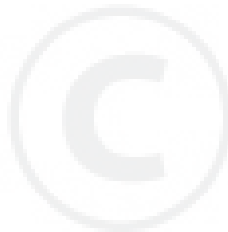
Patrs Number	Key No.	Patrs Number	Key No.	Patrs Number	Key No.
V495-000430	7 - 11				
V495-000440	7 - 7				
V508-000010	1 - 21				
V555-000010	1 - 13				
V608-000010	1 - 11				
X502-000060	7 - 3				
X503-002650	5 - 9				
X503-002651	5 - 9				



YAMABIKO CORPORATION

7-2 SUEHIROCHO 1-CHOME, OHME, TOKYO 198-8760, JAPAN
PHONE: 81-428-32-6118. FAX: 81-428-32-6145.

ECHO®



-650
No.