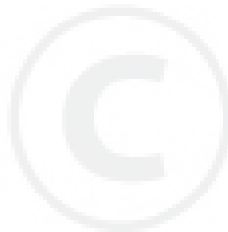




PARTS CATALOG

BACKPACK BLOWER

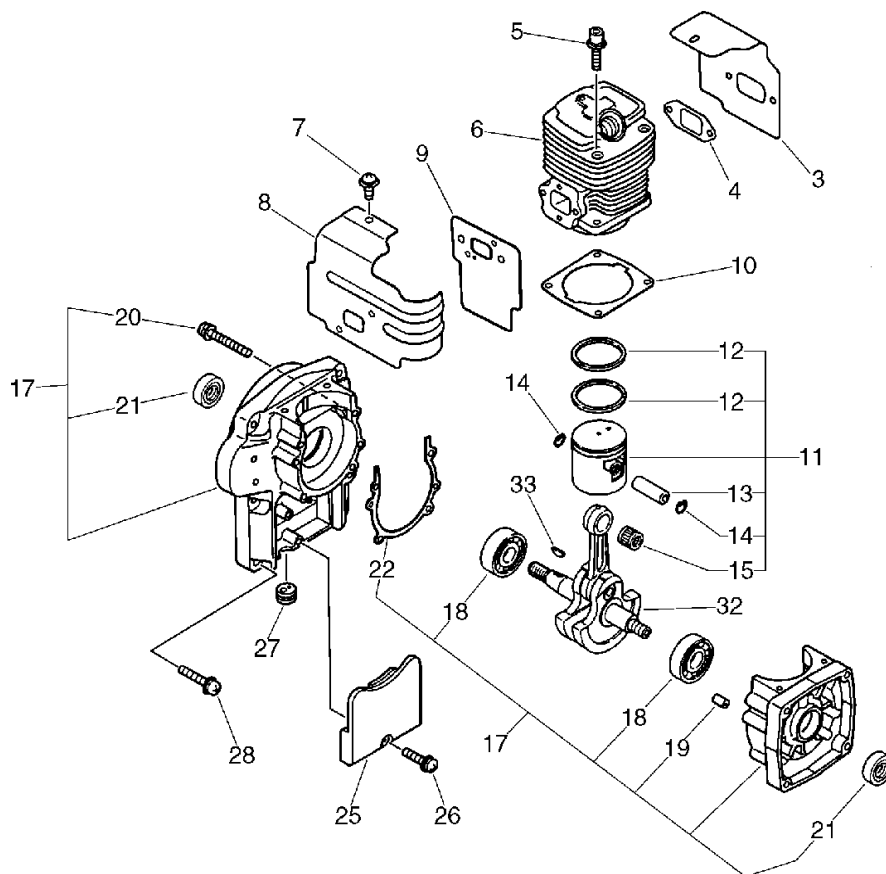
PB-46HT



PB-46HT

1. Cylinder, Crankcase, Piston

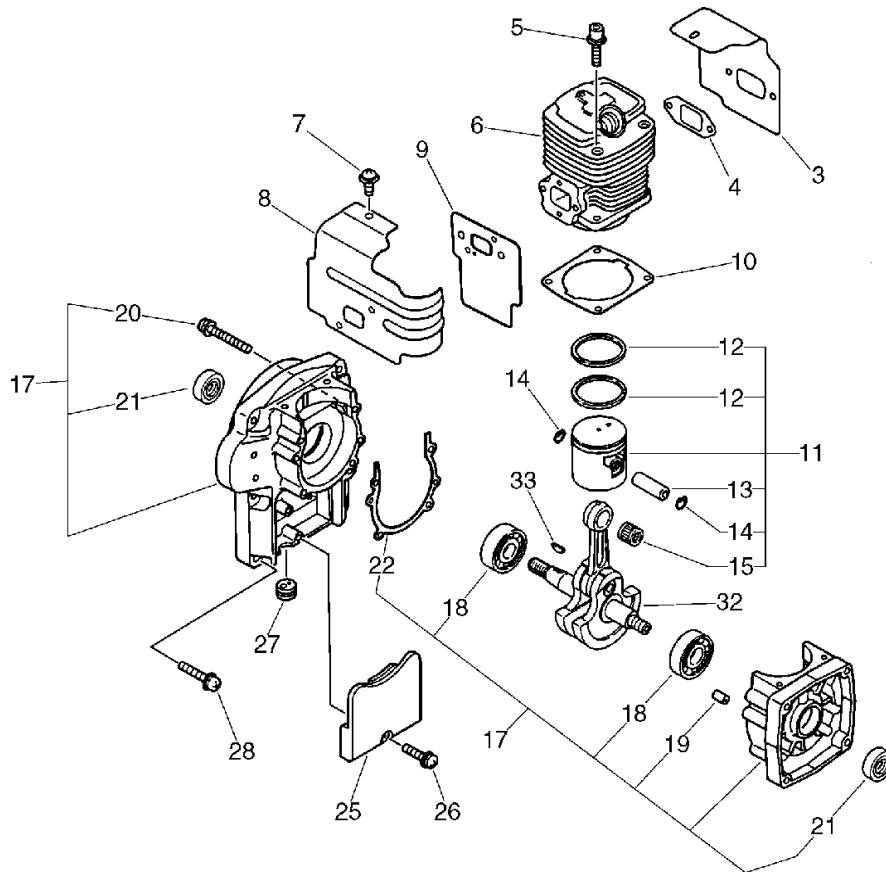
No.1



KEY	LV	PART NUMBER	Q'TY	DESCRIPTION	REMARKS	NOTE1	NOTE2
3		101576-08260	1	COVER, CYLINDER			
4		145510-06210	1	GASKET, MUFFLER		Sus. by 145510-06211	
4		145510-06211	1	GASKET, MUFFLER			
5		900162-05022	4	BOLT, H.S. 5*22	5*22 W,SW		
6		101011-08260	1	CYLINDER		Sus. by 101011-08261	
6		101011-08261	1	CYLINDER			
7		900238-05010	1	SCREW 5*10	5*10		
8		101514-08260	1	COVER, CYLINDER			
9		130016-06211	1	GASKET, INTAKE			
10		101010-10722	1	GASKET, CYL. BASE			
11		100000-03210	1	PISTON KIT			
12	+	100011-10530	2	RING, PISTON			
13	+	100013-00410	1	PIN, PISTON	6*10*29.8		
14	+	100015-00120	2	CIRCLIP, PISTON PIN			
15	+	100012-12331	1	BEARING, NEEDLE			
17		100204-08261	1	CRANKCASE KIT			
18	+	900810-36202	2	BEARING, BALL 6202	6202/C3		
19	+	100215-03930	2	PIN, DOWEL			
20	+	900162-05040	4	BOLT, H.S. 5*40	5*40 W,SW		
21	+	100213-00310	2	OILSEAL	ISCD 15 25 7		
22	+	100242-10721	1	GASKET, CRANKCASE			
25		159129-08260	1	COVER, DUST			
26		900238-05018	1	SCREW 5*18	5*18		
27		151112-04630	1	BUSHING			

1. Cylinder, Crankcase, Piston

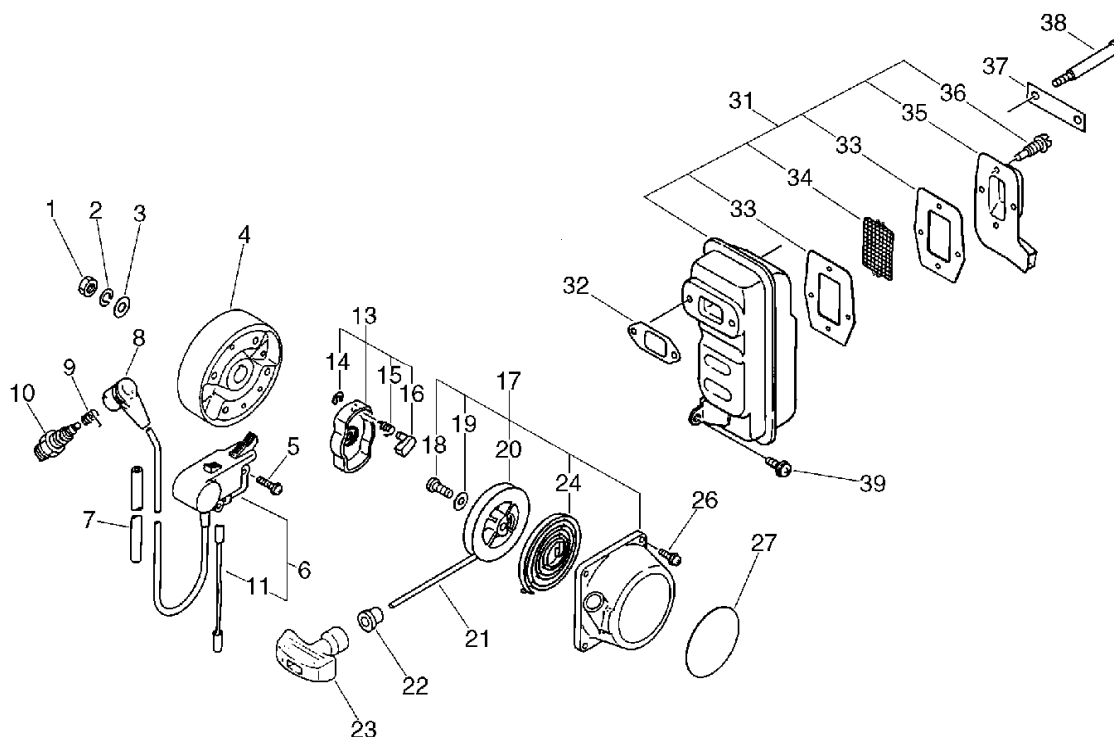
No.1



KEY	LV	PART NUMBER	Q'TY	DESCRIPTION	REMARKS	NOTE1	NOTE2
28		900162-05032	6	BOLT, H.S. 5*32	5*32 W,SW		
32		100100-06210	1	CRANKSHAFT ASSY			
33		900323-03014	1	KEY WOODRUFF	3*14		

2. Starter, Magneto, Muffler

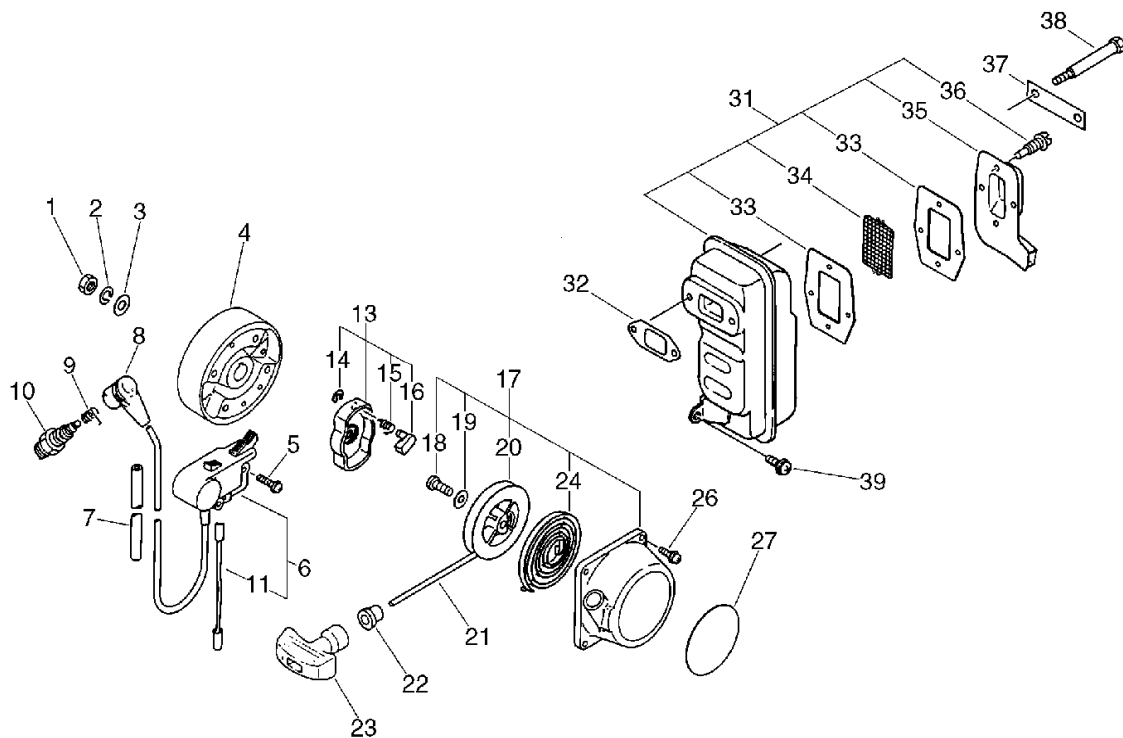
No.2



KEY	LV	PART NUMBER	Q'TY	DESCRIPTION	REMARKS	NOTE1	NOTE2
1		900501-00010	1	NUT 10*1.25	10*P1.25		
2		900605-00010	1	WASHER, SPRING 10	10		
3		900602-00010	1	WASHER 10(10.5*21*2)	10.5*21*2		
4		156800-06161	1	ROTOR, MAGNETO			
5		900238-05018	2	SCREW 5*18	5*18		
6		156601-09861	1	C.D.I. MODULE W/LEAD			
11	+	162021-08260	1	LEAD	180L		
7		156111-06160	1	TUBE 6.3*8*380	6.3*8*380		
8		159012-03433	1	CAP, SPARK PLUG			
9		159011-03432	1	COIL, SPARK PLUG			
10		159010-10230	1	PLUG, SPARK (BPMR-7A)	BPMR-7A		
13		177202-06210	1	PAWL ASSY, STARTER			
14	+	900700-00004	1	E-RING 4	CE-4		
15	+	177234-40630	1	SPRING, RETURN			
16	+	177218-40630	1	PAWL, STARTER	WHITE		
17		177200-08260	1	STARTER ASSY			
18	+	177236-40630	1	SCREW			
19	+	177214-40630	1	WASHER			
20	+	177215-11120	1	DRUM, STARTER			
21	+	177226-11120	1	ROPE, STARTER	3.8*1400		
22	+	177227-42030	1	GUIDE, ROPE			
23	+	177228-01110	1	GRIP, STARTER			
24	+	177220-11120	1	REWIND SPRING			
26		900162-04018	4	BOLT, H.S. 4*18	4*18 W,SW		
26		900163-04018	4	BOLT HSH			
27		890118-49330	1	LABEL, ECHO			

2. Starter, Magneto, Muffler

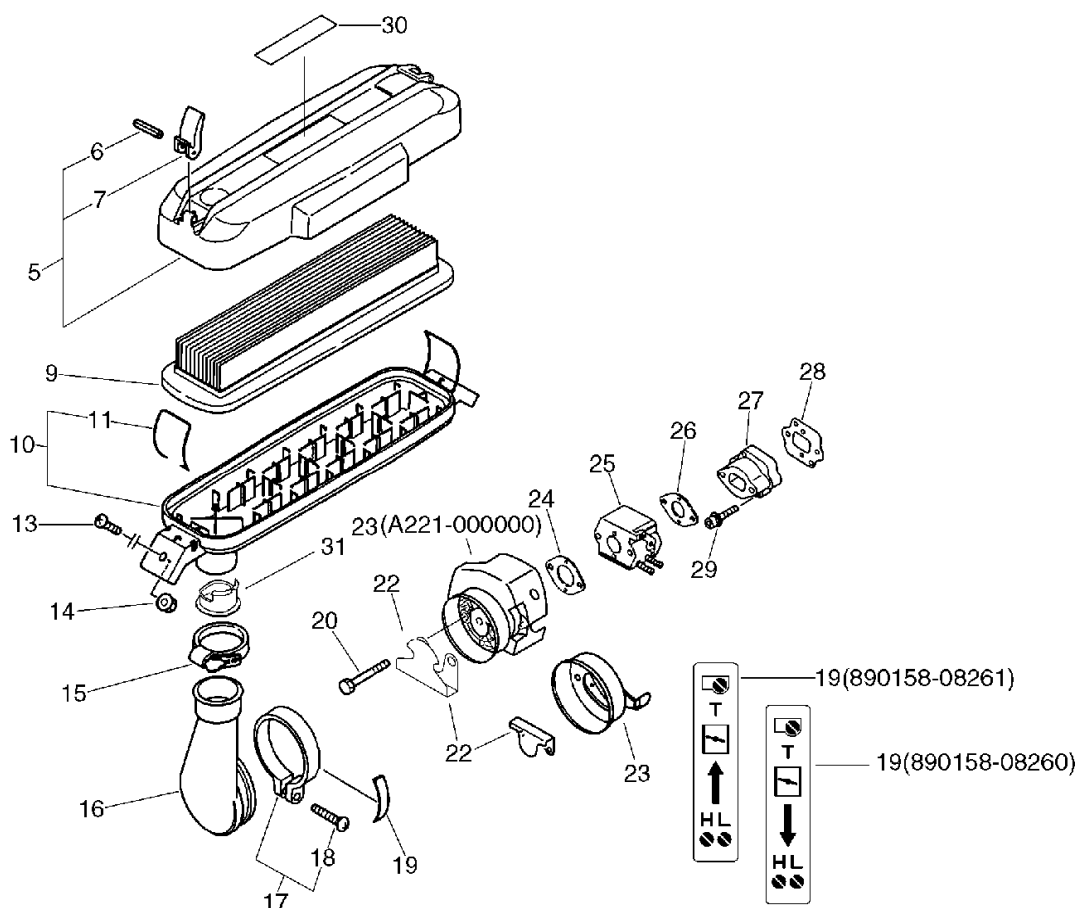
No.2



KEY	LV	PART NUMBER	Q'TY	DESCRIPTION	REMARKS	NOTE1	NOTE2
31		145800-21061	1	MUFFLER ASSY			
33	+	145866-21060	2	GASKET, MUFFLER LID			
33	+	145866-21360	2	GASKET, SCREEN HOLDER			
34	+	145862-21060	1	SCREEN, MUFFLER			
34	+	145862-21260	1	SCREEN			
35	+	145809-21061	1	LID, MUFFLER			
36	+	900080-00400	4	SCREW	4*0.7*10)		
32		145510-06210	1	GASKET, MUFFLER		Sus. by 145510-06211	
32		145510-06211	1	GASKET, MUFFLER			
37		145515-21060	1	PLATE, EYE			
37		145515-21061	1	PLATE, EYE			
38		145887-21060	2	BOLT 6			
39		900162-05020	1	BOLT, H.S. 5*20	5*20 W,SW		

3. Air Cleaner

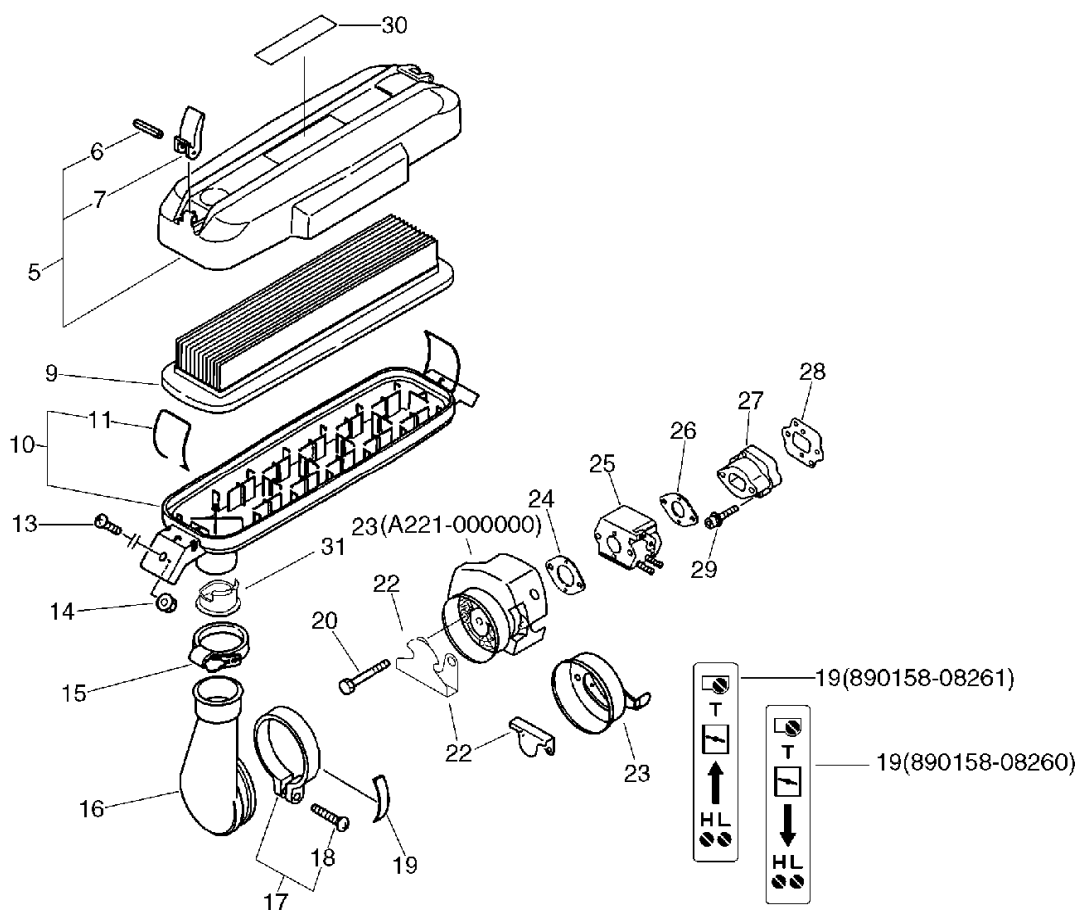
No.3



KEY	LV	PART NUMBER	Q'TY	DESCRIPTION	REMARKS	NOTE1	NOTE2
5		130308-08360	1	COVER, AIR CLEANER			
6	+	900345-30025	2	PIN, SPRING 3*25	3*25		
7	+	130341-08260	2	KNOB			
9		130305-08360	1	FILTER, AIR		Sus. by 130305-08361	
9		130305-08361	1	FILTER, AIR			
10		130307-08360	1	CASE, AIR CLEANER			
11	+	131032-08360	2	CLIP			
13		900209-05014	2	SCREW, 5*14	5*14		
13		91540-05014	2	SCREW, TRUSS			
14		900516-00005	2	NUT, FRANGE 5	5		
15		130715-08260	1	BAND			
16		130711-08260	1	ADAPTER, INTAKE			
17		P021-043140	1	CLAMP W/SCREW			
18	+	900238-05025	1	SCREW 5*25	5*25		
19		890158-08360	1	LABEL, CHOKE			
19		890158-08361	1	LABEL, CHOKE			
20		900220-05050	2	SCREW 5*50	5*50	Can be used 130405-09860, -09861, -09862	
20		900242-05057	2	SCREW 5*57	5*57	Can be used A221-000000 only	
22		129011-08260	1	PLATE		Sus. by A244-000020	

3. Air Cleaner

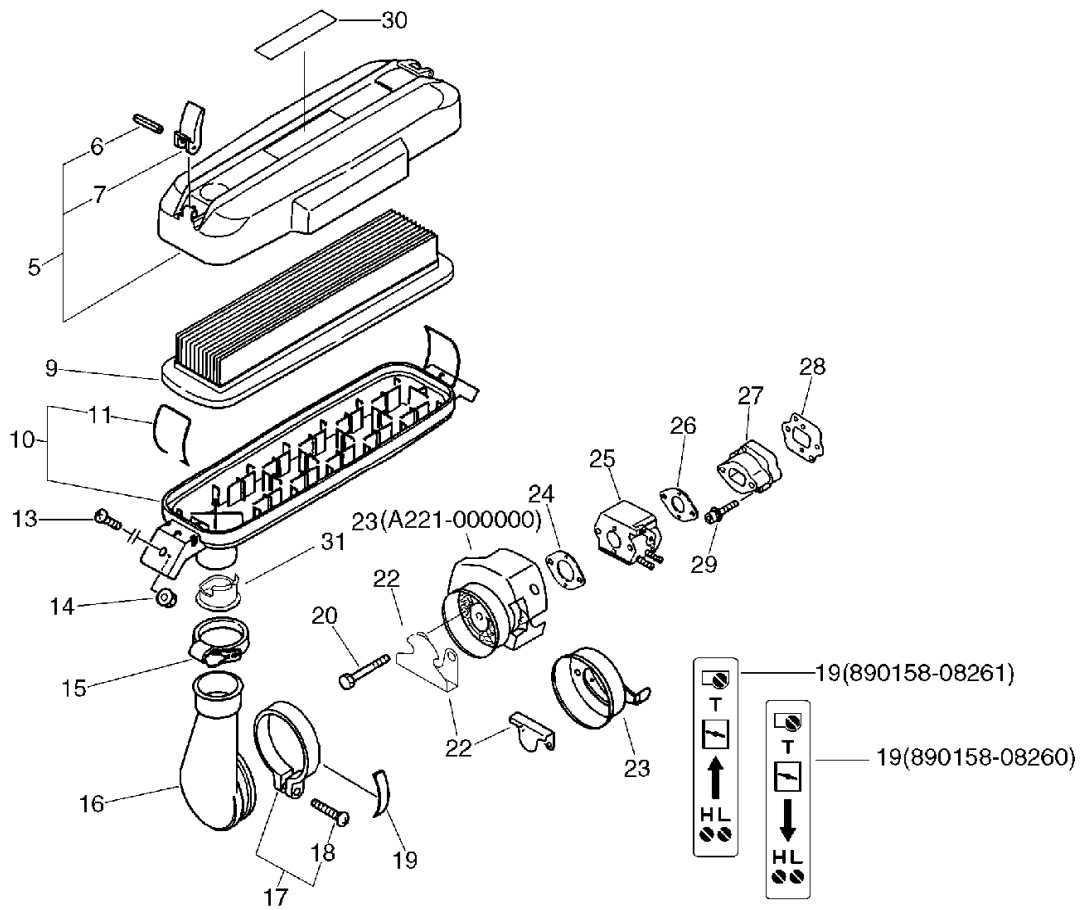
No.3



KEY	LV	PART NUMBER	Q'TY	DESCRIPTION	REMARKS	NOTE1	NOTE2
22		A244-000020	1	PLATE,PREVENT			
23		130405-09860	1	BRACKET, AIR CLEANER		Sus. by A221-000000	
23		130405-09861	1	BRACKET, AIR CLEANER		Sus. by A221-000000	
23		130405-09862	1	BRACKET, AIR CLEANER		Sus. by A221-000000	
23		A221-000000	1	FIXTURE,CLEANER			
24		130016-03731	1	GASKET, CARBURETOR			
25		125200-08560	1	CARBURETOR ASSY	C1M-K37B	Sus. by 125200-08564	
25		125200-08561	1	CARBURETOR	C1M-37B	Sus. by 125200-08564	
25		125200-08562	1	CARBURETOR	C1M-K37C	Sus. by 125200-08564	
25		125200-08563	1	CARBURETOR		Sus. by 125200-08564	
25		125200-08564	1	CARBURETOR	C1M-K37D		
26		130016-06434	1	GASKET			
27		130007-08260	1	INSULATOR		Sus. by 130007-08261	
27		130007-08261	1	INSULATOR			
28		130010-10323	1	GASKET		Sus. by V103-000000	
28		V103-000000	1	GASKET,INTAKE			
29		900162-05025	2	BOLT, H.S. 5*25	5*25 W,SW		

3. Air Cleaner

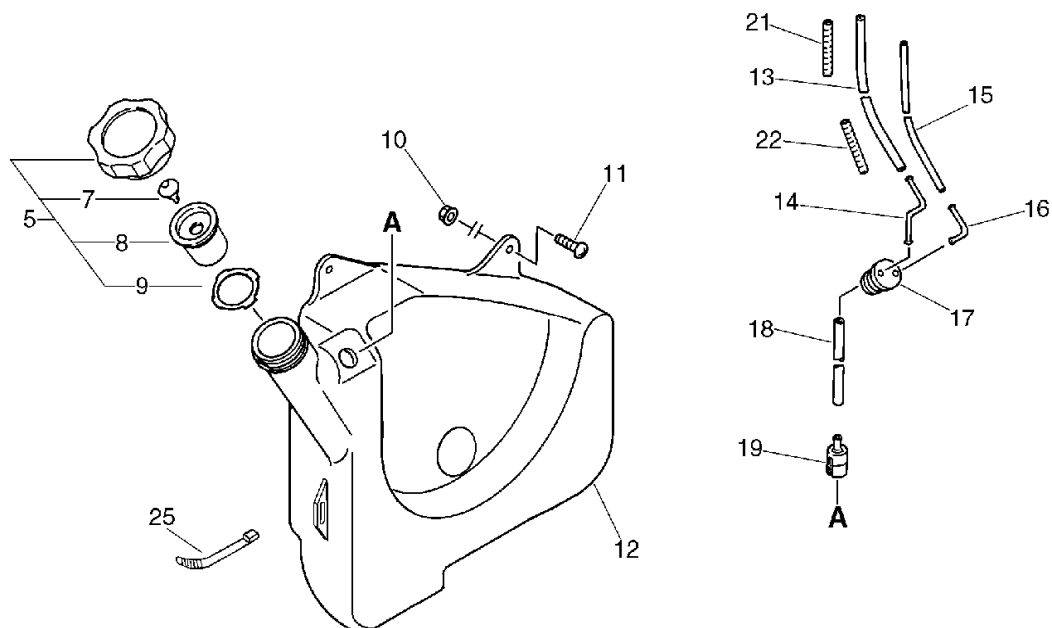
No.3



KEY	LV	PART NUMBER	Q'TY	DESCRIPTION	REMARKS	NOTE1	NOTE2
30		890176-11061	1	LABEL, NOISE			
31		178076-08360	1	COLLAR			

4. Fuel Tank

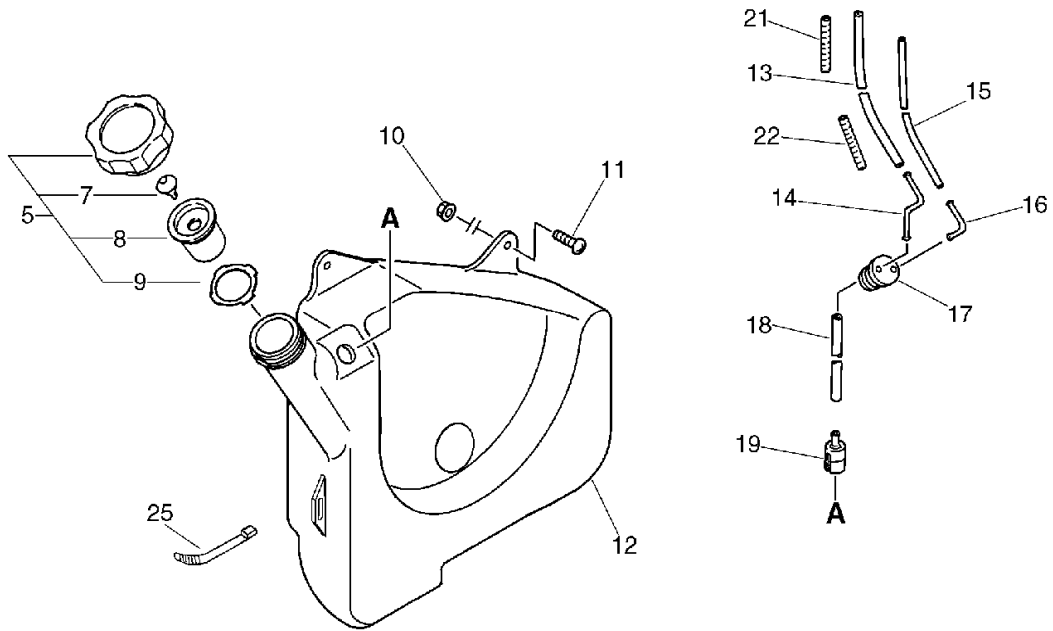
No.4



KEY	LV	PART NUMBER	Q'TY	DESCRIPTION	REMARKS	NOTE1	NOTE2
5		131004-06610	1	CAP ASSY, FUEL TANK		Sus. by 131600-09861	
5		131600-09861	1	CAP ASY, FUEL			
7	+	131314-06320	1	VALVE, CHECK			
8	+	131015-21330	1	HOLDER, CHECK VALVE		Sus. By A358-000000	
8	+	A358-000000	1	HOLDER,CHECK VALVE			
9	+	131016-21060	1	GASKET, FUEL CAP			
10		900516-00005	3	NUT, FRANGE 5	5		
11		900209-05020	3	SCREW, 5*20	5*20		
12		131010-08260	1	TANK, FUEL		Sus. by 131010-08265	
12		131010-08261	1	TANK, FUEL		Sus. by 131010-08265	
12		131010-08263	1	TANK, FUEL		Sus. by 131010-08265	
12		131010-08264	1	TANK, FUEL		Sus. by 131010-08265	
12		131010-08265	1	TANK, FUEL			
13		132010-08260	1	PIPE, FUEL	3*7*520 NBR		
14		132011-08260	1	CONNECTOR, FUEL PIPE			
15		132016-08260	1	PIPE, FUEL	2*4*480		
16		132021-08260	1	CONNECTOR, PIPE			
17		132115-02960	1	GROMMET			
18		132012-08261	1	PIPE 3*7*270	3*7*270 NBR	Sus. by V471-000770	

4. Fuel Tank

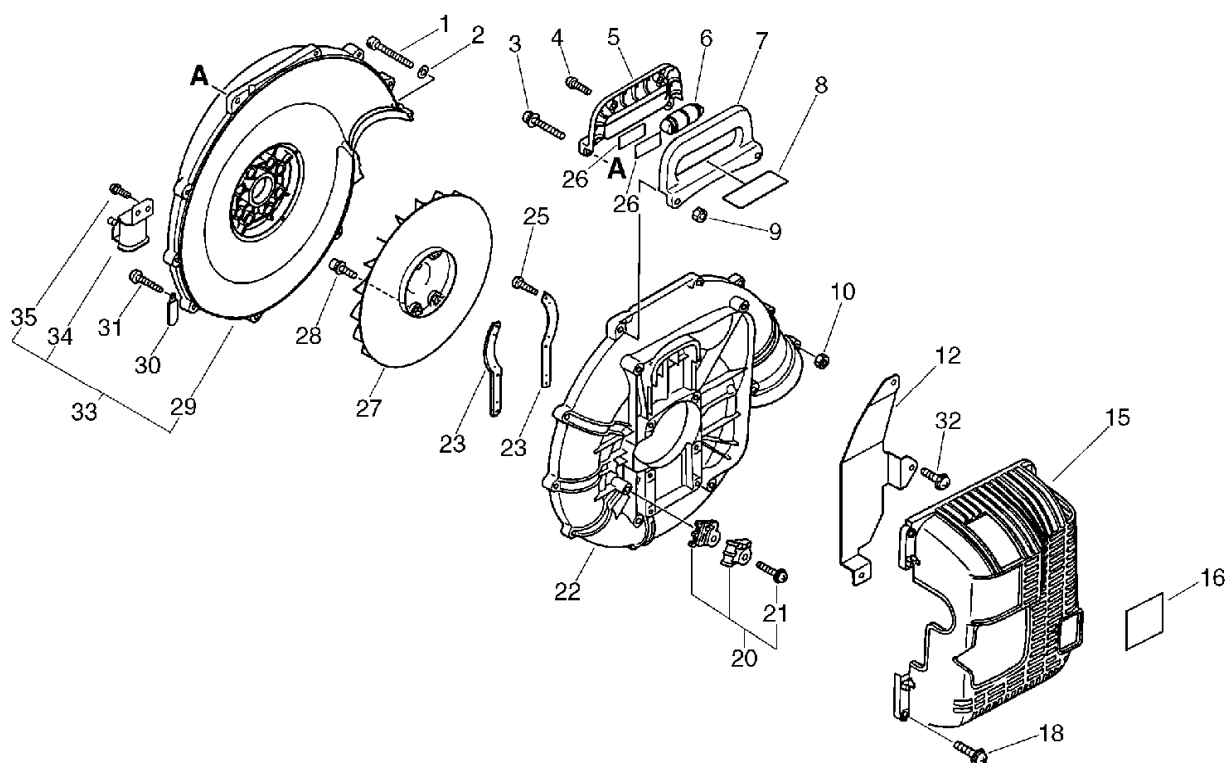
No.4



KEY	LV	PART NUMBER	Q'TY	DESCRIPTION	REMARKS	NOTE1	NOTE2
18		V471-000770	1	PIPE			
19		131205-19830	1	STRAINER, FUEL			
21		132015-08260	1	COVER, PROTECTIVE			
22		178127-03460	1	TUBE			
25		V495-000300	1	BAND	CV-150	Sus. by 178121-43230	
25		178121-43230	1	BAND	CV-150 BL	Can be used on the 131010-08261 only	

5. Fan Case

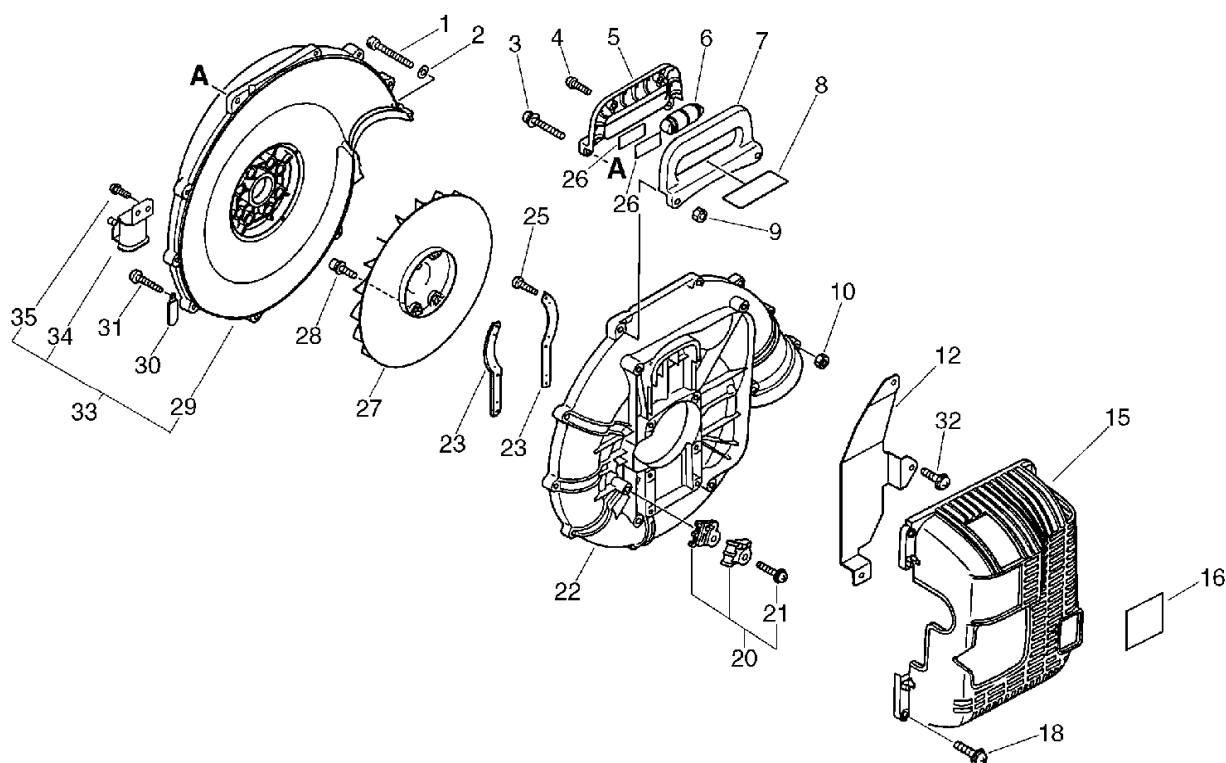
No.5



KEY	LV	PART NUMBER	Q'TY	DESCRIPTION	REMARKS	NOTE1	NOTE2
1		900105-05060	2	BOLT, H.S. 5*60	5*60		
2		900602-00005	2	WASHER 5	5.3*10*1	Sus. by 900600-00005	
2		900600-00005	2	WASHER 5	5		
3		900238-05045	2	SCREW 5*45	5*45		
4		900253-05016	2	SCREW	5*16		
5		351110-08260	1	HANDLE			
6		351337-08260	1	WEIGHT, HANDLE			
7		351010-08260	1	HANDLE			
8		890160-08260	1	LABEL, CAUTION			
9		900516-00005	2	NUT, FRANGE 5	5		
10		900516-00005	2	NUT, FRANGE 5	5		
12		100270-08260	1	INSULATOR			
15		104012-08260	1	COVER, ENGINE			
16		890115-21060	1	MODEL, MODEL			
18		900238-05018	4	SCREW 5*18	5*18		
20		178101-08260	1	HOLDER KIT, CABLE			
21	+	900238-05025	1	SCREW 5*25	5*25		
22		200105-08260	1	CASE, FAN			
23		104913-08360	2	BRACKET, ENGINE			
25		900246-03012	4	SCREW 3*12	3*12		
26		351335-08260	2	CUSHION			
27		200010-09860	1	FAN			
28		900162-05020	4	BOLT, H.S. 5*20	5*20 W,SW		
29		200111-08260	1	CASE, FAN		Sus. by P021-000385	

5. Fan Case

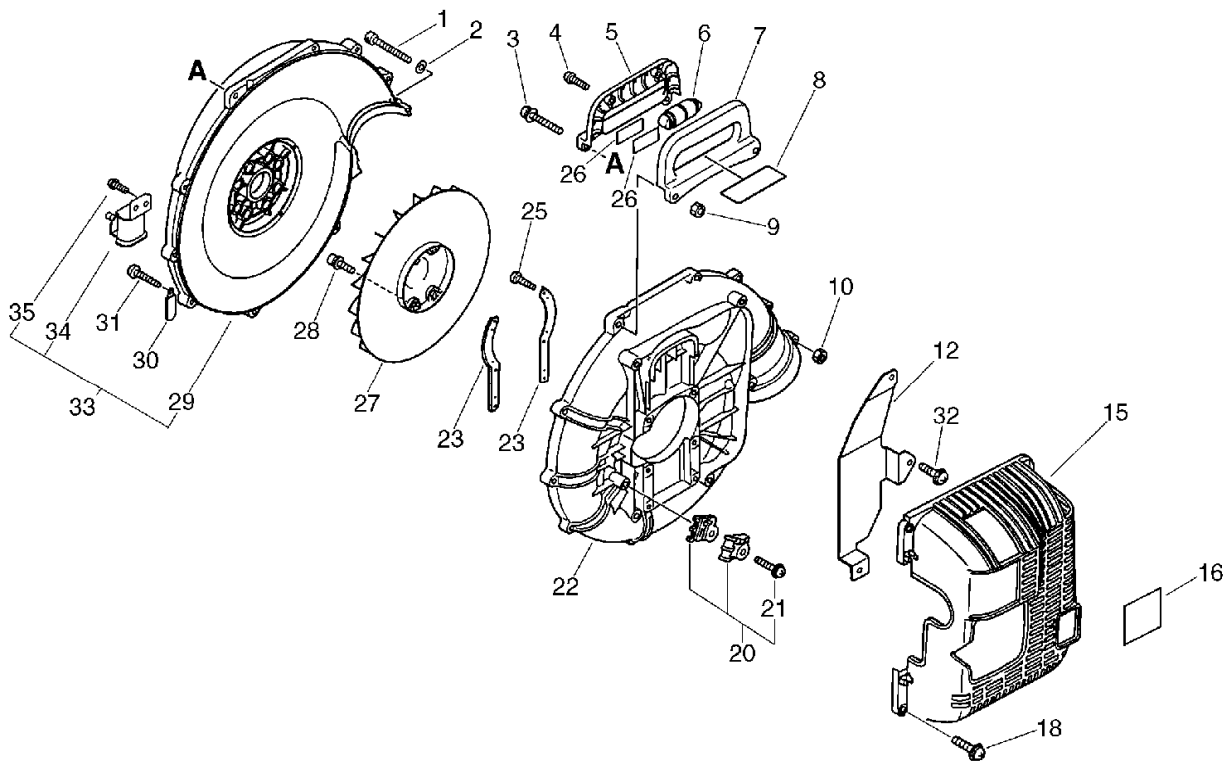
No.5



KEY	LV	PART NUMBER	Q'TY	DESCRIPTION	REMARKS	NOTE1	NOTE2
33		P021-000380	1	CASE,FAN		Sus. by P021-000385	
33		P021-000382	1	CASE,FAN		Sus. by P021-000385	
33		P021-000383	1	CASE,FAN		Sus. by P021-000385	
33		P021-000384	1	CASE,FAN		Sus. by P021-000385	
33		P021-000385	1	CASE, FAN			
29	+	200111-08261	1	CASE, FAN		Sus. by 200111-08264	
29	+	200111-08262	1	CASE, FAN		Sus. by 200111-08264	
29	+	200111-08263	1	CASE, FAN		Sus. by 200111-08264	
29	+	200111-08264	1	CASE, FAN		Sus. by 200111-08265	
29	+	200111-08265	1	CASE, FAN			
34	+	V401-000000	1	CUSHION,5			
34	+	V401-000001	1	CUSHION,5		Sus. by V401-000002	
34	+	V401-000002	1	CUSHION,5		Can be used on the units with 200111-08262	

5. Fan Case

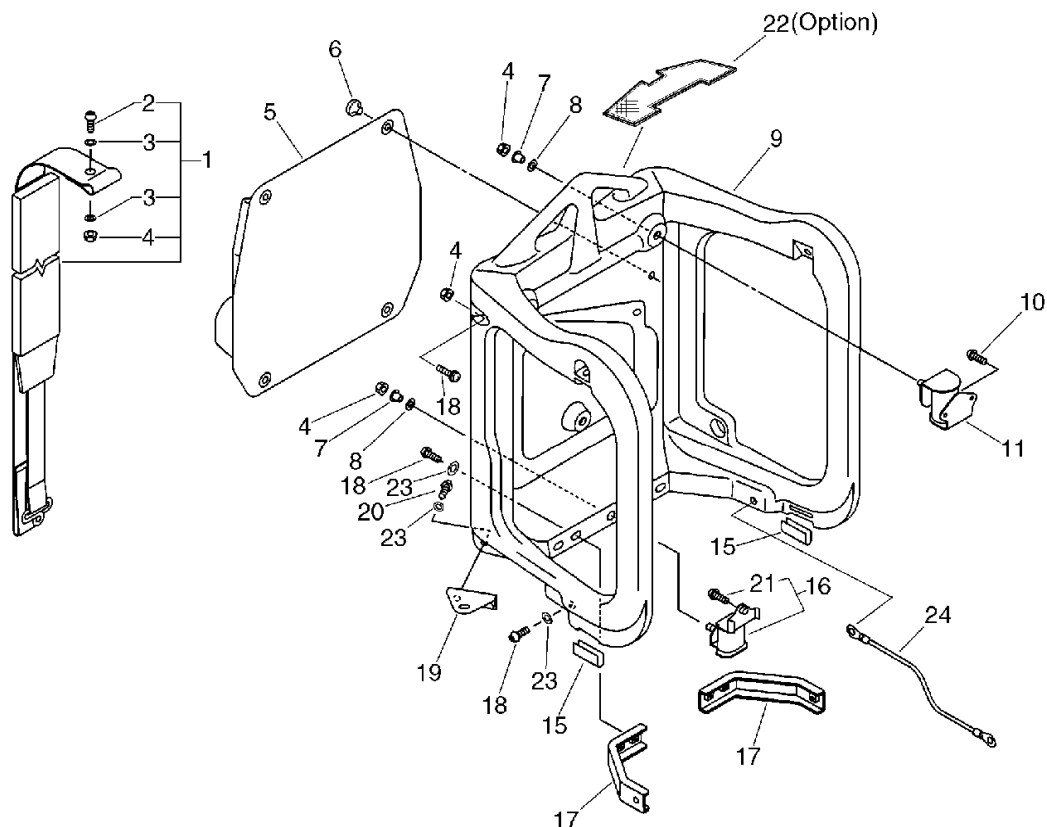
No.5



KEY	LV	PART NUMBER	Q'TY	DESCRIPTION	REMARKS	NOTE1	NOTE2
35	+	900253-05016	2	SCREW	5*16	Can be used on the units with 200111-08262	
30		159116-21231	1	CLAMP			
31		900253-05030	7	SCREW 5*30	5*30		
32		900238-05010	1	SCREW 5*10	5*10		

6. Harness

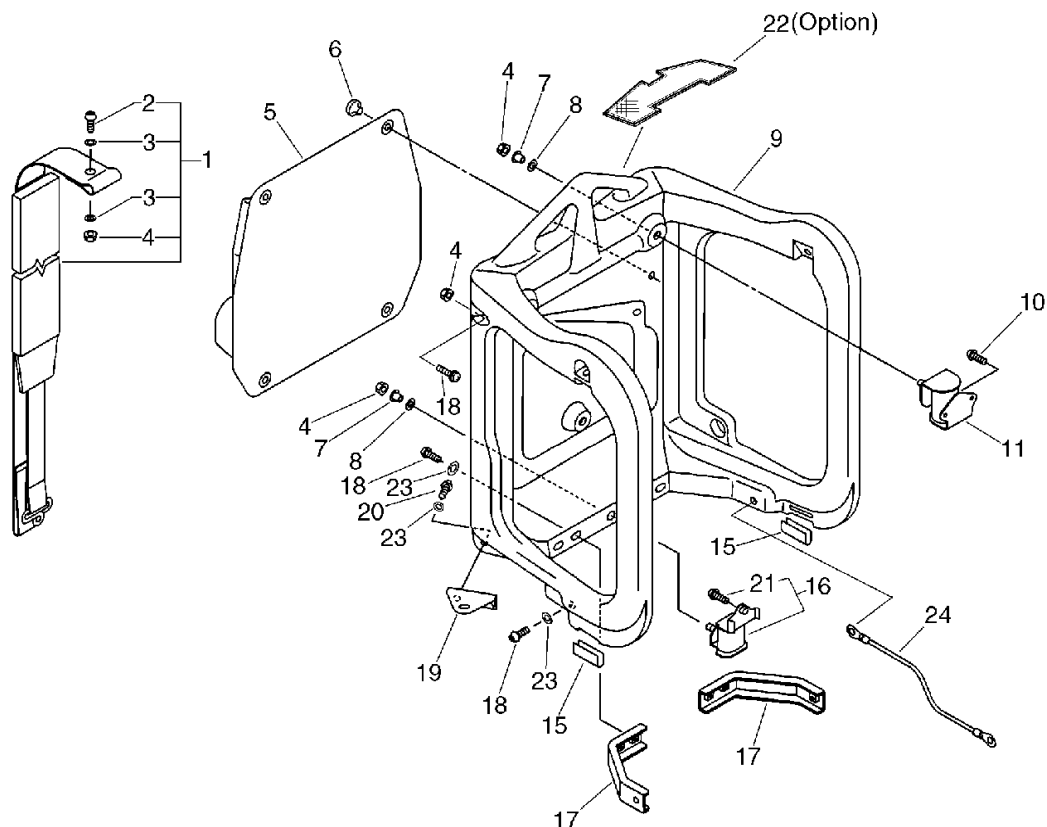
No.6



KEY	LV	PART NUMBER	Q'TY	DESCRIPTION	REMARKS	NOTE1	NOTE2
1		300300-08261	2	HARNESS, KNAPSACK		Sus. by P021-001761	
1		P021-001760	2	HARNESS, KNAPSACK		Sus. by P021-001761	
1		P021-001761	2	HARNESS, KNAPSACK			
2	+	900209-05014	2	SCREW, 5*14	5*14	Sus. by 91540-05014	
2	+	91540-05014	2	SCREW, TRUSS			
3	+	300217-00610	4	WASHER			
4	+	900516-00005	2	NUT, FRANGE 5	5		
4		900516-00005	5	NUT, FRANGE 5	5	Sus. by 900516-00005 Qty : 6	
4		900516-00005	6	NUT, FRANGE 5	5		
5		300105-08260	1	CUSHION, KNAPSACK	BL	Sus. by 300105-08261	
5		300105-08261	1	CUSHION, KNAPSACK			
6		300333-06160	4	CLIP		Sus. by V491-000120	
6		V491-000120	4	CLIP			
7		104915-08260	3	SPACER			
8		131925-02310	3	CUSHION			
9		300010-08360	1	FRAME, BACKPACK		Sus. by 300010-08361	
9		300010-08361	1	FRAME, BACKPACK			

6. Harness

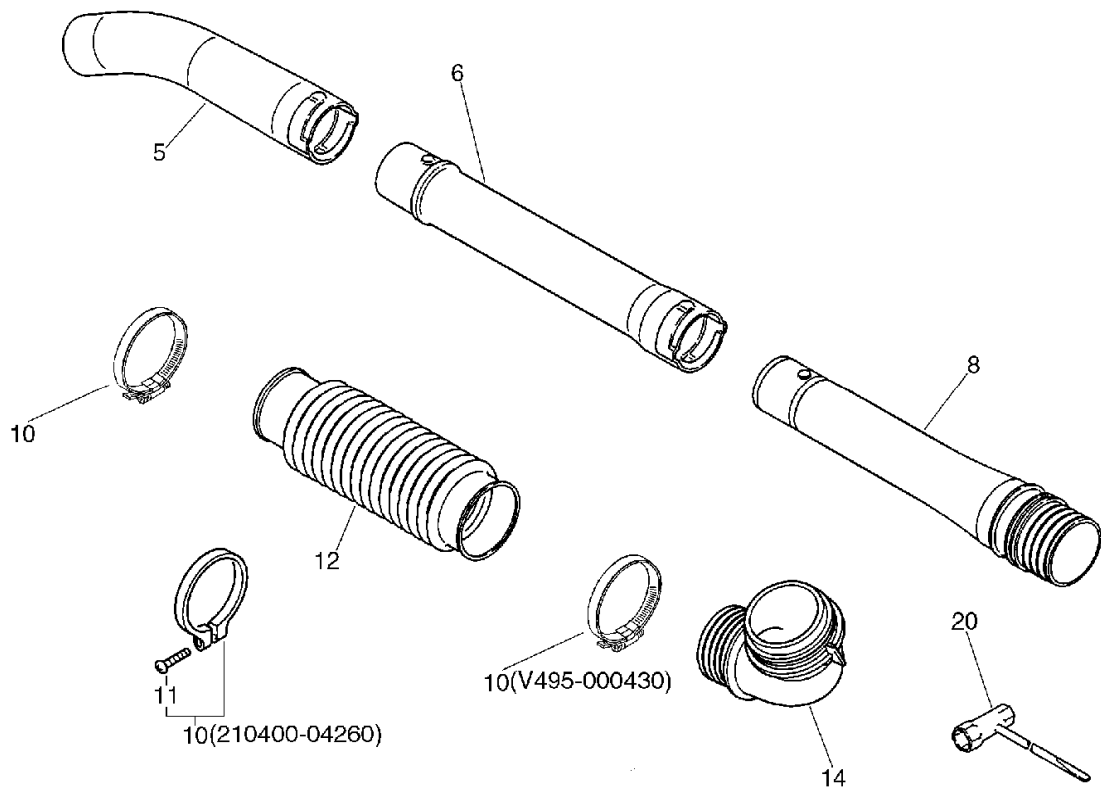
No.6



KEY	LV	PART NUMBER	Q'TY	DESCRIPTION	REMARKS	NOTE1	NOTE2
10		900253-05016	5	SCREW	5*16	Sus. by 900516-00005 Qty : 4	
10		900253-05016	4	SCREW	5*16		
11		100905-08260	2	CUSHION		Sus. by 100905-08261	
11		100905-08261	2	CUSHION			
15		300032-08360	2	BUMPER			
16		100907-08260	1	CUSHION		Sus. by P021-000251	
16		P021-000250	1	CUSHION W/SCREW		Sus. by P021-000251	
16		P021-000251	1	CUSHION W/SCREW			
21	+	900220-06022	1	SCREW 6*22	6*22	Sus. by 91371-06020	
21	+	91371-06020	1	SCREW TAPPING	6*20		
17		300012-08260	2	CONNECTOR, FRAME			
18		900209-05014	8	SCREW, 5*14	5*14		
19		300614-08260	1	BRACKET, HANGER			
20		900209-05020	4	SCREW, 5*20	5*20		
22		302914-21060	1	COVER, DUST			
23		300217-00610	10	WASHER			
24		162007-21260	1	LEAD			

7. Pipe, Tool

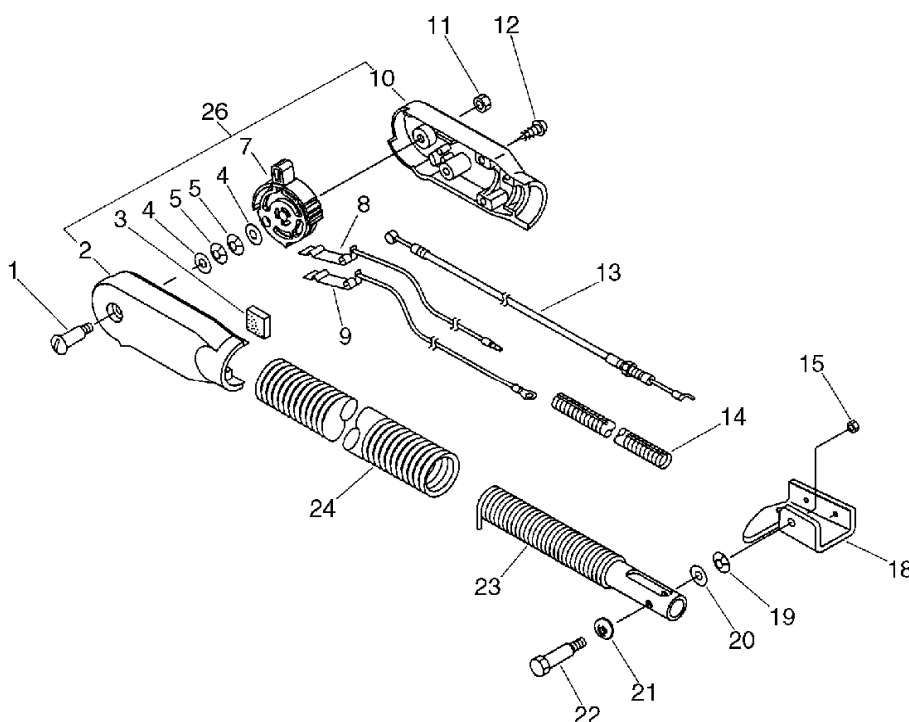
No.7



KEY	LV	PART NUMBER	Q'TY	DESCRIPTION	REMARKS	NOTE1	NOTE2
5		210023-03460	1	PIPE, CURVED (BL)			
6		210015-03460	1	PIPE, STRAIGHT (BL)			
8		212005-07560	1	PIPE, BLOWER			
10		210400-04260	2	CLAMP W/SCREW		Sus. by V495-000430	
10		V495-000430	2	BAND	58.7MM / 82.5MM		
11	+	900235-05025	2	SCREW 5*25	5*25	Can be used on 210400-04260 only	
12		210013-08360	1	PIPE, FLEXIBLE			
14		210005-08260	1	PIPE, MAIN		Sus. by 210011-08260	
14		210011-08260	1	ELBOW, BLOWING			
20		895410-39130	1	WRENCH, W/S-DRIVER			

8. Throttle

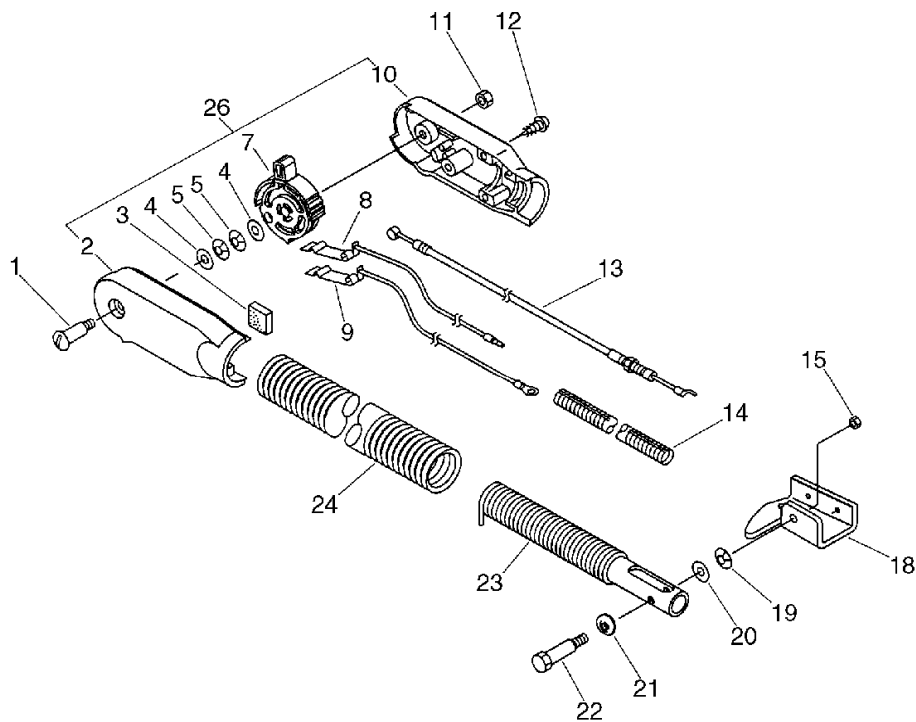
No.8



KEY	LV	PART NUMBER	Q'TY	DESCRIPTION	REMARKS	NOTE1	NOTE2
1		604030-21060	1	SCREW 4			
2		C471-000030	1	FIXTURE,TRIGGER		Sr/Nr 004839 and before	
3		104293-21060	1	PAD, FOAM	16*16*6T		
4		699118-04560	2	WASHER			
5		178160-21060	2	WASHER, FRICTION	6.6*14.3		
7		C453-000020	1	LEVER,THROTTLE		Sus. by C453-000021	
7		C453-000021	1	LEVER,THROTTLE			
8		V485-000060	1	LEAD			
9		V485-000071	1	LEAD		Sus. by V485-000072	
9		V485-000072	1	LEAD	720MM W/TERMINAL		
10		C471-000040	1	FIXTURE,TRIGGER			
26		P021-003010	1	FIXTURE,TRIGGER SET		Sr/Nr 004840 and after	
2	+	C471-000050	1	FIXTURE,TRIGGER		Sr/Nr 004840 and after	
10	+	C471-000060	1	FIXTURE,TRIGGER		Sr/Nr 004840 and after	
11		900560-00004	1	LOCKNUT	4		
12		889950-21060	3	SCREW 5			
13		178001-21060	1	WIRE, THROTTLE	729L		
14		162023-21061	1	TUBE			
15		900030-10008	1	NUT 1/4-20	1/4-20		

8. Throttle

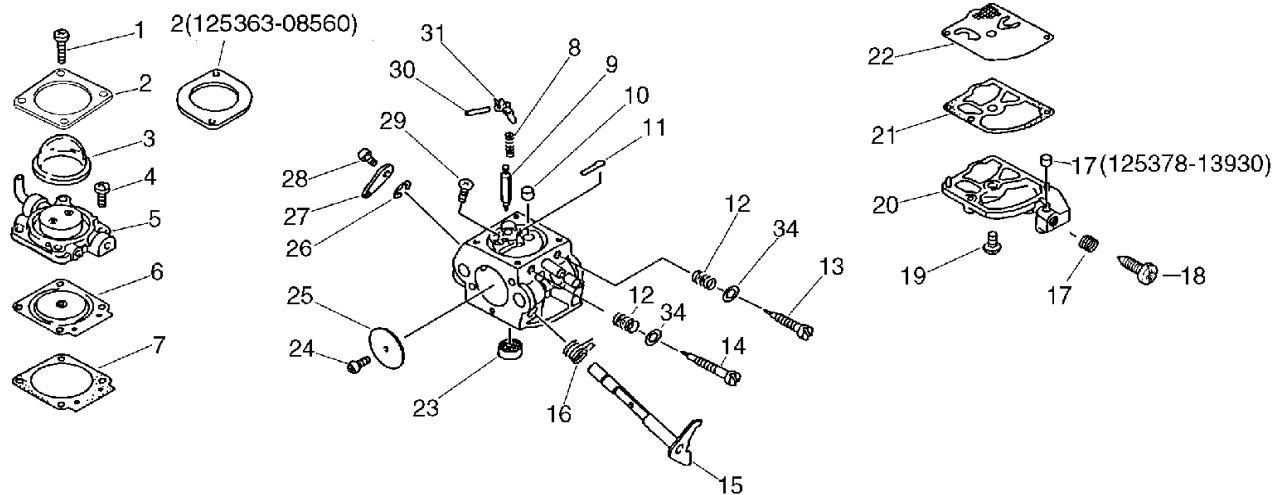
No.8



KEY	LV	PART NUMBER	Q'TY	DESCRIPTION	REMARKS	NOTE1	NOTE2
18		178165-21060	1	FRAME			
19		701017-21060	1	WASHER		Sus. by 701017-21061	
19		701017-21061	1	WASHER			
20		694029-21060	1	WASHER			
21		178129-21060	1	WASHER, WAVE			
22		432617-21060	1	BOLT 6			
23		178016-21060	1	TUBE	359L		
24		178016-21160	1	TUBE	27*34*280L		

9. Carburetor

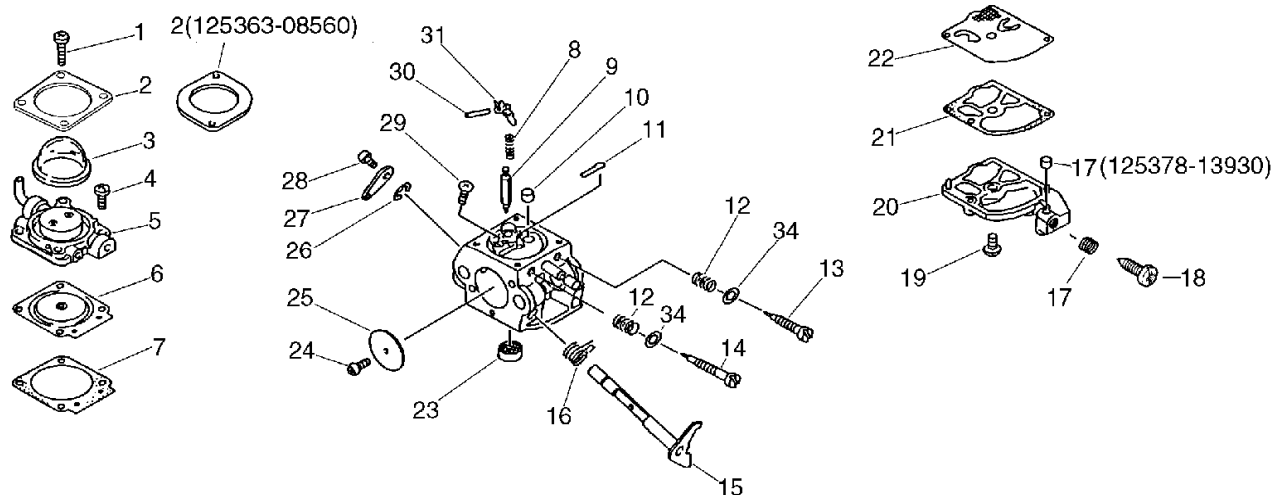
No.9



KEY	LV	PART NUMBER	Q'TY	DESCRIPTION	REMARKS	NOTE1	NOTE2
		125200-08560	1	CARBURETOR ASSY	C1M-K37B	Sus. by 125200-08564	
		125200-08561	1	CARBURETOR	C1M-37B	Sus. by 125200-08564	
		125200-08562	1	CARBURETOR	C1M-K37C	Sus. by 125200-08564	
		125200-08563	1	CARBURETOR		Sus. by 125200-08564	
		125200-08564	1	CARBURETOR	C1M-K37D		
1	+	125344-05360	2	SCREW		Can be used on the 125200-08560, -08561, -08562	
1	+	125344-05360	4	SCREW		Can be used on the 125200-08563 only	
2	+	125363-08560	1	RING		Can be used on the 125200-08560, -08561, -08562	
2	+	P005-000620	1	RETAINER		Can be used on the 125200-08563 only	
3	+	125381-08660	1	PUMP, PRIMING			

9. Carburetor

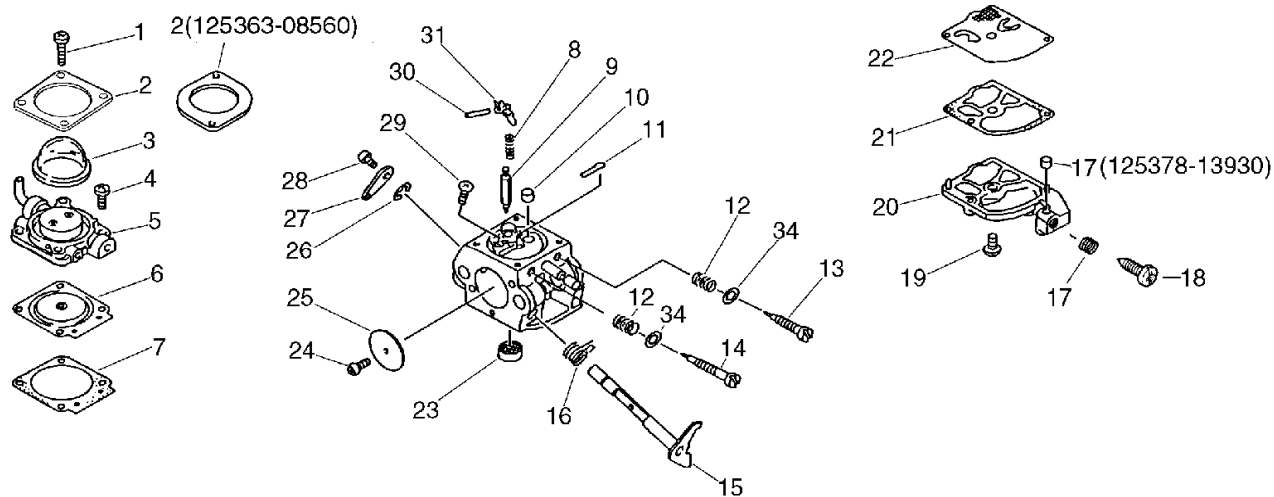
No.9



KEY	LV	PART NUMBER	Q'TY	DESCRIPTION	REMARKS	NOTE1	NOTE2
4	+	125310-05360	2	SCREW		Can be used on the 125200-08560, -08561, -08562	
5	+	125383-08360	1	BASE, PRIMER		Can be used on the 125200-08560, -08561, -08562	
5	+	P005-000610	1	BASE, PRIMER		Can be used on the 125200-08563 only	
6	+	125341-08360	1	DIAPHRAGM			
7	+	125340-34530	1	GASKET, DIAPHRAGM			
8	+	125322-07260	1	SPRING, COIL			
9	+	125337-08260	1	VALVE, INLET NEEDLE			
10	+	125376-08560	1	NOZZLE, CHECK VALVE		Sus. by P005-001040	
10	+	P005-001040	1	NOZZLE, CHECK VALVE			
11	+	125345-15130	1	PLUG, WELCH			
12	+	125319-42030	2	SPRING, COIL		Can be used on the 125200-08560, -08561	

9. Carburetor

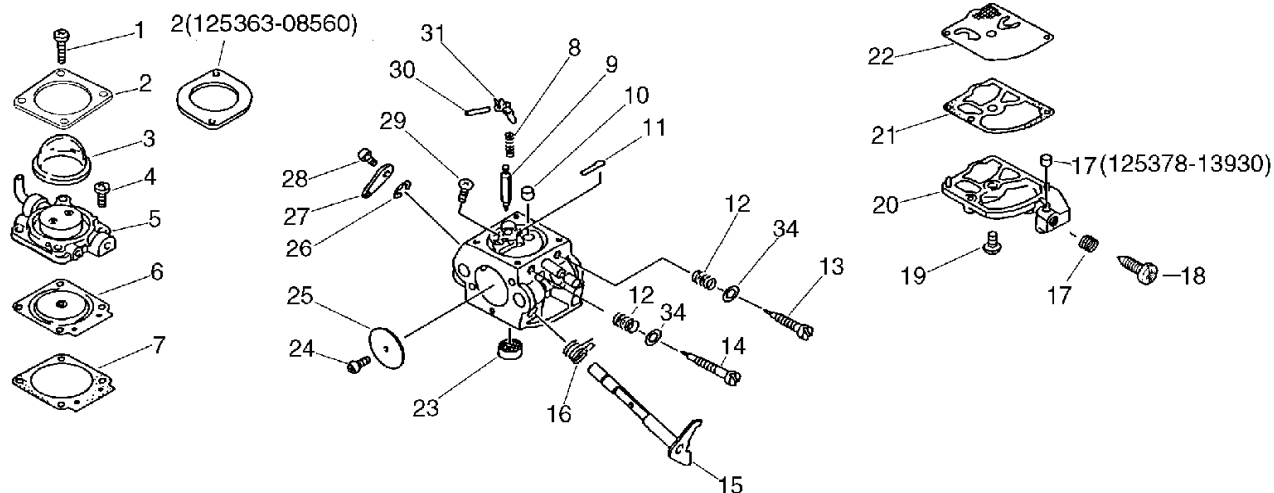
No.9



KEY	LV	PART NUMBER	Q'TY	DESCRIPTION	REMARKS	NOTE1	NOTE2
13	+	125320-08560	1	NEEDLE, HIGH SPEED		Can be used on the 125200-08560, -08561	
13	+	P005-000420	1	SCREW, MAIN MIXTURE		Can be used on the 125200-08562, -08563	
14	+	125318-08560	1	NEEDLE, IDLE		Can be used on the 125200-08560, -08561	
14	+	P005-000430	1	SCREW ASY IDLE MIX.		Can be used on the 125200-08562, -08563	
15	+	125317-08360	1	SHAFT, THROTTLE			
16	+	125313-08360	1	SPRING, THRT. RETURN			
17	+	125378-13930	1	PIECE, FRICTION		Can be used on the 125200-08560	
17	+	125333-08560	1	SPRING,ADJUST SCREW		Can be used on the 125200-08561, -08562, -08563	

9. Carburetor

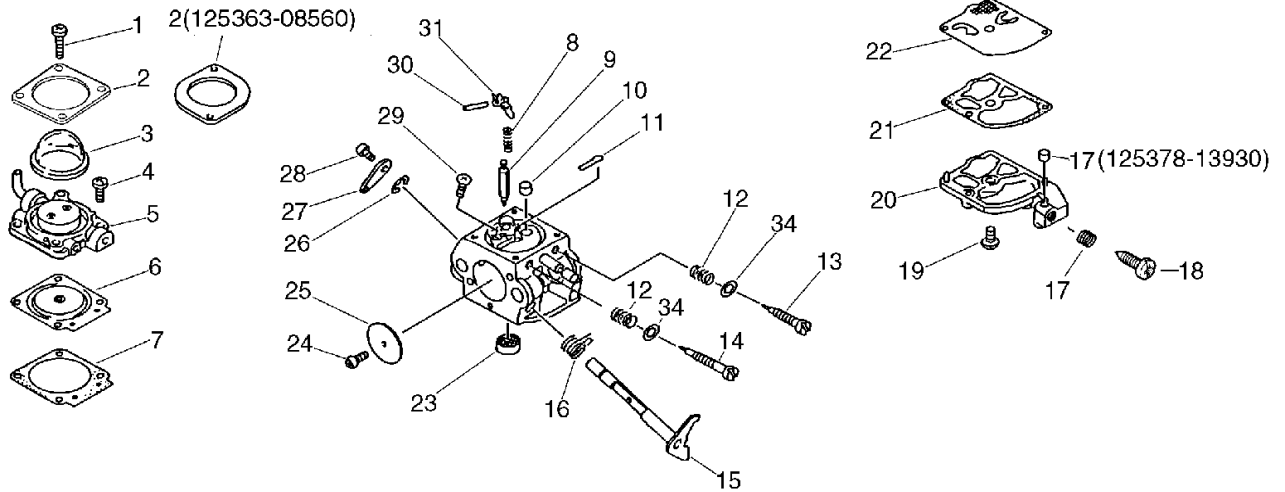
No.9



KEY	LV	PART NUMBER	Q'TY	DESCRIPTION	REMARKS	NOTE1	NOTE2
18	+	125334-13930	1	SCREW, IDLE ADJUST		Can be used on the 125200-08560	
18	+	125344-08560	1	SCREW		Can be used on the 125200-08561, - 08562, -08563	
19	+	125310-13930	1	SCREW		Sus. by P005- 000980	
19	+	P005-000980	1	SCREW			
20	+	125324-08360	1	COVER, PUMP			
21	+	125325-08360	1	GASKET, PUMP			
22	+	125312-08360	1	DIAPHRAGM, FUEL PUMP			
23	+	125326-08360	1	STRAINER			
24	+	125314-51230	1	SCREW	3*4.5		
25	+	125316-08560	1	VALVE, THROTTLE			
26	+	125327-13930	1	CLIP			
27	+	125350-08360	1	LEVER, THROTTLE			
28	+	125348-13930	1	SCREW			
29	+	125339-42030	1	SCREW		Can be used on the 125200-08560	
29	+	125339-13930	1	SCREW		Can be used on the 125200-08561, - 08562, -08563	

9. Carburetor

No.9



KEY	LV	PART NUMBER	Q'TY	DESCRIPTION	REMARKS	NOTE1	NOTE2
30	+	125338-13930	1	PIN, METERING ARM			
31	+	125323-08260	1	ARM, VALVE			
34	+	125353-20560	2	WASHER		Can be used on the 125200-08560, - 08561	
		125303-08360	1	GASKET/DIAPHRAGM KIT			
		125300-08560	1	REBUILD KIT			

10. Repair Kit

KEY	LV	PART NUMBER	Q'TY	DESCRIPTION	REMARKS	NOTE1	NOTE2
		889000-08262	1	GASKET KIT		Sus. by 889000-08263	
		889000-08263	1	GASKET KIT			
1-9	+	130016-06211	1	GASKET, INTAKE			
1-10	+	101010-10722	1	GASKET, CYL. BASE			
1-22	+	100242-10721	1	GASKET, CRANKCASE			
2-32	+	145510-06210	2	GASKET, MUFFLER		Sus. by 145510-06211	
2-32	+	145510-06211	2	GASKET, MUFFLER			
3-24	+	130016-03731	1	GASKET, CARBURETOR			
3-26	+	130016-06434	1	GASKET			
3-28	+	130010-10323	1	GASKET		Sus. by V103-000000	
3-28	+	V103-000000	1	GASKET, INTAKE			
	+	101010-06211	1	GASKET, CYL. BASE			
	+	145866-04261	1	GASKET			
		125303-08360	1	GASKET/DIAPHRAGM KIT			
9-22	+	125312-08360	1	DIAPHRAGM, FUEL PUMP			
9-21	+	125325-08360	1	GASKET, PUMP			
9-7	+	125340-34530	1	GASKET, DIAPHRAGM			
9-6	+	125341-08360	1	DIAPHRAGM			
		125300-08560	1	REBUILD KIT			
9-9	+	125337-08260	1	VALVE, INLET NEEDLE			
9-8	+	125322-07260	1	SPRING, COIL			
9-31	+	125323-08260	1	ARM, VALVE			
9-30	+	125338-13930	1	PIN, METERING ARM			

10. Repair Kit

KEY	LV	PART NUMBER	Q'TY	DESCRIPTION	REMARKS	NOTE1	NOTE2
9-23	+	125326-08360	1	STRAINER			
9-11	+	125345-15130	1	PLUG, WELCH			
9-22	+	125312-08360	1	DIAPHRAGM, FUEL PUMP			
9-21	+	125325-08360	1	GASKET, PUMP			
9-6	+	125341-08360	1	DIAPHRAGM			
9-7	+	125340-34530	1	GASKET, DIAPHRAGM			

Index

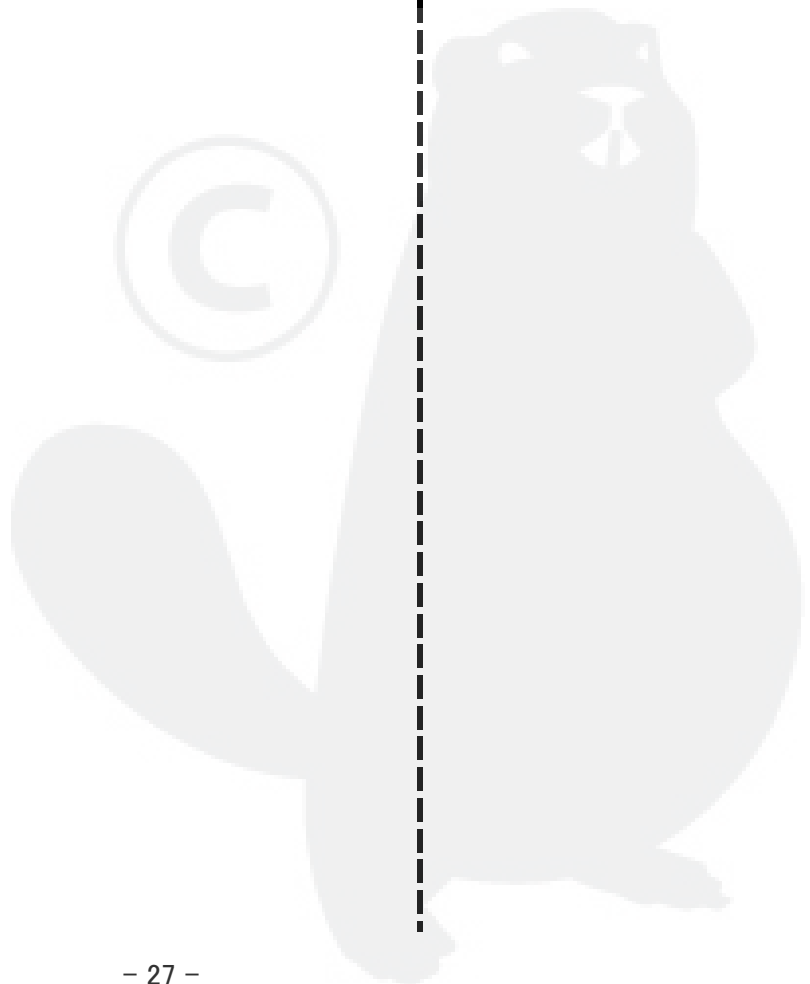
Patrs Number	Key No.	Patrs Number	Key No.	Patrs Number	Key No.
100000-03210	1 - 11	125318-08560	9 - 14	130016-06211	1 - 9
100011-10530	1 - 12	125319-42030	9 - 12	130016-06434	10 - 3-26
100012-12331	1 - 15	125320-08560	9 - 13	130016-06434	3 - 26
100013-00410	1 - 13	125322-07260	10 - 9-8	130305-08360	3 - 9
100015-00120	1 - 14	125322-07260	9 - 8	130305-08361	3 - 9
100100-06210	1 - 32	125323-08260	10 - 9-31	130307-08360	3 - 10
100204-08261	1 - 17	125323-08260	9 - 31	130308-08360	3 - 5
100213-00310	1 - 21	125324-08360	9 - 20	130341-08260	3 - 7
100215-03930	1 - 19	125325-08360	10 - 9-21	130405-09860	3 - 23
100242-10721	10 - 1-22	125325-08360	10 - 9-21	130405-09861	3 - 23
100242-10721	1 - 22	125325-08360	9 - 21	130405-09862	3 - 23
100270-08260	5 - 12	125326-08360	10 - 9-23	130711-08260	3 - 16
100905-08260	6 - 11	125326-08360	9 - 23	130715-08260	3 - 15
100905-08261	6 - 11	125327-13930	9 - 26	131004-06610	4 - 5
100907-08260	6 - 16	125333-08560	9 - 17	131010-08260	4 - 12
101010-06211	10 -	125334-13930	9 - 18	131010-08261	4 - 12
101010-10722	10 - 1-10	125337-08260	10 - 9-9	131010-08263	4 - 12
101010-10722	1 - 10	125337-08260	9 - 9	131010-08264	4 - 12
101011-08260	1 - 6	125338-13930	10 - 9-30	131010-08265	4 - 12
101011-08261	1 - 6	125338-13930	9 - 30	131015-21330	4 - 8
101514-08260	1 - 8	125339-13930	9 - 29	131016-21060	4 - 9
101576-08260	1 - 3	125339-42030	9 - 29	131032-08360	3 - 11
104012-08260	5 - 15	125340-34530	10 - 9-7	131205-19830	4 - 19
104293-21060	8 - 3	125340-34530	10 - 9-7	131314-06320	4 - 7
104913-08360	5 - 23	125340-34530	9 - 7	131600-09861	4 - 5
104915-08260	6 - 7	125341-08360	10 - 9-6	131925-02310	6 - 8
125200-08560	3 - 25	125341-08360	10 - 9-6	132010-08260	4 - 13
125200-08560	9 -	125341-08360	9 - 6	132011-08260	4 - 14
125200-08561	3 - 25	125344-05360	9 - 1	132012-08261	4 - 18
125200-08561	9 -	125344-05360	9 - 1	132015-08260	4 - 21
125200-08562	3 - 25	125344-08560	9 - 18	132016-08260	4 - 15
125200-08562	9 -	125345-15130	10 - 9-11	132021-08260	4 - 16
125200-08563	3 - 25	125345-15130	9 - 11	132115-02960	4 - 17
125200-08563	9 -	125348-13930	9 - 28	145510-06210	10 - 2-32
125200-08564	3 - 25	125350-08360	9 - 27	145510-06210	1 - 4
125200-08564	9 -	125353-20560	9 - 34	145510-06210	2 - 32
125300-08560	10 -	125363-08560	9 - 2	145510-06211	10 - 2-32
125300-08560	9 -	125376-08560	9 - 10	145510-06211	1 - 4
125303-08360	10 -	125378-13930	9 - 17	145510-06211	2 - 32
125303-08360	9 -	125381-08660	9 - 3	145515-21060	2 - 37
125310-05360	9 - 4	125383-08360	9 - 5	145515-21061	2 - 37
125310-13930	9 - 19	129011-08260	3 - 22	145800-21061	2 - 31
125312-08360	10 - 9-22	130007-08260	3 - 27	145809-21061	2 - 35
125312-08360	10 - 9-22	130007-08261	3 - 27	145862-21060	2 - 34
125312-08360	9 - 22	130010-10323	10 - 3-28	145862-21260	2 - 34
125313-08360	9 - 16	130010-10323	3 - 28	145866-04261	10 -
125314-51230	9 - 24	130016-03731	10 - 3-24	145866-21060	2 - 33
125316-08560	9 - 25	130016-03731	3 - 24	145866-21360	2 - 33
125317-08360	9 - 15	130016-06211	10 - 1-9	145887-21060	2 - 38

Index

Patrs Number	Key No.	Patrs Number	Key No.	Patrs Number	Key No.
151112-04630	1 - 27	300010-08361	6 - 9	900235-05025	7 - 11
156111-06160	2 - 7	300012-08260	6 - 17	900238-05010	1 - 7
156601-09861	2 - 6	300032-08360	6 - 15	900238-05010	5 - 32
156800-06161	2 - 4	300105-08260	6 - 5	900238-05018	1 - 26
159010-10230	2 - 10	300105-08261	6 - 5	900238-05018	2 - 5
159011-03432	2 - 9	300217-00610	6 - 3	900238-05018	5 - 18
159012-03433	2 - 8	300217-00610	6 - 23	900238-05025	3 - 18
159116-21231	5 - 30	300300-08261	6 - 1	900238-05025	5 - 21
159129-08260	1 - 25	300333-06160	6 - 6	900238-05045	5 - 3
162007-21260	6 - 24	300614-08260	6 - 19	900242-05057	3 - 20
162021-08260	2 - 11	302914-21060	6 - 22	900246-03012	5 - 25
162023-21061	8 - 14	351010-08260	5 - 7	900253-05016	5 - 4
177200-08260	2 - 17	351110-08260	5 - 5	900253-05016	5 - 35
177202-06210	2 - 13	351335-08260	5 - 26	900253-05016	6 - 10
177214-40630	2 - 19	351337-08260	5 - 6	900253-05016	6 - 10
177215-11120	2 - 20	432617-21060	8 - 22	900253-05030	5 - 31
177218-40630	2 - 16	604030-21060	8 - 1	900323-03014	1 - 33
177220-11120	2 - 24	694029-21060	8 - 20	900345-30025	3 - 6
177226-11120	2 - 21	699118-04560	8 - 4	900501-00010	2 - 1
177227-42030	2 - 22	701017-21060	8 - 19	900516-00005	3 - 14
177228-01110	2 - 23	701017-21061	8 - 19	900516-00005	4 - 10
177234-40630	2 - 15	889000-08262	10 -	900516-00005	5 - 9
177236-40630	2 - 18	889000-08263	10 -	900516-00005	5 - 10
178001-21060	8 - 13	889950-21060	8 - 12	900516-00005	6 - 4
178016-21060	8 - 23	890115-21060	5 - 16	900516-00005	6 - 4
178016-21160	8 - 24	890118-49330	2 - 27	900516-00005	6 - 4
178076-08360	3 - 31	890158-08360	3 - 19	900560-00004	8 - 11
178101-08260	5 - 20	890158-08361	3 - 19	900600-00005	5 - 2
178121-43230	4 - 25	890160-08260	5 - 8	900602-00005	5 - 2
178127-03460	4 - 22	890176-11061	3 - 30	900602-00010	2 - 3
178129-21060	8 - 21	895410-39130	7 - 20	900605-00010	2 - 2
178160-21060	8 - 5	900030-10008	8 - 15	900700-00004	2 - 14
178165-21060	8 - 18	900080-00400	2 - 36	900810-36202	1 - 18
200010-09860	5 - 27	900105-05060	5 - 1	91371-06020	6 - 21
200105-08260	5 - 22	900162-04018	2 - 26	91540-05014	3 - 13
200111-08260	5 - 29	900162-05020	2 - 39	91540-05014	6 - 2
200111-08261	5 - 29	900162-05020	5 - 28	A221-000000	3 - 23
200111-08262	5 - 29	900162-05022	1 - 5	A244-000020	3 - 22
200111-08263	5 - 29	900162-05025	3 - 29	A358-000000	4 - 8
200111-08264	5 - 29	900162-05032	1 - 28	C453-000020	8 - 7
200111-08265	5 - 29	900162-05040	1 - 20	C453-000021	8 - 7
210005-08260	7 - 14	900163-04018	2 - 26	C471-000030	8 - 2
210011-08260	7 - 14	900209-05014	3 - 13	C471-000040	8 - 10
210013-08360	7 - 12	900209-05014	6 - 2	C471-000050	8 - 2
210015-03460	7 - 6	900209-05014	6 - 18	C471-000060	8 - 10
210023-03460	7 - 5	900209-05020	4 - 11	P005-000420	9 - 13
210400-04260	7 - 10	900209-05020	6 - 20	P005-000430	9 - 14
212005-07560	7 - 8	900220-05050	3 - 20	P005-000610	9 - 5
300010-08360	6 - 9	900220-06022	6 - 21	P005-000620	9 - 2

Index

Patrs Number	Key No.	Patrs Number	Key No.	Patrs Number	Key No.
P005-000980	9 - 19				
P005-001040	9 - 10				
P021-000250	6 - 16				
P021-000251	6 - 16				
P021-000380	5 - 33				
P021-000382	5 - 33				
P021-000383	5 - 33				
P021-000384	5 - 33				
P021-000385	5 - 33				
P021-001760	6 - 1				
P021-001761	6 - 1				
P021-003010	8 - 26				
P021-043140	3 - 17				
V103-000000	10 - 3-28				
V103-000000	3 - 28				
V401-000000	5 - 34				
V401-000001	5 - 34				
V401-000002	5 - 34				
V471-000770	4 - 18				
V485-000060	8 - 8				
V485-000071	8 - 9				
V485-000072	8 - 9				
V491-000120	6 - 6				
V495-000300	4 - 25				
V495-000430	7 - 10				



YAMABIKO CORPORATION

7-2 SUEHIROCHO 1-CHOME, OHME, TOKYO 198-8760, JAPAN
PHONE: 81-428-32-6118. FAX: 81-428-32-6145.

ECHO[®]



46HT
No.