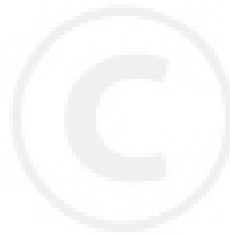




PARTS CATALOG

HANDHELD BLOWER

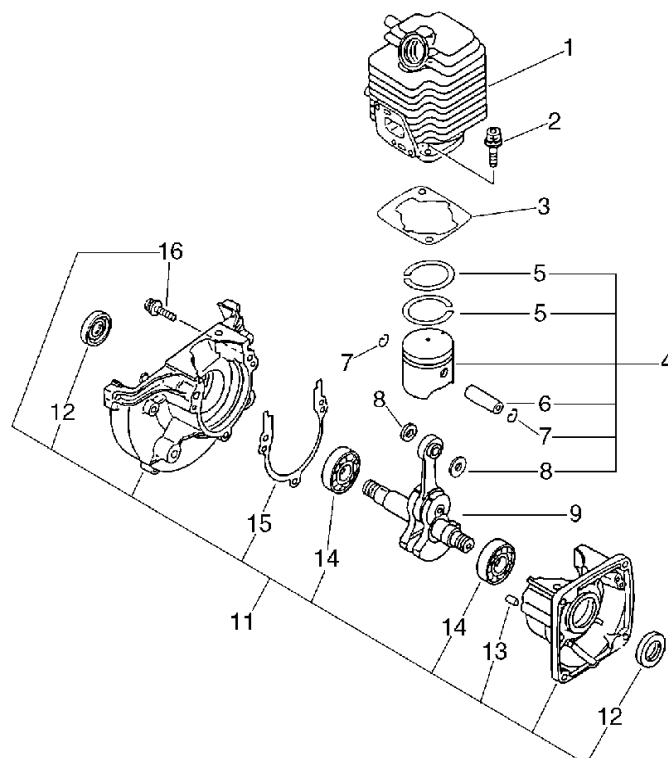
PB-2200S



PB-2200S

1. Cylinder, Crankcase, Piston

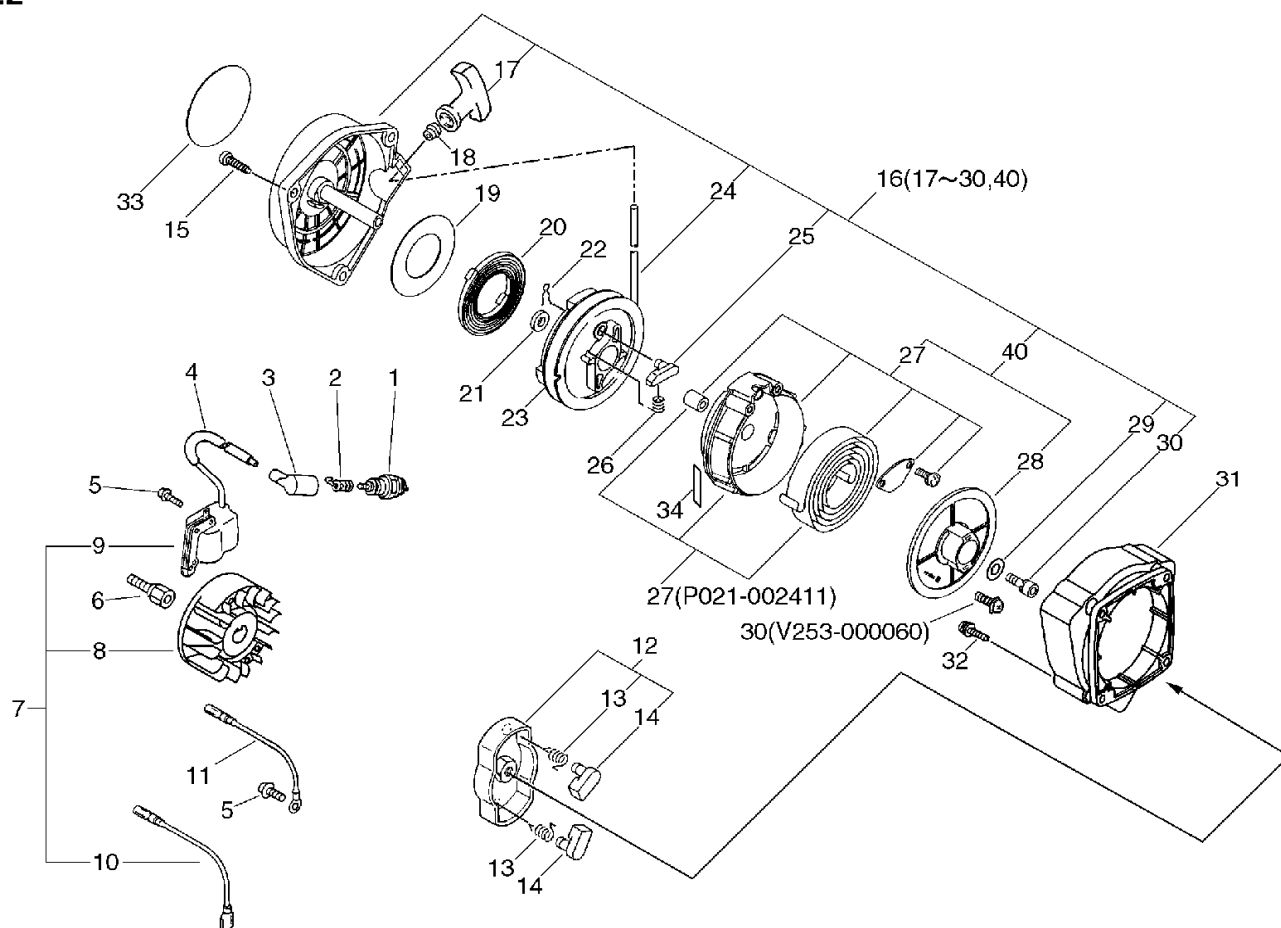
No.1



KEY	LV	PART NUMBER	Q'TY	DESCRIPTION	REMARKS	NOTE1	NOTE2
1		A130-000021	1	CYLINDER			
2		900162-05022	2	BOLT, H.S. 5*22	5*22 W,SW		
3		101010-44332	1	GASKET, CYL. BASE			
4		P021-001101	1	PISTON KIT		Sus. by P021-001102	
4		P021-001102	1	PISTON KIT			
5	+	A101-000000	2	RING,PISTON			
6	+	100013-11520	1	PIN, PISTON			
7	+	100015-04630	2	CIRCLIP, PISTON PIN			
8	+	100014-11520	2	SPACER, PISTON PIN			
9		100100-44733	1	CRANKSHAFT			
11		100204-52130	1	CRANKCASE KIT		Sus. by 100204-52131	
11		100204-52131	1	CRANKCASE KIT			
12	+	100212-42030	2	OILSEAL	ISCD12*22*4.5	Sus. by 100212-42031	
12	+	100212-42031	2	OILSEAL	ISCD 12*22*4.5		
13	+	100215-03930	2	PIN, DOWEL			
14	+	94035-36201	2	BEARING BALL	6201X3JR2C3		
15	+	100242-42030	1	GASKET, CRANKCASE			
16	+	900162-05028	3	BOLT, H.S. 5*28	5*28 W,SW		

2. Starter, Magneto

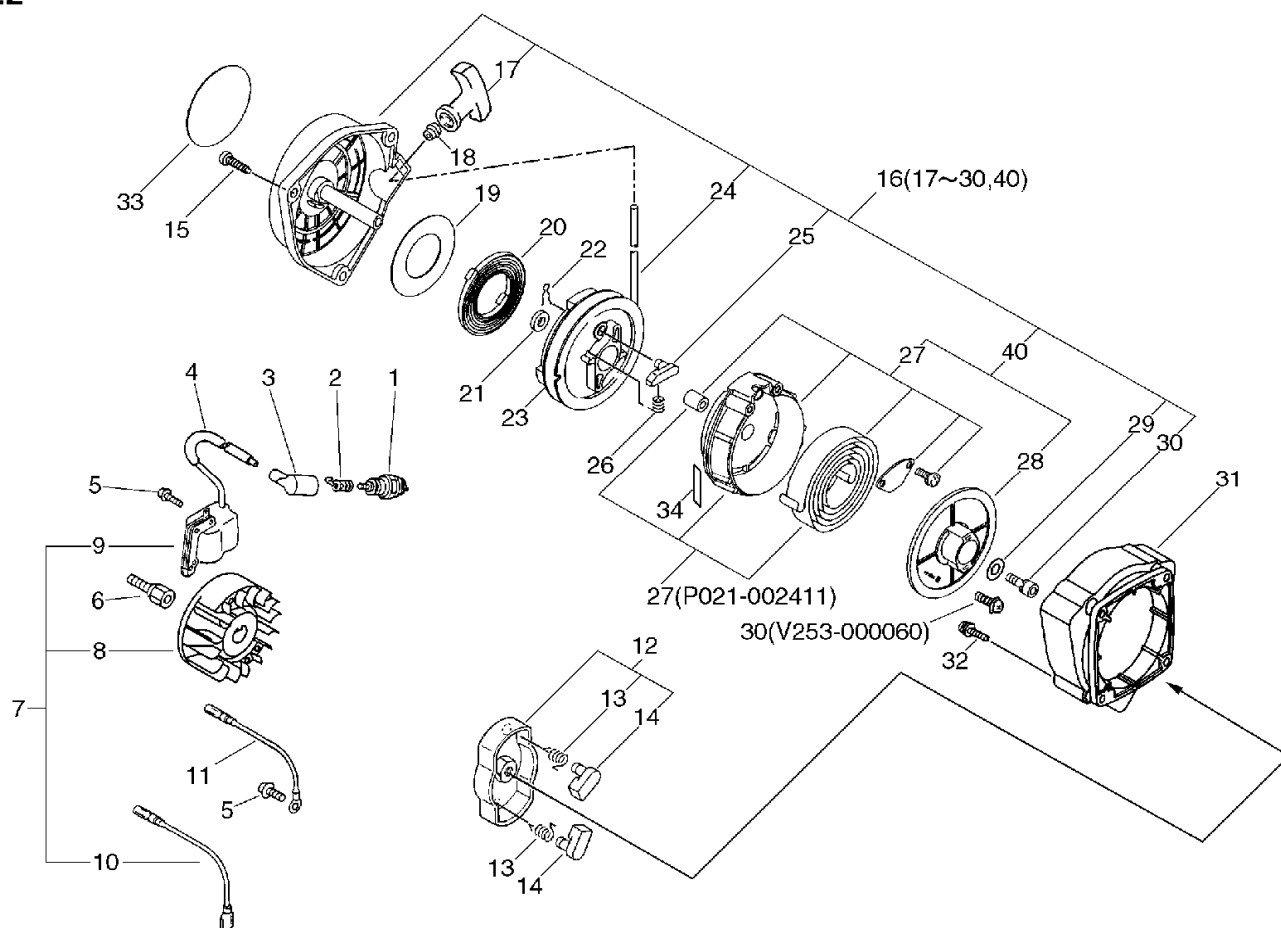
No.2



KEY	LV	PART NUMBER	Q'TY	DESCRIPTION	REMARKS	NOTE1	NOTE2
1		159017-10230	1	PLUG, SPARK (RCJ-7Y)	RCJ-7Y		
2		159011-03432	1	COIL, SPARK PLUG			
3		159012-03433	1	CAP, SPARK PLUG			
4		156611-05060	1	TUBE	6*8*150		
5		900162-04022	2	BOLT, H.S. 4*22	4*22 W,SW		
6		200011-05661	1	HUB, FAN			
7		P021-001181	1	MAGNETO ASY			
8	+	A409-000100	1	ROTOR,MAGNETO			
9	+	A411-000020	1	COIL,IGNITION			
10	+	V485-000040	1	LEAD			
11		162021-20560	1	LEAD	130L		
12		177202-12220	1	PAWL ASSY, STARTER			
13	+	177234-12220	2	SPRING, PAWL			
14	+	177218-44330	2	PAWL, STARTER	BLACK		
15		900253-05020	3	SCREW 5*20	5*20		
16		A051-000183	1	STARTER,RECOIL		Sus. by A051-000186	
16		A051-000184	1	STARTER,RECOIL		Sus. by A051-000186	
16		A051-000185	1	STARTER,RECOIL		Sus. by A051-000186	
16		A051-000186	1	STARTER,RECOIL			
17	+	177228-27030	1	GRIP, STARTER			
18	+	177227-42030	1	GUIDE, ROPE			
19	+	A503-000010	1	PLATE,STARTER			

2. Starter, Magneto

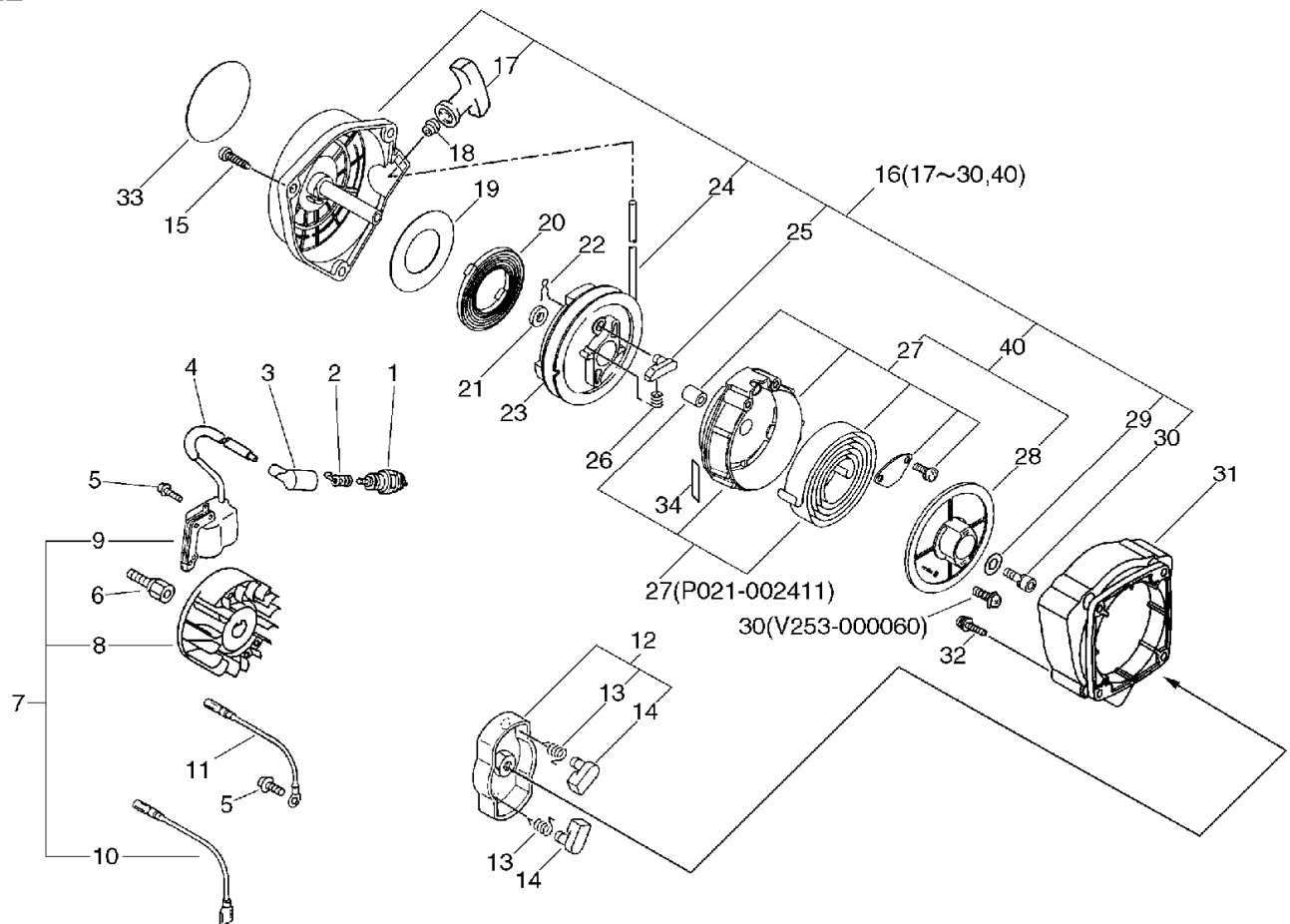
No.2



KEY	LV	PART NUMBER	Q'TY	DESCRIPTION	REMARKS	NOTE1	NOTE2
20	+	A504-000000	1	SPRING, SPIRAL		Sus. by A504-000001	
20	+	A504-000001	1	SPRING, SPIRAL			
21	+	V355-000080	1	COLLAR, 8	8.2*16*3		
22	+	V641-000040	2	PIN, SNAP			
23	+	A506-000010	1	REEL, ROPE			
24	+	177226-10120	1	ROPE, STARTER	3.0*1000		
25	+	A514-000010	2	PAWL			
26	+	V450-000130	2	SPRING, COMPRESSION			
27	+	P021-002411	1	POWER SPRING ASY		Sus. by A053-000010	
40	+	A053-000010	1	SPRING, SET POWER		Sus. by A053-000011	
40	+	A053-000011	1	SPRING, ASM POWER			
27	++	P021-002412	1	POWER SPRING ASY		Sus. by P021-004030	
27	++	P021-004030	1	POWER SPRING ASY			
28	++	A520-000002	1	PULLEY, STARTING		Can be used on the P021-002412 only	
28	+	A520-000001	1	PULLEY, STARTING		Can be used on the P021-002411 only	
29	+	177214-02830	1	WASHER	5.2*16*1.0T	Sus. by V253-000060	

2. Starter, Magneto

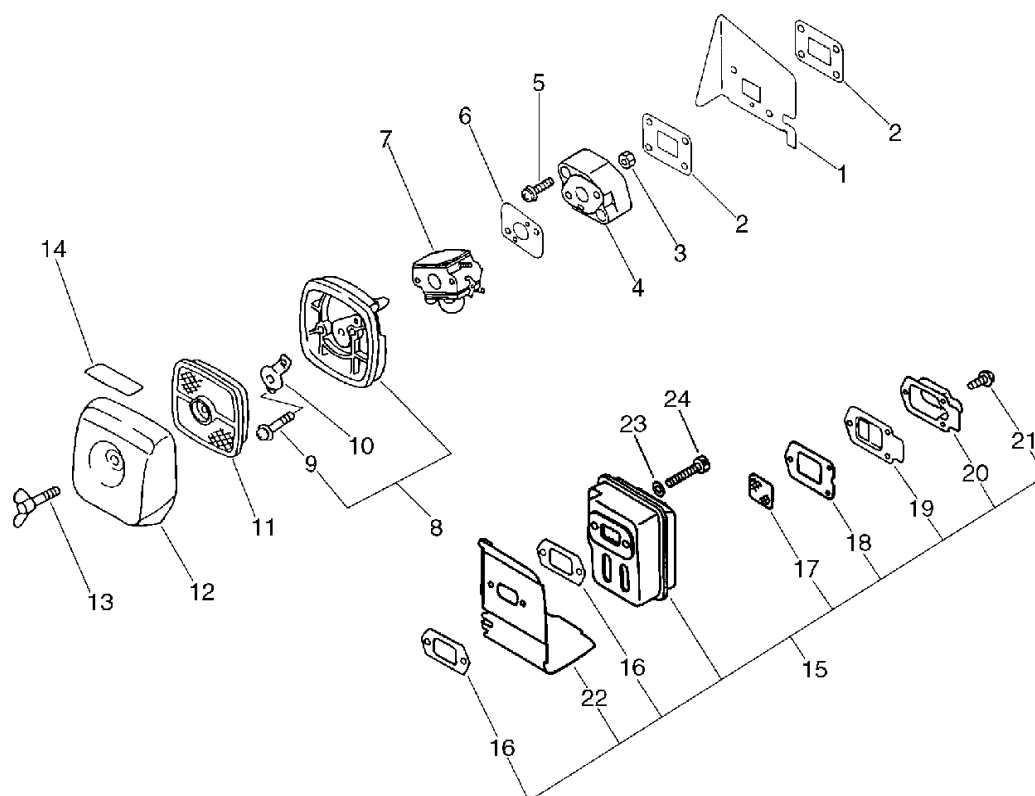
No.2



KEY	LV	PART NUMBER	Q'TY	DESCRIPTION	REMARKS	NOTE1	NOTE2
30	+	900105-05012	1	BOLT, H.S. 5*12	5*12	Sus. by V253-000060	
30	+	V253-000060	1	SCREW,5			
31		V376-000160	1	SPACER			
32		900163-04016	4	BOLT HSH			
33		X502-000030	1	LABEL,ECHO		Sus. by X502-000032	
33		X502-000031	1	LABEL,ECHO		Sus. by X502-000032	
33		X502-000032	1	LABEL,ECHO			
34		X505-000620	1	LABEL,CAUTION			

3. Air Cleaner, Muffler

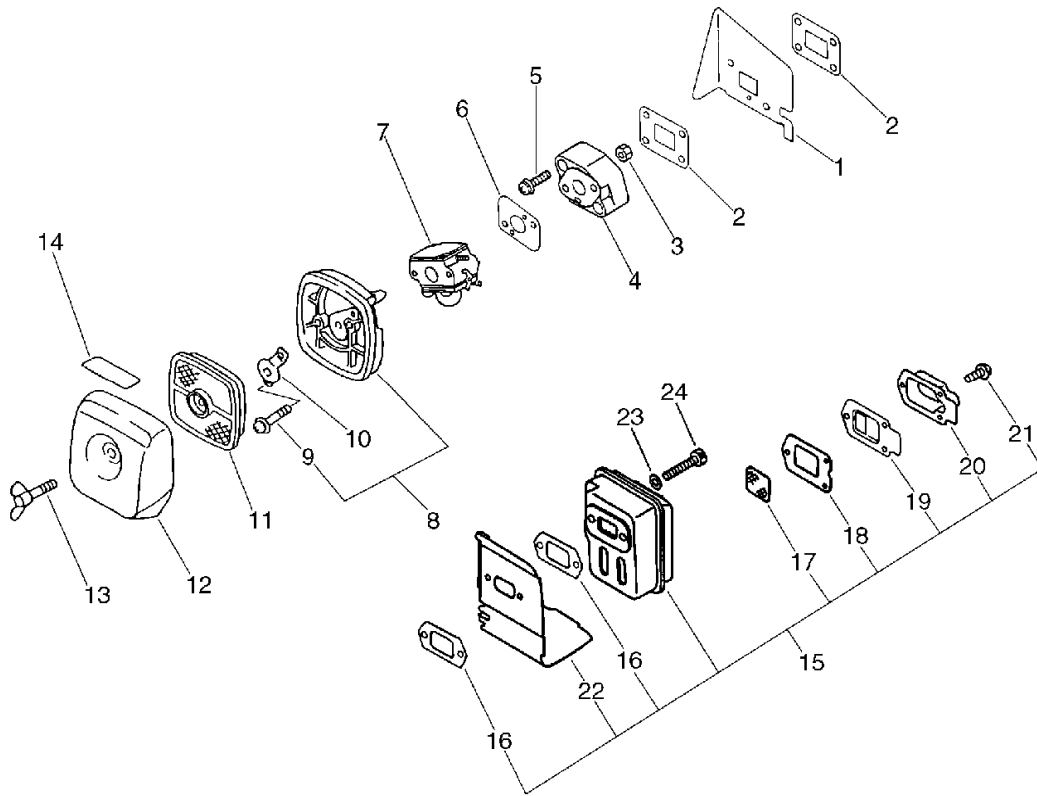
No.3



KEY	LV	PART NUMBER	Q'TY	DESCRIPTION	REMARKS	NOTE1	NOTE2
1		101514-20560	1	COVER, CYLINDER			
2		130010-09561	2	GASKET, INTAKE			
3		900500-00005	2	NUT 5	5		
4		130017-05062	1	INSULATOR, INTAKE			
5		900238-05022	2	SCREW 5*22	5*22		
6		130010-20560	1	GASKET, INTAKE			
7		125200-20661	1	CARBURETOR	C1U-K43B	Sus. by 125200-20662	
7		125200-20662	1	CARBURETOR	C1U-K43B		
8		P021-002921	1	CASE, AIR CLEANER			
9	+	900242-05065	2	SCREW 5*65	5*65		
10		129011-52730	1	PLATE, PREVENT			
11		130310-54130	1	FILTER, AIR			
12		130313-06563	1	LID, AIR CLEANER			
13		210417-52730	1	BOLT, WING	5*20		
14		890121-05360	1	LABEL, METERING			
15		P021-000961	1	MUFFLER ASY		Sus. by P021-000962	
15		P021-000962	1	MUFFLER ASY			
16	+	V104-000160	2	GASKET, EXHAUST			
17	+	145862-40630	1	SCREEN, MUFFLER			
18	+	V104-000002	1	GASKET, EXHAUST		Sus. by V104-000003	
18	+	V104-000003	1	GASKET, EXHAUST			
19	+	145876-42030	1	LID, MUFFLER (B)			
20	+	A313-000020	1	GUIDE, EXH			

3. Air Cleaner, Muffler

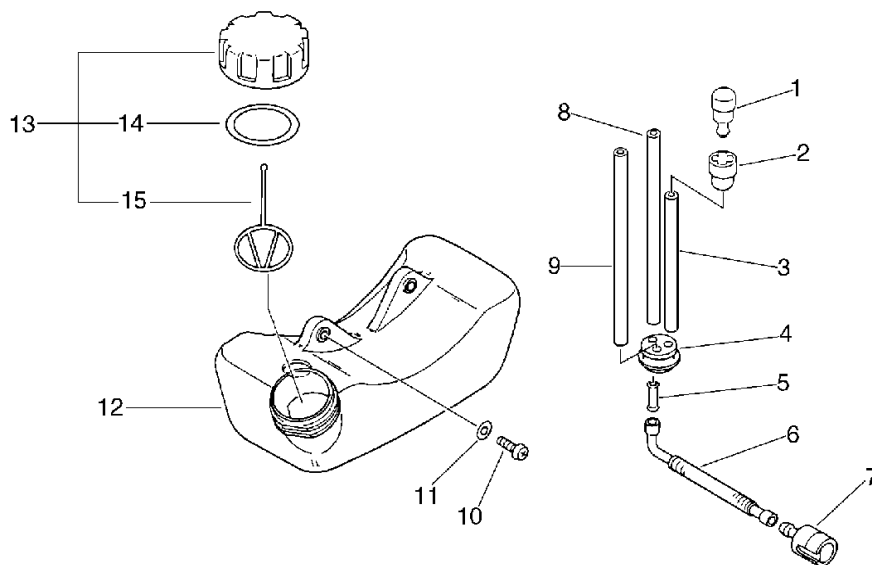
No.3



KEY	LV	PART NUMBER	Q'TY	DESCRIPTION	REMARKS	NOTE1	NOTE2
21	+	900242-04010	3	SCREW 4*10	4*10		
22	+	145871-05760	1	COVER, MUFFLER			
23		900603-00005	2	WASHER 5	5.5*12*0.8		
24		900105-05055	2	BOLT, H.S. 5*55	5*55		

4. Fuel Tank

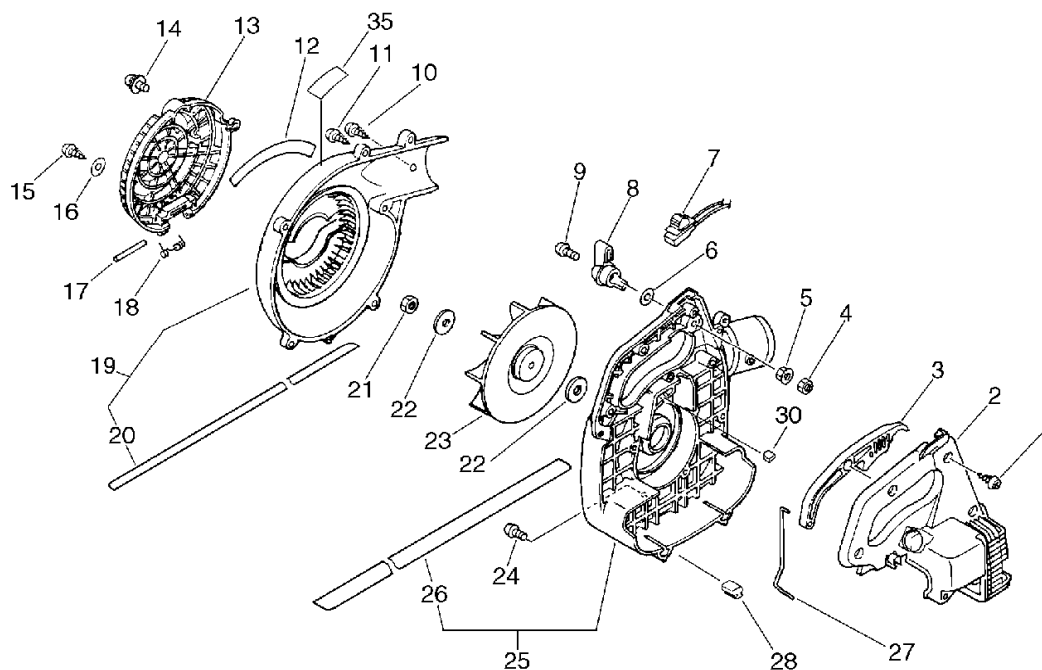
No.4



KEY	LV	PART NUMBER	Q'TY	DESCRIPTION	REMARKS	NOTE1	NOTE2
1		131300-56430	1	VALVE, CHECK		Sus. by A356-000030	
1		A356-000030	1	VALVE,CHECK			
2		131328-40630	1	COVER, VENT			
3		131312-39130	1	PIPE	3*5*70(+3)NBR	Sus. by V471-001200	
3		V471-001200	1	PIPE	3*5*70 NBR		
4		132115-46730	1	GROMMET, FUEL		Sus. by V137-000030	
4		V137-000030	1	GROMMET,FUEL			
5		132011-03360	1	CONNECTOR, FUEL PIPE			
6		132012-12360	1	PIPE, FUEL			
7		131205-07320	1	STRAINER, FUEL			
8		437210-11131	1	PIPE 3*5*90 NBR	3*5*90 NBR	Sus. by V471-001210	
8		V471-001210	1	PIPE	3*5*90 NBR		
9		132010-56330	1	PIPE 3*6*90	3*6*90 YL		
10		900238-05016	2	SCREW 5*16	5*16		
11		900603-00005	2	WASHER 5	5.5*12*0.8		
12		131005-20560	1	TANK, FUEL		Sus. by 131005-20561	
12		131005-20561	1	TANK, FUEL			
13		131004-55530	1	CAP ASSY, FUEL TANK			
14	+	131016-55830	1	GASKET, FUEL CAP			
15	+	131051-56030	1	CLIP, FUEL CAP	100L		

5. Fan Case

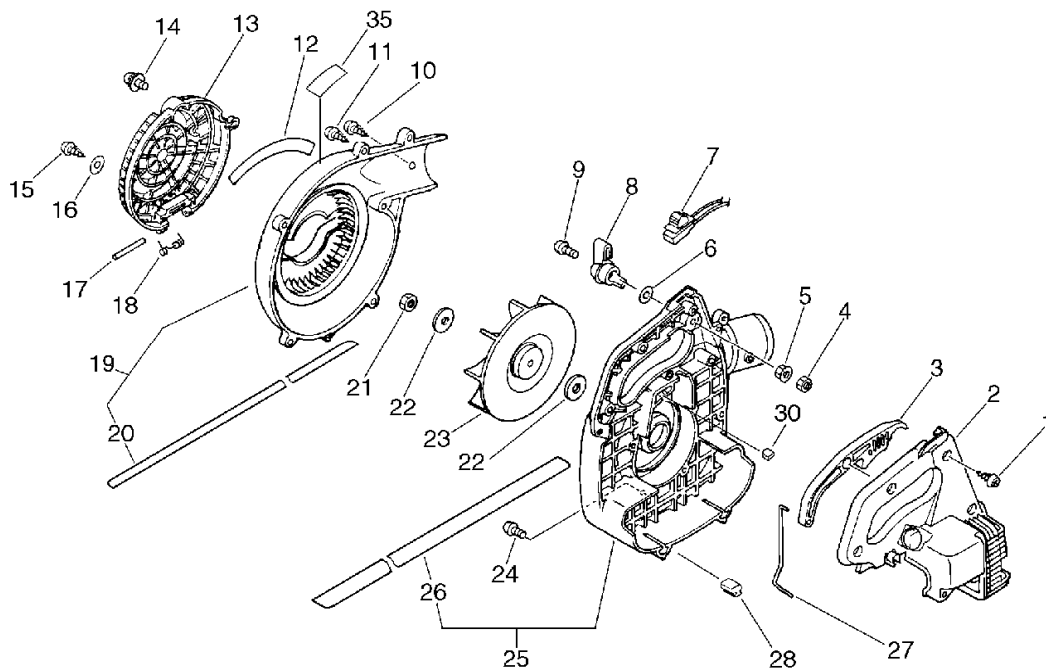
No.5



KEY	LV	PART NUMBER	Q'TY	DESCRIPTION	REMARKS	NOTE1	NOTE2
1		900253-05020	5	SCREW 5*20	5*20	Sus. by 900253-05020 Q'ty:7	
1		900253-05020	7	SCREW 5*20	5*20	Can be used on 104012-20561 only	
2		104012-20560	1	COVER		Sus. by 104012-20561	
2		104012-20561	1	COVER			
3		178010-20560	1	CONTROL, THROTTLE			
4		900502-00005	1	NUT 5 (3N)	3N5		
5		900516-00005	1	NUT, FRANGE 5	5		
6		900603-00005	1	WASHER 5	5.5*12*0.8		
7		163401-20560	1	SWITCH, IGNITION			
8		178054-20560	1	CONTROL, THROTTLE			
9		900238-05025	1	SCREW 5*25	5*25		
10		900256-05010	1	SCREW, TAPPING			
11		900253-05020	6	SCREW 5*20	5*20		
12		X503-002410	1	LABEL,MODEL	PB-2200S		
13		200124-20661	1	GRID, FAN CASE			
14		900238-05022	1	SCREW 5*22	5*22	Sus. by V203-000060	
14		V203-000060	1	BOLT,5			
15		900253-05014	1	SCREW 5*14	5*14		
16		900603-00005	1	WASHER 5	5.5*12*0.8		
17		200150-05060	1	SHAFT, GRID			

5. Fan Case

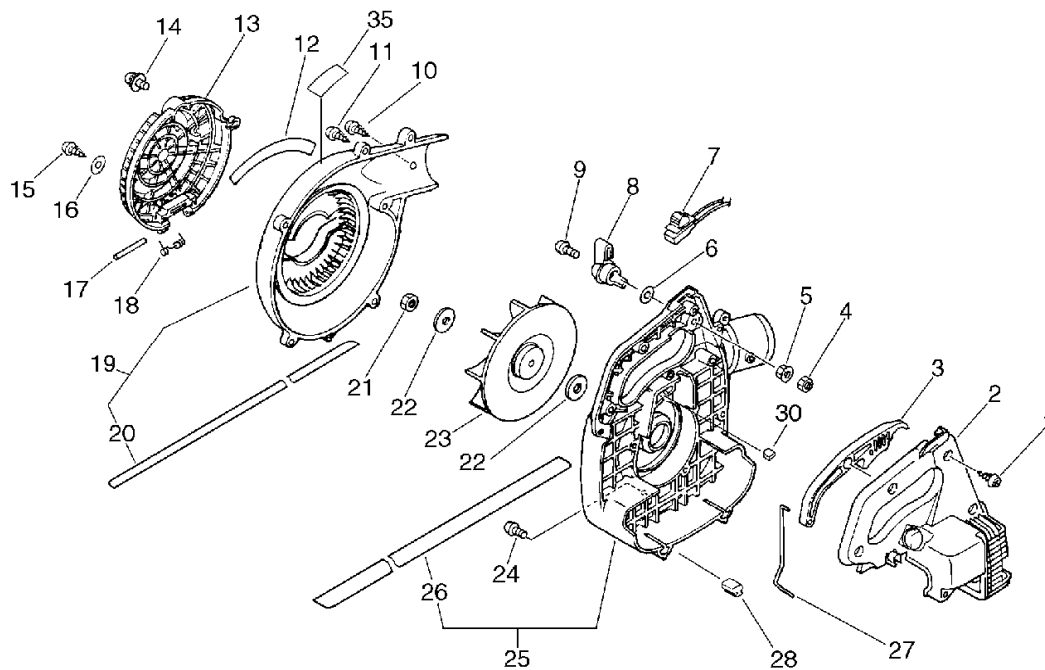
No.5



KEY	LV	PART NUMBER	Q'TY	DESCRIPTION	REMARKS	NOTE1	NOTE2
18		200152-05060	1	SPRING, GRID			
19		200109-20662	1	CASE, FAN		Sus. by 200111-20664	
19		200109-20663	1	CASE, FAN		Sus. by 200111-20664	
19		200111-20663	1	CASE, FAN		Sus. by 200111-20664	
19		200111-20664	1	CASE, FAN			
20	+	220120-20561	1	CUSHION		Can not be used on 200111-20663	
21		900500-00008	1	NUT 8	8*P1.25		
22		100132-05660	2	WASHER	8.2*30*3.0		
23		200010-06363	1	FAN			
24		900162-04022	4	BOLT, H.S. 4*22	4*22 W,SW		
25		200108-20662	1	CASE, FAN		Sus. by P021-003703	
25		P021-003700	1	CASE,FAN(W/PLUG)		Sus. by P021-003703	
25		P021-003701	1	CASE,FAN(W/PLUG)		Sus. by P021-003703	
25		P021-003702	1	CASE,FAN(W/PLUG)		Sus. by P021-003703	
25		P021-003703	1	CASE,FAN(W/PLUG)			

5. Fan Case

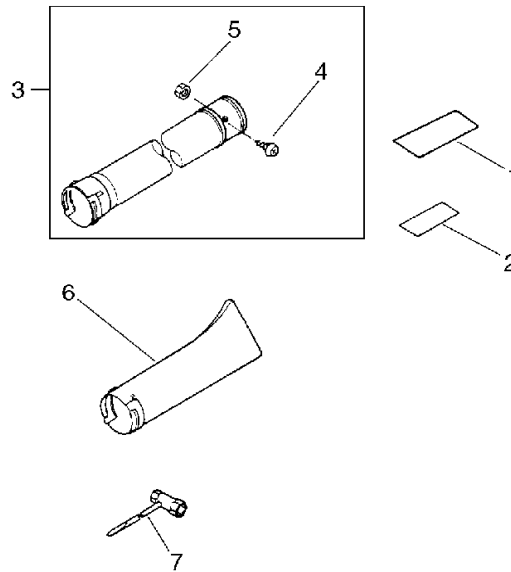
No.5



KEY	LV	PART NUMBER	Q'TY	DESCRIPTION	REMARKS	NOTE1	NOTE2
26	+	220120-20661	1	CUSHION		Can not be used on P021-003702	
30	+	101538-28230	1	GROMMET,PLUG			
27		178011-20560	1	ROD, THROTTLE		Sus. by 178011-20561	
27		178011-20561	1	ROD, THROTTLE			
28		351335-20560	2	CUSHION			
35		X505-001010	1	LABEL,CAUTION			

6. Pipe, Tool

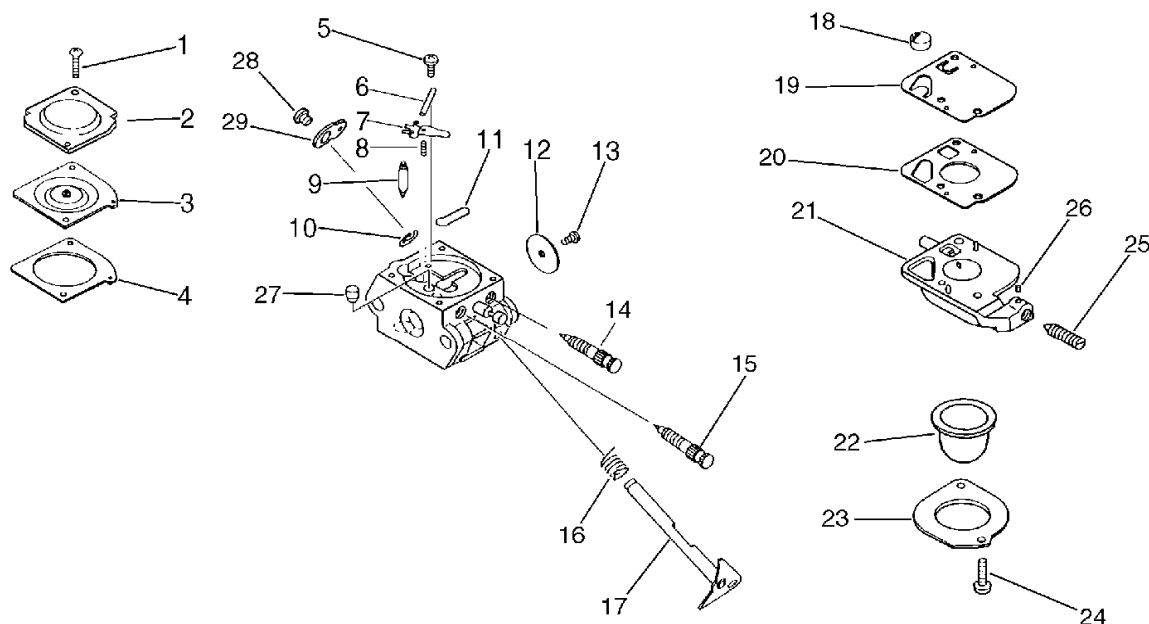
No.6



KEY	LV	PART NUMBER	Q'TY	DESCRIPTION	REMARKS	NOTE1	NOTE2
1		890160-09461	1	LABEL, CAUTION			
2		890160-06361	1	LABEL, CAUTION			
3		210007-20660	1	PIPE, BLOWER			
4	+	900238-05010	1	SCREW 5*10	5*10		
5	+	900500-00005	1	NUT 5	5		
6		210014-20660	1	PIPE, STRAIGHT			
7		895410-00430	1	WRENCH, W/S. DRIVER			

7. Carburetor

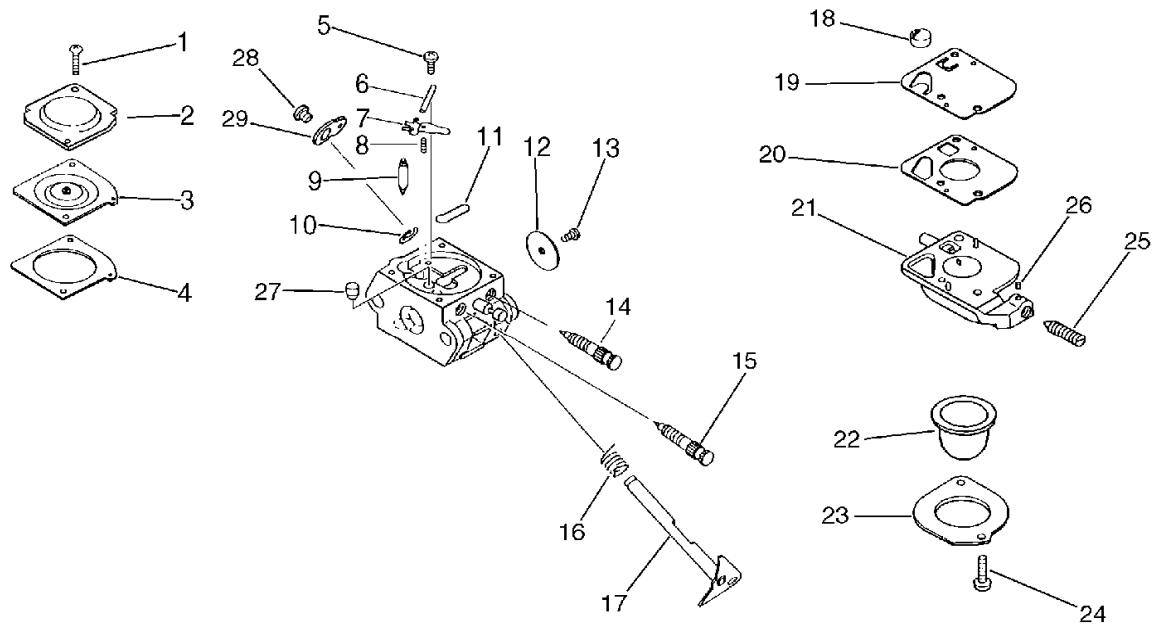
No.7



KEY	LV	PART NUMBER	Q'TY	DESCRIPTION	REMARKS	NOTE1	NOTE2
		125200-20661	1	CARBURETOR	C1U-K43B	Sus. by 125200-20662	
		125200-20662	1	CARBURETOR	C1U-K43B		
1	+	125344-52130	2	SCREW			
2	+	125342-07360	1	COVER, DIAPHRAGM			
3	+	125341-34530	1	DIAPHRAGM			
4	+	125340-20560	1	GASKET, DIAPHRAGM			
5	+	125339-42030	1	SCREW			
6	+	125338-13930	1	PIN, METERING ARM			
7	+	125323-42030	1	LEVER, METERING			
8	+	125322-07260	1	SPRING, COIL			
9	+	125337-06960	1	VALVE, INLET NEEDLE			
10	+	125327-13930	1	CLIP			
11	+	125345-15130	1	PLUG, WELCH			
12	+	125316-20560	1	VALVE, THROTTLE			
13	+	125314-51230	1	SCREW	3*4.5		
14	+	P005-000440	1	SCREW ASY IDLE MIX.			
15	+	125320-13310	1	NEEDLE, HIGH SPEED			
16	+	125313-08560	1	SPRING, THRT. RETURN			
17	+	125317-06860	1	SHAFT, THROTTLE			
18	+	125326-42030	1	STRAINER			
19	+	125312-12820	1	DIAPHRAGM, FUEL PUMP			
20	+	125325-13310	1	GASKET, PUMP			
21	+	125383-13310	1	BASE, PRIMER		Sus. by P005-000990	
21	+	P005-000990	1	BASE, PRIMER			

7. Carburetor

No.7



KEY	LV	PART NUMBER	Q'TY	DESCRIPTION	REMARKS	NOTE1	NOTE2
22	+	125381-08660	1	PUMP, PRIMING			
23	+	125363-11610	1	RING			
24	+	125310-11610	2	SCREW			
25	+	125334-06860	1	SCREW, IDLE ADJUST			
26	+	125378-13930	1	PIECE, FRICTION			
27	+	125376-20660	1	NOZZLE, CHECK VALVE			
28	+	125348-13930	1	SCREW			
29	+	125348-13930	1	SCREW			

8. Repair Kit

KEY	LV	PART NUMBER	Q'TY	DESCRIPTION	REMARKS	NOTE1	NOTE2
		125303-20560	1	GASKET/DIAPHRAGM KIT			
7-3	+	125341-34530	1	DIAPHRAGM			
7-4	+	125340-20560	1	GASKET, DIAPHRAGM			
7-19	+	125312-12820	1	DIAPHRAGM, FUEL PUMP			
7-20	+	125325-13310	1	GASKET, PUMP			
		125300-20560	1	REBUILD KIT			
7-3	+	125341-34530	1	DIAPHRAGM			
7-4	+	125340-20560	1	GASKET, DIAPHRAGM			
7-6	+	125338-13930	1	PIN, METERING ARM			
7-7	+	125323-42030	1	LEVER, METERING			
7-8	+	125322-07260	1	SPRING, COIL			
7-9	+	125337-06960	1	VALVE, INLET NEEDLE			
7-11	+	125345-15130	1	PLUG, WELCH			
7-18	+	125326-42030	1	STRAINER			
7-19	+	125312-12820	1	DIAPHRAGM, FUEL PUMP			
7-20	+	125325-13310	1	GASKET, PUMP			

Index

Patrs Number	Key No.	Patrs Number	Key No.	Patrs Number	Key No.
100013-11520	1 - 6	125340-20560	8 - 7-4	177234-12220	2 - 13
100014-11520	1 - 8	125341-34530	7 - 3	178010-20560	5 - 3
100015-04630	1 - 7	125341-34530	8 - 7-3	178011-20560	5 - 27
100100-44733	1 - 9	125341-34530	8 - 7-3	178011-20561	5 - 27
100132-05660	5 - 22	125342-07360	7 - 2	178054-20560	5 - 8
100204-52130	1 - 11	125344-52130	7 - 1	200010-06363	5 - 23
100204-52131	1 - 11	125345-15130	7 - 11	200011-05661	2 - 6
100212-42030	1 - 12	125345-15130	8 - 7-11	200108-20662	5 - 25
100212-42031	1 - 12	125348-13930	7 - 28	200109-20662	5 - 19
100215-03930	1 - 13	125348-13930	7 - 29	200109-20663	5 - 19
100242-42030	1 - 15	125363-11610	7 - 23	200111-20663	5 - 19
101010-44332	1 - 3	125376-20660	7 - 27	200111-20664	5 - 19
101514-20560	3 - 1	125378-13930	7 - 26	200124-20661	5 - 13
101538-28230	5 - 30	125381-08660	7 - 22	200150-05060	5 - 17
104012-20560	5 - 2	125383-13310	7 - 21	200152-05060	5 - 18
104012-20561	5 - 2	129011-52730	3 - 10	210007-20660	6 - 3
125200-20661	3 - 7	130010-09561	3 - 2	210014-20660	6 - 6
125200-20661	7 -	130010-20560	3 - 6	210417-52730	3 - 13
125200-20662	3 - 7	130017-05062	3 - 4	220120-20561	5 - 20
125200-20662	7 -	130310-54130	3 - 11	220120-20661	5 - 26
125300-20560	8 -	130313-06563	3 - 12	351335-20560	5 - 28
125303-20560	8 -	131004-55530	4 - 13	437210-11131	4 - 8
125310-11610	7 - 24	131005-20560	4 - 12	890121-05360	3 - 14
125312-12820	7 - 19	131005-20561	4 - 12	890160-06361	6 - 2
125312-12820	8 - 7-19	131016-55830	4 - 14	890160-09461	6 - 1
125312-12820	8 - 7-19	131051-56030	4 - 15	895410-00430	6 - 7
125313-08560	7 - 16	131205-07320	4 - 7	900105-05012	2 - 30
125314-51230	7 - 13	131300-56430	4 - 1	900105-05055	3 - 24
125316-20560	7 - 12	131312-39130	4 - 3	900162-04022	2 - 5
125317-06860	7 - 17	131328-40630	4 - 2	900162-04022	5 - 24
125320-13310	7 - 15	132010-56330	4 - 9	900162-05022	1 - 2
125322-07260	7 - 8	132011-03360	4 - 5	900162-05028	1 - 16
125322-07260	8 - 7-8	132012-12360	4 - 6	900163-04016	2 - 32
125323-42030	7 - 7	132115-46730	4 - 4	900238-05010	6 - 4
125323-42030	8 - 7-7	145862-40630	3 - 17	900238-05016	4 - 10
125325-13310	7 - 20	145871-05760	3 - 22	900238-05022	3 - 5
125325-13310	8 - 7-20	145876-42030	3 - 19	900238-05022	5 - 14
125325-13310	8 - 7-20	156611-05060	2 - 4	900238-05025	5 - 9
125326-42030	7 - 18	159011-03432	2 - 2	900242-04010	3 - 21
125326-42030	8 - 7-18	159012-03433	2 - 3	900242-05065	3 - 9
125327-13930	7 - 10	159017-10230	2 - 1	900253-05014	5 - 15
125334-06860	7 - 25	162021-20560	2 - 11	900253-05020	2 - 15
125337-06960	7 - 9	163401-20560	5 - 7	900253-05020	5 - 1
125337-06960	8 - 7-9	177202-12220	2 - 12	900253-05020	5 - 1
125338-13930	7 - 6	177214-02830	2 - 29	900253-05020	5 - 11
125338-13930	8 - 7-6	177218-44330	2 - 14	900256-05010	5 - 10
125339-42030	7 - 5	177226-10120	2 - 24	900500-00005	3 - 3
125340-20560	7 - 4	177227-42030	2 - 18	900500-00005	6 - 5
125340-20560	8 - 7-4	177228-27030	2 - 17	900500-00008	5 - 21

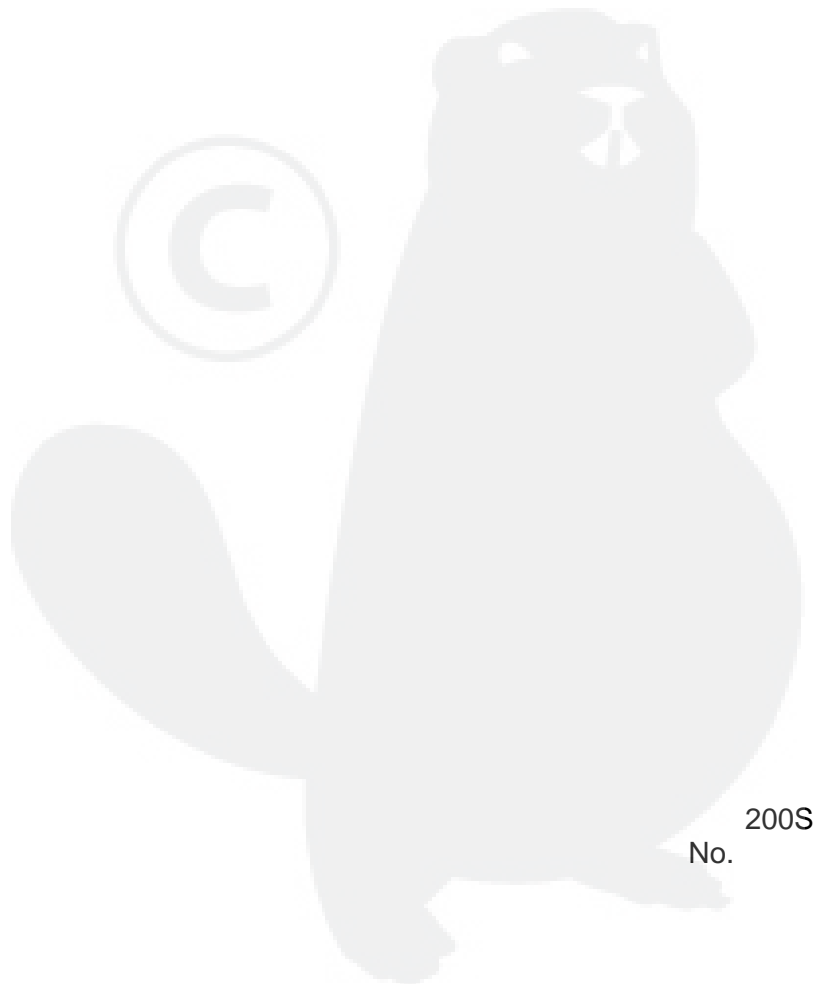
Index

Patrs Number	Key No.	Patrs Number	Key No.	Patrs Number	Key No.
900502-00005	5 - 4	V450-000130	2 - 26		
900516-00005	5 - 5	V471-001200	4 - 3		
900603-00005	3 - 23	V471-001210	4 - 8		
900603-00005	4 - 11	V485-000040	2 - 10		
900603-00005	5 - 6	V641-000040	2 - 22		
900603-00005	5 - 16	X502-000030	2 - 33		
94035-36201	1 - 14	X502-000031	2 - 33		
A051-000183	2 - 16	X502-000032	2 - 33		
A051-000184	2 - 16	X503-002410	5 - 12		
A051-000185	2 - 16	X505-000620	2 - 34		
A051-000186	2 - 16	X505-001010	5 - 35		
A053-000010	2 - 40				
A053-000011	2 - 40				
A101-000000	1 - 5				
A130-000021	1 - 1				
A313-000020	3 - 20				
A356-000030	4 - 1				
A409-000100	2 - 8				
A411-000020	2 - 9				
A503-000010	2 - 19				
A504-000000	2 - 20				
A504-000001	2 - 20				
A506-000010	2 - 23				
A514-000010	2 - 25				
A520-000001	2 - 28				
A520-000002	2 - 28				
P005-000440	7 - 14				
P005-000990	7 - 21				
P021-000961	3 - 15				
P021-000962	3 - 15				
P021-001101	1 - 4				
P021-001102	1 - 4				
P021-001181	2 - 7				
P021-002411	2 - 27				
P021-002412	2 - 27				
P021-002921	3 - 8				
P021-003700	5 - 25				
P021-003701	5 - 25				
P021-003702	5 - 25				
P021-003703	5 - 25				
P021-004030	2 - 27				
V104-000002	3 - 18				
V104-000003	3 - 18				
V104-000160	3 - 16				
V137-000030	4 - 4				
V203-000060	5 - 14				
V253-000060	2 - 30				
V355-000080	2 - 21				
V376-000160	2 - 31				

YAMABIKO CORPORATION

7-2 SUEHIROCHO 1-CHOME, OHME, TOKYO 198-8760, JAPAN
PHONE: 81-428-32-6118. FAX: 81-428-32-6145.

ECHO[®]



200S
No.