



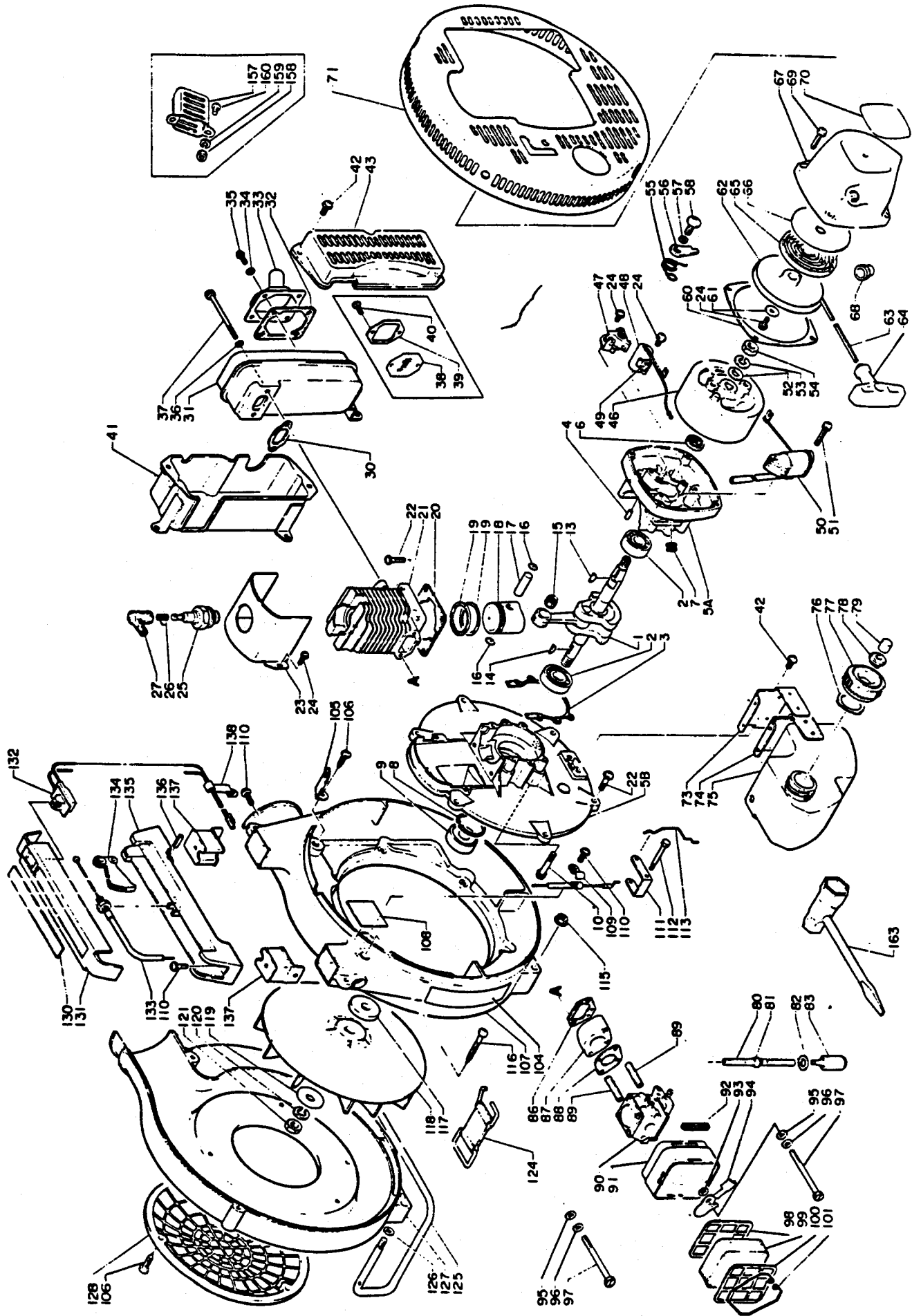
**POWER BLOWER
PARTS CATALOG
MODEL PB-200**

SERIAL NUMBER 001001 & UP

**ECHO, INCORPORATED
400 OAKWOOD ROAD
LAKE ZURICH, IL 60047**

**89856100962
01/92**

PB-200

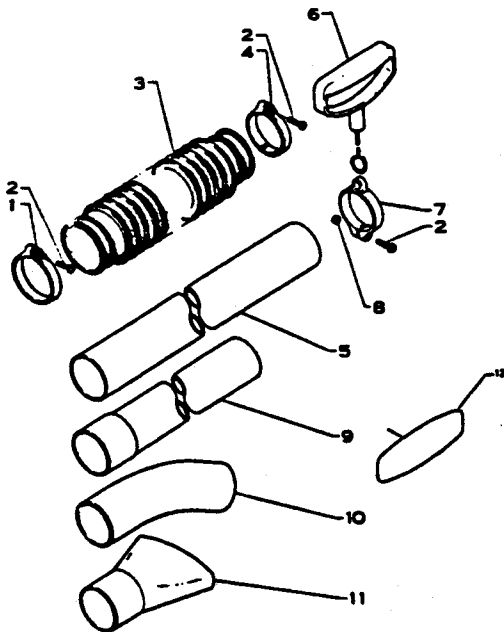


Key No.	Part No.	Q'ty	Description	Key No.	Part No.	Q'ty	Description
1- 1	100 100-1021 0	1	Crankshaft ass'y	1-56	177 218-0393 0	2	Ratchet
2	900 810-3620 1	2	Ball bearing 6201	57	177 247-0463 0	2	Spacer, ratchet
*3	USE KIT	1	Gasket, crankcase	58	177 217-0463 0	2	Screw
5	100 200-0096 0	1	Crankcase set	60	100 615-0463 0	1	Gasket, starter case
4	-100 215-0393 0	2	Knock pin	**	177 200-0753 0	1	Recoil starter ass'y
6	100 212-0463 0	1	Oil seal	24	-900 242-0401 0	1	Screw 4x10 w/W, SW
7	151 112-0463 0	1	Grommet, H.T. cord	61	-177 214-0463 0	1	Washer
8	900 702-0003 2	1	Circlip 32	62	-177 206-0502 0	1	Recoil drum
9	100 212-0393 0	1	Oil seal	63	-177 226-0393 0	1	Starter rope
10	900 242-0502 8	4	Screw 5x28 w/W, SW	64	-177 228-1113 0	1	Starter handle
13	100 142-0031 0	1	Woodruff key	65	-177 220-0393 0	1	Rewind spring
14	610 325-0273 0	1	Woodruff key	66	-177 221-0502 0	1	Side plate, inner
15	175 012-0393 0	1	Needle bearing	67	-177 209-0753 0	1	Starter case
16	100 015-0463 0	2	Circlip, piston pin	68	-177 227-0533 0	1	Rope guide
17	100 013-1021 0	1	Piston pin	69	900 242-0402 0	4	Screw 4x20 w/W, SW
18	100 010-0533 0	1	Piston	70	890 012-0066 2	1	Decal
19	100 011-0533 0	2	Piston ring	71	104 016-0106 0	1	Cover
* 20	USE KIT	1	Gasket, cylinder base	73	131 910-0096 0	1	Retainer, fuel tank
21	101 011-0096 0	1	Cylinder	74	131 920-0096 0	1	Cushion
22	900 242-0501 8	10	Screw 5x18 w/W, SW	75	131 010-0096 0	1	Fuel tank
23	101 514-0096 0	1	Cylinder cover	***	131 004-0632 0	1	Cap ass'y, fuel tank
24	900 242-0401 0	4	Screw 4x10 w/W, SW	76	-131 016-0492 0	1	Gasket, fuel tank cap
25	159 010-0033 0	1	Spark plug BM6A	77	-131 017-0743 0	1	Cap, fuel tank
26	159 011-0051 0	1	Coil spring, spark plug	78	-131 314-0632 0	1	Check valve
27	159 012-0162 0	1	Cap, spark plug	79	-131 315-0502 0	1	Filter, check valve
30	145 510-0463 0	1	Gasket, muffler	80	132 010-0492 0	1	Fuel pipe
*	145 800-0096 0	1	Muffler ass'y	81	132 115-0492 0	1	Grommet
31	-145 605-0096 0	1	Muffler	82	900 603-0000 5	1	Washer 5
32	-145 618-0096 0	1	Gasket, muffler lid	83	131 200-2133 0	1	Fuel strainer
33	-145 619-0096 0	1	Muffler lid	86	130 010-0463 0	1	Gasket
34	-900 610-0000 4	4	Washer	87	130 017-0096 0	1	Insulator
35	-900 220-0401 0	4	Screw 4x10	88	130 016-0693 0	1	Gasket
39	-145 952 0096 0	1	Muffler screen	89	130 019-0393 0	2	Spacer
39	-145 863-0096 0	1	Screen holder	90	123 000-0096 0	1	Carburetor ass'y
40	-900 220-0400 8	2	Screw 4x8	91	130 301-0096 0	1	Case, air cleaner
36	900 600-0000 5	2	Washer 5	92	-178 810-0096 0	1	Grommet
37	900 105-0506 0	2	Bolt 5x60	93	178 516-0083 0	1	Washer
41	145 906-0096 0	1	Muffler cover	94	178 515-0096 0	1	Choke shutter
42	900 242-0501 0	4	Screw 5x10 w/W, SW	95	900 600-0000 5	2	Washer 5
43	145 668-0096 0	1	Muffler cover	96	130 029-0393 0	2	Carburetor washer
46	156 200-0463 1	1	Flywheel	97	130 021-0393 0	2	Bolt
47	156 101-0463 0	1	Contact breaker set	98	130 311-0096 0	1	Air cleaner grid
48	156 127-0463 0	1	Condenser	99	130 310-0096 0	1	Air filter
49	156 134-0463 0	1	Oiler	100	130 319-0096 0	1	Air cleaner grid
50	156 126-0463 0	1	Ignition coil	101	130 316-0096 0	1	Spring, air cleaner
51	900 242-0402 5	2	Screw 4x25 w/W, SW	105	104 007-0096 0	2	Holder, cover
52	100 143-0463 0	1	Washer	106	900 245-0501 4	5	Screw 5x14
53	900 605-0000 8	1	Spring washer 8	107	200 107-0096 0	1	Fan case
54	900 502-0000 8	1	Nut 8	108	890 158-0096 1	1	Decal, caution
55	177 234-0463 2	2	Spring, ratchet	109	178 111-0096 0	1	Set clip

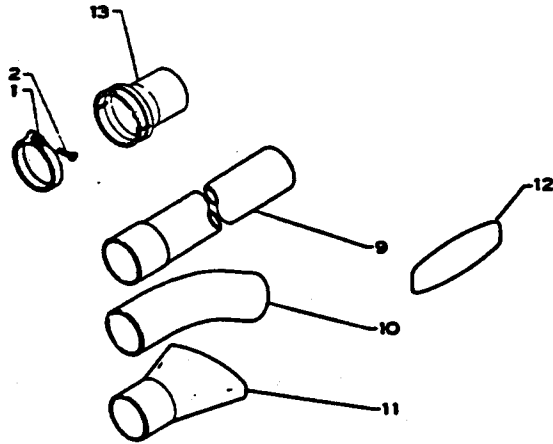
*Use Gasket Kit, P/N 889 000-0096 1

Key No.	Part No.	Q'ty	Description	Key No.	Part No.	Q'ty	Description
1-110	900 242-0501 4	5	Screw 5x14 w/W, SW	1-133	178 001-0096 0	1	Throttle cable
111	178 017-0096 0	1	Arm, throttle lever	134	178 010-0096 0	1	Throttle trigger
112	178 124-0096 0	1	Bolt	135	351 010-0096 0	1	Right handle
113	178 011-0096 0	1	Throttle rod	136	900 340-5001 4	1	Spring pin 5x14
				137	351 008-0096 0	2	Cushion
115	900 515-0000 6	2	Flange nut 6	138	159 112-0096 0	1	Cord clip
116	900 245-0503 5	2	Screw 5x35	155	301 005-0096 0	1	Shoulder band ass'y
117	100 132-1021 0	1	Spacer	156	301 015-0096 0	2	Ring, Shoulder band
118	200 010-0096 0	1	Fan	157	145 874-0096 0	1	Adapter
119	100 136-0096 0	1	Washer	158	900 500-0000 5	2	Nut 5
120	900 605-0001 0	1	Spring washer 10	159	900 605-0000 5	2	Spring washer 5
121	900 503-0001 0	1	Nut 10	160	900 220-0500 8	2	Screw 5x8
124	104 212-0096 0	1	Band	163	895 410-0283 0	1	Box wrench
125	305 110-0096 1	1	Stand				
126	305 118-0096 0	2	Washer				
127	200 110-0096 0	1	Fan case	Remarks: 5 Consists of 5A, 5B and 4. * Consists of 31 thru 35 and 38, 39, 40. ** Consists of 24 and 61 thru 68. *** Consists of 76 thru 79. 91 Includes 92.			
128	200 124-0096 0	1	Grid, fancasing				
130	890 135-0096 0	1	Decal, model				
131	351 012-0096 1	1	Grip, right handle				
132	163 400-0096 0	1	Stop switch				

PB-200 2

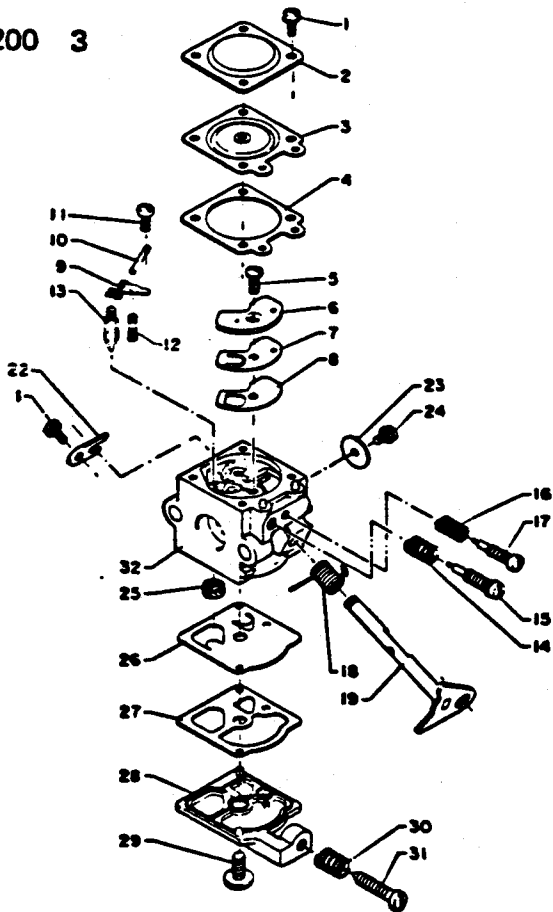


Key No.	Part No.	Q'ty	Description
2- 1	210 407-0066 0	1	Clamp
2	900 220-0502 5	3	Screw 5x25
3	210 012-0096 0	1	Flexible pipe
4	210 406-0066 0	1	Clamp
5	210 014-0096 0	1	Straight pipe
6	351 205-0096 0	1	Left handle
7	351 225-0096 0	1	Left handle supporter
8	900 500-0000 5	1	Nut 5
9	210 015-0096 0	2	Straight pipe
10	210 023-0021 0	1	Curved pipe
11	210 031-0066 0	1	Fan head nozzle
12	890 118-0096 0	2	Decal, ECHO



Key No.	Part No.	Q'ty	Description
2- 1	210 407-0066 0	1	Clamp
2	900 220-0502 5	1	Screw 5x25
9	210 015-0106 0	1	Straight pipe
9	210 001-0096 0	1	Straight pipe (w/Decal)
12	-890 118-0096 0	2	Decal, ECHO
10	210 023-0106 0	1	Curved pipe
11	210 031-0106 0	1	Fan head nozzle
13	210 027-0096 1	1	Adapter

PB-200 3



Key No.	Part No.	Q'ty	Description
3- *	123 000-0096 0	1	Carburetor ass'y WA66
1	A	5	Screw
2	-123 142-0393 0	1	Cover, metering diaphragm
3	A B	1	Diaphragm, metering
4	A B	1	Gasket, metering diaphragm
5	-123 167-0523 0	1	Screw, circuit plate
6	-123 166-0393 0	1	Plate, circuit
7	A B	1	Diaphragm, circuit plate
8	A B	1	Gasket, circuit plate
9	A	1	Lever, metering
10	A	1	Pin, metering lever
11	A	1	Screw, metering lever pin
12	A	1	Spring, metering lever
13	A	1	Valve, inlet needle
14	A	1	Spring, H.S. needle
15	-123 120-0653 0	1	Needle, high speed
16	A	1	Spring, idle needle
17	-123 118-0653 0	1	Needle, idle
18	-123 113-0393 0	1	Spring, throttle return
19	-123 117-0502 0	1	Shaft ass'y, throttle
22	-123 127-0393 0	1	Clip, throttle shaft
23	-123 116-0523 0	1	Valve, throttle
24	-123 114-0393 0	1	Screw, throttle valve
25	A	1	Screen, inlet
26	A B	1	Diaphragm, fuel pump
27	A B	1	Gasket, fuel pump
28	-123 124-0502 0	1	Cover, fuel pump
29	-123 110-0393 0	1	Screw, pump cover
30	-123 133-1113 0	1	Spring, idle screw
31	-123 134-1113 0	1	Screw, idle adjustment
32	-Unavailable	1	Body ass'y, carburetor

Remarks:

* Consists of 1 thru 19 and 22 thru 32.

A-KWIK KIT 123 100-0493 0

B-DIAPHRAGM KIT 123 101-0393 0

01/92