



FITS MODELS

PB-46LN

PB-46HT

PB-60HT

PB-403

PB-460LN

PB-600

PB-601

PB-602

PB-603

PB-610

PB-4600

PB-6000

PARTS CATALOG

**VACUUM
ATTACHMENT**

MODEL PBAV-4600

ECHO, INCORPORATED

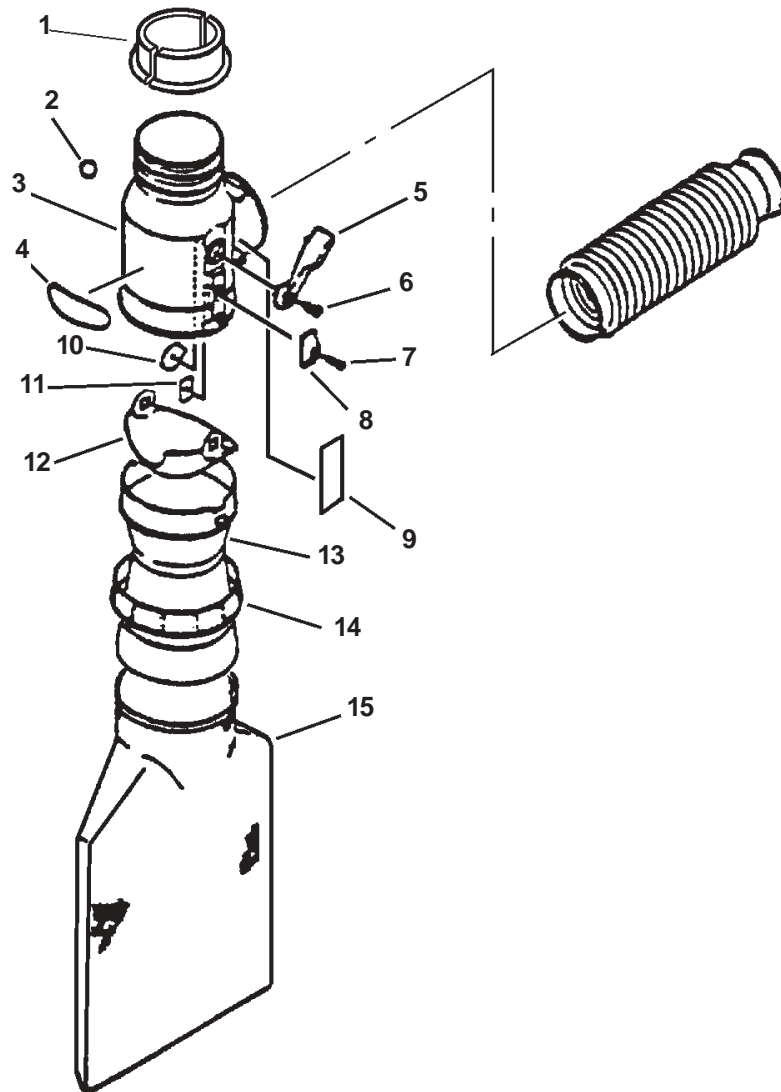
400 Oakwood Road Lake Zurich, Illinois 60047

WWW.ECHO-USA.COM

99922203691

06/11/03

PBAV-4600 VACUUM ATTACHMENT



| ITEM | PART NUMBER | QTY | DESCRIPTION | REMARKS |
|------|-------------|-----|-------------------------|-----------|
| 1 | 21003008260 | 2 | COUPLER, SUCTION | |
| 2 | 90070000008 | 1 | CIRCLIP 8 | |
| 3 | 21501101961 | 1 | TUBE, SUCTION | |
| 4 | 89013844330 | 1 | DECAL, ECHO | |
| 5 | 21511101960 | 1 | LEVER | |
| 6 | 90022005014 | 1 | SCREW, 5X14 | |
| 7 | 90022004014 | 1 | SCREW, 4X14 | |
| 8 | 21501501960 | 1 | STOPPER | |
| 9 | 89017501961 | 1 | DECAL, FUNCTION | |
| 10 | 21511201860 | 1 | WASHER | |
| 11 | 21501601860 | 1 | PLATE | |
| 12 | 21511001961 | 1 | SHUTTER | |
| 13 | 21501201961 | 1 | CONNECTOR | |
| 14 | 21501301961 | 1 | RING, FIXING | |
| 15 | 1960001 | 1 | BAG ASY (MID-MESH) | |
| 16 | 89856101962 | 1 | INSTRUCTIONS, OPERATING | NOT SHOWN |