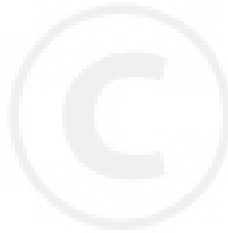




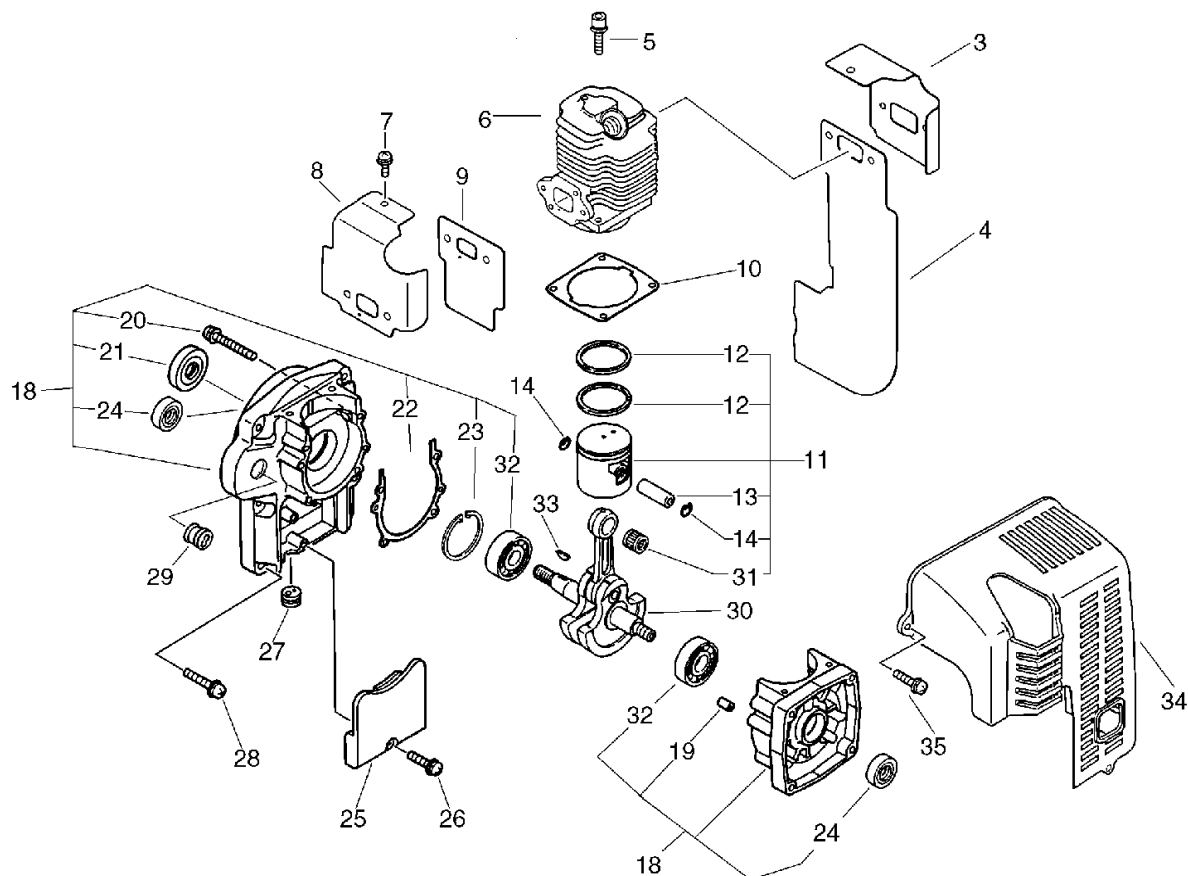
PARTS CATALOG
DUSTER / MIST BLOWER
DMA621F



DMA621F

1. Cylinder, Crankcase, Piston

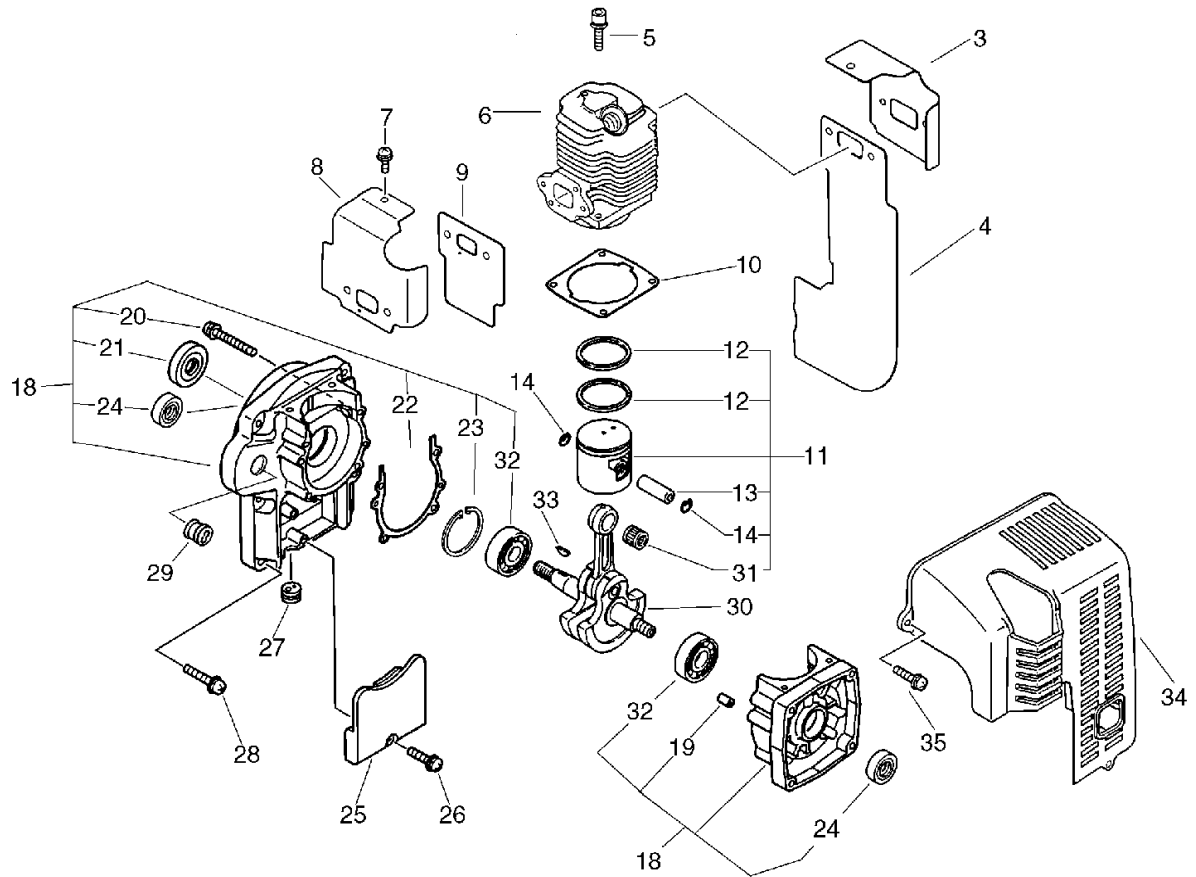
No.1



KEY	LV	PART NUMBER	Q'TY	DESCRIPTION	REMARKS	NOTE1	NOTE2
3		101514-06210	1	COVER, CYLINDER			
4		145512-06210	1	GASKET, MUFFLER		Sus. by 145512-06211	
4		145512-06211	1	GASKET, MUFFLER			
5		900162-05020	4	BOLT, H.S. 5*20	5*20 W,SW		
6		101011-06310	1	CYLINDER			
7		900242-05010	1	SCREW 5*10	5*10		
8		101576-06210	1	COVER, CYLINDER			
9		130016-06211	1	GASKET, INTAKE			
10		101010-06211	1	GASKET, CYL. BASE			
11		100000-06210	1	PISTON KIT			
12	+	100011-32330	2	RING, PISTON			
13	+	100013-06210	1	PIN, PISTON			
14	+	100015-00120	2	CIRCLIP, PISTON PIN			
31	+	100012-12330	1	BEARING, NEEDLE		Sus. by 100012-12331	
31	+	100012-12331	1	BEARING, NEEDLE			
18		100204-06310	1	CRANKCASE KIT		Sus. by 100204-06311	
18		100204-06311	1	CRANKCASE KIT			
19	+	100215-03930	2	PIN, DOWEL			
20	+	900242-05040	4	SCREW 5*40	5*40		
21	+	100213-02830	1	OILSEAL	ISMX15,35,6	Sr/Nr 001300 and before	
22	+	100242-10721	1	GASKET, CRANKCASE			

1. Cylinder, Crankcase, Piston

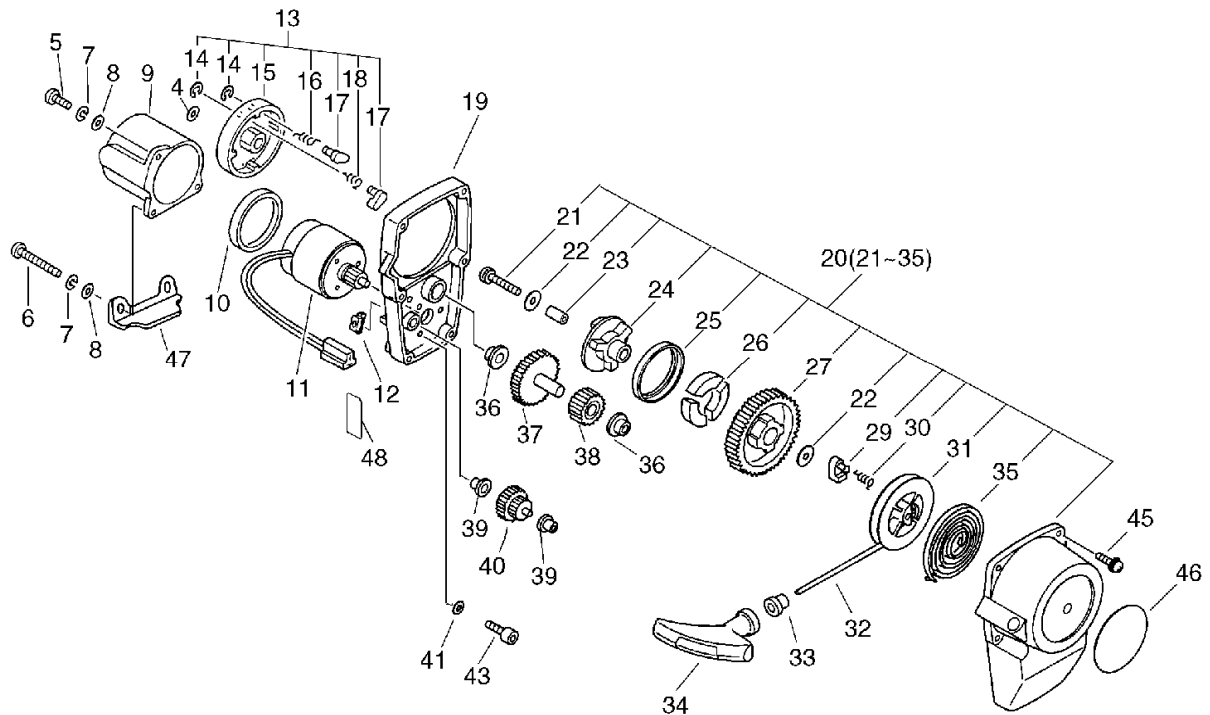
No.1



KEY	LV	PART NUMBER	Q'TY	DESCRIPTION	REMARKS	NOTE1	NOTE2
23	+	900702-00035	1	CIRCLIP 35	CR-35	Sr/Nr 001300 and before	
24	+	100213-00310	1	OILSEAL	ISCD 15 25 7	Sr/Nr 001300 and before	
24	+	100213-00310	2	OILSEAL	ISCD 15 25 7	Sr/Nr 001301 and after	
29	+	150614-02910	1	GROMMET			
32	+	900810-36202	2	BEARING, BALL 6202	6202/C3		
25		159129-08260	1	COVER, DUST			
26		900242-05018	1	SCREW 5*18	5*18		
27		150112-00310	1	BUSHING			
28		900292-05025	6	SCREW 5*25	5*25 SUS		
30		100100-06210	1	CRANKSHAFT ASSY			
33		900323-03014	1	KEY WOODRUFF	3*14		
34		104016-06410	1	COVER, ENGINE			
35		900292-05020	3	SCREW 5*20	5*20 SUS		

2. Starter

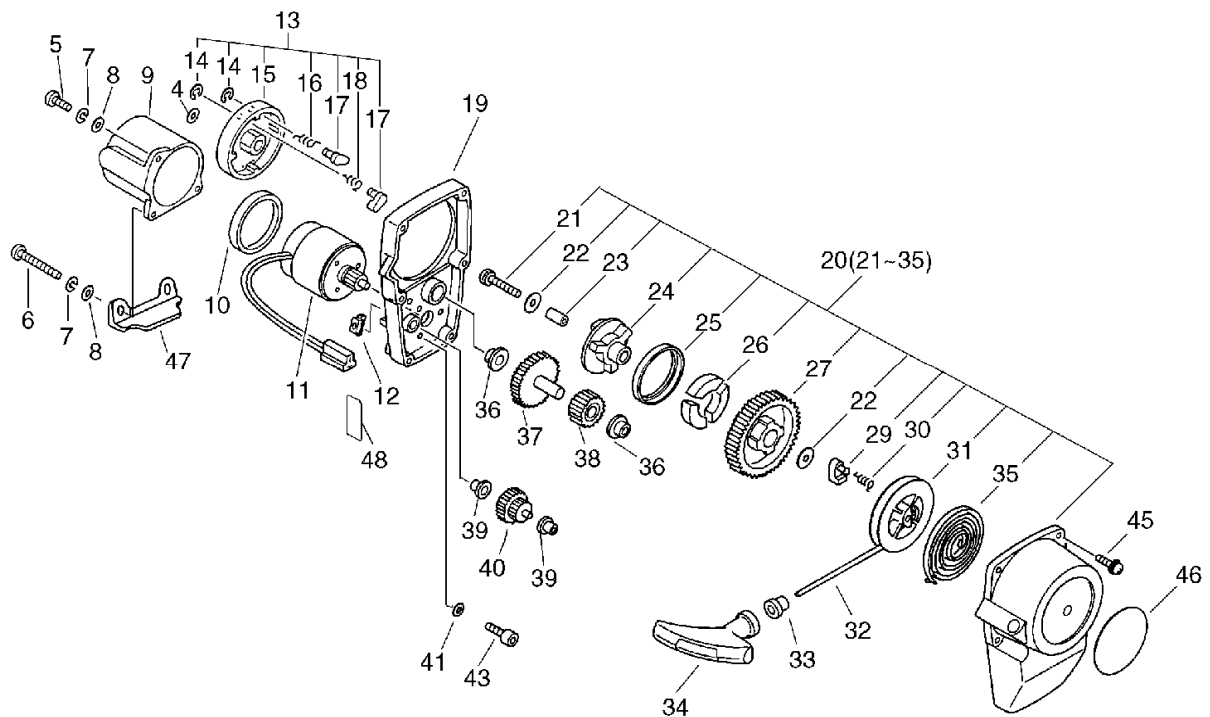
No.2



KEY	LV	PART NUMBER	Q'TY	DESCRIPTION	REMARKS	NOTE1	NOTE2
4		900600-00010	1	WASHER 10	10		
5		160612-06310	1	BOLT 4*16	4*16		
6		160612-06210	2	BOLT 4*40			
7		900605-00004	3	WASHER, SPRING 4	4		
8		900600-00004	3	WASHER 4	4		
9		160510-06310	1	COVER, MOTOR			
10		160511-06310	1	PLATE			
11		160301-06310	1	STARTER MOTOR ASSY			
12		150114-06310	1	GROMMET			
13		177202-06310	1	PAWL ASSY, STARTER			
14	+	900700-00004	4	E-RING 4	CE-4		
15	+	177210-06310	1	CATCHER, PAWL			
16	+	177234-05960	2	SPRING, RETURN			
17	+	177218-06210	4	PAWL, STARTER			
18	+	177234-42030	2	SPRING, RETURN			
19		177232-06310	1	CASE, STARTER			
20		177200-06311	1	STARTER ASSY			
21	+	177236-06310	1	SCREW, SET 6*28 LH	6*28LH		
22	+	177214-06310	2	WASHER			
23	+	177216-06310	1	COLLAR			
24	+	177239-06310	1	CAME			
25	+	177262-06310	1	PLATE, STARTER			
26	+	177233-06310	3	CUSHION			
27	+	160353-06310	1	GEAR (F)			
29	+	177218-06310	2	PAWL, STARTER			
30	+	177234-06310	2	SPRING, RETURN			

2. Starter

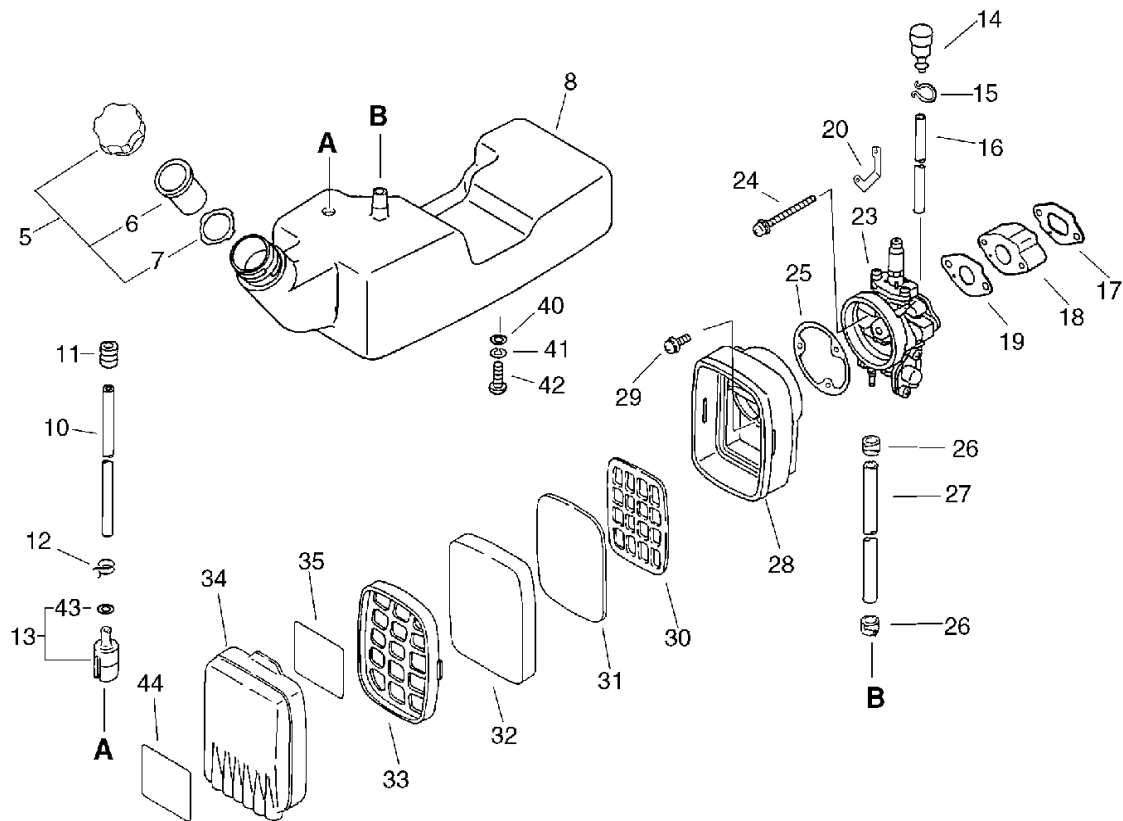
No.2



KEY	LV	PART NUMBER	Q'TY	DESCRIPTION	REMARKS	NOTE1	NOTE2
31	+	177215-06310	1	DRUM, STARTER			
32	+	177226-06310	1	ROPE, STARTER	3.8*1150		
33	+	177227-42030	1	GUIDE, ROPE			
34	+	177228-11120	1	GRIP, STARTER			
35	+	177220-06310	1	SPRING, REWIND			
36		160617-06310	2	BEARING, METAL			
37		160601-06310	1	GEAR (D)			
38		160306-06310	1	GEAR (E)			
39		160616-06310	2	COLLAR			
40		160305-06310	1	GEAR ASSY		Sus. by 160305-56430	
40		160305-56430	1	GEAR ASSY, W/SHAFT			
41		160515-06310	3	WASHER			
43		900241-03008	3	SCREW 3*8	3*8		
45		900162-04030	4	BOLT, H.S. 4*30	4*30 W.SW		
46		890053-00462	1	LABEL, KIORITZ		Sus. by 890053-56330	
46		890053-56330	1	LABEL, KIORITZ 56.5MM	56.5		
47		300029-06310	1	PLATE, ANGLE			
48		890050-06310	1	LABEL, CAUTION			

3. Air Cleaner, Fuel Tank

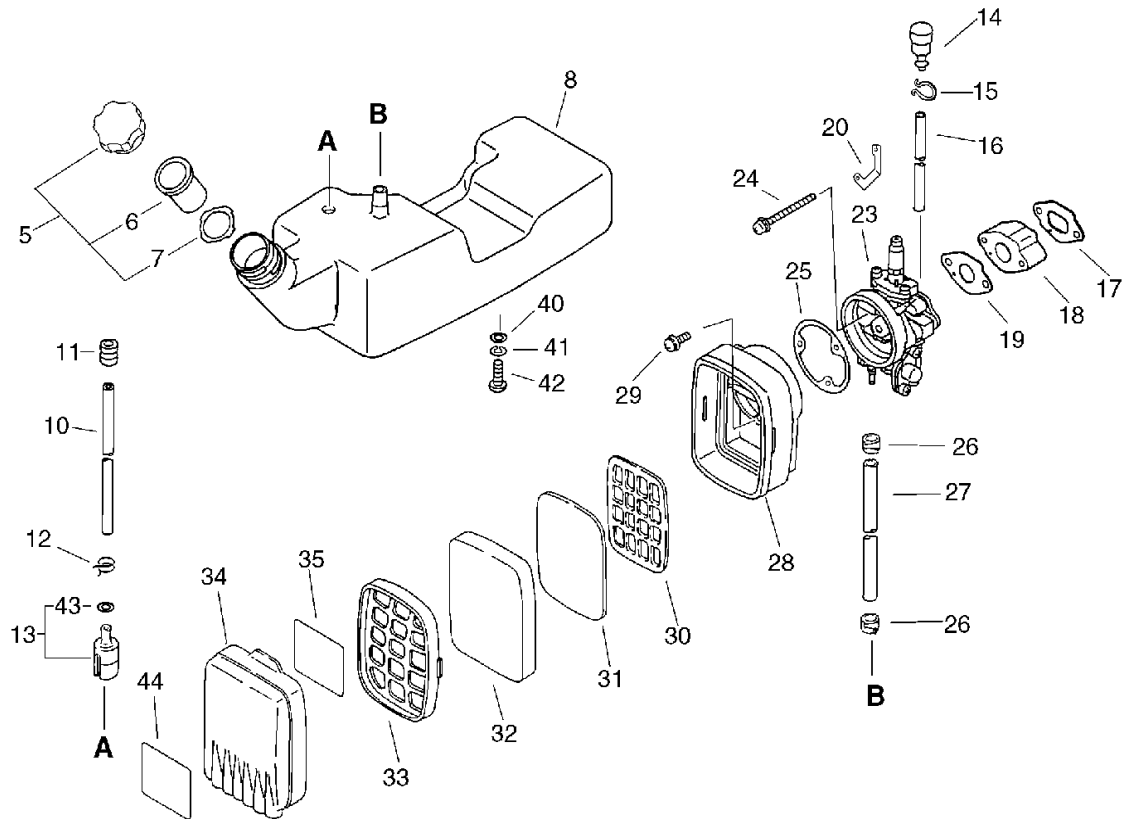
No.3



KEY	LV	PART NUMBER	Q'TY	DESCRIPTION	REMARKS	NOTE1	NOTE2
5		131004-07132	1	CAP ASS'Y, FUEL TANK		Sus. by 131004-06210	
5		131004-06210	1	CAP ASSY, FUEL			
6	+	131003-05330	1	CUP SET, VENT			
7	+	131016-21230	1	GASKET, FUEL CAP		Can be used on the 131004-07132 only	
7	+	131016-21060	1	GASKET, FUEL CAP		Can be used on the 131004-06210 only	
8		131005-06310	1	TANK, FUEL		Sus. by 131005-06313	
8		131005-06311	1	TANK, FUEL		Sus. by 131005-06313	
8		131005-06312	1	TANK, FUEL		Sus. by 131005-06313	
8		131005-06313	1	TANK, FUEL			
10		132010-35430	1	PIPE 3*6*230	3*6*230		
11		132115-12330	1	GROMMET			
12		132013-26630	1	CLIP	6.5MM		
13		131205-05630	1	STRAINER, FUEL			
43	+	900603-00005	1	WASHER 5	5.5*12*0.8		
14		132001-05510	1	VALVE, CHECK			
15		132013-05060	1	CLIP, PIPE			
16		132010-06530	1	PIPE 3*6* 85	3*6* 85		
17		130010-06210	1	GASKET, INTAKE			

3. Air Cleaner, Fuel Tank

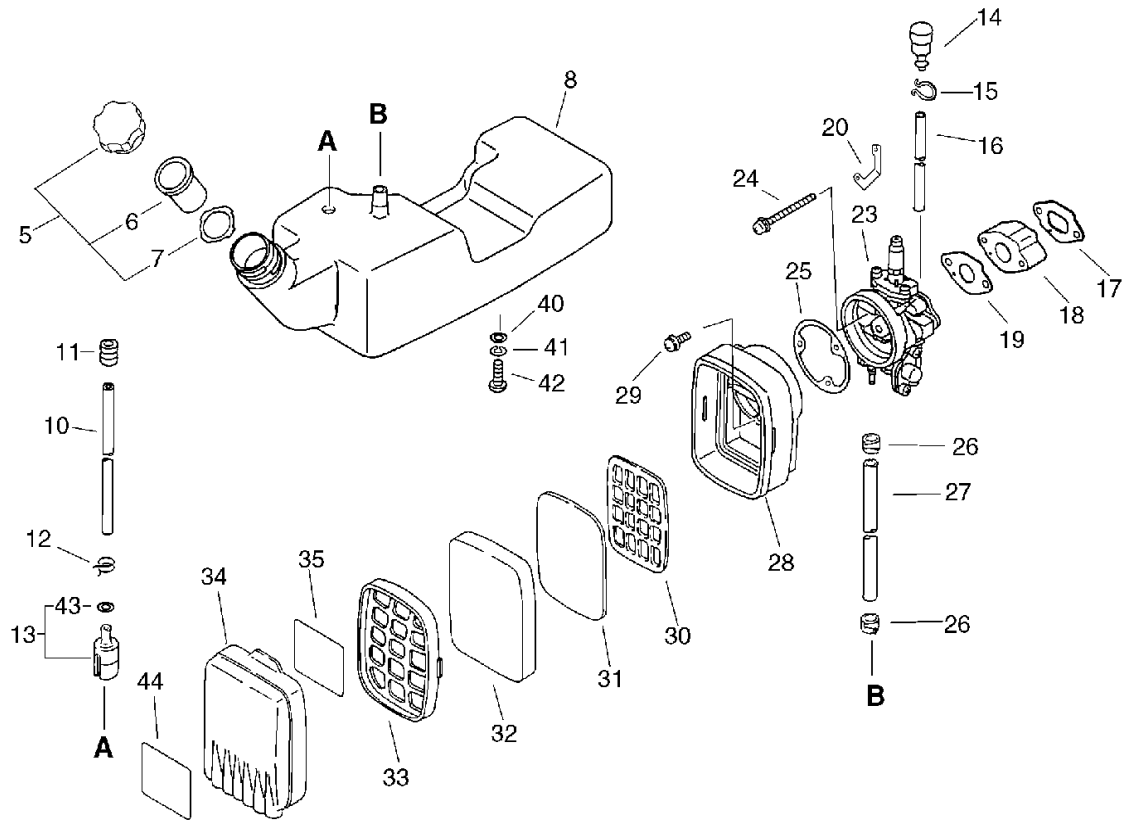
No.3



KEY	LV	PART NUMBER	Q'TY	DESCRIPTION	REMARKS	NOTE1	NOTE2
18		130017-06210	1	INSULATOR			
19		130016-05510	1	GASKET, CARBURETOR			
20		130410-05510	1	BRACKET, AIR CLEANER			
23		124200-06310	1	CARBURETOR ASSY	K15PR-5D	K15PR-5D	
24		900242-06065	2	SCREW 6*65	6*65		
25		130320-05510	1	GASKET, INTAKE			
26		357013-00210	2	CLIP 11	11≧リ	Sus. by 132013-14010	
26		132013-14010	2	BAND	10.5MM		
27		132010-06210	1	PIPE 7*11*70	7*11*70	Sus. by 132010-06410	
27		132010-06410	1	PIPE	5/16*7/16*75YL		
28		130314-05510	1	CASE, AIR CLEANER			
29		900242-04014	3	SCREW 4*14	4*14		
30		130319-03710	1	GRID, AIR CLEANER			
31		130317-03710	1	FILTER, AIR			
32		130310-02910	1	FILTER, AIR			
33		130311-03710	1	GRID, AIR CLEANER			
34		130313-03710	1	COVER, AIR CLEANER			
35		890187-03710	1	LABEL, CLEANER			
40		145642-00760	2	WASHER 6.5*18*1.6	6.5*18*1.6		
41		900605-00006	2	WASHER, SPRING 6	6		
42		900220-06014	2	SCREW +-SR 6*14	6*14		
44		890016-07310	1	LABEL, CAUTION		Sus. by X505-000860	

3. Air Cleaner, Fuel Tank

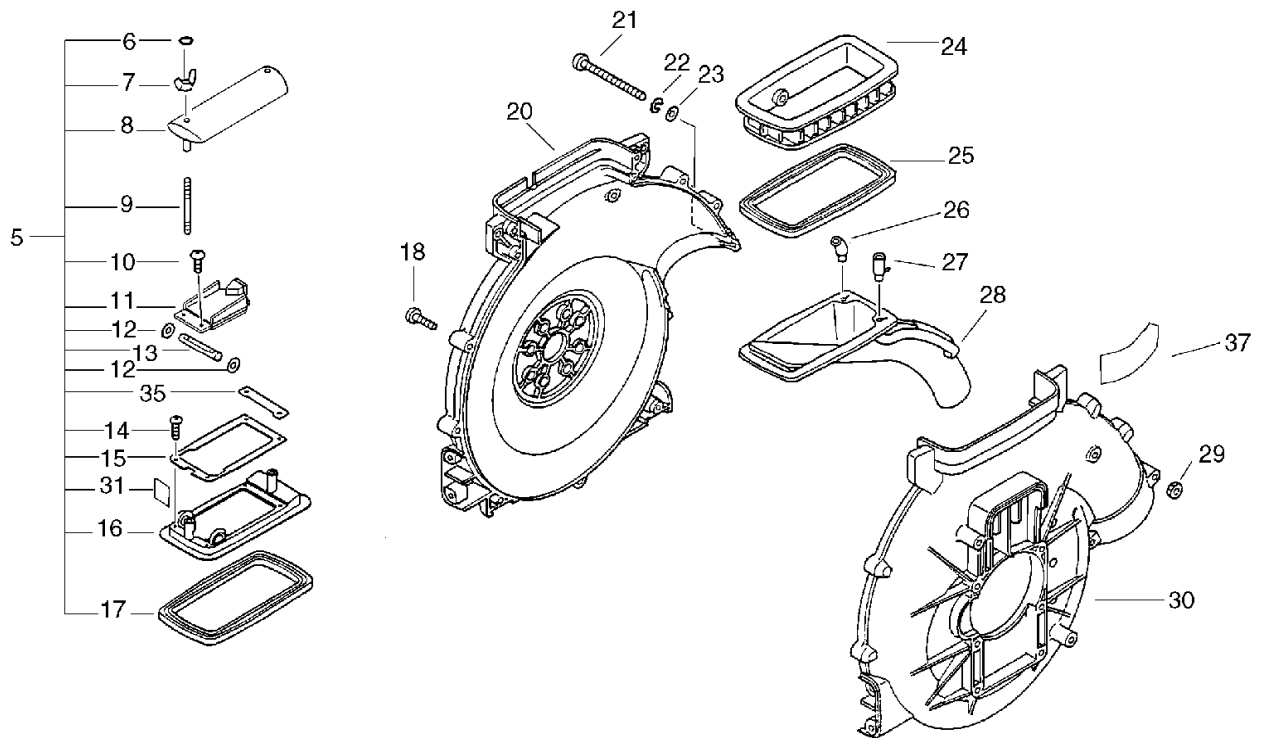
No.3



KEY	LV	PART NUMBER	Q'TY	DESCRIPTION	REMARKS	NOTE1	NOTE2
44		X505-000860	1	LABEL,CAUTION			

4. Fan Case, Lower Tank

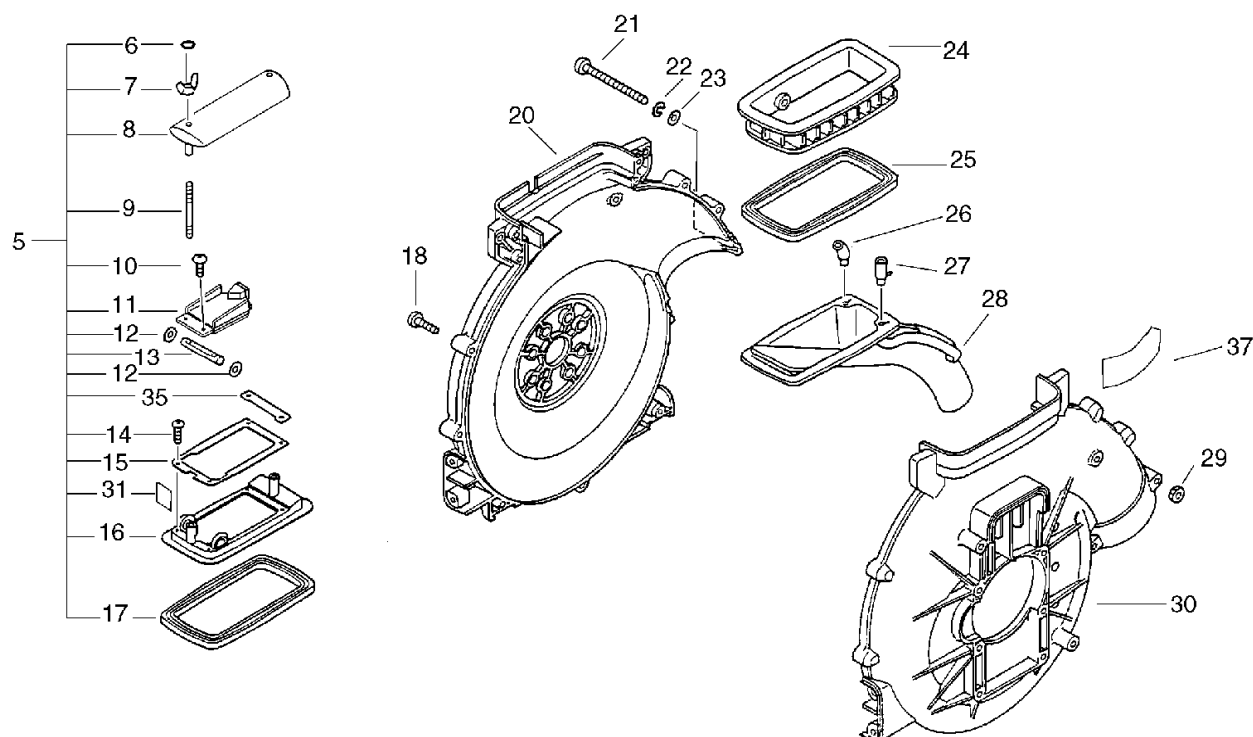
No.4



KEY	LV	PART NUMBER	Q'TY	DESCRIPTION	REMARKS	NOTE1	NOTE2
5		275100-06312	1	SHUTTER ASSY		Sus. by 275100-06314	
5		275100-06313	1	SHUTTER ASY		Sus. by 275100-06314	
5		275100-06314	1	SHUTTER ASY			
6	+	900720-00004	1	O-RING (P-4)	P-4		
7	+	900539-00005	1	NUT, WING 5	5		
8	+	250110-06212	1	STABILIZER			
9	+	270015-06211	1	BOLT, STUD	5*50		
10	+	900226-04010	2	SCREW, 4*10	4*10 SUS		
11	+	275106-06310	1	SHUTTER, METERING		Sus. by 275106-06410	
11	+	275106-06311	1	SHUTTER, METERING		Sus. by 275106-06410	
11	+	275106-06410	1	SHUTTER ASY			
12	+	275123-05510	2	SPACER 10*19.5*0.3	10*19.5*0.3		
13	+	270153-06210	1	SHAFT, SHUTTER			
14	+	900295-04014	4	SCREW 4*14	4*14 SUS		
15	+	270110-06210	1	SHUTTER			
16	+	270112-06210	1	SHUTTER, METERING		Sus. by 270112-06211	
16	+	270112-06211	1	SHUTTER, METERING			
17	+	270119-06210	1	GASKET, SHUTTER			
31	+	210035-06310	1	PACKING, DUST			
35	+	270122-06211	1	PLATE, EYE			
18		900286-05025	11	SCREW 5*25 SUS	5*25 SUS		

4. Fan Case, Lower Tank

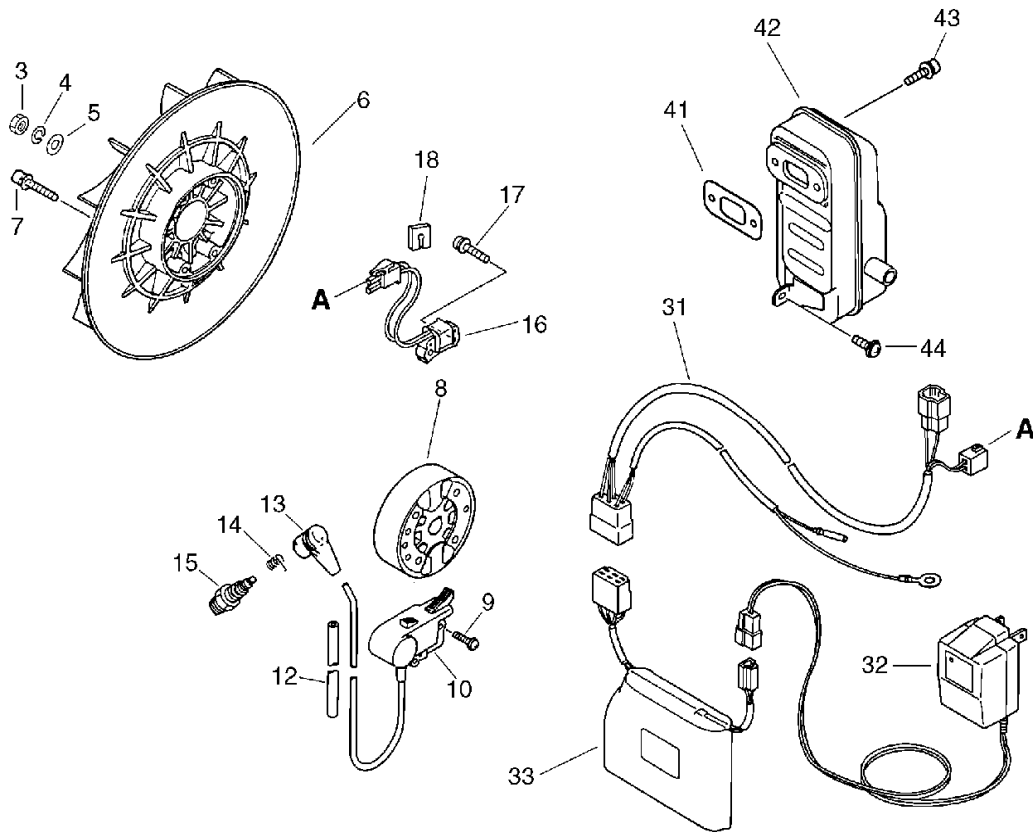
No.4



KEY	LV	PART NUMBER	Q'TY	DESCRIPTION	REMARKS	NOTE1	NOTE2
20		200107-06210	1	CASE, FAN		Sus. by 200107-06310	
20		200107-06310	1	CASE, FAN			
21		210425-04110	2	BOLT			
22		900609-00005	2	WASHER, SPRING 5 SUS	5 SUS		
23		900604-00005	2	WASHER 5 SUS	5 SUS		
24		270010-06211	1	TANK, LOWER			
25		270018-06210	1	PACKING			
26		370321-06210	1	PLATE			
27		370316-06210	1	GUIDE, AIR			
28		370301-06210	1	PIPE, DUST OUTLET		Sus. by 370301-06211	
28		370301-06211	1	PIPE, DUST OUTLET			
29		900504-00005	2	NUT 5B	5B		
30		200105-06210	1	CASE, FAN		Sus. by 200105-06310	
30		200105-06310	1	CASE, FAN			
37		890098-06210	1	LABEL, CAUTION		Sus. by 890098-06211	
37		890098-06211	1	LABEL, CAUTION			

5. Magneto, Muffler, Battery

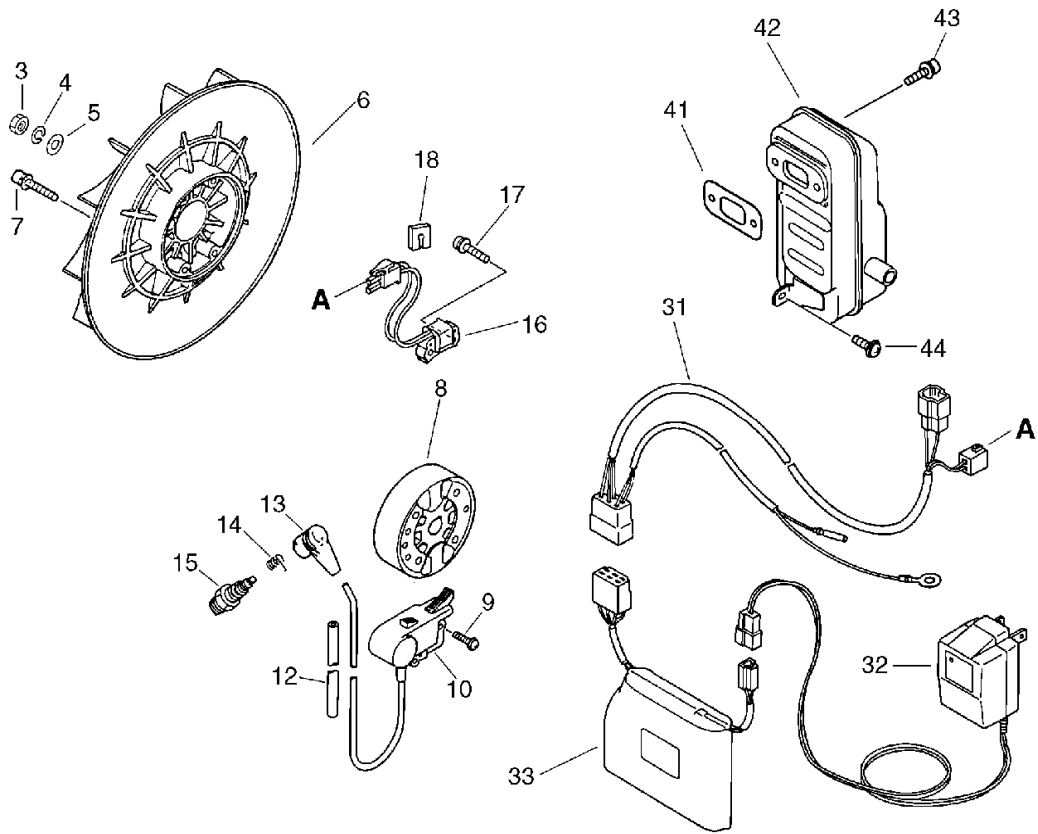
No.5



KEY	LV	PART NUMBER	Q'TY	DESCRIPTION	REMARKS	NOTE1	NOTE2
3		900501-00010	1	NUT 10*1.25	10*P1.25		
4		900605-00010	1	WASHER, SPRING 10	10		
5		900602-00010	1	WASHER 10(10.5*21*2)	10.5*21*2		
6		200005-06210	1	FAN			
7		900148-05035	4	BOLT 5*35	5*35		
8		156800-06211	1	ROTOR			
9		900242-05018	2	SCREW 5*18	5*18		
10		156601-06211	1	C.D. IGNITION MODULE			
12		156611-04260	1	TUBE	6*8*340		
13		159012-03433	1	CAP, SPARK PLUG			
14		159011-03432	1	COIL, SPARK PLUG			
15		159010-19630	1	PLUG, SPARK (BPM-7Y)	BPM-7Y		
16		161310-48130	1	COIL, CHARGER			
17		900242-04020	2	SCREW 4*20	4*20		
18		150114-04920	1	BUSHING			
31		162080-06311	1	HARNESS, WIRE			
32		161300-06310	1	CHARGER			
33		160020-06310	1	BATTERY ASSY			
41		145510-06210	1	GASKET, MUFFLER		Sus. by 145510-06211	
41		145510-06211	1	GASKET, MUFFLER			
42		145610-06210	1	MUFFLER		Sus. by 145610-06212	
42		145610-06211	1	MUFFLER		Sus. by 145610-06212	
42		145610-06212	1	MUFFLER			

5. Magneto, Muffler, Battery

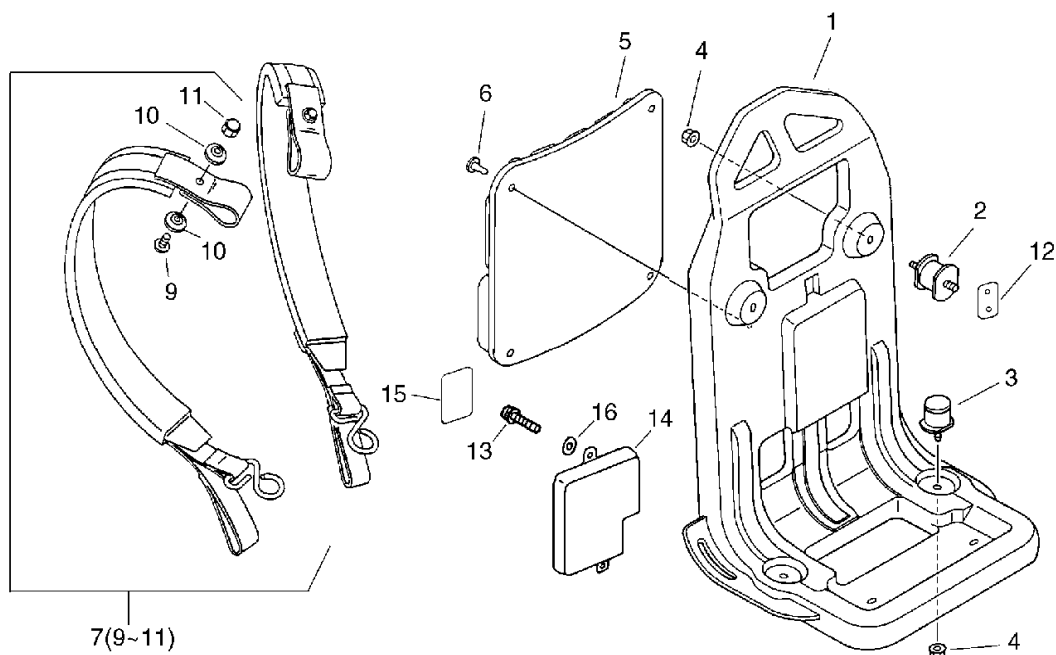
No.5



KEY	LV	PART NUMBER	Q'TY	DESCRIPTION	REMARKS	NOTE1	NOTE2
43		900105-06020	2	BOLT, H.S. 6*20	6*20		
44		900242-05014	1	SCREW 5*14	5*14		

6. Harness

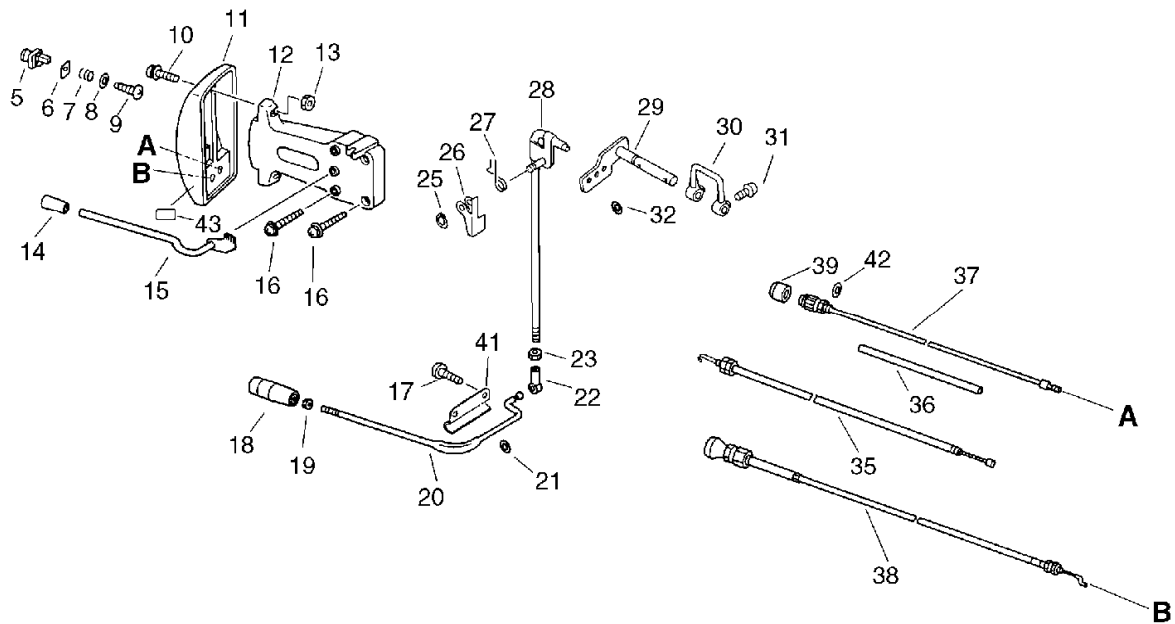
No.6



KEY	LV	PART NUMBER	Q'TY	DESCRIPTION	REMARKS	NOTE1	NOTE2
1		300010-07310	1	FRAME, BACKPACK		Sus. by 300010-07311	
1		300010-07311	1	FRAME, BACKPACK			
2		200910-06210	2	CUSHION			
3		200916-03210	2	CUSHION			
4		250916-06210	4	NUT			
5		300111-14010	1	CUSHION, KNAPSACK			
6		300333-06160	4	CLIP			
7		300300-07410	2	HARNESS, BACKPACK		Sus. by 300302-07410	
7		300302-07410	2	HARNESS, W/PAD			
9	+	900216-05016	2	SCREW, 5*16	5*16		
10	+	300328-03210	4	WASHER, HARNESS			
11	+	900560-00005	2	NUT, LOCK 5	5		
12		250924-06210	2	BAND, CHEM. TANK			
13		900286-05016	2	SCREW 5*16 SUS	5*16 SUS		
14		169310-06710	1	CASE, BATTERY		Sus. by 169310-06711	
14		169310-06711	1	HOLDER, BATTERY			
15		880850-06310	1	TAPE, MAGIC			
16		131911-03460	2	WASHER			

7. Control Lever

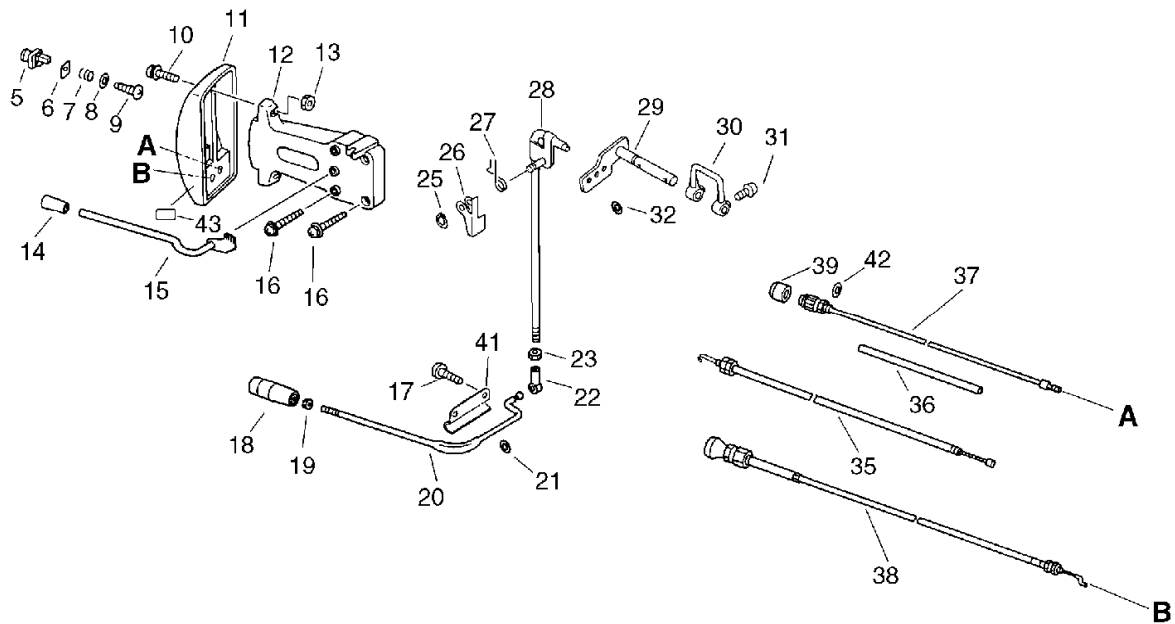
No.7



KEY	LV	PART NUMBER	Q'TY	DESCRIPTION	REMARKS	NOTE1	NOTE2
5		701027-06210	1	STOPPER, DIAL		Sus. by 701027-06211	
5		701027-06211	1	STOPPER, DIAL		Sus. by 701027-06212	
5		701027-06212	1	STOPPER, DIAL			
6		701114-06210	1	PLATE, EYE			
7		701016-06210	1	SPRING			
8		701017-06210	1	WASHER			
9		900296-04012	1	SCREW 4*12	4*12 SUS		
10		900292-05025	2	SCREW 5*25	5*25 SUS		
11		701111-06210	1	DIAL		Sus. by 701111-06212	
11		701111-06211	1	DIAL		Sus. by 701111-06212	
11		701111-06212	1	DIAL			
12		900504-00005	2	NUT 5B	5B		
13		701112-06210	1	BRACKET, DIAL			
14		701021-02910	1	KNOB, LEVER			
15		178005-06410	1	LEVER, THROTTLE		Sus. by 178005-06411	
15		178005-06411	1	LEVER, THROTTLE			
16		900286-05025	4	SCREW 5*25	SUS	5*25 SUS	
17		900286-05016	2	SCREW 5*16	SUS	5*16 SUS	
18		701007-06610	1	KNOB, LEVER			
19		900502-00006	1	NUT 6 (3N)	3N6		
20		701010-06610	1	LEVER, CONTROL			

7. Control Lever

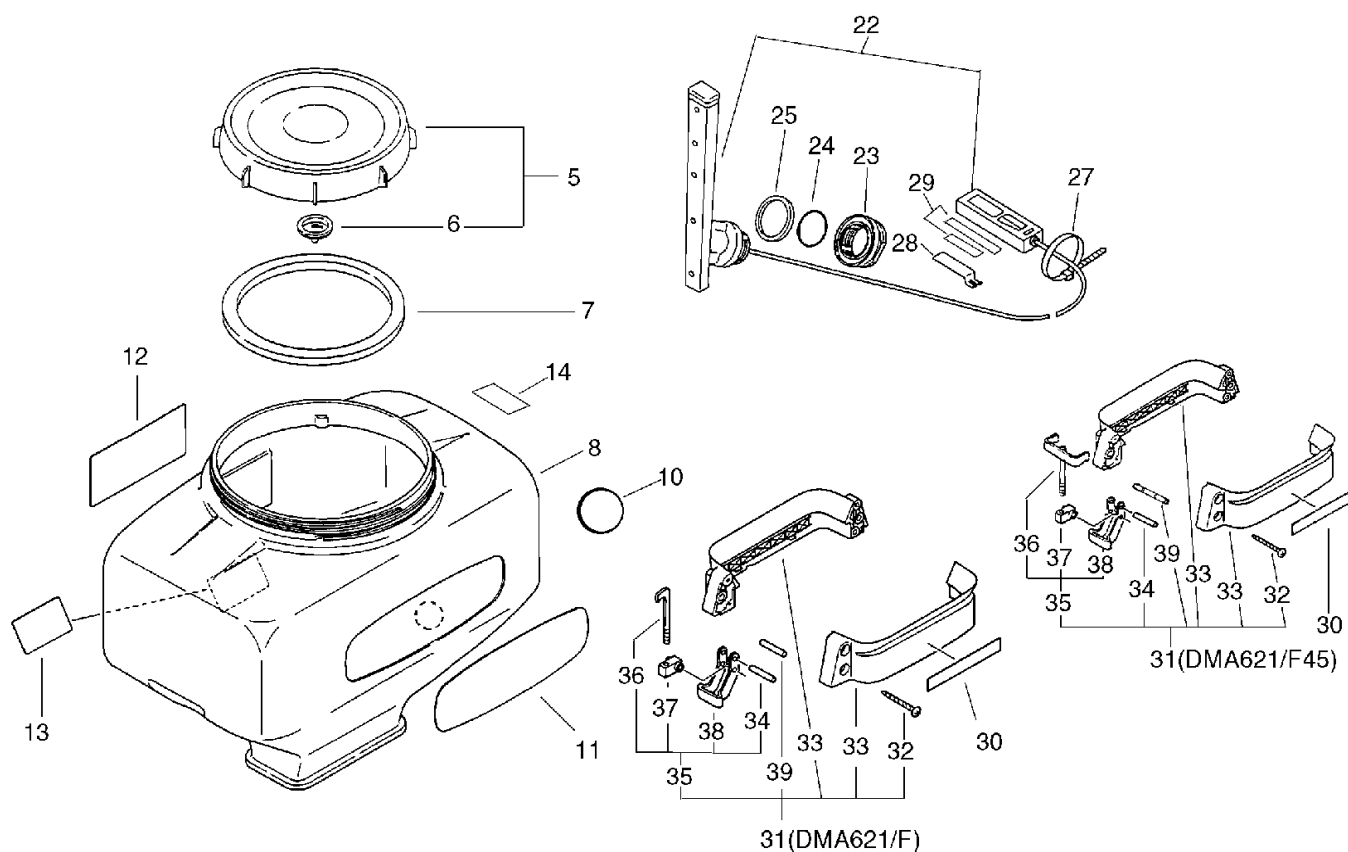
No.7



KEY	LV	PART NUMBER	Q'TY	DESCRIPTION	REMARKS	NOTE1	NOTE2
21		900600-00008	1	WASHER 8	8		
22		701020-05510	1	CONNECTOR			
23		900500-00005	1	NUT 5	5		
25		900703-00003	1	E-RING 3	CE-3 SUS		
26		701038-07210	1	PLATE, ANGLE			
27		701039-07210	1	SPRING			
28		701014-07310	1	ROD, CONTROL LEVER	279L		
29		270205-07311	1	SHAFT, SHUTTER			
30		270216-06210	1	ARM			
31		900292-04014	2	SCREW 4*14	4*14 SUS		
32		900720-00007	1	O-RING 7	P-7		
35		178001-05510	1	WIRE, THROTTLE			
36		178016-07130	1	TUBE	8*9*140	Nil	
37		166101-10220	1	SWITCH			
38		175504-06310	1	CABLE, CONTROL			
39		163910-06310	1	COVER, SWITCH			
41		701028-06210	1	HOLDER, STOPPER			
42		433015-00130	1	WASHER	8.2*12*1T		
43		890026-00310	1	LABEL, CHOKE		Sus. by 890026-00311	
43		890026-00311	1	LABEL, CHOK			

8. Chemical Tank

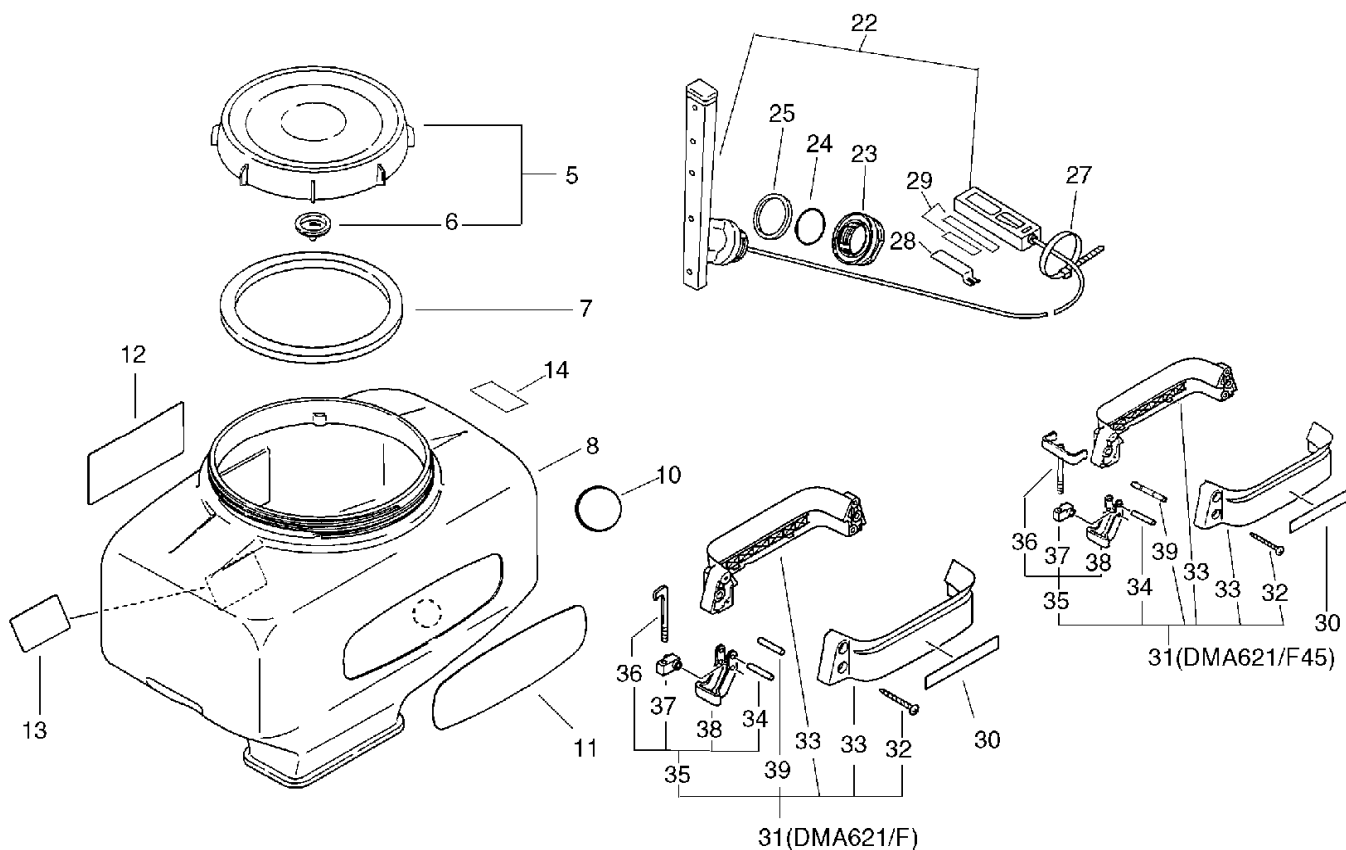
No.8



KEY	LV	PART NUMBER	Q'TY	DESCRIPTION	REMARKS	NOTE1	NOTE2
5		250001-05510	1	CAP, CHEMICAL TANK			
6	+	250013-00310	1	CAP, INSIDE			
7		250011-02011	1	PACKING			
8		250017-06210	1	TANK, CHEMICAL (26L)		Sus. by 250010-06212	
8		250010-06210	1	TANK, CHEMICAL (26L)		Sus. by 250010-06212	
8		250017-06211	1	TANK, CHEMICAL (26L)		Sus. by 250010-06212	
8		250017-06212	1	TANK, CHEMICAL	26L	DMA621F	
8		250010-06211	1	TANK, CHEMICAL (26L)		Sus. by 250010-06212	
8		250010-06212	1	TANK, CHEMICAL	26L	DMA621FS	
8		250017-06310	1	TANK, CHEMICAL (45L)		Sus. by 250017-06312	
8		250017-06311	1	TANK, CHEMICAL (45L)		Sus. by 250017-06312	
8		250017-06312	1	TANK, CHEMICAL (45L)		Sus. by 250017-06313	
8		250017-06313	1	TANK, CHEMICAL	45L	DMA621FS45S	
10		890035-06210	1	LABEL, EYE CATCHER			
11		890012-10510	1	LABEL, KIORITZ		Sus. by 890012-07510	
11		890012-07510	1	LABEL, KIORITZ			
12		890081-07310	1	LABEL, CAUTION			

8. Chemical Tank

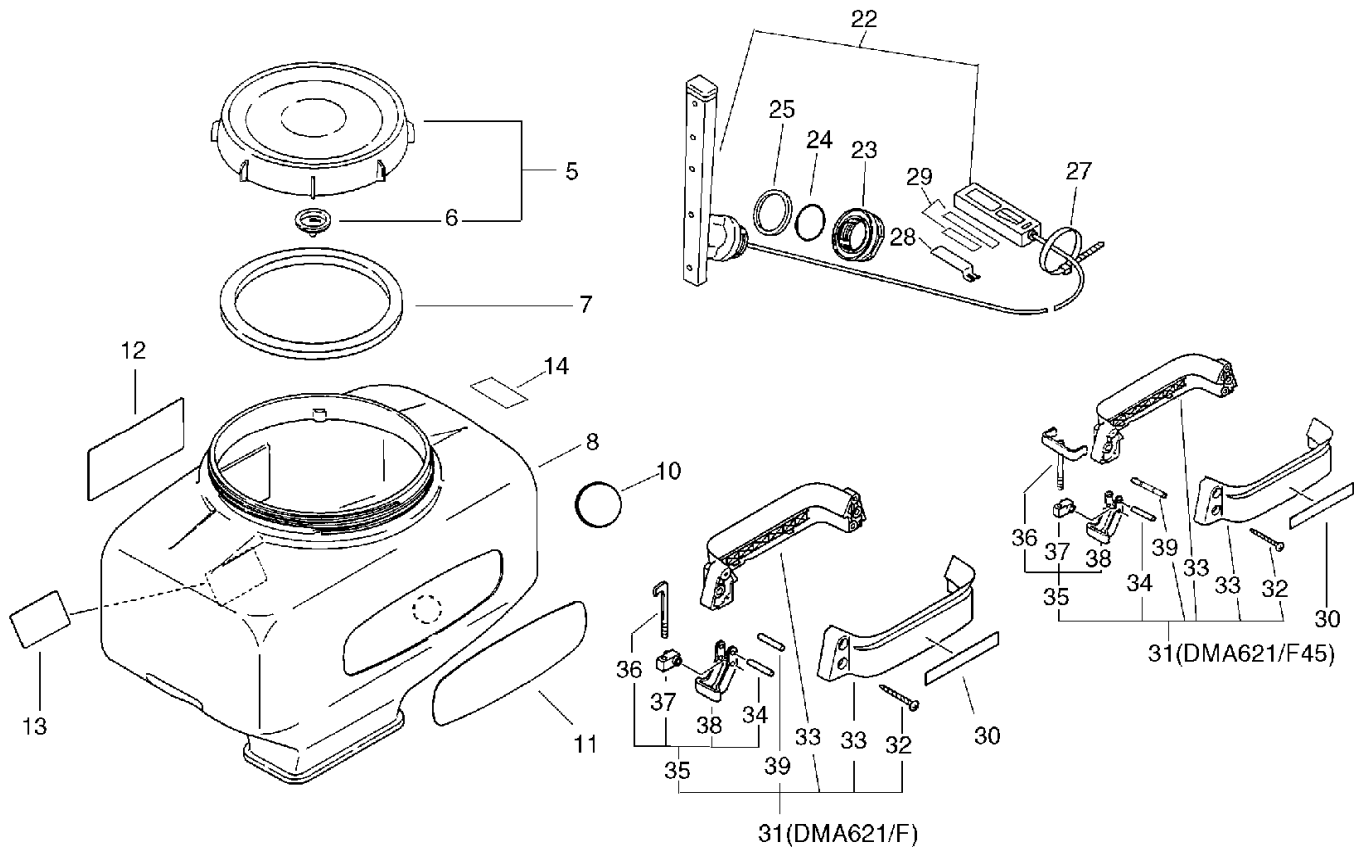
No.8



KEY	LV	PART NUMBER	Q'TY	DESCRIPTION	REMARKS	NOTE1	NOTE2
13		890016-07010	1	LABEL, CAUTION		Sus. by 890016-07011	
13		890016-07011	1	LABEL, CAUTION			
14		890016-06210	1	LABEL, CAUTION		Sus. by 890016-06213	
14		890016-06211	1	LABEL, CAUTION		Sus. by 890016-06213	
14		890016-06212	1	LABEL, CAUTION		Sus. by 890016-06213	
14		890016-06213	1	LABEL, CAUTION			
22		250006-05510	1	LEVEL GAUGE ASSY			
23		250046-04710	1	NUT			
24		900720-00038	1	O-RING (P-38)	P-38		
25		250045-04710	1	PACKING			
27		250052-04710	1	BAND (BL)			
28		250053-05110	1	BRACKET			
29		880850-05110	1	TAPE, MAGIC			
30		890065-07310	1	LABEL, MODEL		Sus. by 890065-07311	
30		890065-07311	1	LABEL, MODEL			
31		270000-06210	1	HOLDER SET		DMA621F/FS	
32	+	900286-05035	4	SCREW 5*35	5*35 SUS		
33	+	250910-06210	2	HOLDER, C. TANK			
39	+	250914-03210	2	PIN, TANK HOLDER			
35	+	250902-06210	2	BRACKET CONNECTOR			
36	+	250915-06211	2	BOLT, TANK HOLDER			

8. Chemical Tank

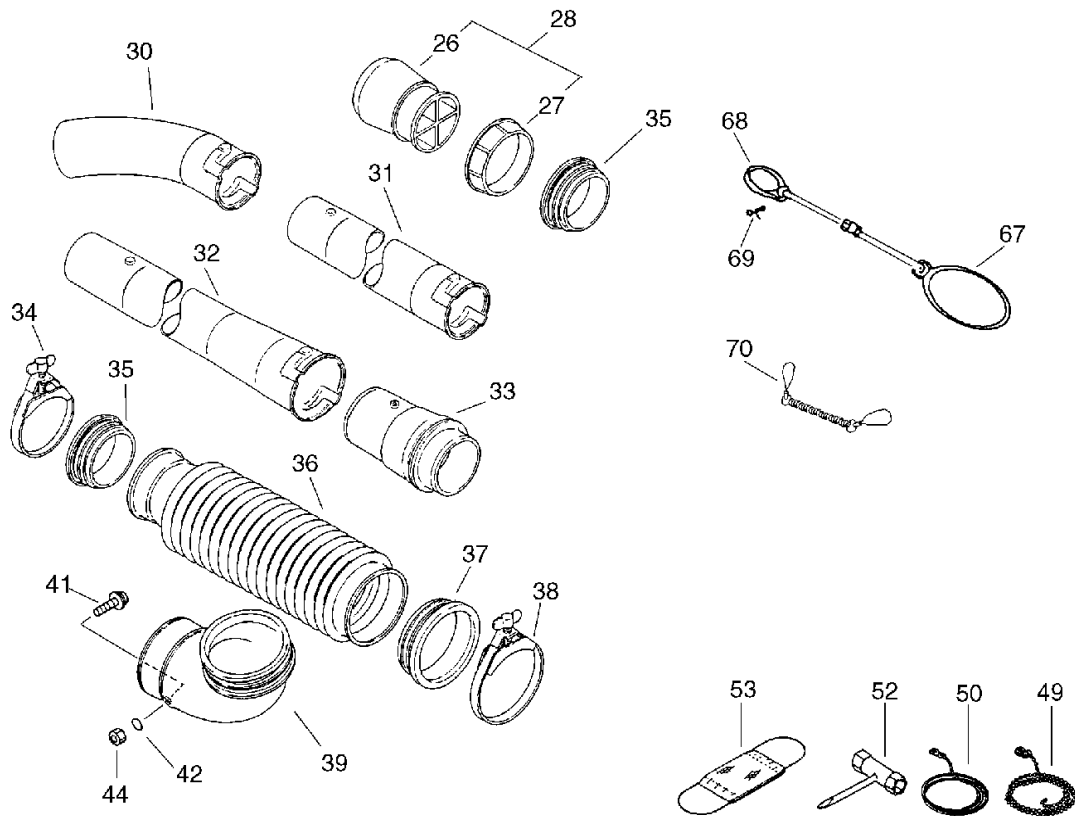
No.8



KEY	LV	PART NUMBER	Q'TY	DESCRIPTION	REMARKS	NOTE1	NOTE2
37	+	250930-06210	2	CONNECTOR, BRACKET			
38	+	250932-06210	2	BRACKET, TANK			
34	+	900333-70380	2	PIN, STRAIGHT			
31		270000-06310	1	HOLDER ASSY, C.TANK		DMA621F45S	
32	+	900286-05035	4	SCREW 5*35	5*35 SUS		
33	+	250910-06310	2	HOLDER, C. TANK			
39	+	250914-06210	2	PIN, TANK HOLDER			
35	+	250902-06310	2	BRACKET ASSY, C.TANK			
36	+	250915-06310	2	BOLT, TANK HOLDER			
37	+	250930-06210	2	CONNECTOR, BRACKET			
38	+	250932-06210	2	BRACKET, TANK			
34	+	900333-70380	2	PIN, STRAIGHT			

9. Dust Blower, Tools

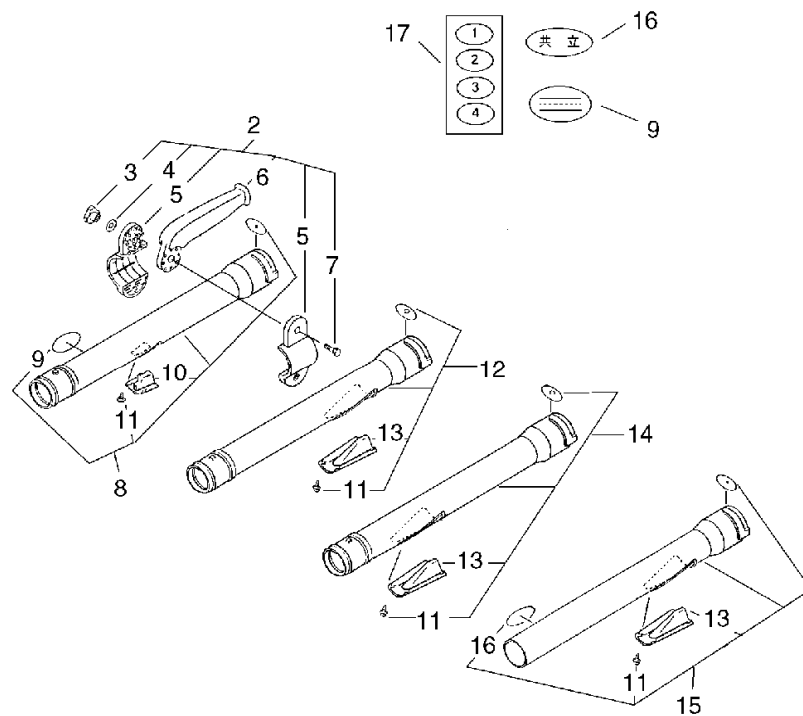
No.9



KEY	LV	PART NUMBER	Q'TY	DESCRIPTION	REMARKS	NOTE1	NOTE2
28		220105-01610	1	CONNECTER KIT			
26	+	220028-01611	1	CONNECTOR			
27	+	220033-01610	1	NUT, HOLLOW			
30		210023-05510	1	PIPE, CURVED			
31		210015-05510	1	PIPE, STRAIGHT			
32		210014-05510	1	PIPE, STRAIGHT			
33		210002-04110	1	PIPE, SWIVEL (BL)		Sus. by 210002-04111	
33		210002-04111	1	PIPE, SWIVEL	BL		
34		210407-01110	1	CLAMP, FLEXIBLE PIPE			
35		210032-04110	2	PACKING, FLX. PIPE			
36		210013-04111	1	PIPE, FLEXIBLE			
37		210036-04110	1	GASKET, FLX. PIPE			
38		210407-04110	1	CLAMP, FLEXIBLE PIPE			
39		210011-05510	1	ELBOW, BLOWING			
41		900292-05014	1	SCREW 5*14	5*14 SUS		
42		900720-00004	1	O-RING (P-4)	P-4		
44		900504-00005	1	NUT 5B	5B		
49		898537-02910	1	CHAIN, GRAUND	リード センツキ		
50		898552-02910	1	GRAUND LEAD			
52		895410-03930	1	WRENCH, W/S. DRIVER			
53		898544-01111	1	MASK			
67		300500-04110	1	STRAP ASS'Y			
68	+	210400-00660	1	CLAMP W/SCREW			
69	+	900220-05035	1	SCREW 5*35	5*35		
70		V451-000410	1	SPRING, TENSION			

10. Spreading Nozzle

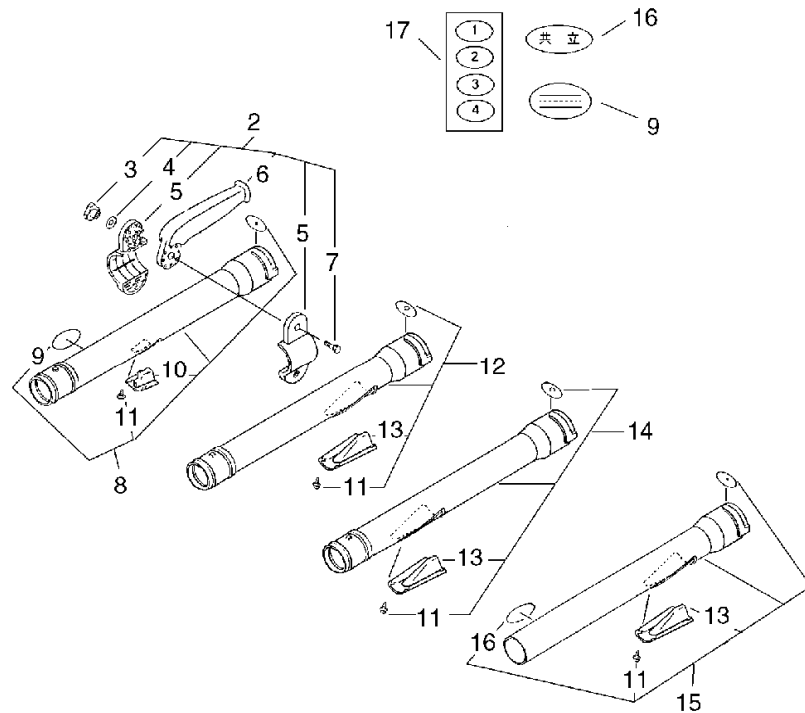
No.10



KEY	LV	PART NUMBER	Q'TY	DESCRIPTION	REMARKS	NOTE1	NOTE2
		211400-06810	1	NOZZLE ASSY DMK-1		Sus. by P021-003471	
		P021-003471	1	NOZZLE ASY DMK-2	DMK-2		
2		351002-06810	1	HANDLE KIT DMK-1			
3	+	352325-06810	2	KNOB, FASTENER		Sus. by 352325-06910	
3	+	352325-06910	2	KNOB, FASTENER			
4	+	900630-00006	2	WASHER 6.5*16*2T	6.5*16*2T		
5	+	351028-06810	2	BRACKET, HANDLE			
6	+	305811-06810	1	HANDLE, FRONT			
7	+	900104-06030	2	BOLT 6*30 SUS	6*30 SUS		
8		211405-06810	1	NOZZLE DMK-1 NO.1	DMK-1 NO.1	Sus. by P021-003620	
8		P021-003620	1	NOZZLE DMK-2 NO.1			
9	+	890068-06510	1	LABEL, MODEL		Sus. by X503-003050	
9	+	890068-06511	1	LABEL, BRAND		Sus. by X503-003050	
9	+	X503-003050	1	LABEL,MODEL	DMK-2		
10	+	211413-06810	1	PLATE, GUIDE	DMK-1	Sus. by E287-000010	
10	+	211413-06811	1	PLATE, GUIDE		Sus. by E287-000010	
10	+	E287-000010	1	GUIDE,BLOW HEAD			
11	+	900294-03006	4	SCREW 3*6	3*6		

10. Spreading Nozzle

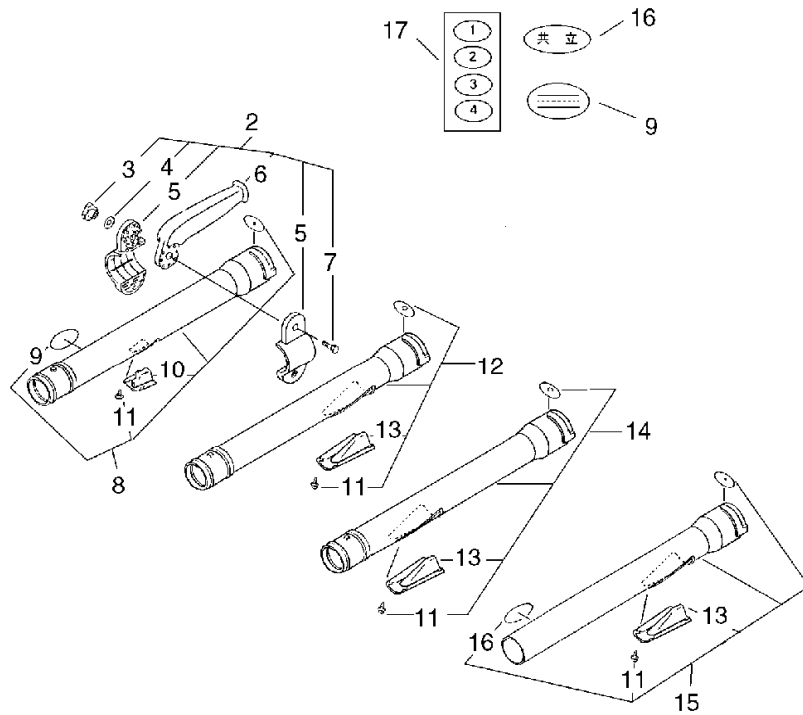
No.10



KEY	LV	PART NUMBER	Q'TY	DESCRIPTION	REMARKS	NOTE1	NOTE2
12		211406-06810	1	NOZZLE DMK-1 NO.2	DMK-1 NO.2	Sus. by P021-003630	
12		P021-003630	1	NOZZLE DMK-2 NO.2			
11	+	900294-03006	4	SCREW 3*6	3*6		
13	+	211414-06810	1	PLATE, GUIDE	DMK-1	Sus. by E287-000000	
13	+	211414-06811	1	PLATE, GUIDE		Sus. by E287-000000	
13	+	E287-000000	1	GUIDE BLOW HEAD			
14		211406-06910	1	NOZZLE DMK-1 NO.3	DMK-1 NO.3	Sus. by P021-003630	
14		P021-003630	1	NOZZLE DMK-2 NO.2			
11	+	900294-03006	4	SCREW 3*6	3*6		
13	+	211414-06810	1	PLATE, GUIDE	DMK-1	Sus. by E287-000000	
13	+	211414-06811	1	PLATE, GUIDE		Sus. by E287-000000	
13	+	E287-000000	1	GUIDE BLOW HEAD			
15		211407-06810	1	NOZZLE DMK-1 NO.4	DMK-1 NO.4	Sus. by P021-003650	
15		P021-003650	1	NOZZLE DMK-2 NO.4			
11	+	900294-03006	4	SCREW 3*6	3*6		
13	+	211414-06810	1	PLATE, GUIDE	DMK-1	Sus. by E287-000000	
13	+	211414-06811	1	PLATE, GUIDE		Sus. by E287-000000	

10. Spreading Nozzle

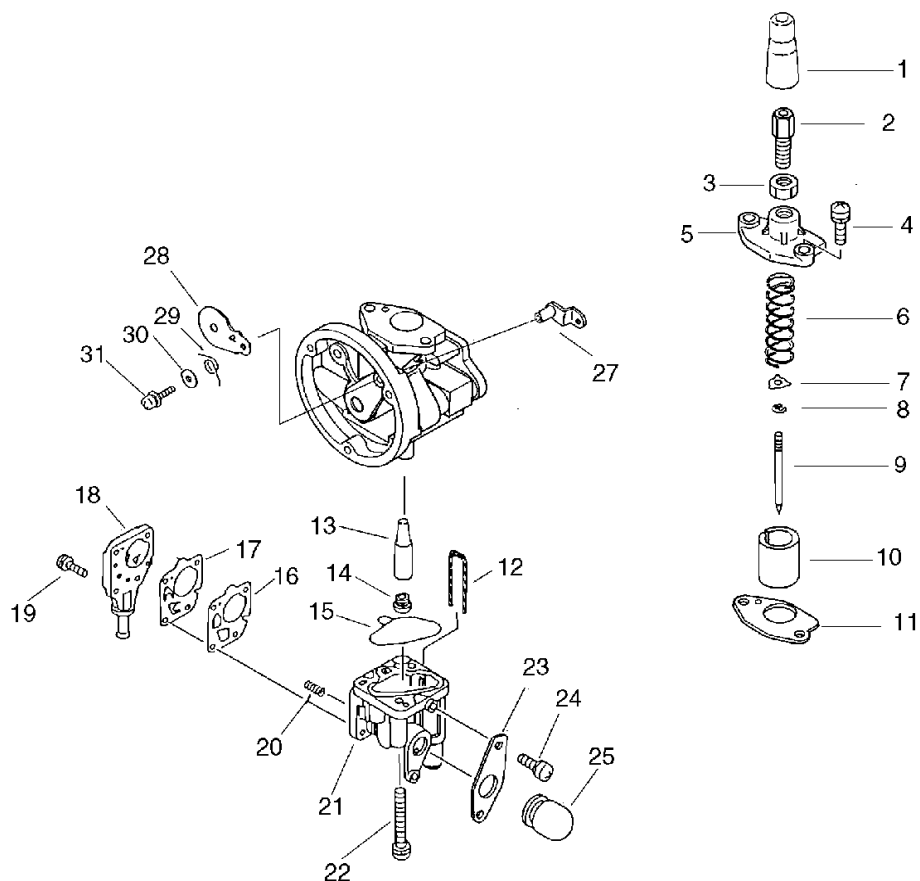
No.10



KEY	LV	PART NUMBER	Q'TY	DESCRIPTION	REMARKS	NOTE1	NOTE2
13	+	E287-000000	1	GUIDE,BLOW HEAD			
16	+	890012-03310	1	LABEL, KIORITZ		Sus. by X524-000820	
16	+	890012-12710	1	LABEL, KIORITZ	52*195	Sus. by X524-000820	
16	+	X524-000820	1	LABEL	DMK-2		
17		890991-06810	1	LABEL		Sus. by X524-000820	
17		X524-000820	1	LABEL	DMK-2		

11. Carburetor

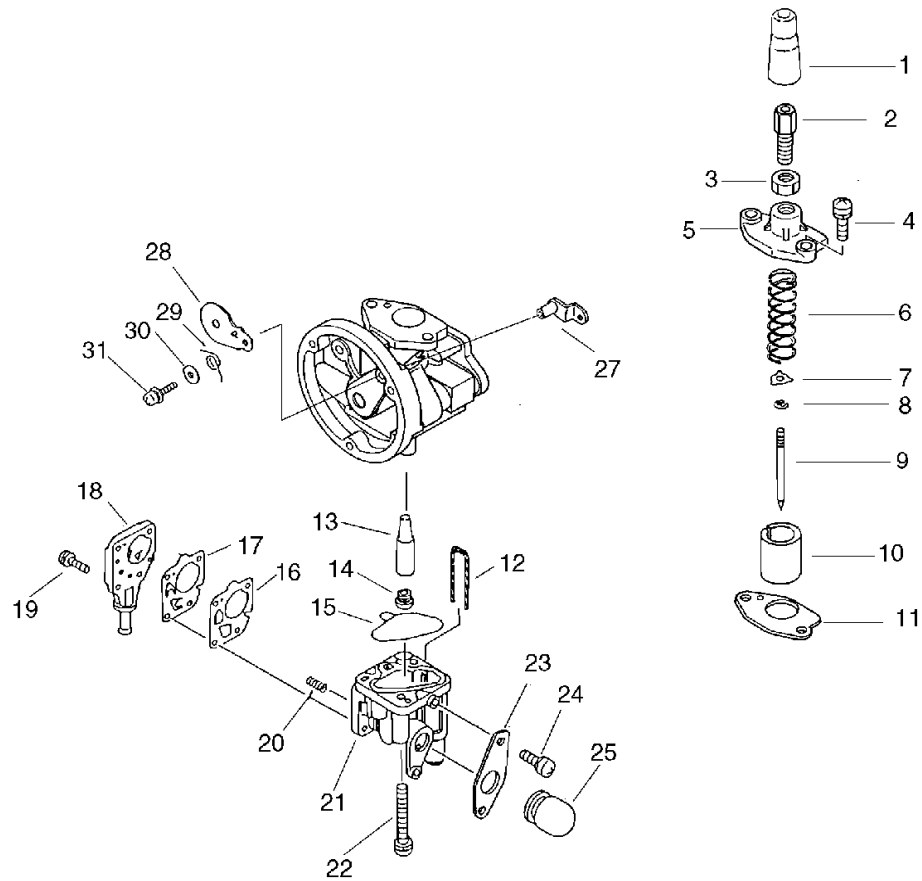
No.11



KEY	LV	PART NUMBER	Q'TY	DESCRIPTION	REMARKS	NOTE1	NOTE2
		124200-06310	1	CARBURETOR ASSY	K15PR-5D	K15PR-5D	
1	+	124174-11120	1	CAP			
2	+	124158-05510	1	ADJUSTER			
3	+	124111-05510	1	NUT			
4	+	900241-04014	2	SCREW 4*14	4*14		
5	+	124113-05510	1	COVER, TOP			
6	+	124114-05510	1	SPRING, THROTTLE			
7	+	124115-05510	1	SEAT, SPRING			
8	+	124116-05530	1	E-RING			
9	+	124117-05610	1	NEEDLE, JET			
10	+	124118-05510	1	VALVE, THROTTLE			
11	+	124172-05511	1	GASKET, BODY TOP			
12	+	124182-05510	1	WIRE, DRAIN			
13	+	124162-05510	1	JET, NEEDLE			
14	+	124122-05510	1	JET, MAIN			
15	+	124123-05510	1	GASKET, CHAMBER			
16	+	124363-21330	1	GASKET, PUMP DIAPH.			
17	+	124364-05510	1	DIAPHRAGM, FUEL PUMP			
18	+	124365-05510	1	COVER, PUMP			
19	+	900241-03010	4	SCREW 3*10 (W/SW)	3*10		
20	+	124367-21330	2	SPRING, COIL			
21	+	124124-05910	1	CHANBER			
22	+	900241-04030	2	SCREW 4*30 (W/SW)	4*30		
23	+	124163-05510	1	PLATE			
24	+	900241-04008	2	SCREW 4*8	4*8		
25	+	124381-05511	1	CAP			

11. Carburetor

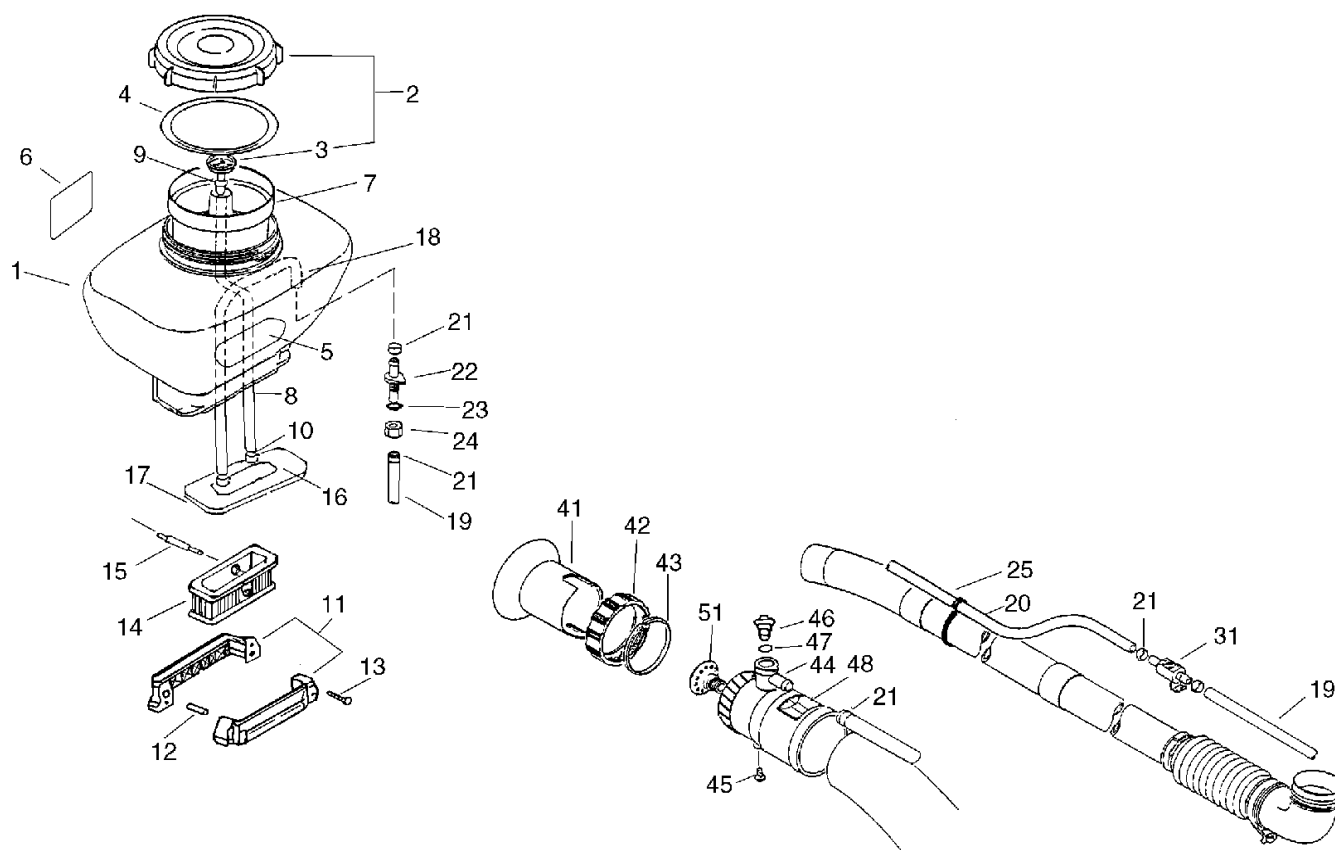
No.11



KEY	LV	PART NUMBER	Q'TY	DESCRIPTION	REMARKS	NOTE1	NOTE2
27	+	124141-05510	1	LEVER, CHOKE ASSY			
28	+	124143-05510	1	PLATE, CHOKE			
29	+	124140-05510	1	SPRING			
30	+	124156-05510	1	WASHER	3*10*0.5T		
31	+	900220-03010	1	SCREW 3*10	3*10		

12. Mist Blower

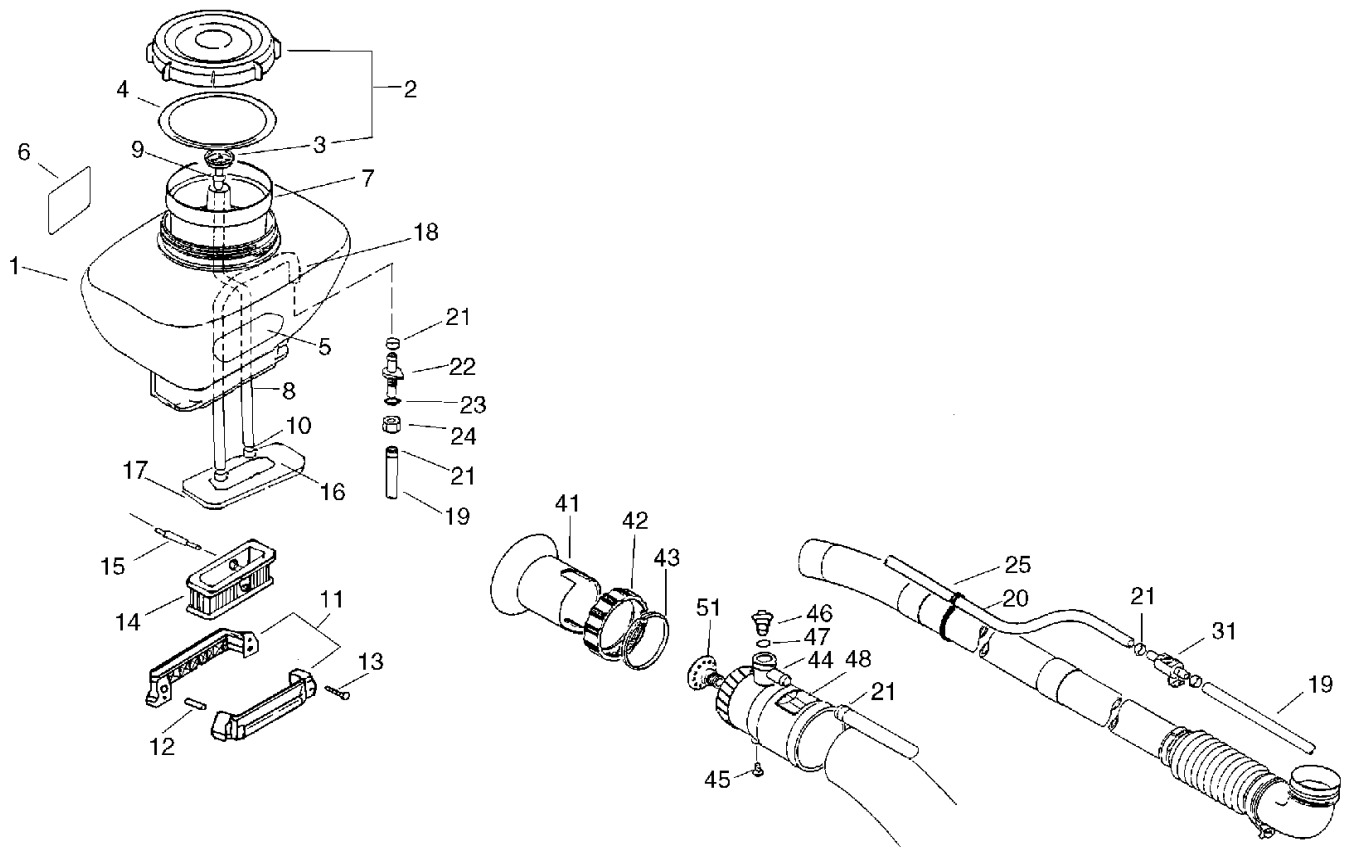
No.12



KEY	LV	PART NUMBER	Q'TY	DESCRIPTION	REMARKS	NOTE1	NOTE2
1		250010-06310	1	TANK, CHEMICAL (13L)			
1		250017-06510	1	TANK, CHEMICAL (23L)		Sus. by 250002-06510	
1		250002-06510	1	TANK KIT, CHEMICAL	23L		
2		250001-05510	1	CAP, CHEMICAL TANK			
3	+	250013-00310	1	CAP, INSIDE			
4		250011-02011	1	PACKING			
5		890012-03310	1	LABEL, KIORITZ		Sus. by 890012-12710	
5		890012-12710	1	LABEL, KIORITZ	52*195		
5		890012-10510	1	LABEL, KIORITZ		Sus. by 890012-07510	
5		890012-07510	1	LABEL, KIORITZ			
6		890031-06210	1	LABEL, MIST			
7		254210-03210	1	FILTER			
8		363014-00310	1	PIPE (INNER)	7*11*400BL	13L	
8		363014-03210	1	PIPE (INNER)	7*11*500BL	23L	
9		363023-01110	1	CLIP			
10		357013-00210	1	CLIP 11	11≧J	Sus. by 132013-14010	
10		132013-14010	1	BAND	10.5MM		
11		250910-06210	2	HOLDER, C. TANK			
12		250914-03210	2	PIN, TANK HOLDER			
13		900286-05035	4	SCREW 5*35	5*35 SUS		
14		270010-06210	1	TANK, LOWER		Sus. by 270010-06211	

12. Mist Blower

No.12



KEY	LV	PART NUMBER	Q'TY	DESCRIPTION	REMARKS	NOTE1	NOTE2
14		270010-06211	1	TANK, LOWER			
15		701033-06210	1	PIN, STRAIGHT 10		Sus. by 701033-06211	
15		701033-06211	1	PIN, STRAIGHT 10			
16		253010-06210	1	PLATE, BASE			
17		270119-06210	1	GASKET, SHUTTER			
18		355011-01110	1	PIPE	13*9*350L		
19		357032-01110	1	PIPE (L-720)	9*13*720		
20		357012-01110	1	PIPE (L-1050)	9*13*1050		
21		357023-01110	5	CLIP 13			
22		357010-01110	1	NIPPLE, OUTLET			
23		357014-01110	1	O-RING	3*13		
24		357015-01110	1	NUT, HOLLOW			
25		357911-00110	1	CLIP, PIPE			
31		358100-01110	1	VALVE ASS'Y, PIPE			
		212500-01111	1	NOZZLE ASS'Y, MISTBL			
41	+	212515-01110	1	COLLAR, NOZZLE			
42	+	212514-01110	1	NUT, MISTING NOZZLE			
43	+	212513-01110	1	RING, MISTING NOZZLE			
44	+	212501-01111	1	HEAD, NOZZLE BL	BL		
45	+	212511-01110	1	SCREW, MIST. NOZZLE			
46	+	212516-01110	1	VALVE, MISTING			
47	+	900720-00012	1	O-RING 12	P-12		
48	+	890031-01110	1	LABEL, MIST			
51	+	222000-01110	1	NOZZLE			

Index

Patrs Number	Key No.	Patrs Number	Key No.	Patrs Number	Key No.
100000-06210	1 - 11	130017-06210	3 - 18	160020-06310	5 - 33
100011-32330	1 - 12	130310-02910	3 - 32	160301-06310	2 - 11
100012-12330	1 - 31	130311-03710	3 - 33	160305-06310	2 - 40
100012-12331	1 - 31	130313-03710	3 - 34	160305-56430	2 - 40
100013-06210	1 - 13	130314-05510	3 - 28	160306-06310	2 - 38
100015-00120	1 - 14	130317-03710	3 - 31	160353-06310	2 - 27
100100-06210	1 - 30	130319-03710	3 - 30	160510-06310	2 - 9
100204-06310	1 - 18	130320-05510	3 - 25	160511-06310	2 - 10
100204-06311	1 - 18	130410-05510	3 - 20	160515-06310	2 - 41
100213-00310	1 - 24	131003-05330	3 - 6	160601-06310	2 - 37
100213-00310	1 - 24	131004-06210	3 - 5	160612-06210	2 - 6
100213-02830	1 - 21	131004-07132	3 - 5	160612-06310	2 - 5
100215-03930	1 - 19	131005-06310	3 - 8	160616-06310	2 - 39
100242-10721	1 - 22	131005-06311	3 - 8	160617-06310	2 - 36
101010-06211	1 - 10	131005-06312	3 - 8	161300-06310	5 - 32
101011-06310	1 - 6	131005-06313	3 - 8	161310-48130	5 - 16
101514-06210	1 - 3	131016-21060	3 - 7	162080-06311	5 - 31
101576-06210	1 - 8	131016-21230	3 - 7	163910-06310	7 - 39
104016-06410	1 - 34	131205-05630	3 - 13	166101-10220	7 - 37
124111-05510	11 - 3	131911-03460	6 - 16	169310-06710	6 - 14
124113-05510	11 - 5	132001-05510	3 - 14	169310-06711	6 - 14
124114-05510	11 - 6	132010-06210	3 - 27	175504-06310	7 - 38
124115-05510	11 - 7	132010-06410	3 - 27	177200-06311	2 - 20
124116-05530	11 - 8	132010-06530	3 - 16	177202-06310	2 - 13
124117-05610	11 - 9	132010-35430	3 - 10	177210-06310	2 - 15
124118-05510	11 - 10	132013-05060	3 - 15	177214-06310	2 - 22
124122-05510	11 - 14	132013-14010	12 - 10	177215-06310	2 - 31
124123-05510	11 - 15	132013-14010	3 - 26	177216-06310	2 - 23
124124-05910	11 - 21	132013-26630	3 - 12	177218-06210	2 - 17
124140-05510	11 - 29	132115-12330	3 - 11	177218-06310	2 - 29
124141-05510	11 - 27	145510-06210	5 - 41	177220-06310	2 - 35
124143-05510	11 - 28	145510-06211	5 - 41	177226-06310	2 - 32
124156-05510	11 - 30	145512-06210	1 - 4	177227-42030	2 - 33
124158-05510	11 - 2	145512-06211	1 - 4	177228-11120	2 - 34
124162-05510	11 - 13	145610-06210	5 - 42	177232-06310	2 - 19
124163-05510	11 - 23	145610-06211	5 - 42	177233-06310	2 - 26
124172-05511	11 - 11	145610-06212	5 - 42	177234-05960	2 - 16
124174-11120	11 - 1	145642-00760	3 - 40	177234-06310	2 - 30
124182-05510	11 - 12	150112-00310	1 - 27	177234-42030	2 - 18
124200-06310	11 -	150114-04920	5 - 18	177236-06310	2 - 21
124200-06310	3 - 23	150114-06310	2 - 12	177239-06310	2 - 24
124363-21330	11 - 16	150614-02910	1 - 29	177262-06310	2 - 25
124364-05510	11 - 17	156601-06211	5 - 10	178001-05510	7 - 35
124365-05510	11 - 18	156611-04260	5 - 12	178005-06410	7 - 15
124367-21330	11 - 20	156800-06211	5 - 8	178005-06411	7 - 15
124381-05511	11 - 25	159010-19630	5 - 15	178016-07130	7 - 36
130010-06210	3 - 17	159011-03432	5 - 14	200005-06210	5 - 6
130016-05510	3 - 19	159012-03433	5 - 13	200105-06210	4 - 30
130016-06211	1 - 9	159129-08260	1 - 25	200105-06310	4 - 30

Index

Patrs Number	Key No.	Patrs Number	Key No.	Patrs Number	Key No.
200107-06210	4 - 20	250010-06310	12 - 1	270153-06210	4 - 13
200107-06310	4 - 20	250011-02011	12 - 4	270205-07311	7 - 29
200910-06210	6 - 2	250011-02011	8 - 7	270216-06210	7 - 30
200916-03210	6 - 3	250013-00310	12 - 3	275100-06312	4 - 5
210002-04110	9 - 33	250013-00310	8 - 6	275100-06313	4 - 5
210002-04111	9 - 33	250017-06210	8 - 8	275100-06314	4 - 5
210011-05510	9 - 39	250017-06211	8 - 8	275106-06310	4 - 11
210013-04111	9 - 36	250017-06212	8 - 8	275106-06311	4 - 11
210014-05510	9 - 32	250017-06310	8 - 8	275106-06410	4 - 11
210015-05510	9 - 31	250017-06311	8 - 8	275123-05510	4 - 12
210023-05510	9 - 30	250017-06312	8 - 8	300010-07310	6 - 1
210032-04110	9 - 35	250017-06313	8 - 8	300010-07311	6 - 1
210035-06310	4 - 31	250017-06510	12 - 1	300029-06310	2 - 47
210036-04110	9 - 37	250045-04710	8 - 25	300111-14010	6 - 5
210400-00660	9 - 68	250046-04710	8 - 23	300300-07410	6 - 7
210407-01110	9 - 34	250052-04710	8 - 27	300302-07410	6 - 7
210407-04110	9 - 38	250053-05110	8 - 28	300328-03210	6 - 10
210425-04110	4 - 21	250110-06212	4 - 8	300333-06160	6 - 6
211400-06810	10 -	250902-06210	8 - 35	300500-04110	9 - 67
211405-06810	10 - 8	250902-06310	8 - 35	305811-06810	10 - 6
211406-06810	10 - 12	250910-06210	12 - 11	351002-06810	10 - 2
211406-06910	10 - 14	250910-06210	8 - 33	351028-06810	10 - 5
211407-06810	10 - 15	250910-06310	8 - 33	352325-06810	10 - 3
211413-06810	10 - 10	250914-03210	12 - 12	352325-06910	10 - 3
211413-06811	10 - 10	250914-03210	8 - 39	355011-01110	12 - 18
211414-06810	10 - 13	250914-06210	8 - 39	357010-01110	12 - 22
211414-06810	10 - 13	250915-06211	8 - 36	357012-01110	12 - 20
211414-06810	10 - 13	250915-06310	8 - 36	357013-00210	12 - 10
211414-06811	10 - 13	250916-06210	6 - 4	357013-00210	3 - 26
211414-06811	10 - 13	250924-06210	6 - 12	357014-01110	12 - 23
211414-06811	10 - 13	250930-06210	8 - 37	357015-01110	12 - 24
212500-01111	12 -	250930-06210	8 - 37	357023-01110	12 - 21
212501-01111	12 - 44	250932-06210	8 - 38	357032-01110	12 - 19
212511-01110	12 - 45	250932-06210	8 - 38	357911-00110	12 - 25
212513-01110	12 - 43	253010-06210	12 - 16	358100-01110	12 - 31
212514-01110	12 - 42	254210-03210	12 - 7	363014-00310	12 - 8
212515-01110	12 - 41	270000-06210	8 - 31	363014-03210	12 - 8
212516-01110	12 - 46	270000-06310	8 - 31	363023-01110	12 - 9
220028-01611	9 - 26	270010-06210	12 - 14	370301-06210	4 - 28
220033-01610	9 - 27	270010-06211	12 - 14	370301-06211	4 - 28
220105-01610	9 - 28	270010-06211	4 - 24	370316-06210	4 - 27
222000-01110	12 - 51	270015-06211	4 - 9	370321-06210	4 - 26
250001-05510	12 - 2	270018-06210	4 - 25	433015-00130	7 - 42
250001-05510	8 - 5	270110-06210	4 - 15	701007-06610	7 - 18
250002-06510	12 - 1	270112-06210	4 - 16	701010-06610	7 - 20
250006-05510	8 - 22	270112-06211	4 - 16	701014-07310	7 - 28
250010-06210	8 - 8	270119-06210	12 - 17	701016-06210	7 - 7
250010-06211	8 - 8	270119-06210	4 - 17	701017-06210	7 - 8
250010-06212	8 - 8	270122-06211	4 - 35	701020-05510	7 - 22

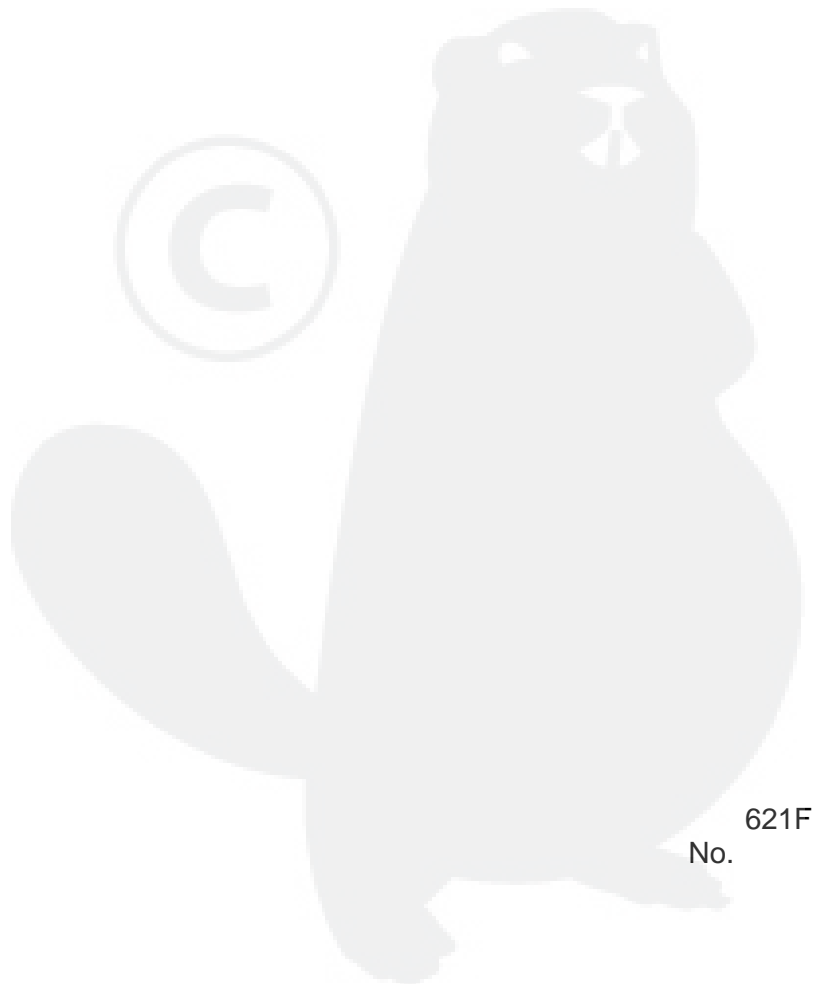
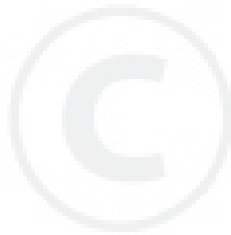
Index

Patrs Number	Key No.	Patrs Number	Key No.	Patrs Number	Key No.
701021-02910	7 - 14	898537-02910	9 - 49	900502-00006	7 - 19
701027-06210	7 - 5	898544-01111	9 - 53	900504-00005	4 - 29
701027-06211	7 - 5	898552-02910	9 - 50	900504-00005	7 - 12
701027-06212	7 - 5	900104-06030	10 - 7	900504-00005	9 - 44
701028-06210	7 - 41	900105-06020	5 - 43	900539-00005	4 - 7
701033-06210	12 - 15	900148-05035	5 - 7	900560-00005	6 - 11
701033-06211	12 - 15	900162-04030	2 - 45	900600-00004	2 - 8
701038-07210	7 - 26	900162-05020	1 - 5	900600-00008	7 - 21
701039-07210	7 - 27	900216-05016	6 - 9	900600-00010	2 - 4
701111-06210	7 - 11	900220-03010	11 - 31	900602-00010	5 - 5
701111-06211	7 - 11	900220-05035	9 - 69	900603-00005	3 - 43
701111-06212	7 - 11	900220-06014	3 - 42	900604-00005	4 - 23
701112-06210	7 - 13	900226-04010	4 - 10	900605-00004	2 - 7
701114-06210	7 - 6	900241-03008	2 - 43	900605-00006	3 - 41
880850-05110	8 - 29	900241-03010	11 - 19	900605-00010	5 - 4
880850-06310	6 - 15	900241-04008	11 - 24	900609-00005	4 - 22
890012-03310	10 - 16	900241-04014	11 - 4	900630-00006	10 - 4
890012-03310	12 - 5	900241-04030	11 - 22	900700-00004	2 - 14
890012-07510	12 - 5	900242-04014	3 - 29	900702-00035	1 - 23
890012-07510	8 - 11	900242-04020	5 - 17	900703-00003	7 - 25
890012-10510	12 - 5	900242-05010	1 - 7	900720-00004	4 - 6
890012-10510	8 - 11	900242-05014	5 - 44	900720-00004	9 - 42
890012-12710	10 - 16	900242-05018	1 - 26	900720-00007	7 - 32
890012-12710	12 - 5	900242-05018	5 - 9	900720-00012	12 - 47
890016-06210	8 - 14	900242-05040	1 - 20	900720-00038	8 - 24
890016-06211	8 - 14	900242-06065	3 - 24	900810-36202	1 - 32
890016-06212	8 - 14	900286-05016	6 - 13	E287-000000	10 - 13
890016-06213	8 - 14	900286-05016	7 - 17	E287-000000	10 - 13
890016-07010	8 - 13	900286-05025	4 - 18	E287-000000	10 - 13
890016-07011	8 - 13	900286-05025	7 - 16	E287-000010	10 - 10
890016-07310	3 - 44	900286-05035	12 - 13	P021-003471	10 -
890026-00310	7 - 43	900286-05035	8 - 32	P021-003620	10 - 8
890026-00311	7 - 43	900286-05035	8 - 32	P021-003630	10 - 12
890031-01110	12 - 48	900292-04014	7 - 31	P021-003630	10 - 14
890031-06210	12 - 6	900292-05014	9 - 41	P021-003650	10 - 15
890035-06210	8 - 10	900292-05020	1 - 35	V451-000410	9 - 70
890050-06310	2 - 48	900292-05025	1 - 28	X503-003050	10 - 9
890053-00462	2 - 46	900292-05025	7 - 10	X505-000860	3 - 44
890053-56330	2 - 46	900294-03006	10 - 11	X524-000820	10 - 16
890065-07310	8 - 30	900294-03006	10 - 11	X524-000820	10 - 17
890065-07311	8 - 30	900294-03006	10 - 11		
890068-06510	10 - 9	900294-03006	10 - 11		
890068-06511	10 - 9	900295-04014	4 - 14		
890081-07310	8 - 12	900296-04012	7 - 9		
890098-06210	4 - 37	900323-03014	1 - 33		
890098-06211	4 - 37	900333-70380	8 - 34		
890187-03710	3 - 35	900333-70380	8 - 34		
890991-06810	10 - 17	900500-00005	7 - 23		
895410-03930	9 - 52	900501-00010	5 - 3		

YAMABIKO CORPORATION

7-2 SUEHIROCHO 1-CHOME, OHME, TOKYO 198-8760, JAPAN
PHONE: 81-428-32-6118. FAX: 81-428-32-6145.

ECHO®



621F
No.